

Stealthbox®

INSTALLATION GUIDE
for the

SB-F-MUCUPE/13W6v2
2005-Up Ford Mustang Coupe

SB-F-MUCONV2/13W6V2
2005-Up Ford Mustang Convertible



Thank you for choosing a JL Audio Stealthbox® for your automotive sound system. With proper installation, your new vehicle-specific enclosed subwoofer system will deliver years of listening pleasure.

We strongly recommend that you have your new Stealthbox® installed by your authorized JL Audio dealer. The installation professionals employed by your dealer have the necessary tools and experience to disassemble and reassemble your vehicle properly. Also, keep in mind that your warranty coverage extends to 2 year if your system is installed or approved by your authorized JL Audio dealer. If you prefer to perform your own installation, please read this installation guide completely before beginning the process.

JL AUDIO®
Ahead of the Curve™

! IMPORTANT

If you choose to perform the installation yourself, it is absolutely vital that the Stealthbox® be properly mounted to the vehicle according to these instructions. Failure to mount the enclosure properly presents two problems:

- 1) The sub-bass performance will suffer due to the movement of the enclosure caused by the force exerted by the woofer(s).
- 2) A loose enclosure presents a serious safety hazard in the event of a collision or sudden deceleration.

**INSTALLATION
DIFFICULTY:**

1 OUT
OF
5



STEP 1

Remove any contents from the trunk.



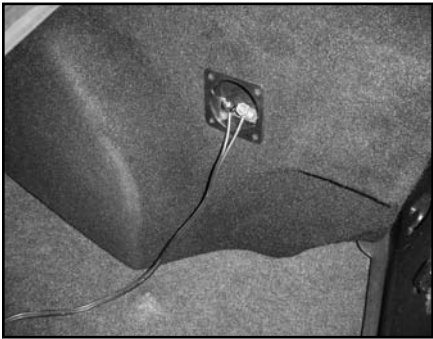
STEP 2

Flip up the passenger's side corner of the trunk flooring and remove the exposed a black rubber grommet.

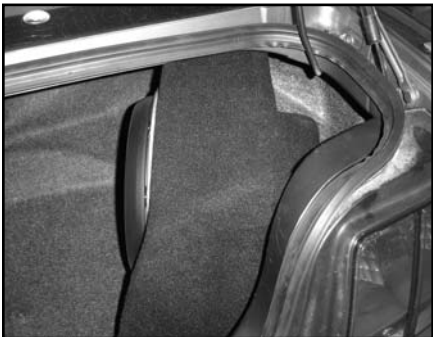


STEP 3

Lay the trunk flooring back into the corner. Feel for the hole exposed in STEP 2 and cut the flooring at the hole.

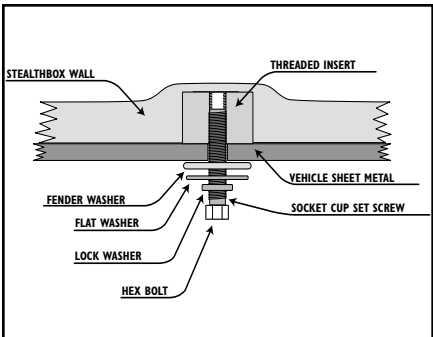
**STEP 4**

Place the Stealthbox® into the trunk.
Run speaker wire to the Stealthbox® and wire to the terminal.
Double check the woofer for proper operation.

**STEP 5**

As in the picture, slide the front of the Stealthbox® into place.
Then slide the rear of the Stealthbox® into place.

Make sure that the speaker wire and the factory trunk wiring do not get caught up between the Stealthbox® and the body of the vehicle.

**STEP 6**

From under the vehicle, place the supplied lock washer, flat washer, fender washer onto the supplied hex bolt.

Note: For added protection it is recommended that you apply a bead of silicone between the vehicle and the fender washer. After the bolt assembly is tightly secured, it is also recommended that vehicle undercoating material is applied to the exposed assembly.

Place the bolt assembly through the exposed hole and apply the bolt into the threaded insert of the Stealthbox®.
Secure tightly.

CONGRATULATIONS

You have completed the installation for this model!

Please refer to the Power Recommendation section for an amplifier recommendation and basic set-up help.

**INCLUDED HARDWARE**

- (1) 3/8-inch x 2-1/2-inch - 16 Hex Bolt
- (1) 3/8-inch USS Flat Washer
- (1) 3/8-inch Fender Washer
- (1) 3/8-inch Lock Washer

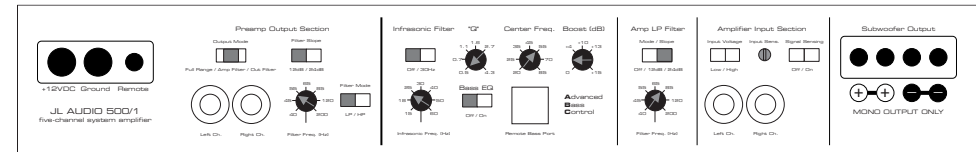
SPECIFICATIONS

Enclosure Type: Acoustic Suspension (sealed)
Driver Type: 13W6v2-D4
Nominal Impedance: 2 ohms mono
Continuous Power Handling: 500 Watts

POWER RECOMMENDATION

JL Audio recommends using a high quality amplifier such as the JL Audio 500/1.

The diagram below shows the recommended crossover, infrasonic filter and equalizer settings for the 250/1 when being used to power your Stealthbox®.



The JL Audio 500/1 is a very versatile audio component. Please consult the owner's manual for even more detailed information about installing and tuning this amplifier.

MID/HIGH FREQUENCY DRIVER FITMENT

A variety of JL Audio coaxial and component systems will fit in the factory speaker locations of your vehicle.

Front Speaker Size / Location: 5x7 / 6x8-inch / Front Doors
Fits JL Audio Models: TR570-CXi, XR570-CSi, XR570-CXi & ZR570-CSi

Rear Speaker Size / Location: 5x7 / 6x8-inch / Rear Deck
Fits JL Audio Models: TR570-CXi & XR570-CXi



JL AUDIO®
Ahead of the Curve™

(954) 443-1100

www.jlaudio.com

All specifications are subject to change without notice. "JL Audio" and the JL Audio logo, "Stealthbox" and the Stealthbox logo are registered trademarks of JL Audio, Inc. "Ahead of the Curve" and its respective logo is a trademark of JL Audio, Inc.
JL-AKU#011216-11-10-2006 - Printed in USA • ©2005 JL Audio, Inc. • U.S. PATENTS: #5,734,734 #5,949,898 #6,118,884 #6,229,902 #6,243,479 #6,294,959 #6,501,844 #6,496,590 #6,441,685 #5,687,247 #6,219,431 #6,625,292 #D472,891 #D480,709 Other U.S. & Foreign patents pending. For more detailed information please visit us online at www.jlaudio.com.



10369 NORTH COMMERCE PARKWAY • MIRAMAR, FLORIDA • 33025 • USA

Free Manuals Download Website

<http://myh66.com>

<http://usermanuals.us>

<http://www.somanuals.com>

<http://www.4manuals.cc>

<http://www.manual-lib.com>

<http://www.404manual.com>

<http://www.luxmanual.com>

<http://aubethermostatmanual.com>

Golf course search by state

<http://golfingnear.com>

Email search by domain

<http://emailbydomain.com>

Auto manuals search

<http://auto.somanuals.com>

TV manuals search

<http://tv.somanuals.com>