

Stealthbox®

INSTALLATION GUIDE for the

SB-GM-SLVCC/10W3v3 2007 - Up Chevrolet Silverado / GMC Sierra Crew Cab Trucks

Thank you for choosing a JL Audio Stealthbox® for your automotive sound system. With proper installation, your new vehicle-specific enclosed subwoofer system will deliver years of listening pleasure.

We strongly recommend that you have your new Stealthbox® installed by your authorized JL Audio dealer. The installation professionals employed by your dealer have the necessary tools and experience to disassemble and reassemble your vehicle properly. Also, keep in mind that your warranty coverage extends to 2 years if your system is installed or approved by your authorized JL Audio dealer. If you prefer to perform your own installation, please read this installation guide completely before beginning the process.

JL AUDIO®
Ahead of the Curve™

! IMPORTANT

If you choose to perform the installation yourself, it is absolutely vital that the Stealthbox® be properly mounted to the vehicle according to these instructions. Failure to mount the enclosure properly presents two problems:

- 1) The sub-bass performance will suffer due to the movement of the enclosure caused by the force exerted by the woofer(s).
- 2) A loose enclosure presents a serious safety hazard in the event of a collision or sudden deceleration.

INSTALLATION DIFFICULTY:

2 OUT
OF
5

**ESTIMATED TIME:
1 HOUR**



STEP 1

Thread the supplied socket cup screws into the bottom of the Stealthbox®, leaving 1/2-inch of the threads exposed.



STEP 2

Place the Stealthbox® into the truck, like in the picture.



STEP 3

Remove the paper backing from the supplied wax squares. Eye ball the placement of the wax squares onto the floor with the Stealthbox® placed into the truck.

**STEP 4**

Place the Stealthbox® into the mounting location and press firmly onto the Stealthbox®.

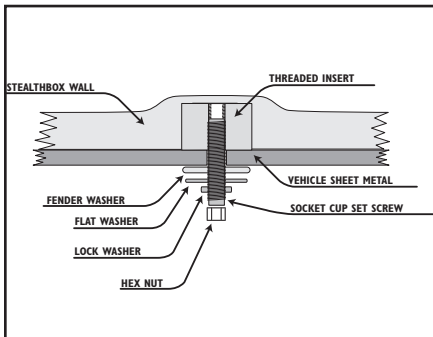
Remove the Stealthbox® carefully, leaving the wax square in place. The socket cup set screws will leave an impression onto the wax square.

**STEP 5**

With a drill and a 1/2-inch drill bit, drill through the impression made in the wax squares. **Note: Before drilling, make sure that you are not going to be drilling into any gas lines, brake lines, transmission lines, electrical wiring, transfer case (4x4 vehicles) or anything else that might cause a reduction in your weekly pay. Always wear eye protection when drilling!**

Remove the wax squares.

Run speaker wire from the amplifier's location to the Stealthbox® location and check for proper operation of the woofer.

**STEP 6**

Back out the socket cup set screws installed in **STEP 1**, to expose 1 1/4-inch.

From under the vehicle, place a supplied fender washer, flat washer, lock washer and then hex nut onto the socket cup set screw and secure. **Note: For added protection it is recommended that you apply a bead of silicone between the vehicle and the fender washer. After the bolt assembly is tightly secured, it is also recommended that vehicle under-coating material is applied to the exposed assembly**

**CONGRATULATIONS**

You have completed the installation for this model!

Please refer to the Power Recommendation section for an amplifier recommendation and basic set-up help.

INCLUDED HARDWARE

- | | |
|--|--------------------------------|
| (2) 3/8-inch -16 x 2-1/2-inch Socket Cup Set Screw | (2) 3/8-inch -16 Hex Nut |
| (2) 3/8-inch Lock Washer | (2) 3-inch x 3-inch Wax Square |
| (2) 3/8-inch Flat Washer | |
| (4) 3/8-inch Fender Washer | |

SPECIFICATIONS

Enclosure Type: Acoustic Suspension (sealed)

Driver Type: 10W3v3

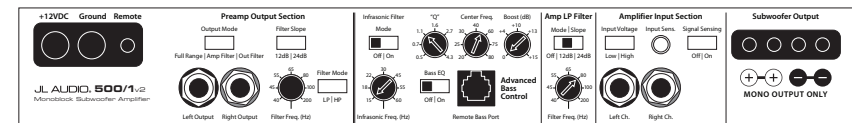
Nominal Impedance: 4 ohms mono

Continuous Power Handling: 600 Watts

POWER RECOMMENDATION

JL Audio recommends using a high quality amplifier such as the JL Audio 500/1v2.

The diagram below shows the recommended crossover, infrasonic filter and equalizer settings for the 500/1v2 when being used to power your Stealthbox®.



The JL Audio 500/1v2 is a very versatile audio component. Please consult the owner's manual for even more detailed information about installing and tuning this amplifier.

MID/HIGH FREQUENCY DRIVER FITMENT

A variety of JL Audio coaxial and component systems will fit in the factory speaker locations of your vehicle.

Front Speaker Size / Location: 6.5-inch / Front Doors

Fits JL Audio Models: TR650-CSi, TR650-CXi, VR650-CXi, XR650-CSi, XR650-CXi, C5650, C5-650x & ZR650-CSi

Rear Speaker Size / Location: 5.25-inch / Rear Door

Fits JL Audio Models: TR525-CXi, VR525-CXi, VR525-CSi, C5-525x & C5-525



JL AUDIO®
Ahead of the Curve™

(954) 443-1100

www.jlaudio.com

All specifications are subject to change without notice. "JL Audio" and the JL Audio logo, "Stealthbox" and the Stealthbox logo are registered trademarks of JL Audio, Inc. "Ahead of the Curve" and its respective logo is a trademark of JL Audio, Inc.
JLA-SKU#011239 -09-06-2007 • Printed in USA • ©2007 JL Audio, Inc. • U.S. PATENTS: #5,734,734 #5,949,898 #6,118,884 #6,229,902 #6,243,479 #6,294,959 #6,501,844 #6,496,590 #6,441,685 #5,687,247 #6,219,431 #6,625,292 #D472,891 #D480,709 Other U.S. & Foreign patents pending. For more detailed information please visit us online at www.jlaudio.com.



10369 NORTH COMMERCE PARKWAY • MIRAMAR, FLORIDA • 33025 • USA

Free Manuals Download Website

<http://myh66.com>

<http://usermanuals.us>

<http://www.somanuals.com>

<http://www.4manuals.cc>

<http://www.manual-lib.com>

<http://www.404manual.com>

<http://www.luxmanual.com>

<http://aubethermostatmanual.com>

Golf course search by state

<http://golfingnear.com>

Email search by domain

<http://emailbydomain.com>

Auto manuals search

<http://auto.somanuals.com>

TV manuals search

<http://tv.somanuals.com>