

Literature Parts

FOR ORDERING INFORMATION REFER TO PARTS PRICE LIST

CABINET PARTS

For Models: JFC2290VEP6

(Stainless Steel)

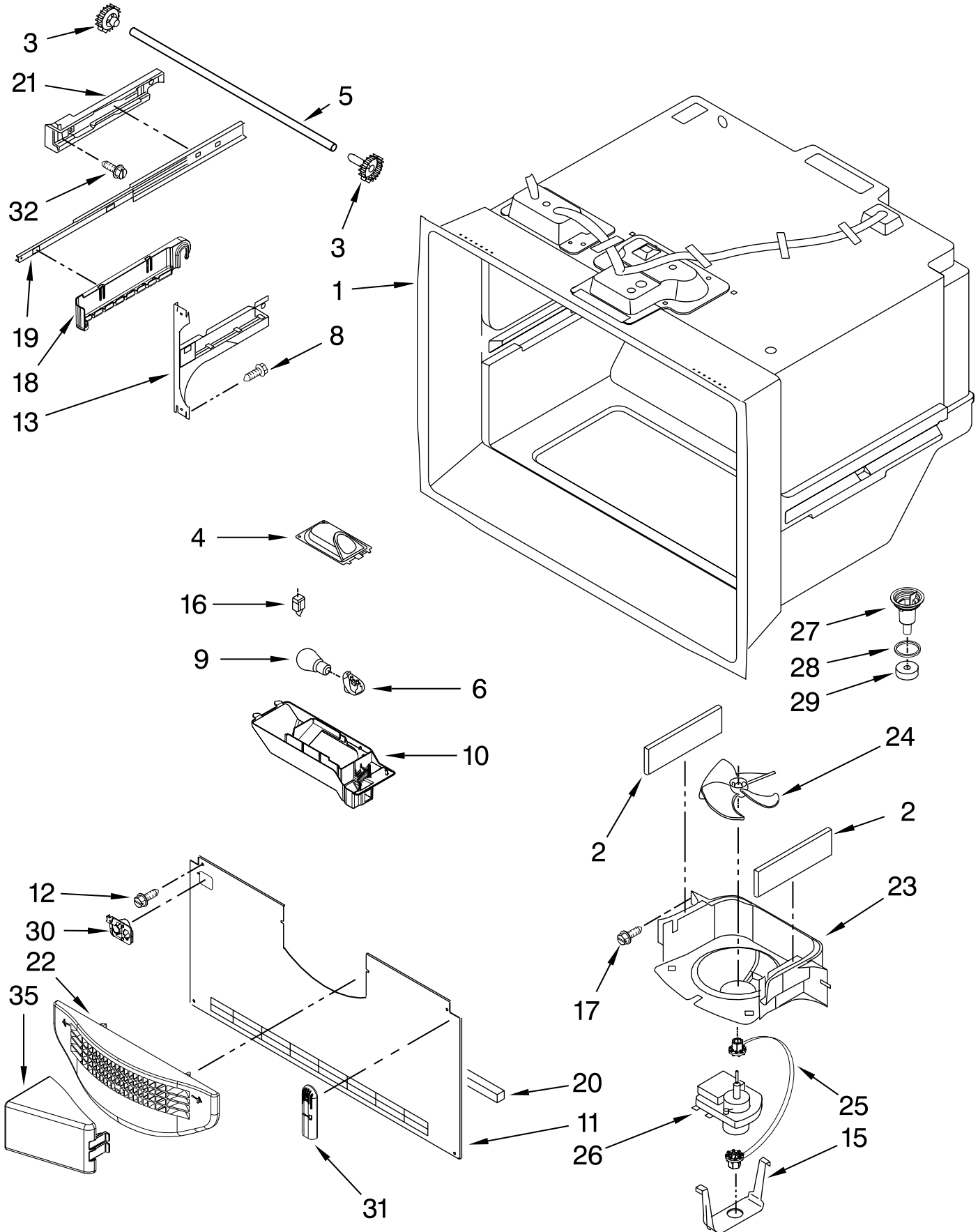
Illus.	Part	
No.	No.	DESCRIPTION
1		Literature Parts
	W10448051	Tech Sheet
	W10276070	Owners Manual
	W10214832	Tag, Energy
2	10463203SP	Elbow, Fill Tube
3	W10120087	Block, Pivot
4	B5759655	Gasket
5	M0114003SP	Clip, Speed
7	A3076901	Plug, Button
8	12990504	Screw
9	12992603	Screw
10	W10210891	Hinge, Top Right
11	W10339086	Screw (6)
12		Cover, Right Hinge
	W10120103	Apollo Grey
13		Cover, Left Hinge
	W10120102	Apollo Grey
14	12992403	Screw (6)
15		Hinge, Center (RT)
	W10135097	Stainless
16	12777701	Block, Fill Tube
17		Cover, Corner (2)
	12587703AP	Apollo Grey
18	W10210890	Hinge, Top Left
19		Roller Assy. (Front)
	W10275850	Left
	W10275849	Right
20	12991302	Screw (8)
22		Grille, Toe
	W10244558N	Black
23	M0104106	Clip (2)
24		Hinge, Center (LT)
	W10135096	Stainless
25	12990511	Screw (10)
26	12726003	Cover, Water Line
27	W10208593	Guard, Water Valve (Dual)
28	12990302	Screw (2)
29	12831101	Sweep, Dual Tube
30	W10211855	Cover, Unit
32	M0108105	Clamp, Tube
33	12820505	Insulation, Sound
34	W10141622	Brake, Foot
35	W10210988	Tube, Drain
36		Cabinet (Not a Servicable Part)

FOR ORDERING INFORMATION REFER TO PARTS PRICE LIST

FREEZER LINER PARTS

For Models: JFC2290VEP6

(Stainless Steel)



FOR ORDERING INFORMATION REFER TO PARTS PRICE LIST

FREEZER LINER PARTS

For Models: JFC2290VEP6
(Stainless Steel)

Illus. No.	Part No.	DESCRIPTION
1		Liner (Not A Seviceable Part)
2	A3189392	Gasket, Foam
3	12002497	Gear (Left) (Includes Both)
4	12476401V	Housing, Light
5	12812903WD	Shaft
6	12570701V	Socket, Light
8	12990521	Screw (8)
9	W10311527	Bulb, Light
10	W10119832	Module, Light
11	W10308420	Cover, Evaporator
12	12990511	Screw (4)
13		Bracket, Door
	W10330991	Left
	W10330993	Right
15	13058002	Clip, Evap Motor
16	12466105	Switch, Light
17	12990504	Screw (2)
18		Cradle, Basket
	W10119848	Left
	W10119849	Right
19	13055901N	Slide, Drawer (2)
20	A3189397	Gasket, Bottom
21		Adapter, Slide
	W10284686	Left
	W10284687	Right
22	13024803	Grille, Fz Air
23	13057901	Shroud, Evap Fan
24	2169142	Blade, Fan (Evaporator)
25	W10121318	Grommet
26	W10128551	Motor, Evaporator
27	D7753903	Funnel, Drain
28	M0500703	Seal
29	B8381501	Gasket
30	W10201550	Guide-Fill Tube
31	12815301	Cover, Thermistor
32	12990501	Screw (6)
35	W10157765	Diverter, Air

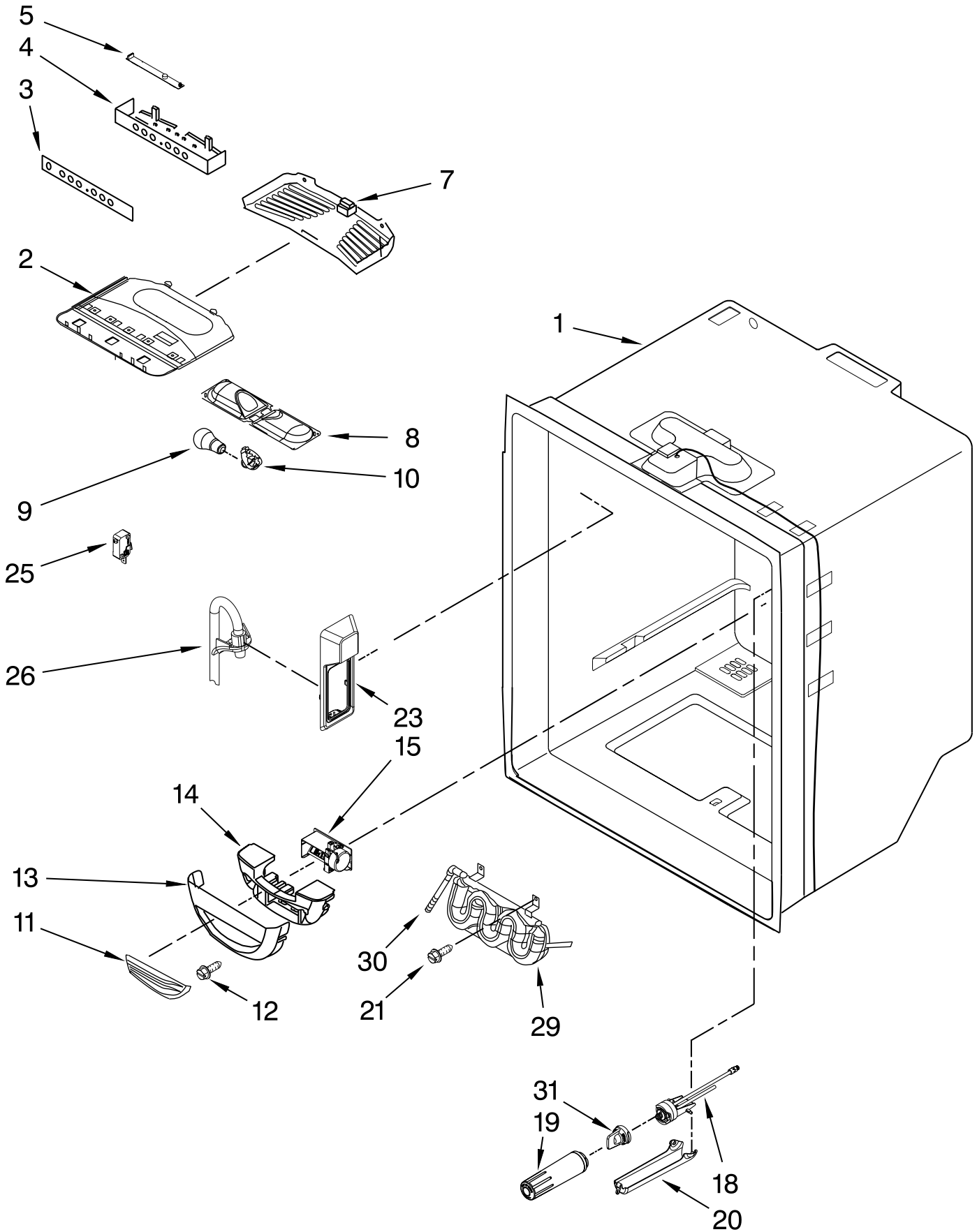
Following Parts Not Illustrated

W10196195 Harness, Fz Module
(Includes
Thermistor)

REFRIGERATOR LINER PARTS

For Models: JFC2290VEP6

(Stainless Steel)



FOR ORDERING INFORMATION REFER TO PARTS PRICE LIST

REFRIGERATOR LINER PARTS

For Models: JFC2290VEP6
(Stainless Steel)

Illus. No.	Part No.	DESCRIPTION
1		Liner (Not A Serviceable Part)
2	12806303	Module, Light
3	W10316413	Overlay
4	12806405	Housing, Control
5	W10116216	Board, Control
7	12806501N	Cover, Light
8	W10443023	Housing, Light
9	W10311505N	Bulb, Light
10	12570701V	Socket, Light (2)
11	12806801	Insert, Damper Cover
12	12990604	Screw
13	12806701	Cover, Damper
14	13012402	Insulation
15	W10207517	Control, Damper
18	12590621	Head, Water Filter
19	UKF8001	Filter, Water
20	12568001	Cover, Filter
21	12990504	Screw (2)
23	W10204292	Facade, Dispenser Assembly
25	12575502	Switch, Limit
26	W10117324	Waterline, Dispenser
29	12706109	Tank, Water
30	61006182	Union
31	12664501SP	Plug, Bypass

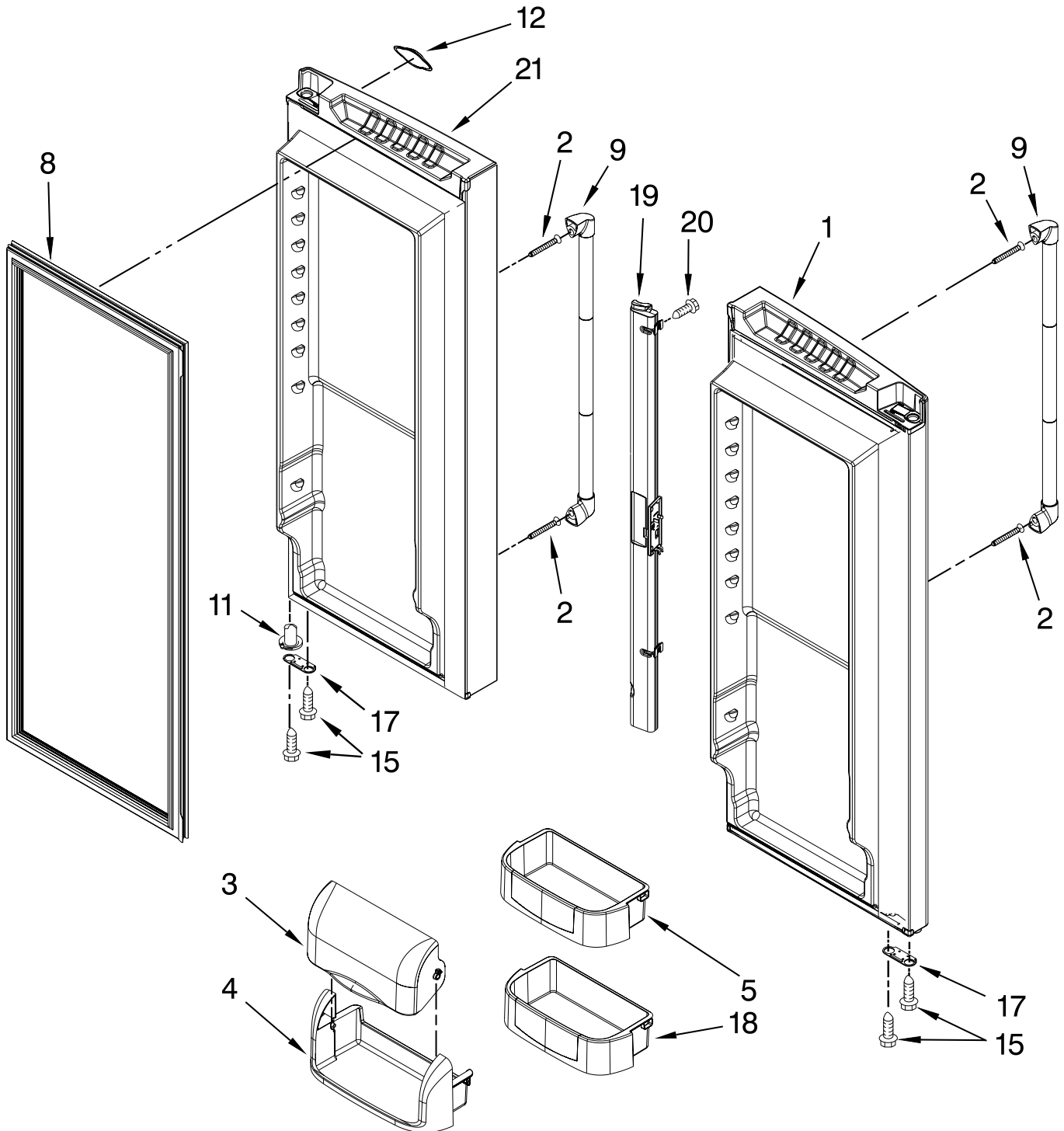
Following Parts Not Illustrated

W10119821 Harness, Control
(Refrigerator)
(Includes
Thermistor)

REFRIGERATOR DOOR PARTS

For Models: JFC2290VEP6

(Stainless Steel)



FOR ORDERING INFORMATION REFER TO PARTS PRICE LIST

REFRIGERATOR DOOR PARTS

For Models: JFC2290VEP6

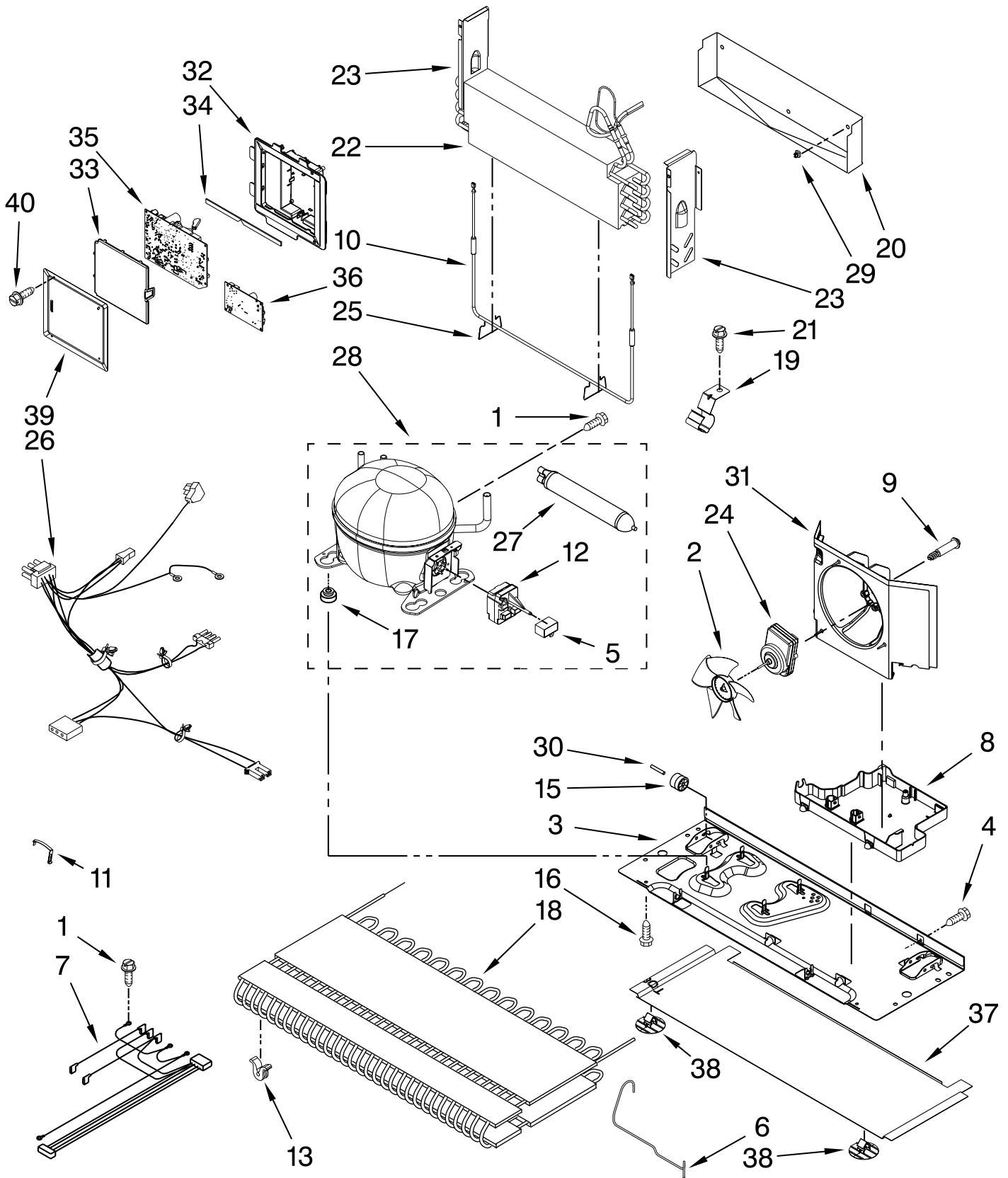
(Stainless Steel)

Illus.	Part	
No.	No.	DESCRIPTION
1	13094737S	Door, Refrigerator Stainless, LH
2	W10303465	Screw
3	12804701SP	Door, Dairy
4	12369502SP	Tray, Dairy
5	W10119841	Bucket, Medium (3)
8		Gasket, Door
	W10443241	Apollo Grey
9		Handle, Door
	W10446526N	Stainless
11		Closure, Door
	12028505AP	Apollo Grey
12	13062401	Nameplate
15	12990504	Screw
17		Stop, Door
	W10120097	Apollo Grey
18	W10119846	Bucket, Gallon (2)
19		Mullion, Door
	12732508AP	Apollo Grey
20	12990204	Screw
21		Door, Right
	13094739S	Stainless

FOR ORDERING INFORMATION REFER TO PARTS PRICE LIST

UNIT PARTS

For Models: JFC2290VEP6
(Stainless Steel)



FOR ORDERING INFORMATION REFER TO PARTS PRICE LIST

UNIT PARTS

For Models: JFC2290VEP6
(Stainless Steel)

Illus. No.	Part No.	DESCRIPTION
1	12992301	Screw
2	12825803	Blade, Fan
3	W10480111	Basepan
4	12990511	Screw
5	2264017	Capacitor
6	W10233569	Tube, Discharge
7	W10292241	Harness, Evap. Heater
8	W10296785	Pan, Drain
9	W10216919	Screw, Shoulder
10	12729129	Heater, Defrost
11	W10216075	Strap, Bale
12	W10361443	Start Device
13	W10137529	Grommet, Cond (4)
15	12477102	Roller (2)
16	12992101	Screw
17	10835903SP	Grommet (4)
18	W10346415	Condenser
19	W10281329	Clip, Drier
20	W10292803	Tray, Drip
21	12990701	Screw
22	W10317014	Evaporator

Illus. No.	Part No.	DESCRIPTION
23		Dam
	12225702	Right Side
	12225602	Left Side
24	W10239053	Motor, Fan
25	10428101	Clip, Heater
26	W10256742	Harness, Unit with Power Cord
27	W10143759	Drier
28	W10187125	Compressor (Includes items 11,12,17,27)
29	10623002	Clip, Evaporator
30	12477202	Axle, Roller (2)
31	W10189184	Shroud
32	W10119790	Box, HV Control
33	W10296541	Lid, HV Box
34	12957801	Gasket, HV Box
35	W10120827	Board, Control
36	W10120821	Board, Power
37	W10367416	Extension-Basepan
38	W10206339	Fastener-Basepan
39	12961602	Cover-Control Box
40	12990702	Screw Supply

Illus. No.	Part No.	DESCRIPTION
Following Parts Not Illustrated and Optional Parts Not Included		

- 978025 Valve, Access (1/4")
- 978026 Valve, Access (5/16")
- 978027 Valve, Access (3/8")
- 978028 Valve, Access (1/2")
- 978029 Valve, Access (5/8")
- 978030 Valve, Access (3/4")
- 876764 Valve, Access (3/16")

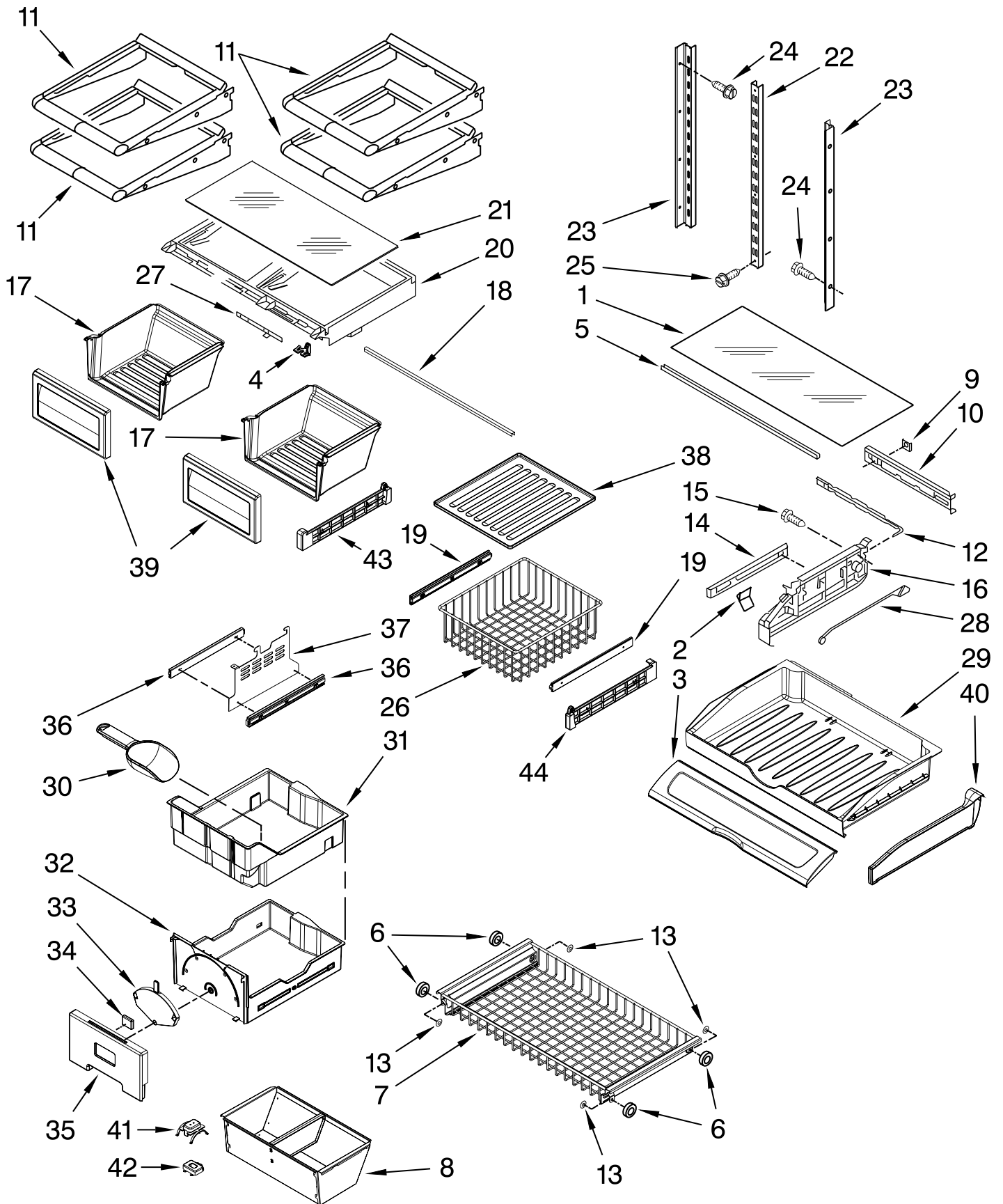
REFRIGERANT CHARGE

5.25 Ozs.
(R-134A)

SHELF PARTS

For Models: JFC2290VEP6

(Stainless Steel)



FOR ORDERING INFORMATION REFER TO PARTS PRICE LIST

SHELF PARTS

For Models: JFC2290VEP6
(Stainless Steel)

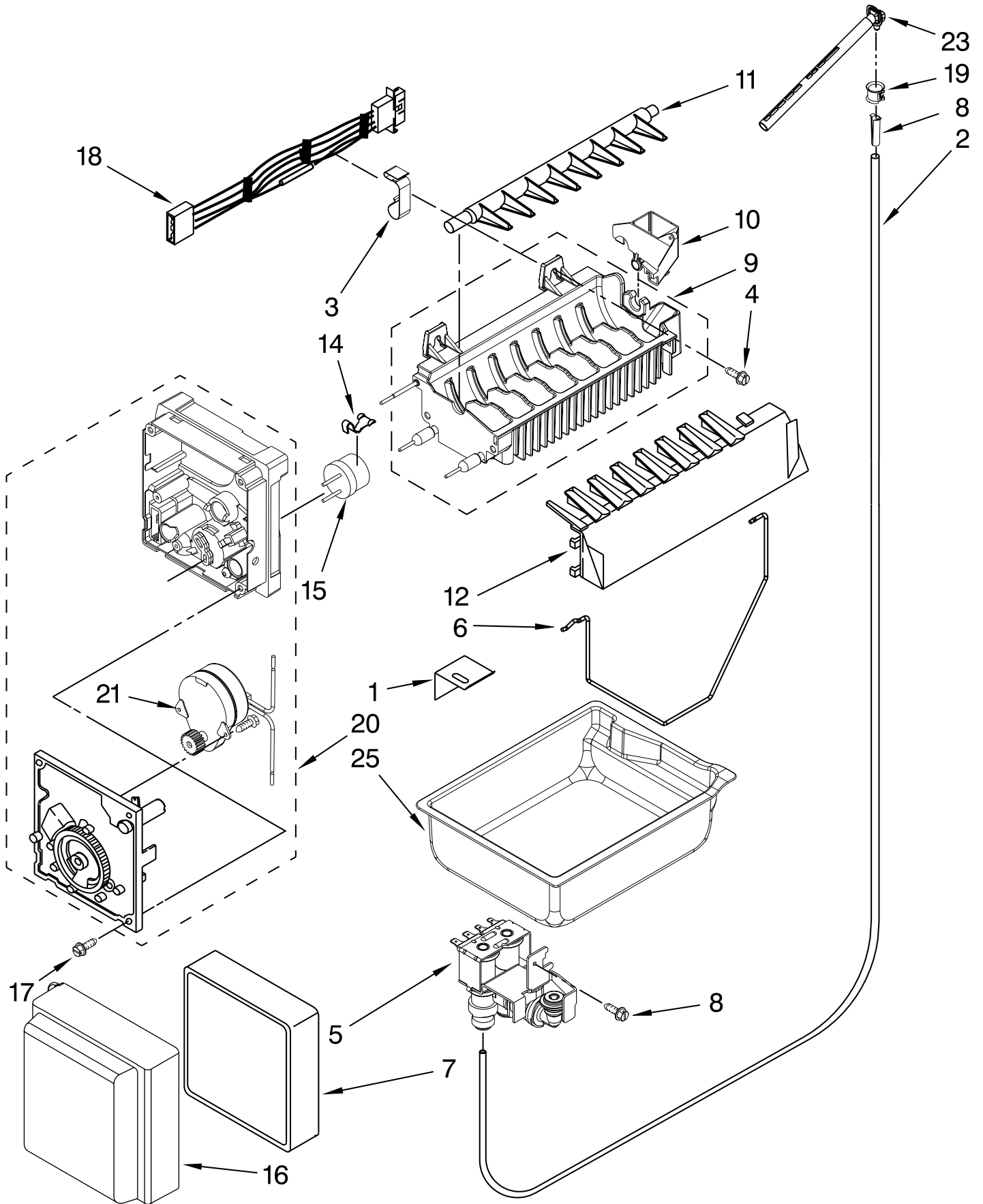
Illus. No.	Part No.	DESCRIPTION
1	12204815	Glass, Pantry
2	12655204V	Knob, Temp Control
3	12656822	Lid, Pantry Drawer
4	W10119222	Knob, Humidity Control (2)
5	12227305WH	Brace, Pantry
6	2204542	Roller, Basket
7	W10119854	Basket, Middle
8	W10144706	Bin Assembly
9	12656901	Gasket, Pantry
10	12656202	Housing, Control
11	W10156631	Shelf, Stationary
12	12655402	Slide, Temperature
13	2207415	Nut, Basket Roller
14		Glide, Drawer
	W10132653	Left
	W10132652	Right
15	12990504	Screw
16		Endcap, Pantry
	W10122078	Left
	W10121977	Right
17	W10119219	Pan, Crisper
18	W10119258	Brace, Crisper
19	W10170836	Glide, Upper Basket
20	W10119215	Frame, Crisper
21	12204827	Glass, Crisper Cover
22	W10273463	Ladder, Center
23	W10251971	Ladder, L/R Side
24	12990513	Screw
25	12990515	Screw
26	W10120003	Basket, Upper
27	W10119217	Slide, Humidity Control
28	12655303	Bar, Temperature Control
29	12655703	Drawer, Pantry
30	W10182881	Scoop, Ice Pan
31	W10120005	Pan, Ice
32	W10120008	Carrier, Ice Pan
33	W10184030	Lever, Ice Pan
34	W10131252	Latch, Magnet
35	W10174720	Front, Ice Pan
36	W10170835	Glide, Ice Pan
37	W10120014	Support, FZ Door
38	W10451455	Mat, Upper Basket
39	W10212414	Front, Crisper
40	12709301N	Divider, Pantry
41	W10121002	Latch, Coupler
42	W10121004	Housing, Coupler
43	W10163087	Adapter-Bskt-LH
44	W10163084	Adapter-Bskt-RH

FOR ORDERING INFORMATION REFER TO PARTS PRICE LIST

ICEMAKER PARTS

For Models: JFC2290VEP6

(Stainless Steel)



FOR ORDERING INFORMATION REFER TO PARTS PRICE LIST

ICEMAKER PARTS

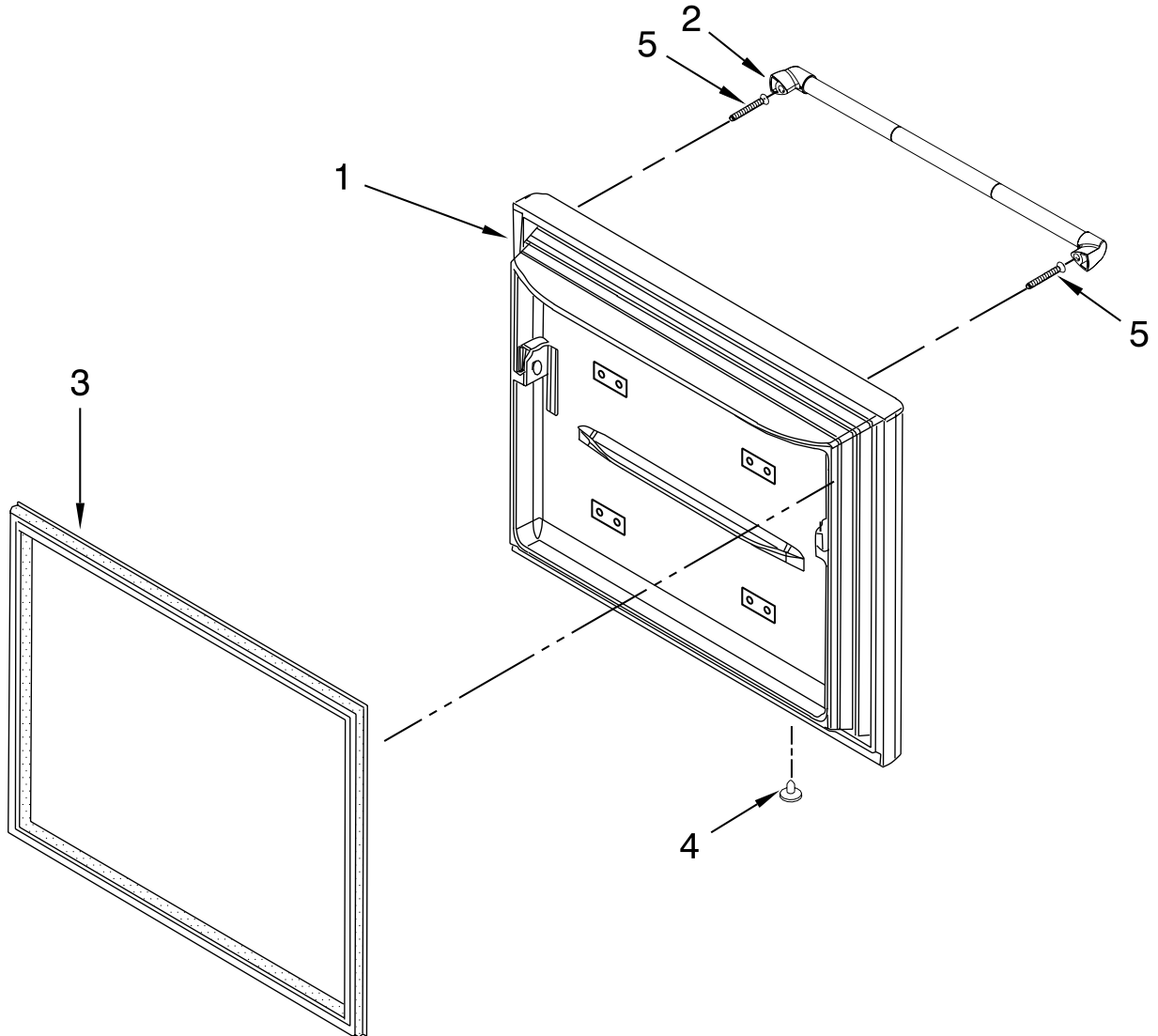
For Models: JFC2290VEP6

(Stainless Steel)

Illus.	Part	
No.	No.	DESCRIPTION
1	2256086	Bracket, Ice Maker
2	B5705333SP	Tube, Plastic
3	10526702	Clamp
4	489276	Screw
5	W10420083	Valve-Inlet
6	W10378255	Arm-Shut Off
7	W10377174	Cover, IM Module
8	A3223101SP	Insert, Tube
9	W10300025	Mold & Heater Assembly (Also Order 542638)
10	W10410073	Cup Water fill
11	W10318914	Ejector
12	W10122563	Ice Stripper
14	628379	Retainer
15	W10290336	Thermostat Order 542369 Cement Alumilastic)
16	W10460383	Cover, IM
17	489464	Screw
18	W10404661	Harness, Ice Maker
19	M0114003SP	Clip, Speed
20	W10281342	Module Assembly (Includes Items 21 & 22)
21		Motor (Not Available, Order #20)
23	10463203SP	Elbow, Fill Tube
25	W10120005	Pan, Ice
100	W10377152	Complete Ice Maker

FREEZER DOOR PARTS

For Models: JFC2290VEP6
(Stainless Steel)



Illus. No.	Part No.	DESCRIPTION
1	13094917S	Door, Freezer Stainless
2	W10446527N	Handle, Door Stainless
3	W10443320	Gasket, Door Apollo Grey
4	A3076901	Plug, Button (2) Black
5	W10303465	Screw

FOR ORDERING INFORMATION REFER TO PARTS PRICE LIST

OPTIONAL PARTS (NOT INCLUDED)

For Models: JFC2290VEP6

(Stainless Steel)

Illus.	Part	
No.	No.	DESCRIPTION

Miscellaneous

212643	Sealer, Gum (4 Feet)
479502	Tape, Vinyl (3/4 x 108")
876370	Kit, Insulation (2 Pcs. x 3" x 24" X 48")
876305	Kit, Insulation (14 Pcs. x 3" x 24" x 48")
978941	Insulation, Fiberglass (63-1/2" x 35-1/2" X 2-5/8)
876029	Kit, Foam Slab (30" x 32-1/2" x 1-1/2")
505587	Sealer, Mastic (1 Qt.)
503695	Cork, Sealer (1/4 Pound)
20000008	Cleaner, Stnls Steel Magic
542638	Grease, Silicone (1/2 Oz.)
542639	Cement, Alumilastic (1-1/4 Oz.)
606755	Bag, Insulation (36-5/8" x 46")
799833	Kit, Evaporator Repair (Aluminum Epoxy)
833938	Kit, Terminal Connector

TORX SCREW WRENCH

1117510 Torx Key

Free Manuals Download Website

<http://myh66.com>

<http://usermanuals.us>

<http://www.somanuals.com>

<http://www.4manuals.cc>

<http://www.manual-lib.com>

<http://www.404manual.com>

<http://www.luxmanual.com>

<http://aubethermostatmanual.com>

Golf course search by state

<http://golfingnear.com>

Email search by domain

<http://emailbydomain.com>

Auto manuals search

<http://auto.somanuals.com>

TV manuals search

<http://tv.somanuals.com>