

JENN-AIR COMPACTORS/COMPACTEURS

TC507

Use & Care Guide

For assistance, call: 1-800-688-1100.

Guide d'utilisation et d'entretien

Pour assistance, composer le 1-800-688-1100.

Table of Contents/Table des matières 2



9871894

TABLE OF CONTENTS

COMPACTOR SAFETY	3
INSTALLATION INSTRUCTIONS	4
Unpacking	4
Location Requirements	4
Electrical Requirements	5
Undercounter Installation	6
Air Freshener	7
Changing the Decorative Panel	7
COMPACTOR USE	9
How Your Compactor Works	9
Loading	9
Starting Your Compactor	10
Stopping Your Compactor	10
Removing a Filled Bag	10
Installing a New Bag	11
COMPACTOR CARE	11
Cleaning	11
TROUBLESHOOTING	12
RECYCLING WITH YOUR COMPACTOR	12
ASSISTANCE OR SERVICE	13
In the U.S.A.	13
Accessories	13
WARRANTY	14

TABLE DES MATIÈRES

SÉCURITÉ DU COMPACTEUR	15
INSTALLATION DU COMPACTEUR	16
Deballage	16
Spécifications d'emplacement	16
Spécifications électriques	17
Installation en-dessous du comptoir	18
Assainisseur d'air	19
Changement du panneau décoratif	19
UTILISATION DU COMPACTEUR	21
Fonctionnement du compacteur	21
Chargement	21
Mise en marche du compacteur	22
Pour arrêter le compacteur	22
Enlèvement d'un sac rempli	22
Installation d'un nouveau sac	23
ENTRETIEN DE VOTRE COMPACTEUR	23
Nettoyage	23
DÉPANNAGE	24
RECYCLAGE AVEC VOTRE COMPACTEUR	25
ASSISTANCE OU SERVICE	26
Aux États-Unis	26
Accessoires	26
GARANTIE	27

COMPACTOR SAFETY

Your safety and the safety of others are very important.

We have provided many important safety messages in this manual and on your appliance. Always read and obey all safety messages.



This is the safety alert symbol.

This symbol alerts you to potential hazards that can kill or hurt you and others.

All safety messages will follow the safety alert symbol and either the word "DANGER" or "WARNING." These words mean:

⚠ DANGER

You can be killed or seriously injured if you don't immediately follow instructions.

⚠ WARNING

You can be killed or seriously injured if you don't follow instructions.

All safety messages will tell you what the potential hazard is, tell you how to reduce the chance of injury, and tell you what can happen if the instructions are not followed.

IMPORTANT SAFETY INSTRUCTIONS

WARNING: When using an electrical appliance, basic precautions should always be followed, including the following:

- Read all instructions before using the compactor.
- Close supervision is necessary when used by or near children. Do not allow to be used as a toy, or to run unattended at any time. Lock Key Switch when not in use and store key out of reach of children.
- Do not touch moving parts.
- Do not operate with a damaged cord set, plug, motor, or after damage in any manner. Have the compactor examined, repaired or adjusted by an authorized serviceperson.
- Use only for intended use as described in this manual. Do not use other than manufacturer's recommended attachments.
- Do not compact toxic or volatile flammable material such as oily rags and insect sprays. Do not compact lighted cigarettes, cigars, or other hot or burning items. Do not overload the compactor.
- Do not take apart the compactor. Incorrect reassembly can cause electric shock when subsequently used.
- Handle a loaded trash bag with care. Sharp objects can pierce the bag and cause injury. Do not overload trash bag with heavy material such as glass.
- This compactor is intended for household use only.

SAVE THESE INSTRUCTIONS

INSTALLATION INSTRUCTIONS

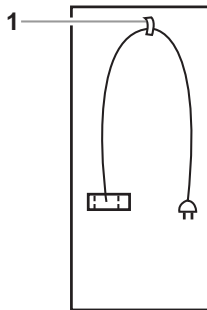
Installer: Leave Use and Care Guide with the homeowner.

Homeowner: Keep Use & Care Guide for future reference and for local electrical inspector's use, if required.

Unpacking

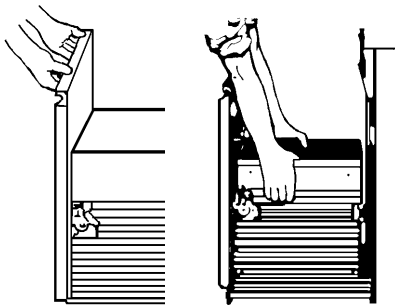
IMPORTANT:

- Do not grasp console to move compactor.
 - Begin in the room where the compactor will be located.
1. Remove compactor from shipping carton. Remove all protective packaging materials such as tape and shipping pads. Use a mild solution of liquid household cleaner and warm water to remove waxy residue caused by protective shipping material. Dry thoroughly with a soft cloth. For more information, see the "Cleaning" section.
 2. Check to be sure the power cord is attached to the cord clip on the rear of the compactor.



1. Cord clip

3. Place the two corner posts from the carton on the floor near the compactor. Open the compactor drawer and remove any shipping materials or other items from the drawer. Do not remove the compactor bag. Grasp the handle and raise the front of drawer until it clears the drawer stops. Grasp sides of drawer and lift drawer out of compactor. Place the drawer on the two corner posts.



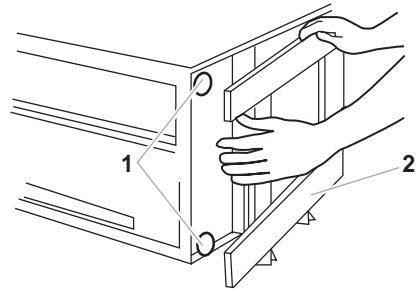
⚠ WARNING

Excessive Weight Hazard

Use two or more people to move and install compactor.

Failure to do so can result in back or other injury.

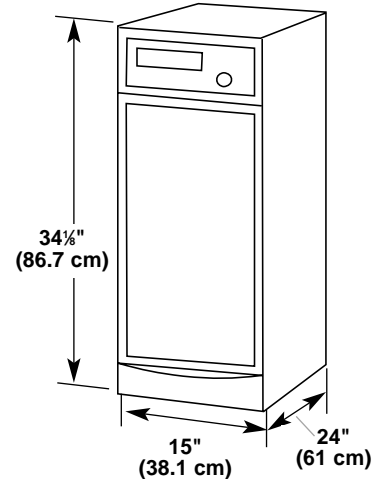
4. Place the other two corner posts on the floor to the side of the compactor. Grasp the sides of the compactor cabinet and put compactor on its side on top of the corner posts. Remove the shipping base from the bottom of the compactor.



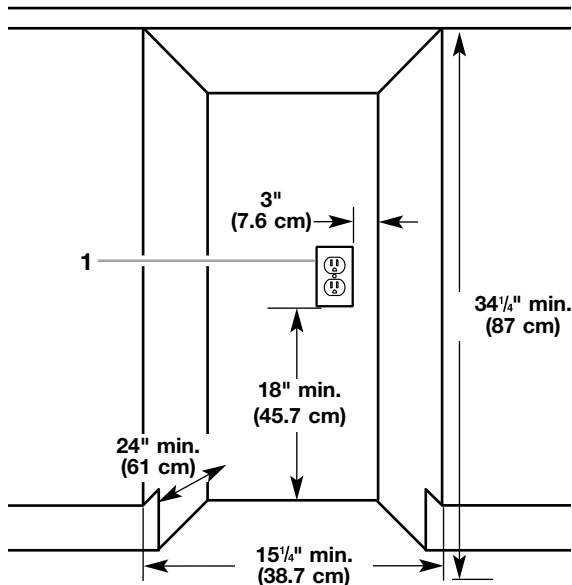
1. Leveling legs
2. Shipping base

Location Requirements

Product dimensions

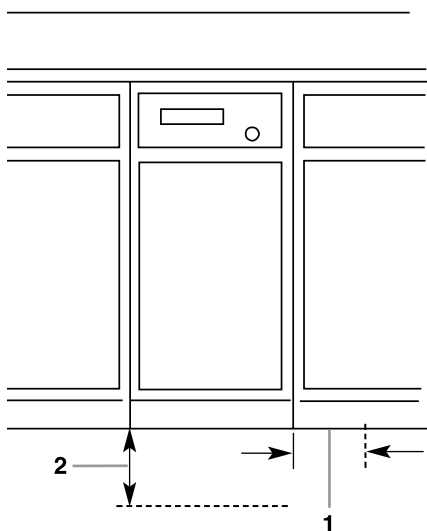


Cutout dimensions



1. Grounded electrical outlet must be a minimum of 3 in. (7.6 cm) away from surrounding cabinets or nearby walls as shown. It can be placed either to the left or the right side of the product.

Clearance dimensions



1. Leave 6 in. (15.2 cm) of clearance space to the right side of the compactor in order to remove the compactor bags.
2. Leave 23 in. (58.4 cm) of clearance in front of the compactor in order to fully open or remove the compactor drawer.

Electrical Requirements

⚠ WARNING



Electrical Shock Hazard

Plug into a grounded 3 prong outlet.

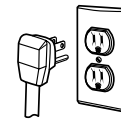
Do not remove ground prong.

Do not use an adapter.

Failure to follow these instructions can result in death, fire, or electrical shock.

Recommended Grounding Method

This compactor is for use on a single phase, 115-volt, 60 Hz, AC only 15 or 20 ampere fused and properly grounded circuit and is equipped with a grounding plug as shown below. Time delay fuse or circuit breaker is recommended. It is recommended that a separate circuit serving only this appliance be provided. In the event of an electrical short circuit, grounding reduces the risk of electric shock by providing an escape wire for the electric current. Do not modify the plug attached to the compactor; use only with a grounded receptacle.



This compactor must be grounded while in use to reduce the risk of electric shock. The compactor is equipped with a three-conductor cord and three-prong grounding-type plug to fit the proper grounding-type receptacle. The green (or green and yellow) conductor in the cord is the grounding wire. Never connect the green (or green and yellow) wire to a live terminal. The outlet should be properly installed and grounded in accordance with the National Electrical Code and Local codes and ordinances. No adapter should be used with this appliance.

Undercounter Installation

NOTE: Proper installation is your responsibility. Make sure you have everything necessary for correct installation. It is the personal responsibility and obligation of the customer to contact a qualified installer to assure that electrical installation meets all national and local codes and ordinances.

Tools and materials needed for installation:

Level	Phillips No. 2 Screwdriver
Tape Measure	Flat-Head Screwdriver
Pliers	5/16 in. Hex-Head Socket Wrench
Scissors	Utility Knife

IMPORTANT:

- Do not grasp control panel to move compactor.
- To prevent damaging floor covering, slide compactor onto cardboard or hardboard before moving compactor across floor.
- Do not allow the rear frame of the compactor to touch the floor covering when lifting or moving compactor.

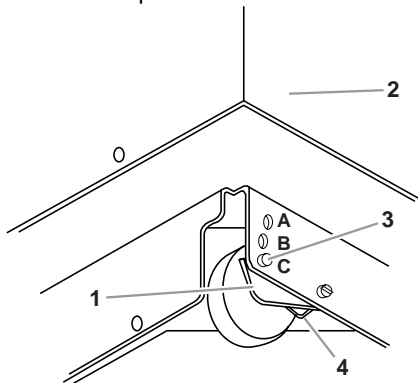
Undercounter Installation

1. Measure the height of your cabinet opening. The top of the compactor should be at least 1/8 in. (3 mm) from the top of the cabinet opening.

The rear wheels are preset for a cabinet opening of 34 1/4 in. (87 cm). See Position A in picture following.

To adjust for other cabinet opening heights:

- Loosen self-tapping screw just enough to clear stud from hole in Position "A."
- Move the rear wheel and stud to Position "B" or "C" as needed for your cabinet opening measurement:
Position B: 34 1/4 in. to 34 7/16 in. (87 to 87.5 cm)
Position C: 34 7/16 in. to 34 9/16 in. (87.5 to 88 cm)
NOTE: To level the unit in position "C," you may need to add shims under the leveling legs.
- Tighten screw. Repeat for other rear wheel.

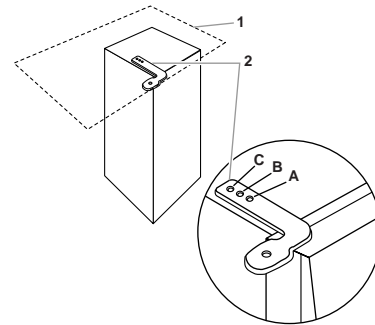


1. Wheel bracket assembly
2. Cabinet
3. Locating stud
4. Self-tapping screw (pivot)

2. Use pliers to lower leveling legs away from cabinet. Adjust legs so there will be a 1/8 in. (3 mm) to 1/4 in. (6.4 mm) space between the top of the compactor and the top of the cabinet opening. Stand the compactor upright.
3. Move the compactor close to its final position.
4. Plug into a grounded 3 prong outlet.
5. Determine if you want the compactor frame or drawer front flush with the cabinet front.

Using the two #8-18 x 5/16 in. screws, install the retaining brackets to cabinet top as needed:

- If the compactor frame is to be flush with the cabinet front, place retaining bracket screws through "A."
- If the compactor drawer front is to be flush with the cabinet front, place retaining bracket screws through "C."
- If the compactor is to be midway between "A" and "C," place the retaining bracket screws through "B."



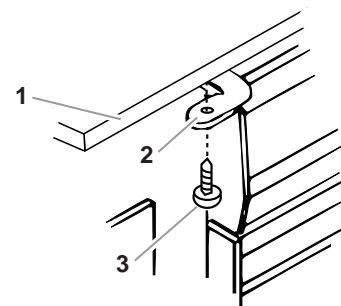
1. Countertop
2. Retaining bracket

6. Carefully lift the front slightly and roll compactor into the cabinet opening.

Using the two #8-18 x 1/2 in. screws, fasten the retaining brackets to the countertop with the mounting screws.

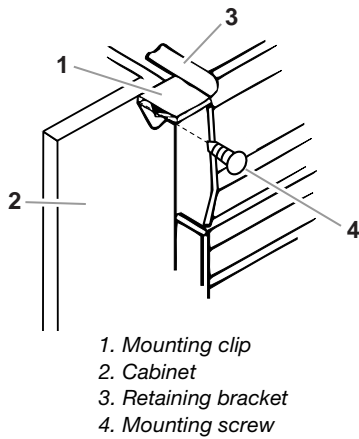
If brackets cannot be attached to the underside of countertop, attach mounting clips to brackets. Fasten compactor to cabinet front with mounting screws through mounting clips.

Countertop Mounting



1. Countertop
2. Retaining bracket
3. Mounting screw

Cabinet-front mounting



- Grasp sides of compactor drawer and place bottom of drawer into tracks. Lift at the handle so drawer will go over drawer stops. Close drawer. Check to see if drawer opens freely. If the toe plate rubs against floor, see "Adjusting the Toe Plate" for further instructions.

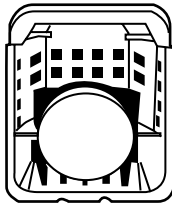
Adjusting the Toe Plate

If the toe plate rubs the floor covering, the toe plate clearance may be changed as follows:

- Mark on each side of the toe plate the amount of toe plate that rubs the floor covering.
- Remove the drawer from the unit. (See Step 3 in the "Unpacking" section.)
- Use a ruler and a pencil or chalk to draw a line between the marks on each side of toe plate.
- Use scissors or utility knife to cut toe plate along line.
- Replace drawer. If toe plate still rubs floor covering, repeat steps 1-4.

Air Freshener

The solid air freshener system is designed to help control odors that might develop in the trash. An air freshener disc can be purchased in department stores (not sold with compactor). Place the disk-shaped solid air freshener into the air freshener compartment. The air freshener should last 4 to 6 weeks. It is used more rapidly when the temperature is high or the air is very dry.



Changing the Decorative Panel

There are three options for changing the decorative panel:

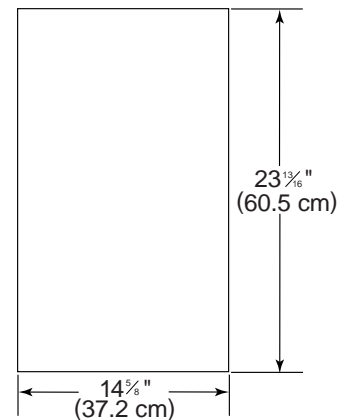
- Order an acrylic panel
- Create a custom panel for use with a trim kit
- Create a custom panel for installation without trim

To order an acrylic panel or a trim kit, see the "Assistance or Service" section for information or call the toll-free number on the cover.

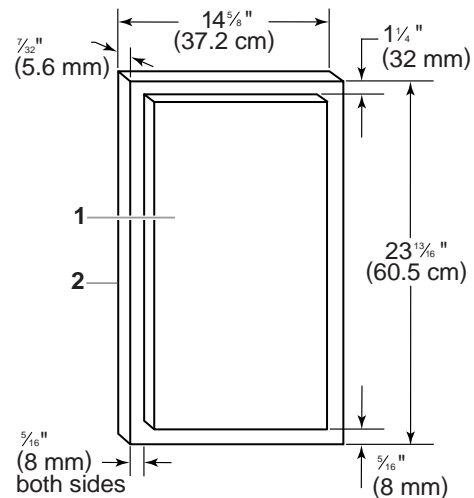
Trim kit panel dimensions

Use these dimension drawings to create a custom panel for use with a trim kit. Then, follow the installation instructions provided with the kit.

Flat panel: A $\frac{7}{32}$ in. (5.6 mm) thick panel is required. This is the same thickness as a standard $\frac{1}{4}$ in. plywood or paneling.



Raised panel: The outer section of panel must be $\frac{7}{32}$ in. (5.6 mm) thick to fit into trim. Design raised panel sections using dimensions shown above.



- Raised panel or decorative trim
- Outer section of panel

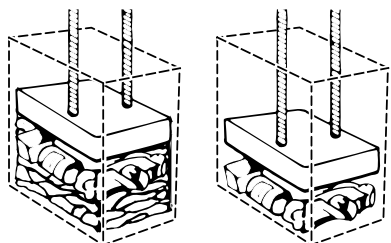
COMPACTOR USE

How Your Compactor Works

The compacting ram is the part of the compactor which compresses the trash. The compacting ram does not go to the bottom of the drawer. You will not see compacting of trash the first few times you load the compactor.

NOTE: The compactor drawer should be more than ½ full before the compactor can begin to compress the load.

You may hear a noise when glass breaks. Strong glass bottles may not break at all. The trash in a full compactor bag will be about ¼ the size of its original bulk.



Load bulky trash, bottles, and cans in the center of the drawer. Bottles or cans not placed in the center may become caught between the ram and the drawer. The Drawer Monitor Switch then senses a “misload” and causes the ram to return to the “up” position without compacting.



Loading

⚠ WARNING



Explosion Hazard

Do not compact any container, aerosol cans, or cloths which might contain insecticide, hair spray, engine starting fluid, paints, liquids, thinners, or any other poisonous or explosive products.

Doing so can result in death, explosion, or fire.

⚠ WARNING



Cut Hazard

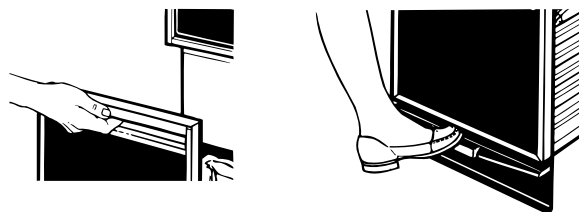
Do not push items down into compactor with hands or feet.

Doing so can result in cuts.

NOTE: You will not see compacting of trash the first few times you load the compactor. The compactor drawer should be about ½ full before the compactor can begin to compress the load.

1. Open the drawer. Lift and pull the handle or press the toe bar to open the drawer.

NOTE: Pressing the toe bar opens the container only 3 in. to 6 in. (7.6 cm to 15.2 cm), depending on the load.



Installing a New Bag

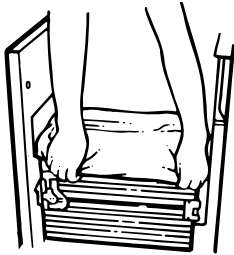
IMPORTANT:

Before installing a new bag, be sure:

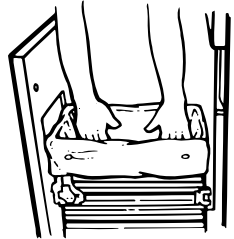
- The drawer side is securely locked.
- The container is clean and free of debris.

Do not use any kind of bag other than those designed especially for use in your compactor. Order replacement compactor bags through your local dealer or by calling the toll-free number on the cover or in the "Assistance or Service" section.

1. Place folded bag into the drawer. Open bag and pull top edges over the drawer top.



2. Lock bag in place by pulling the four prepunched holes over the bag retainer buttons. Holes will expand over the buttons without damaging the bag.
3. Press inside of bag against the drawer bottom, sides and corners for a smooth fit.



COMPACTOR CARE

Your new compactor is designed to give you many years of dependable service. However, there are a few things you are expected to do in order to maintain your compactor properly. This section will tell you how to clean and care for your compactor.

Cleaning

Before cleaning the compactor, turn the Key-Knob (or Key-Switch) to the OFF / LOCK position and remove it.

NOTE: Any services other than those outlined in this section should be performed by a designated service representative.

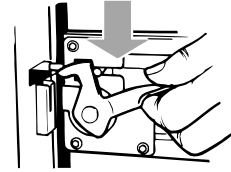
Cleaning Exterior Surfaces

1. Wash exterior surfaces (including stainless steel) with a clean sponge or soft cloth and a mild detergent in warm water. Do not use abrasive or harsh cleaners. Rinse and dry thoroughly with a soft cloth.
2. Wipe up spills right away. Some foods can damage if left on the compactor surface.

Cleaning Inside the Drawer

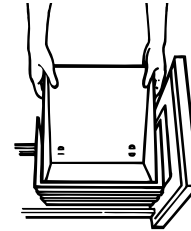
NOTE: You may want to wear protective gloves as there may be bits of glass in the drawer.

1. Remove the bag. (See the "Removing a Filled Bag" section.)
2. Press down on the lever-action lock (or Side-Lock latch).



3. Hold the lever-action lock down and tilt the side of the drawer out until the lock clears the drawer front.

NOTE: If desired, the drawer side can be removed by tilting it up, then lifting it out.



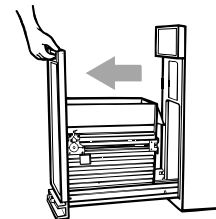
4. Wash the interior of the drawer with a clean sponge or soft cloth and a mild detergent in warm water. Rinse and dry thoroughly with a soft cloth.
5. If the drawer side was removed, slide it back into the tilted position.
6. Press the lever-action lock (or Side-Lock Latch) down while pushing the drawer side to the upright position.
7. Latch the drawer side by pushing up the lever-action lock (or Side-Lock Latch).

Cleaning Inside the Cabinet

NOTE: You may want to wear protective gloves as there may be bits of glass in the cabinet.

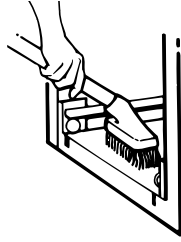
1. Pull the drawer out until it stops.

NOTE: Look to see how the drawer rollers move in the tracks. It will be easier to replace the drawer when you are finished cleaning.



2. Lift the front of the drawer to clear the stops.
3. Grasp the drawer on the sides and pull it out the rest of the way. Set the drawer down gently.

- Vacuum the inside of the cabinet. Liquid spills or wet trash should be cleaned up by hand, or by using a vacuum designed to pick up liquids.

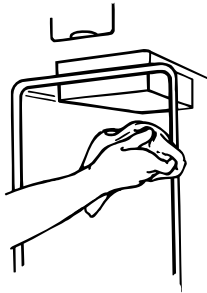


- Wash the inside of the cabinet with a clean sponge or soft cloth and a mild detergent in warm water. Rinse and dry thoroughly with a soft cloth.
- To replace the drawer, grasp it by the sides and insert the rollers onto the tracks.
- Lift the front of the drawer and push it in fully past the stops.

Cleaning the Ram

NOTE: You may want to wear protective gloves as there may be bits of glass on the ram cover.

- Wipe glass particles off of the ram cover with a cloth or paper towels.
- Remove foods with a clean sponge or soft cloth and a mild detergent in warm water. Rinse and dry thoroughly with a soft cloth.



Cleaning Before a Vacation

If you will be away for more than a couple of days, remove the compactor bag. Remove the Key-Knob (or Key-Switch) and store it out of children's reach.

TROUBLESHOOTING

Try the solutions suggested here first in order to avoid the cost of an unnecessary service call.

Trash is not compacting

- Is the drawer less than half full?** Drawer must be more than half full before trash is compacted.

Your compactor won't operate

- Is the power supply cord unplugged?** Plug into a grounded 3 prong outlet.
- Has a household fuse or circuit breaker tripped?** Replace the fuse or reset the circuit breaker.
- Is the drawer completely closed?** Close the drawer firmly and start the compactor again.

- Is the Key-Knob turned all the way to START?** Turn the Key-Knob (Key-Switch) fully to START and release (on some models). See the "Starting the Compactor" section.
- Did you press ON before pressing START?** Press ON before pressing START (on some models). See the "Starting the Compactor" section.

The drawer won't open

- Is the ram all the way up?** Drawer will open only when ram is fully raised.
- To raise the ram on models with a Key-Knob (or Key-Switch):** Turn the Key-Knob (Key-Switch) to START and release. See the "Starting the Compactor" section.
- To raise the ram on models with push button controls:** Press OFF, and then press ON. See the "Starting the Compactor" section.

There is not enough compaction or force

- Do you use the compacting cycle frequently enough?** Compacting works best when only a few items are loaded.

Bottles don't break

- How often do you notice this?** Bottles will not break every time. The thickness of the bottle's glass and the content of the trash load below it may prevent the bottle from breaking.

RECYCLING WITH YOUR COMPACTOR



PETE



HDPE



V



LDPE



PP



PS

These codes indicate which type of plastic was used in manufacturing the container. Your recycling program will confirm which codes are accepted for recycling.



OTHER

Plastics with this symbol cannot be recycled.



Items with this symbol can be recycled or were made from recycled materials.

A compactor makes recycling and landfill reduction efforts more effective and efficient.

Recycling Guidelines

Contact your community recycling program or local recycling organizations to find out which items are accepted for recycling and how they should be prepared and organized. These programs will provide essential recycling guidelines:

- Method and frequency of collection—curbside collections and drop-off centers.
- Categories of recyclable items, and how to distinguish between them. Plastic containers are identified by codes on the bottom. Sort by the numbers inside the triangular arrows. For example, most plastic soda bottles and some cleaning bottles have code 1; most milk and water jugs, laundry and personal hygiene product containers have code 2. Paper and cardboard containers (paperboard) also have recycle symbols to indicate a container is recyclable.
- Preparations of recyclable items. Most recycling programs provide specific guidelines on preparation. For example, aluminum cans and plastic containers need to be rinsed out, lids removed, but often labels can be left on.

IMPORTANT:

- Some items, such as glass, should not be compacted.
- Most recycling programs will not accept crushed glass.
- Check with your recycling program for specific guidelines on preparing recyclables.

Organizing the Recycling Workspace

Convenient recycle bins are made to fit in the compactor drawer. These bins, as well as plastic compactor bags, can be purchased in a variety of colors at hardware stores and supermarkets. Set up a system of color-coded bags in an area chosen for processing recyclables. Each color can represent a category of recyclable items, based on types specified by your recycling program. Separate recyclable items from non-recyclable items:

- Recyclable items can be sorted using the color-coded bags. Prepare items according to guidelines provided by your recycling program.
- Non-recyclable items should be compacted because compaction reduces trash volume to its original size: four bags of trash can be compacted into one bag. This contributes to reducing landfill volume and related waste transportation burdens.

REMEMBER: Do not expect items which contain minimal air, such as folded newspapers, to compact significantly.

Compacting Recyclable Items

Most recycling programs want the consumer to crush or flatten recyclable items such as plastics, cans, and paperboard. Compacting recyclable items consolidates volume and thereby reduces transportation costs—and also helps manage recycling workspace more effectively. The compactor is ideal for such a task. When a plastic bag is full enough to require compacting, place the bag in the drawer as shown in “Installing a New Bag.” Then follow instructions in “Compactor Use.” When the compacting cycle is complete, remove the plastic bag as shown in “Removing a Filled Bag” and return it to storage until it is full enough to recycle.

Remember, compacting both recyclables and non-recyclables means less solid waste and waste transportation costs—and a better environment for all.

Reduce – Reuse – Recycle

ASSISTANCE OR SERVICE

Before calling for assistance or service, please check “Troubleshooting.” It may save you the cost of a service call. If you still need help, follow the instructions below.

When calling, please know the purchase date and the complete model and serial number of your appliance. This information will help us to better respond to your request.

In the U.S.A.

If the problem is not due to one of the items listed in the “Troubleshooting” section...

Call the dealer from whom your appliance was purchased, or call Maytag Appliance Sales Company, Jenn-Air Customer Assistance at 1-800-688-1100 or 1-423-472-3333 to locate an authorized service company. When calling, please know the purchase date and the complete model and serial number of your appliance. Be sure to retain proof of purchase to verify warranty status.

If the dealer or service company cannot resolve your problem, write to:

Jenn-Air Customer Service

Attn.: CAIR® Center

P.O. Box 2370

Cleveland, TN 37320-2370

Web address: www.jennair.com

Or call: **1-800-688-1100.**

U.S. customers using TTY for deaf, hearing impaired or speech impaired, call: **1-800-688-2080** (Monday-Friday, 8:00 a.m.-8:00 p.m. Eastern Time).

NOTE: When writing or calling about a service problem, please include the following information:

1. Your name, address and daytime telephone number.
2. Appliance model number and serial number.
3. Name and address of your dealer or servicer.
4. A clear description of the problem you are having.
5. Proof of purchase (sales receipt).

All specifications are subject to change by manufacturer without notice.

Accessories

To order a color-matched trim kit for the installation of a custom-made panel, contact your local authorized dealer.

Replacement Bags - Call for Part Number

Trim Kits for Custom Front Panels:

Order Part #TCDW (white), TCDB (black), TCDQ (bisque) (Trim kit for custom made panel)

Order Part #TCDS (Stainless steel door panel)

JENN-AIR® COMPACTOR WARRANTY

FULL ONE-YEAR WARRANTY

For one (1) year from the date of original retail purchase, any part which fails in normal home use will be repaired or replaced free of charge.

LIMITED TWO-YEAR WARRANTY

From the second year through the end of the third year following the date of original retail purchase, parts which fail in normal home use will be repaired or replaced free of charge for the part itself, with the owner paying all other costs, including labor, mileage and transportation.

PLEASE NOTE: The full warranty applies only when the compactor is located in the United States or Canada. Compactors located elsewhere are covered by the limited warranty only, including limited warranties for parts which fail during the first year.

CANADIAN RESIDENTS: These warranties cover only those compactors installed in Canada that have been listed with Canadian Standards Association unless the compactors are brought into Canada due to transfer of residence from the United States to Canada.

The specific warranties expressed above are the ONLY warranties provided by the manufacturer. These warranties give you specific legal rights, and you may also have other rights that vary from state to state.

What is Not Covered by These Warranties:

1. Conditions and damages resulting from any of the following:
 - a. Improper installation, delivery or maintenance.
 - b. Any repair, modification, alteration or adjustment not authorized by the manufacturer or an authorized servicer.
 - c. Misuse, abuse, accidents or unreasonable use.
 - d. Incorrect electric current, voltage or supply.
 - e. Improper setting of any control.
 2. Warranties are void if the original serial numbers have been removed, altered or cannot be readily determined.
 3. Products purchased for commercial or industrial use.
 4. The cost of service or service call to:
 - a. Correct installation errors.
 - b. Instruct the user on proper use of the product.
 - c. Transport the appliance to the servicer.
 5. Consequential or incidental damages sustained by any person as a result of any breach of these warranties.
-

Some states do not allow the exclusion or limitation of consequential or incidental damages, so the above exclusion may not apply.

User's guides, service manuals and parts catalogs are available from Maytag Appliances Sales Company, Maytag Customer Assistance.

10/01

Keep this book and your sales slip together for future reference. You must provide proof of purchase or installation date for in-warranty service.

Write down the following information about your compactor to better help you obtain assistance or service if you ever need it. You will need to know your complete model number and serial number. You can find this information on the model and serial number label located on the inside wall of the compactor drawer.

Dealer name _____

Address _____

Phone number _____

Model number _____

Serial number _____

Purchase date _____

SÉCURITÉ DU COMPACTEUR

Votre sécurité et celle des autres est très importante.

Nous donnons de nombreux messages de sécurité importants dans ce manuel et sur votre appareil ménager. Assurez-vous de toujours lire tous les messages de sécurité et de vous y conformer.



Voici le symbole d'alerte de sécurité.

Ce symbole d'alerte de sécurité vous signale les dangers potentiels de décès et de blessures graves à vous et à d'autres.

Tous les messages de sécurité suivront le symbole d'alerte de sécurité et le mot "DANGER" ou "AVERTISSEMENT". Ces mots signifient :

! DANGER

Risque possible de décès ou de blessure grave si vous ne suivez pas immédiatement les instructions.

! AVERTISSEMENT

Risque possible de décès ou de blessure grave si vous ne suivez pas les instructions.

Tous les messages de sécurité vous diront quel est le danger potentiel et vous disent comment réduire le risque de blessure et ce qui peut se produire en cas de non-respect des instructions.

IMPORTANTES INSTRUCTIONS DE SÉCURITÉ

AVERTISSEMENT : Lors de l'utilisation d'appareils électroménagers, il convient d'observer certaines précautions élémentaires dont les suivantes :

- Lire toutes les instructions avant d'utiliser le compacteur.
- Une surveillance étroite est nécessaire, lorsque l'appareil est employé par ou près d'enfants. Ne pas permettre d'utiliser l'appareil comme un jouet, ou le faire fonctionner sans surveillance. Verrouiller l'interrupteur à clé lorsque l'appareil n'est pas utilisé et garder la clé hors d'atteinte des enfants.
- Ne pas toucher les pièces mobiles.
- Ne pas faire fonctionner le compacteur si le cordon d'alimentation, la fiche de branchement, le moteur sont endommagés ou après tout dommage quelconque. Faire examiner, réparer ou ajuster le compacteur par un technicien autorisé.
- Utiliser uniquement pour l'usage auquel il est destiné, tel que décrit dans ce manuel. Ne pas utiliser des accessoires autres que ceux qui sont recommandés par le fabricant.
- Ne pas utiliser cet appareil pour compacter des produits toxiques ou fluides inflammables tels que chiffons imbibés d'huile et vaporisateurs insecticides. Ne pas soumettre au compacteur les articles comme cigarettes ou cigares allumés, ou autres objets en combustion ou chauds. Ne pas surcharger le compacteur.
- Ne pas démonter le compacteur. Un remontage incorrect peut être à l'origine d'un choc électrique, lors de l'utilisation subséquente.
- Manipuler avec soin un sac rempli de déchets. Des objets pointus peuvent percer le sac et causer des blessures. Ne pas surcharger le sac de déchets avec des matériaux pesants tels que le verre.
- Ce compacteur est destiné à l'usage domestique uniquement.

CONSERVEZ CES INSTRUCTIONS

INSTALLATION COMPACTEUR

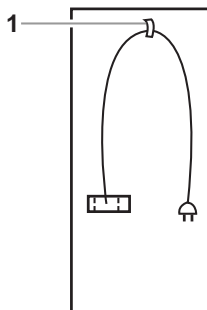
Installateur : Laissez le guide d'utilisation et le manuel de l'utilisateur au propriétaire.

Propriétaire : Gardez le guide d'utilisation et le manuel de l'utilisateur en toute sécurité pour référence ultérieure et pour l'usage de l'installation et de la mise à la terre de l'appareil, au besoin.

Deballage

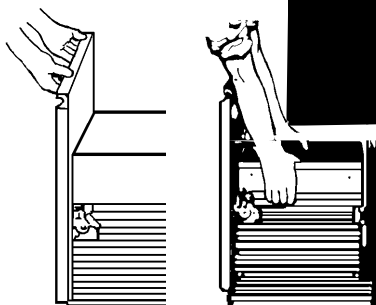
IMPORTANT :

- Ne pas saisir la console pour déplacer l'appareil.
 - Commencer dans la pièce où le compacteur sera installé.
1. Retirer le compacteur de son emballage en enlevant les matériaux d'emballage et de protection, les cales et les bords. Enlever avec une solution d'eau savonneuse et un chiffon doux, les résidus de nettoyage ménager liquide doux, les résidus de colle et les résidus de protection. Sécher avec un chiffon doux. Pour de plus amples renseignements, voir la section "Nettoyage".
 2. Vérifier que le cordon d'alimentation électrique est correctement attaché à l'agrafe à l'arrière du compacteur.

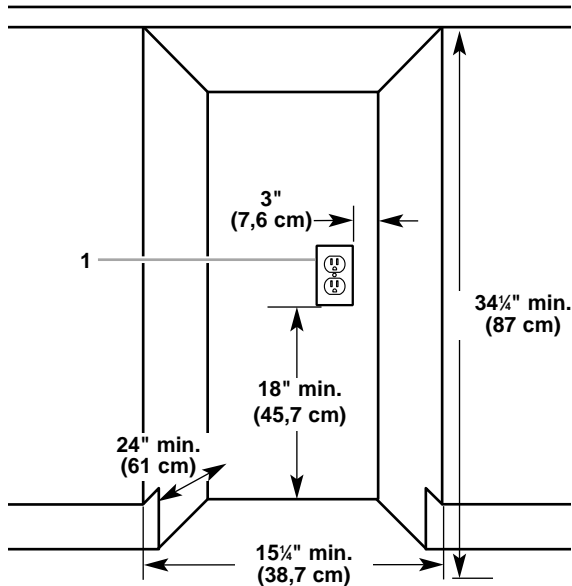


1. Agrafe du cordon d'alimentation

3. Placer les deux cornières de protection sur le compacteur. Ouvrir le tiroir du compacteur et retirer les matériaux d'emballage ou autres articles du tiroir. Ne pas retirer le sac du compacteur. Soulever l'avant du tiroir pour le faire pivoter. Saisir les côtés du tiroir et soulever-le pour le retirer du compacteur. Placer le tiroir sur le côté de protection.

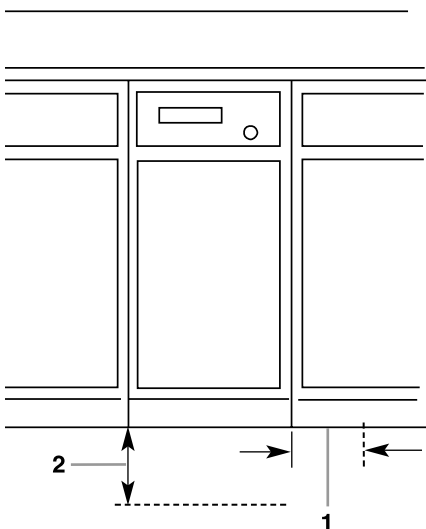


Dimensions de l'encastrement



1. Prise électrique reliée à la terre qui doit être à une distance minimum de 3 po (7,6 cm) des armoires voisines ou des murs latéraux tel qu'illustré. Elle peut être placée du côté droit ou du côté gauche du produit.

Dimensions de dégagement



1. Laisser un espace libre de 6 po (15,2 cm) du côté droit du compacteur pour extraire les sacs du compacteur.
2. Laisser un espace libre de 23 po (58,4 cm) en avant du compacteur pour ouvrir complètement ou retirer le tiroir du compacteur.

Spécifications électriques

⚠ AVERTISSEMENT



Risque de choc électrique

Brancher sur une prise à 3 alvéoles reliée à la terre.

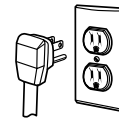
Ne pas enlever la broche de liaison à la terre.

Ne pas utiliser un adaptateur.

Le non-respect de ces instructions peut causer un décès, un incendie ou un choc électrique.

Méthode recommandée de liaison à la terre

Le compacteur est alimenté par un circuit de 115 V CA monophasé, 60 Hz, 15 ou 20 A; le circuit doit être protégé par un fusible et convenablement relié à la terre par l'intermédiaire de la fiche de branchement avec broches de liaison à la terre (voir l'illustration ci-dessous). On recommande l'emploi d'un disjoncteur ou d'un fusible temporisé. Il est préférable que cet appareil soit alimenté par un circuit distinct. Au cas où un court-circuit se produirait, la liaison à la terre réduit le risque de choc électrique, car le courant peut ainsi s'échapper directement vers la terre. Ne pas modifier la fiche jointe au compacteur, et utiliser seulement avec une prise reliée à la terre.



Le compacteur doit être relié à la terre lorsqu'il est utilisé pour réduire le risque de choc électrique. Le compacteur est équipé d'un cordon à trois conducteurs et d'une fiche à trois broches de type relié à la terre, pour convenir à la prise de courant appropriée reliée à la terre. Le conducteur vert (ou vert et jaune) dans le cordon est le fil de liaison à la terre. Ne jamais connecter le fil vert (ou vert et jaune) à une borne active. La prise doit être convenablement installée et reliée à la terre en conformité avec les dispositions du Code national des installations électriques et des codes et règlements locaux. Ne pas utiliser un adaptateur pour le branchement de cet appareil.

Installation en-dessous du comptoir

REMARQUE : L'installation appropriée est la responsabilité du propriétaire. S'assurer que vous avez tout le nécessaire pour corriger l'installation. C'est la responsabilité et l'obligation personnel du client de contacter un installateur qualifié pour s'assurer que l'installation électrique répond aux codes et règlements nationaux et locaux.

Outillage et matériaux requis pour l'installation :

Niveau	Tournevis Phillips n° 2
Ruban à mesurer	Tournevis à lame plate
Pincettes	Clé à douille hexagonale de 5/16 po
Ciseaux	Couteau utilitaire

IMPORTANT :

- Ne pas saisir la console pour déplacer le compacteur.
- Glisser le compacteur sur le carton ou le panneau de bois dur avant de déplacer le compacteur sur le plancher, pour empêcher d'endommager le recouvrement du plancher.
- Ne pas laisser le châssis arrière du compacteur toucher le recouvrement du plancher lors du soulèvement ou du déplacement du compacteur.

Montage en-dessous du comptoir

1. Mesurer la hauteur de l'ouverture de l'armoire. Le sommet du compacteur devrait être au moins à 1/8 po (3 mm) du sommet de l'ouverture de l'armoire.

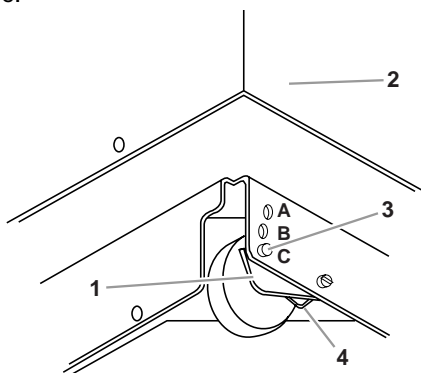
Les roues arrière sont préréglées pour l'ouverture d'une armoire d'une hauteur de 34 1/4 po (87 cm) (Position "A").

Ajustement pour d'autres hauteurs d'ouverture d'armoire:

- Pour ajuster les autres hauteurs d'ouverture d'armoire, desserrer la vis, juste assez pour pouvoir extraire le piton du trou de positionnement "A".
- Déplacer la roue arrière et le piton à la position "B" ou "C" au besoin, pour la mesure d'ouverture de l'armoire :
Position B : hauteur libre de 34 1/4 po à 34 7/16 po (87 à 87,5 cm)
Position C : hauteur libre 34 7/16 po à 34 5/8 po (87,5 à 88 cm)

REMARQUE : Pour mettre d'aplomb l'appareil en position C, vous devez peut-être ajouter des cales sous les pieds de nivellement.

- Serrer la vis. Répéter ces opérations pour l'autre roue arrière.

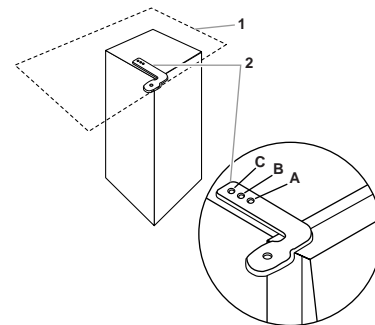


1. Bride porte-roue
2. Caisse
3. Piston de positionnement
4. Vis autotaraudante (pivot)

2. Utiliser les pincettes pour abaisser les pieds de nivellement hors du cabinet. Ajuster les pieds de sorte qu'il y aura de 1/8 po (3 mm) à 1/4 po (6,4 mm) d'espace entre le sommet du compacteur et le sommet de l'ouverture de l'armoire. Placer le compacteur verticalement.
3. Déplacer le compacteur jusqu'au voisinage immédiat de la position d'installation finale.
4. Brancher sur une prise à 3 alvéoles reliée à la terre.
5. Déterminer si vous voulez que le cadre du compacteur ou le devant du tiroir soit en affleurement avec le devant de l'armoire.

Utilisant les deux vis n° 8 de 18 x 5/16 po (8 mm), installer les brides qui restent au sommet de la caisse, au besoin.

- Si le châssis du compacteur doit être en affleurement avec l'avant des armoires, placer les vis de retenue de la bride dans les trous "A" des brides.
- Si le devant de la bride du tiroir du compacteur doit être en affleurement avec l'avant de l'armoire, placer les vis de retenue de la bride dans les trous "C" des brides.
- Si le compacteur doit être installé à une position intermédiaire, entre "A" et "C" placer les vis de retenue de la bride dans le trou "B".



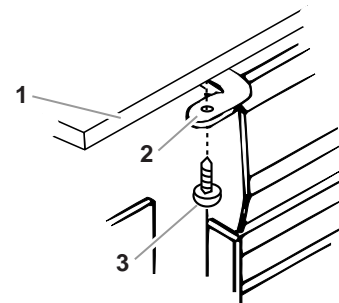
1. Dessus du comptoir
2. Bride de retenue

6. Soulever le devant légèrement et faire rouler le compacteur dans l'ouverture de l'armoire.

En utilisant les deux vis n° 8 – 18 x 1/2 po (12 mm), fixer les brides de retenue en-dessous du comptoir avec les vis de montage.

Si les brides ne peuvent pas être fixées au-dessous du comptoir, fixer les agrafes de montage aux brides. Fixer le compacteur au devant du cabinet avec les vis dans les brides de montage.

Installation sous le comptoir



1. Dessus du comptoir
2. Bride de retenue
3. Vis de montage

2. Retirer le tiroir de l'assainisseur. (Voir l'étape 3 à la section "Deballage".)
3. À l'aide d'une règle ou d'un crayon ou d'une craie, tracer une ligne entre les marques tracées de chaque côté de la pédale.
4. À l'aide de ciseaux ou d'un couteau utilitaire, découper la pédale le long de la ligne.
5. Réinstaller le tiroir. Si la pédale frotte toujours sur le revêtement du plancher, répéter les étapes 1 à 4.

Panneau
7/32 po (5 mm)

Assainisseur d'air

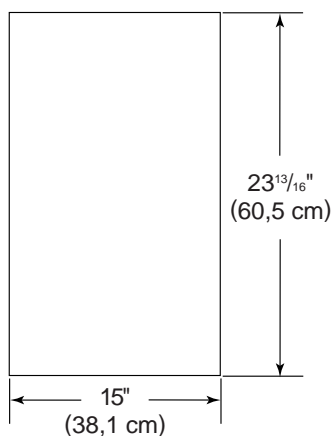
Le système d'assainisseur d'air solide est conçu pour aider à contrôler des odeurs qui peuvent se développer dans les déchets. Un assainisseur d'air en forme de disque peut être acheté dans les grands magasins (non vendu avec le compacteur). Placer l'assainisseur d'air solide en forme de disque dans le compartiment assainisseur d'air. L'assainisseur d'air devrait durer de 4 à 6 semaines, mais peut se dégrader rapidement lorsque la température est élevée ou l'air est très sec.

Panneau sans garniture avec poignée

Dimensions

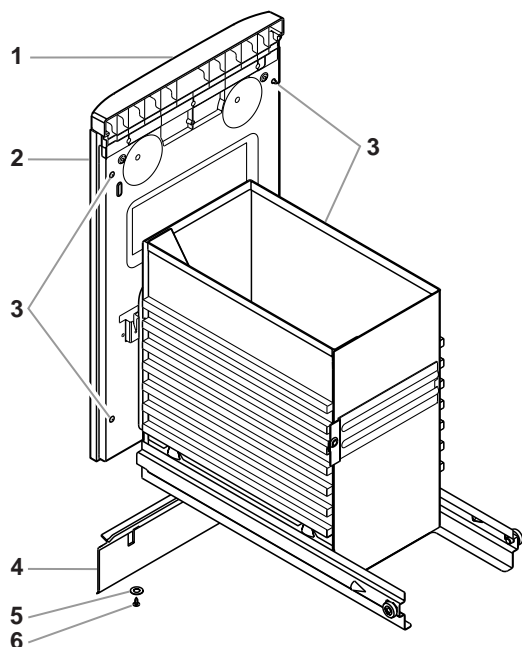
Utiliser ces dessins de dimensions pour créer un panneau personnalisé à utiliser sans trousse de garniture. Le panneau doit mesurer $\frac{1}{2}$ po à $\frac{5}{8}$ po (13 mm à 16 mm) d'épaisseur.

REMARQUE : Un panneau plus épais peut avoir besoin de coins avant arrondis et un découpage pour accès à la poignée.



Installation

1. Enlever la pédale, le garde-pieds et le panneau décoratif.
2. Aligner le sommet du panneau personnalisé avec la base de la poignée.
3. Fixer le panneau de l'arrière en utilisant 4 vis à bois n° 8 x 1 po comme illustré.
4. Réinstaller le garde-pieds en utilisant les vis existantes et une rondelle de $\frac{1}{2}$ po. Ensuite, réinstaller la pédale.

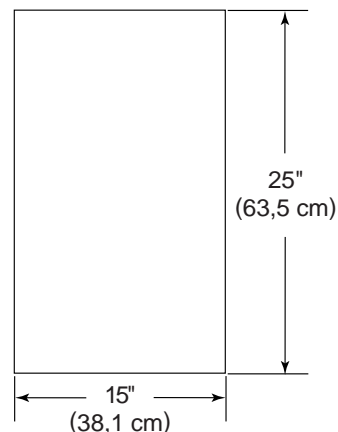


1. Poignée
2. Panneau personnalisé
3. Vis à bois n° 8 x 1 po
4. Garde-pieds
5. Rondelle
6. Vis du garde-pieds

Panneau sans garniture sans poignée

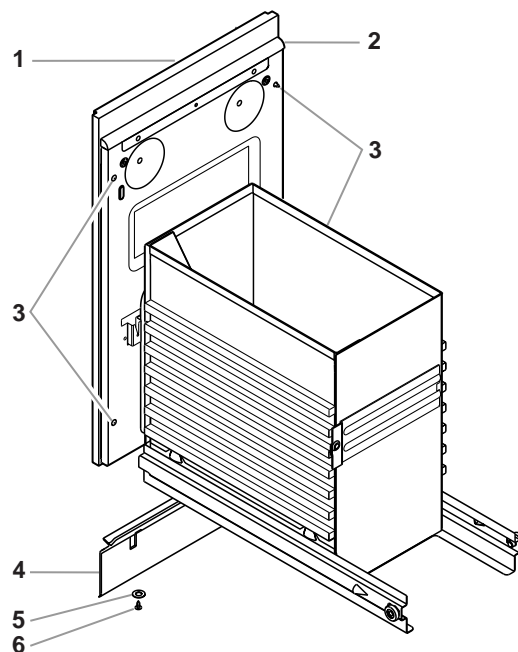
Dimensions

Utiliser ces dessins de dimensions pour créer un panneau personnalisé à utiliser sans trousse de garniture. Le panneau doit mesurer $\frac{1}{2}$ po (13 mm) d'épaisseur au minimum.



Installation

1. Enlever la pédale, le garde-pieds, le panneau décoratif et la poignée.
2. Aligner la base du panneau personnalisé avec la base du tiroir.
3. Fixer le panneau de l'arrière en utilisant 4 vis à bois n° 8 x 1 po comme illustré.
4. Fixer un joint d'un quart-de-rond de 15 po x $\frac{1}{2}$ po le long du sommet du tiroir à l'avant en utilisant de la colle ou des vis.
5. Réinstaller le garde-pieds en utilisant les vis existantes et une rondelle de $\frac{1}{2}$ po. Ensuite, réinstaller la pédale.



1. Panneau personnalisé
2. Quart-de-rond de 15 po x $\frac{1}{2}$ po
3. Vis à bois n° 8 x 1 po
4. Garde-pieds
5. Rondelle
6. Vis du garde-pieds

Fonc

La presse d
compresse
pas jusqu'au
seront donc
le compacte

REMARQUE
rempli avant
compresser

Vous pouvez
bouteilles en
déchets dans
du volume or



Charger les déchets volumineux, bouteilles et canettes au centre du tiroir. Les bouteilles ou les canettes qui n'ont pas été mises au centre du tiroir peuvent être coincées entre la presse et le tiroir. Le commutateur du tiroir peut détecter une "erreur de charge" et renvoyer la presse à la position "supérieure" sans qu'il y ait compactage.

REMARQUE :
quelques premi
tiroir du compac
compacteur puis

1. Ouvrir le tiroir
pédale pour

REMARQUE
po à 6 po (7,6

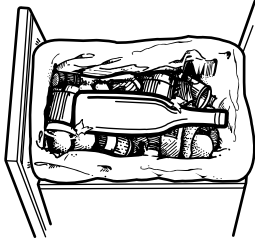
pas les déchets se faire presser les
ous chargez le compacteur. Le
viron à moitié rempli avant que le
r à presser la charge.

tirer la poignée ou appuyer sur la

la pédale ouvre le contenant de 3
), selon la quantité.

2. Chargement des déchets dans le compacteur.

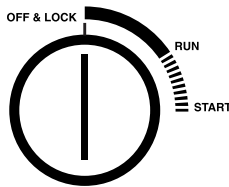
- Envelopper de papier ou recouvrir les déchets humides ou salissants.
- Ne pas mettre dans le compacteur des matières susceptibles de dégager des mauvaises odeurs, telles que de la viande crue, du poisson, des pelures de pamplemousse, des couches jetables ou des articles d'hygiène personnelle.
- Charger les bouteilles ou canettes sur le côté au centre du tiroir. Ne pas placer les bouteilles dans une position verticale.



3. Fermer le tiroir.

Mise en marche du compacteur

1. Tourner le bouton de commande à START (mise en marche). Dès que le compacteur se met en marche, relâcher le bouton de commande. Le bouton avancera alors à la position RUN (fonctionnement) et commencera le programme de compactage.
2. Un programme complet de compactage demande environ 27 secondes. Le compacteur s'arrêtera automatiquement.



REMARQUE : Lorsque le programme de compactage est terminé, tourner le bouton à clé à la position OFF & LOCK (arrêt et verrouillage). Enlever le bouton à clé et le garder hors de portée des enfants.

Pour arrêter le compacteur

1. Tourner le bouton de commande à OFF & LOCK (arrêt et verrouillage).
2. Tourner le bouton de commande à RUN (fonctionnement). Ce réglage montera la presse à sa position la plus élevée. Le compacteur avancera automatiquement à la fin du programme et s'arrêtera.
3. Vous pouvez ouvrir le tiroir après l'arrêt du compacteur.

Enlèvement d'un sac rempli

Lorsque les déchets sont comprimés jusqu'au sommet du tiroir, enlever le sac. Si le sac est trop lourd, compresser moins de déchets la fois suivante.

⚠ AVERTISSEMENT

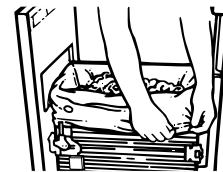


Risque de coupure

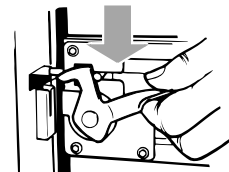
Ne pas pousser des articles dans un compacteur à l'aide des mains ou des pieds.

Le non-respect de cette instruction peut causer des coupures.

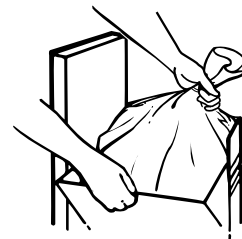
1. Tirer le tiroir pour l'ouvrir complètement.
2. Dégager le haut du sac des boutons de retenue du sac. Tirer vers le haut sur les 4 revers du sac. Fermer le sac avec les attaches fournies.



3. Abaisser le levier de verrouillage et incliner le côté du tiroir pour l'ouvrir.



4. Retirer le sac en le soulevant.



Installation d'un nouveau sac

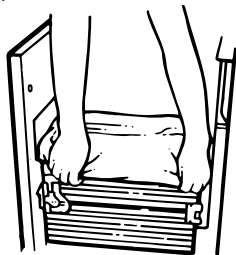
IMPORTANT :

Avant d'installer un nouveau sac, s'assurer que :

- Le côté du tiroir est bien verrouillé.
- Le contenant est propre et exempt de débris.

Ne pas utiliser d'autres sacs que ceux qui sont spécialement conçus pour être utilisés dans votre compacteur. Commander des sacs de remplacement pour le compacteur chez votre marchand local ou en composant le numéro sans frais sur la couverture ou à la section "Assistance ou Service".

1. Placer le sac plié dans le tiroir. Ouvrir le sac et replier le bord supérieur du sac par-dessus le bord du tiroir.



2. Immobiliser le sac en engageant les 4 trous pré-perçés sur les boutons de retenue du sac. Les trous s'agrandiront sur les boutons sans endommager le sac.
3. Pousser l'intérieur du sac contre le fond du tiroir, les côtés et les coins du tiroir, pour qu'il s'adapte bien.



ENTRETIEN DE VOTRE COMPACTEUR

Votre nouveau compacteur est conçu pour vous donner de nombreuses années de service fiable. Toutefois vous avez quelques mesures à prendre pour bien maintenir le rendement de votre compacteur. Cette section vous expliquera comment nettoyer et prendre soin de votre compacteur.

Nettoyage

Avant de nettoyer le compacteur, tourner le bouton à clé (ou commutateur à clé) à OFF & LOCK (arrêt et verrouillage) et retirer.

REMARQUE : Les services autres que les services décrits dans cette section doivent être exécutés par un représentant de service désigné.

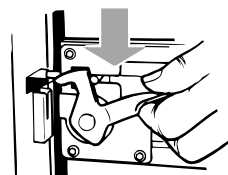
Nettoyage des surfaces extérieures

1. Laver les surfaces extérieures (y compris l'acier inoxydable) avec une éponge propre ou un linge doux et un détergent doux dans de l'eau tiède. Ne pas utiliser de nettoyants abrasifs ou rugueux. Rincer et sécher à fond avec un chiffon doux.
2. Essuyer immédiatement les traces de renversement. Certains aliments peuvent endommager la fini s'ils sont laissés à la surface du compacteur à déchets.

Nettoyage de l'intérieur du tiroir

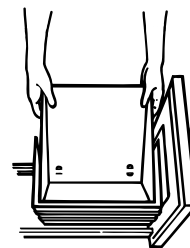
REMARQUE : Vous voudrez peut-être porter des gants protecteurs. Il peut exister des petits débris de verre dans le tiroir.

1. Enlever le sac. (Voir la section "Enlèvement d'un sac rempli").
2. Appuyer sur le levier de verrouillage à bascule (ou le loquet de verrouillage au côté).



3. Maintenir le levier dans cette position et incliner le côté du tiroir jusqu'à ce que le loquet dépasse le devant du tiroir.

REMARQUE : Il est possible de retirer le côté du tiroir en l'inclinant vers l'extérieur, puis en le soulevant.



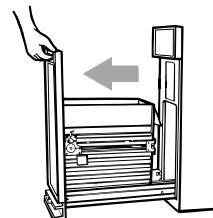
4. Laver l'intérieur du tiroir avec une éponge propre ou un linge doux et un détergent doux dans de l'eau tiède. Rincer et essuyer avec un chiffon doux.
5. Si le côté du tiroir a été enlevé, remettre le côté du tiroir en position inclinée.
6. Abaisser le levier (ou loquet de verrouillage au côté) tout en appuyant sur le côté du tiroir verticalement.
7. Verrouiller le côté du tiroir en poussant le levier (ou loquet de verrouillage au côté) vers le haut.

Nettoyage de l'intérieur de la caisse

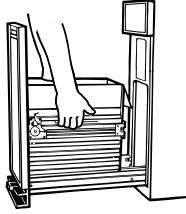
REMARQUE : Vous voudrez peut-être porter des gants protecteurs. Il peut exister de petits débris de verre dans la caisse.

1. Retirer le tiroir vers l'extérieur jusqu'à la butée.

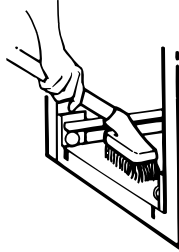
REMARQUE : Remarquer comment les roulettes du tiroir se déplacent dans les rainures. Il sera plus facile de replacer le tiroir lorsque vous avez terminé le nettoyage.



2. Soulever le devant du tiroir pour franchir les butées.
3. Saisir les côtés du tiroir et le tirer jusqu'à ce qu'il sorte complètement. Le déposer délicatement.



4. Passer l'aspirateur à l'intérieur de la caisse. Les liquides renversés ou les déchets humides doivent être nettoyés à la main ou au moyen d'un aspirateur conçu pour aspirer les liquides.

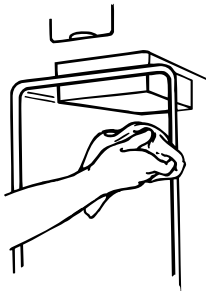


5. Laver l'intérieur de la caisse avec une éponge propre ou un linge doux et un détergent doux dans de l'eau tiède. Rincer et sécher à fond avec un linge doux.
6. Pour replacer le tiroir, saisir les côtés du tiroir et insérer les roulettes du tiroir dans les rainures.
7. Soulever le devant du tiroir et le pousser complètement au-delà des butées.

Nettoyage de la presse

REMARQUE : Vous voudrez peut-être porter des gants protecteurs. Il peut exister de petits débris de verre sur le recouvrement de la presse.

1. Enlever les particules de verre en essuyant le recouvrement de la presse avec un linge ou un essuie-tout.
2. Enlever les aliments avec une éponge propre ou un linge doux et un détergent dans de l'eau tiède. Rincer et sécher à fond avec un linge doux.



Nettoyage avant des vacances

Si vous vous absentez pendant plus de quelques jours, enlever le sac du compacteur. Enlever le bouton à clé (ou commutateur à clé) et le remettre hors de la portée des enfants.

DÉPANNAGE

Essayer d'abord les solutions suggérées ici; elles pourraient vous éviter le coût d'une visite de service.

La presse ne compacte pas les déchets

- **Le tiroir est-il moins qu'à moitié rempli?**
Le tiroir doit être rempli à plus de la moitié avant que les déchets soient pressés.

Votre compacteur ne fonctionne pas

- **Le cordon d'alimentation est-il débranché?**
Le brancher dans une prise de courant à 3 alvéoles reliée à la terre.
- **Un fusible est-il grillé ou le disjoncteur s'est-il ouvert?**
Remplacer le fusible ou réenclencher le disjoncteur.
- **Le tiroir est-il complètement fermé?**
Bien fermer le tiroir et remettre de nouveau en marche le compacteur.
- **Le bouton à clé est-il tourné au complet à START (Mise en marche)?**
Tourner le bouton à clé (commutateur à clé) complètement à START (Mise en marche) et le relâcher (sur certains modèles). Voir la section "Mise en marche du compacteur".
- **Avez-vous appuyé sur ON (Marche) avant d'appuyer sur START (Mise en marche)?**
Appuyer sur ON (Marche) avant d'appuyer sur START (sur certains modèles). Voir la section "Mise en marche du compacteur".

Le tiroir ne s'ouvre pas

- **La presse est-elle complètement montée?**
Le tiroir s'ouvrira seulement lorsque la presse est complètement montée.
- **Pour monter la presse des modèles avec bouton à clé (ou commutateur à clé) :**
Tourner le bouton à clé (commutateur à clé) complètement à START (Mise en marche) et le relâcher. Voir la section "Mise en marche du compacteur".
- **Pour monter la presse des modèles avec commandes à boutons à enfoncer :**
Appuyer sur OFF (Arrêt) et ensuite appuyer sur ON (Marche). Voir la section "Mise en marche du compacteur".

Compression ou force insuffisante

- **Utilisez-vous assez souvent le programme du compacteur?**
La compression donne le meilleur résultat lorsqu'on ne place que quelques articles à la fois.

Les bouteilles ne se brisent pas

- **À quelle fréquence remarquez-vous cette situation?**
Toutes les bouteilles ne se briseront pas chaque fois. Le bris d'une bouteille dépend de la bouteille et de la charge de déchets qui se trouve en dessous.

RECYCLAGE AVEC VOTRE COMPACTEUR



PETE



HDPE



V



LDPE



PP



PS

Ces codes indiquent quel type de plastique a été utilisé dans la fabrication du contenant. Votre programme de recyclage confirmera quels sont les codes acceptés pour le recyclage.



OTHER

Les plastiques avec ce symbole ne peuvent pas être recyclés.



Les articles avec ce symbole peuvent être recyclés ou ont été fabriqués de matériaux recyclés.

Un compacteur rend plus efficaces les efforts de recyclage et de décharge de déchets.

Directives de recyclage

Contactez votre programme de recyclage local ou les organisations locales de recyclage pour savoir quels sont les articles acceptés pour le recyclage et comment ils doivent être préparés et organisés. Ces programmes fourniront les directives essentielles de recyclage :

- Méthode et fréquence de la collecte - collectes par les services publics et centres de dépôt.
- Les catégories des articles recyclables et comment les distinguer. Les contenants en plastique sont identifiés par des codes à la base. Triez-les selon le numéro à l'intérieur des flèches triangulaires. Par exemple, la plupart des bouteilles en plastique de boissons gazeuses et certaines bouteilles de nettoyants ont le code 1 ; la plupart des cruches de lait et d'eau et les contenants de produits de lessive et d'hygiène personnelle ont le code 2. Les contenants en papier et les boîtes en carton ont des symboles de recyclage pour indiquer si le contenant est recyclable.
- Préparation des articles recyclables. La plupart des programmes de recyclage fournissent des directives spécifiques sur la préparation. Par exemple, il faut rincer les canettes en aluminium et les contenants en plastique et enlever les couvercles, mais souvent les étiquettes peuvent demeurer à la surface.

IMPORTANT :

- Certains articles, tel que le verre, ne devraient pas être mis au compacteur.
- La plupart des programmes de recyclage n'accepteront pas le verre concassé.
- Vérifier votre programme de recyclage pour des directives spécifiques sur la préparation des articles recyclables.

Organisation de l'espace de recyclage

Des poubelles pratiques de recyclage sont fabriquées pour convenir dans le tiroir du compacteur. Ces poubelles, de même que les sacs en plastique de compacteur peuvent être achetés dans une variété de couleurs dans les magasins de quincaillerie et les supermarchés. Établir un système de sacs classés par couleur dans un endroit choisi, pour le traitement des articles recyclables. Chaque couleur peut représenter une catégorie d'articles recyclables, d'après les types spécifiés par votre programme de recyclage. Séparer les articles recyclables des articles non recyclables :

- Les articles recyclables peuvent être triés en utilisant les sacs avec codes de couleur. Préparer les articles d'après les directives fournies par votre programme de recyclage.
- Les articles non recyclables devraient être passés au compacteur parce que la compression réduit le volume de déchets à sa taille originale : quatre sacs de déchets peuvent être compactés en un sac. Ceci contribue à réduire le volume de décharge contrôlée et les charges relatives au transport d'ordures.

N'OUBLIEZ PAS : Ne vous attendez pas à ce que les articles qui contiennent peu d'air, tels que les journaux pliés, deviennent très compacts.

Compactage d'articles recyclables

La plupart des programmes de recyclage demandent que le client écrase ou aplatisse les articles recyclables tels que les plastiques, les canettes et le carton. Le compactage des articles recyclables contrôle le volume et ainsi réduit les frais de transport et aide aussi à contrôler l'espace de recyclage plus efficacement. Le compacteur est idéal pour une telle tâche. Lorsque le sac en plastique est assez plein pour demander d'être rendu compact, placer le sac dans le tiroir tel qu'indiqué dans "Installation d'un nouveau sac". Ensuite suivre les instructions dans "Utilisation du compacteur". Lorsque le programme de compactage est complété, enlever le sac en plastique tel qu'indiqué dans "Enlèvement d'un sac rempli" et le remettre en remisage jusqu'à ce qu'il soit assez rempli pour être recyclé.

N'oubliez pas que le compactage des articles recyclables et non recyclables signifie moins de déchets solides et moins de frais de transport de déchets et un meilleur environnement pour tout le monde.

Réduire - Réutiliser - Recycler

ASSISTANCE OU SERVICE

Avant de faire un appel pour assistance ou service, veuillez vérifier la section "Dépannage". Cette vérification peut vous faire économiser le coût d'une visite de service. Si vous avez encore besoin d'aide, suivre les instructions ci-dessous.

Lors d'un appel, veuillez connaître la date d'achat et les numéros au complet du modèle et de la série de votre appareil. Ces renseignements nous aideront à mieux répondre à votre demande.

Aux États-Unis

Si le problème n'est pas attribuable à l'une des raisons indiquées dans la section "Dépannage"...

Téléphonez au marchand où vous avez acheté l'appareil ou téléphonez à Maytag Appliance Sales Company ou à Assistance à la clientèle Jenn-Air en composant le 1-800-688-1100 ou le 1-423-472-3333 pour localiser une compagnie de service autorisée. Lors d'un appel, veuillez connaître la date d'achat et les numéros au complet du modèle et de la série de votre appareil. Assurez-vous de garder la preuve d'achat pour vérifier la durée de la garantie.

Si le marchand ou la compagnie de service ne peut pas résoudre votre problème, écrivez à :

Jenn-Air Customer Service

Attn.: CAIR® Center

P.O. Box 2370

Cleveland, TN 37320-2370

Adresse internet: www.jennair.com

ou composez le **1-800-688-1100**.

Les clients aux É.-U. utilisant le TTY pour les personnes sourdes, malentendantes ou mal parlantes, peuvent composer le **1-800-688-2080** (du lundi au vendredi, entre 8 h et 20 h HNE).

REMARQUE : Lors de correspondance ou d'un appel au sujet d'un problème d'entretien, veuillez inclure les renseignements suivants :

1. Vos nom, adresse et numéro de téléphone durant la journée.
2. Numéros de modèle et de série de l'appareil.
3. Nom et adresse de votre marchand ou du service d'entretien.
4. Une description claire du problème que vous avez.
5. Preuve d'achat (reçu de vente).

Toutes les spécifications sont sujettes à changement par le fabricant sans préavis.

Accessoires

Pour commander une trousse de garniture de couleur assortie pour l'installation d'un panneau personnalisé, communiquez avec votre marchand local autorisé.

Sacs de rechange - Appelez pour avoir le numéro de pièce.

Trousse de garnitures pour panneaux avant personnalisés :

Commandez la pièce n° TCDW (blanc), TCDB (noir), TCDQ (bisque) (trousse de garniture pour panneau personnalisé)

Commandez la pièce n° TCDS (panneau de porte en acier inoxydable)

GARANTIE DU COMPACTEUR JENN-AIR®

GARANTIE COMPLÈTE DE UN AN

Pendant un (1) an à compter de la date d'achat original au détail, toute pièce qui fait défaut en utilisation normale dans un foyer, sera réparée ou remplacée sans frais.

GARANTIE LIMITÉE DE DEUX ANS

De la deuxième jusqu'à la fin de la troisième année inclusivement après la date d'achat original au détail, les pièces qui font défaut en utilisation normale dans un foyer, seront réparées ou remplacées sans frais.

Free Manuals Download Website

<http://myh66.com>

<http://usermanuals.us>

<http://www.somanuals.com>

<http://www.4manuals.cc>

<http://www.manual-lib.com>

<http://www.404manual.com>

<http://www.luxmanual.com>

<http://aubethermostatmanual.com>

Golf course search by state

<http://golfingnear.com>

Email search by domain

<http://emailbydomain.com>

Auto manuals search

<http://auto.somanuals.com>

TV manuals search

<http://tv.somanuals.com>