

INSTALLATION INSTRUCTIONS

Prostyle Cooktops
JGCP430ADP, JGCP636ADP,
and JGCP648ADP

JENN-AIR

403 WEST FOURTH STREET, NORTH • NEWTON, IA 50208



SPECIAL WARNING

Improper installation, adjustment, alteration, service, maintenance or use of appliance can result in serious injury or property damage.

JGCP648ADP

IMPORTANT
CUTOUT
DIMENSIONS
ARE
CRITICAL

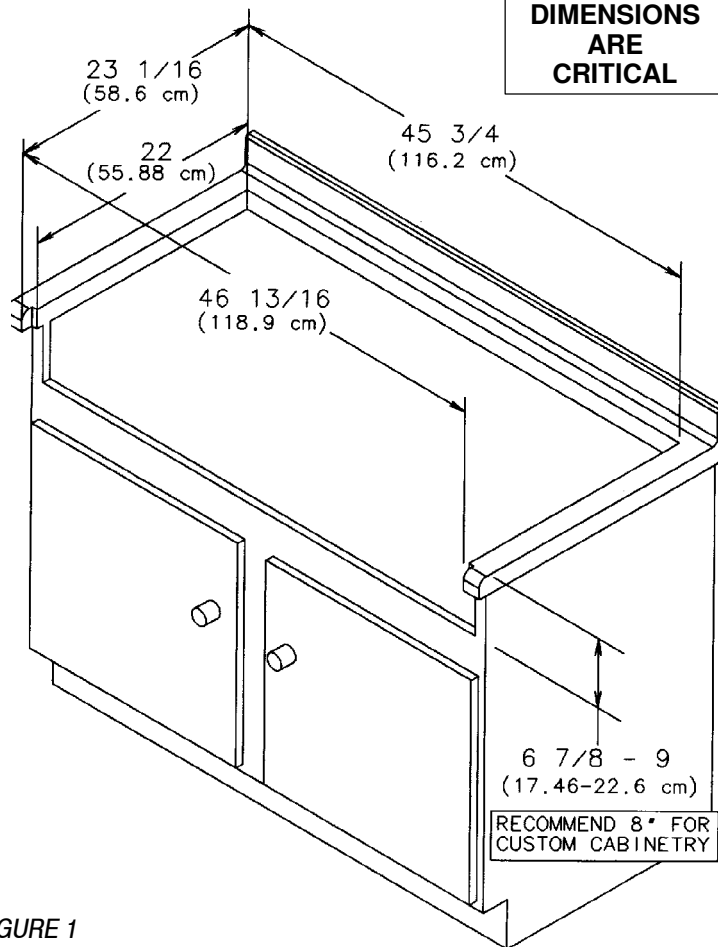
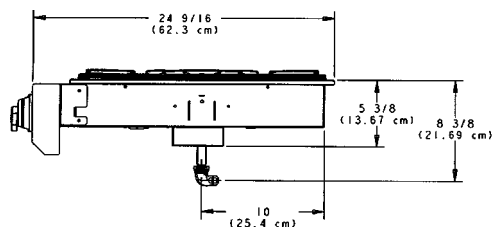
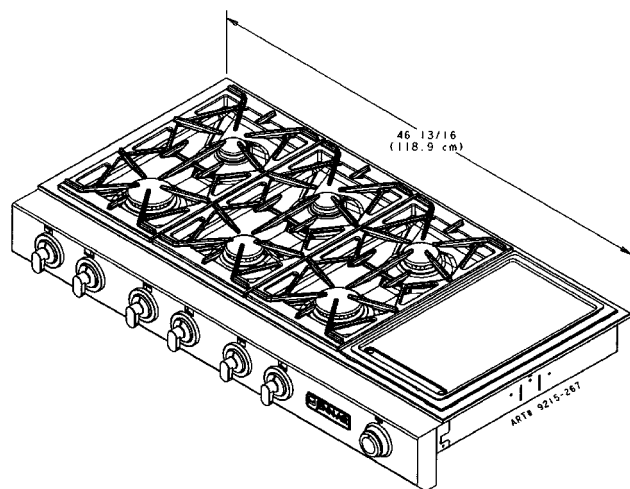


FIGURE 1

- **ACCESS MUST BE PROVIDED TO REMOVE AN EMPTY GREASE CONTAINER.**
- **NOTICE TO INSTALLER:** Leave these instructions with the appliance.
- **NOTICE TO CONSUMER:** Retain these instructions for future reference.

8101P546-60
(12-03-01)

JGCP636ADP

IMPORTANT
CUTOUT
DIMENSIONS
ARE
CRITICAL

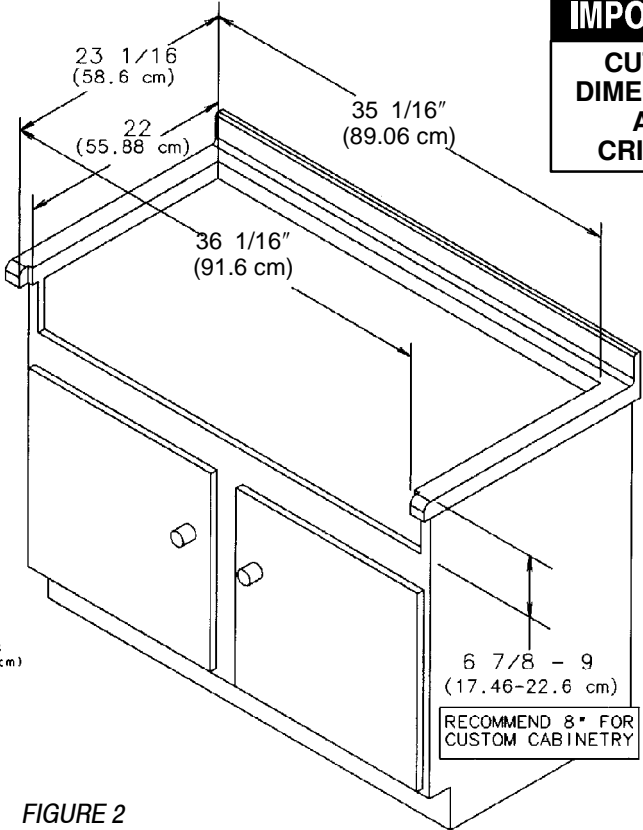
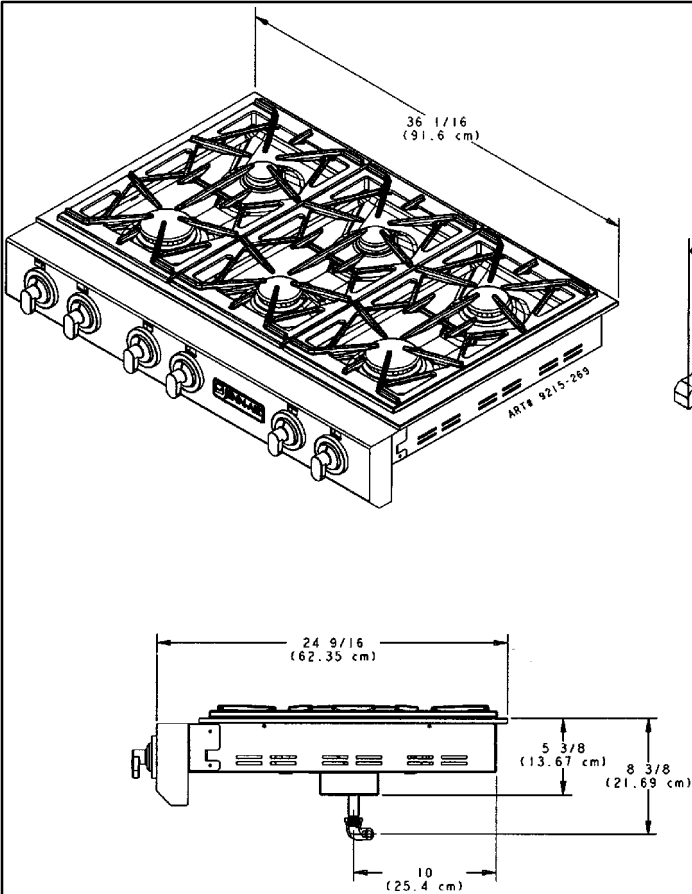


FIGURE 2

JGCP430ADP

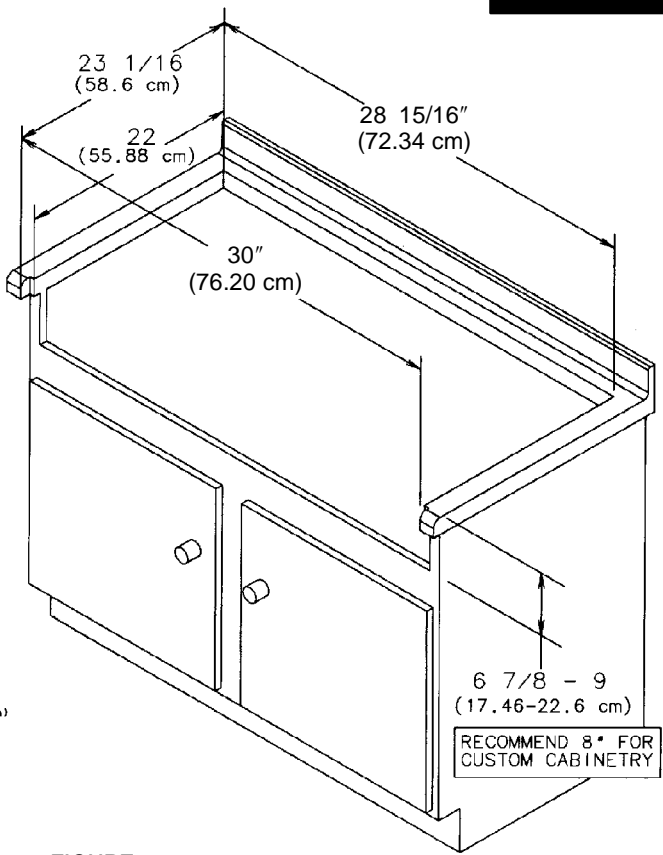
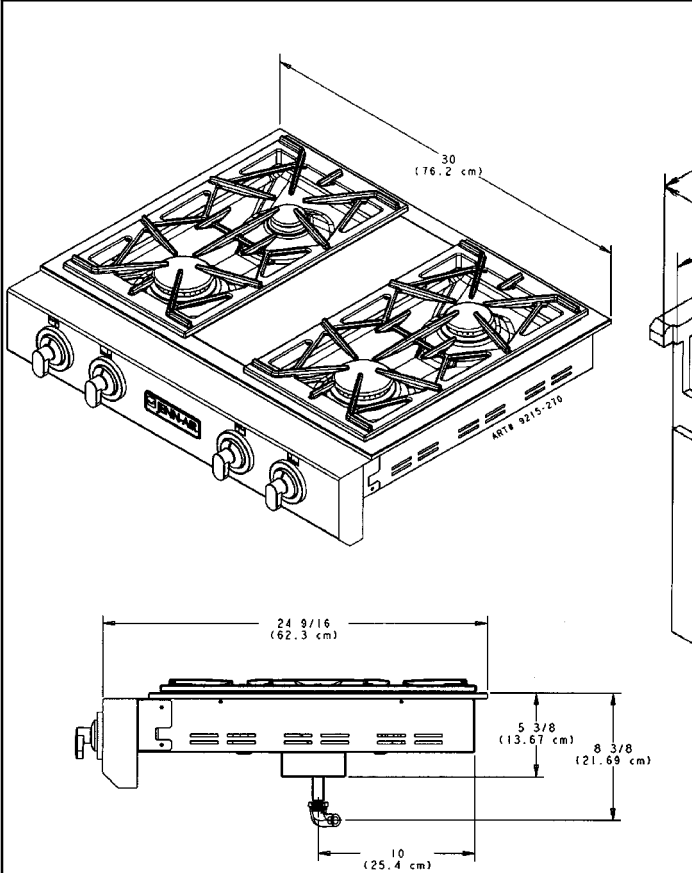


FIGURE 3

Installing Cabinetry Over Your Jenn-air Grill

Minimum horizontal clearance between the edge of the appliance and combustible construction extending from the cooking surface to 18" (45.7 cm) above the cooking surface is:

- 15/16" (2.38 cm) at rear
- 6" (15.24 cm) at left side
- 6" (15.24 cm) at right side

NOTE: This is not the recommended clearance, but minimum allowable clearance.

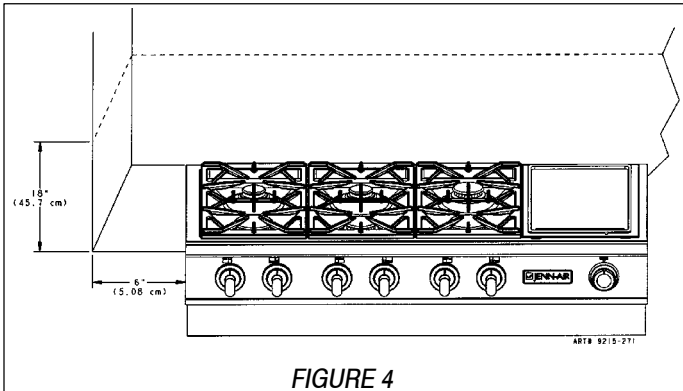


FIGURE 4

A = 30" (76.2 cm) minimum vertical clearance between cooking surface and construction above the appliance. The underside of combustible material or metal cabinets above the cooking top must be protected with flame retardant millboard not less than 1/4" (0.635 cm) thick.

B = 13" (33.02 cm) maximum depth of cabinets installed above cooking top.

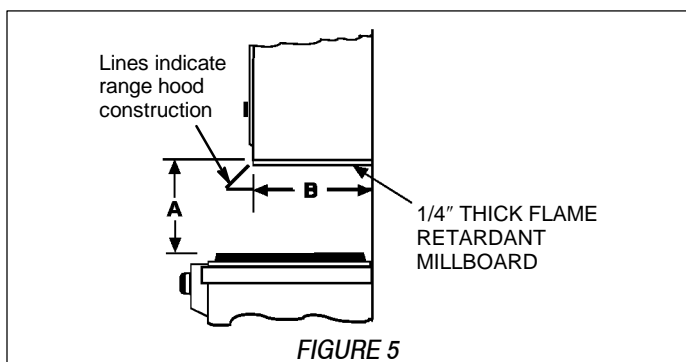


FIGURE 5

Avoid use of cabinets above cooktop for storage space to eliminate associated potential hazards such as reaching over open flames.

*To eliminate the risk of burns or fire by reaching over heated surface units, cabinet storage space located above the surface units should be avoided. If cabinet storage is to be provided, the risk can be reduced by installing a range hood that projects horizontally a minimum of 5 inches beyond the bottom of the cabinets.

Preparation Of Countertop

The countertop cutout must be prepared according to the illustrations on pages 1 and 2 of these instructions.

CAUTION: Cutout dimensions are critical. Dimensions must be measured and cut accurately to within $\pm 1/16$ " (.159 cm) to ensure proper fit.

Important Preparation Suggestions

1. Chamfer all exposed edges of decorative laminate to prevent damage from chipping.
2. Radius corners of cutout and file to insure smooth edges and prevent corner cracking.
3. Rough edges, inside corners which have not been rounded and forced fits can contribute to cracking of the countertop laminate.
4. Countertop must be supported within 3" (7.62 cm) of cutout.

Installation Of Appliance

The installation of this appliance must conform with local codes or, in the absence of local codes, with the National Fuel Gas Code, ANSI Z223.1-Latest Edition, or, in Canada, CAN/CGA-B149 Installation Code, Latest Edition.

This appliance, when installed, must be electrically grounded in accordance with local codes or, in the absence of local codes, with the National Electrical Code ANSI/NFPA No. 70-Latest Edition, or, in Canada, current CSA Standard C22.1 Canadian Electrical Code, Part 1.

All supply piping, except as noted, should use common National Pipe Thread (N.P.T.). For all pipe connections use an approved pipe joint compound resistant to the action of LP gas.

CAUTION: Warranty is void on Jenn-Air equipment installed other than as recommended by manufacturer.

This appliance is designed for use with the appliance gas pressure regulator supplied with this appliance. It must be installed in the gasway ahead of the gas manifold entrance. It is preset for use with natural gas and must be converted for use with LP gas.

This appliance is designed to operate at a pressure of 5 inches of water column on natural gas or, if converted for use with LP gas (propane or butane), 10 inches water column. Make sure this appliance is supplied with and adjusted for the type of gas for which it is designed.

Installation Of Appliance

This appliance was adjusted at the factory for use with natural gas. If, at any time, this appliance is to be used with a different type of gas, all of the conversion adjustments must be made by a qualified service technician before attempting to operate the cooktop on that gas. Natural gas should be supplied to the appliance pressure regulator at a line pressure between 6 and 14 inches of water column or, if converted for LP gas, between 11 and 14 inches.

WARNING

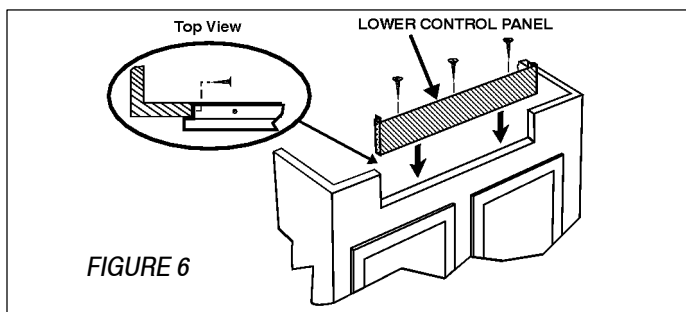
If the line pressure supplying the appliance pressure regulator exceeds 14" W.C. (any gas), an external regulator must be installed in the gas line ahead of the appliance regulator to reduce the pressure to no more than 14" W.C. Failure to do this can result in malfunction and damage to the appliance.

Insure this appliance is adjusted for the type of gas supplied to it and that the gas supply pressure to the appliance regulator is within the proper pressure range.

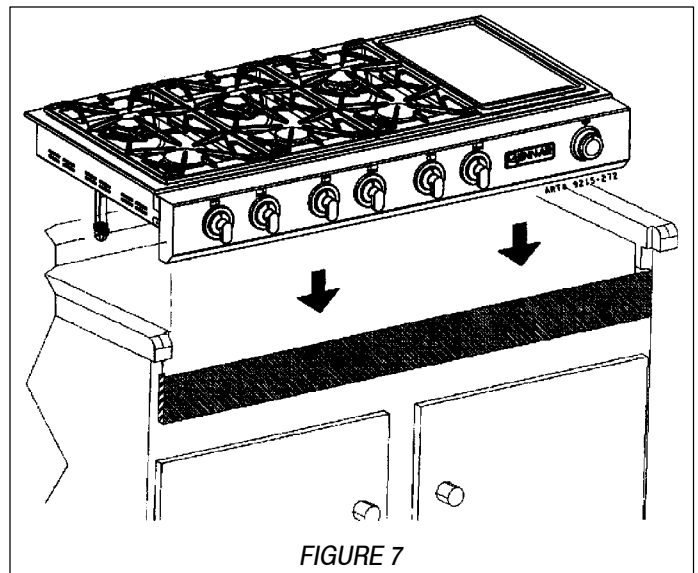
Do not remove protective cap from pipe stub at manifold entrance until ready to join gas supply piping to appliance.

The Countertop Cutout and Cabinet Front Cutout should be prepared according to the illustrations on pages 1 and 2.

Install the Lower Control Panel in the bottom of the Cabinet Cutout as shown using screws from Hardware pack (Figure 6).



Position unit in the Countertop Cutout. Main Control Panel should overlap top of Lower Control Panel as shown (Figure 7).



NOTE: For some cabinet styles, it may be necessary to reinforce the front of the cabinet by attaching a brace from front to rear inside the cabinet under the Burner Box.

CAUTION: Warranty is void on JENN-AIR equipment installed other than as recommended by manufacturer.

Join the appliance pressure regulator supplied with this appliance to the entrance threads of the Gas Manifold. The appliance regulator is marked with a directional arrow indicating correct direction of gas flow. Ensure the appliance regulator is installed with the arrow pointing toward the gas manifold entrance. Tighten the appliance regulator to 20 to 30 ft-lbs of torque.

IMPORTANT

Never tighten to more than 35 ft-lbs of torque. Always use an approved pipe joint compound resistant to the action of LP gas.

Install the appliance in its counter cutout.

Make the gas connection to the inlet of the appliance pressure regulator with 1/2" male pipe threads.

Install a manual shut-off valve in an accessible location in the gas line ahead of the appliance pressure regulator and external to this appliance for the purpose of turning on or shutting off gas to the appliance.

Make additional pipe connections as necessary ahead of the shut-off valve to the gas supply source. Assure all pipe joint connections are gas tight.

Gas Supply Connection

A TRAINED SERVICEMAN OR GAS APPLIANCE INSTALLER MUST MAKE THE GAS SUPPLY CONNECTION. Leak testing of the appliance shall be conducted by the installer according to the instructions below.

Apply a non-corrosive leak detection fluid to all joints and fittings in the gas connection between the supply line shut-off valve and the range. Include gas fittings and joints in the range if connections were disturbed during installation. Check for leaks! Bubbles appearing around fittings and connections will indicate a leak. If a leak appears, turn off supply line gas shut-off valve, tighten connections, turn on the supply line gas shut-off valve, and retest for leaks.

CAUTION: NEVER CHECK FOR LEAKS WITH A FLAME.

WHEN LEAK CHECK IS COMPLETE, WIPE OFF ALL RESIDUE.

If the alternative piping method shown in figure 8 is selected for the installation, no ground joint union is required. (The flexible appliance connector illustrated provides the union joints necessary for servicing.) When a dividing wall is present and a flexible connector is used it is recommended for convenience, in both installation and service, the flexible connector, itself, pass through the dividing wall. **Any flexible connector used with this appliance must satisfy all requirements stated in the text following figure 8.**

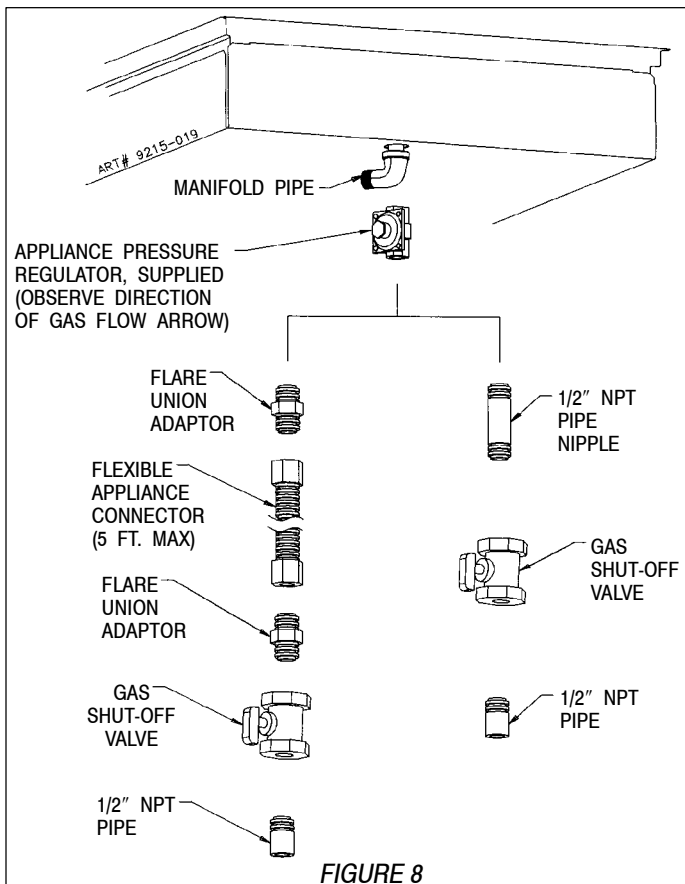


FIGURE 8

Unless prohibited by local codes or ordinances, a new A.G.A. - Certified, flexible metal appliance connector may be used to connect this appliance to its gas supply. The connector must have an internal diameter not less than nominal 1/2" NPT pipe and be no more than 5 feet in length. A 1/2" NPT x 1/2" flare union adapter is required at each end of the flexible connector. If a flexible connector is used assure that both the appliance pressure regulator and manual shut-off valve are joined solidly to other permanent hard piping (either gas supply or the appliance manifold) so as to be physically stationary.

CAUTION: Do not attempt to attach the flexible connector directly to an external pipe thread. Connection requires flare union adapters.

Pressure Testing

The appliance must be isolated from the gas supply piping system by closing its individual manual shut-off valve during any pressure testing of the gas supply piping system at test pressures equal to or less than 1/2 PSIG (3.5 kPa).

This appliance, as well as its individual shut-off valve, must be disconnected from the gas supply piping system during any pressure testing of the system at test pressures in excess of 1/2 PSIG (3.5 kPa).

When checking appliance regulator function, make certain pressure of natural gas supply is between 6 and 14 inches of water column or, if converted for LP gas, between 11 and 14 inches.

Electrical Wiring Information

This appliance is equipped with a grounded type power cord. A grounded outlet must be provided.

The power cord extends 45" outside the unit housing. The outlet should be located inside the cutout width and below the lowest most projection of the unit housing.

! WARNING

ELECTRICAL GROUNDING INSTRUCTIONS

THIS APPLIANCE IS EQUIPPED WITH A THREE PRONG GROUNDING PLUG FOR YOUR PROTECTION AGAINST SHOCK HAZARD AND SHOULD BE PLUGGED DIRECTLY INTO A PROPERLY GROUNDING RECEPTACLE. DO NOT CUT OR REMOVE THE GROUNDING PRONG FROM THIS PLUG.

! WARNING

THIS APPLIANCE MUST BE DISCONNECTED FROM ITS ELECTRICAL SUPPLY AT THE WALL RECEPTACLE BEFORE SERVICING THE APPLIANCE.

Converting Appliance For Use With LP Gas

WARNING

Propane conversion is to be performed by a JENN-AIR AUTHORIZED SERVICER (or other qualified agency) in accordance with the manufacturer's instructions and all codes and requirements of the authority having jurisdiction. Failure to follow instructions could result in serious injury or property damage. The qualified agency performing this work assumes responsibility for this conversion.

WARNING

Electrical power and gas must be turned off prior to conversion.

This appliance was adjusted at the factory for use with natural gas. To convert it for use with LP gas (propane or butane), each of the following modifications must be performed:

A. Replace all orifice spuds

Step 1: Remove the grates and burner caps.

Step 2: Remove burner base by removing 2 screws.
(See figure 9.)

Step 3: Firmly press 9/32" (or 7mm) nut driver over the orifice spud (figure 9) and loosen spud by turning counterclockwise. Carefully lift nut driver out of burner throat. Orifice spud should be captured in the recess. Repeat this step for each burner.

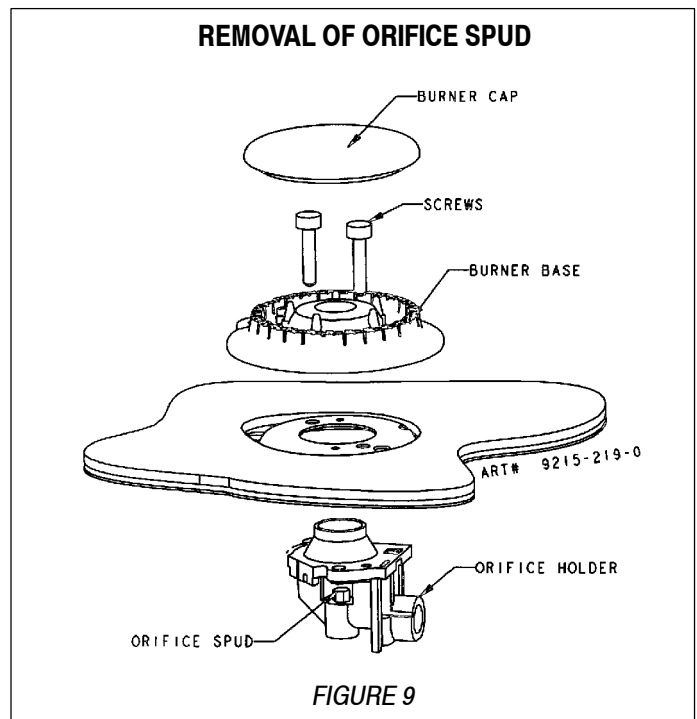
Step 4: Locate the LP orifice spud packet included in the literature packet. The spuds have small

numbers stamped on the side. This number codes the orifice diameter and its correct burner location. Figures on page 7 show the correct LP orifice spud location.

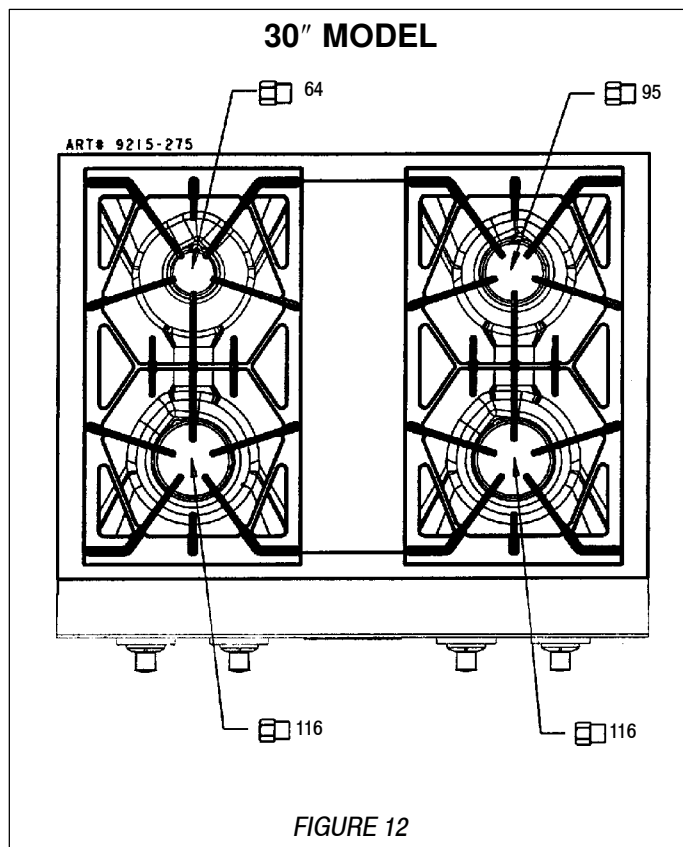
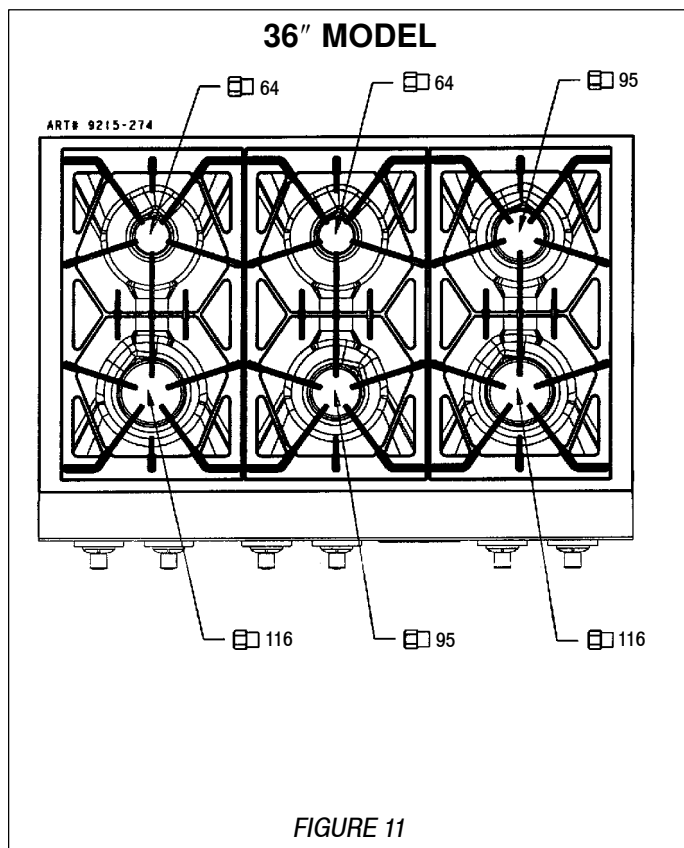
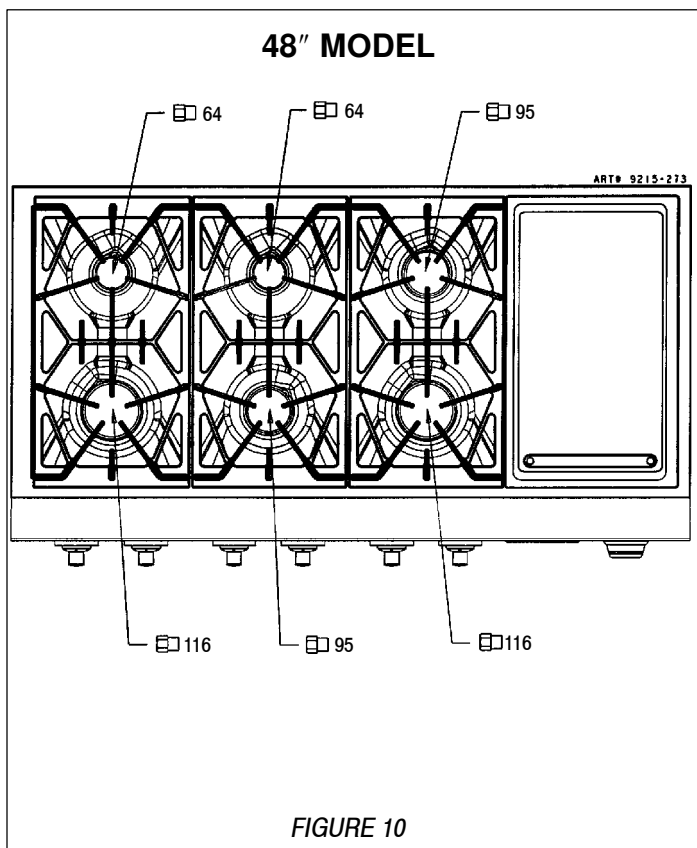
Step 5: Carefully install the orifice spud in the appropriate burner throat by turning clockwise to tighten. Tighten to a torque of 15 to 20 inch-lbs.

Step 6: Replace burner base, caps, and grates. Tighten screws (do not cross thread) to 25-30 inch-lbs.

Step 7: Save the orifices removed from the appliance for future use.

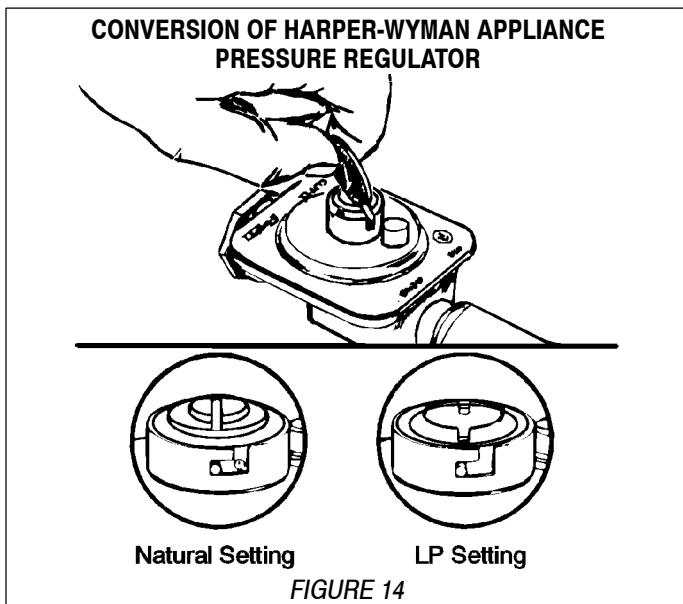
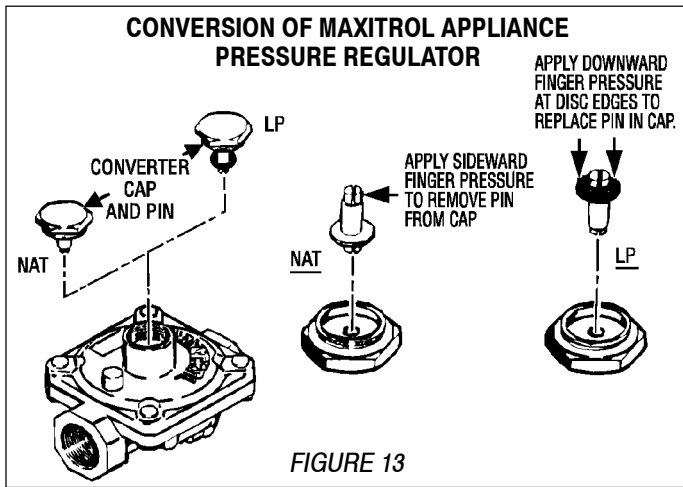


Installation Of LP Orifice Spuds



B. Invert cap in appliance pressure regulator

With the appliance installed, identify the type of appliance regulator on the unit and follow the instructions in the appropriate illustration.



C. Low Flame Adjustment

This appliance is shipped from the factory with low and medium flame settings adjusted for use with natural gas. If further adjustment is necessary, or to readjust for use with LP, proceed as follows:

1. Light burner and set control knob for low flame.
2. Remove control knob from valve stem.

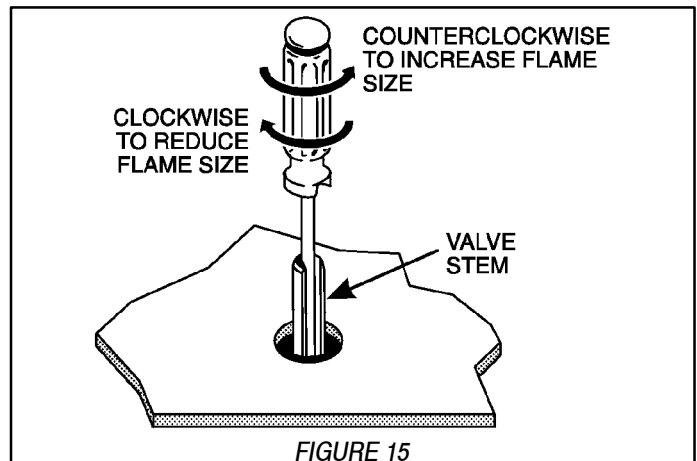
CAUTION: NEVER USE A METAL BLADE TO PRY KNOB OFF. IF KNOB CANNOT BE EASILY REMOVED, TUCK THE FOLDS OF A CLOTH DISHTOWEL UNDER THE KNOB AND PULL THE TOWEL OUTWARD WITH STEADY, EVEN PRESSURE.

3. Insert a slender, thin-blade screwdriver into the recess at center of valve stem and engage blade with slot in adjusting screw.

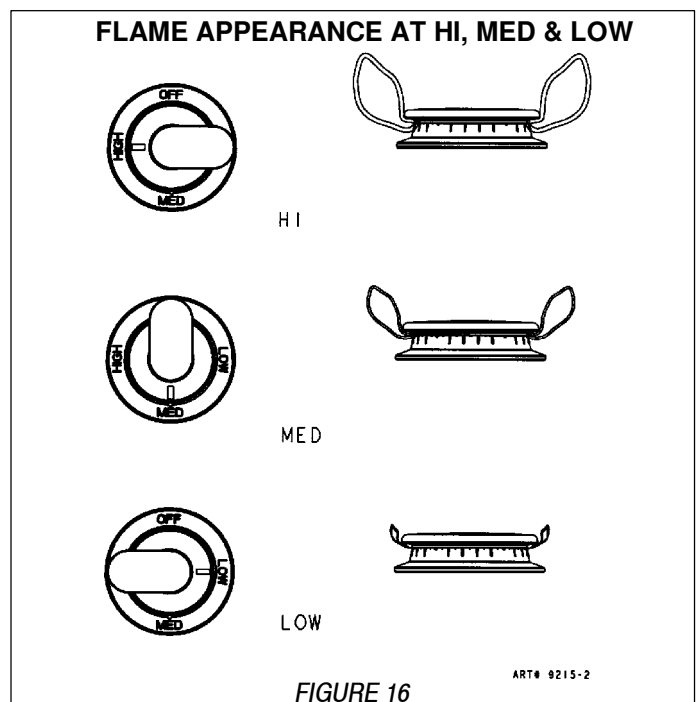
4. Turn center stem adjusting screw to set flame size.
 - ... clockwise to reduce
 - ... counterclockwise to increase
5. Replace control knob when adjustment is completed.

Proper adjustment will produce a stable, steady blue flame of minimum size. The final adjustment should be checked by turning knob from high to low several times without extinguishing the flame.

This adjustment, at low setting, will automatically provide the proper flame size at medium setting.



After Conversion Steps A, B and C have been completed, check the appearance of each burner's flame at the Hi and Lo settings against figure 16. If the flames appear too large or too small, review each step to make sure it was completed correctly.



To Convert Appliance For Use With Natural Gas



WARNING

Electrical power and gas must be turned off prior to conversion.

If this appliance has been converted for use with LP gas, each of the following modifications must be performed to convert the unit back to natural gas.

A. Replace all orifice spuds

Perform Steps 1 through 3 on page 6.

For Step 4: Locate the colored brass natural gas orifice spuds that were originally installed in this appliance before its conversion for use with LP gas. Observe the color of each of the spuds and note the correct burner location for each spud as shown on page 10 figures 17, 18 or 19.

Complete Steps 5, 6, and 7 on page 6 to complete the installation of natural gas main spuds in their correct locations.

Save the orifices removed from the appliance for future use. They will be needed if this appliance is again converted for use with LP gas.

B. Invert cap in appliance pressure regulator.

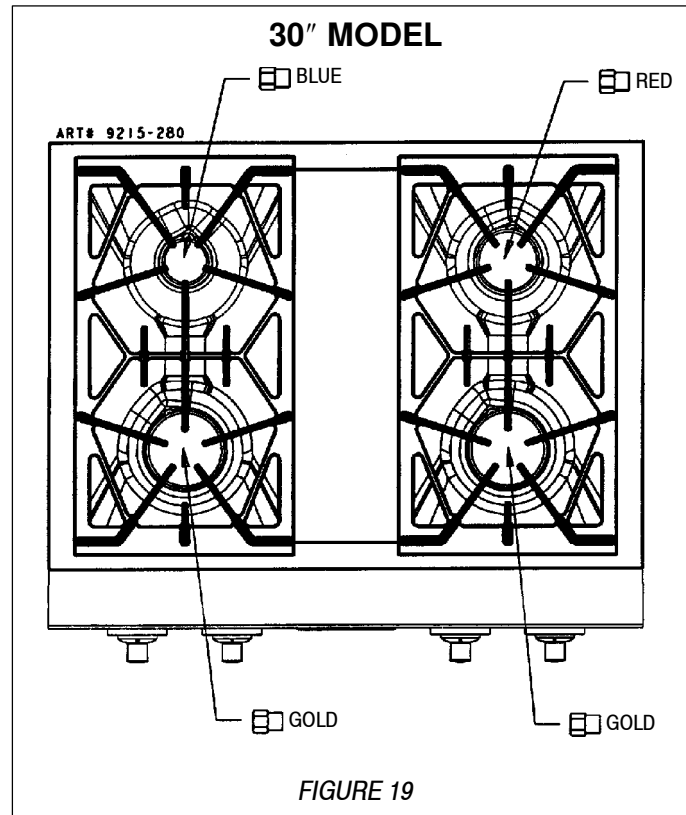
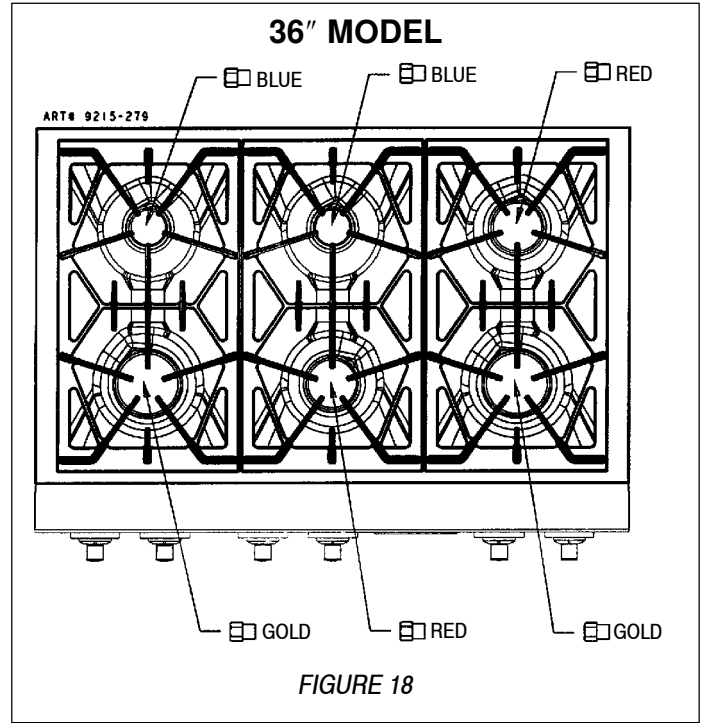
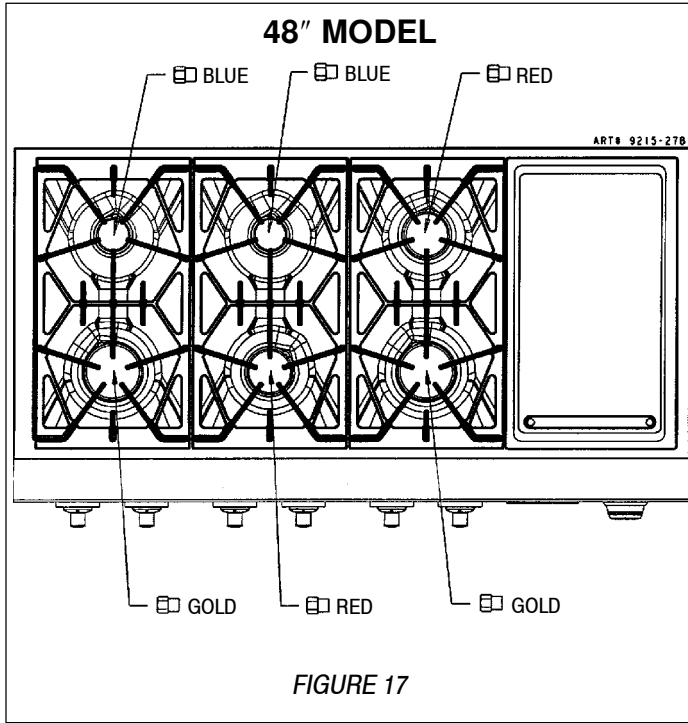
(See figure 13 or 14.)

With the appliance installed the appliance regulator should be located as shown in figure 8. Identify the type of appliance regulator and follow the instructions in the appropriate illustration.

C. Adjust low flame as instructed on page 8 item C.

After Steps A, B and C have been completed, check the appearance of each burner's flame at the Hi and Lo settings against figure 16. If the flames appear too large or too small, make sure all steps were completed correctly.

Installation Of Natural Gas Orifice Spuds



Burner Ignition And Auto-Reignition

This appliance is equipped for electronic auto-reignition by means of a spark igniter located at the rear of each burner. The burners are designed to light at any valve rotation that admits sufficient gas flow to support a flame and to automatically relight following a loss of flame due to a draft or other adverse condition. This feature is provided as a convenience and is not intended as a safety feature.

This appliance has no air shutters. Primary air adjustments are unnecessary. The burners are designed to provide optimum aeration for all gases without air shutters. When operating properly, burners should produce clearly defined, even blue flames. If the flames have yellow tips or are hazy and otherwise appear to have insufficient air, obtain the services of a qualified service technician.

Specified input rates are as shown below.

JGCP430ADP

BURNER LOCATION	INPUT RATES - NATURAL GAS (BTU/HR)	
	Hi	Lo
Right Front	17K	1700
Right Rear	9.2K	1050
Left Front	17K	1700
Left Rear	5K	600

JGCP636ADP and JGCP648ADP

BURNER LOCATION	INPUT RATES - NATURAL GAS (BTU/HR)	
	Hi	Lo
Right Front	17K	1700
Right Rear	9.2K	1050
Center Front	9.2K	1050
Center Rear	5K	600
Left Front	17K	1700
Left Rear	5K	600

Model JGCP648ADP includes 1300 Watt Electric Griddle Accessory.

Required Adjustments At Time Of Installation

The installation of this appliance must conform with local codes, or in the absence of local codes, with the latest edition of the National Fuel Gas Code ANSI Z223.1 USA or current CAN/CGA-B149 INSTALLATION CODE.

- This appliance was manufactured for use with Natural Gas. If LP gas is the fuel of choice, follow the conversion to LP procedure found in the installation instructions.
- Test all external connections for gas leaks. Never test for gas leaks with an open flame.
- Test all electrical connections.



403 WEST FOURTH STREET, NORTH • NEWTON, IA 50208



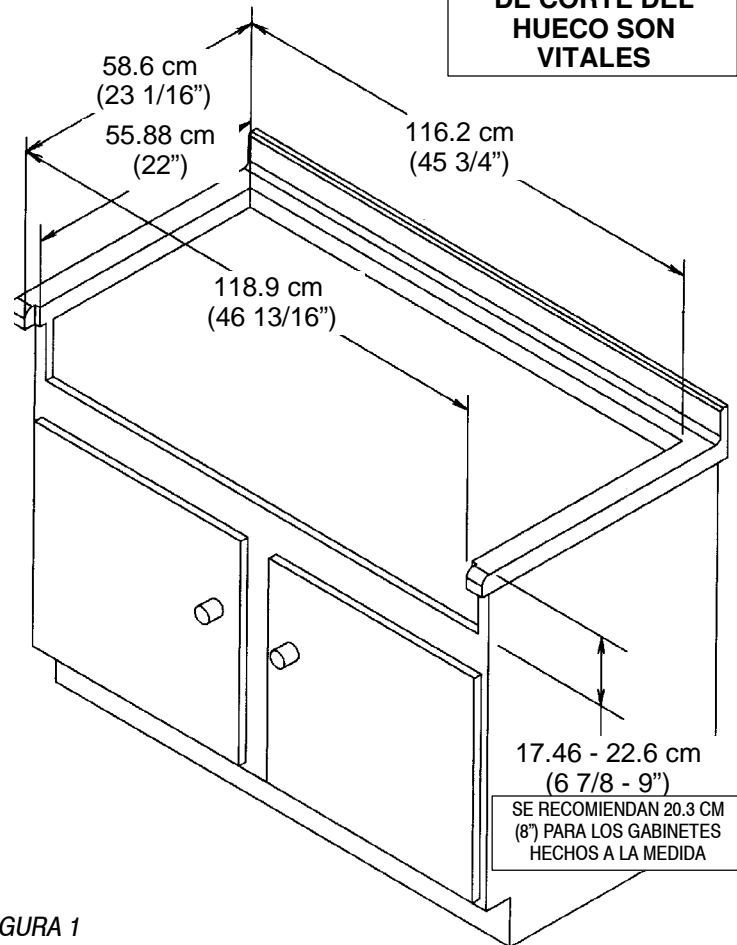
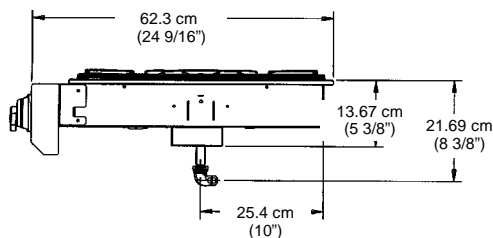
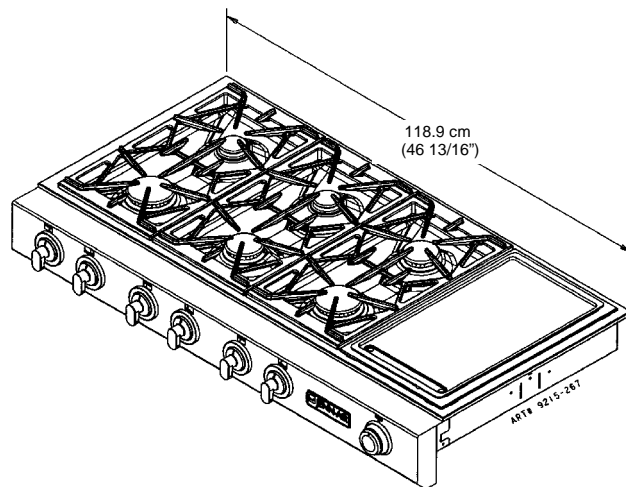
ADVERTENCIA ESPECIAL

La instalación, los ajustes, el servicio, el mantenimiento o el uso incorrectos, así como las alteraciones del electrodoméstico, pueden causar lesiones graves o daños materiales.

JGCP648ADP

IMPORTANTE

LAS DIMENSIONES DE CORTE DEL HUECO SON VITALES



SE RECOMIENDAN 20.3 CM (8") PARA LOS GABINETES HECHOS A LA MEDIDA

FIGURA 1

- **DEBE PROPORCIONARSE ACCESO PARA QUITAR LOS RECIPIENTES DE GRASA VACÍOS.**
- **AVISO AL INSTALADOR:** Deje las instrucciones con el electrodoméstico.
- **AVISO AL PROPIETARIO:** Conserve estas instrucciones como referencia futura.

JGCP636ADP

IMPORTANTE

LAS DIMENSIONES DE CORTE DEL HUECO SON VITALES

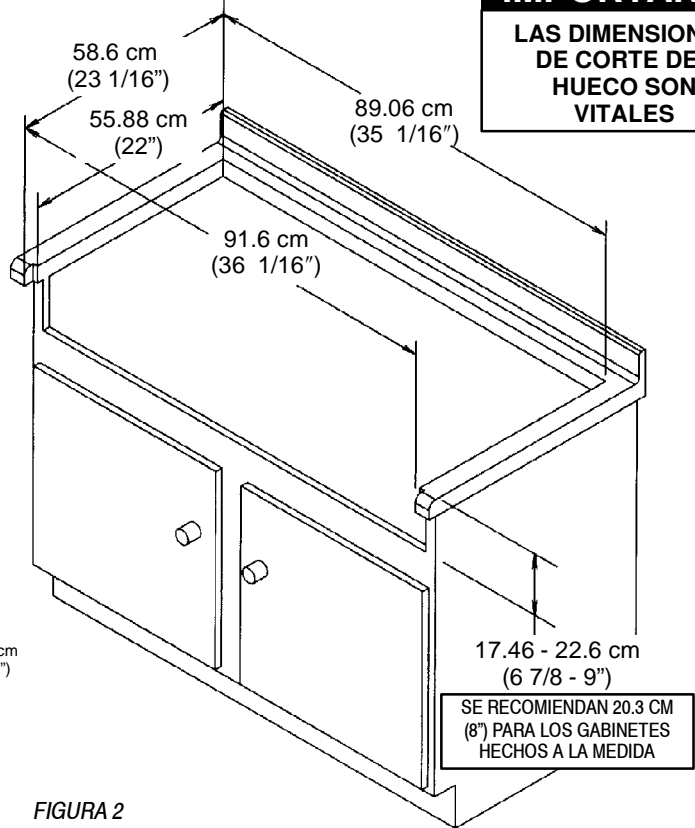
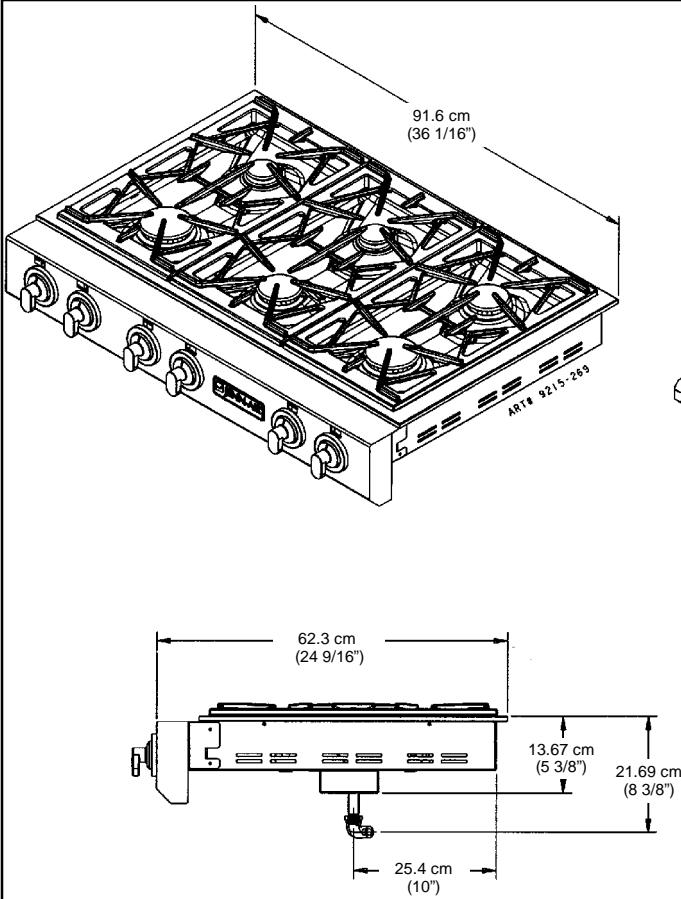


FIGURA 2

JGCP430ADP

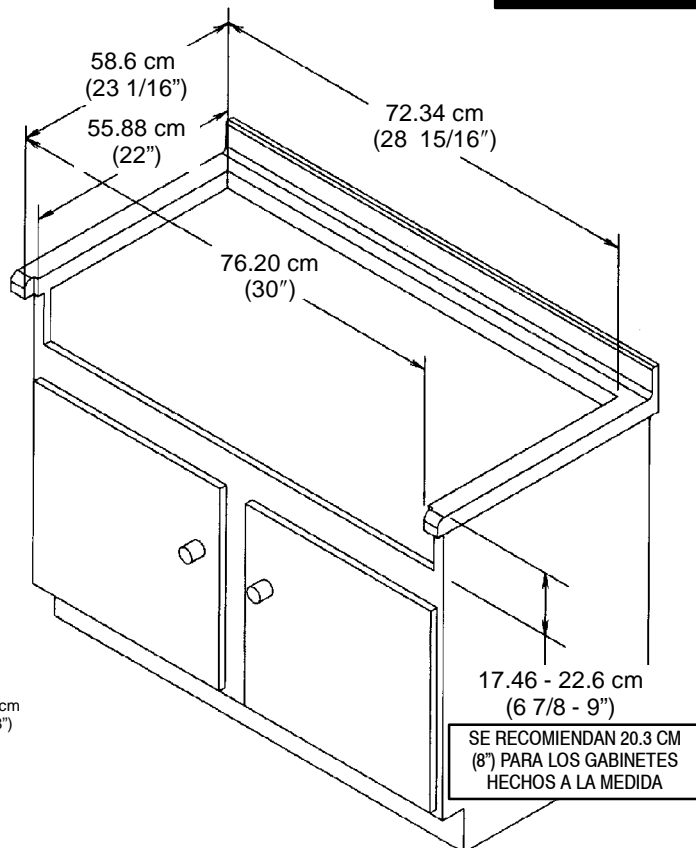
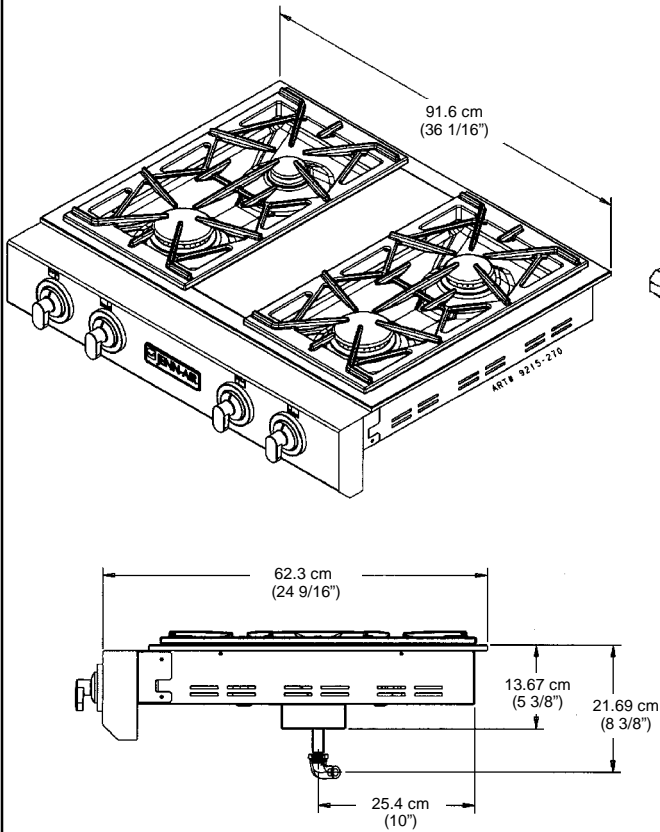


FIGURA 3

Instalación de los gabinetes por encima de la parrilla Jenn-Air

El espacio libre mínimo horizontal entre el borde del electrodoméstico y la construcción combustible que se extienda de la superficie para cocinar a 45.7 cm (18") por encima de la superficie para cocinar es:

- 15/16" (2.38 cm) en la parte posterior
- 6" (15.24 cm) al lado izquierdo
- 6" (15.24 cm) al lado derecho

NOTA: Éste no es el espacio libre recomendado, sino el espacio libre mínimo permitido.

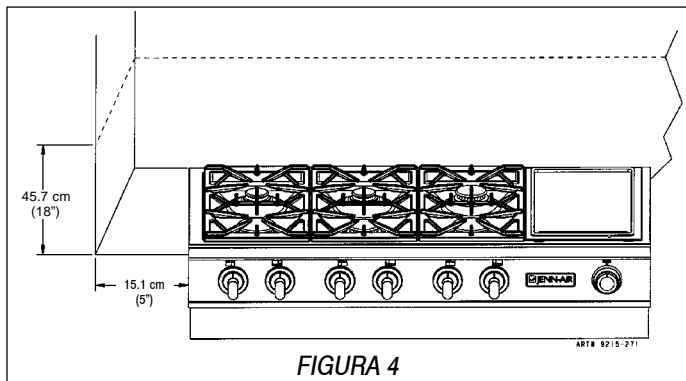


FIGURA 4

A = 76.2 cm (30") de espacio libre vertical mínimo entre la superficie para cocinar y la construcción por encima del electrodoméstico, la parte inferior del material combustible o los gabinetes de metal encima de la parte superior de la superficie para cocinar deben estar protegidos con un recubrimiento de cartón ordinario de combustión lenta cuando menos de 0.635 cm (1/4") de grosor.

B = 33.02 cm (13") de profundidad máxima de los gabinetes instalados por encima de la superficie para cocinar.

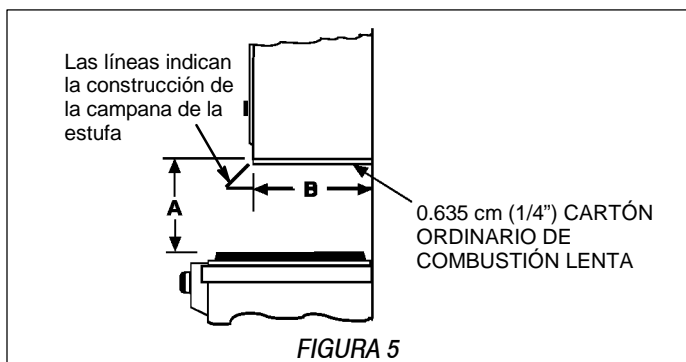


FIGURA 5

Evite usar los gabinetes que están encima de la superficie para cocinar para eliminar los peligros potenciales como alcanzar algo por encima de las llamas encendidas.

*Para eliminar el riesgo de quemaduras o incendios al atravesarse por encima de las unidades calientes de la superficie, debe evitarse el almacenaje en los gabinetes por encima de las unidades de la superficie. Si se va a proporcionar almacenaje, puede reducirse el riesgo instalando una campana de estufa que sobresalga horizontalmente cuando menos 12.7 cm (5") más que los gabinetes inferiores.

Preparación para el mostrador

El hueco del mostrador debe prepararse de acuerdo a las ilustraciones de las páginas 1 y 2 de estas instrucciones.

PRECAUCIÓN: Las dimensiones del hueco son vitales. Las dimensiones deben medirse y cortarse con precisión de entre ± 0.159 cm (1/16") para garantizar el ajuste correcto.

Sugerencias importantes de preparación

1. Achaflane todos los bordes expuestos del laminado decorativo para evitar que se astille.
2. Redondee las esquinas del hueco y lijelas para garantizar que los bordes estén lisos y evitar que se quiebren las esquinas.
3. Los bordes burdos en las esquinas interiores que no se hayan redondeado y los ajustes forzados pueden contribuir a que se quiebre el laminado del mostrador de la cocina.
4. El mostrador de la cocina debe estar apoyado a menos de 7.62 cm (3") del corte del hueco.

Instalación del electrodoméstico

La instalación de este electrodoméstico debe estar en conformidad con los códigos locales o, si no existieran dichos códigos, con la última edición del Código Nacional de Gas Combustible, ANSI Z223.1 —o bien, en Canadá, con la última edición del Código de Instalación CAN/CGA-B149.

Este electrodoméstico, cuando se instale, debe conectarse a tierra de acuerdo con los códigos locales, o en la ausencia de códigos locales, con la última edición del Código Nacional Eléctrico ANSI/NFPA No. 70 —o bien, en Canadá, con el Código Eléctrico Canadiense actual CSA Norma C22.1, Parte 1.

Toda la tubería de suministro, excepto según se especifique, deberá usar tubería de rosca nacional (National Pipe Thread, NPT). En todas las conexiones de la tubería use un compuesto de uniones aprobado que sea resistente a la acción del gas LP.

PRECAUCIÓN: La garantía queda anulada en los equipos Jenn-Air instalados de otra manera que no sea la recomendada por el fabricante.

Este electrodoméstico está diseñado para usarse con el regulador de presión de gas provisto con él. Debe instalarse en una tubería de gas más adelante de la entrada del múltiple de gas. Está preajustado para usarse con gas natural y debe convertirse para usarse con gas LP.

Este electrodoméstico está diseñado para operar a una presión de 5 pulgadas de columna de agua en gas natural o, si se convierte a gas LP (propano o butano), de 10 pulgadas de columna de agua. Asegúrese de que este electrodoméstico reciba el suministro del gas para el cual se diseñó y ajustó.

Instalación del electrodoméstico

Este electrodoméstico se ajustó de fábrica para usarse con gas natural. Si en algún momento, este electrodoméstico se usará con un tipo diferente de gas, deberán realizarse todos los ajustes mencionados, un técnico calificado de servicio debe realizar dichos ajustes, antes de tratar de operar la superficie para cocinar con ese gas. El gas natural deberá suministrarse al regulador de presión a una presión de tubería de entre 15.24 y 35.56 cm (6 y 14 pulgadas) de columna de agua o, si se convirtió a gas LP, a entre 27.9 y 35.56 cm (11 y 14 pulgadas).

ADVERTENCIA

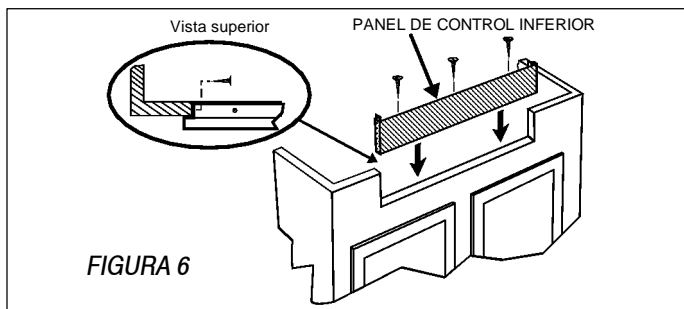
Si la presión de la tubería que surte al regulador de presión sobrepasa las 35.56 cm (14") de columna de agua (con cualquiera de los dos tipos de gas), deberá instalarse un regulador externo en la tubería de gas antes del regulador para reducir la presión a no más de 35.56 cm (14") de columna de agua. No hacer esto podría causar un mal funcionamiento y daños a la unidad.

Asegúrese de que este electrodoméstico esté ajustado al tipo de gas que se surtirá y que la presión de suministro de gas al regulador de presión esté dentro de la escala de presión correspondiente.

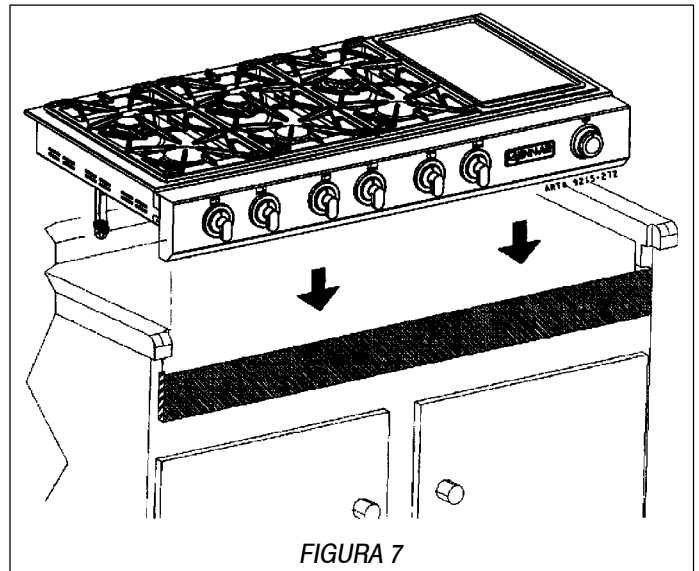
No quite el tapón protector de la saliente de la tubería en la entrada del múltiple hasta que esté listo para unir la tubería del suministro de gas al electrodoméstico.

El hueco del corte del mostrador y el del frente del gabinete deben prepararse de acuerdo con las ilustraciones de las páginas 1 y 2.

Instale el panel inferior de control en el fondo del hueco del gabinete según se muestra usando los tornillos del paquete de herrajes (Figura 6).



Coloque la unidad en el hueco del mostrador. El panel principal de control deberá quedar traslapado sobre la parte superior del panel inferior de control como se muestra en la (Figura 7).



NOTA: En algunos estilos de gabinete, podría ser necesario reforzar el frente del gabinete sujetando un soporte desde adelante hasta atrás por dentro del gabinete, debajo de la caja del quemador.

PRECAUCIÓN: La garantía queda anulada en los equipos Jenn-Air instalados de otra manera que no sea la recomendada por el fabricante.

Una el regulador de presión provisto con este electrodoméstico a las roscas de entrada del múltiple de gas. El regulador del electrodoméstico está marcado con una flecha que indica la dirección correcta del flujo de gas. Verifique que el regulador esté instalado con la flecha orientada hacia la entrada del múltiple. Apriete el regulador a una torsión de 20 a 30 pies-libras.

IMPORTANTE

Nunca apriete a una torsión mayor de 35 pies-libras. Siempre use un compuesto de uniones de tubería aprobado que sea resistente a la acción del gas LP.

Instale el electrodoméstico en el correspondiente hueco del mostrador.

Haga la conexión de gas a la entrada del regulador de presión con roscas exteriores de tubería de 1.27 cm (1/2").

Instale una válvula manual de cierre en un lugar accesible en la tubería de gas antes del regulador de presión y afuera del electrodoméstico para poder abrir y cerrar el gas al electrodoméstico.

Haga las conexiones adicionales de la tubería según sea necesario antes de la válvula de cierre a la fuente de suministro de gas. Verifique que todas las conexiones de las uniones de la tubería estén bien apretadas.

Conexión del suministro de gas

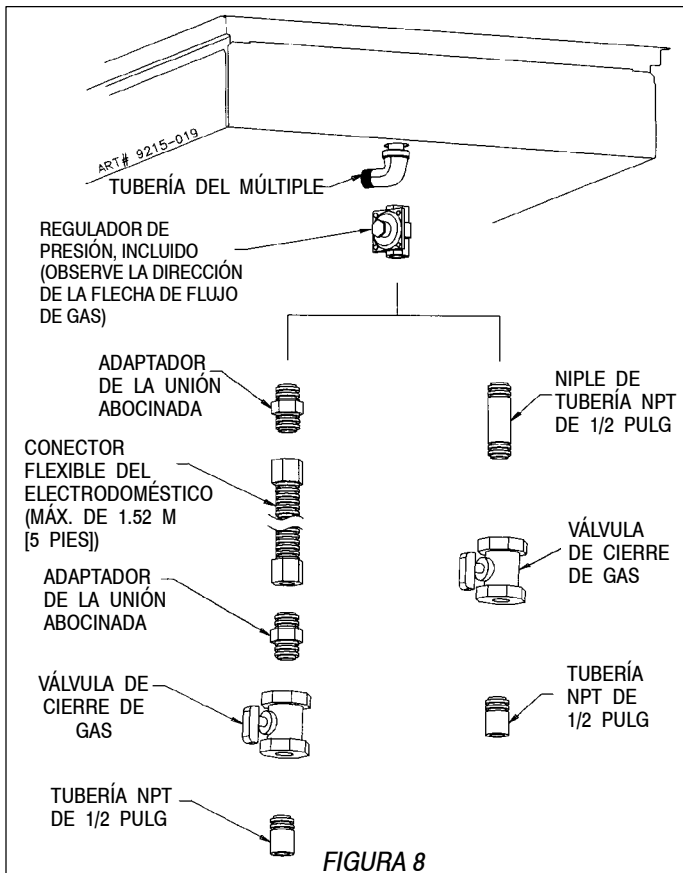
LA CONEXIÓN DE GAS DEBE REALIZARLA UN TÉCNICO CAPACITADO DE SERVICIO O UN INSTALADOR DE ELECTRODOMÉSTICOS DE GAS. Las pruebas de fugas del electrodoméstico deberá realizarlas el instalador de acuerdo con las instrucciones a continuación.

Aplique un líquido de detección de fugas que sea anticorrosivo en todas las uniones y los accesorios de la conexión de gas entre la válvula de cierre de la tubería de suministro y la estufa. Incluya los accesorios y las uniones de gas en la estufa si se alteraron las conexiones durante la instalación. ¡Revise si hay fugas! Si aparecen burbujas alrededor de los accesorios y las conexiones significará que hay una fuga. Si aparece una fuga, cierre la válvula de suministro de la tubería de gas, apriete las conexiones, abra la válvula de cierre de suministro de gas y vuelva a revisar las fugas.

PRECAUCIÓN: NUNCA USE LLAMAS PARA REVISAR SI HAY FUGAS.

CUANDO TERMINE DE REVISAR LAS FUGAS, LIMPIE TODOS LOS RESIDUOS.

Si se selecciona el método alternativo de tubería que se muestra en la figura 8, no se necesitará una unión de juntas a tierra. (El conector flexible del electrodoméstico proporciona las juntas de unión necesarias para darle servicio.) Cuando se tiene una pared divisoria y se usa un conector flexible, se recomienda por comodidad, tanto para la instalación como para el servicio, que el conector flexible, en sí, se pase a través de la pared divisoria. **Los conectores flexibles que se usen con este electrodoméstico deben cumplir con todos los requisitos indicados en el texto que sigue a la figura 8.**



A menos que lo prohíban los códigos o los decretos locales, puede usarse un conector nuevo flexible de metal, AGA, certificado para conectar este electrodoméstico al suministro de gas. El conector debe tener un diámetro interno de no menos de 1/2" de tubería NPT y no medir más de 1.52 m (5 pies) de largo. Se requiere un adaptador de unión abocinado de 1/2 x 1/2" NPT en cada extremo del conector flexible. Si el conector flexible se usa verifique que tanto el regulador de presión como la válvula manual de cierre estén firmemente unidas a otra tubería dura permanente (ya sea el suministro de gas o el múltiple del electrodoméstico) para que esté físicamente fijo.

PRECAUCIÓN: No trate de sujetar el conector flexible directamente a la rosca externa de la tubería. La conexión requiere adaptadores de unión abocinados.

Pruebas de presión

El electrodoméstico debe estar aislado del sistema de suministro de gas cerrando la válvula manual individual de cierre durante las pruebas de presión de ese sistema a presiones iguales o menores de 3.5 kPa (1/2 libra por pulgada cuadrada).

Este electrodoméstico y su válvula individual de cierre deben estar desconectados del sistema de suministro de gas durante las pruebas de presión del sistema a presiones que sobrepasen 3.5 kPa (1/2 libra por pulgada cuadrada).

Cuando revise el funcionamiento del regulador del electrodoméstico, asegúrese de que la presión del suministro de gas natural esté entre 15.24 y 35.56 cm (6 y 14 pulgadas) de columna de agua o, si se convirtió a gas LP, entre 27.9 y 35.56 cm (11 y 14 pulgadas).

Información de cableado eléctrico

Este electrodoméstico está equipado con un cordón eléctrico de tipo de conexión a tierra. Debe proporcionarse un tomacorriente con conexión a tierra. El cordón eléctrico mide 1.14 m (45") por fuera de la caja de la unidad. El tomacorriente deberá estar ubicado dentro del ancho del hueco y debajo de la parte más baja de proyección de la caja de la unidad.



ADVERTENCIA

INSTRUCCIONES ELÉCTRICAS DE CONEXIÓN A TIERRA

ESTE ELECTRODOMÉSTICO ESTÁ EQUIPADO CON UNA CLAVIJA DE CONEXIÓN A TIERRA DE TRES PUNTAS PARA PROTEGERLO CONTRA EL PELIGRO DE DESCARGAS ELÉCTRICAS Y DEBE CONECTARSE DIRECTAMENTE EN UN RECEPTÁCULO DEBIDAMENTE CONECTADO A TIERRA. NO CORTE NI quite LA PUNTA DE CONEXIÓN A TIERRA DE ESTA CLAVIJA.



ADVERTENCIA

ESTE ELECTRODOMÉSTICO DEBE ESTAR DESCONECTADO DEL SUMINISTRO ELÉCTRICO EN EL RECEPTÁCULO DE LA PARED ANTES DE DARLE SERVICIO A LA UNIDAD.

Conversión del electrodoméstico para usarse con gas LP



ADVERTENCIA

La conversión al gas propano debe realizarla un TÉCNICO AUTORIZADO DE SERVICIO DE JENN-AIR (u otra agencia calificada) de acuerdo con las instrucciones del fabricante y todos los códigos y requisitos de las autoridades que tengan jurisdicción. No seguir las instrucciones podría causar lesiones graves o daños materiales. La agencia calificada que realice el trabajo asumirá la responsabilidad de esta conversión.



ADVERTENCIA

El suministro de energía eléctrica debe estar apagado y el de gas cerrado antes de llevar a cabo la conversión.

Este electrodoméstico se ajustó de fábrica para usarse con gas natural. Si desea convertirlo para usarse con gas LP (propano o butano), debe realizarse cada una de las siguientes modificaciones:

A. Coloque de nuevo todos los puntales del orificio

- Paso 1: Quite las parrillas y las tapas de los quemadores.
- Paso 2: Quite la base del quemador retirando 2 tornillos. (Vea la figura 9.)
- Paso 3: Oprima con firmeza un destornillador de 7 mm (9/32") sobre los puntales de orificio (figura 9) y afloje los puntales girándolos en sentido contrario al de las manecillas del reloj. Levante cuidadosamente el destornillador de tuercas de la garganta del quemador. Los puntales de orificio deben caer en el hueco. Repita este paso en cada quemador.
- Paso 4: Localice el paquete del puntal de orificio de gas LP que se adjunta al paquete de los

materiales impresos. Los puntales tienen números pequeños estampados en un lado. Este número codifica el diámetro del orificio y la ubicación correcta del quemador. Las figuras en la página 7 muestran la ubicación correcta del puntal de orificio LP.

- Paso 5: Coloque cuidadosamente el puntal de orificio en la garganta del quemador correspondiente girándolo en el sentido de las manecillas del reloj para apretarlo. Apriete a una torsión de 15 a 20 pulgadas por libra.
- Paso 6: Coloque de nuevo la base del quemador, las tapas y las parrillas. Apriete los tornillos (no los barra) a 25 ó 30 pulgadas por libra.
- Paso 7: Conserve los orificios que quite del electrodoméstico para usarlos en el futuro.

REMOCIÓN DEL PUNTALE DE ORIFICIO

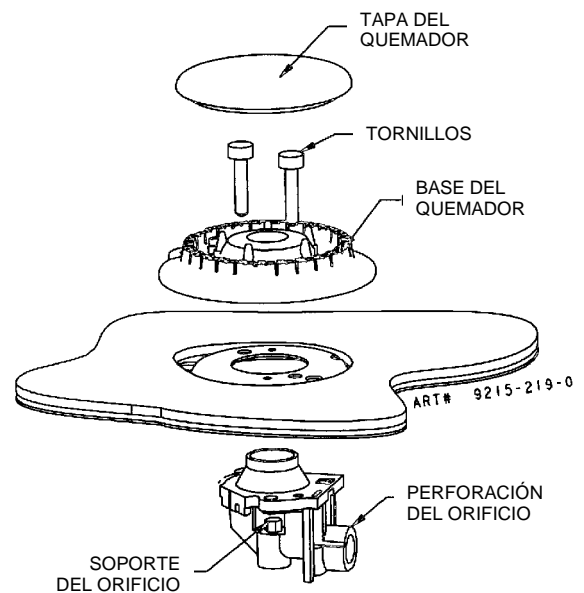
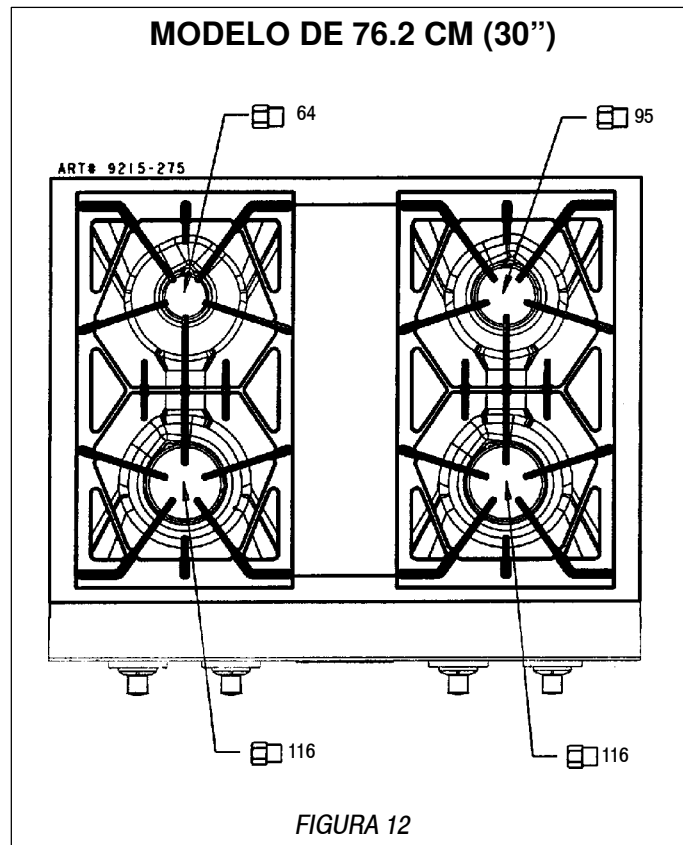
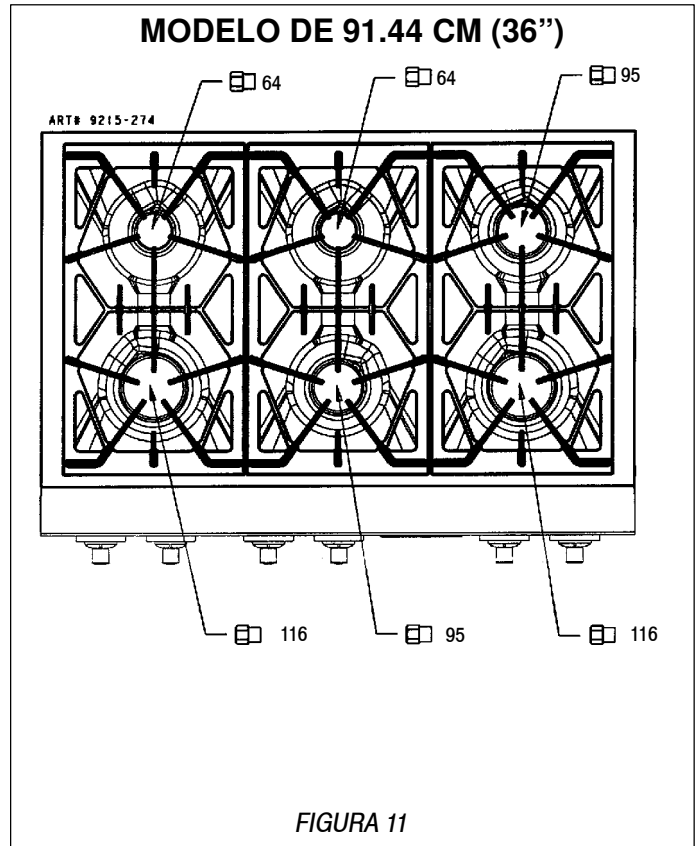
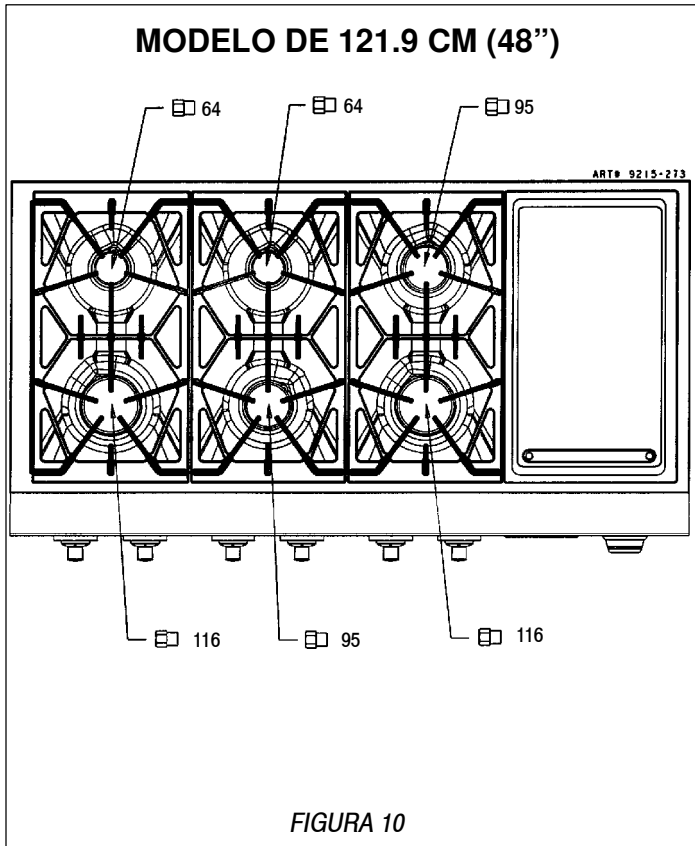


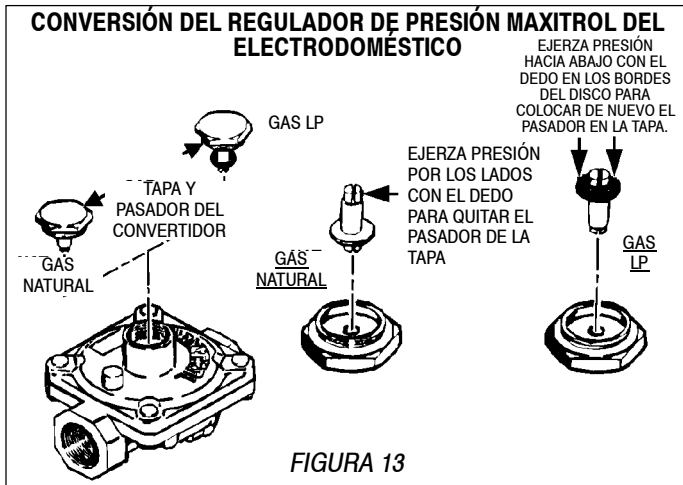
FIGURA 9

Instalación de los puntales de orificio LP



B. Invierta el tapón del regulador de presión del electrodoméstico

Con el electrodoméstico instalado, identifique el tipo de regulador de la unidad y siga las instrucciones de la ilustración correspondiente.



C. Ajuste de la llama baja

Este electrodoméstico se embarca de fábrica con los ajustes de las llamas media y baja para usarse con gas natural. Si se necesitan ajustes adicionales, o si desea volver a ajustarlo para usarse con gas LP, proceda de la manera siguiente:

1. Encienda el quemador y ajuste la perilla de control en la llama baja.
2. Quite la perilla de control del vástago de la válvula.

PRECAUCIÓN: NUNCA USE UNA HOJA DE METAL PARA QUITAR LA PERILLA, SI NO PUEDE QUITARLA CON FACILIDAD, DOBLE UNA TOALLA DE TELA Y DESLÍCELA DEBAJO DE LA PERILLA Y TIRE DE ELLA HACIA FUERA CON UNA PRESIÓN UNIFORME.

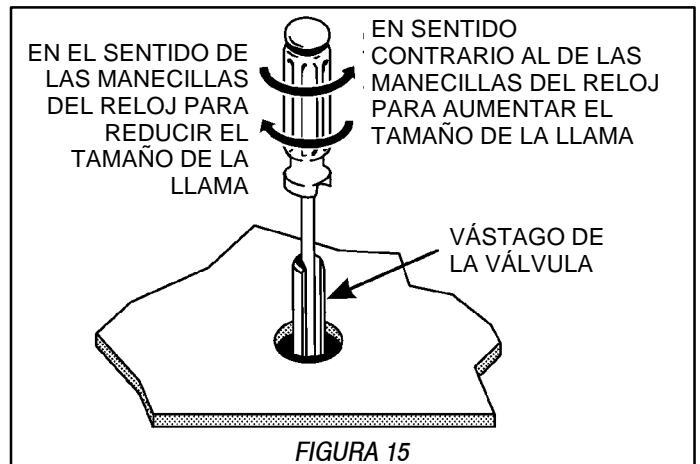
3. Inserte un destornillador de hoja plana y delgada en el hueco del centro del vástago de la válvula y enganche la ranura en el tornillo de ajuste.

4. Gire el tornillo de ajuste del vástago central para determinar el tamaño de la llama.
 - ... en el sentido de las manecillas del reloj para reducirlo
 - ... en sentido contrario al de las manecillas del reloj para aumentarlo

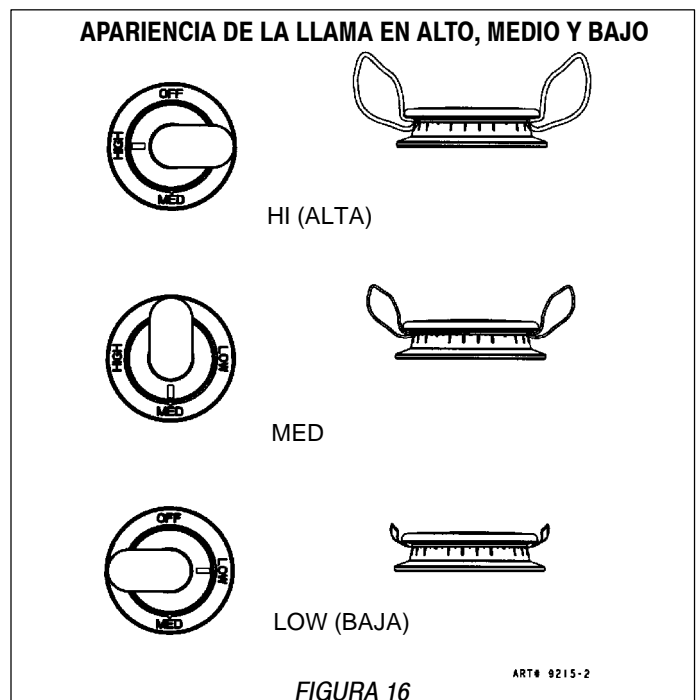
5. Cuando termine de realizar el ajuste coloque nuevamente la perilla de control.

El ajuste correcto producirá una llama azul uniforme y estable de tamaño mediano. El ajuste final debe verificarse girando la perilla de alto a bajo varias veces sin que se apague la llama.

Este ajuste, en bajo, proporcionará automáticamente el tamaño adecuado de llama en el ajuste medio.



Después de terminar los pasos A, B y C de la conversión, revise la apariencia de la llama de cada quemador en los ajustes Alta (Hi) y Baja (Lo) comparándolos con la figura 16. Si las llamas parecen muy grandes o muy pequeñas, revise cada paso para asegurarse que se siguió correctamente.



Para convertir el electrodoméstico para usarse con gas natural



ADVERTENCIA

El suministro de energía eléctrica debe estar apagado y el de gas cerrado antes de llevar a cabo la conversión.

Si este electrodoméstico se ha convertido para usarse con gas LP, deben realizarse cada una de las siguientes modificaciones para convertir la unidad de nuevo a gas natural.

A. Coloque de nuevo todos los puntales del orificio.

Realice los pasos 1 al 3 de la página 6.

Para el paso 4: Localice los puntales de orificio de gas natural de color bronce que se instalaron originalmente en este electrodoméstico antes de que se convirtiera para usarse con gas LP. Vea el color de cada uno de los puntales y recuerde la ubicación correcta del quemador de cada puntal según se muestra en la página 10 en las figuras 17, 18 ó 19.

Realice los pasos 5, 6 y 7 de la página 6 para terminar la instalación de los puntales principales de gas natural en sus lugares correctos.

Conserve los orificios que quite del electrodoméstico para usarlos en el futuro. Se necesitarán si se convierte el electrodoméstico de nuevo para usarse con gas LP.

B. Invierta el tapón del regulador de presión del electrodoméstico.

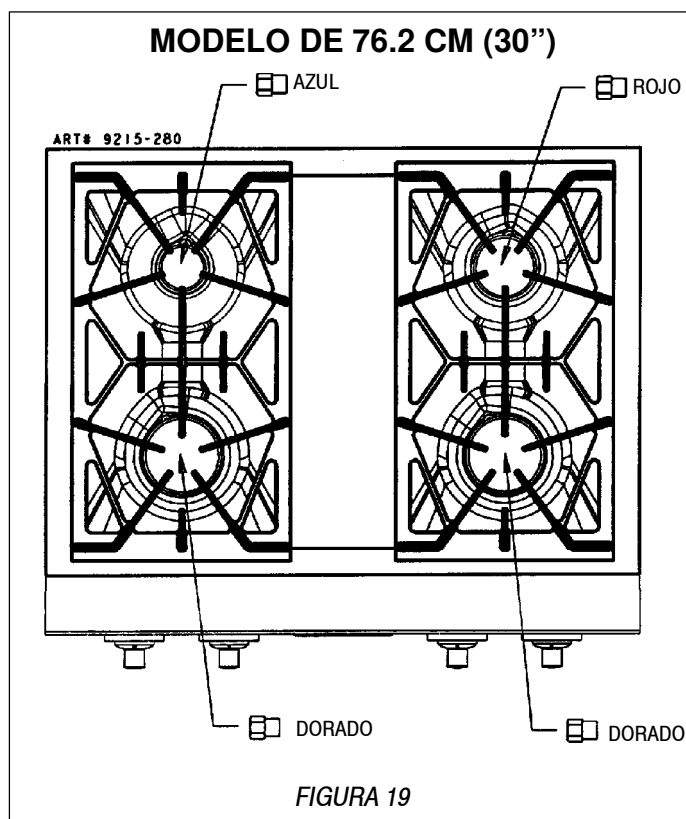
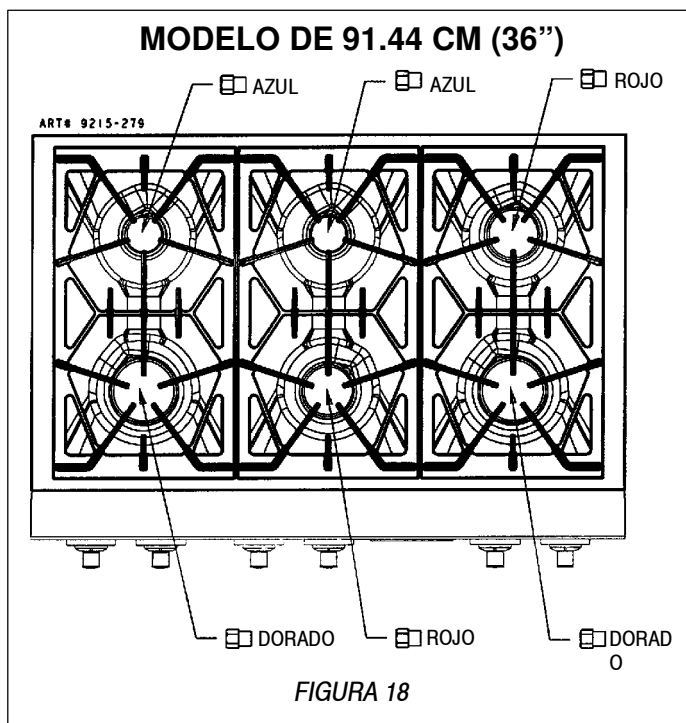
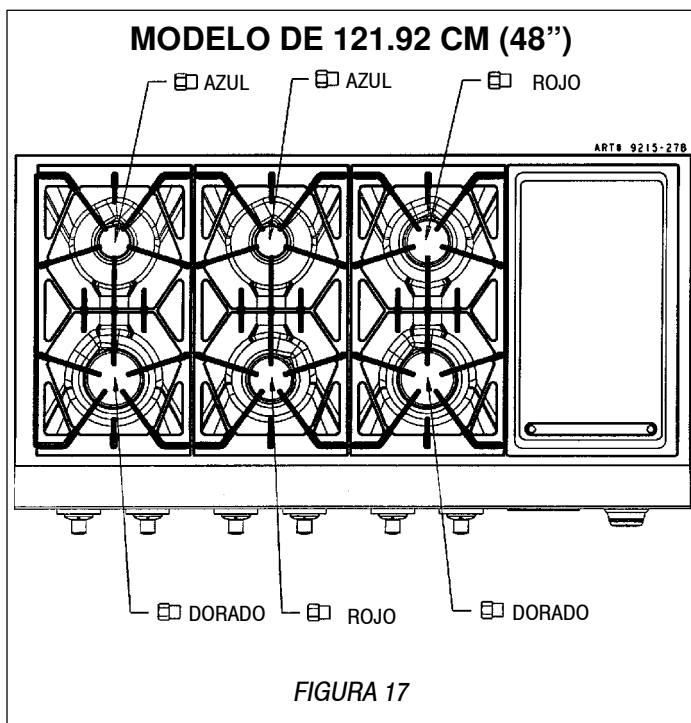
(Vea la figura 13 ó 14.)

Con el electrodoméstico instalado el regulador deberá estar ubicado según se indica en la figura 8. Identifique el tipo de regulador y siga las instrucciones de la ilustración correspondiente.

C. Ajuste la llama baja según se indica en la página 8, artículo C.

Después de terminar los pasos A, B y C, revise la apariencia de la llama de cada quemador en los ajustes Alto y Bajo comparándolos con la figura 16. Si las llamas parecen muy grandes o muy pequeñas, asegúrese que se hayan seguido todos los pasos correctamente.

Instalación de los puntales de orificio de gas natural



Encendido y reencendido automático del quemador

Este electrodoméstico está equipado con un reencendido automático que funciona por medio de un encendedor de chispa que se encuentra en la parte posterior de cada quemador. Los quemadores están diseñados para encenderse con cualquier rotación de la válvula que admita suficiente flujo de gas para producir la llama y para volver a encenderse automáticamente después de que se apague la llama debido a una corriente de viento o condición adversa. Esta característica se proporciona con fines de comodidad y no tiene la finalidad de ser una característica de seguridad.

Este electrodoméstico no tiene obturadores de aire. No es necesario realizar ajustes iniciales de aire. Los quemadores están diseñados para proporcionar una aeración óptima con todos los tipos de gas sin obturadores de aire. Cuando funcionan correctamente, los quemadores deben producir una llama azul uniforme y bien definida. Si las llamas tienen las puntas amarillas o no están bien definidas y parecen no tener suficiente aire, contrate a un técnico calificado de servicio.

Las capacidades nominales especificadas de entrada se muestran más adelante.

JGCP430ADP

UBICACIÓN DEL QUEMADOR	CAPACIDADES NOMINALES DE ENTRADA – GAS NATURAL (BTU/HORA)	
	Alto	Bajo
Delantero derecho	17,000	1700
Posterior derecho	9,200	1050
Delantero izquierdo	17,000	1700
Posterior izquierdo	5,000	600

JGCP636ADP y JGCP648ADP

UBICACIÓN DEL QUEMADOR	CAPACIDADES NOMINALES DE ENTRADA – GAS NATURAL (BTU/HORA)	
	Alto	Bajo
Delantero derecho	17,000	1700
Posterior derecho	9,200	1050
Delantero central	9,200	1050
Posterior central	5,000	600
Delantero izquierdo	17,000	1700
Posterior izquierdo	5,000	600

El modelo JGCP648ADP incluye un asador eléctrico de 1300 vatios accesorio.

Ajustes necesarios al momento de la instalación

La instalación de este electrodoméstico debe estar en conformidad con los códigos locales, o en caso que no existan, con la última edición del Código Nacional de Gas Combustible ANSI Z223.1 o el CÓDIGO DE INSTALACIÓN actual CAN/CGA-B149.

- Este electrodoméstico fue fabricado para usarse con gas natural. Si se elige usar gas LP, siga el procedimiento de conversión que se encuentra en las instrucciones de instalación.
- Revise todas las conexiones externas para verificar que no haya fugas. Nunca realice pruebas de fugas con llamas encendidas.
- Revise todas las conexiones eléctricas.



403 WEST FOURTH STREET, NORTH • NEWTON, IA 50208 EE.UU.



AVERTISSEMENT SPÉCIAL

Une mauvaise réalisation de la mise en place, du réglage, de toutes modifications ou réparations ou de l'entretien de la plaque de cuisson ou son usage incorrect peuvent entraîner des blessures ou des dégâts graves.

JGCP648ADP

IMPORTANT

**RESPECTER
IMPÉRATIVEMENT
LES DIMENSIONS
DE LA DÉCOUPE**

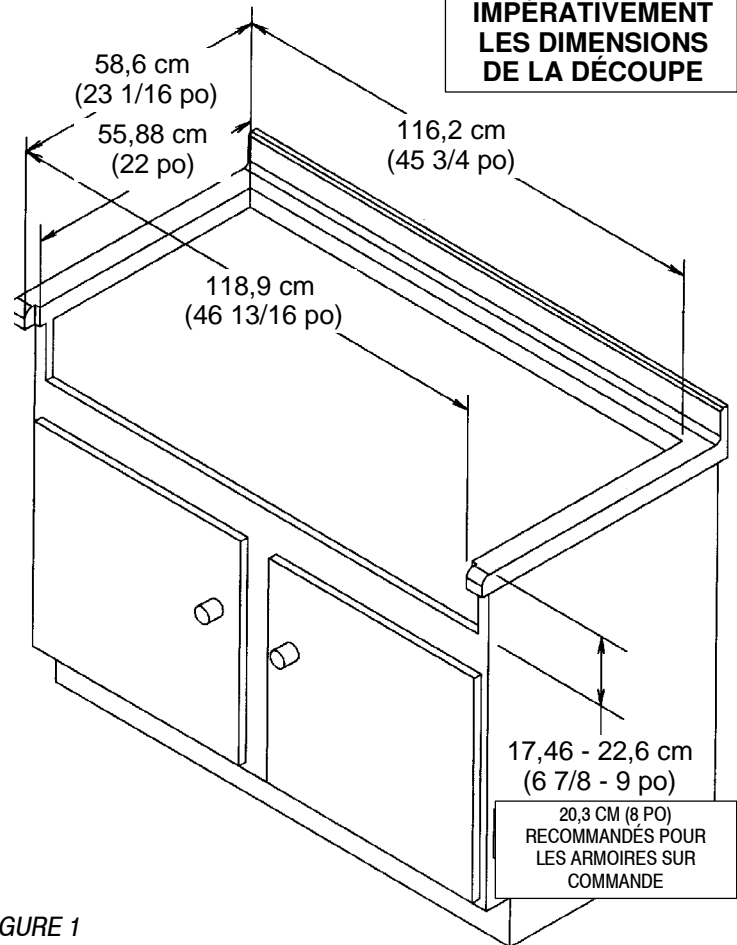
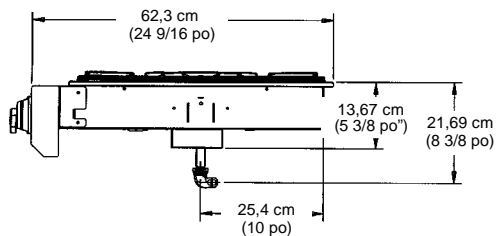
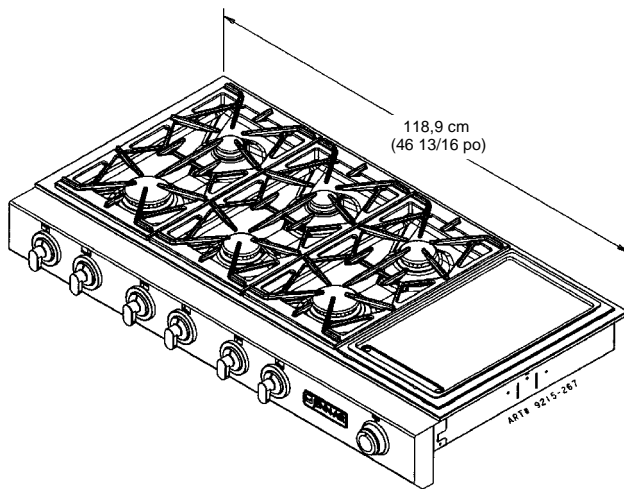


FIGURE 1

- **LE RÉCIPENT À GRAISSE DOIT ÊTRE ACCESSIBLE AFIN DE PERMETTRE DE LE VIDER.**
- **À L'INTENTION DE L'INSTALLATEUR :** Veuillez laisser ces instructions avec l'appareil.
- **À L'INTENTION DU CONSOMMATEUR :** Veuillez conserver ces instructions pour référence ultérieure.

JGCP636ADP

IMPORTANT

**RESPECTER
IMPÉRATIVEMENT
LES DIMENSIONS
DE LA DÉCOUPE**

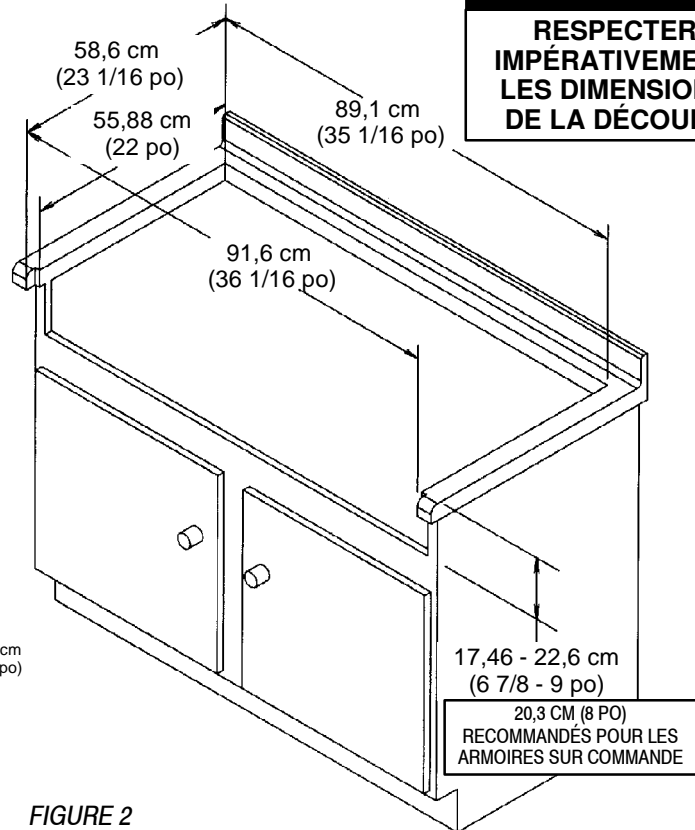
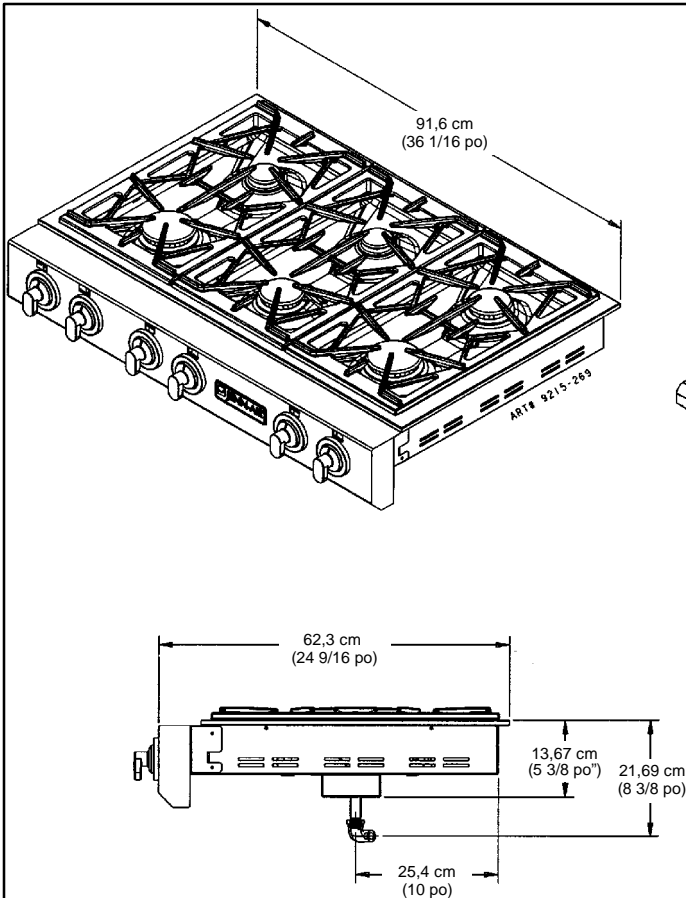


FIGURE 2

JGCP430ADP

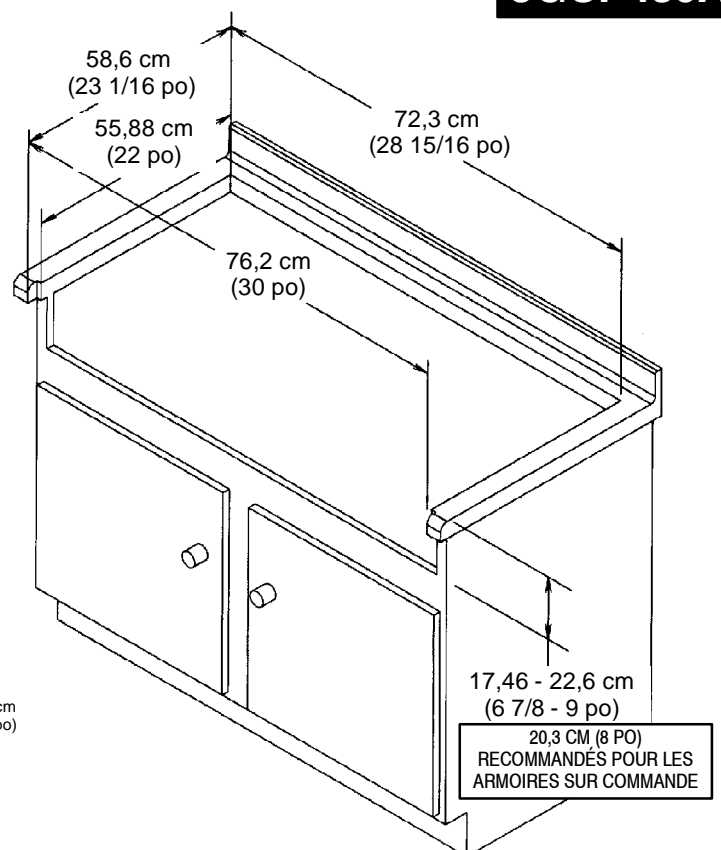
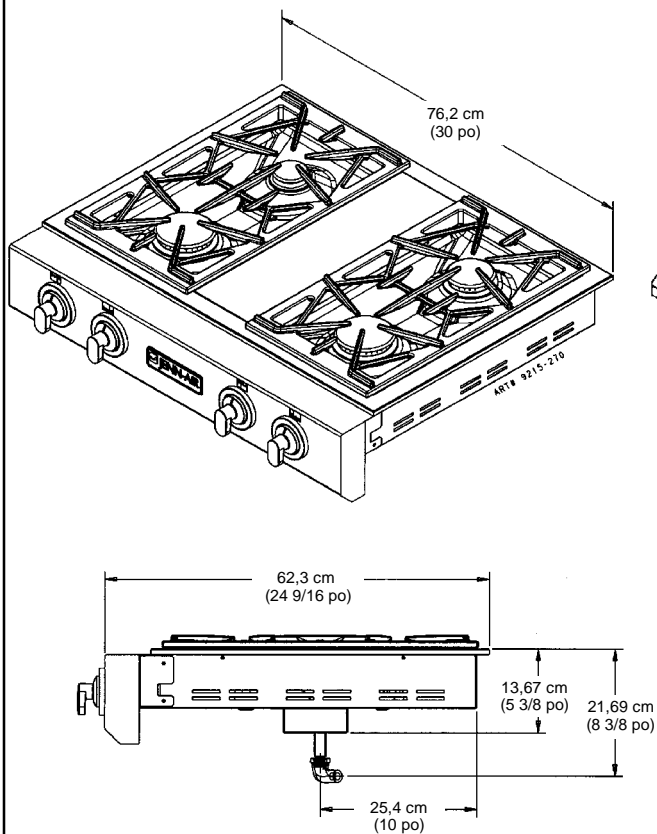


FIGURE 3

Pose d'armoires au-dessus de votre gril Jenn-Air

Le dégagement horizontal minimum entre le bord de l'appareil et des structures susceptibles de prendre feu montant jusqu'à une hauteur de 45,7 cm (18 po) au-dessus de la surface de cuisson est le suivant :

2,4 cm (15/16 po)	à l'arrière
15,2 cm (6 po)	du côté gauche
15,2 cm (6 po)	du côté droit

REMARQUE : Ceci n'est pas le dégagement recommandé mais le dégagement minimum permis.

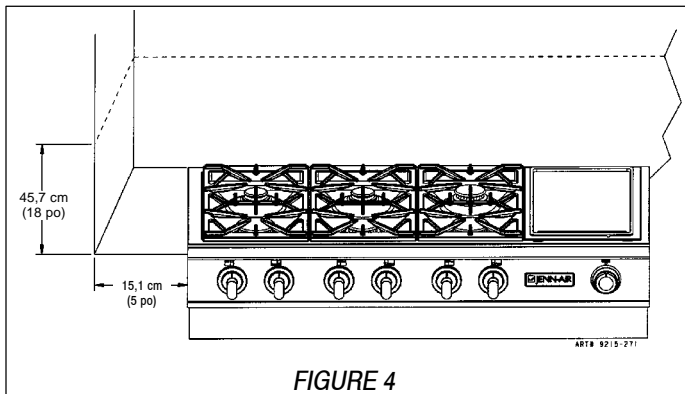


FIGURE 4

A = 76,2 cm (30 po) minimum entre la plaque de cuisson et tout élément de construction se trouvant directement au-dessus de l'appareil. Le dessous du matériau combustible ou de l'armoire métallique se trouvant au-dessus de la plaque de cuisson doit être protégé avec du carton ignifugé d'un minimum de 6,3 mm (1/4 po) d'épaisseur.

B = 33 cm (13 po) maximum de profondeur pour les armoires se trouvant au-dessus de la plaque de cuisson.

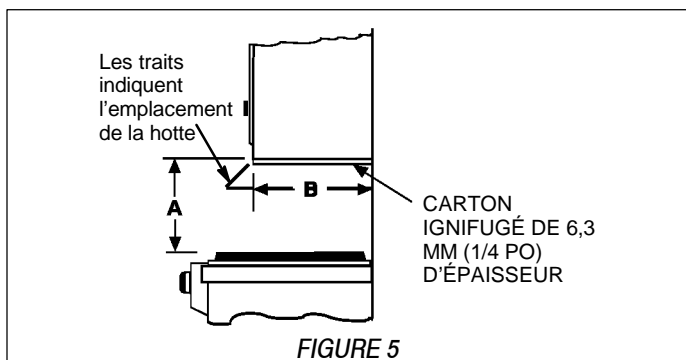


FIGURE 5

Éviter l'utilisation d'armoires de rangement au-dessus de la surface de cuisson pour éliminer les risques potentiels qui y sont liés, tels que se pencher au-dessus de flammes pour prendre un article dans l'armoire.

*Pour éliminer tout risque de brûlure ou d'incendie en essayant d'atteindre un objet placé au-dessus d'éléments brûlants, éviter d'avoir un espace de rangement au-dessus de la surface de cuisson. S'il doit y avoir des armoires au-dessus de la surface de cuisson, les risques peuvent être réduits en posant une hotte qui dépasse d'un minimum de 12,7 cm (5 po) du bas des armoires.

Préparation du comptoir

La découpe dans le comptoir doit être préparée tel que l'indiquent les illustrations de la page 1 et 2.

ATTENTION : L'exactitude des dimensions de l'ouverture est essentielle. Pour réaliser correctement la pose, les dimensions doivent être mesurées avec précision et la découpe effectuée à 1,6 mm (1/16 po) près.

Suggestions importantes pour la préparation

1. Arrondir les angles de tous les rebords du stratifié décoratif pour éviter qu'ils ne s'écaillent.
2. Arrondir les coins de la découpe et les poncer pour assurer des rebords lisses et éviter que les coins ne se trouvent écornés.
3. Les rebords bruts et les coins intérieurs non arrondis, ainsi que les endroits où il faut forcer pour permettre la mise en place de l'appareil, peuvent contribuer au fendillement du dessus du comptoir en stratifié.
4. Le dessus du comptoir doit avoir un support à une distance maximum de 7,6 cm (3 po) des rebords de la découpe.

Pose de l'appareil

La mise en service de cet appareil doit être conforme aux codes locaux ou, en l'absence de tels codes, à la norme ANSI Z223.1, dernière édition, du National Fuel Gas Code aux États-Unis ou avec le code d'installation CAN/ACG-B149, dernière édition en vigueur.

Une fois en place, l'appareil doit être relié à la terre conformément aux codes locaux ou, en l'absence de codes locaux, aux normes ANSI/NFPA n° 70 de l'édition la plus récente du National Electrical Code ou, au Canada, aux normes CSA C22.1 du Code canadien de l'électricité, partie 1, en vigueur.

Sauf indication contraire, toutes les conduites d'alimentation doivent être de type courant NPT (National Pipe Thread). Utiliser une pâte à filetage résistant à l'action du gaz GPL sur les raccords.

ATTENTION : La garantie des appareils Jenn-Air est nulle si les consignes du fabricant concernant la pose ne sont pas respectées.

L'appareil est conçu pour utiliser le détendeur fourni. Celui-ci doit être posé sur la conduite de gaz en amont de l'entrée du distributeur de gaz. Il est réglé pour le gaz naturel et doit être converti au gaz GPL si ce type de gaz est utilisé.

Cet appareil est conçu pour fonctionner à une pression de 1,25 kPa (5 po de colonne d'eau) dans le cas de gaz naturel et à une pression de 2,5 kPa (10 po de colonne d'eau) dans le cas d'une conversion au GPL (propane ou butane). S'assurer que l'alimentation en gaz de l'appareil est bien du type pour lequel il est conçu et qu'il est réglé pour ce type de gaz.

Pose de l'appareil

Cet appareil est réglé sur le gaz naturel en usine. Si, à un moment quelconque, l'appareil doit utiliser un type de gaz différent, toutes les conversions doivent impérativement être effectuées par un technicien de service après-vente qualifié avant de faire fonctionner l'appareil sur cet autre gaz. Le gaz naturel doit être amené au détendeur à une pression de 1,5 à 3,5 kPa (6 à 14 pouces de colonne d'eau) ; en cas de conversion au gaz GPL, la pression dans la conduite doit être de 2,5 à 2,75 kPa (11 à 14 pouces de colonne d'eau).



AVERTISSEMENT

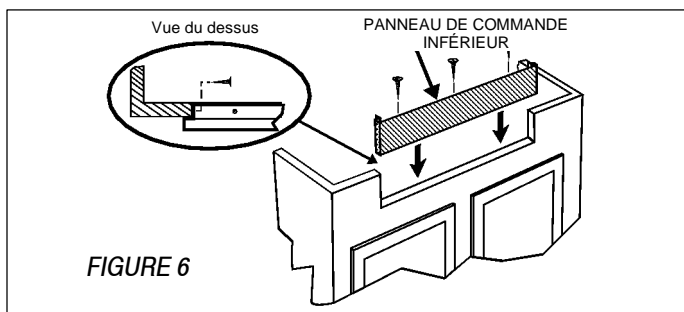
Si la pression de l'alimentation en gaz au détendeur est supérieure à 3,5 kPa (14 po de colonne d'eau), quel que soit le gaz, un détendeur externe doit être posé sur la conduite de gaz en amont du détendeur de l'appareil afin de réduire la pression à 3,5 kPa maximum, sinon l'appareil ne fonctionnera pas correctement et pourra se trouver endommagé.

S'assurer que l'appareil est réglé pour le type de gaz utilisé et que la pression de l'alimentation au détendeur est dans la plage de pressions acceptable.

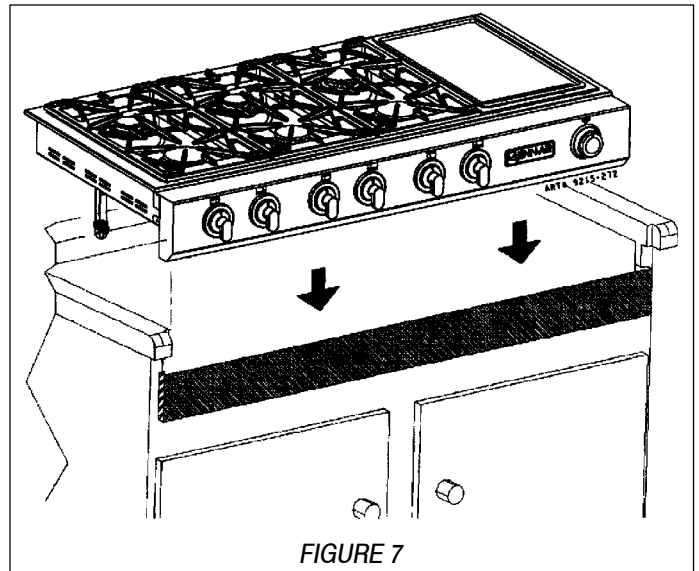
Attendre d'être prêt à connecter l'appareil sur la conduite de gaz avant de retirer le capuchon protecteur de la dérivation de la conduite à l'entrée de la rampe à gaz.

La découpe dans le comptoir et la découpe dans le devant de l'armoire doivent être préparées conformément aux illustrations des pages 1 et 2.

Poser le panneau de commande inférieur dans la découpe inférieure de l'armoire tel qu'indiqué, en utilisant les vis fournies dans le paquet de visserie (figure 6).



Placer l'appareil dans la découpe dans le comptoir. Le panneau de commande principal doit chevaucher le dessus du panneau de commande inférieur tel qu'indiqué (figure 7).



REMARQUE : Certains styles d'armoires pourront exiger le renforcement de l'avant de l'armoire en fixant un renfort de l'avant vers l'arrière de l'armoire, sous la boîte des brûleurs.

ATTENTION : La garantie sera annulée sur tout matériel JENN-AIR dont la mise en service a été effectuée différemment de la façon recommandée par le fabricant.

Raccorder le détendeur pour appareil fourni au filetage d'entrée de la rampe à gaz. Ce détendeur porte une flèche indiquant la direction du gaz. Veiller à poser le détendeur avec la flèche dirigée vers la rampe à gaz. Serrer le détendeur à un couple de 27 à 40 N.m (20 à 30 pi-lb).

IMPORTANT

Ne jamais serrer à plus de 47 N.m (35 pi-lb). Toujours utiliser une pâte à filetage résistant à l'action du gaz GPL sur les raccords.

Poser l'appareil dans la découpe dans le comptoir.

Effectuer le raccordement à l'arrivée de gaz du détendeur de cet appareil avec une conduite mâle fileté de 1/2 po NPT.

Poser un robinet d'arrêt dans un endroit accessible de la conduite de gaz en amont du détendeur et extérieur à l'appareil afin de pouvoir fermer ou ouvrir l'alimentation en gaz de l'appareil.

Effectuer tous raccordements de conduite supplémentaires en amont du robinet d'arrêt de l'alimentation en gaz. S'assurer que tous les raccords sont bien serrés.

Raccordement à l'alimentation en gaz

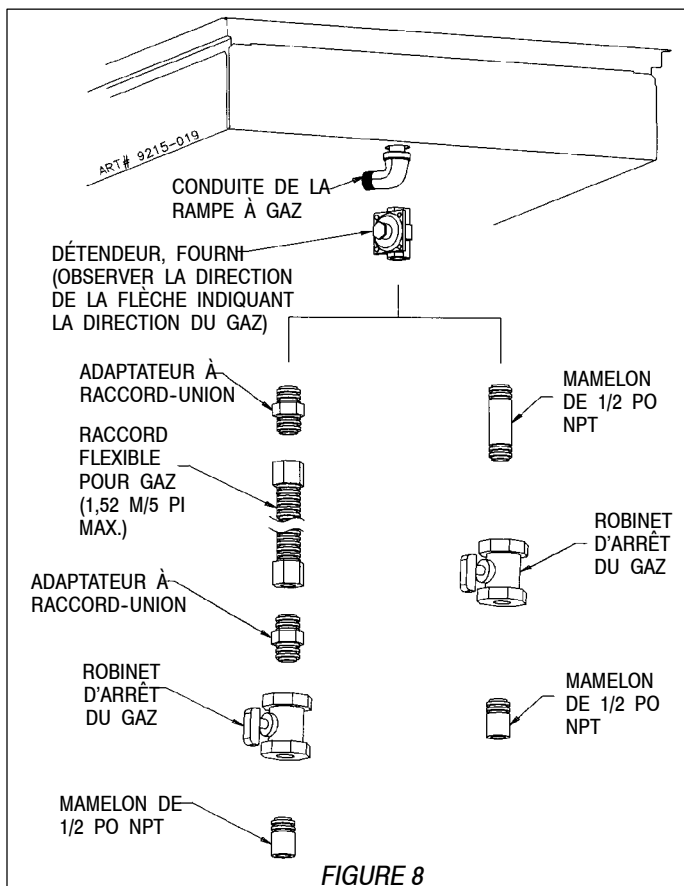
LE RACCORDEMENT AU GAZ DOIT ÊTRE EFFECTUÉ PAR UN TECHNICIEN AYANT REÇU LA FORMATION APPROPRIÉE OU PAR UN INSTALLATEUR D'APPAREILS À GAZ. La vérification de l'absence de fuites sera effectuée par l'installateur conformément aux directives ci-dessous.

Appliquer du liquide de détection de fuites non corrosif sur tous les joints et raccords entre le robinet de la conduite de gaz et l'appareil. Inclure les joints et raccords de l'appareil si ceux-ci ont pu se trouver desserrés pendant la mise en service. Vérifier les fuites ! Si des bulles apparaissent autour des joints et des raccords, il y a une fuite. En cas de fuite, fermer le robinet d'alimentation de gaz, serrer les raccords, puis ouvrir le robinet et revérifier s'il y a des fuites.

ATTENTION : NE JAMAIS VÉRIFIER LA PRÉSENCE DE FUITES À L'AIDE D'UNE FLAMME.

UNE FOIS LA VÉRIFICATION DE LA PRÉSENCE DE FUITES TERMINÉE, ESSUYER TOUT RÉSIDU DE PRODUIT.

Si la méthode alternative montrée à la figure 8 est sélectionnée, aucun raccord à joint rodé n'est nécessaire. (Le raccord flexible illustré offre les joints de raccord nécessaires pour permettre les interventions de service après-vente.) En cas de présence d'une cloison, si un raccord flexible est utilisé, il est recommandé, pour plus de commodité à la pose comme pour le service après-vente, que le raccord flexible traverse la cloison. **Tout raccord flexible utilisé avec cet appareil doit satisfaire aux conditions indiquées dans le texte qui suit la figure 8.**



Sauf si les codes et règlements locaux l'interdisent, un raccord flexible métallique neuf homologué A.G.A. peut être utilisé pour raccorder cet appareil à l'alimentation en gaz. Ce raccord doit avoir un diamètre interne minimum égal ou supérieur à celui d'une conduite de 1/2 po NPT et ne doit pas faire plus de 1,52 m (5 pi) de long. Un adaptateur à raccord-union de 1/2 po NPT x 1/2 po est exigé à chaque extrémité. Si un raccord flexible est utilisé, veiller à ce que le détendeur de l'appareil et le robinet d'arrêt soient raccordés solidement à une autre conduite rigide permanente (conduite de gaz ou rampe à gaz de l'appareil), de façon à conserver une position fixe.

ATTENTION : Ne pas raccorder le raccord flexible directement à un filetage de conduite extérieure. Il faut utiliser des adaptateurs à raccord-union.

Vérification de la pression

L'appareil à gaz doit être coupé des conduites de gaz en fermant son robinet d'arrêt individuel pendant toute vérification de la pression dans les conduites de gaz à une pression égale ou inférieure à 3,5 kPa (0,5 lb/po²).

L'appareil à gaz et son robinet d'arrêt doivent être désolidarisés des conduites de gaz pendant toute vérification de la pression à une pression supérieure à 3,5 kPa (0,5 lb/po²).

Le gaz naturel doit être amené au détendeur à une pression 1,5 à 3,5 kPa (de 6 à 14 pouces de colonne d'eau) ; en cas de conversion au gaz GPL, la pression dans la conduite doit être de 2,5 à 2,75 kPa (11 à 14 pouces de colonne d'eau).

Câblage électrique

Cet appareil est équipé d'un cordon d'alimentation avec raccordement à la terre. Il doit être branché dans une prise de courant reliée à la terre.

Le cordon d'alimentation dépasse de 45 po (1,14 m) du logement de l'appareil. La prise doit être placée directement dans la largeur de la découpe et au-dessous du point le plus bas du logement de l'appareil.

AVERTISSEMENT

INSTRUCTIONS DE MISE À LA TERRE

CET APPAREIL EST MUNI D'UNE FICHE À TROIS BROCHES AVEC MISE À LA TERRE POUR ASSURER LA PROTECTION CONTRE LES RISQUES D'ÉLECTROCUTION ET DOIT ÊTRE BRANCHÉ DIRECTEMENT DANS UNE PRISE DE COURANT CORRECTEMENT RELIÉE À LA TERRE. NE PAS ENLEVER NI COUPER LA BROCHE DE TERRE DE CETTE FICHE ÉLECTRIQUE.

AVERTISSEMENT

CET APPAREIL DOIT ÊTRE DÉBRANCHÉ DE LA PRISE MURALE AVANT TOUTE INTERVENTION DE SERVICE APRÈS-VENTE.

Conversion de l'appareil au gaz naturel



AVERTISSEMENT

La conversion au propane doit être effectuée par un PRESTATAIRE DE SERVICE AGRÉÉ JENN-AIR (ou tout autre service qualifié) conformément aux consignes du fabricant et à tous les codes et exigences de toutes autorités compétentes. La non-observation des consignes pourrait donner lieu à des blessures graves ou des dégâts. Le prestataire de service qualifié qui effectue la conversion en assume l'entière responsabilité.



AVERTISSEMENT

Fermer le gaz et l'électricité avant de procéder à la conversion.

Cet appareil est réglé sur le gaz naturel en usine. Pour le convertir au gaz GPL (propane ou butane), effectuer chacune des modifications suivantes :

A. Remplacer tous les injecteurs à orifice

Étape 1 : Enlever les grilles et les capuchons de brûleur.

Étape 2 : Enlever le socle du brûleur en retirant les deux vis qui le retiennent en place. (Voir la figure 9.)

Étape 3 : Pousser fermement un tourne-écrou de 7 mm (ou 9/32 po) sur les injecteurs à orifice (figure 9) et desserrer l'injecteur en le tournant dans le sens anti-horaire. Retirer doucement le tourne-écrou du col du brûleur. L'injecteur à orifice doit se trouver pris dans le creux. Répéter pour chaque brûleur.

Étape 4 : Trouver le paquet d'injecteurs à orifice GPL inclus avec la documentation. Les injecteurs ont un nombre estampillé en

petits chiffres sur le côté. Ce nombre est un code du diamètre de l'orifice et de l'emplacement du brûleur où il doit être placé. Les figures de la page 7 montrent l'emplacement correct d'un injecteur à orifice pour GPL.

Étape 5 : Assujettir soigneusement l'injecteur à orifice dans le col de brûleur correspondant en le tournant dans le sens horaire. Serrer à un couple de 1,7 à 2,3 N.m (15 à 20 po-lb).

Étape 6 : Remettre le socle, les capuchons et les grilles des brûleurs. Serrer les vis (ne pas les foirer) à 2,8 à 3,4 N.m (25 à 30 po-lb).

Étape 7 : Mettre les orifices déposés de côté pour usage ultérieur.

DÉPOSE DE L'INJECTEUR À ORIFICE

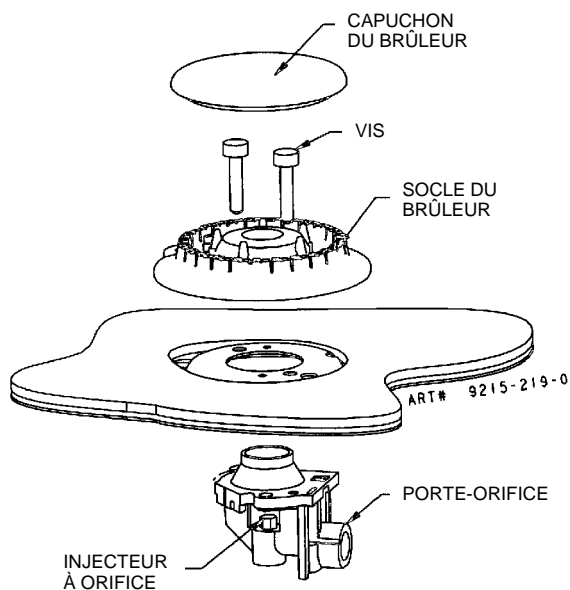
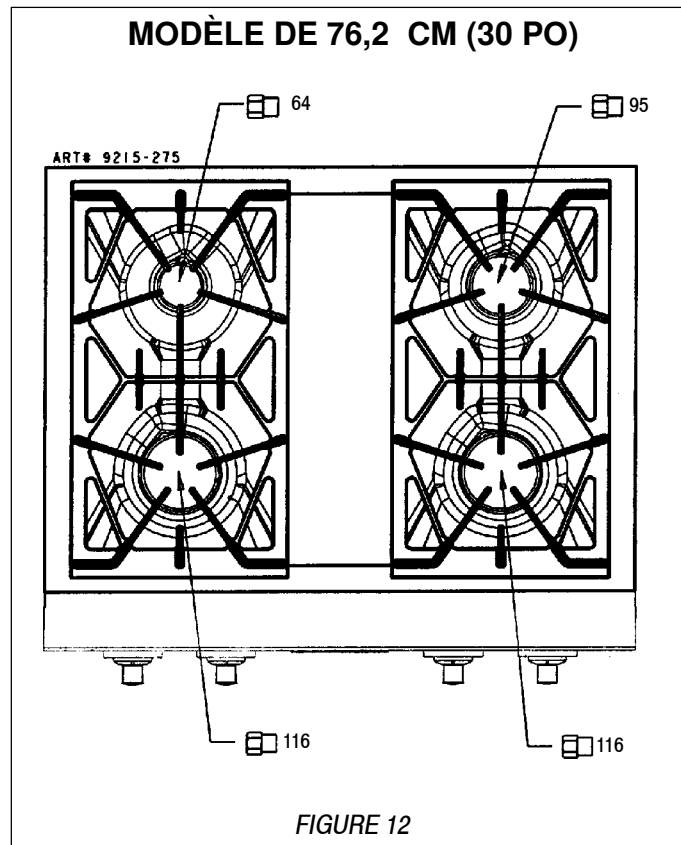
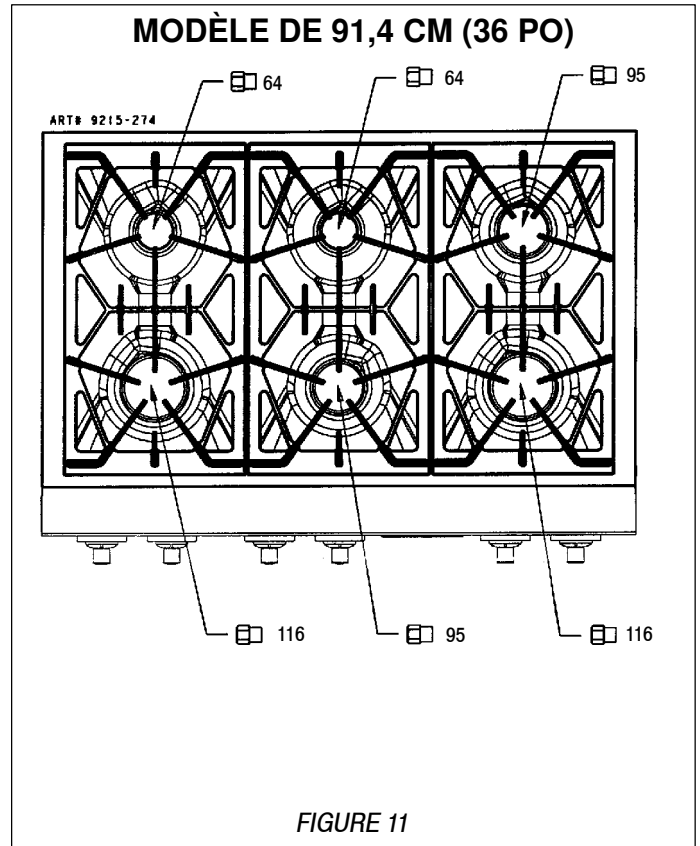
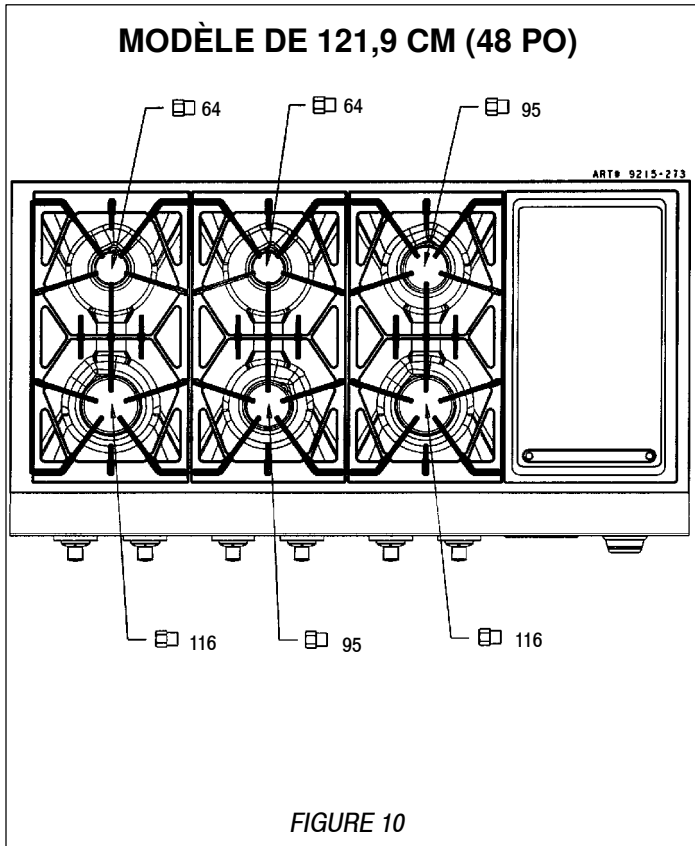


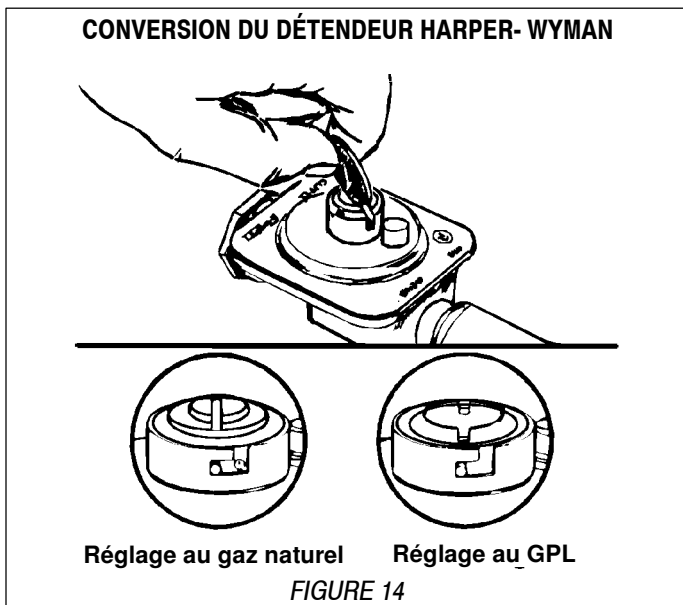
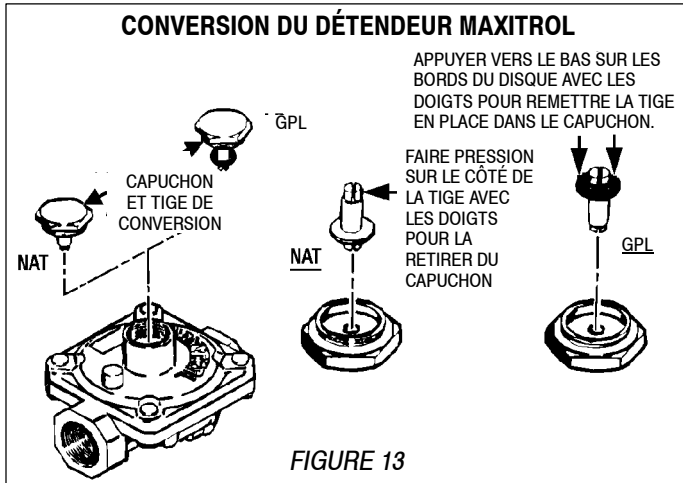
FIGURE 9

Pose des injecteurs à orifice pour gaz GPL



B. Inverser le capuchon dans le détendeur

L'appareil étant posé à son emplacement final, identifier le type de détendeur qui se trouve sur l'appareil et suivre les instructions de l'illustration qui convient.



C. Réglage de la flamme à feu doux

La flamme à feu doux et feu moyen des brûleurs de cet appareil est réglée en usine pour un usage avec du gaz naturel. Si elle a besoin d'être réglée ou si l'appareil doit utiliser du GPL, procéder comme suit :

1. Allumer le brûleur et régler le bouton de commande sur un feu doux.

2. Retirer le bouton de commande de la tige.

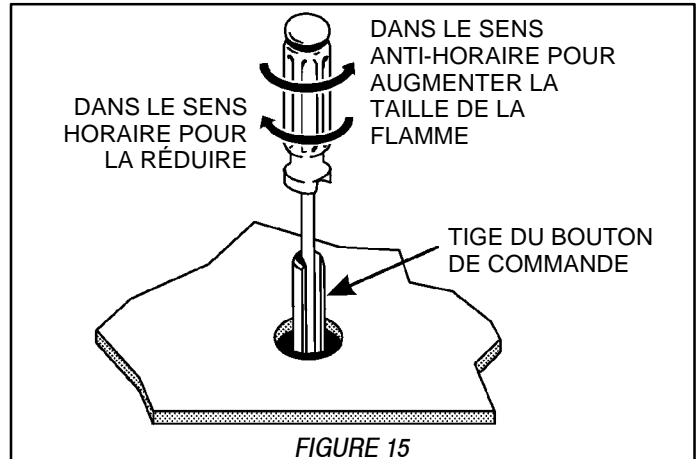
ATTENTION : NE JAMAIS UTILISER DE LAME MÉTALLIQUE POUR FAIRE LEVIER SUR LE BOUTON POUR L'ENLEVER. SI LE BOUTON NE S'ENLÈVE PAS FACILEMENT, GLISSER UN LINGE À VAISSELLE PLIÉ SOUS LE BOUTON ET TIRER LE LINGE VERS L'EXTÉRIEUR EN EXERÇANT UNE PRESSION RÉGULIÈRE ET UNIFORME.

3. Insérer un tournevis à lame fine dans le creux au centre de la tige et insérer la lame dans la fente de la vis de réglage.

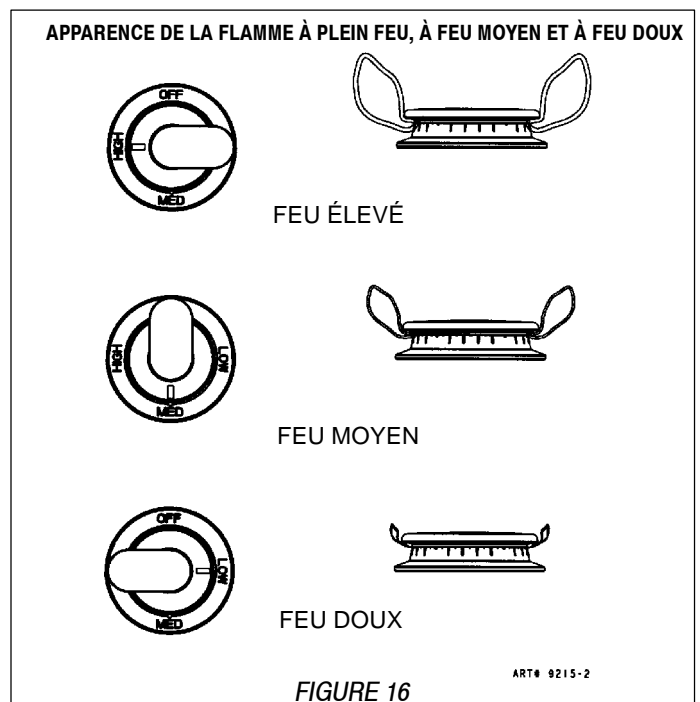
4. Tourner la vis du centre de la tige pour régler la flamme.
 - ... dans le sens horaire pour réduire la flamme
 - ... dans le sens antihoraire pour l'augmenter
5. Remettre le bouton de réglage en place une fois le réglage terminé.

Une flamme bien réglée sera stable, bleue et d'une longueur minimum. Le réglage final doit être vérifié en faisant tourner le bouton de feu doux à plein feu et vice versa à plusieurs reprises sans que la flamme s'éteigne.

Le réglage à feu doux assure automatiquement une flamme correcte au réglage à feu moyen.



Une fois les étapes A, B et C de la conversion terminées, vérifier l'apparence de la flamme de chaque brûleur aux réglages LO (feu doux) et HI (plein feu) contre la figure 16. Si la flamme paraît trop grande ou trop petite, revoir chaque étape pour s'assurer qu'elle a été effectuée correctement.



Pour convertir l'appareil au gaz naturel



AVERTISSEMENT

Fermer le gaz et l'électricité avant de procéder à la conversion.

Si cet appareil a été converti au GPL, chacune des modifications suivantes doit être effectuée pour le reconverter au gaz naturel.

A. Remplacer tous les injecteurs à orifice.

Effectuer les étapes 1 à 3 de la page 6.

Pour l'étape 4 : Trouver les injecteurs à orifice colorés en laiton conçus pour le gaz naturel qui étaient montés sur l'appareil à l'origine, avant sa conversion au GPL. Observer la couleur de chaque injecteur et noter l'emplacement de brûleur correspondant pour chacun sur les figures 17, 18 ou 19, page 10.

Effectuer les étapes 5, 6 et 7 de la page 6 pour terminer la pose des raccords à orifice pour gaz naturel à l'emplacement qui convient à chacun.

Mettre les orifices déposés de côté pour usage ultérieur. Ils seront nécessaires si l'appareil doit un jour être à nouveau converti au gaz GPL.

B. Inverser le capuchon dans le détendeur.

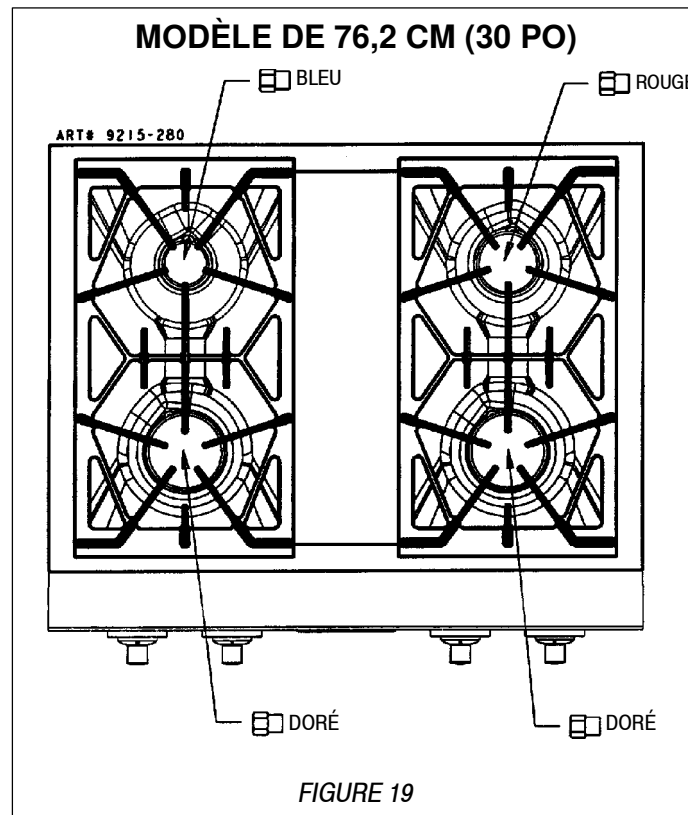
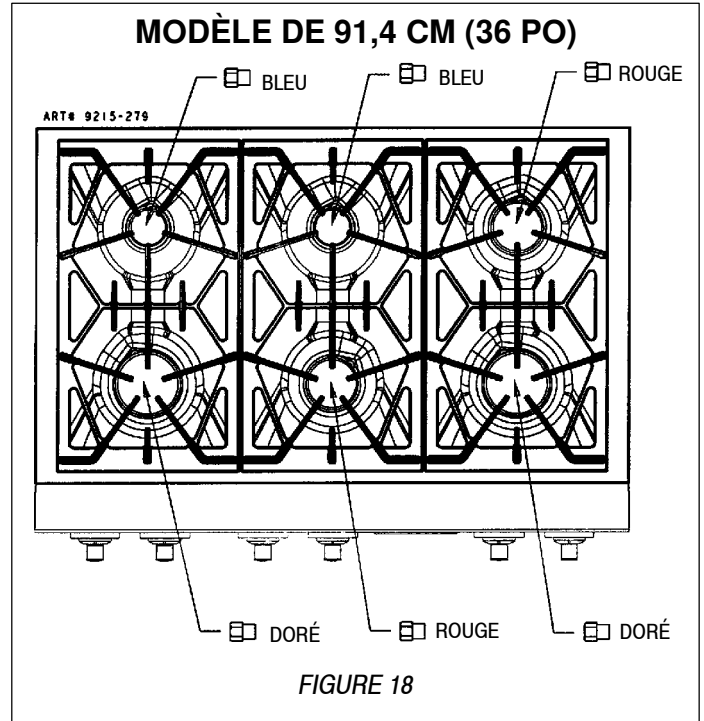
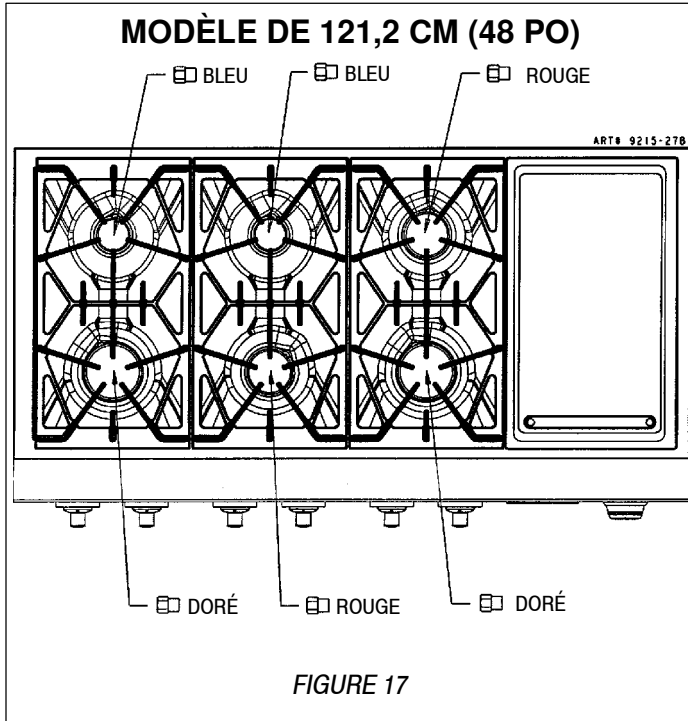
(Voir les figures 13 ou 14.)

Lorsque l'appareil est en place, le détendeur doit se trouver à l'emplacement indiqué à la figure 8. Identifier le type de détendeur qui se trouve sur l'appareil et suivre les directives de l'illustration qui convient.

C. Régler la flamme à feu doux tel qu'indiqué page 8, point C.

Une fois les étapes A, B et C de la conversion terminées, vérifier l'apparence de la flamme de chaque brûleur sur les réglages LO (feu doux) et HI (plein feu) contre la figure 16. Si la flamme paraît trop grande ou trop petite, s'assurer que chaque étape a été effectuée correctement.

Pose des injecteurs à orifice pour gaz naturel



Allumage des brûleurs et réallumage automatique

Cet appareil est à allumage automatique, avec un dispositif d'allumage à étincelles à l'arrière de chaque brûleur. Les brûleurs sont conçus pour s'allumer dès que le bouton est suffisamment tourné pour assurer un débit de gaz capable de produire une flamme et pour se rallumer si la flamme s'éteint suite à un courant d'air ou autre. Cette fonctionnalité est offerte pour assurer un plus grand confort d'emploi et non pas comme caractéristique de sécurité.

Cet appareil ne possède pas d'obturateurs d'air. Il ne nécessite aucun réglage de l'apport d'air. Les brûleurs sont conçus pour assurer un apport d'air optimum sans obturateurs d'air, quel que soit le gaz. S'ils fonctionnent correctement, les brûleurs produisent une flamme uniformément bleue et clairement définie. Si la flamme est teintée de jaune à la pointe, qu'elle manque de définition ou qu'elle semble avoir un apport d'air insuffisant, faire appel à un technicien de service après-vente qualifié.

Les débits d'arrivée prévus sont indiqués ci-dessous.

JGCP430ADP

EMPLACEMENT DU BRÛLEUR	DÉBITS DE GAZ - GAZ NATUREL (BTU/H)	
	Hi (plein feu)	Lo (feu doux)
Avant droit	17 000	1700
Arrière droit	9 200	1050
Avant gauche	17 000	1700
Arrière gauche	5 000	600

JGCP636ADP et JGCP648ADP

EMPLACEMENT DU BRÛLEUR	DÉBITS DE GAZ - GAZ NATUREL (BTU/H)	
	Hi (plein feu)	Lo (feu doux)
Avant droit	17 000	1700
Arrière droit	9 200	1050
Avant centre	9 200	1050
Arrière centre	5 000	600
Avant gauche	17 000	1700
Arrière gauche	5 000	600

Le modèle JGCP648ADP comprend un gril électrique de 1300 W en accessoire.

Réglages requis lors de la mise en service

La mise en service de cet appareil doit être conforme aux codes locaux ou, en l'absence de tels codes, avec la norme ANSI Z223.1, dernière édition, du National Fuel Gas Code américain ou du CODE DES INSTALLATIONS B149 CAN/ACG en vigueur.

- Cet appareil est conçu pour fonctionner au gaz naturel. S'il doit être utilisé avec du GPL, suivre la méthode de conversion au GPL qui se trouve dans les instructions de mise en service.
- Vérifier qu'il n'y a pas de fuite au niveau des raccords externes. Ne jamais vérifier l'absence de fuites à l'aide d'une flamme.
- Vérifier toutes les connexions électriques.



403 WEST FOURTH STREET, NORTH • NEWTON, IA 50208, ÉTATS-UNIS

Free Manuals Download Website

<http://myh66.com>

<http://usermanuals.us>

<http://www.somanuals.com>

<http://www.4manuals.cc>

<http://www.manual-lib.com>

<http://www.404manual.com>

<http://www.luxmanual.com>

<http://aubethermostatmanual.com>

Golf course search by state

<http://golfingnear.com>

Email search by domain

<http://emailbydomain.com>

Auto manuals search

<http://auto.somanuals.com>

TV manuals search

<http://tv.somanuals.com>