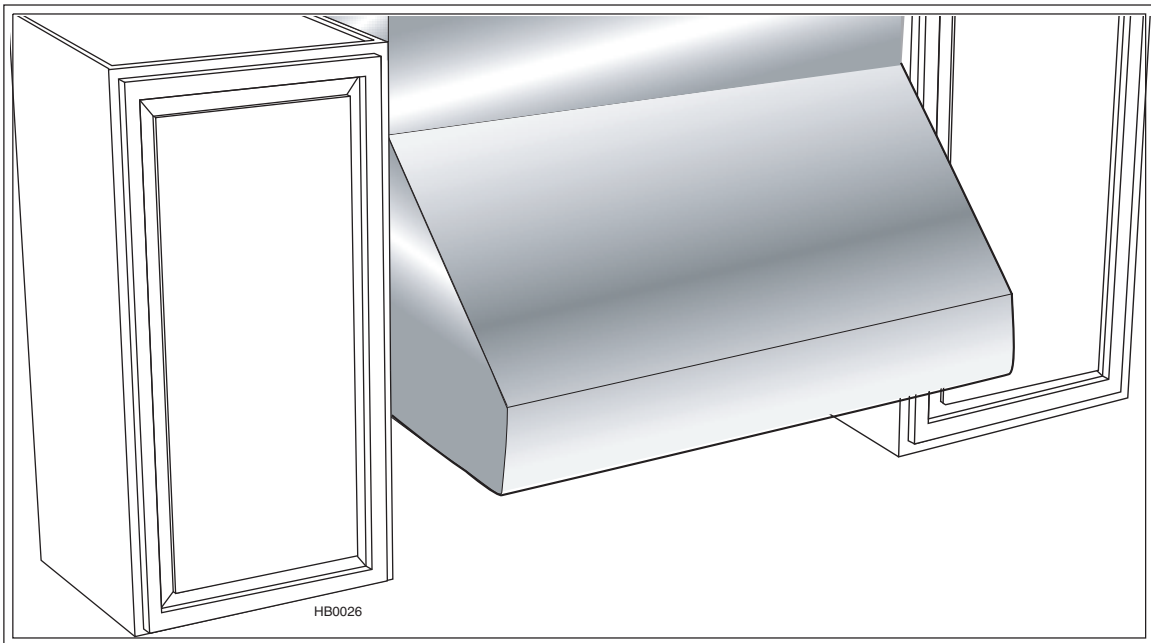




JXT-B Series Range Hood

Use & Care / Installation Manual

Models JXT9030BDP (30" wide - Stainless Steel)
 JXT9036BDP (36" wide - Stainless Steel)
 JXT9048BDP (48" wide - Stainless Steel)



⚠ INTENDED FOR DOMESTIC COOKING ONLY ⚠

READ AND SAVE THESE INSTRUCTIONS

TABLE OF CONTENTS

SECTION	PAGE	SECTION	PAGE
Warranty	2	Jenn-Air Range Hood System	6
Safety Instructions	3	Prepare The Hood Location	7
Operation	4	Prepare The Hood	8
Cleaning	4	Install The Hood	9
Parts Included With Hood	5	Connect The Wiring	10
Parts Not Included With Hood	5	Wiring Diagram	10
Optional Parts	5	Finalize the Installation	10
Tools Needed	5	Install The Filters	11
		Service Parts	12

WARRANTY

JENN-AIR WARRANTY

Congratulations on your purchase of a Jenn-Air appliance. We wish to express our confidence in the product by advising you of your warranty. All Jenn-Air appliances carry a minimum warranty of 1st year full warranty parts and labor, plus a 2nd year limited warranty parts only. Warranties begin on the date of purchase. The chart below details specific warranties by product category. The years after date of original purchase are listed across the top.

PRODUCT		YEARS				
		1	2	3	4	5
Cooktop, Range, Wall Oven <i>(Gas or Electric)</i>	Parts	All	All	Glass Ceramic Top due to thermal breakage. Radiant, Halogen and Solid Element Failure.		
	Labor	Yes	Electronic Control Panel Components			
Accessories	Parts	All	All	Glass Ceramic Top due to thermal breakage. Radiant, Halogen and Solid Element Failure.		
	Labor	Yes				
Combination Microwave Wall/Oven or Microwave Oven	Parts	All	All	Limited to Magnetron, Touch Pad Assembly, Microprocessor, Power & Microprocessor Transformer, Capacitor, Rectifier, Triac Assembly		
	Labor	Yes	Electronic Control Panel Components	Limited to Magnetron, Touch Pad Assembly, Microprocessor, Power & Microprocessor Transformer, Capacitor, Rectifier, Triac Assembly		

OWNER'S RESPONSIBILITIES

The customer has certain responsibilities which must be satisfied to qualify for coverage under these warranties. For all products, the owner is responsible for providing normal care and maintenance in accordance with the Use & care instructions, providing proof of purchase on request, proper installation and making the appliance reasonably accessible for service. Warranties are for failure in normal use.

WARRANTY SERVICE

Under the full warranty, service must be performed by an Authorized Jenn-Air Service Contractor. To obtain service, contact the dealer from whom the unit was purchased, an authorized service contractor, or contact Jenn-Air Customer Assistance, c/o Maytag Customer Service, P.O. Box 2370, Cleveland, TN 37320-2370, 1-800-688-1100. Please include model number, serial number, and date of original retail purchase in all correspondence. Service will be provided during normal business hours. All replacement parts assume the unused portion of this warranty. Limited parts warranty covers costs of parts only. Trip charge, transportation and labor costs are the responsibility of the owner. This warranty gives you specific legal rights, and you may also have other rights which vary from state to state.

CANADIAN RESIDENTS

This warranty covers only those appliances installed in Canada that have been listed with Canadian Standards Association of Canadian Gas Association unless the appliances are brought into Canada due to transfer of residence from the United States to Canada.

FOR YOUR RECORDS

Record the following information and retain this entire sheet for your future reference



Model Number

Serial Number

Date Purchased

JENN-AIR COMPANY
ONE DEPENDABILITY SQ.
NEWTON, IOWA 50208-0039

SAFETY INSTRUCTIONS

WARNING

TO REDUCE THE RISK OF FIRE, ELECTRIC SHOCK, OR INJURY TO PERSONS, OBSERVE THE FOLLOWING:

1. Use this unit only in the manner intended by the manufacturer. If you have questions, contact the manufacturer at the address listed in the warranty.
2. Before servicing or cleaning unit, switch power off at service panel and lock the service disconnecting means to prevent power from being switched on accidentally. When the service disconnecting means cannot be locked, securely fasten a prominent warning device, such as a tag, to the service panel.
3. Installation work and electrical wiring must be done by a qualified person(s) in accordance with all applicable codes and standards, including fire-rated codes and standards.
4. Sufficient air is needed for proper combustion and exhausting of gases through the flue (chimney) of fuel burning equipment to prevent backdrafting. Follow the heating equipment manufacturer's guideline and safety standards such as those published by the National Fire Protection Association (NFPA), and the American Society for Heating, Refrigeration and Air Conditioning Engineers (ASHRAE), and the local code authorities.
5. When cutting or drilling into wall or ceiling, do not damage electrical wiring and other hidden utilities.
6. Do not use this range hood with any additional solid state speed control device.
7. Ducted fans must always be vented to the outdoors.
8. To reduce the risk of fire, use only steel ductwork.
9. This unit must be grounded.

TO REDUCE THE RISK OF A RANGE TOP GREASE FIRE:

1. Never leave surface units unattended at high settings. Boilovers cause smoking and greasy spillovers that may ignite. Heat oils slowly on low or medium settings.
2. Always turn hood ON when cooking at high heat or when cooking flaming foods.
3. Clean ventilating fans frequently. Grease should not be allowed to accumulate on fan or filter.
4. Use proper pan size. Always use cookware appropriate for the size of the surface element.

WARNING

TO REDUCE THE RISK OF INJURY TO PERSONS IN THE EVENT OF A RANGE TOP GREASE FIRE, OBSERVE THE FOLLOWING:*

1. SMOTHER FLAMES with a close-fitting lid, cookie sheet, or metal tray, then turn off the burner. BE CAREFUL TO PREVENT BURNS. If the flames do not go out immediately, EVACUATE AND CALL THE FIRE DEPARTMENT.
 2. NEVER PICK UP A FLAMING PAN - You may be burned.
 3. DO NOT USE WATER, including wet dishcloths or towels - This could cause a violent steam explosion.
 4. Use an extinguisher ONLY if:
 - A. You know you have a Class ABC extinguisher and you already know how to operate it.
 - B. The fire is small and contained in the area where it started.
 - C. The fire department is being called.
 - D. You can fight the fire with your back to an exit.
- * Based on "Kitchen Fire safety Tips" published by NFPA.

CAUTION

1. For general ventilating use only. Do not use to exhaust hazardous or explosive materials and vapors.
2. To avoid motor bearing damage and noisy and/or unbalanced impellers, keep drywall spray, construction dust, etc. off power unit.
3. Your hood motor has a thermal overload which will automatically shut off the motor if it becomes overheated. The motor will restart when it cools down. If the motor continues to shut off and restart, have the hood serviced.
4. For best capture of cooking impurities, the bottom of the hood should be a minimum of 24" and a maximum of 30" above the cooking surface.
5. To reduce the risk of fire and to properly exhaust air on a ducted installation, be sure to duct air outside - Do not exhaust air into spaces within walls or ceiling or into attics, crawl spaces, or garage.
6. This product is equipped with a thermostat which may start blower automatically. To reduce the risk of injury and to prevent power from being switch on accidentally, switch power off at service panel and lock or tag service panel.
7. The Jenn-Air hood must be installed with blower models H325B or H326B only. Other blowers cannot be substituted. (Blowers sold separately).
8. Use with approved cord-connection kit only.
9. Please read specification label on product for further information and requirements.

Warranty

Safety

Operation

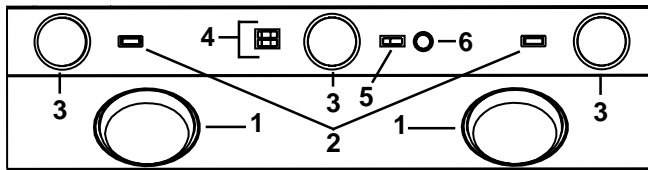
Cleaning

Installation

Service Parts

OPERATION

Always turn ON your hood before you begin cooking in order to establish an air flow in the kitchen. Let the blower run for a few minutes to clear the air after you turn off the range. This will help keep the whole kitchen cleaner and brighter.



HC0004K

1. Warming lamps
2. Warming lamp switches
3. Halogen lights
4. Halogen light switches
5. ON/OFF Blower switch
6. Blower speed control

Warming Lamps (Infrared)

Each warming lamp (item 1 on picture above) is controlled with its own ON/OFF switch (item 2 on picture above).

Use only BR40 Size, 250W Max., Infrared bulbs. (Purchase separately.)



WARNING: Do not place highly flammable material on warming shelves.

Cooktop Lighting (Halogen)

A double set of ON/OFF switches (item 4 on picture above) control the halogen lights (item 3 on picture above).

The front rocker controls the center light. The rear rocker controls both side lights. Select one, two, or three lights for best cooktop lighting.

Use PAR 20, 50W halogen bulbs. (Purchase separately.)

Blower

The blower is operated using two (2) controls.

Use the ON/OFF blower switch (item 5 on picture above) to start and stop the blower. When turned on, the blower will operate at the previous setting of the speed control (item 6 on the picture above).

Turn the speed control knob clockwise to decrease blower speed - counterclockwise to increase speed.

HEAT SENTRY™

Your hood is equipped with a HEAT SENTRY™ thermostat. This thermostat is a device that will turn on or speed up the blower if it senses excessive heat above the cooking surface.

- 1) If blower is OFF - it turns blower ON to high speed.
- 2) If blower is ON at a lower speed setting - it turns blower up to HIGH speed.

When the temperature level drops to normal, the blower will return to its original setting.



WARNING: The HEAT SENTRY™ thermostat can start the blower even if the hood is turned OFF. When this occurs, it is impossible to turn the blower OFF with the switch. If you must stop the blower, do it from the main electrical panel.

CLEANING

Grease filters

The grease filters should be cleaned frequently. Use a warm detergent solution. Grease filters are dishwasher safe.

Wash more often if your cooking style generates greater grease - like frying foods or wok cooking.

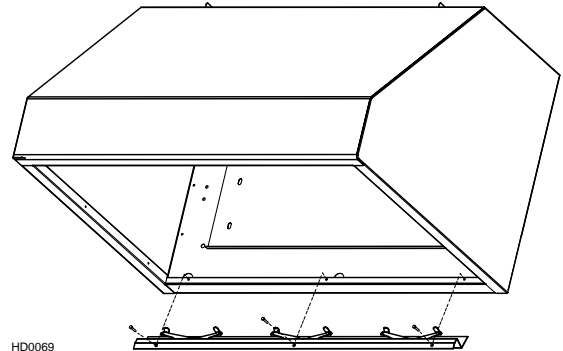
Remove filters by pushing filters towards the back of hood and rotating filters downward.

Blower Cleaning

Remove the grease filters in order to access the blower. Vacuum blower to clean. Do not immerse in water. Refer to blower instruction manual for more details.

Grease Rail

The grease rail should be cleaned frequently. Remove filters, then, disassemble the grease rail from the hood by removing its 3 retaining screws. See illustration below.



Refer to *Stainless steel cleaning* in Hood Cleaning section below. Once the grease rail is clean and dry, reassemble it to the hood and reinstall filters.

Hood Cleaning

Stainless steel cleaning: How to maintain its "BRIGHT LOOK"

Do:

- Regularly wash surfaces with clean cloth or rag soaked with warm water and mild soap or liquid dish detergent.
- Always clean in the direction of original polish lines.
- Always rinse well with clear water (2 or 3 times) after cleaning. Wipe dry completely.
- You may also use a specialized household stainless steel cleaner.

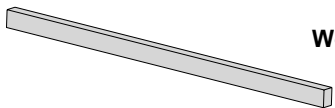
Don't:

- Do not use any steel or stainless steel wool or any other scrapers to remove stubborn dirt.
- Do not use any harsh or abrasive cleaners.
- Do not allow dirt to accumulate.
- Do not let plaster dust or any other construction residues reach the hood. During construction/renovation, cover the hood to make sure no dust sticks to stainless steel surface.

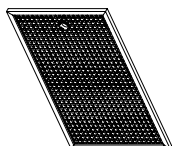
Avoid: when choosing a detergent

- Any cleaners that contains **bleach** will attack stainless steel.
- Any products containing: **chloride, fluoride, iodide, bromide** will deteriorate surfaces rapidly.
- Any combustible products used for cleaning such as **acetone, alcohol, ether, benzol**, etc., are highly explosive and should not be used close to a range.

PARTS INCLUDED WITH HOOD



Wood mounting strip



Grease Filters
(3 per 30" and 36" hood)
(4 per 48" hood)



Parts Bag
(includes 4 flat head screws #10-2",
8 screws #8-3/4", 4 Nuts #10-32,
2 Wall anchors and
2 Washers 3/16" ID x 3/4" OD)

PARTS NOT INCLUDED WITH HOOD



PAR 20 50W
Light Bulb
(3 per hood)



BR40, 250W Max.
Warming Lamp
(2 per hood)

Blowers

(See "Jenn-Air JXT-B Range Hood System" on page 6 for Blower Model Nos.)

Ducting Accessories

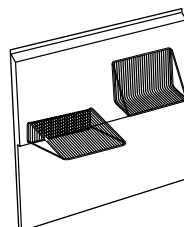
(See "Jenn-Air JXT-B Range Hood System" on page 6 for Ducting Accessory Model Nos.)

OPTIONAL PARTS



Pro Style Soffit Chimney

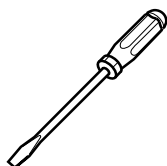
Description	Model Number
30" Stainless	JXA9030BDP
36" Stainless	JXA9036BDP
48" Stainless	JXA9048BDP



Pro Style Backsplash

Description	Model Number
30" Stainless	JXA9003BDP
36" Stainless	JXA9002BDP
48" Stainless	JXA9001BDP

TOOLS NEEDED FOR HOOD INSTALLATION



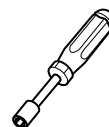
Screwdriver
(Robertson or Phillips)



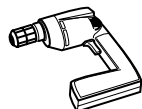
Pencil



Tape
Measure



3/8"
Nutdriver



Drill



Sabre
Saw



Keyhole
Saw



Duct Tape



Wire
Stripper

Warranty

Safety

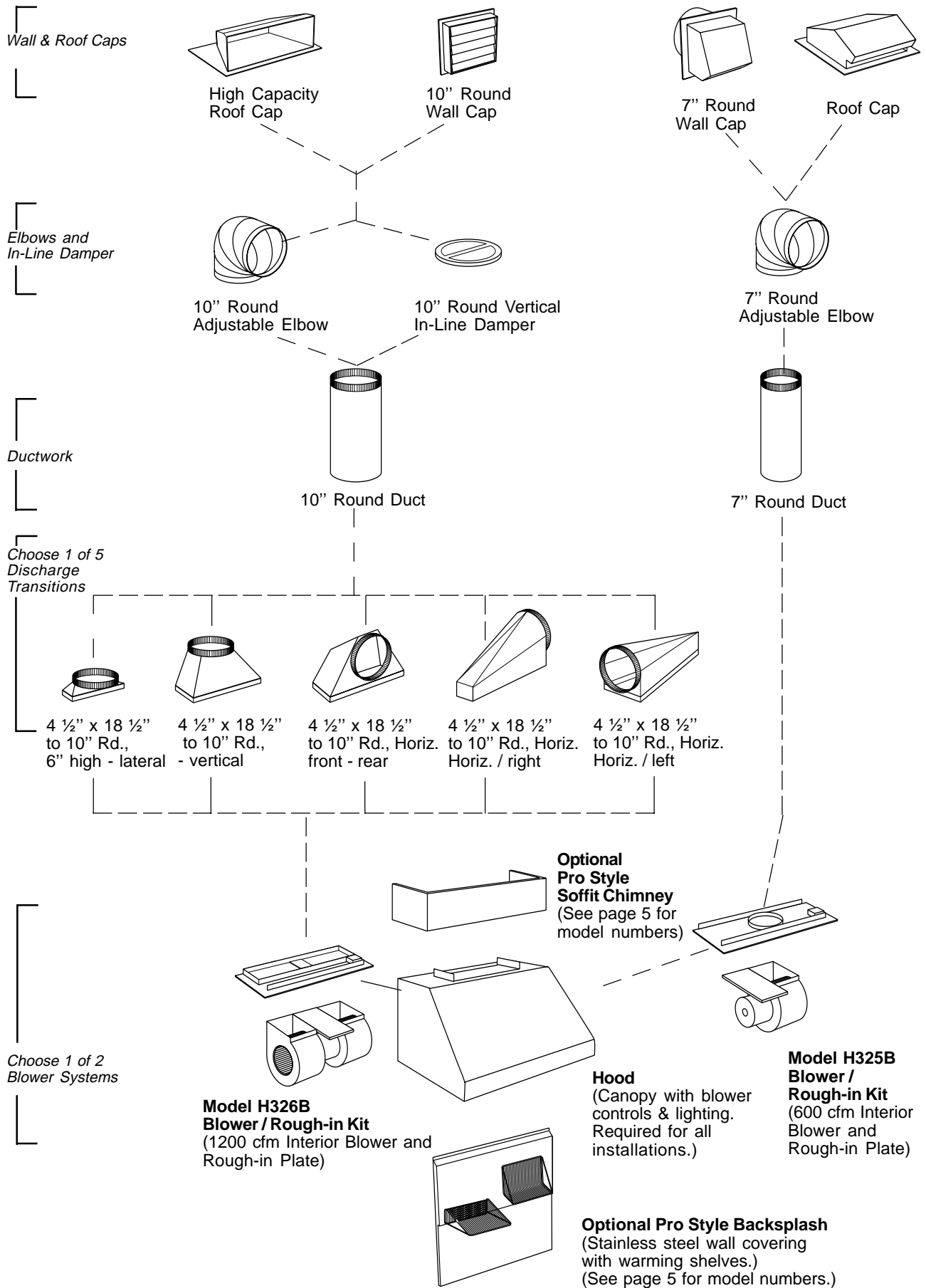
Operation

Cleaning

Installation

Service Parts

JENN-AIR JXT-B RANGE HOOD SYSTEM



PREPARE THE HOOD LOCATION

1. The Jenn-Air hood must be installed with interior blower model H325B or H326B only. Other blowers cannot be substituted. (Blowers sold separately.)

In addition to the blower models listed above, the hood is also compatible with older internal blower versions H325 and H326. However, discard the installation instructions included with those blowers and contact Jenn-Air to obtain replacement instructions.

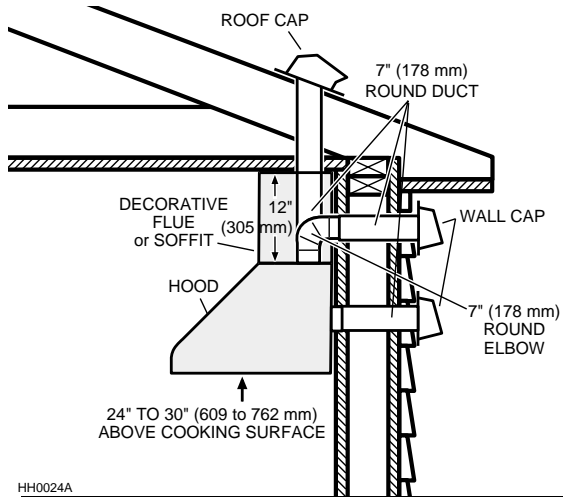
Plan where and how the ductwork will be located.

Install proper-sized ductwork, transition(s), elbow(s), and roof or wall cap for the model of blower you are using.

For best results, use a minimum number of transitions and elbows.

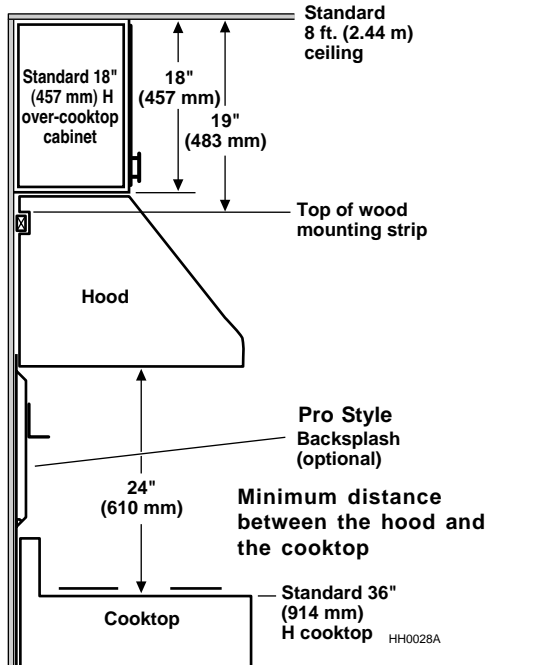
2. Dimensions for the most common installations are shown below.

Adjust your measurements for various heights of ceilings, soffits, cabinets or cooktops. **For proper operation, the hood must be a minimum of 24" and a maximum of 30" above the cooktop.**

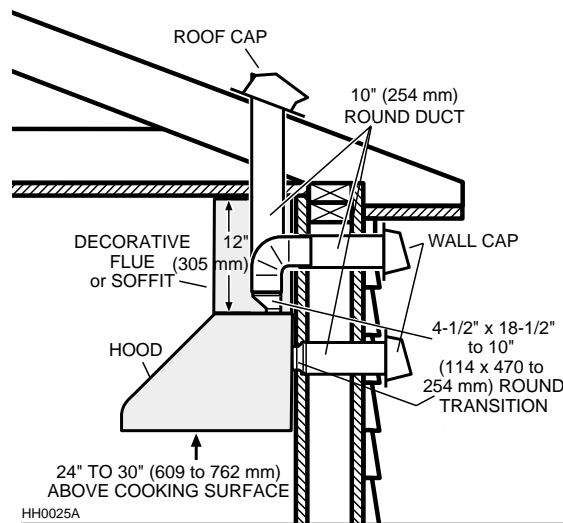


HH0024A

**MODEL H325B SINGLE BLOWER
TYPICAL DUCTWORK**

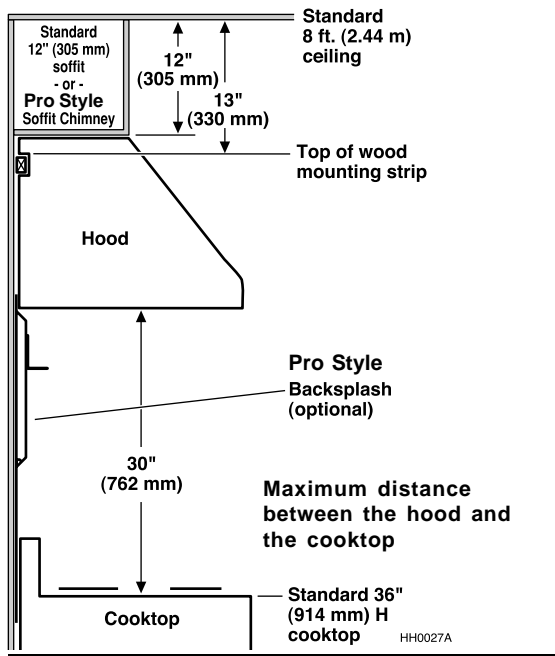


**INSTALLATION WITH STANDARD 18" HIGH
OVER-COOKTOP CABINET**



HH0025A

**MODEL H326B DUAL BLOWER
TYPICAL DUCTWORK**



**INSTALLATION WITH 12" SOFFIT OR
OPTIONAL PRO STYLE SOFFIT CHIMNEY**

Warranty

Safety

Operation

Cleaning

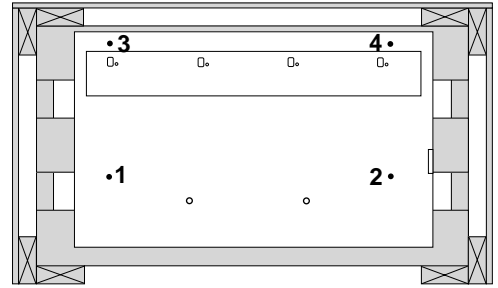
Installation

Service Parts

PREPARE THE HOOD

- Using a Phillips #2 or a Robertson #2 screwdriver, unscrew the hood from the bottom of crate. Refer to figure to the right to locate all 4 screws. Discard these screws and remove hood from wood pallet.

HR0002



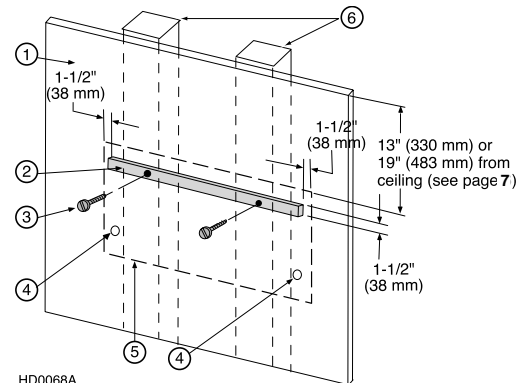
OPTION

A Pro Style backsplash is available (see page 5 for more details). This backsplash must be installed before the hood shell because the hood shell covers the backsplash top mounting screws. In order to be able to install the backsplash, make sure you have at least 18" (457 mm) clearance between bottom of hood and range control panel or cooktop. (Refer to instructions included with backsplash.)

- Measure and mark a level line on wall above cooktop location for the wood mounting strip (see illustrations to the right and under step 2 on page 7). Use **#10-2" flat head screws** (included in the parts bag) to secure the **mounting strip** to the drywall. Make sure to hit the wall studs.



CAUTION: Due to the weight of this hood, ensure that the wood strip is attached to all of the available wall studs (2 studs minimum for the 30" hood, more as hood width increases); not into drywall alone.



HD0068A

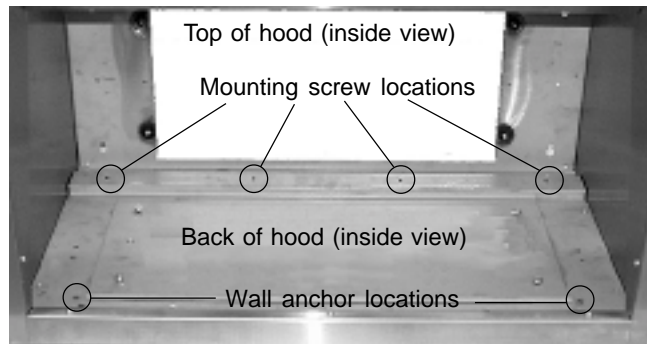
- Drywall
- Wood Mounting Strip
- Flat Head Screw
- Wall Anchor Location
- Outline of the Back of the Hood
- Wall Studs

INSTALL THE HOOD

1. Rest the back cavity of the hood on the wood mounting strip.

CAUTION: Hold the hood until it is completely secured to the wood mounting strip.

Secure hood to wood strip with (4) **screws #8 - 3/4"** (for 30" and 36" width hoods) or (6) screws (for 48" width hood) provided at location shown. Drill (2) 3/16" size holes into the drywall for wall anchors through the existing holes in the inside hood back in the locations shown. Then install the (2) **wall anchors** and attach the hood to these anchors with the remaining **#8 - 3/4" screws** and the (2) **washers** provided.



HD0064

2. Attach transition (if required) to blower rough-in plate. Refer to page 6 for available models. Use duct tape to make all joints secure and air-tight.

NOTE

Model H325B blower plate connects directly to 7" round duct without a transition.

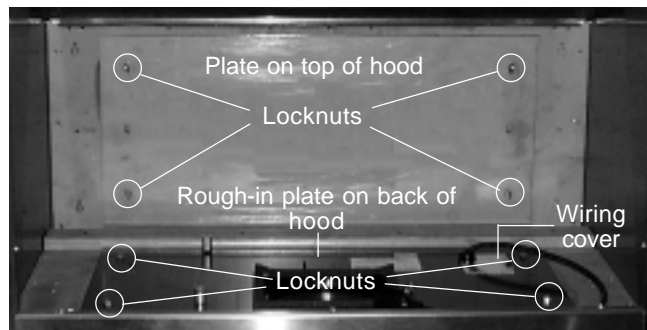


3. Run power cable to installation location. Refer to the instructions included with the selected **blower / rough-in kit** (sold separately) for details on installing the rough-in plate. Install the rough-in plate so that the wiring box is located on the right side as you are facing the hood.

For ducting through back of hood, remove existing plate from inside back of hood and attach to inside top of hood to cover hole. Secure to threaded studs with same (4) nuts.

For ducting through top of hood, existing plate remains in place on inside back of hood.

Connect ducting to transition or rough-in plate as you are installing the rough-in plate. Use duct tape to make all joints secure and air-tight.



HD0063

Warranty

Safety

Operation

Cleaning

Installation

Service Parts

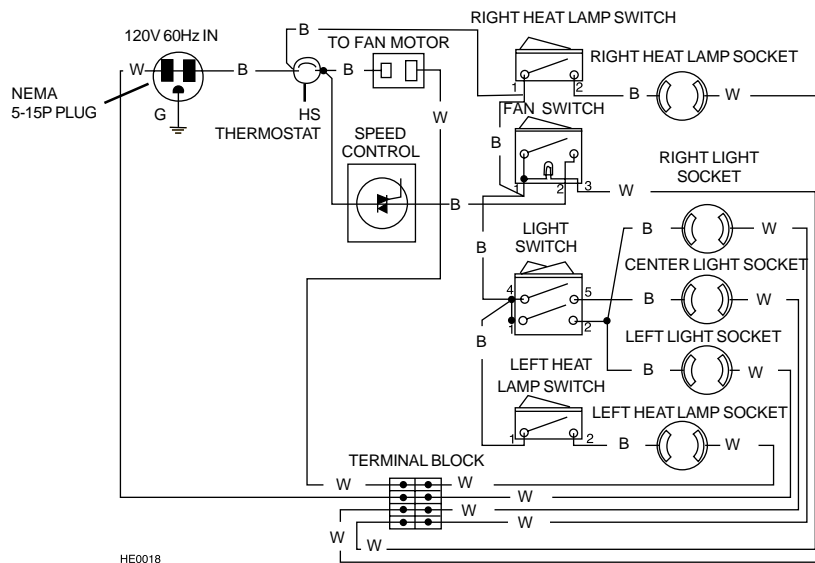
CONNECT THE WIRING



WARNING: Risk of electrical shock. Electrical wiring must be done by qualified personnel in accordance with all applicable codes and standards. Before connecting wires, switch power off at service panel and lock service disconnecting means to prevent power from being switched on accidentally.

1. Remove wiring cover from rough-in plate and set aside.
2. Remove appropriate knock-out from rough-in plate. As you are installing the rough-in plate, feed 6" of power cable through knock-out opening and attach cable to wiring box with appropriate connector.
3. Connect BLACK to BLACK, WHITE to WHITE and GREEN or bare wire under GREEN ground screw. Reinstall wiring cover.

WIRING DIAGRAM



FINALIZE THE INSTALLATION

OPTION

A Pro Style decorative soffit chimney is available - to hide ductwork if the hood is not installed under a cabinet. Refer to the instructions included with the soffit chimney.

Refer to page 5 for ordering information.

1. To install blower, refer to instructions included with blower / rough-in kit. Once the blower is installed, plug the blower unit into the female receptacle and the power supply onto the male connector inside the hood. **DO NOT** plug the two cords into each other.

See page 6 for blower / rough-in kit information.



HE0003

2. Install (2) heat lamp bulbs. Use BR40 size, 250W Max., infrared bulbs only (purchase separately). Install (3) halogen light bulbs. Use PAR20 50W size (purchase separately).

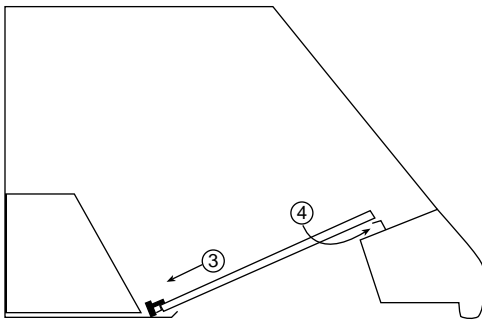
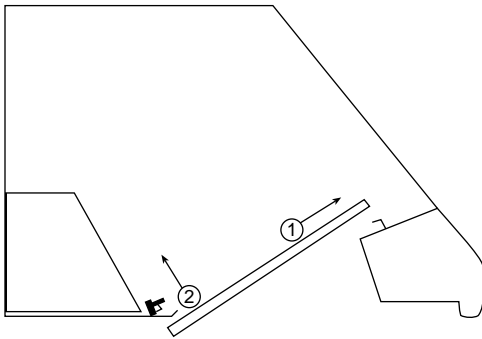
INSTALL FILTERS



CAUTION: Remove protective plastic film covering filters before installing them.

It is recommended to install side filters first and finish with center one(s).

- 1) Insert upper end of filter into the hood (pull tab side).
- 2) Raise lower end toward the inside of hood.
- 3) Position rear part of filter into channel and pull.
- 4) Using the pull tab, pull on the upper end of filter and slide it under the front inner retaining piece.



HD0024



HD0075

Replacement filters are available.
Refer to page 12 for ordering information.

Warranty

Safety

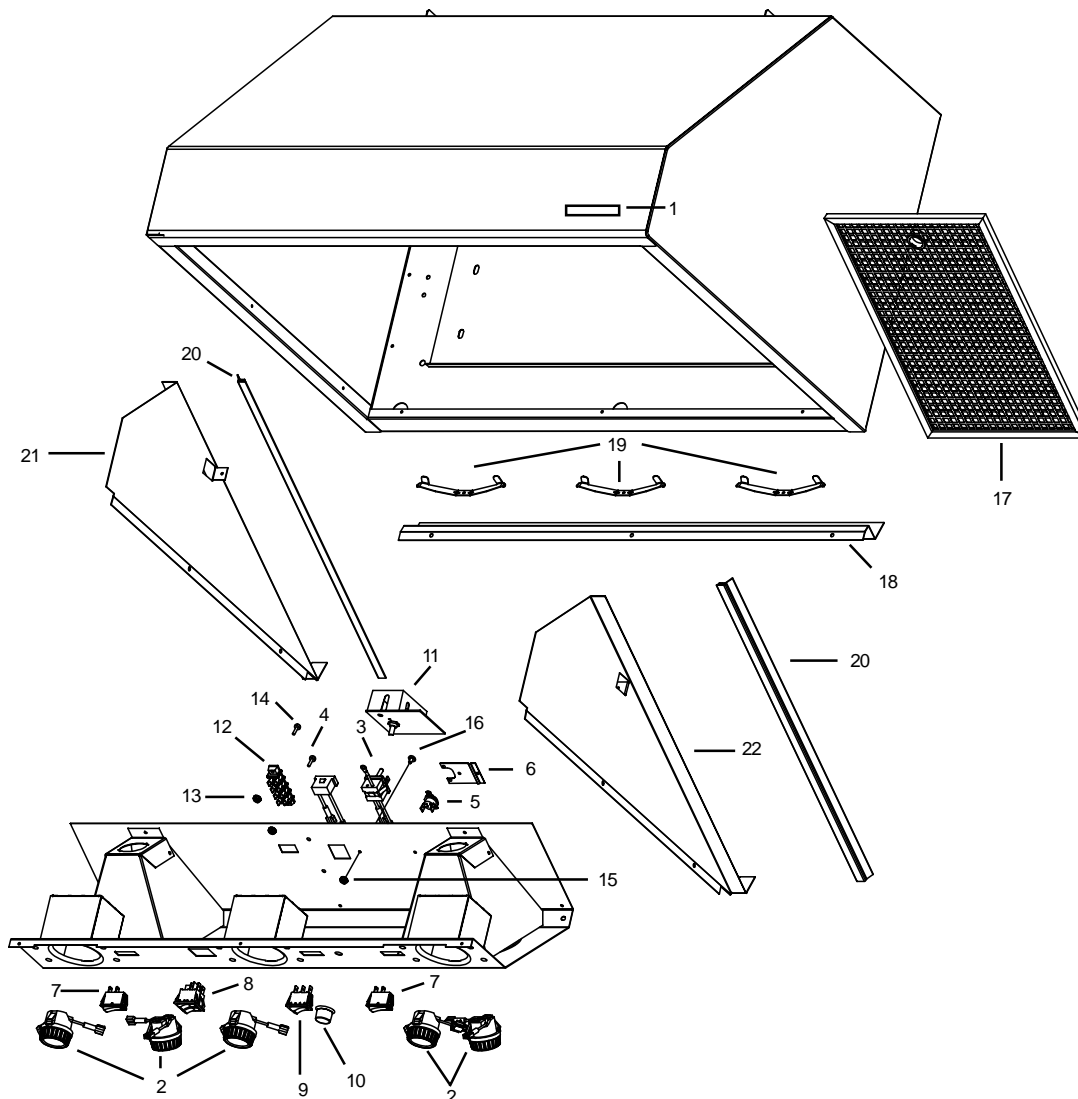
Operation

Cleaning

Installation

Service Parts

SERVICE PARTS



HL0031

KEY NO.	PART NO.	DESCRIPTION
1	V05617	Jenn-Air Logo
2	V02264	Porcelain Lamp Socket
3	V02773	Male Motor Connector
4	V02772	Female Motor Connector
5	V03435	Thermostat
6	V03436	Thermostat Bracket
7	V02563	SPST Single Switch for Heat Lamps
8	V03502	SPST Double Switch for Halogen Lights
9	V03503	SPST Lighted Single Switch for Blower
10	V03504	Speed Control Button
11	V03501	Speed Control
12	V03505	Terminal Block
**	V03517	Power Cord
**	V03519	Control Wire
**	V03520	Lighted Switch Wire
13	V00673	Lock Nut 8-32
14	V02512	Machine Screw 8-32 x 1/2 Quadrex
15	V01869	Machine Screw 6-32 x 1/4 Pan Quadrex

KEY NO.	PART NO.	DESCRIPTION
16	V01582	Lock Nut 6-32
17	V05730	Micromesh Filter for 30" Hood 9.5 x 15.25 x 0.355 (3 required)
	V05731	Micromesh Filter for 36" Hood 11.61 x 15.25 x 0.355 (3 required)
	V05731	Micromesh Filter for 48" Hood 11.61 x 15.25 x 0.355 (4 required)
18	V14763	Grease Rail 30"
	V14764	Grease Rail 36"
	V14766	Grease Rail 48"
19	V05528	Filter Spring 5.265" x 0.350"
20	V05521	Sealing Extrusion 20.625"
21	V14744	Left Side Liner
22	V14745	Right Side Liner
**	V05729	Manual for Jenn-Air
**	V12971	Installation Bag (Flat head screws #10 x 2" (4), Screws #8 x 3/4" (8), Nuts #10-32 (4), Wall anchors (2), Washers 3/16" ID x 3/4" OD (2))
**	V02544	Halogen Lamp PAR20 50W
*		Heat Lamp BR40, 250W max.

Order replacement parts by PART NO. - not by KEY NO.

* Purchased locally.

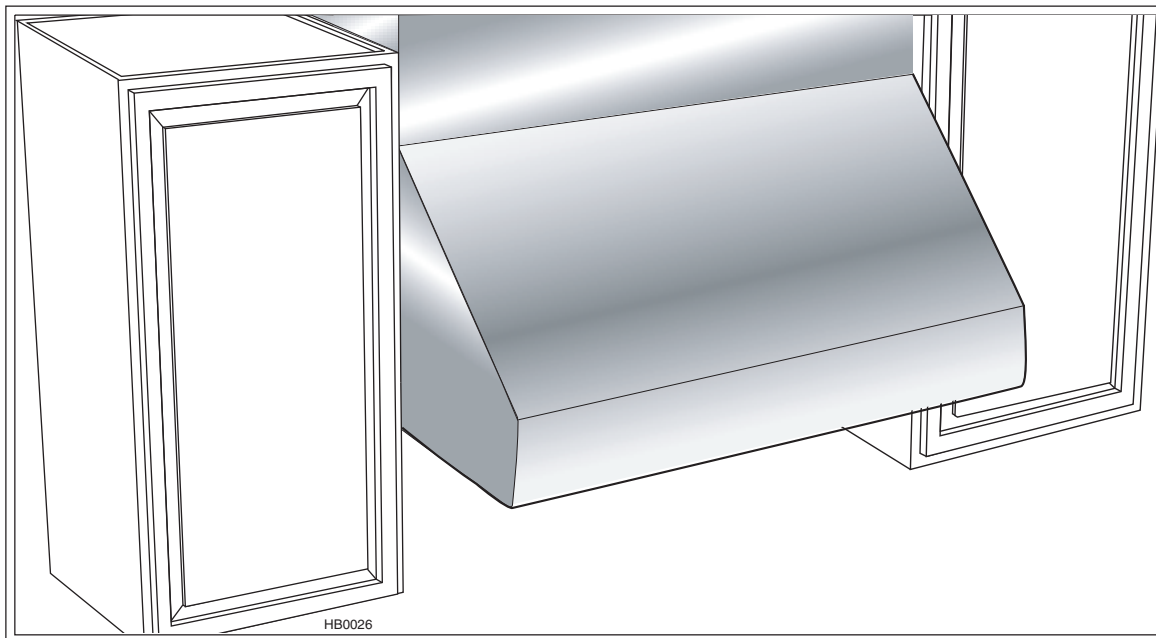
** Not illustrated.



Hotte de cuisinière Série JXT-B

Guide d'installation, d'utilisation et d'entretien

Modèles JXT9030BDP (*Largeur : 30" - Acier inoxydable*)
JXT9036BDP (*Largeur : 36" - Acier inoxydable*)
JXT9048BDP (*Largeur : 48" - Acier inoxydable*)



⚠️ CONÇUE POUR LA CUISSON DOMESTIQUE SEULEMENT ⚠️

LIRE ET CONSERVER CES INSTRUCTIONS

TABLE DES MATIÈRES

SECTION	PAGE	SECTION	PAGE
Garantie	14	Système de hotte de cuisinière Jenn-Air	18
Instructions de sécurité	15	Préparation de la localisation de la hotte	19
Fonctionnement	16	Préparation de la hotte	20
Nettoyage	16	Installation de la hotte	21
Pièces comprises	17	Branchement électrique	22
Pièces non comprises	17	Schéma électrique	22
Pièces optionnelles	17	Finalisation de l'installation	22
Outils nécessaires	17	Installation des filtres	23
		Pièces de remplacement	24

GARANTIE

GARANTIE JENN-AIR

En achetant un appareil Jenn-Air, vous avez fait un choix judicieux. La garantie suivante témoigne de la confiance que nous avons en nos produits. Tous les appareils Jenn-Air sont couverts au minimum par une garantie complète d'un an sur les pièces et la main-d'oeuvre, et d'une garantie limitée aux pièces pour la deuxième année. Nos garanties débutent à la date d'achat. Le tableau ci-dessous expose les garanties particulières selon les catégories de produits. Les années écoulées depuis la date d'achat originale figurent en haut du tableau.

PRODUIT		ANS				
		1	2	3	4	5
Plaques de cuisson, cuisinière, fours encastrés <i>(Au gaz ou électrique)</i>	Pièces	Toutes	Toutes	Surface de céramique contre les ruptures thermiques, Défectuosité des éléments radiants, halogènes et en fonte.		
	Main-d'oeuvre	Oui	Composants électroniques du panneau de commande			
Accessoires	Pièces	Toutes	Toutes	Surface de céramique contre les ruptures thermiques, Défectuosité des éléments radiants, halogènes et en fonte.		
	Main-d'oeuvre	Oui				
Fours combinés micro-ondes/ encastrés ou fours micro-ondes	Pièces	Toutes	Toutes	Limitée au magnétron, panneau de touches, microprocesseur, transformateur d'alimentation et du microprocesseur, condensateur, redresseur et ensemble de triac		
	Main-d'oeuvre	Oui	Composants électroniques du panneau de commande	Limitée au magnétron, panneau de touches, microprocesseur, transformateur d'alimentation et du microprocesseur, condensateur, redresseur et ensemble de triac		

RESPONSABILITÉS DE L'ACHETEUR

L'acheteur doit assumer certaines responsabilités pour avoir droit à la couverture des présentes garanties.

Pour tous les produits, l'acheteur doit veiller à l'entretien normal de l'appareil conformément aux instructions d'entretien, présenter sur demande une preuve d'achat, s'assurer que l'appareil est correctement installé et suffisamment accessible pour les réparations. Les présentes garanties s'appliquent aux défectuosités survenues lors d'une utilisation normale dans une maison.

GARANTIE DE RÉPARATION

Conformément à la garantie complète, les réparations doivent être exécutées par un technicien Jenn-Air agréé. Pour faire réparer votre appareil, contactez l'établissement où vous avez effectué votre achat, un technicien agréé ou le service à la clientèle Jenn-Air, a/s Service à la clientèle Maytag, B.P. 2370, Cleveland, TN 37320-2370, 1-800-688-1100. Veuillez indiquer le numéro de modèle, le numéro de série et la date d'achat originale dans toutes vos correspondances. Les réparations seront exécutées pendant les heures d'affaires normales. Toutes les pièces de rechange sont couvertes pour la période non utilisée de cette garantie.

La garantie limitée aux pièces ne couvre que les coûts des pièces. L'acheteur assumera les frais de déplacement, de transport et de main-d'oeuvre. Cette garantie vous accorde des droits légaux particuliers auxquels peuvent s'ajouter d'autres droits pouvant varier d'un état à un autre ou d'une province à une autre.

RÉSIDENTS CANADIENS

Cette garantie ne couvre que les appareils installés au Canada et homologués par l'Association canadienne de normalisation de l'Association canadienne du gaz, à moins que les appareils aient été apportés au Canada à la suite d'un déménagement des États-Unis vers le Canada.

POUR VOS DOSSIERS

Veuillez noter les renseignements suivants et conserver cette feuille dans vos dossiers.



JENN-AIR COMPANY
ONE DEPENDABILITY SQ.
NEWTON, IOWA 50208-0039

Numéro de modèle

Numéro de série

Date d'achat

INSTRUCTIONS DE SÉCURITÉ

AVERTISSEMENT

AFIN DE RÉDUIRE LES RISQUES D'INCENDIE, D'ÉLECTROCUTION OU DE BLESSURES CORPORELLES, SUIVEZ LES INSTRUCTIONS SUIVANTES :

1. N'utiliser cet appareil que de la façon prévue par le fabricant. Si vous avez des questions, contactez le fabricant à l'adresse et au numéro de téléphone indiqués sur la garantie.
2. Avant de réparer ou de nettoyer l'appareil, couper l'alimentation électrique en verrouillant le panneau de service afin d'éviter sa remise en marche accidentelle. Si le panneau de service ne peut être verrouillé, y fixer un avertissement en évidence.
3. Les travaux d'installation et de raccordement électrique doivent être effectués par un personnel qualifié, conformément aux codes et standards de construction, incluant ceux concernant le feu.
4. Une quantité d'air adéquate est requise afin d'assurer une bonne combustion et l'évacuation des gaz par la cheminée dans le cas des équipements alimentés au gaz, afin de prévenir les retours de cheminée. Conformez-vous aux instructions et aux standards de sécurité des fabricants d'équipement de chauffage, tels que publiés par le National Fire Protection Association (NFPA) et l'American Society for Heating, Refrigeration and Air Conditioning Engineers (ASHRAE), ainsi que les responsables des codes locaux.
5. Lorsque vous coupez ou percez un mur ou un plafond, prenez garde de ne pas endommager les fils électriques ou tout appareil cachés.
6. Ne pas utiliser cet appareil avec une commande de vitesse à semi-conducteur additionnelle.
7. Les ventilateurs avec conduits doivent toujours être ventilés à l'extérieur.
8. Afin de réduire les risques d'incendie, n'utilisez que des conduits de métal.
9. Cet appareil doit être mis à la terre.

AFIN DE RÉDUIRE LES RISQUES DE FEU DE CUISINIÈRE :

1. Ne jamais laisser les appareils de cuisson sans surveillance lorsqu'ils sont réglés à feu vif. Les débordements engendrent de la fumée et des déversements graisseux pouvant s'enflammer. Chauffez l'huile lentement, à feu doux ou moyen.
2. Toujours mettre la hotte en marche lorsque vous cuisinez à feu vif ou que vous cuisinez des mets flambés.
3. Nettoyez régulièrement la roue du ventilateur. Ne laissez pas la graisse s'accumuler sur le ventilateur ou les filtres.
4. Utilisez le bon format de casserole. Servez-vous toujours de casseroles et d'ustensiles appropriés à la dimension de la surface chauffante.

AVERTISSEMENT

AFIN D'ÉVITER TOUTS RISQUES DE BLESSURES DANS LE CAS D'UN FEU DE CUISINIÈRE, SUIVEZ CES INSTRUCTIONS :*

1. Éteignez les flammes avec un couvercle hermétique, une tôle à biscuits ou un plateau métallique et ensuite, éteindre le brûleur. PRENEZ SOIN D'ÉVITER LES BRÛLURES. SI LES FLAMMES NE S'ÉTEignent PAS IMMÉDIATEMENT, ÉVACUEZ LES LIEUX ET APPELEZ LES POMPIERS.
 2. NE PRENEZ JAMAIS UNE CASSEROLE EN FLAMMES DANS VOS MAINS - Vous pourriez subir des brûlures.
 3. N'UTILISEZ PAS D'EAU, incluant linge à vaisselle ou serviette mouillés - ceci pourrait occasionner une violente explosion.
 4. N'utilisez un extincteur QUE DANS LE CAS OÙ :
 - A. Vous savez qu'il s'agit d'un extincteur de classe ABC et que vous en connaissez le fonctionnement.
 - B. L'incendie est petit et limité à l'endroit où il a débuté.
 - C. Les pompiers ont été avisés.
 - D. Vous pouvez combattre l'incendie en ayant accès à une sortie de secours.
- * Tirées du "Kitchen Fire Safety Tips" publié par la NFPA.

ATTENTION

1. Pour usage domestique seulement. Ne pas utiliser pour évacuer des vapeurs ou des produits dangereux ou explosifs.
2. Afin d'éviter tout dommage au moteur et de débalancer ou de rendre bruyante la roue du moteur, garder votre appareil à l'abri des poussières de placoplâtre et de construction/rénovation, etc.
3. Le moteur de votre hotte possède une protection thermique qui éteindra automatiquement le moteur s'il devient surchauffé. Le moteur repartira automatiquement une fois refroidi. Si le moteur continue à arrêter et à repartir, faites-le vérifier.
4. Pour une meilleure évacuation des odeurs de cuisine, le bas de votre hotte devrait être à un minimum de 24" et à un maximum de 30" au dessus de la surface de cuisson.
5. Afin de réduire les risques d'incendie, assurez-vous d'évacuer l'air à l'extérieur - Ne pas évacuer l'air dans des espaces restreints comme l'intérieur des murs ou plafond ou dans le grenier, faux plafond ou garage.
6. Ce produit est équipé d'un thermostat pouvant faire démarrer le ventilateur automatiquement. Afin de réduire le risque de blessure, couper le courant à partir du panneau électrique et verrouillez ou apposez un avertissement sur le panneau afin de prévenir que la hotte soit mise en marche automatiquement.
7. La hotte Jenn-Air doit être installée uniquement avec un des ventilateurs suivants : H325B ou H326B (vendus séparément). Aucun autre ventilateur ne doit être utilisé.
8. Cette hotte ne doit être utilisée seulement qu'avec un ensemble de cordon d'alimentation approuvé.
9. Veuillez consulter l'autocollant apposé à l'intérieur de la hotte pour plus d'information ou autres exigences.

Garantie

Sécurité

Fonctionnement

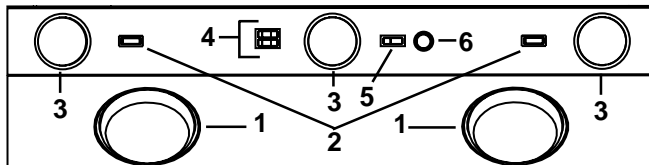
Entretien

Installation

Pièces

FONCTIONNEMENT

Toujours mettre en marche la hotte avant de commencer la cuisson afin d'établir une circulation d'air dans la cuisine. Aussi, laisser la hotte fonctionner quelques minutes après l'arrêt de la cuisinière afin de nettoyer l'air. Ceci aidera à garder la cuisine plus propre et plus claire.



HC0004K

1. Lampes chauffantes
2. Interrupteurs de lampe chauffante
3. Lampes halogènes
4. Interrupteurs de lampes halogènes
5. Interrupteur Marche/Arrêt du ventilateur
6. Contrôle de la vitesse du ventilateur

Lampes chauffantes (infrarouges) : Chaque lampe chauffante (item 1 sur l'illustration ci-dessus) possède son propre interrupteur Marche/Arrêt. N'utiliser que des ampoules infrarouges (BR40, 250W max.)



AVERTISSEMENT : Ne jamais placer de matières inflammables sous les lampes chauffantes.

Lampes halogènes : Les interrupteurs doubles Marche/Arrêt (item 4 sur l'illustration ci-dessus) contrôlent les lampes halogènes (item 3 sur l'illustration ci-dessus).

L'interrupteur avant contrôle la lampe centrale. L'interrupteur arrière contrôle les deux lampes de côté. Choisir une, deux ou trois lampes selon vos préférences d'éclairage.

Utiliser des ampoules halogènes PAR 20, 50W (non comprises).

Ventilateur : Le ventilateur est contrôlé par deux commandes.

Utiliser l'interrupteur Marche/Arrêt (item 5 sur l'illustration ci-dessus) pour actionner ou arrêter le moteur. Une fois mis en marche, le moteur fonctionnera à la vitesse pré-sélectionnée par la commande de vitesse (item 6 sur l'illustration ci-dessus).

Pour augmenter la vitesse du ventilateur, tourner le bouton de contrôle de vitesse dans le sens horaire - dans le sens anti-horaire pour diminuer la vitesse.

HEAT SENTRY^{MC}

Votre hotte est munie d'un thermostat HEAT SENTRY^{MC}. Ce thermostat est un dispositif qui actionnera ou augmentera la vitesse du ventilateur s'il détecte une chaleur excessive au-dessus de la surface de cuisson.

- 1) Si le ventilateur n'est pas en marche - il actionnera le ventilateur en haute vitesse.
- 2) Si le ventilateur fonctionne en basse vitesse - le ventilateur tournera en haute vitesse.

Lorsque la température revient à un niveau normal, le ventilateur retourne à sa vitesse d'origine.



AVERTISSEMENT : Le thermostat HEAT SENTRY^{MC} peut actionner la hotte même si la hotte est arrêtée. Si tel est le cas, il est impossible de l'arrêter avec l'interrupteur, le faire à partir du panneau électrique principal.

ENTRETIEN

Filtres

Les filtres doivent être nettoyés fréquemment. Utiliser une solution d'eau chaude et de détergent. Les filtres sont lavables au lave-vaisselle.

Les filtres doivent être lavés plus souvent si vos habitudes de cuisson génèrent plus de graisse - comme par exemple de la friture ou des aliments sautés au wok.

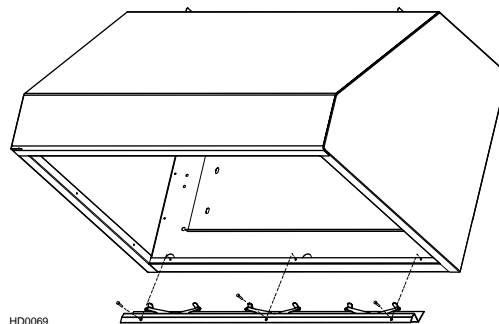
Pour retirer les filtres, pousser chaque filtre vers le bas en utilisant la languette afin de les dégager de la pièce de retenue. Puis, pousser vers l'intérieur de la hotte et les retirer.

Nettoyage du ventilateur

Retirer les filtres pour accéder au ventilateur. Passer l'aspirateur pour le nettoyer ; ne pas l'immerger dans l'eau. Pour plus de détails, consulter le guide d'instruction du ventilateur.

Gouttière

La gouttière doit être nettoyée fréquemment. Retirer les filtres, puis désassembler la gouttière de la hotte en dévissant ses 3 vis de retenue. Voir l'illustration ci-dessous.



Consulter la section nettoyage de l'acier inoxydable dans la section nettoyage de la hotte ci-dessous. Une fois la gouttière propre et sèche, la réassembler à la hotte et réinstaller les filtres.

Nettoyage de la hotte

Acier inoxydable : Comment préserver son "apparence étincelante"

À faire :

- Laver régulièrement les surfaces à l'aide d'un chiffon ou linge propre imbibé d'eau tiède et de savon doux ou de détergent à vaisselle.
- Toujours nettoyer dans la direction des lignes de grains (direction du polissage).
- Toujours bien rincer avec de l'eau propre (2 à 3 fois) et essuyer complètement.
- Un nettoyant domestique conçu spécialement pour l'acier inoxydable peut aussi être utilisé.

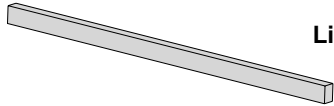
À ne pas faire :

- N'utiliser aucune laine d'acier ou d'acier inoxydable ou tout autre grattoir pour enlever la saleté tenace.
- N'utiliser aucune poudre nettoyante abrasive ou rugueuse.
- Ne pas laisser la saleté s'accumuler.
- Ne pas laisser la poussière de plâtre ou tout autre résidu de construction / rénovation atteindre la hotte. Couvrir la hotte pour la durée des travaux pour s'assurer qu'aucune poussière ne colle à la surface de l'acier.

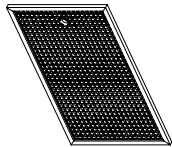
À éviter lors du choix d'un détergent :

- Tous produits nettoyant qui contiennent des **agents de blanchiment** ; ils attaqueront l'acier inoxydable.
- Tous produits contenant du **chlorure, fluorure, iode ou bromure** ; ils détérioreront rapidement les surfaces.
- Tous **produits combustibles** utilisés pour le nettoyage : **acétone, alcool, éther, benzol**, etc. : ils sont hautement explosifs et ne devraient jamais être utilisés près d'une cuisinière.

PIÈCES COMPRISES



Lisière de bois



Filtres
(3 par hotte de 30" et 36")
(4 par hotte de 48")



Sac de pièces
(Comprend 4 vis à tête plate #10-2",
8 vis #8-3/4", 4 écrous #10-32,
2 ancrages de gypse et
2 rondelles 3/16" DI x 3/4" DE)

PIÈCES NON COMPRISES



Ampoules halogènes
PAR 20 50W
(3 par hotte)



Lampes chauffantes
BR40, 250W Max.
(2 par hotte)

Ventilateur

(Voir "Système de hotte de cuisinière Jenn-Air JXT-B"
en page 18 pour les numéros de modèle.)

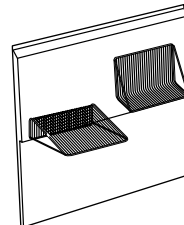
Accessoires pour conduits

(Voir "Système de hotte de cuisinière Jenn-Air JXT-B"
en page 18 pour les modèles.)

PIÈCES OPTIONNELLES

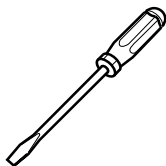


Couvre-conduits Pro Style
Description No. de modèle
30" Acier inox. JXA9030BDP
36" Acier inox. JXA9036BDP
48" Acier inox. JXA9048BDP



Dossieret Pro Style
Description No. de modèle
30" Acier inox. JXA9003BDP
36" Acier inox. JXA9002BDP
48" Acier inox. JXA9001BDP

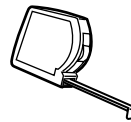
OUTILS NÉCESSAIRES



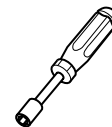
Tournevis
(Robertson ou Phillips)



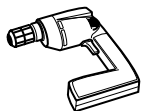
Crayon



Ruban à
mesurer



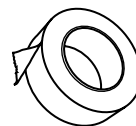
Tournevis à
douille 3/8"



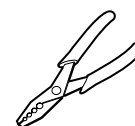
Perceuse



Scie
sauteuse -ou-
Scie
passe-partout



Ruban
pour
conduits



Pince à
dénuder

Garantie

Sécurité

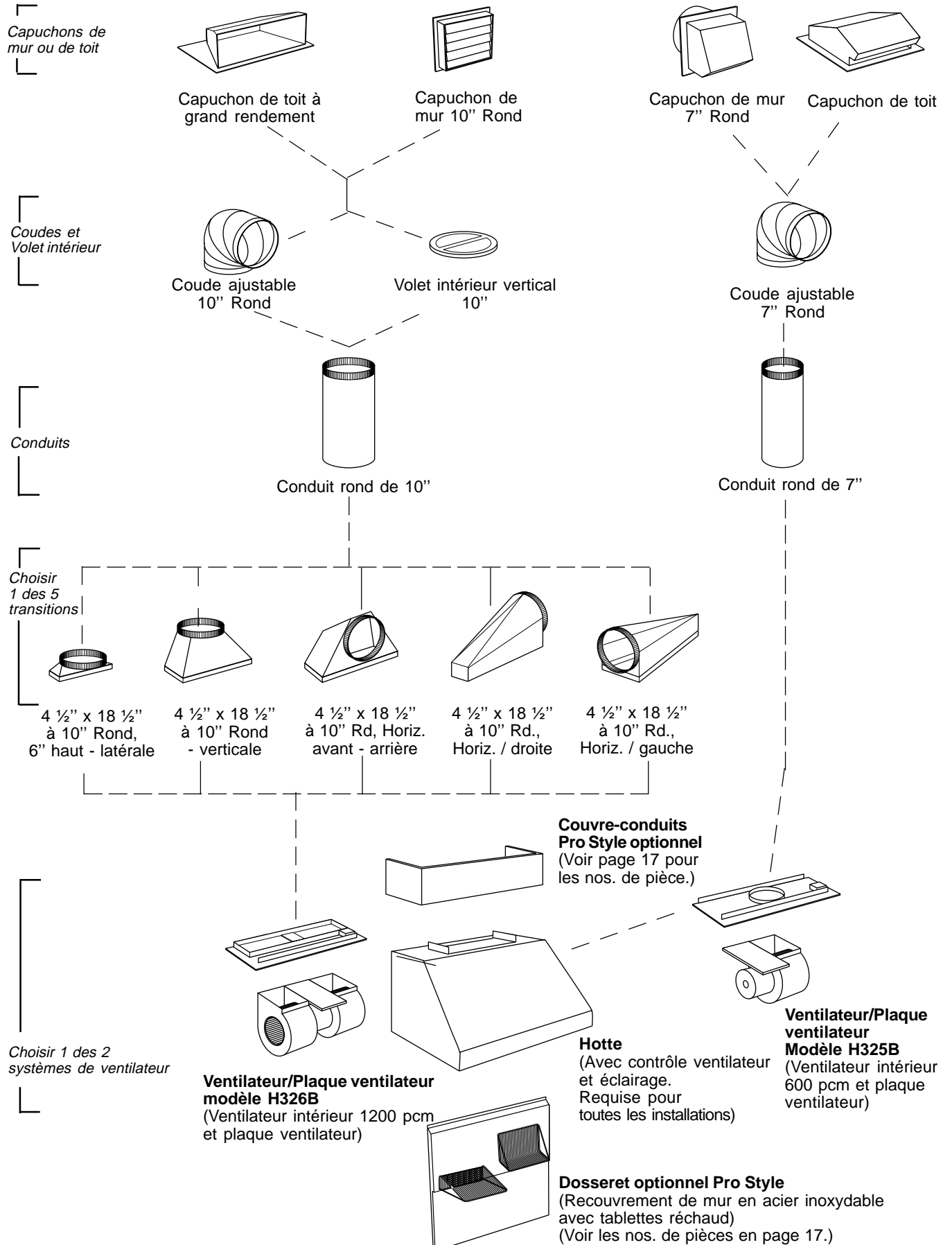
Fonctionnement

Entretien

Installation

Pièces

SYSTÈME DE HOTTE DE CUISINIÈRE JENN-AIR JXT-B



PRÉPARATION DE LA LOCALISATION DE LA HOTTE

1. La hotte Jenn-Air utilise uniquement les ventilateurs intérieurs de modèle H325B ou H326B. Aucun autre ventilateur ne doit être utilisé. (Ventilateurs vendus séparément.)

En plus des modèles de ventilateur listés plus haut, la hotte est aussi compatible avec les versions antérieures des ventilateurs intérieurs; soit les H325 et H326. Si ces ventilateurs sont utilisés, jeter les instructions d'installation incluses avec ces ventilateurs et contacter Jenn-Air pour recevoir les instructions de remplacement.

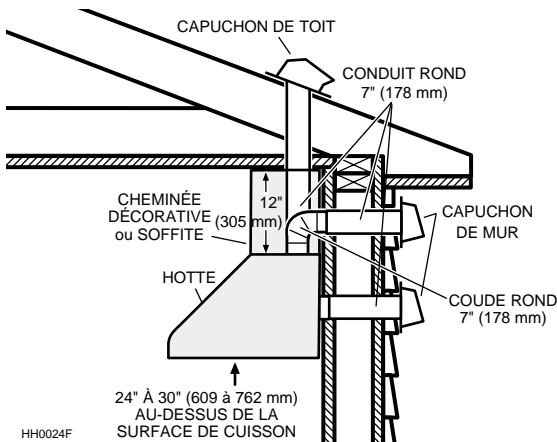
Déterminer à quel endroit et de quelle façon les conduits seront localisés.

Installer les conduits de dimension appropriée, transition(s), coude(s) et capuchon de toit ou de mur selon le modèle de ventilateur utilisé.

Pour des résultats optimum, n'utiliser qu'un minimum de transitions et de coudes.

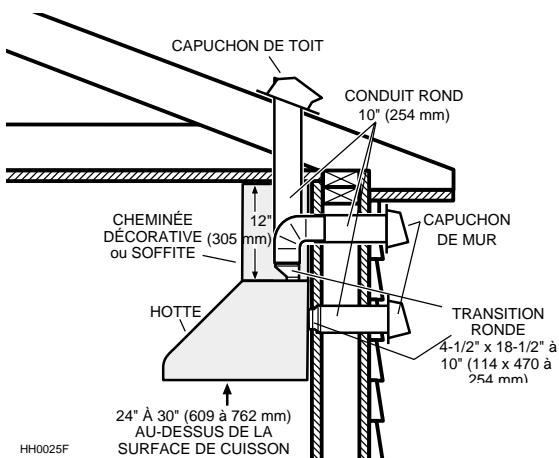
2. Les dimensions pour les installations les plus courantes sont indiquées plus bas.

Ajuster vos mesures selon les différentes hauteurs de plafond, soffite, armoires ou surfaces de cuisson. **Afin d'assurer un meilleur fonctionnement, la hotte doit être à un minimum de 24" (610 mm) et à un maximum de 30" (762 mm) au-dessus de la surface de cuisson.**



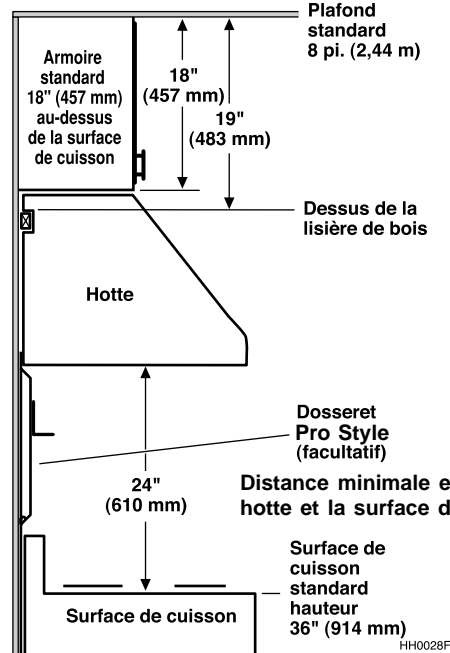
HH0024F

**CONDUITS STANDARDS
VENTILATEUR SIMPLE MODÈLE H325B**

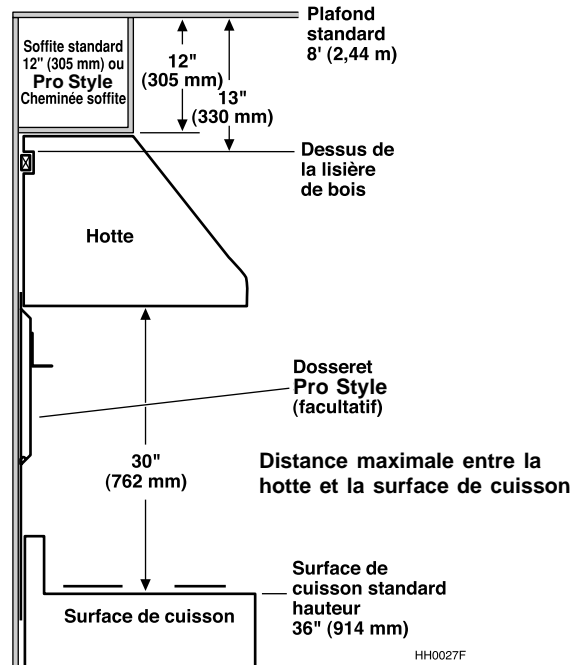


HH0025F

**CONDUITS STANDARDS
VENTILATEUR DOUBLE MODÈLE H326B**



**INSTALLATION SOUS DES ARMOIRES
STANDARDS DE 18\"/>**



INSTALLATION AVEC UN SOFFITE DE 12\"/>

Garantie

Sécurité

Fonctionnement

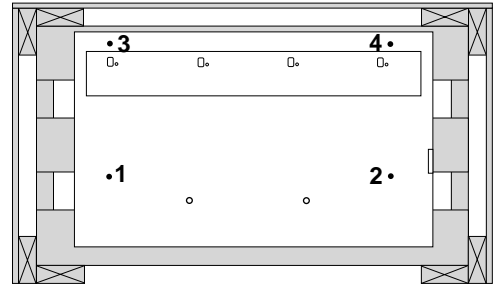
Entretien

Installation

Pièces

PRÉPARATION DE LA HOTTE

1. À l'aide d'un tournevis Phillips #2 ou d'un Robertson #2, retirer les vis retenant la hotte au fond de la caisse. Voir la figure ci-contre pour localiser les 4 vis. Jeter ces vis et retirer la hotte de la caisse.



HR0002

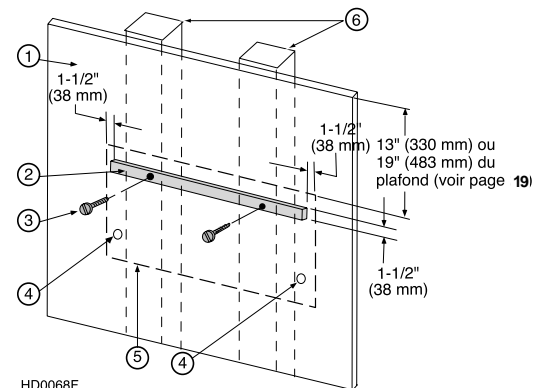
OPTION

Un dossieret Pro Style est disponible (voir en page 17 pour plus de détails). Ce dossieret doit être installé avant la hotte puisque celle-ci couvre les vis d'installation du dossieret. Pour l'installation du dossieret, s'assurer d'avoir au moins 18" (457 mm) entre le dessous de la hotte et le panneau de contrôle de la cuisinière ou de la surface de cuisson. (Voir les instructions fournies avec le dossieret.)

2. Mesurer puis tracer une ligne droite, au-dessus de la surface de cuisson, pour la localisation de la lisière de bois. (Voir l'illustration à droite et ainsi celles de l'étape 2 en page 19). À l'aide de **vis à tête plate #10-2"** (incluses dans le sac de pièces), fixer la **lisière de bois** au mur en vous assurant d'atteindre les montants.



ATTENTION : À cause du poids élevé de cette hotte, s'assurer que la lisière de bois est bien rattachée à tous les montants disponibles (un minimum de 2 montants doivent être en contact avec la lisière de bois pour une hotte de 30", plus pour une plus large). Ne pas visser la lisière de bois seulement au mur.



HD0068F

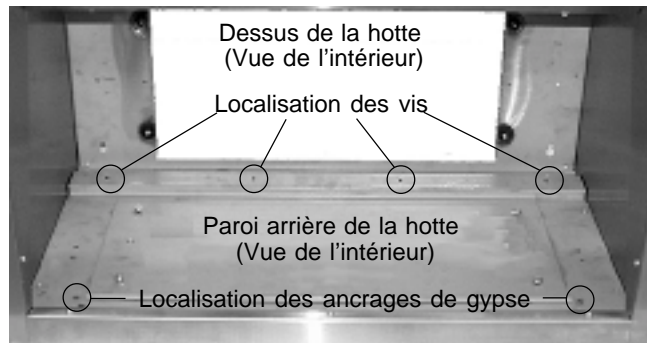
1. Mur
2. Lisière de bois
3. Vis à tête plate
4. Localisation des ancrages de gypse
5. Arrière de la hotte
6. Montants

INSTALLATION DE LA HOTTE

1. En appuyant la hotte au mur, insérer la lisière de bois dans la cavité arrière de la hotte.

ATTENTION : Retenir la hotte jusqu'à ce qu'elle soit complètement vissée à la lisière de bois.

Fixer la hotte à la lisière de bois à l'aide des (4) **vis #8 - 3/4"** incluses (pour une hotte de 30" ou 36" de largeur) ou (6) vis (pour une hotte de 48" de largeur), aux endroits indiqués. En se servant des trous existants dans la paroi arrière de la hotte, percer (2) trous de 3/16" pour les ancrages de gypse, aux endroits indiqués. Puis, insérer les (2) **ancrages de gypse** et fixer la hotte à ces ancrages avec les **vis #8 - 3/4"** restantes et les (2) **rondelles** fournies.



HD0064

2. Fixer la transition (si requise) à la plaque ventilateur. Voir en page 18 pour les modèles disponibles.
Sceller tous les joints avec du ruban à conduit.

NOTE

La plaque ventilateur du modèle H325B à un ventilateur se branche directement à un conduit rond de 7", sans transition.

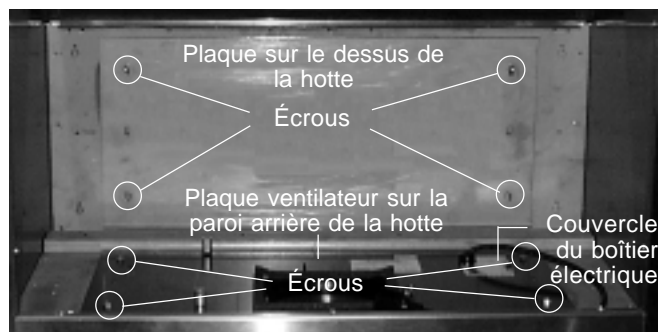


3. Amener le câble d'alimentation à la localisation de la hotte. Voir les instructions incluses avec le **ventilateur et sa plaque ventilateur**, pour les détails concernant l'installation de la plaque ventilateur (vendue séparément). Installer la plaque de façon à ce que son boîtier électrique soit à droite lorsque vous faites face à la hotte.

Si l'évacuation par l'arrière est choisie, retirer la plaque de la hotte et l'installer sur le dessus pour couvrir l'ouverture. Fixer à la hotte avec les mêmes (4) écrous dentelés.

Pour une évacuation par le dessus, la plaque de la hotte demeure en place sur la paroi arrière de la hotte.

Relier le conduit rond à la transition ou à la plaque ventilateur. Sceller tous les joints avec du ruban à conduit.



HD0063

Garantie

Sécurité

Fonctionnement

Entretien

Installation

Pièces

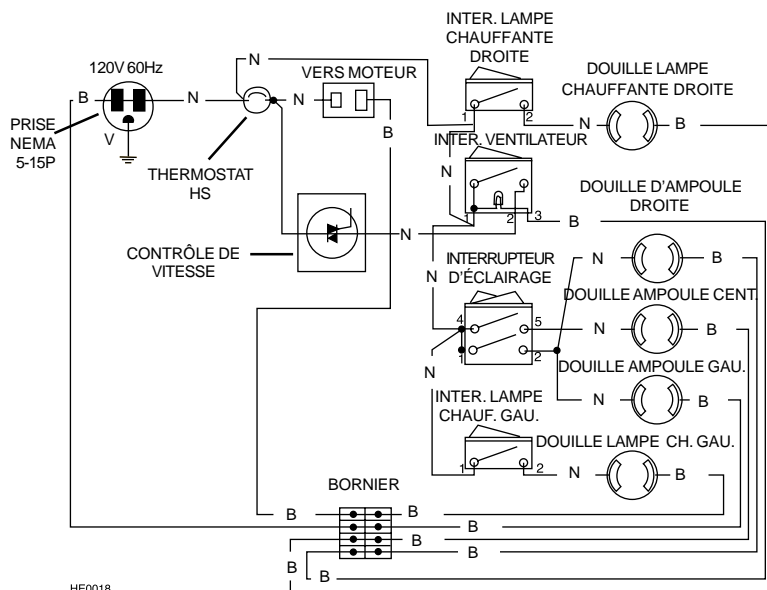
BRANCHEMENT ÉLECTRIQUE



AVERTISSEMENT : Risque de choc électrique. Le raccordement électrique doit être effectué par du personnel qualifié conformément aux codes et standards. Avant d'effectuer le branchement, couper l'alimentation électrique au panneau de service et le verrouiller pour éviter une mise en marche accidentelle.

1. Retirer le couvercle du boîtier électrique de la plaque ventilateur et mettre de côté.
2. Retirer l'ouverture pré-amorcée du boîtier électrique. En installant la plaque ventilateur, insérer une longueur de 6" de câble d'alimentation dans le boîtier électrique par son ouverture et brancher le câble en utilisant le connecteur approprié.
3. Effectuer le branchement électrique en reliant le fil NOIR au NOIR, le BLANC au BLANC et le fil VERT ou dénudé à la vis VERTE de mise à la terre. Réinstaller le couvercle du boîtier électrique.

SCHÉMA ÉLECTRIQUE



FINALISATION DE L'INSTALLATION

OPTION

Un couvre-conduits Pro Style est disponible - afin de cacher les conduits si la hotte n'est pas installée sous des armoires. Voir les instructions fournies avec le couvre-conduits optionnel.

Voir en page 17 pour les détails de commande.

1. Pour installer le ventilateur, voir les instructions fournies avec celui-ci. Une fois installé, brancher le ventilateur et le cordon de la boîte électrique aux prises, à l'intérieur de la hotte. NE PAS brancher ensemble les 2 cordons.

Voir en page 18 pour les détails concernant le ventilateur et la plaque ventilateur.

2. Installer (2) lampes chauffantes. Utiliser des ampoules infrarouges de format BR40, 250W Max. (non incluses). Installer (3) ampoules halogènes. Utiliser des ampoules de format PAR20 50W (non incluses).



HE0003

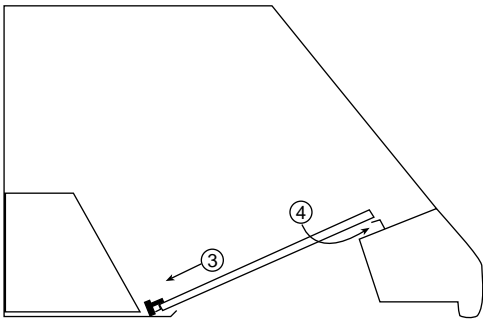
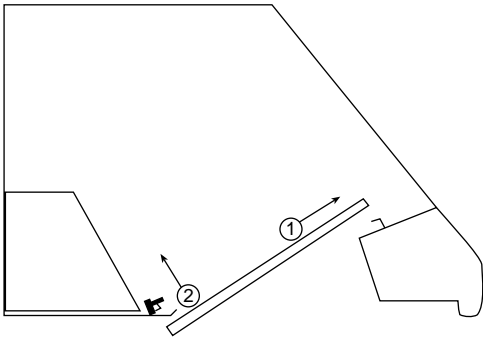
INSTALLATION DES FILTRES



ATTENTION : Retirer le film de plastique protecteur des filtres avant de les installer.

Il est recommandé d'installer d'abord les filtres situés aux extrémités et de terminer par celui (ou ceux) du centre.

- 1) Insérer la partie supérieure du filtre dans la hotte (côté de la languette).
- 2) Faire pivoter la partie inférieure vers l'intérieur de la hotte.
- 3) Placer le filtre sous l'attache située au fond de la hotte.
- 4) En utilisant la languette, glisser le filtre sous la pièce de retenue intérieure.



HD0024



HD0075

**Des filtres de remplacement sont disponibles.
Voir en dernière page pour les détails de commande.**

Garantie

Sécurité

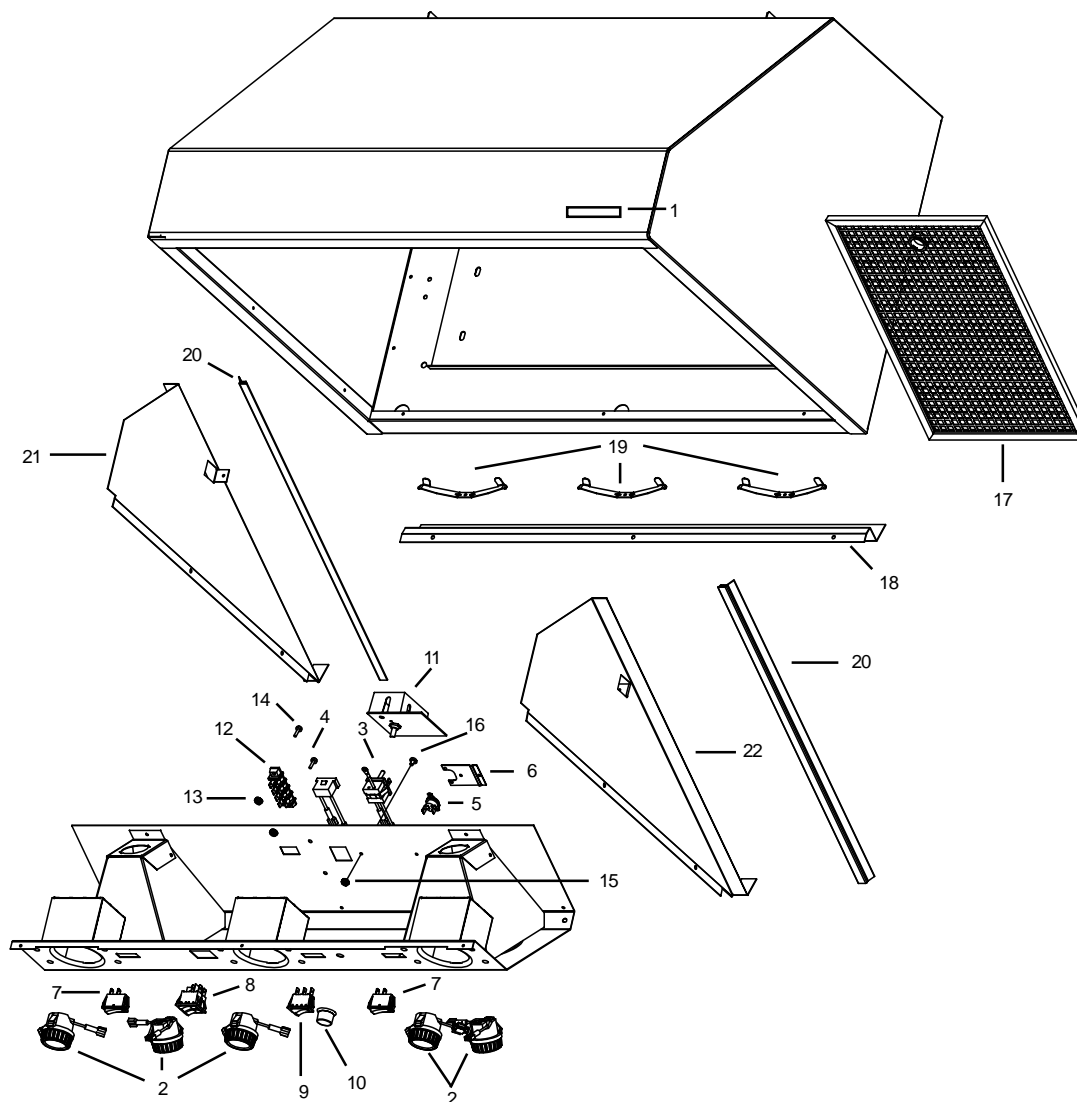
Fonctionnement

Entretien

Installation

Pièces

PIÈCES DE REMPLACEMENT



HL0031

NO. RÉF.	PIÈCE NO.	DESCRIPTION
1	V05617	Logo Jenn-Air
2	V02264	Douille de porcelaine
3	V02773	Connecteur mâle pour moteur
4	V02772	Connecteur femelle pour moteur
5	V03435	Thermostat
6	V03436	Support pour thermostat
7	V02563	Interrupteur simple UPST pour lampe chauffante
8	V03502	Interrupteur double UPST pour lampe halogène
9	V03503	Interrupteur simple illuminé UPST pour ventilateur
10	V03504	Bouton contrôle de vitesse
11	V03501	Contrôle de vitesse
12	V03505	Plaque à bornes
**	V03517	Cordon d'alimentation
**	V03519	Fil de contrôle
**	V03520	Fil de l'interrupteur illuminé
13	V00673	Écrou dentelé 8-32
14	V02512	Vis mécanique 8-32 x 1/2
15	V01869	Vis mécanique 6-32 x 1/4

NO. RÉF.	PIÈCE NO.	DESCRIPTION
16	V01582	Écrou 6-32
17	V05730	Filter pour hotte de 30"
		9.5 x 15.25 x 0.355 (3 requis)
	V05731	Filter pour hotte 36"
		11.61 x 15.25 x 0.355 (3 requis)
	V05731	Filter pour hotte 48"
		11.61 x 15.25 x 0.355 (4 requis)
18	V14763	Gouttière 30"
	V14764	Gouttière 36"
	V14766	Gouttière 48"
19	V05528	Ressort de filtre 5.265" x 0.350"
20	V05521	Extrusion d'étanchéité 20.625"
21	V14744	Paroi intérieure gauche
22	V14745	Paroi intérieure droite
**	V05729	Guide d'installation Jenn-Air
**	V12971	Sac d'installation (vis à tête plate #10x2" (4), vis #8 x 3/4" (8), écrous #10-32 (4), Ancrages de gypse (2), rondelles 3/16" DI x 3/4" DE (2))
**	V02544	Ampoule halogène PAR20 50W
*		Ampoule chauffante BR40, 250W max.

Commander les pièces par le No. DE PIÈCE - pas le No. RÉF.

* Pièce standard - s'approvisionner localement.

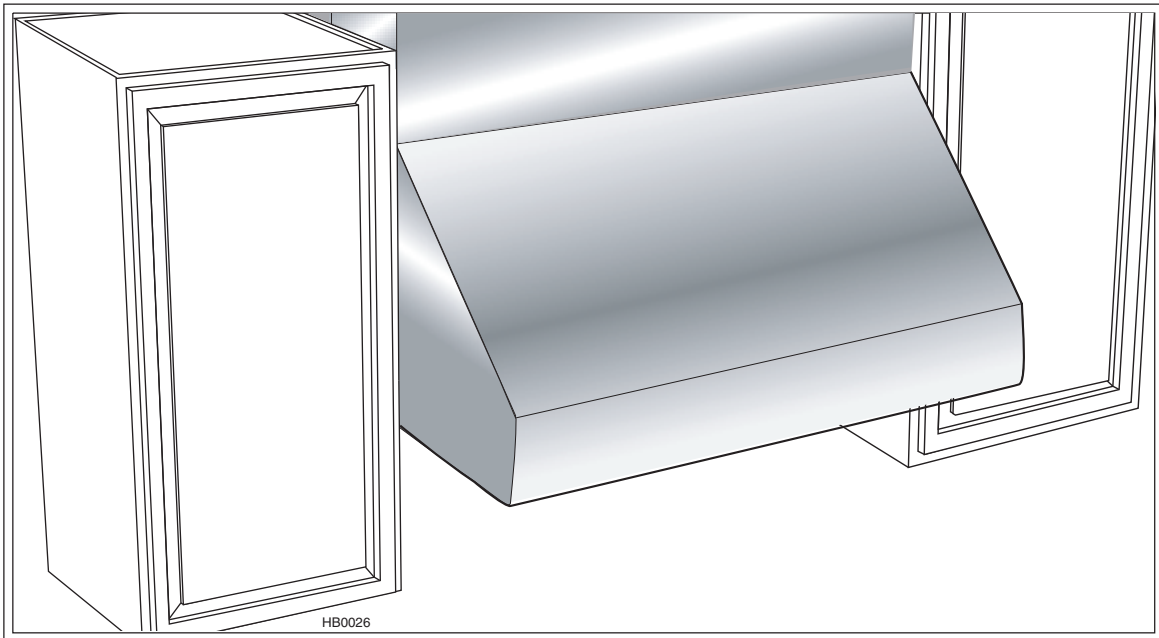
** Non illustré.



Campana de cocina Serie JXT-B

Manual de uso y cuidado / instalación

Modelos JXT9030BDP (*Largo : 30" - Acero inoxidable*)
JXT9036BDP (*Largo : 36" - Acero inoxidable*)
JXT9048BDP (*Largo : 48" - Acero inoxidable*)



⚠ CONCEBIDO SÓLO PARA USO DOMÉSTICO ⚠

LEA Y CONSERVE ESTAS INSTRUCCIONES

TABLA DE CONTENIDO

SECCIÓN	PÁGINA	SECCIÓN	PÁGINA
Garantía	26	Sistema de la campana Jenn-Air	30
Instrucciones de seguridad	27	Prepare la localización para la campana	31
Operación	28	Prepare la campana	32
Limpieza	28	Instale la campana	33
Piezas incluidas	29	Conecte el cableado	34
Piezas no incluidas	29	Esquema eléctrico	34
Piezas opcionales	29	Terminar la instalación	34
Herramientas necesarias	29	Instale los filtros	35
		Piezas de servicio	36

GARANTÍA

GARANTÍA DE JENN-AIR

Felicitaciones por la compra de un electrodoméstico Jenn-Air. Deseamos expresarle nuestra confianza en el producto notificándole nuestra garantía. Todos los electrodomésticos Jenn-Air tienen como mínimo una garantía completa durante el primer año en el caso de las piezas y la mano de obra, más una garantía limitada durante el segundo año sólo en el caso de las piezas. Las garantías comienzan en la fecha de la compra. La siguiente tabla contiene detalles específicos por categoría de productos. A lo largo de la parte superior se listan los años posteriores a la fecha de la compra original.

PRODUCTO		AÑOS				
		1	2	3	4	5
Superficie para cocinar, estufa, horno de pared <i>(gas o eléctrico)</i>	Piezas	Todas	Todas	Superficie de cerámica y vidrio, debido a rompimiento térmico. Radiante de halógeno y sólido falla del elemento.		
	Mano de obra	Sí	Componentes del panel de control electrónico			
Accesorios	Piezas	Todas	Todas	Superficie de cerámica y vidrio, debido a rompimiento térmico. Falla del elemento radiante, de halógeno y sólido.		
	Mano de obra	Sí				
Combinación microondas de pared o horno microondas	Piezas	Todas	Todas	Limitada al magnetrón, conjunto de la almohadilla sensible al tacto, microprocesador, transformador de potencia y del microprocesador, condensador, rectificador, conjunto de triac		
	Mano de obra	Sí	Componentes del panel de control electrónico	Limitada al magnetrón, conjunto de la almohadilla sensible al tacto, microprocesador, transformador de potencia y del microprocesador, condensador, rectificador, conjunto de triac		

RESPONSABILIDADES DEL PROPIETARIO

El cliente tiene ciertas responsabilidades que debe cumplir para tener derecho a la cobertura de estas garantías. Respecto a todos los productos, el dueño es responsable de proporcionar cuidado y mantenimiento normales de acuerdo con las instrucciones de uso y cuidado, proporcionar el comprobante de la compra cuando se le solicite, instalar el electrodoméstico adecuadamente y de manera que quede accesible para darle servicio. Las garantías cubren fallos durante el uso doméstico normal.

SERVICIO BAJO LA GARANTÍA

Bajo la garantía completa, el servicio debe realizarlo un contratista de servicio autorizado por Jenn-Air. Para obtener servicio, comuníquese con la concesionaria donde compró la unidad, con un contratista de servicio autorizado, o comuníquese con Jenn-Air Customer Assistance, c/o Maytag Customer Service, P.O. Box 2370, Cleveland, TN 37320-2370, 1-800-688-1100. Por favor incluya en toda la correspondencia el número de modelo, el número de serie y la fecha de la compra minorista original. El servicio se proporcionará durante las horas hábiles normales. Todas las piezas de repuesto asumen la porción no usada de esta garantía.

La garantía limitada de las piezas sólo cubre el costo de las piezas. Los cargos de viaje, transportación y mano de obra son responsabilidad del propietario. Esta garantía le da derechos legales específicos, y usted puede tener otros derechos que varían entre estados.

RESIDENTES DE CANADÁ

Esta garantía cubre sólo aquellos electrodomésticos instalados en Canadá que se han listado en la Asociación de Normas Canadienses de la Asociación Canadiense de Gas (Canadian Standards Association of Canadian Gas Association) a menos que los electrodomésticos se hayan llevado a Canadá debido a una transferencia de residencia, de Estados Unidos a Canadá.

PARA GARDAR EN SUS ARCHIVOS

Anote la siguiente información y conserve esta hoja completa para consultarla en el futuro.



Número de modelo

Número de serie

Fecha de la compra

JENN-AIR COMPANY
ONE DEPENDABILITY SQ.
NEWTON, IOWA 50208-0039

INSTRUCCIONES DE SEGURIDAD

ADVERTENCIA

PARA REDUCIR EL RIESGO DE INCENDIO, CHOQUE ELECTRICO, O LESION A PERSONAS, PROCURE LO SIGUIENTE:

1. Utilice esta unidad sólo en la manera prescrita por el fabricante. Si tiene usted alguna pregunta, comuníquese con el fabricante a la dirección indicados en la garantía.
2. Antes de efectuar algún servicio o limpieza, se debe desconectar la corriente eléctrica en el armario de circuitos y asegurarlo con llave para evitar que la corriente sea conectada accidentalmente. Cuando el dispositivo para desconectar el servicio eléctrico no puede ser cerrado con algún tipo de traba, sujete fuertemente al panel de servicio, una etiqueta de advertencia prominente.
3. Todo trabajo de instalación y cableado eléctrico debe ser realizado por personal calificado y de acuerdo con todos los códigos y normas pertinentes, incluyendo los códigos y normas relacionados con construcción clasificada para incendio.
4. Aire suficiente es necesario para facilitar la combustión adecuada y la salida apropiada de gases por la chimenea de la unidad y para evitar corrientes de aire invertidas. Siga las instrucciones y medidas de seguridad del fabricante del equipo y los publicados por la Asociación nacional de protección contra incendios (NFPA por sus siglas in Inglés), y la Sociedad americana de ingenieros de calefacción, refrigeración y aire acondicionado (ASHRAE por sus siglas in Inglés), y los reglamentos de seguridad locales.
5. A cortar o perforar la pared o el techo, no dañe el cableado eléctrico ni otros servicios públicos ocultos a la vista.
6. No utilice este ventilador con ningún dispositivo de una control de velocidad de estado sólido adicional.
7. Los abanicos con ducto deberán siempre tener una salida hacia el exterior.
8. Para reducir el riesgo de incendio, use sólo ductos de metal.
9. Esta unidad se debe instalar con tierra efectiva.

PARA REDUCIR EL RIESGO DE INCENDIO DE GRASA EN LA SUPERFICIE DE LA ESTUFA:

1. No deje nunca los aparatos de cocer sin vigilancia a fuego vivo. Los desbordamientos producen humo y derrames grasientos que pueden inflamarse. Caliente el aceite despacio, a fuego lento o mediano.
2. Ponga en marcha siempre la campana al cocinar a temperaturas elevadas o al cocinar alimentos flameados.
3. Limpie con frecuencia los ventiladores. No debe permitir que la grasa se acumule en el ventilador ni en el filtro.
4. Utilice un sartén de tamaño adecuado. Siempre utilice el utensilio adecuado al tamaño del elemento de superficie.

ADVERTENCIA

PARA EVITAR RIESGO DE LESIONES PERSONALES EN CASO DE INCENDIO DE GRASA EN LA SUPERFICIE DE LA ESTUFA, OBSERVE LO SIGUIENTE:*

1. Cubra y sofoque las llamas con una tapa ajustada, azafate de hornear galletas, o azafate de metal, y luego apague el calentador. Tenga cuidado para evitar quemaduras. Si las llamas no se apagan inmediatamente, HAY QUE EVACUAR Y LLAMAR LOS BOMBEROS.
2. NUNCA ALCE UNA SARTÉN QUE TENGALLAMAS - Usted se puede quemarse.
3. NO UTILICE AGUA, incluyendo trapos, lavaplatos mojados o toallas - puede que ocurran explosiones de vapor violentas.
4. Utilice un extinguidor SOLAMENTE si:
 - A. Usted sabe que tiene un extinguidor de clas ABC y lo sabe utilizar.
 - B. El incendio es pequeño y contenido dentro del área donde se inició.
 - C. Los bomberos han sido avisados.
 - D. Usted puede combatir el incendio con una salida a su espalda.

* Basado en las recomendaciones para "Seguridad en la Cocina" publicadas por la NFPA de los EEUU.

PRECAUCIÓN

1. Sólo para uso de ventilación general. No se use para extra materiales o vapores peligrosos o explosivos.
2. Para evitar daños al cojinete del motor y/o impulsores ruidosos o desequilibrados, mantenga la fuente de potencia lejos de rocíos de pared seca, de polvo de construcción, etc.
3. El motor de la campana tiene un dispositivo contra sobrecargas térmicas que apaga el motor en forma automática si éste se sobrecalienta. El motor volverá arrancar cuando se enfríe. Si el motor sigue apagándose, haga verificar la campana.
4. Para lograr una mejor captura de las impurezas producidas al cocinar, la parte inferior de la campana deberá estar a un mínimo de 24" y un máximo de 30" sobre el nivel la superficie para cocinar.
5. A fin de reducir los riesgos de incendio y para bien evacuar el aire de salida, asegúrese de evacuar el aire al exterior - No evacue el aire en espacios limitados como el interior de la paredes o deltecho e en el desván, falso techo o garaje.
6. Este producto está equipado de un termostato que puede hacer partir el ventilador automáticamente. Para evitar los riesgo de daño, apague la corriente de panel eléctrico y cierre con candado o afiche una advertancia en el panel para prevenir que la campana funcione automáticamente.
7. La campana Jenn-Air debe ser instalada con ventiladores modelos H325B o H326B solamente. Otros ventiladores no debe ser utilizado. (Ventiladores vendidos separadamente.)
8. Utilice sólo con un conjunto autorizado de conexión con cordón.
9. Por favor, lea la etiqueta de especificaciones en el producto para mayor información y requisito.

Garantía

Seguridad

Operación

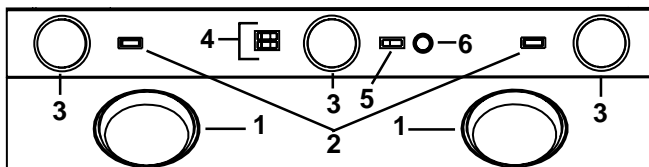
Limpieza

Instalación

Piezas de servicio

OPERACIÓN

Siempre hacer funcionar la campana antes de comenzar a cocinar a fin de establecer una circulación de aire en la cocina. Deje igualmente funcionar la campana algunos minutos después de que pare de cocinar a fin de limpiar el aire. Esto ayuda a conservar la cocina mas limpia y un aire puro.



HC0004K

1. Lámparas termogénas
2. Interruptores de lámparas termogénas
3. Luces halógenas
4. Interruptor de luces halógenas
5. Interruptor de encender/apagar del ventilador
6. Control de velocidad del ventilador

Lámparas termogénas: Cada lámpara es controlada independientemente con su propio interruptor. Utilice las bombillas infrarrojas (BR40, 250W max.)



ADVERTENCIA: No dejar materias inflamables en los estantes que calientan.

Luces halógenas: Los dos interruptores de encender/apagar controlan las luces halógenas.

El interruptore a báscula antes, controla la luz del centro. El interruptor detrás controla las luces de cada lado. Encienda una, dos o tres luces según su necesidad.

Utilice las bombillas de halógenas PAR 20, 50W (comprar separadamente; refiérese a la página 29 para información sobre pedido).

Ventilador: El ventilador funciona con la ayuda de dos controles.

Utilice el interruptor endender/apagar tiene una luz roja para encender y apagar el ventilador. Cuando está en tensión, el ventilador funciona a la velocidad utilizada la última vez.

Utilice el control de velocidad del ventilador girando en el sentido de las agujas del reloj para disminuir la velocidad y en el sentido contrario de las agujas del reloj para aumentar la velocidad.

HEAT SENTRY™

Su campana esta equipada con HEAT SENTRY™. Este termostato tiene un mecanismo que se encenderá o acelerará el ventilador si se detecta un calor excesivo encima de la cocina.

- 1) Si el ventilador esta apagado - el se penderá a una velocidad máxima.
- 2) Si el ventilador esta encendiéndose a una velocidad mínima - el se penderá a una velocidad máxima.

Cuando la temperatura disminuye a un nivel normal, el ventilador vuelve a la función de origen.



ADVERTENCIA: El HEAT SENTRY™ termostato puede comenzar a funcionar al igual si la campana esta parada. Cuando este situación ocurre, es imposible parar el ventilador con los interruptores. Si usted para la campana, halago a partir del pánel eléctrico principal.

LIMPIEZA

Filtros para grasa

Limpie frecuentemente los filtros con agua caliente y un detergente suave. Los filtros se pueden lavar en lavaplatos.

Limpie más seguido si su comida crea mucho grasa - como fritura o preparar la comida con wok.

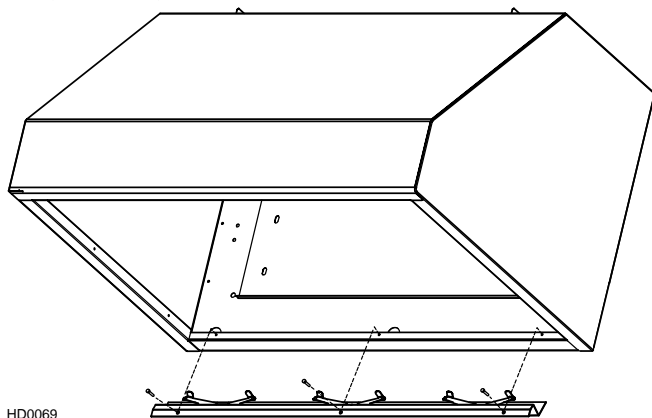
Empuje los filtros hacia el interior de la campana y leberelos del canal para que en seguida los retire de la campana.

Limpieza del ventilador

Quitar los filtros para grasa a fin de que tener acceso al ventilador. Pasar la aspiradora en el ventilador por limpiar. No permita la entrada de agua en el ventilador. Para más información, refiérese a el manual del ventilador.

Canal

Limpie frecuentemente el canal. Quite los filtros, después de junta el canal de la campana en quita los 3 tornillos. Ver dibujo de abajo.



Vea *Acero inoxidable* en la parte Limpieza de la campana abajo. Una vez que el canal este limpio y seco, instale en la campana y instale los filtros.

Limpieza de la campana

Acero inoxidable: Como mantener una "aparencia brillante"

Lo que debe hacer:

- Lavar regulamente la superficie con un trapo o un paño empapado de agua tibia y de jabón suave o detergente a vajilla.
- Siempre limpie en el sentido de las líneas originales de pulimento.
- Siempre enjuague bien con agua limpia (2 a 3 veces) después de haber limpiado seque completamente la superficie.
- Usted puede utilizar un limpiador doméstico hecho especialmente para el acero inoxidable.

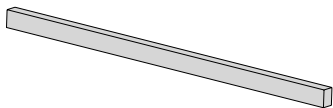
Lo que no debe hacer:

- No utilice ninguna lana de acero o de acero inoxidable o todo otro raspador para quitar la suciedad tenaz.
- No utilice ningún limpiador en polvo abrasivo o riguroso.
- No deje la suciedad acumularse.
- No deje el polvo de yeso o todo otro residuo de construcción que caiga en la campana, cúbrala durante el trabajo para asegurarse que en ningún caso el polvo se pegue a la superficie del acero.

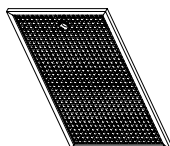
A evitar cuando elige un detergente:

- Todos los productos de limpieza que contienen **agentes de blanqueo**; van a deteriorar el acero inoxidable.
- Todos los productos que contienen **cloruro, fluoruro, yoduro o bromuro**; estos deteriorans rápidamente las superficies.
- Todos los productos combustibles utilizados para la limpieza: **acetona, alcohol, éter, benzol**, etc...; son extremadamente explosivos y no deben ser utilizados cerca de una cocina.

PIEZAS INCLUIDAS



Tira de madera



Filtros para grasa
(3 para campana de 30" y 36")
(4 para campana de 48")



Bolsa de piezas
(incluye 4 tornillos #10-2",
8 tornillos #8-3/4", 4 tuercas #10-32,
2 anclas de la pared y
2 arandelas 3/16" ID x 3/4" OD)

PIEZAS NO INCLUIDAS



Bombillas
PAR 20 50W
(3 para campana)



Lámpara termogéna
BR40, 250W Max.
(2 para campana)

Ventilador

(Vea "Sistema de campana Jenn-Air JXT-B" en la página 30 para ver los números de modelo del ventilador.)

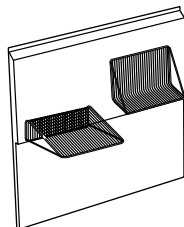
Accesorios de conducto

(Vea "Sistema de campana Jenn-Air JXT-B" en la página 30 para ver los modelos de accesorio de conducto.)

PIEZAS OPCIONAL

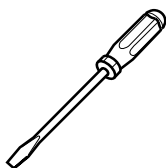


Chimenea de intrádos Pro Style
Descripción Números de modelo
30" Acier inox. JXA9030BDP
36" Acier inox. JXA9036BDP
48" Acier inox. JXA9048BDP



Placa salpicadura Pro Style
Descripción Números de modelo
30" Acier inox. JXA9003BDP
36" Acier inox. JXA9002BDP
48" Acier inox. JXA9001BDP

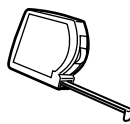
HERRAMIENTAS NECESARIAS



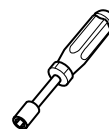
Detornillador
(Robertson o Phillips)



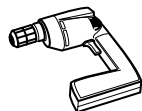
Lápiz



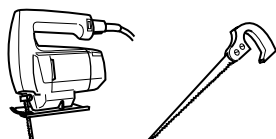
Cinta métrica



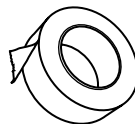
Herramienta
para apretar
tuercas de 3/8"



Perforadora



Sierra de vaivén - o - Segueta



Cinta adhesiva a conducto



Herramienta
para quitar
la funda

Garantía

Seguridad

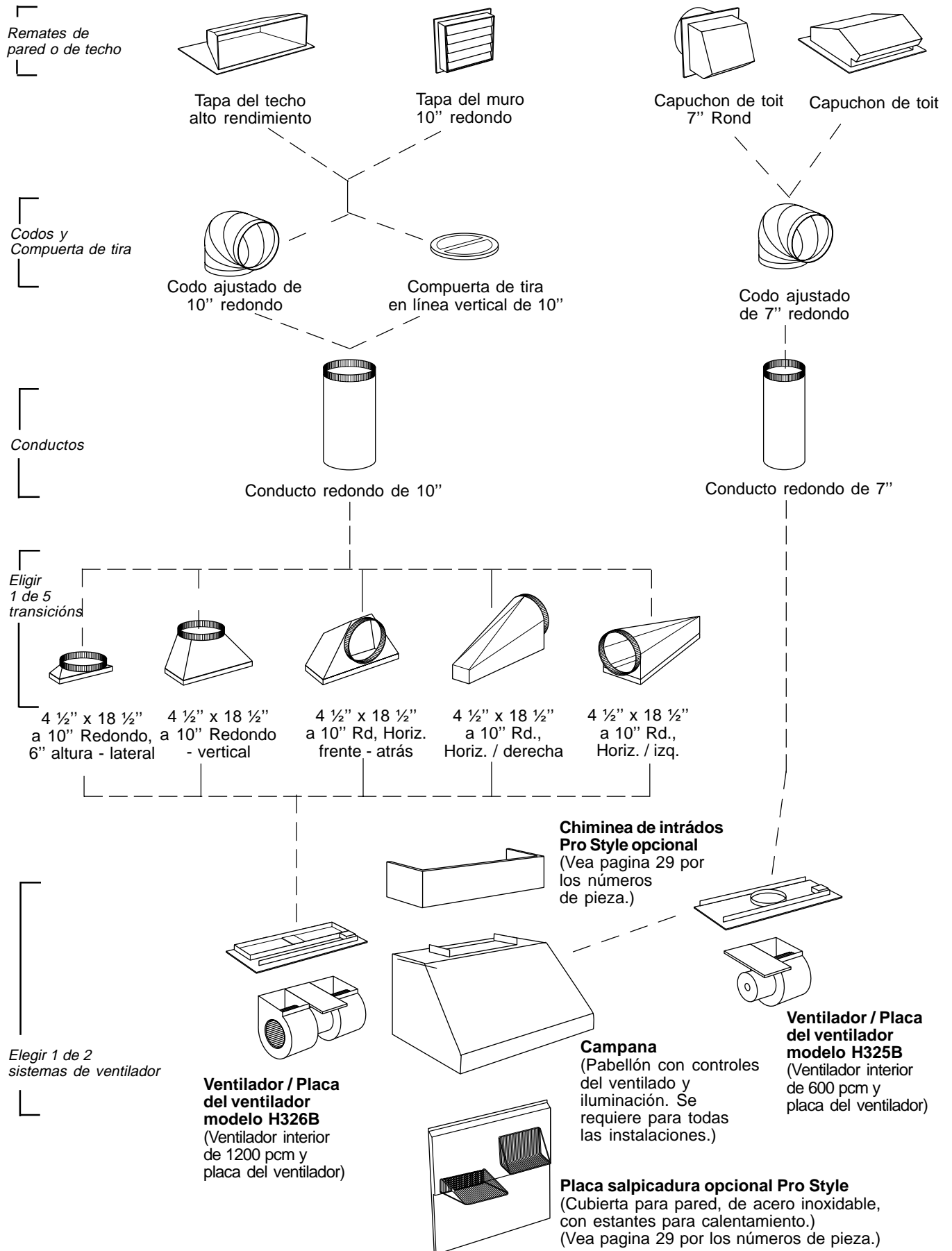
Operación

Limpieza

Instalación

Piezas de servicio

SISTEMA DE LA CAMPANA JENN-AIR JXT-B



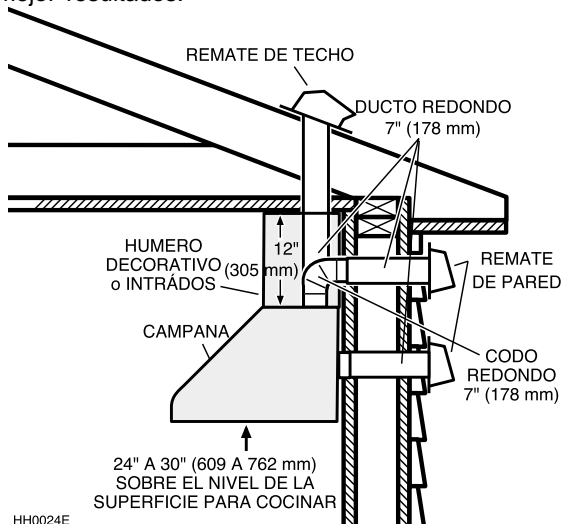
PREPARE LA LOCALIZACIÓN PARA LA CAMPANA

1. La campana Jenn-Air debe ser instalada con ventiladores modelos H325B o H326B solamente. Otros ventiladores no debe ser utilizado. (Ventiladores vendidos separadamente.)

En más del modelos de ventilador menciona ya, la campana es también compatible con los modelos anterior del ventiladores interno: los modelos H325 y H326. Si este ventiladores son utilizado, desechar los instrucciones de instalación incluyda con este ventiladores y ponerse en contacto con Jenn-Air por recibir los instrucciones de reemplazo.

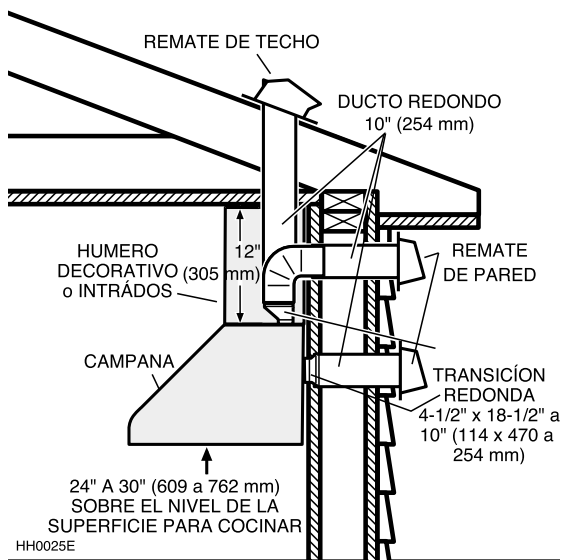
Planifique dónde y como se van a colocar los conductos. Instale ductos, transiciones, codos y remate de pared o de techo de tamaño adecuado para el tipo de ventilador que esté usando.

Utilizar un mínimo de transición y codos por obtener el mejor resultados.



HH0024E

CONDUCTOS TÍPICOS DE MODELO H325B CON 1 VENTILADOR

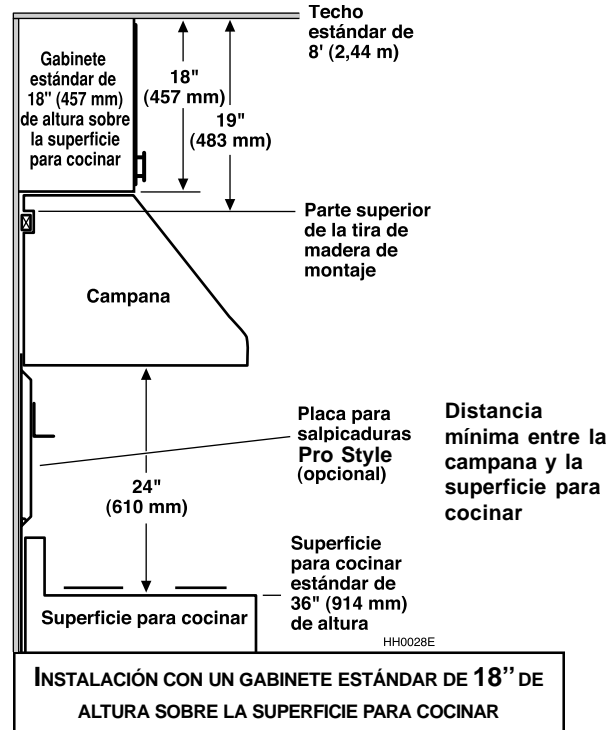


HH0025E

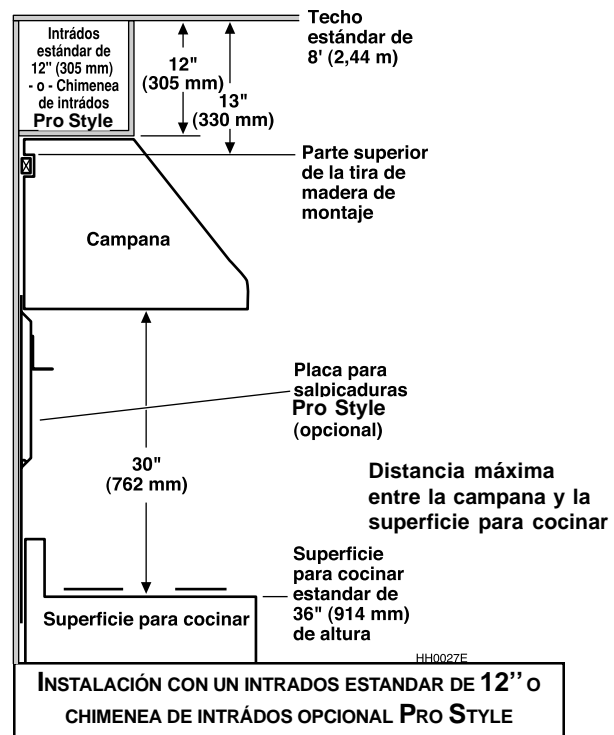
CONDUCTOS TÍPICOS DEL MODELO H326B CON 2 VENTILADORES

2. A continuación se muestran las dimensiones para las instalaciones más comunes.

Ajuste sus medidas para las diversas alturas de techos, intradós, gabinetes o superficies para cocinar. **Para lograr un funcionamiento adecuado, la parte inferior de la campana deberá estar entre 24" y un máximo de 30" sobre el nivel de la superficie para cocinar.**



INSTALACIÓN CON UN GABINETE ESTÁNDAR DE 18" DE ALTURA SOBRE LA SUPERFICIE PARA COCINAR



INSTALACIÓN CON UN INTRADOS ESTANDAR DE 12" O CHIMENEA DE INTRADOS OPCIONAL PRO STYLE

Garantía

Seguridad

Operación

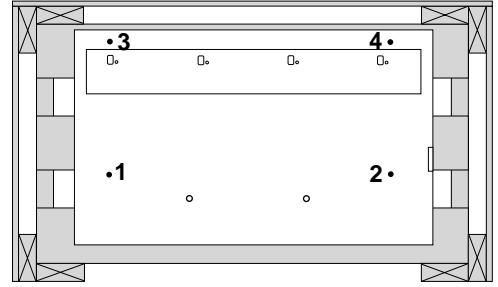
Limpieza

Instalación

Piezas de servicio

PREPARE LA CAMPANA

1. Usando un destornillador Phillips #2 o un Robertson #2, destornille la campana del fondo de la canasta. Refiérase a la figurar para localizar los 4 tornillos. Tire los tornillos y quite la campana de la paleta de madera.



HR0002

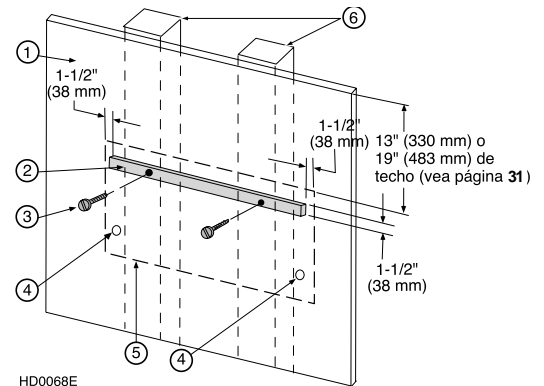
OPCIÓN

Una placa para salpicaduras Pro Style es disponible (refiérase en página 29 para más información). Este placa para salpicaduras se debe instalar antes que la campana debico a que este cubre los tornillos de montaje de la placa para salpicaduras. Para instalar este placa, asegúrese de tener 18" (457 mm) entre debajo de la campana y el panel de control de la cocina o encima de la cocina. (Vea las instrucciones incluidas con la placa para salpicaduras.)

2. En la pared, mida y marque una línea de nivel para la tira de montaje de madera (vea las dimensiones en las ilustraciones al lado y del paso 2 en página 31). Usando **los tornillos con plana cabeza #10-2"** (incluye en bolsa de piezas), asegure la **tira de montaje** a la pared de manera de alcanzar los travesaños de la pared.



PRECAUCIÓN: Debido al peso de esta campana, asegúrese de que la tira de madera esté montada directamente a todos los travesaños de la pared disponible (el entramado de la pared), (un mínimo de 2 travesaños para una campana de 30", más por una más larga); no sólo a la pared sin refuerzo.



HD0068E

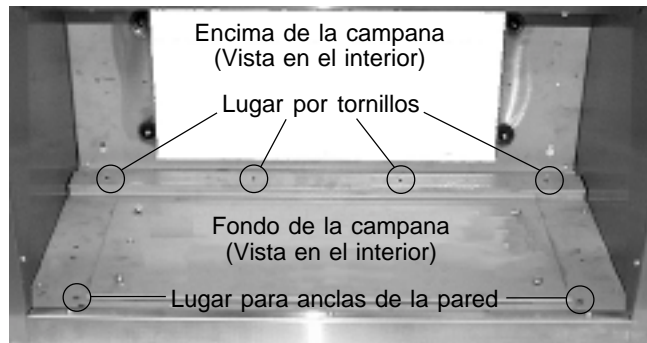
1. Pared
2. Tira de madera
3. Tornillos de cabeza plana
4. Localización de las anclas de la pared
5. Atrás de la pared
6. Travesaños

INSTALE LA CAMPANA

1. Para instalar la campana en su lugar, Use la tira de madera para apoyar la cavidad de la parte de atrás de la campana.

PRECAUCIÓN: Sostenga la campana hasta que este completamente enroscado a la tira de montura.

Segure la campana a la tira de la montura con los (4) **tornillos #8 - 3/4"** (para una campana de 30" o 36" larga) o (6) tornillos (para una campana de 48" larga) incluidos, en lugar indicado. Perfora (2) agujeros de 3/16" de largo en la pared para las **anclas de pared** en lugar indicado. Entonces, instale las (2) **anclas de la pared** y asegure la campana con los **tornillos #8 - 3/4"** y las (2) **arandellas**.



HD0064

2. Monte la transición (si requerida) en la placa del ventilador. Consulta la página 30 por los modelos disponibles.

Use cinta para ductos para que todas las juntas sean seguras y herméticas

NOTA

La placa del ventilador modelo H325B se conecta directamente al conducto redondo de 7", sin transición.



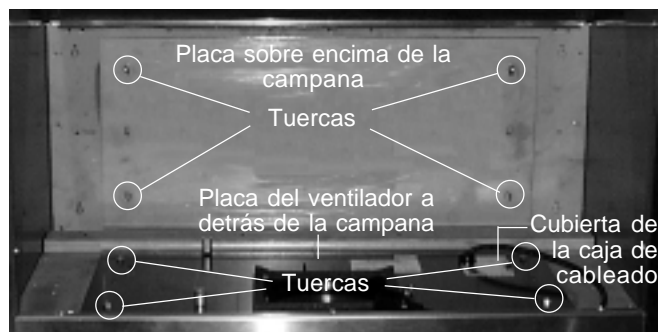
HD0049

3. Tienda el cable de energía al sitio de la instalación. Por detalles referente a la instalación de los ventilador/placa del ventilador vea las instrucciones incluida con ésta (vendida separadamente). Instale la placa de tal forma que la caja de cableado este fuera a la derecha, cuando ustedes hace frente a la campana.

Si usted seleccione escape por detrás, quite la placa de detrás de la campana y instale la placa sobre encima. Asegure la placa del ventilador al interior de la campana, usando los mismo (4) tuercas.

Si usted seleccione escape por encima, quite la placa de encima de la campana y instale la placa sobre detrás.

Conecte el ducto redondo a la transición o a la placa del ventilador. Use cinta para ductos para que todas las juntas sean seguras y herméticas.



HD0063

Garantía

Seguridad

Operación

Limpieza

Instalación

Piezas de servicio

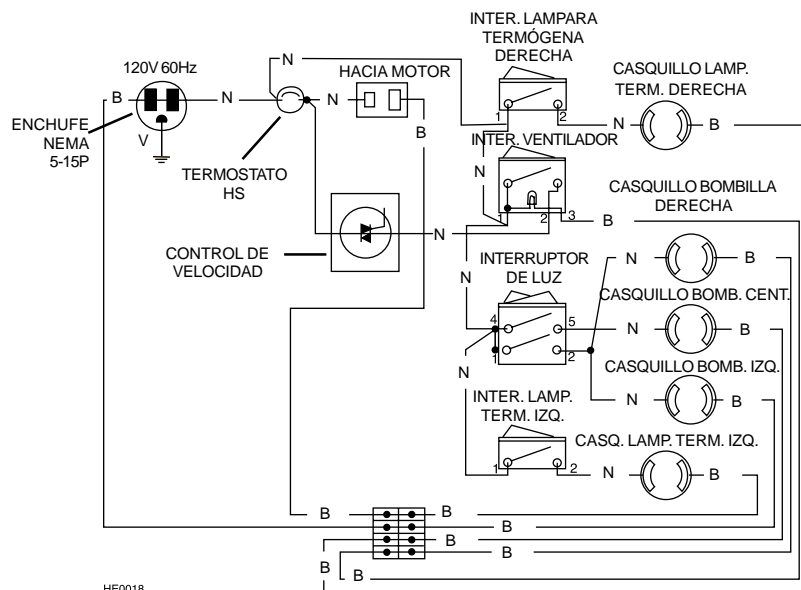
CONECTE EL CABLEADO



ADVERTENCIA: Peligro de choque eléctrico. La instalación eléctrica debe ser hecha por personal calificado de acuerdo con todos los códigos aplicables y normas. Antes de efectuar el empalme, cortar la alimentación eléctrica del interruptor y cerrar con seguridad para prevenir una alimentación accidental.

1. Retire la cubierta del cableado de la placa del ventilador y poner a un lado.
2. Abra el agujero ciego en la caja de cableado de la placa del ventilador. Mientras instale la placa del ventilador, tienda 6" del cable de energía y conecte el cable a la caja de cableado usando el conector adecuado.
3. Conecte el cable NEGRO al NEGRO, BLANCO al BLANCO y el VERDE o descubierto a el tornillo VERDE que toma de tierra. Vuelva a colocar la cubierta del cableado.

ESQUEMA ELÉCTRICO



HE0018

TERMINAR LA INSTALACIÓN

OPCIÓN

Una chimenea de intrados Pro Style es disponible - para ocultar conductos si la campana no es instalada debajo un gabinete. Vea la instrucciones incluidas con la chimenea de intrados opcional.

Refierse en página 29 para información sobre pedido.

1. Para instalar el ventilador, vea las instrucciones incluidas con el ventilador. Una vez que el ventilador este instale, conecte el ventilador y el cable de la caja eléctrica al enchufe al interior de la campana. **NO CONECTE** los dos cables juntos.

Refierse en página 30 para información sobre el ventilador / placa del ventilador

2. Instale (2) bombillas termógenas. Usar bombillas de tamaño BR40, 250W Max., infrarroja solamente (no incluido). Instale (3) bombillas halógenas. Usar bombillas de tamaño PAR20 50W (no incluido).



HE0003

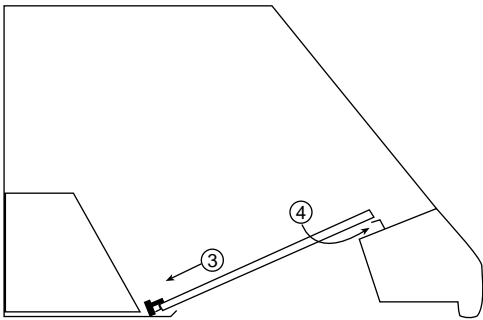
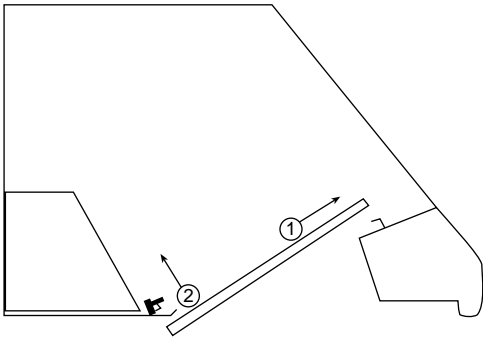
INSTALE LOS FILTROS



PRECAUCIÓN: Antes de la instalación, sacar las películas de plástico sobre los filtros.

Es recomendable de instalar los filtros de lado en primer y de terminar con el filtro del centro.

- 1) Insertar la parte superior del filtro en la campana (al lado de la palangana).
- 2) Acer girar la parte inferior hacia el interior de la campana.
- 3) Instale el filtro debajo el ataredo y tire.
- 4) Empleando la palangana, resbale el filtro debajo la pieza de retenido interior.



HD0024



HD0075

**Filtros de sustitución son disponibles.
Refierse a la última página para información sobre pedido.**

Garantía

Seguridad

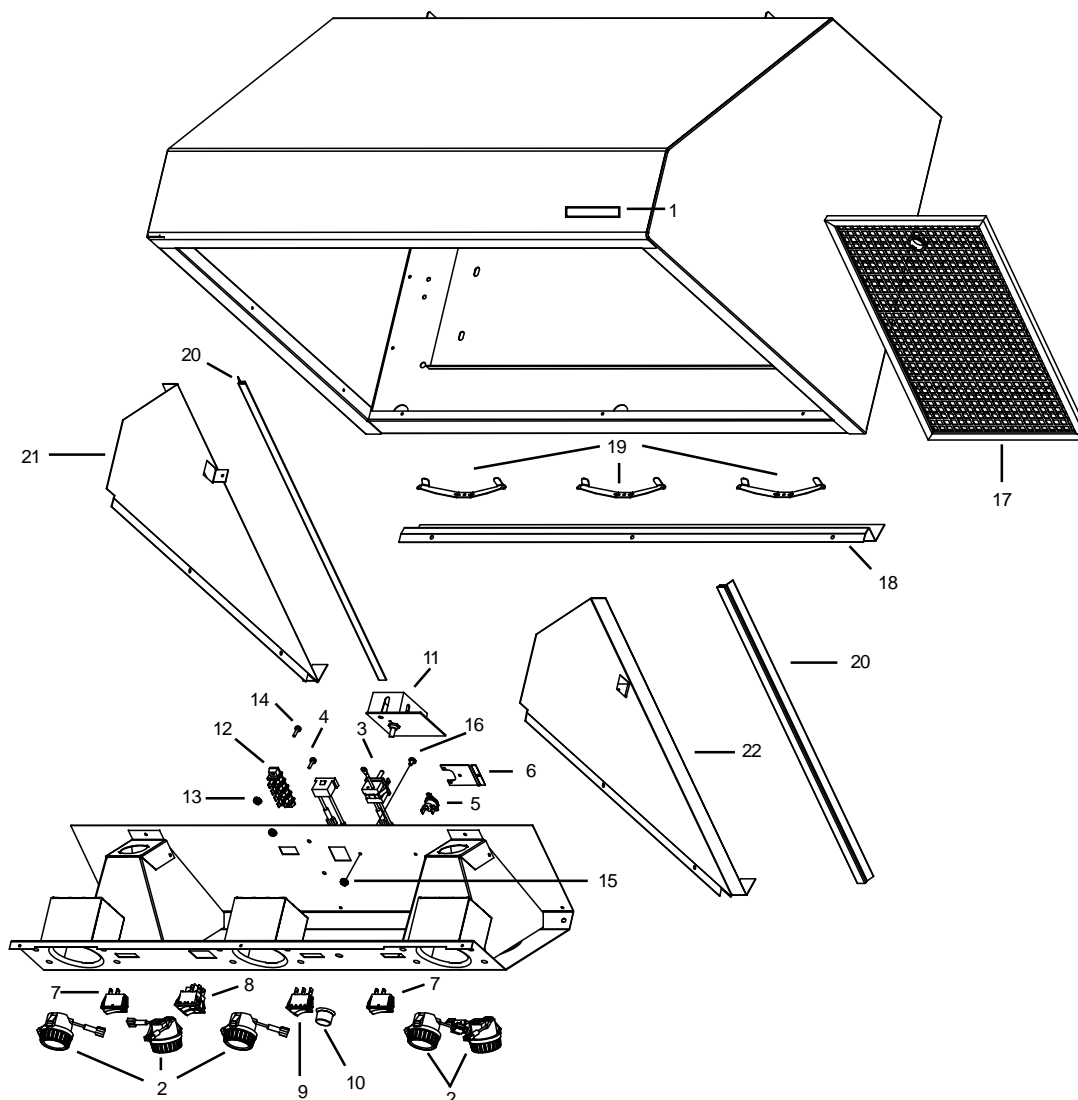
Operación

Limpieza

Instalación

Piezas de servicio

PIEZAS DE SERVICIO



HL0031

CLAVE NO	PIEZA NO.	DESCRIPCIÓN
1	V05617	Logotipo Jenn-Air
2	V02264	Casquete de porcelana
3	V02773	Conectador macho por motor
4	V02772	Conectador hemera por motor
5	V03435	Termostato
6	V03436	Soporte por termostato
7	V02563	Interruptor simple SPST para lámpara termógena
8	V03502	Interruptor doble SPST para lámpara halógena
9	V03503	Interruptor simple iluminado SPST para ventilador
10	V03504	Botón control de velocidad
11	V03501	Control de velocidad
12	V03505	Terminal de conexión
**	V03517	Cable de alimentación
**	V03519	Cable de control
**	V03520	Cable de interruptor iluminado
13	V00673	Tuerca dentellada 8-32
14	V02512	Tornillo mecanico 8-32 x 1/2
15	V01869	Tornillo mecanico 6-32 x 1/4

CLAVE NO	PIEZA NO.	DESCRIPCIÓN
16	V01582	Tuerca dentellada 6-32
17	V05730	Filtro para campana de 30"
	V05731	Filtro para campana de 36"
	V05731	Filtro para campana de 48"
	V05731	Filtro para campana de 48"
18	V14763	Canal 30"
	V14764	Canal 36"
	V14766	Canal 48"
19	V05528	Grapa de filtro 5.265" x 0.350"
20	V05521	Banda sellara 20.625"
21	V14744	Pared interior izquierda
22	V14745	Pared interior derecha
**	V05729	Manual de instalación por Jenn-Air
**	V12971	Bolsa de instalación (tom. con plana cabeza #10x2" (4), tom. #8 x 3/4" (8), Tuercas #10-32 (4), Anclas de la pared (2), Arandallas 3/16" ID x 3/4" OD)
**	V02544	Bombilla halógena PAR20 50W
*		Bombilla termógena BR40, 250W max.

Pida piezas de repuesto dando como referencia el No. DE PIEZA - no el No. DE CLAVE.

* Herraje estandar - cómprela a un distribuidor local.

** No se muestra.



Free Manuals Download Website

<http://myh66.com>

<http://usermanuals.us>

<http://www.somanuals.com>

<http://www.4manuals.cc>

<http://www.manual-lib.com>

<http://www.404manual.com>

<http://www.luxmanual.com>

<http://aubethermostatmanual.com>

Golf course search by state

<http://golfingnear.com>

Email search by domain

<http://emailbydomain.com>

Auto manuals search

<http://auto.somanuals.com>

TV manuals search

<http://tv.somanuals.com>