

30" (76.2 CM) AND 36" (91.4 CM) RETRACTABLE (POP-UP) DOWNDRAFT VENT SYSTEM

SYSTÈME DE VENTILATION RÉTRACTABLE (CLAPET) DE 30" (76,2 CM) ET 36" (91,4 CM) - ASPIRATION PAR LE BAS

Installation Instructions and Use & Care Guide

For questions about features, operation/performance, parts, accessories, or service in the U.S.A., call:
1-800-JENNAIR (1-800-536-6247), or visit our website at www.jennair.com.
In Canada, call: **1-800-807-6777**, or visit our website at www.jennair.ca.

Instructions d'installation et Guide d'utilisation et d'entretien

Au Canada, pour assistance, installation ou service, composez le **1-800-807-6777** ou visitez notre site web à www.jennair.ca.

Table of Contents/Table des matières 2

**IMPORTANT: READ AND SAVE THESE INSTRUCTIONS.
FOR RESIDENTIAL USE ONLY.**

**IMPORTANT : LIRE ET CONSERVER CES INSTRUCTIONS.
POUR UTILISATION RÉSIDENIELLE UNIQUEMENT.**

JENN-AIR®

LI3ZVB/W10342490D

TABLE OF CONTENTS

VENT SYSTEM SAFETY	2	VENT SYSTEM USE	14
INSTALLATION REQUIREMENTS	4	Operating Downdraft Vent	14
Tools and Parts	4	VENT SYSTEM CARE	14
Location Requirements	4	Surface of Downdraft Vent.....	14
Electrical Requirements	7	Filters	14
Venting Requirements.....	7	WIRING DIAGRAM	15
INSTALLATION INSTRUCTIONS	8	ASSISTANCE OR SERVICE	16
Venting Methods	8	In the U.S.A.	16
Install Vent System.....	9	In Canada	16
Rear Mounting - Blower Motor	11	Accessories	16
Complete Installation	12	WARRANTY	17
Make Electrical Connections	13		
Check Operation	13		

TABLE DES MATIÈRES

SÉCURITÉ DU SYSTÈME DE VENTILATION	19	UTILISATION DU SYSTÈME D'EXTRACTION	31
EXIGENCES D'INSTALLATION	21	Utilisation du système d'extraction par le bas.....	31
Outils et pièces.....	21	ENTRETIEN DU SYSTÈME D'ÉVACUATION	32
Exigences d'emplacement.....	21	Surface du système d'extraction par le bas	32
Spécifications électriques	24	Filtres	32
Exigences concernant l'évacuation	24	SCHÉMA DE CÂBLAGE	33
INSTRUCTIONS D'INSTALLATION	25	ASSISTANCE OU SERVICE	34
Méthodes d'évacuation	25	Au Canada	34
Installation du conduit d'évacuation.....	26	Accessoires	34
Montage du ventilateur à l'arrière	28	GARANTIE	35
Achever l'installation	29		
Raccordements électriques.....	30		
Contrôle du fonctionnement	31		

VENT SYSTEM SAFETY

Your safety and the safety of others are very important.

We have provided many important safety messages in this manual and on your appliance. Always read and obey all safety messages.



This is the safety alert symbol.

This symbol alerts you to potential hazards that can kill or hurt you and others.

All safety messages will follow the safety alert symbol and either the word "DANGER" or "WARNING."

These words mean:

⚠ DANGER

You can be killed or seriously injured if you don't immediately follow instructions.

⚠ WARNING

You can be killed or seriously injured if you don't follow instructions.

All safety messages will tell you what the potential hazard is, tell you how to reduce the chance of injury, and tell you what can happen if the instructions are not followed.

IMPORTANT SAFETY INSTRUCTIONS

WARNING: TO REDUCE THE RISK OF FIRE, ELECTRIC SHOCK, OR INJURY TO PERSONS, OBSERVE THE FOLLOWING:

- Use this unit only in the manner intended by the manufacturer. If you have questions, contact the manufacturer.
- Before servicing or cleaning the unit, switch power off at service panel and lock the service disconnecting means to prevent power from being switched on accidentally. When the service disconnecting means cannot be locked, securely fasten a prominent warning device, such as a tag, to the service panel.
- Installation work and electrical wiring must be done by qualified person(s) in accordance with all applicable codes and standards, including fire-rated construction.
- Do not operate any fan with a damaged cord or plug. Discard fan or return to an authorized service facility for examination and/or repair.
- Sufficient air is needed for proper combustion and exhausting of gases through the flue (chimney) of fuel burning equipment to prevent backdrafting. Follow the heating equipment manufacturer's guideline and safety standards such as those published by the National Fire Protection Association (NFPA), the American Society for Heating, Refrigeration and Air Conditioning Engineers (ASHRAE), and the local code authorities.
- When cutting or drilling into wall or ceiling; do not damage electrical wiring and other utilities.
- Ducted fans must always be vented outdoors.

CAUTION: For general ventilating use only. Do not use to exhaust hazardous or explosive materials and vapors.

CAUTION: To reduce risk of fire and to properly exhaust air, be sure to duct air outside - do not vent exhaust air into spaces within walls or ceilings, attics or into crawl spaces, or garages.

WARNING: TO REDUCE THE RISK OF FIRE, USE ONLY METAL DUCTWORK.

WARNING: TO REDUCE THE RISK OF A RANGE TOP GREASE FIRE:

- Never leave surface units unattended at high settings. Boilovers cause smoking and greasy spillovers that may ignite. Heat oils slowly on low or medium settings.
- Always turn hood ON when cooking at high heat or when flambeing food (i.e. Crepes Suzette, Cherries Jubilee, Peppercorn Beef Flambé).
- Clean ventilating fans frequently. Grease should not be allowed to accumulate on fan or filter.
- Use proper pan size. Always use cookware appropriate for the size of the surface element.

WARNING: TO REDUCE THE RISK OF INJURY TO PERSONS IN THE EVENT OF A RANGE TOP GREASE FIRE, OBSERVE THE FOLLOWING:^a

- SMOTHER FLAMES with a close fitting lid, cookie sheet, or metal tray, then turn off the burner. BE CAREFUL TO PREVENT BURNS. If the flames do not go out immediately, EVACUATE AND CALL THE FIRE DEPARTMENT.
- NEVER PICK UP A FLAMING PAN - you may be burned.
- DO NOT USE WATER, including wet dishcloths or towels - a violent steam explosion will result.
- Use an extinguisher ONLY if:
 - You know you have a class ABC extinguisher, and you already know how to operate it.
 - The fire is small and contained in the area where it started.
 - The fire department is being called.
 - You can fight the fire with your back to an exit.

^aBased on "Kitchen Fire Safety Tips" published by NFPA.

- **WARNING:** To reduce the risk of fire or electrical shock, do not use this fan with any solid-state speed control device.

READ AND SAVE THESE INSTRUCTIONS

INSTALLATION REQUIREMENTS

Tools and Parts

Gather the required tools and parts before starting installation. Read and follow the instructions provided with any tools listed here.

Tools Needed

- Jigsaw or keyhole saw
- Drill
- 1/8" (3 mm) drill bit for pilot holes
- Pencil
- Tape measure or ruler
- Flat-blade screwdriver
- Phillips screwdriver
- 3/8" (9.5 mm) nut driver
- Level
- Pliers
- Metal snips
- Wire stripper or utility knife
- Caulking gun and weatherproof caulking compound

Parts Supplied

- Top trim - stainless
- End caps (2)
- Lower support legs (2)
- Undercounter mounting brackets (2)
- 4 x 8 mm screws (16)
- 3.5 x 9.5 mm screws (3)
- 3 1/4" x 10" (8.3 x 25.4 cm) rectangular damper
- 4 3/4" (12.0 cm) motor box
- 1/4" (6.4 mm) deep cover
- Flat vent cover plate
- 6" (15.2 cm) diameter vent transition with damper

Parts Needed

- UL listed or CSA approved 1/2" (12.7 mm) conduit connector
- Wall or roof cap with damper to match vent system
- Vent system
- Home power supply cable
- UL listed wire connectors (3)
- Vent clamps/duct tape as required

Location Requirements

NOTE: Downdraft vent is installed directly behind the cooktop. Install the downdraft vent first, then install the cooktop.

IMPORTANT: Observe all governing codes and ordinances.

- Have a qualified technician install the downdraft vent. It is the installer's responsibility to comply with installation clearances specified on the model/serial rating plate. The model/serial rating plate is located on the front of the downdraft vent above the terminal box cover.
- Downdraft vent location should be away from strong draft areas, such as windows, doors, and strong heating vents or fans.
- Cabinet opening dimensions that are shown must be used. Given dimensions provide minimum clearance.
- Consult the cooktop manufacturer installation instructions before making any cutouts.

Check that the downdraft vent and cooktop location will clear the cabinet walls, backsplash, and rear wall studs inside the cabinet.

Check for the minimum distance between the front edge of the countertop and the front edge of the cooktop. The minimum horizontal distance between the overhead cabinets is the same as the width of the installed downdraft vent.

- All openings in ceiling and wall where the downdraft vent will be installed must be sealed.
- Grounded electrical outlet is required. See "Electrical Requirements" section.
- When installing the downdraft vent, the cabinet drawer will need to be removed and the drawer front installed permanently to the cabinet.

Cabinet Construction:

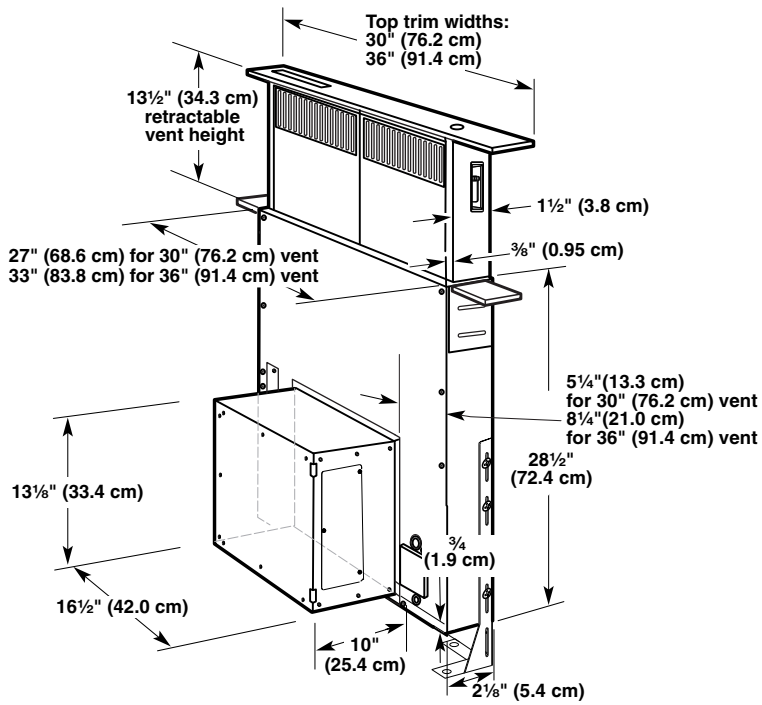
Downdraft vent is designed for use in a cabinet with a depth of 24" (61 cm). Some installations require a countertop deeper than 25" (63.5 cm). See the "Countertop Cutout Dimensions Chart."

The maximum depth of the overhead cabinet is 13" (33 cm). Overhead cabinets installed at either side of the downdraft vent must be 18" (45.7 cm) above the cooking surface.

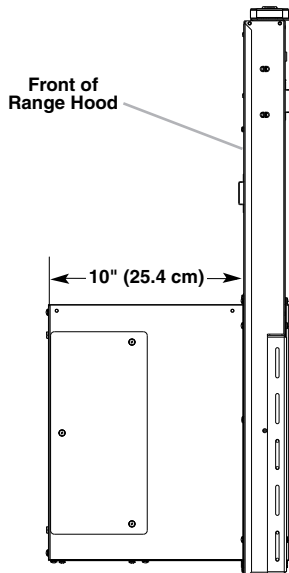
For Mobile Home Installations

The installation of this downdraft vent must conform to the Manufactured Home Construction Safety Standards, Title 24 CFR, Part 328 (formerly the Federal Standard for Mobile Home Construction and Safety, title 24, HUD, Part 280) or when such standard is not applicable, the standard for Manufactured Home Installation 1982 (Manufactured Home Sites, Communities and Setups) ANSI A225.1/NFPA 501A, or latest edition, or with local codes.

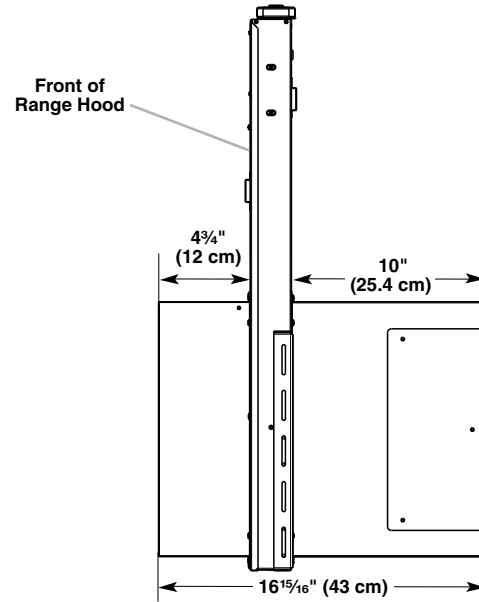
Product Dimensions



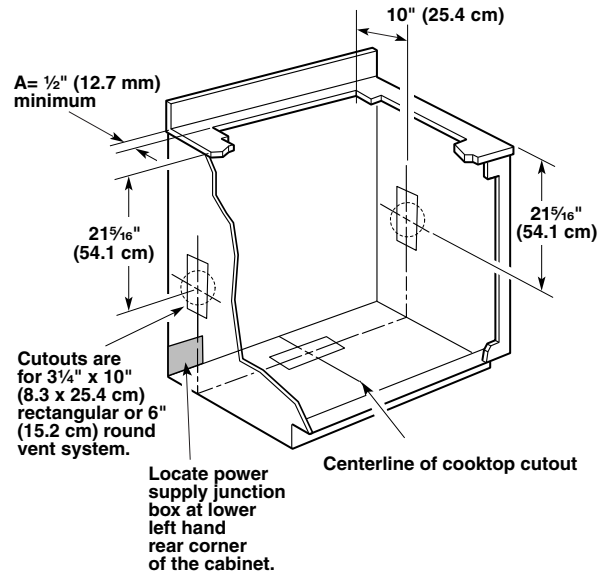
As-Received Blower



Reversed Blower



Cabinet Dimension



NOTES:

- See cooktop manufacturer's instructions for cooktop cutout depth and width.
- Use dimensions for vent system cutout location that applies to your installation.
- Interior mounted blower systems connect with $3\frac{1}{4}$ " x 10" (8.3 x 25.4 cm) rectangular or 6" (15.2 cm) round vent system. The cutout locations for this vent system will depend on your specific installation.

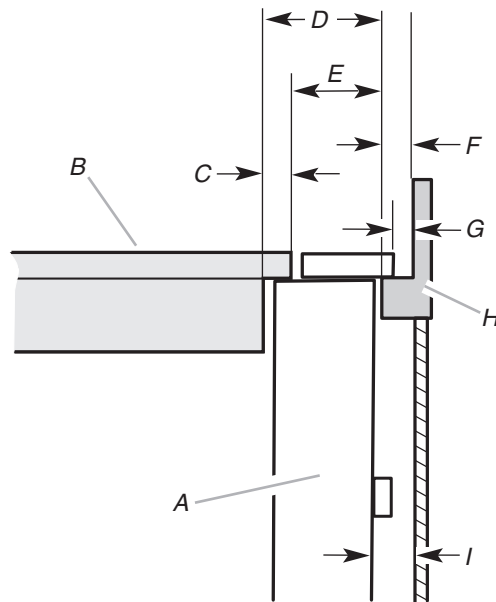
Countertop Cutout Dimensions

IMPORTANT: Countertops with a bull-nosed front edge are not recommended for these installations.

Some models require a countertop deeper than 25" (63.5 cm); see the following "Countertop Cutout Dimensions Chart."

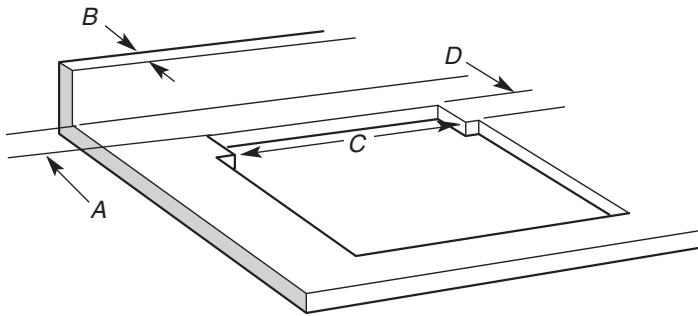
To avoid mistakes, it is recommended that the cooktop and vent cutouts be drawn on the countertop before making any cutouts.

See the Installation Instructions that came with your cooktop for complete cutout dimensions, location dimensions and installation details.



- | | |
|--|--------------------------------------|
| A. Downdraft vent | E. $1\frac{1}{8}$ " (46.2 mm) |
| B. Cooktop | F. $\frac{1}{2}$ " (12.7 mm) minimum |
| C. Measurement of cooktop rear overhang | G. $\frac{1}{4}$ " (6.4 mm) minimum |
| D. D = Measurement of cooktop rear overhang (C) + $1\frac{1}{8}$ " [46.2 mm] (E) | H. Countertop and backsplash |
| | I. $\frac{1}{2}$ " (12.7 mm) minimum |

Countertop Cutout Dimensions Chart



A. $\frac{1}{2}$ " (12.7 mm) minimum to backsplash or rear wall
B. $\frac{3}{4}$ " (19.1 mm) maximum backsplash depth

C. $27\frac{1}{2}$ " (69.9 cm) on 30" (76.2 cm) models
 $33\frac{1}{2}$ " (85.9 cm) on 36" (91.4 cm) models

D. D = Measurement of cooktop rear overhang + $1\frac{13}{16}$ " (46.2 mm)

Electrical Requirements

Observe all governing codes and ordinances.

Ensure that the electrical installation is adequate and in conformance with National Electrical Code, ANSI/NFPA 70 (latest edition), or CSA Standards C22.1-94, Canadian Electrical Code, Part 1 and C22.2 No. 0-M91 (latest edition) and all local codes and ordinances.

If codes permit and a separate ground wire is used, it is recommended that a qualified electrician determine that the ground path is adequate.

A copy of the above code standards can be obtained from:

National Fire Protection Association
1 Batterymarch Park
Quincy, MA 02169-7471
CSA International
8501 East Pleasant Valley Road
Cleveland, OH 44131-5575

- A 120 volt, 60 Hz., AC only, 15-amp, fused electrical circuit is required.
- If the house has aluminum wiring, follow the procedure below:
 1. Connect a section of solid copper wire to the pigtail leads.
 2. Connect the aluminum wiring to the added section of copper wire using special connectors and/or tools designed and UL listed for joining copper to aluminum.

Follow the electrical connector manufacturer's recommended procedure. Aluminum/copper connection must conform with local codes and industry accepted wiring practices.

- Wire sizes and connections must conform with the rating of the appliance as specified on the model/serial rating plate. The model/serial plate is located on the front of the downdraft vent, above the wiring box cover.
- Wire sizes must conform to the requirements of the National Electrical Code, ANSI/NFPA 70 (latest edition), or CSA Standards C22.1-94, Canadian Electrical Code, Part 1 and C22.2 No. 0-M91 (latest edition) and all local codes and ordinances.

Venting Requirements

IMPORTANT: Make sure there is proper clearance within the wall or floor before making exhaust vent cutouts.

- Use heavy (rigid) metal vent.
- Venting system must terminate to the outside.
- Do not terminate the vent system in an attic or other enclosed area.
- Do not use 4" (10.2 cm) laundry-type wall caps.
- Do not install 2 elbows together.
- Do not use plastic or metal foil vent.
- The length of vent system and number of elbows should be kept to a minimum to provide efficient performance.
- Use no more than three 90° elbows
- Make sure there is a minimum of 24" (61 cm) of straight vent between the elbows if more than one elbow is used.
- Use clamps or duct tape to seal all joints in the vent system.
- Use caulking tape to seal the exterior wall or floor opening around cap.
- Do not cut joist or stud. If vent cutout falls over a joist or stud, a supporting frame must be constructed.

Flexible metal vent is not recommended. If it is used, calculate each foot of flexible vent as 2 ft (0.6 m) of rigid metal vent.

Flexible elbows count twice as much as standard elbows.

Recommended vent system length:

For either interior-mounted or exterior-mounted blower installations, the vent system length should not exceed the maximum lengths listed in the Maximum Length of Vent System chart. See "Calculating Vent System Length" in the "Venting Methods" section in the Installation Instructions.

Cold Weather Installations

An additional back draft damper should be installed to minimize backward cold air flow and a thermal break should be installed to minimize conduction of outside temperatures as part of the vent system. The damper should be on the cold air side of the thermal break.

The break should be as close as possible to where the vent system enters the heated portion of the house.

Makeup Air

Local building codes may require the use of makeup air systems when using ventilation systems greater than specified CFM of air movement. The specified CFM varies from locale to locale. Consult your HVAC professional for specific requirements in your area.

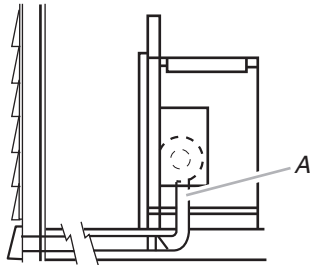
INSTALLATION INSTRUCTIONS

Venting Methods

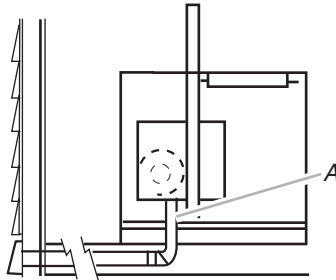
Determine which venting method is best for your application. Vent system can terminate either through the wall or floor.

Island Location

Front (Standard)-Mounted Blower Motor



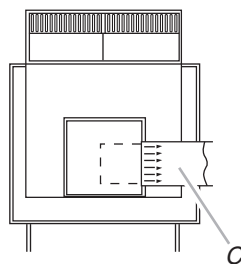
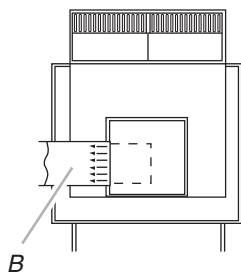
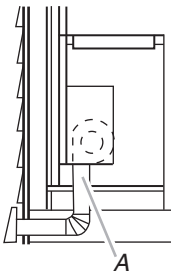
Rear-Mounted Blower Motor



A. Down vent

NOTE: For island locations, a front- or rear-mounted blower motor can also be mounted for right or left venting if needed for your application. Most island applications would still require the venting to be directed down through the floor.

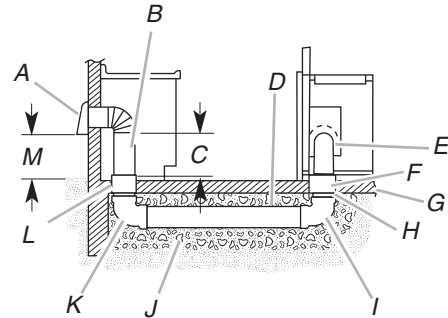
Built-In Cabinet Locations



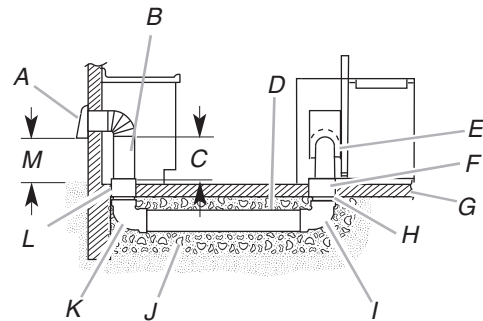
A. Down vent
B. Left vent
C. Right vent

Island Location - Vent System Installed Under a Concrete Slab Using PVC Sewer Pipe

Front (Standard) Mounted Blower Motor



Rear Mounted Blower Motor



- A. Wall cap
- B. 6" (15.2 cm) round metal vent
- C. 16" (40.6 cm) maximum
- D. 6" (15.2 cm) round PVC sewer pipe
- E. 6" (15.2 cm) round metal vent transition with damper (supplied)
- F. 6" (15.2 cm) round PVC coupling
- G. Concrete slab
- H. 6" (15.2 cm) round PVC sewer pipe
- I. 6" (15.2 cm) round 90° PVC sewer pipe elbow
- J. Tightly pack gravel or sand completely around pipe.
- K. 6" (15.2 cm) round 90° PVC sewer pipe elbow
- L. 6" (15.2 cm) round PVC coupling
- M. 12" (30.5 cm) minimum

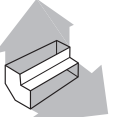
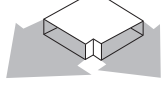






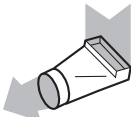
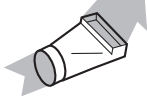
Calculating Vent System Length

3¼" x 10" (8.3 x 25.4 cm) rectangular vent is required from the blower motor box. It can be transitioned to 6" (15.2 cm) round vent if needed.

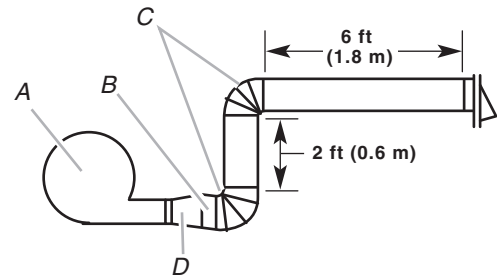
Maximum Length of Vent System

Vent	Length
6" (15.2 cm) round	35 ft (8.9 m)
3¼" x 10" (8.3 cm x 25.4 cm)	35 ft (8.9 m)

To calculate the length of the system you need, add the equivalent feet (meters) for each vent piece used in the system.

Vent Piece	3 1/4" x 10" (8.3 cm x 25.4 cm) Rectangular	
3 1/4" x 10" (8.3 cm x 25.4 cm) 90° elbow	5.0 ft (1.5 m)	
3 1/4" x 10" (8.3 cm x 25.4 cm) flat elbow	12.0 ft (3.7 m)	
3 1/4" x 10" (8.3 cm x 25.4 cm) wall cap	0.0 ft (0.0 m)	
Vent Piece	6" (15.2 cm) Round	
45° elbow	2.5 ft (0.8 m)	
90° elbow	5.0 ft (1.5 m)	
6" (15.2 cm) wall cap	0.0 ft (0.0 m)	
3 1/4" x 10" (8.3 cm x 25.4 cm) to 6" (15.2 cm) transition	4.5 ft (1.4 m)	
6" (15.2 cm) to 3 1/4" x 10" (8.3 cm x 25.4 cm) transition	1 ft (0.3 m)	
3 1/4" x 10" (8.3 cm x 25.4 cm) to 6" (15.2 cm) 90° elbow	5.0 ft (1.5 m)	
6" (15.2 cm) to 3 1/4" x 10" (8.3 cm x 25.4 cm) 90° elbow	5.0 ft (1.5 m)	

Example Vent System



A. Blower motor C. 90° elbows
B. Transition D. Back draft damper

The following example falls within the maximum vent length of 35 ft (8.9 m).

2 - 90° elbow	= 10.0 ft (3 m)
1 - wall cap	= 0.0 ft (0.0 m)
8 ft (2.4 m) straight	= 8.0 ft (2.4 m)
Transition	= 4.5 ft (1.4 m)

Length of 6" (15.2 cm) or 3 1/4" x 10" (8.3 cm x 25.4 cm) system = 22.5 ft (6.8 m)

Install Vent System

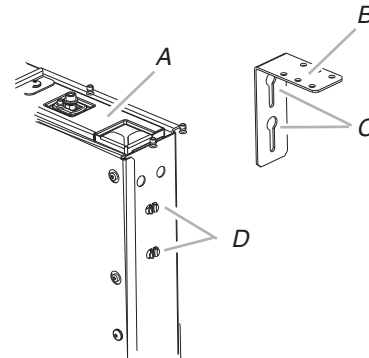
⚠ WARNING

Excessive Weight Hazard

Use two or more people to move and install
downdraft vent.

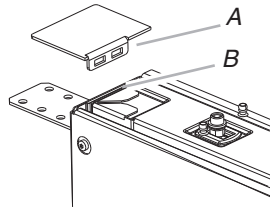
Failure to do so can result in back or other injury.

1. Place cardboard or similar material on top of a flat surface where you can easily assemble the downdraft vent system.
2. Remove parts packages, downdraft vent and blower box from the carton.
3. Remove all shipping materials, tape and film from the downdraft vent and blower box.
4. Install the right and left undercounter mounting brackets to the vent box. Slide the keyhole slots over the guide tabs and push the brackets up to set them into place.



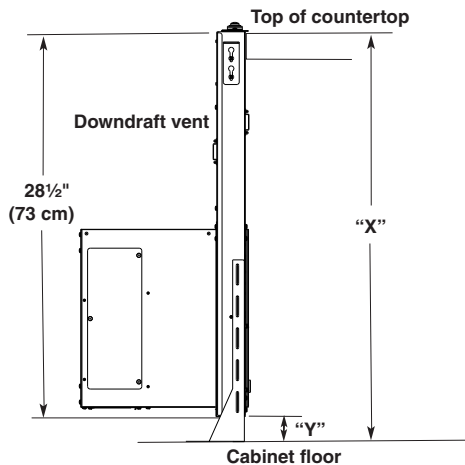
A. Vent box
B. Undercounter mounting bracket
C. Keyhole slots
D. Guide tabs

- Attach the right and left end caps to the vent box. Place the tab into the mounting slot at each end of the downdraft vent as shown and push down to lock into place.

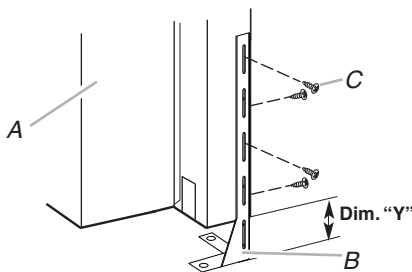


A. End cap tab
B. Mounting slot

- Measure distance "X" from the cabinet floor to the top of the countertop. Subtract 28½" from distance "X" to determine dimension "Y" ($X - 28\frac{1}{2} = Y$).



- Attach the support legs to the side of the vent box with 4 - 4 x 8 mm screws in each support leg. Adjust to dimension "Y" from the bottom of the vent box to the bottom of the support legs. Tighten screws.



A. Motor box
B. Support leg
C. 4 x 8 mm screws (4)

Determine Which Vent Direction Is Best For Your Installation

When installed in a cabinet, vent system can exhaust through the bottom, right or left of the cabinet.

IMPORTANT: When using the 6" (15.2 cm) vent transition (supplied) for 6" round venting, only left or right venting is recommended.

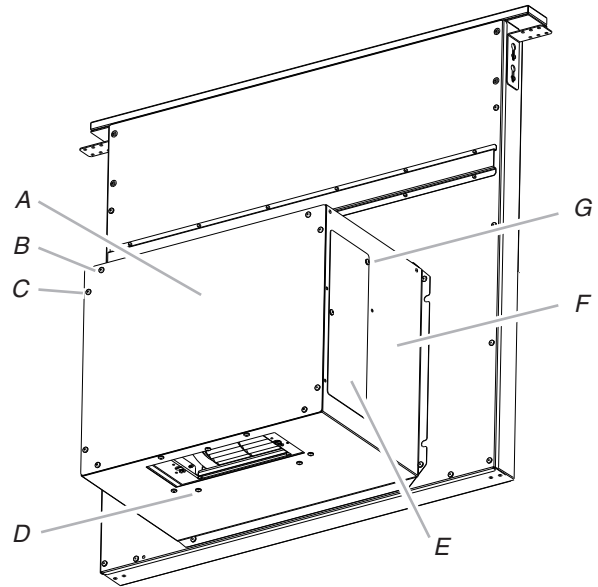
Bottom Venting:

NOTE: If installing the vent damper in the down position, a wall or roof cap with a damper at the exit end of the vent system is required.

- Downdraft vent is shipped with blower in down venting position so no modification is required.
- If rear mounting of the blower motor is not required, go to the "Complete Installation" section.
- To mount the blower motor to the rear side of the vent box, go to the "Rear Mounting - Blower Motor" section.

Left or Right Venting:

- Using two or more people, place the downdraft vent system on its back.
- Remove the 4 screws from the cover plate mounted to the face of the motor box and set them aside.



A. Cover plate
B. Cover plate screws (4)
C. Cover plate keyhole slot shoulder screws (4)
D. Motor mounting screws (4)
E. Vent cover plate
F. Motor box
G. Vent cover screws (3)

- Slide the cover plate up and slip it over the keyhole slot shoulder screws. Set the cover aside.
- Remove 4 screws from the bottom of the motor box that hold the motor assembly to the motor box.
NOTE: Disconnect the electrical wiring connection from motor if needed.
- Remove 3 screws and the vent cover plate from the left or right side of the motor box for the venting direction to be used.
- Rotate the blower motor assembly 90 degrees to the left or right side to the chosen venting direction and secure to the blower box with motor mounting screws previously removed. Do not twist or bind the wires.
- Install the vent cover plate over the rectangular opening in the bottom of the motor box and secure with vent cover screws.

NOTE: Reinstall the electrical wiring connection to motor if removed.

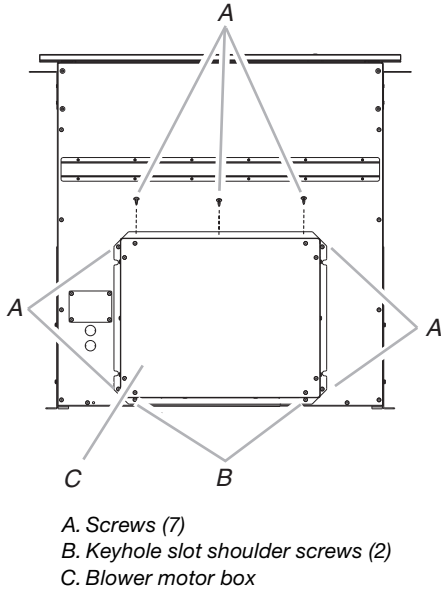
- Reinstall the cover plate to the face of the motor box and secure with 4 cover plate screws previously removed.
- For mounting the blower motor to the back of the vent box, go to the "Rear Mounting - Blower Motor" section. Otherwise, go to the "Complete Installation" section.

Rear Mounting - Blower Motor

NOTE: Optional blower motor rear mounting position (opposite side) for island cabinet locations. The blower motor box assembly can be moved to the opposite side (rear) of the vent box.

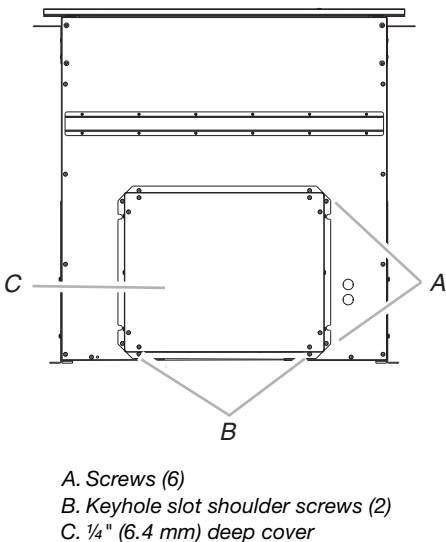
1. Remove 7 screws from the mounting flanges of the blower motor box.

Front View



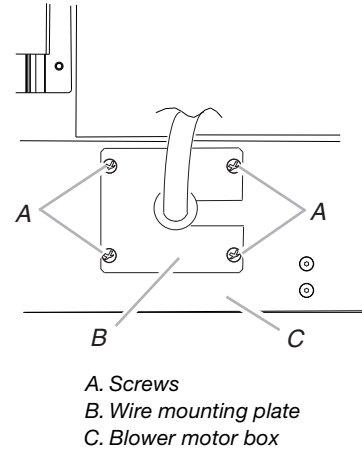
2. Lift blower motor box off the shoulder screws in the keyhole slots. Disconnect wire connection from blower motor and set blower motor box aside.
3. Remove 6 screws from the mounting flange of the 1/4" (6.4 mm) deep cover.

Rear View

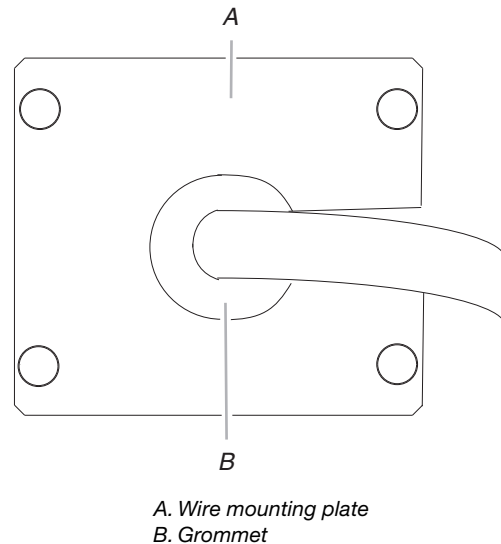


4. Lift the 1/4" (6.4 mm) deep cover off the shoulder screws in the keyhole slots and set the cover aside.

5. Remove the screws from the wire mounting plate.



6. Hold the wire mounting plate and push the grommet out of the mounting plate.



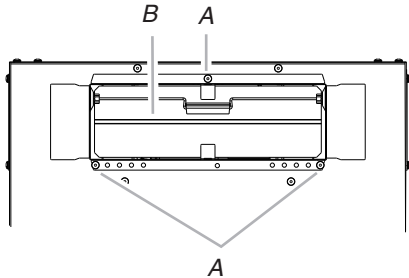
7. Slide the wire assembly through the slot in the wire mounting plate to remove it.
8. Place the wire assembly through the opening to the opposite side of the vent box.
9. Reassemble the wire assembly and grommet to the wire mounting plate.
10. Install the wire mounting plate to the vent box using the 4 screws previously removed.
11. Place the blower motor box assembly with the keyhole slots over the 2 shoulder screws on the rear of the vent box and reconnect the wire connection to the blower motor.
12. Mount the blower motor box to the vent box and secure using the 6 screws previously removed.
13. Mount the 4 3/4" (12.0 cm) cover box (supplied) to the front of the vent box. Place the keyhole slots over the 2 shoulder screws, align the mounting holes, and secure the cover box to vent box using the 6 screws previously removed from the 1/4" (6.4 mm) deep cover.
14. Go to the "Complete Installation" section.

Complete Installation

NOTE: The downdraft vent system is supplied with a 3/4" x 10" (8.3 x 25.4 cm) back draft damper and a 6" (15.2 cm) round vent transition with damper. Refer to "3/4" x 10" (8.3 x 25.4 cm) back draft damper" or "6" (15.2 cm) round vent transition with damper," depending upon the type of venting you are using.

3/4" x 10" (8.3 x 25.4 cm) Back Draft Damper

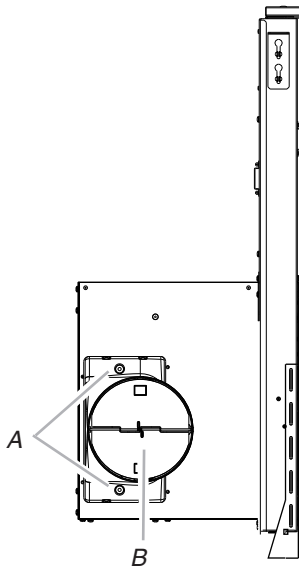
1. Attach the 3/4" x 10" (8.3 x 25.4 cm) back draft damper to the vent opening in the blower motor box, using three 3.5 x 9.5 mm screws.



A. 3.5 x 9.5 mm screws
B. 3/4" x 10" (8.3 x 25.4 cm) back draft damper

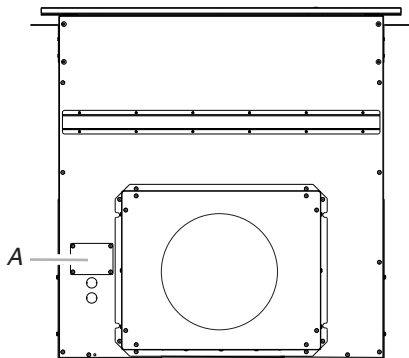
6" (15.2 cm) Round Vent Transition With Damper

1. Attach the 6" (15.2 cm) round vent transition to vent opening (left or right side venting only is recommended), using two 3.5 x 9.5 mm screws.



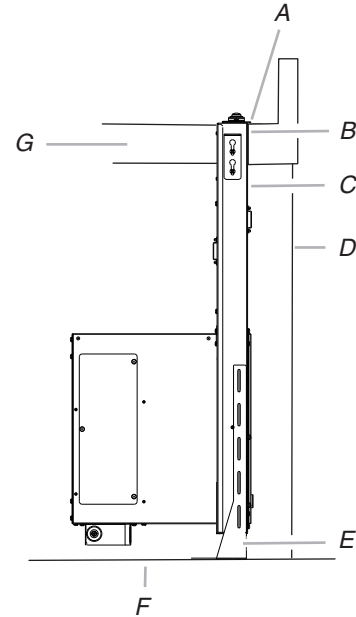
A. 3.5 x 9.5 mm screws
B. 6" (15.2 cm) round vent transition with damper

2. Remove 4 screws attaching the terminal box cover.



A. Terminal box cover

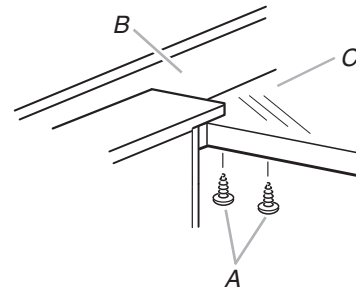
3. Determine which direction (front or rear) the home power supply cable will enter the terminal box. Remove the appropriate knockout from the front or rear panel and install a 1/2" (12.7 mm) UL listed or CSA approved conduit connector.
4. Using 2 or more people, insert the downdraft vent into the countertop cutout. Position downdraft vent so it is centered in the cutout with the rear flange over the edge of the cutout and the rear of the vent box against the edge of the cutout.



A. Rear flange of downdraft vent
B. Edge of cutout in countertop
C. Rear of downdraft vent
D. Cabinet back
E. Lower support leg
F. Cabinet floor
G. Countertop

5. Drill 2 pilot holes through each of the undercounter mounting brackets into the underside of the countertop. Using 2 screws (not provided) of the appropriate length, mount the brackets to the countertop.

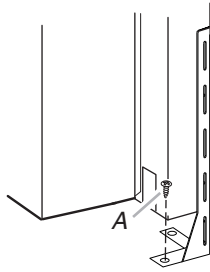
IMPORTANT: Select a screw length that will not allow the screws to go through the countertop when tightened.



A. Screws
B. Backsplash
C. Countertop

6. Check that the downdraft vent is level vertically. Loosen the lower support legs screws and position the legs against the cabinet floor.

- Fasten the lower support legs to the cabinet floor with screws (not provided).



A. Screw (not provided)

- Tighten the lower support legs screws.

Make Electrical Connections

⚠ WARNING



Electrical Shock Hazard

Disconnect power before servicing.

Replace all parts and panels before operating.

Failure to do so can result in death or electrical shock.

- Disconnect power.
- Feed the power supply cable through the conduit connector and into the terminal box.

⚠ WARNING



Electrical Shock Hazard

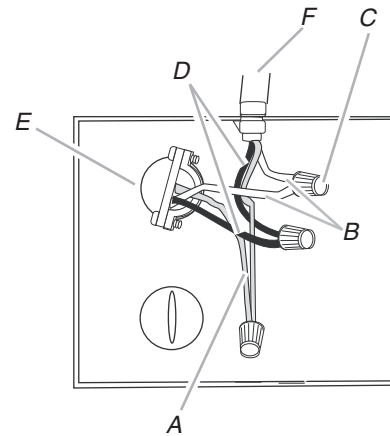
Electrically ground blower.

Connect ground wire to green and yellow ground wire in terminal box.

Failure to do so can result in death or electrical shock.

- Connect the green (or green/yellow) ground wire to the green or yellow/green ground wire using UL listed wire connectors. Tighten the screw on the conduit connector.

- Connect the 2 white wires together using UL listed wire connectors.



A. Green or green and yellow ground wire
 B. White wires
 C. UL listed wire connectors
 D. Black wires
 E. UL listed or CSA approved conduit connector
 F. Downdraft vent wiring

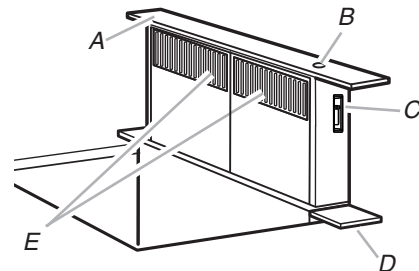
- Connect the 2 black wires together using UL listed wire connectors.
- Replace the terminal box cover and secure with screw.
- Reconnect power.

Check Operation

- Push and hold the button on the top of the downdraft vent for a few seconds. The retractable section of the downdraft vent will rise, and the blower will start. Position the top trim over the retractable section and snap trim into place.

Trim kits for matching your cooktop color are available from your dealer.

For information on ordering, see the "Assistance or Service" section.



A. Top trim
 B. ON/OFF button
 C. Blower control slider
 D. End cap
 E. Filters

- Slide the control slider on the side of vent to check the operation and speed of the blower.
- If the blower does not operate:
 - Check that filter or filters are pressed in as far as they will go.
 - Check that the circuit breaker has not tripped or a household fuse blown.
- Connect vent system to blower. Vent system must end with a wall or roof cap. Use clamps or duct tape to seal all joints.
- Install cooktop according to manufacturer's instructions. Check that rear of cooktop overlaps edge of retractable downdraft vent by $\frac{3}{8}$ " (9.5 mm). See "Countertop Cutout Dimensions" in the "Location Requirements" section.

NOTE: To get the most efficient use from your new retractable downdraft vent, read the "Vent System Use" section.

VENT SYSTEM USE

The retractable downdraft vent system is designed to remove smoke, cooking vapors and odors from the cooktop area.

- For best results, the vent should be operating before cooking is started.
- If you use large or tall utensils, place them on the large rear element or burner surface.
- A higher heat setting than normally used may be needed when the downdraft vent is operating.
- For gas cooktops, the downdraft vent system may affect the flame stability and cooking performance. To improve the burner performance, either decrease the downdraft vent blower speed or increase the cooktop burner flame setting.
- For gas cooktops with flame sensing ignitions, the downdraft vent system may disperse the flame away from the spark igniter and may cause it to continually spark while trying to reignite a burner that is already lit. To resolve the issue of the cooktop igniter continuously sparking, either decrease the downdraft vent blower speed or increase the cooktop flame setting for that burner.

Operating Downdraft Vent

To Use:

1. Push and hold the button on top of downdraft vent for a few seconds. (This slight delay helps avoid unintentional raising of the vent during cleaning of the cooktop area.) Retractable section of downdraft vent will rise. Blower will begin to vent immediately if blower control knob slider is set to an "On" position.
2. Slide the control slider on the right-hand side of the downdraft vent to adjust the blower motor speed.

When Cooking Is Complete:

1. Push the button on top of the retractable downdraft vent. The blower will turn off, and the retractable section of the vent will return to the closed position.

NOTE: If a spill occurs on the cooktop that allows liquids to seep inside the downdraft vent, you must turn the downdraft vent off immediately. It is possible to cause damage to the downdraft vent if water is allowed inside the downdraft vent while it is operating.

2. Immediately turn off the downdraft vent at the speed control located on the right-hand side of the downdraft vent.
3. Turn off the power supply to the downdraft vent at the circuit breaker box or fuse box.
4. Allow plenty of time for the downdraft vent to dry naturally. Do not open the downdraft vent to remove the water.

VENT SYSTEM CARE

Surface of Downdraft Vent

To avoid damaging the finish, clean downdraft vent with soap and water. Do not use scouring powder or abrasive solutions.

Exterior Surfaces:

To avoid damage to the exterior surface, do not use steel wool or soap-filled scouring pads.

Always wipe dry to avoid water marks.

Cleaning Method:

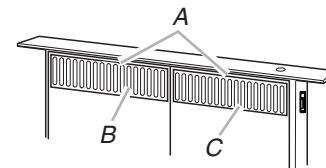
- Liquid detergent soap and water, or all-purpose cleanser
- Wipe with damp soft cloth or nonabrasive sponge, then rinse with clean water and wipe dry.

To Clean:

1. Remove the filter(s) and clean them in a dishwasher or in a hot detergent solution. The downdraft vent will not operate when the filters are not in place.
2. Dry the clean filter(s) and reinstall, making sure that they lock into place.

If Retractable Downdraft Vent Does Not Operate After Clean Filters Have Been Installed:

Push the filter in as far as it will go. When the filter is removed, the microswitch behind the filter is inactivated. This feature will not allow the vent system to operate until the filter is properly installed.



A. Spring release handles
B. Left metal filter
C. Right metal filter

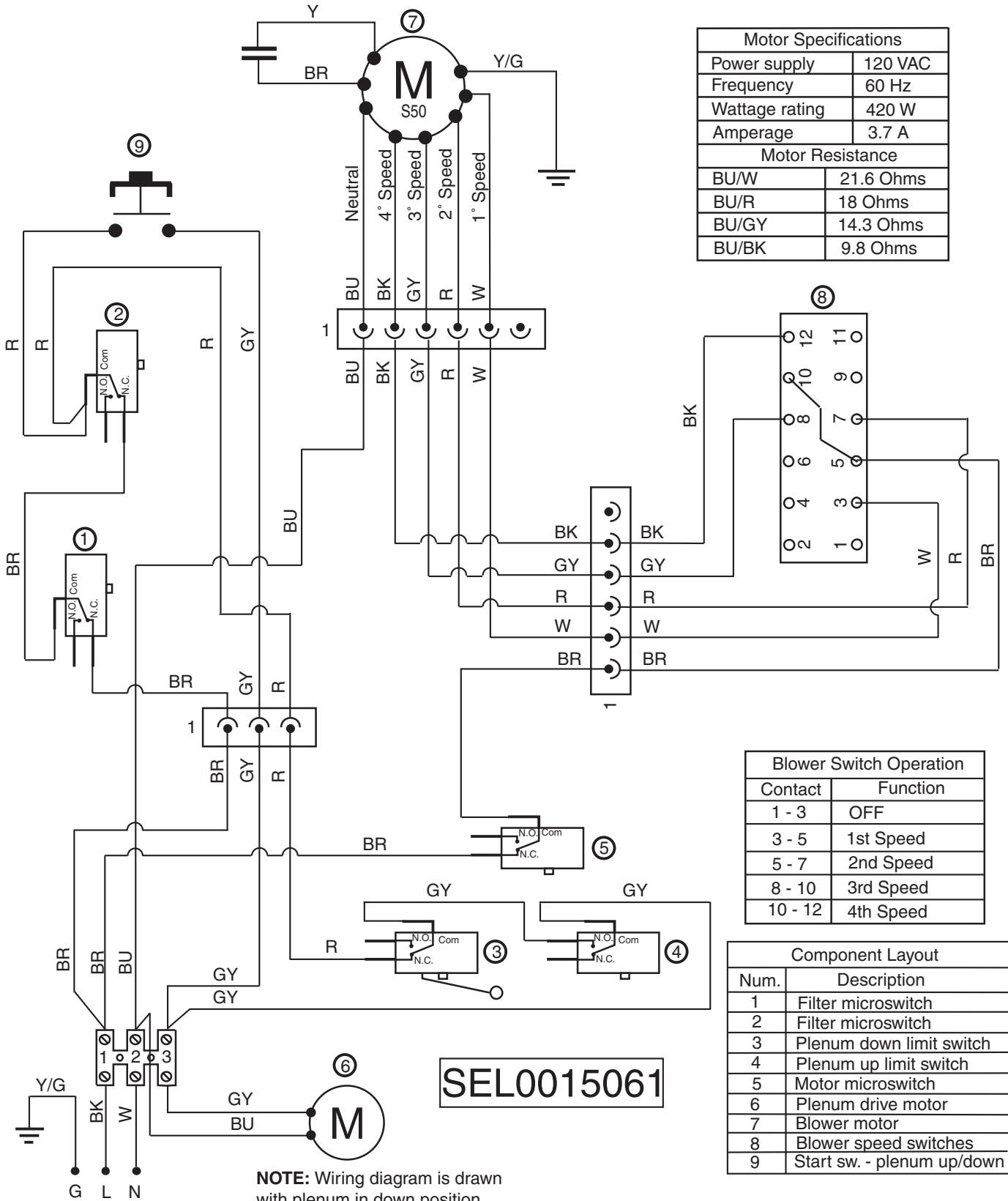
Filters

Frequently remove and clean the filter(s) in the retractable section of the downdraft vent. This will improve the operating efficiency of the downdraft vent system.

To Replace:

1. Remove each filter by pulling the spring release handle and then pulling down the filter.
2. Wash metal filters as needed in dishwasher or hot detergent solution.
3. Reinstall the filter by making sure the spring release handles are toward the front. Insert metal grease filter into upper track.
4. Pull the spring release handle down.
5. Push up on metal filter and release handle to latch into place.
6. Repeat steps 1-5 for the other filter.

WIRING DIAGRAM



Motor Specifications	
Power supply	120 VAC
Frequency	60 Hz
Wattage rating	420 W
Amperage	3.7 A
Motor Resistance	
BU/W	21.6 Ohms
BU/R	18 Ohms
BU/GY	14.3 Ohms
BU/BK	9.8 Ohms

Blower Switch Operation	
Contact	Function
1 - 3	OFF
3 - 5	1st Speed
5 - 7	2nd Speed
8 - 10	3rd Speed
10 - 12	4th Speed

Component Layout	
Num.	Description
1	Filter microswitch
2	Filter microswitch
3	Plenum down limit switch
4	Plenum up limit switch
5	Motor microswitch
6	Plenum drive motor
7	Blower motor
8	Blower speed switches
9	Start sw. - plenum up/down

NOTE: Wiring diagram is drawn with plenum in down position.

SEL0015061

ASSISTANCE OR SERVICE

When calling for assistance or service, please know the purchase date and the complete model and serial number of your appliance. This information will help us to better respond to your request.

If you need replacement parts

If you need to order replacement parts, we recommend that you use only factory specified parts. Factory specified parts will fit right and work right because they are made with the same precision used to build every new appliance. To locate factory specified replacement parts in your area, call us or your nearest designated service center.

In the U.S.A.

Call the dealer from whom your appliance was purchased, or call **1-800-JENNAIR (1-800-536-6247)** to locate an authorized service company. When calling, please know the purchase date and the complete model and serial number of your appliance. Be sure to retain proof of purchase to verify warranty status.

If the dealer or service company cannot resolve your problem, write to:

Jenn-Air Brand Home Appliances
Customer eXperience Center
553 Benson Road
Benton Harbor, MI 49022-2692

Web address: **www.jennair.com**

Or call: **1-800-536-6247**

U.S. customers using TTY for deaf, hearing impaired or speech impaired, call: **1-800-688-2080** (Monday - Friday, 8:00 a.m. - 8:00 p.m. Eastern Time).

NOTE: When writing or calling about a service problem, please include the following information:

1. Your name, address and daytime telephone number.
2. Appliance model number and serial number.
3. Name and address of your dealer or servicer.
4. A clear description of the problem you are having.
5. Proof of purchase (sales receipt).

User's guides, service manuals and parts information are available from Jenn-Air Brand Home Appliances, Customer eXperience Center.

In Canada

Call the dealer from whom your appliance was purchased, or call Jenn-Air at **1-800-807-6777** to locate an authorized service company. When calling, please know the purchase date and the complete model and serial number of your appliance. Be sure to retain proof of purchase to verify warranty status.

If the dealer or service company cannot resolve your problem, write to:

Jenn-Air Brand Home Appliances
Customer eXperience Centre
200 - 6750 Century Ave
Mississauga, ON L5N 0B7

Web address: **www.jennair.ca**

Or call: **1-800-807-6777**.

NOTE: When writing or calling about a service problem, please include the following information:

1. Your name, address and daytime telephone number.
2. Appliance model number and serial number.
3. Name and address of your dealer or servicer.
4. A clear description of the problem you are having.
5. Proof of purchase (sales receipt).

User's guides, service manuals and parts information are available from Jenn-Air Brand Home Appliances, Customer eXperience Centre.

Accessories

NOTE: Instructions are included with each kit.

For model series JXD7030Y

30" (76.2 cm) one-piece top trim

Order Part Number W10387676 (black)

For model series JXD7036Y

36" (91.4 cm) one-piece top trim

Order Part Number W10387677 (black)

JENN-AIR® MAJOR APPLIANCE WARRANTY

ONE YEAR LIMITED WARRANTY

For one year from the date of purchase, when this major appliance is operated and maintained according to instructions attached to or furnished with the product, Jenn-Air brand of Whirlpool Corporation or Whirlpool Canada LP (hereafter "Jenn-Air") will pay for factory specified parts and repair labor to correct defects in materials or workmanship. Service must be provided by a Jenn-Air designated service company. This limited warranty is valid only in the United States or Canada and applies only when the major appliance is used in the country in which it was purchased. Outside the 50 United States and Canada, this limited warranty does not apply. Proof of original purchase date is required to obtain service under this limited warranty.

ITEMS EXCLUDED FROM WARRANTY

This limited warranty does not cover:

1. Service calls to correct the installation of your major appliance, to instruct you on how to use your major appliance, to replace or repair house fuses, or to correct house wiring or plumbing.
2. Service calls to repair or replace appliance light bulbs, air filters or water filters. Consumable parts are excluded from warranty coverage.
3. Repairs when your major appliance is used for other than normal, single-family household use or when it is used in a manner that is contrary to published user or operator instructions and/or installation instructions.
4. Damage resulting from accident, alteration, misuse, abuse, fire, flood, acts of God, improper installation, installation not in accordance with electrical or plumbing codes, or use of consumables or cleaning products not approved by Jenn-Air.
5. Cosmetic damage, including scratches, dents, chips or other damage to the finish of your major appliance, unless such damage results from defects in materials or workmanship and is reported to Jenn-Air within 30 days from the date of purchase.
6. Any food loss due to refrigerator or freezer product failures.
7. Costs associated with the removal from your home of your major appliance for repairs. This major appliance is designed to be repaired in the home and only in-home service is covered by this warranty.
8. Repairs to parts or systems resulting from unauthorized modifications made to the appliance.
9. Expenses for travel and transportation for product service if your major appliance is located in a remote area where service by an authorized Jenn-Air servicer is not available.
10. The removal and reinstallation of your major appliance if it is installed in an inaccessible location or is not installed in accordance with published installation instructions.
11. Major appliances with original model/serial numbers that have been removed, altered or cannot be easily determined. This warranty is void if the factory applied serial number has been altered or removed from your major appliance.

The cost of repair or replacement under these excluded circumstances shall be borne by the customer.

DISCLAIMER OF IMPLIED WARRANTIES; LIMITATION OF REMEDIES

CUSTOMER'S SOLE AND EXCLUSIVE REMEDY UNDER THIS LIMITED WARRANTY SHALL BE PRODUCT REPAIR AS PROVIDED HEREIN. IMPLIED WARRANTIES, INCLUDING WARRANTIES OF MERCHANTABILITY OR FITNESS FOR A PARTICULAR PURPOSE, ARE LIMITED TO ONE YEAR OR THE SHORTEST PERIOD ALLOWED BY LAW. JENN-AIR SHALL NOT BE LIABLE FOR INCIDENTAL OR CONSEQUENTIAL DAMAGES. SOME STATES AND PROVINCES DO NOT ALLOW THE EXCLUSION OR LIMITATION OF INCIDENTAL OR CONSEQUENTIAL DAMAGES, OR LIMITATIONS ON THE DURATION OF IMPLIED WARRANTIES OF MERCHANTABILITY OR FITNESS, SO THESE EXCLUSIONS OR LIMITATIONS MAY NOT APPLY TO YOU. THIS WARRANTY GIVES YOU SPECIFIC LEGAL RIGHTS, AND YOU MAY ALSO HAVE OTHER RIGHTS WHICH VARY FROM STATE TO STATE OR PROVINCE TO PROVINCE.

If outside the 50 United States and Canada, contact your authorized Jenn-Air dealer to determine if another warranty applies.

If you need service, first see the "Troubleshooting" section of the Use & Care Guide. After checking "Troubleshooting," you may find additional help by checking the "Assistance or Service" section or by calling Jenn-Air. In the U.S.A., call **1-800-536-6247**. In Canada, call **1-800-807-6777**.

6/09

Keep this book and your sales slip together for future reference. You must provide proof of purchase or installation date for in-warranty service.

Write down the following information about your major appliance to better help you obtain assistance or service if you ever need it. You will need to know your complete model number and serial number. You can find this information on the model and serial number label located on the product.

Dealer name _____

Address _____

Phone number _____

Model number _____

Serial number _____

Purchase date _____

Notes

SÉCURITÉ DU SYSTÈME DE VENTILATION

Votre sécurité et celle des autres est très importante.

Nous donnons de nombreux messages de sécurité importants dans ce manuel et sur votre appareil ménager. Assurez-vous de toujours lire tous les messages de sécurité et de vous y conformer.



Voici le symbole d'alerte de sécurité.

Ce symbole d'alerte de sécurité vous signale les dangers potentiels de décès et de blessures graves à vous et à d'autres.

Tous les messages de sécurité suivront le symbole d'alerte de sécurité et le mot "DANGER" ou "AVERTISSEMENT". Ces mots signifient :

⚠ DANGER

Risque possible de décès ou de blessure grave si vous ne suivez pas immédiatement les instructions.

⚠ AVERTISSEMENT

Risque possible de décès ou de blessure grave si vous ne suivez pas les instructions.

Tous les messages de sécurité vous diront quel est le danger potentiel et vous disent comment réduire le risque de blessure et ce qui peut se produire en cas de non-respect des instructions.

IMPORTANTES INSTRUCTIONS DE SÉCURITÉ

AVERTISSEMENT : POUR RÉDUIRE LE RISQUE D'INCENDIE, CHOC ÉLECTRIQUE OU DOMMAGES CORPORELS, RESPECTER LES INSTRUCTIONS SUIVANTES :

- Utiliser cet appareil uniquement dans les applications envisagées par le fabricant. Pour toute question, contacter le fabricant.
- Avant d'entreprendre un travail d'entretien ou de nettoyage, interrompre l'alimentation de la hotte au niveau du tableau de disjoncteurs, et verrouiller le tableau de disjoncteurs pour empêcher tout rétablissement accidentel de l'alimentation du circuit. Lorsqu'il n'est pas possible de verrouiller le tableau de disjoncteurs, placer sur le tableau de disjoncteurs une étiquette d'avertissement proéminente interdisant le rétablissement de l'alimentation.
- Tout travail d'installation ou câblage électrique doit être réalisé par une personne qualifiée, dans le respect des prescriptions de tous les codes et normes applicables, y compris les codes du bâtiment et de protection contre les incendies.
- Ne pas faire fonctionner un ventilateur dont le cordon ou la fiche est endommagé(e). Jeter le ventilateur ou le retourner à un centre de service agréé pour examen et/ou réparation.
- Une source d'air de débit suffisant est nécessaire pour le fonctionnement correct de tout appareil à gaz (combustion et évacuation des gaz à combustion par la cheminée), pour qu'il n'y ait pas de reflux des gaz de combustion. Respecter les directives du fabricant de l'équipement de chauffage et les prescriptions des normes de sécurité - comme celles publiées par la National Fire Protection Association (NFPA) et l'American Society for Heating, Refrigeration and Air Conditioning Engineers (ASHRAE), et les prescriptions des autorités réglementaires locales.
- Lors d'opérations de découpage et de perçage dans un mur ou un plafond, veiller à ne pas endommager les câblages électriques ou canalisations qui peuvent s'y trouver.
- Les ventilateurs d'évacuation doivent toujours décharger l'air à l'extérieur.

MISE EN GARDE : Cet appareil est conçu uniquement pour la ventilation générale. Ne pas l'utiliser pour l'extraction de matières ou vapeurs dangereuses ou explosives.

MISE EN GARDE : Pour minimiser le risque d'incendie et évacuer adéquatement les gaz, veiller à acheminer l'air aspiré par un conduit jusqu'à l'extérieur - ne pas décharger l'air aspiré dans un espace vide du bâtiment comme une cavité murale, un plafond, un grenier, un vide sanitaire ou un garage.

AVERTISSEMENT : POUR RÉDUIRE LE RISQUE D'INCENDIE, UTILISER UNIQUEMENT DES CONDUITS MÉTALLIQUES.

AVERTISSEMENT : POUR MINIMISER LE RISQUE D'UN FEU DE GRAISSE SUR LA CUISINIÈRE :

- Ne jamais laisser un élément de surface fonctionner à puissance de chauffage maximale sans surveillance. Un renversement/débordement de matière grasseuse pourrait provoquer une inflammation et la génération de fumée. Utiliser une puissance de chauffage moyenne ou basse pour le chauffage d'huile.
- Veiller à toujours faire fonctionner le ventilateur de la hotte lors de la cuisson avec une puissance de chauffage élevée ou lors de la cuisson d'un mets à flamber (à savoir crêpes Suzette, cerise jubilé, steak au poivre flambé).
- Nettoyer fréquemment les ventilateurs d'extraction. Veiller à ne pas laisser la graisse s'accumuler sur les surfaces du ventilateur ou des filtres.
- Utiliser toujours un ustensile de taille appropriée. Utiliser toujours un ustensile adapté à la taille de l'élément chauffant.

AVERTISSEMENT : POUR RÉDUIRE LE RISQUE DE DOMMAGES CORPORELS APRÈS LE DÉCLENCHEMENT D'UN FEU DE GRAISSE SUR LA CUISINIÈRE, APPLIQUER LES RECOMMANDATIONS SUIVANTES :^a

- Placer sur le récipient un couvercle bien ajusté, une tôle à biscuits ou un plateau métallique **POUR ÉTOUFFER LES FLAMMES**, puis éteindre le brûleur. **VEILLER À ÉVITER LES BRÛLURES**. Si les flammes ne s'éteignent pas immédiatement, **ÉVACUER LA PIÈCE ET APPELER LES POMPIERS**.
- **NE JAMAIS PRENDRE EN MAIN UN RÉCIPENT ENFLAMMÉ** - vous risquez de vous brûler.
- **NE PAS UTILISER D'EAU**, ni un torchon humide - ceci pourrait provoquer une explosion de vapeur brûlante.
- Utiliser un extincteur **SEULEMENT** si :
 - Il s'agit d'un extincteur de classe ABC, dont on connaît le fonctionnement.
 - Il s'agit d'un petit feu encore limité à l'endroit où il s'est déclaré.
 - Les pompiers ont été contactés.
 - Il est possible de garder le dos orienté vers une sortie pendant l'opération de lutte contre le feu.

^aRecommandations tirées des conseils de sécurité en cas d'incendie de cuisine publiés par la NFPA.

- **AVERTISSEMENT :** Pour réduire le risque d'incendie ou de choc électrique, ne pas utiliser ce ventilateur avec un quelconque dispositif de réglage de la vitesse à semi-conducteurs.

LIRE ET CONSERVER CES INSTRUCTIONS

EXIGENCES D'INSTALLATION

Outils et pièces

Rassembler les outils et pièces nécessaires avant d'entreprendre l'installation. Lire et observer les instructions fournies avec chacun des outils de la liste ci-dessous.

Outillage nécessaire

- Scie sauteuse ou scie à guichet
- Perceuse
- Foret de 1/8" (3 mm) pour avant-trous
- Crayon
- Mètre-ruban ou règle
- Tournevis à lame plate
- Tournevis Phillips
- Tourne-écrou de 3/8" (9,5 mm)
- Niveau
- Pince
- Cisaille de ferblantier
- Pince à dénuder ou couteau utilitaire
- Pistolet à calfeutrage et composé de calfeutrage résistant aux intempéries

Pièces fournies

- Garniture supérieure—acier inoxydable
- Embouts (2)
- Pieds de soutien inférieurs (2)
- Brides de montage (au-dessous du plan de travail) (2)
- Vis de 4 x 8 mm (16)
- Vis de 3,5 x 9,5 mm (3)
- Clapet anti-reflux rectangulaire de 3 1/4" x 10" (8,3 x 25,4 cm)
- Caisse du moteur de 4 3/4" (12,0 cm)
- Couvercle d'épaisseur 1/4" (6,4 mm)
- Cache-conduit d'évacuation plat
- Raccord de transition 6" (15,2 cm) de diamètre, avec clapet

Pièces nécessaires

- Connecteur de conduit (homologation UL ou CSA) de 1/2" (12,7 mm)
- Bouche de décharge murale ou à travers le toit avec clapet correspondant au système d'évacuation
- Conduit d'évacuation
- Câble d'alimentation électrique du domicile
- Connecteurs de fils homologués UL (3)
- Brides de conduit/ruban adhésif selon le besoin

Exigences d'emplacement

REMARQUE : Le système d'extraction par le bas est installé directement derrière la table de cuisson. Installer d'abord le système d'extraction par le bas, puis la table de cuisson.

IMPORTANT : Observer les dispositions de tous les codes et règlements en vigueur.

- Demander à un technicien qualifié d'installer le système d'extraction par le bas. C'est à l'installateur qu'incombe la responsabilité de respecter les distances de séparation exigées, spécifiées sur la plaque signalétique de l'appareil. La plaque signalétique est située à l'avant de l'appareil, au-dessus du couvercle du boîtier de connexion.
- Le système d'extraction par le bas doit être installé à l'écart des zones de forts courants d'air, telles que fenêtres, portes et événements ou ventilateurs de chauffage.
- Respecter les dimensions indiquées pour les ouvertures à découper dans les placards. Ces dimensions tiennent compte des valeurs minimales des dégagements de séparation.
- Avant d'effectuer des coupes, consulter les instructions d'installation fournies par le fabricant de la table de cuisson.

Vérifier qu'à l'emplacement d'installation, le système d'extraction par le bas et la table de cuisson ne produiront pas d'interférence avec les parois des placards, panneaux anti-éclaboussure et poteaux du colombage mural à l'arrière à l'intérieur du placard.

Vérifier le respect de la distance minimale entre le bord avant du plan de travail et le bord avant de la table de cuisson. La distance minimale de séparation horizontale entre les placards muraux est identique à la largeur du système d'extraction installé.

- Assurer l'étanchéité au niveau de chaque ouverture découpée dans le plafond ou le mur pour l'installation du système d'extraction par le bas.
- On doit disposer d'une prise de courant électrique reliée à la terre. Voir la section "Spécifications électriques".
- Pour l'installation du système d'extraction par le bas, il sera nécessaire d'enlever le tiroir du placard et d'installer à demeure une façade de tiroir sur le placard.

Configuration du placard :

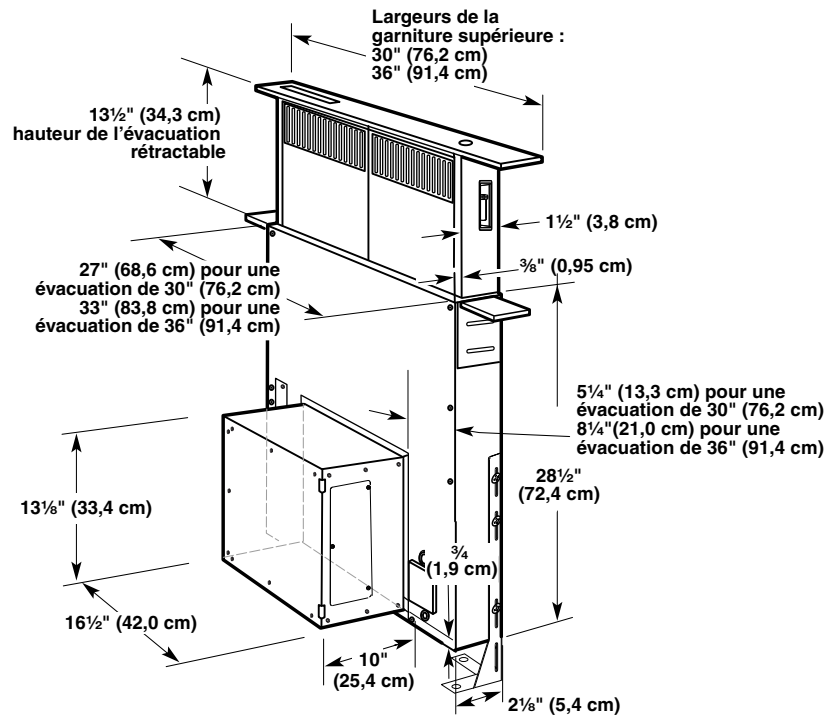
Le système d'extraction par le bas est conçu pour une utilisation dans un placard de profondeur 24" (61 cm). Certaines installations nécessitent un plan de travail de profondeur supérieure à 25" (63,5 cm). Voir le tableau de dimensions de découpage pour plan de travail.

La profondeur maximale du placard mural est de 13" (33 cm). Les placards muraux installés à côté du système d'extraction par le bas doivent se trouver à 18" (45,7 cm) au-dessus de la surface de cuisson.

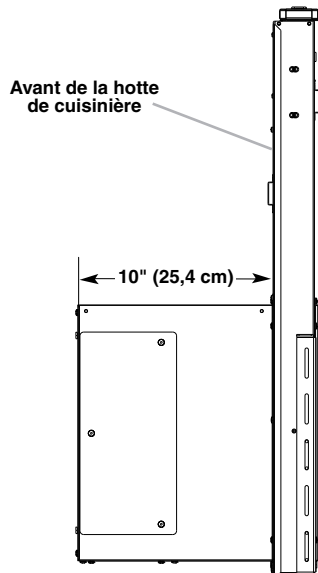
Installation dans une résidence mobile

L'installation de ce système d'extraction par le bas doit satisfaire aux exigences de la norme Manufactured Home Construction Safety Standards, Titre 24 CFR, partie 328 (anciennement Federal Standard for Mobile Home Construction and Safety, titre 24, HUD, partie 280); lorsque cette norme n'est pas applicable, l'installation doit satisfaire aux critères de la plus récente édition de la norme Manufactured Home Installation 1982 (Manufactured Home Sites, Communities and Setups) ANSI A225.1/NFPA 501A, ou des codes locaux.

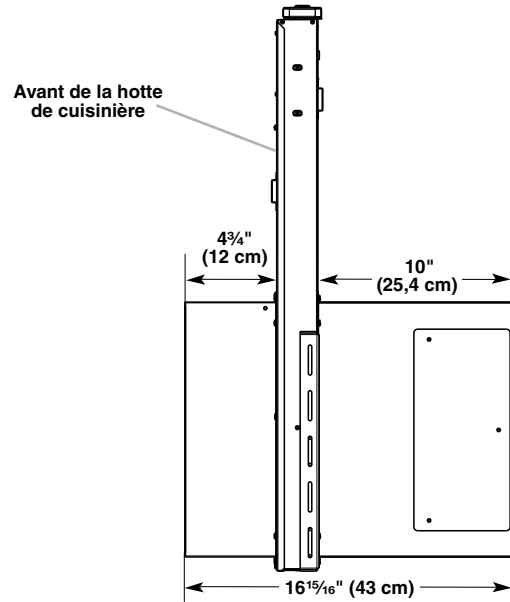
Dimensions du produit



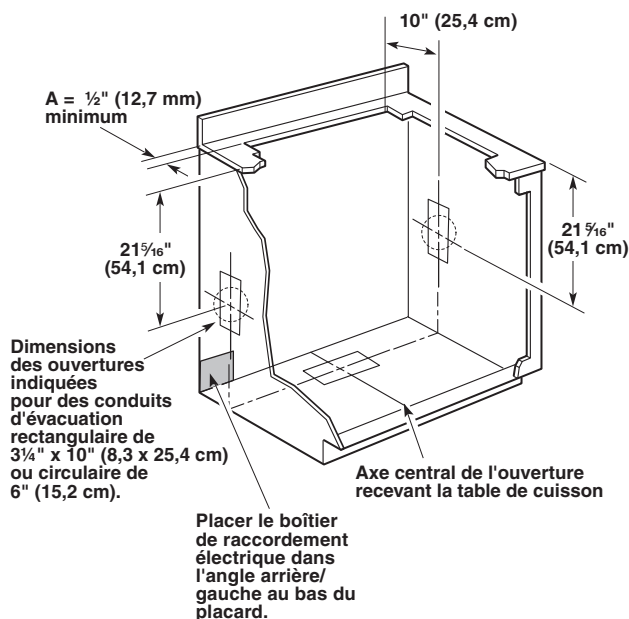
Ventilateur monté d'origine



Ventilateur inversé



Dimensions du placard



REMARQUES :

- Pour les dimensions de l'ouverture recevant la table de cuisson, voir les instructions du fabricant de la table de cuisson (profondeur et largeur).
- Pour les ouvertures découpées pour le circuit d'évacuation, utiliser les dimensions applicables à la situation d'installation.
- Circuits d'évacuation avec ventilateur monté à l'intérieur et raccordé au conduit d'évacuation rectangulaire de 3 1/4" x 10" (8,3 x 25,4 cm) ou circulaire de 6" (15,2 cm). Pour cette configuration, l'emplacement des ouvertures à découper dépend de la configuration d'installation spécifique.

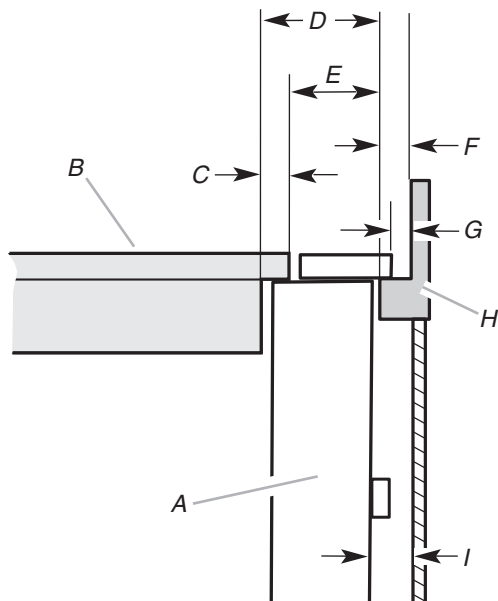
Plan de travail—Dimensions des ouvertures à découper

IMPORTANT : Les plans de travail avec rebord avant arrondi ne sont pas recommandés pour ces installations.

Certains modèles nécessitent un plan de travail de plus de 25" (63,5 cm) de large; voir le tableau des dimensions de l'ouverture du plan de travail.

Pour éviter une erreur, avant de découper une ouverture, il est recommandé de tracer le périmètre de la table de cuisson et des ouvertures à découper sur le plan de travail.

Pour les dimensions des ouvertures, la position des ouvertures et le détail des installations, voir les instructions d'installation de la table de cuisson.



A. Système d'extraction par le bas

B. Table de cuisson

C. Dimension du dépassement arrière de la table de cuisson.

D. D = Dimension du dépassement arrière de la table de cuisson (C) + 1 13/16" [46,2 mm] (E)

E. 1 13/16" (46,2 mm)

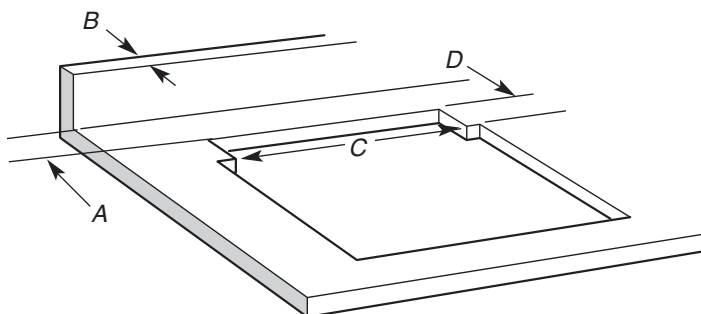
F. 1/2" (12,7 mm) minimum

G. 1/4" (6,4 mm) minimum

H. Plan de travail et panneau anti-éclaboussure

I. 1/2" (12,7 mm) minimum

Tableau des dimensions de l'ouverture du plan de travail



A. $\frac{1}{2}$ " (12,7 mm) min. jusqu'au panneau anti-éclaboussure ou mur arrière
B. $\frac{3}{4}$ " (19,1 mm) maximum pour la profondeur du panneau anti-éclaboussure

C. $27\frac{1}{2}$ " (69,9 cm) sur les modèles de 30" (76,2 cm) $33\frac{1}{2}$ " (85,9 cm) sur les modèles de 36" (91,4 cm)
D. D = Dimension du dépassement arrière de la table de cuisson + $1\frac{13}{16}$ " (46,2 mm)

Spécifications électriques

Observer les dispositions de tous les codes et règlements en vigueur.

S'assurer que l'installation électrique est correcte et qu'elle satisfait aux exigences de la plus récente édition de la norme National Electrical Code, ANSI/NFPA 70, ou de la norme CSA C22. 1-94, Code canadien de l'électricité, partie 1 et C22.2 No 0-M91 (dernière édition) et de tous les codes et règlements en vigueur.

Si les codes le permettent et si l'on utilise un conducteur distinct de liaison à la terre, il est recommandé qu'un électricien qualifié vérifie la qualité de la liaison à la terre.

Pour obtenir un exemplaire des normes des codes ci-dessus, contacter :

National Fire Protection Association
1 Batterymarch Park
Quincy, MA 02169-7471

CSA International
8501 East Pleasant Valley Road
Cleveland, OH 44131-5575

- L'appareil doit être alimenté par un circuit de 120 V, CA seulement, 60 Hz, 15 ampères, protégé par fusible.
- Si le domicile possède un câblage en aluminium, suivre la procédure ci-dessous :

1. Raccorder une section de câble en cuivre massif aux conducteurs en queue de cochon.
2. Connecter le câblage en aluminium à la section ajoutée de câblage en cuivre en utilisant des connecteurs et/ou des outils spécialement conçus et homologués UL pour fixer le cuivre à l'aluminium.

Suivre la procédure recommandée par le fabricant de connecteurs électriques. La connexion aluminium/cuivre doit être conforme aux codes locaux et aux pratiques de câblage acceptées par l'industrie.

- Le calibre des conducteurs et les connexions doivent être compatibles avec les caractéristiques électriques de l'appareil spécifiées sur la plaque signalétique. La plaque signalétique est située à l'avant du conduit d'aspiration par le bas, au-dessus du couvercle du boîtier de connexion.
- Le calibre des conducteurs doit être conforme aux exigences du National Electrical Code, de la plus récente édition de la norme ANSI/NFPA 70 ou des normes CSA C22. 1-94, Code canadien de l'électricité, partie 1 et C22.2 No. 0-M91 (édition la plus récente) et de tous les codes et règlements en vigueur.

Exigences concernant l'évacuation

IMPORTANT : Avant d'effectuer des découpes, s'assurer qu'il y a un dégagement convenable dans le mur ou le plancher pour le système d'extraction.

- Utiliser un conduit métallique rigide.
- Le système doit décharger l'air à l'extérieur.
- Ne pas terminer le système d'extraction dans un grenier ou dans un autre espace fermé.
- Ne pas utiliser une bouche de décharge murale de 4" (10,2 cm) normalement utilisée pour un équipement de buanderie.
- Ne pas connecter 2 coudes ensemble.
- Ne pas utiliser un conduit de plastique ou en métal flexible.
- La longueur du système d'évacuation et le nombre de coudes doivent être réduits au minimum pour l'obtention de la meilleure performance.
- Ne pas utiliser plus de trois coudes à 90°.
- Veiller à incorporer une section de conduit rectiligne d'au moins 24" (61 cm) entre deux raccords coudés adjacents.
- Au niveau de chaque jointure du système d'extraction, assurer l'étanchéité avec les brides de serrage pour conduit ou du ruban adhésif pour conduit.
- Autour de la bouche de décharge murale ou par le plancher à l'extérieur, assurer l'étanchéité avec un produit de calfeutrage.
- Ne pas couper une solive ou un poteau du colombage. Si le point de passage d'un système d'extraction correspond à la position d'un poteau du colombage ou d'une solive, on doit réaliser une structure de support appropriée.

On déconseille l'emploi d'un conduit en métal flexible. Si un conduit de ce type doit être utilisé, on doit tenir compte du fait que chaque pied de conduit flexible compte comme 2 pi (0,6 m) de conduit rigide métallique.

Un raccord coudé flexible compte comme deux raccords coudés standard.

Longueur recommandée pour le système d'extraction :

Pour une configuration avec ventilateur monté à l'intérieur ou monté à l'extérieur, la longueur du système d'extraction ne doit pas être supérieure à la valeur maximum indiquée au tableau Longueur maximum du système d'extraction. Voir "Calcul de la longueur du système d'extraction" à la section "Méthodes d'extraction" des Instructions d'installation.

Installations dans les régions au climat froid

On doit installer un clapet anti-retour supplémentaire à l'arrière pour minimiser le reflux d'air froid et incorporer un élément d'isolation thermique pour minimiser la conduction de chaleur par l'intermédiaire du conduit d'évacuation, de l'intérieur de la maison à l'extérieur. Le clapet anti-retour doit être placé du côté air froid de la résistance thermique.

L'élément d'isolation thermique doit être aussi proche que possible de l'endroit où le circuit d'évacuation s'introduit dans la partie chauffée de la maison.

Air d'appoint

Le code du bâtiment local peut exiger l'emploi d'un système d'appoint d'air lors de l'emploi d'un ventilateur d'extraction dont la capacité d'aspiration est supérieure à un débit (pieds cubes par minute) spécifié. Le débit spécifié en pieds cubes par minute varie d'une juridiction à l'autre. Consulter un professionnel des installations de chauffage ventilation/climatisation au sujet des exigences spécifiques applicables dans la juridiction locale.

INSTRUCTIONS D'INSTALLATION

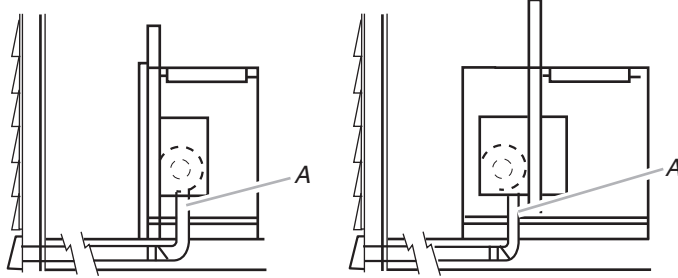
Méthodes d'évacuation

Déterminer la méthode d'évacuation la plus appropriée. La sortie à l'extérieur du circuit d'évacuation peut se faire à travers le plancher ou à travers un mur.

Configuration en îlot

Ventilateur monté à l'avant (standard)

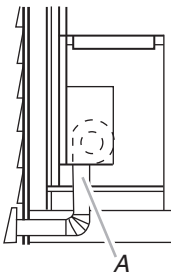
Ventilateur monté à l'arrière



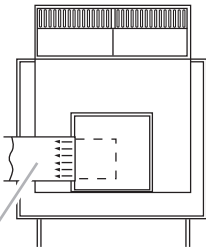
A. Évacuation vers le bas

REMARQUE : Pour les configurations en îlot, un ventilateur monté à l'avant ou à l'arrière peut également évacuer à droite ou à gauche en fonction de la configuration. La plupart des configurations en îlot imposent une évacuation dirigée vers le bas à travers le plancher.

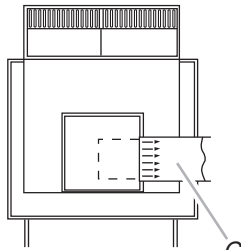
Configuration avec encastrement



A



B

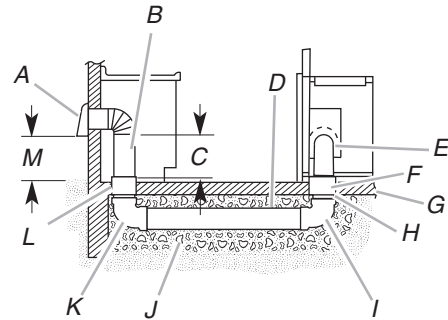


C

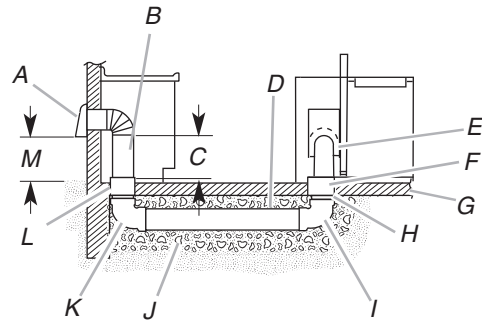
A. Évacuation vers le bas
B. Évacuation à gauche
C. Évacuation à droite

Configuration en îlot – Circuit d'évacuation installé sous une dalle de béton (utilisation de conduit de PVC pour égout)

Ventilateur monté à l'avant (standard)



Ventilateur monté à l'arrière



- A. Bouche de décharge murale
- B. Conduit métallique rond de dia. 6" (15,2 cm)
- C. 16" (40,6 cm) maximum
- D. Conduit PVC dia. 6" (15,2 cm) (pour égout)
- E. Raccord de transition métallique de dia. 6" (15,2 cm) avec clapet (fourni)
- F. Raccord PVC de dia. 6" (15,2 cm)
- G. Dalle de béton
- H. Conduit PVC pour égout de dia. 6" (15,2 cm)
- I. Coude à 90° en PVC pour égout de dia. 6" (15,2 cm)
- J. Gravier ou sable compacté tout autour du tuyau
- K. Raccord coudé 90° PVC dia. 6" (15,2 cm) (pour égout)
- L. Raccord PVC de dia. 6" (15,2 cm)
- M. 12" (30,5 cm) minimum

Calcul de la longueur effective du circuit d'évacuation

Un conduit rectangulaire de 3¼" x 10" (8,3 x 25,4 cm) est nécessaire pour la caisse du ventilateur. Il peut être raccordé à un conduit rond de 6" (15,2 cm) si nécessaire.

Longueur maximum du circuit d'évacuation

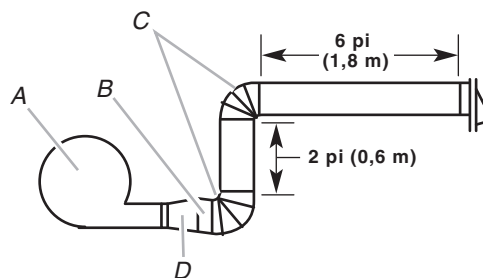
Conduit d'évacuation	Longueur
Conduit dia. 6" (15,2 cm)	35 pi (8,9 m)
3¼" x 10" (8,3 cm x 25,4 cm)	35 pi (8,9 m)

Pour calculer la longueur effective du circuit d'évacuation nécessaire, additionner les longueurs équivalentes (en pieds ou mètres) de tous les composants utilisés dans le circuit.

Composant	Rectangulaire de 3¼" x 10" (8,3 cm x 25,4 cm)	
Raccord coudé à 90° de 3¼" x 10" (8,3 cm x 25,4 cm)	5,0 pi (1,5 m)	
Coude plat de 3¼" x 10" (8,3 cm x 25,4 cm)	12 pi (3,7 m)	
Bouche de décharge murale de 3¼" x 10" (8,3 cm x 25,4 cm)	0 pi (0 m)	

Composant	Conduit dia. 6" (15,2 cm)	
Coude à 45°	2,5 pi (0,8 m)	
Coude à 90°	5,0 pi (1,5 m)	
Bouche de décharge murale de 6" (15,2 cm)	0 pi (0 m)	
Raccord de transition de 3¼" x 10" (8,3 cm x 25,4 cm) vers 6" (15,2 cm)	4,5 pi (1,4 m)	
Raccord de transition de 6" (15,2 cm) vers 3¼" x 10" (8,3 cm x 25,4 cm)	1 pi (0,3 m)	
Raccord coudé à 90° de 3¼" x 10" (8,3 cm x 25,4 cm) vers 6" (15,2 cm)	5,0 pi (1,5 m)	
Raccord coudé à 90° de 6" (15,2 cm) vers 3¼" x 10" (8,3 cm x 25,4 cm)	5,0 pi (1,5 m)	

Exemple de circuit d'évacuation



A. Moteur du ventilateur
B. Raccord de transition
C. Coudes à 90°
D. Clapet anti-retour

Dans l'exemple suivant, la longueur effective du circuit est inférieure au maximum de 35 pi (8,9 m).

2 coudes à 90°	= 10 pi (3 m)
1 bouche de décharge murale	= 0 pi (0 m)
Section droite de 8 pi (2,4 m)	= 8 pi (2,4 m)
Raccord de transition	= 4,5 pi (1,4 cm)
Longueur d'un circuit de 6" (15,2 cm) ou 3¼" x 10" (8,3 cm x 25,4 cm)	= 22,5 pi (6,8 m)

Installation du conduit d'évacuation

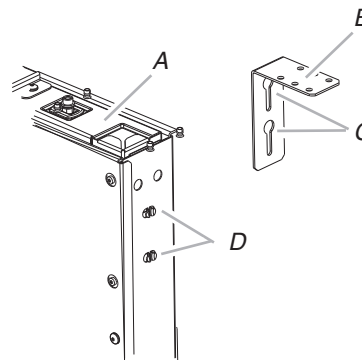
⚠ AVERTISSEMENT

Risque du poids excessif

Utiliser deux ou plus de personnes pour déplacer et installer le système d'extraction.

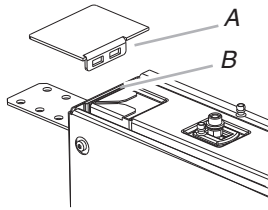
Le non-respect de cette instruction peut causer une blessure au dos ou d'autre blessure.

1. Placer une feuille de carton ou matériau similaire sur une surface plane, où on pourra facilement assembler le système d'extraction par le bas.
2. Déballez les ensembles de pièces, le système d'extraction par le bas et le ventilateur.
3. Enlever tous les matériaux d'emballage, ruban adhésif et film protégeant l'appareil et le ventilateur.
4. Installer sur la caisse du système d'extraction les équerres droite et gauche de montage sous le plan de travail. Insérer les encoches en trou de serrure dans les languettes guides et pousser les équerres vers le haut pour les fixer.



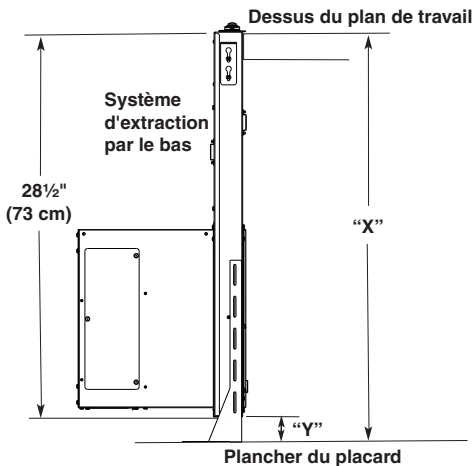
A. Caisse du système d'extraction
B. Équerre de montage sous le plan de travail
C. Encoches en trou de serrure
D. Languettes guides

5. Fixer les embouts à droite et à gauche sur la caisse du système d'extraction. Placer la languette dans la rainure de montage à chaque extrémité de la caisse du système d'extraction par le bas comme illustré et l'emboîter en la poussant vers le bas.

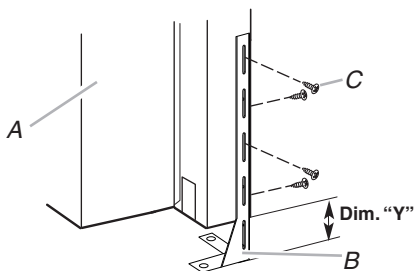


A. Languette de l'embout
B. Rainure de montage

6. Mesurer la distance "X" entre le sol et le dessus du plan de travail. Soustraire 28½" de la distance "X" pour déterminer la distance "Y" ($X - 28\frac{1}{2} = Y$).



7. Fixer les pieds de soutien aux côtés de la caisse du système d'extraction avec 4 vis de 4 x 8 mm pour chacun. Les régler à la distance "Y" entre le bas de la caisse du système d'extraction et le bas des pieds de soutien. Serrer les vis.



A. Caisse du moteur
B. Pied de soutien
C. Vis de 4 x 8 mm (4)

Déterminer la meilleure orientation de l'évacuation pour l'installation.

Dans le cas d'une installation dans un placard, l'évacuation du système d'extraction peut se faire par le bas, par le côté gauche ou par le côté droit du placard.

IMPORTANT : En cas d'utilisation du raccord de transition de 6" (15,2 cm) fourni pour un conduit rond de 6", seule une évacuation par la gauche ou par la droite est recommandée.

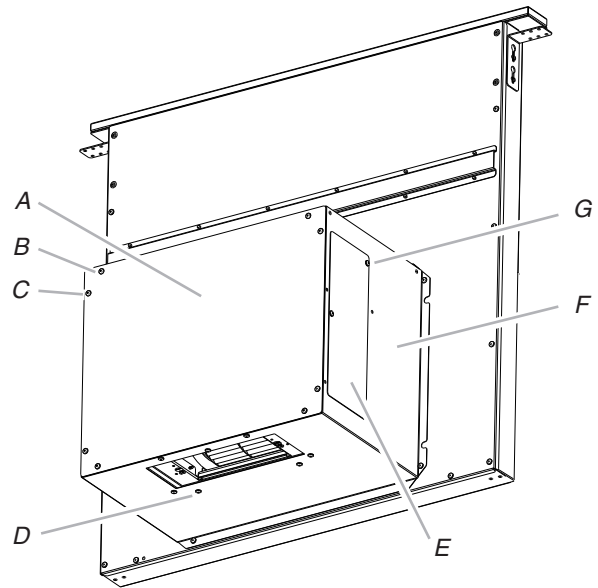
Évacuation par le bas :

REMARQUE : Si le clapet anti-retour est monté vers le bas, une bouche de décharge murale ou à travers le toit équipée d'un clapet est nécessaire à l'extrémité du circuit d'évacuation.

- Le système d'extraction par le bas est livré avec le ventilateur en position pour une évacuation par le bas; par conséquent aucune modification n'est nécessaire.
- S'il n'est pas nécessaire que le ventilateur soit monté à l'arrière, passer à la section "Achever l'installation".
- Pour monter le ventilateur à l'arrière de la caisse du système d'extraction, passer à la section "Montage du ventilateur à l'arrière".

Sortie par le côté gauche ou le côté droit :

1. À deux personnes ou plus, poser l'arrière du système d'extraction par le bas face au sol.
2. Retirer les 4 vis du couvercle monté à l'avant de la caisse du moteur et les mettre de côté.



A. Couvercle
B. Vis du couvercle (4)
C. Vis à épaulement pour encoches en trou de serrure du couvercle (4)
D. Vis de montage du moteur (4)
E. Couvercle de l'évacuation
F. Caisse du moteur
G. Vis du couvercle de l'évacuation (3)

3. Faire glisser le couvercle vers le haut et le sortir des vis à épaulement pour encoches en trou de serrure. Mettre le couvercle de côté.

4. Retirer les 4 vis du bas de la caisse du moteur qui maintiennent le moteur à la caisse.

REMARQUE : Débrancher le câblage électrique du moteur si nécessaire.

5. Retirer les 3 vis et le couvercle de l'évacuation à gauche ou à droite de la caisse du moteur, en fonction de l'orientation à utiliser pour l'évacuation.

6. Faire pivoter le moteur du ventilateur de 90° à droite ou à gauche selon l'orientation d'évacuation choisie et le fixer à la caisse du moteur avec les vis de montage du moteur retirées précédemment. Ne pas tordre ou plier le câblage.

7. Fixer le couvercle de l'évacuation sur l'ouverture rectangulaire au bas de la caisse du moteur à l'aide des vis correspondantes.

REMARQUE : Rebrancher le câblage électrique du moteur s'il a été retiré.

8. Remonter le couvercle de la caisse du moteur à l'aide des 4 vis précédemment retirées.

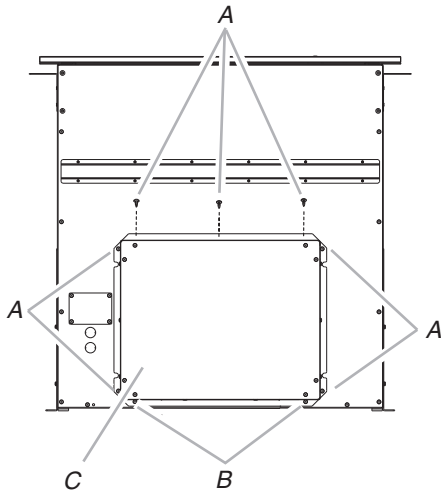
9. Pour monter le ventilateur à l'arrière de la caisse du système d'extraction, passer à la section "Montage du ventilateur à l'arrière". Sinon, passer à la section "Achever l'installation".

Montage du ventilateur à l'arrière

REMARQUE : Position de montage du ventilateur à l'arrière (côté opposé) possible pour les configurations en îlot. On peut déplacer la caisse du moteur du ventilateur du côté opposé (arrière) de la caisse du système d'extraction.

1. Ôter les 7 vis des rebords de montage de la caisse du ventilateur.

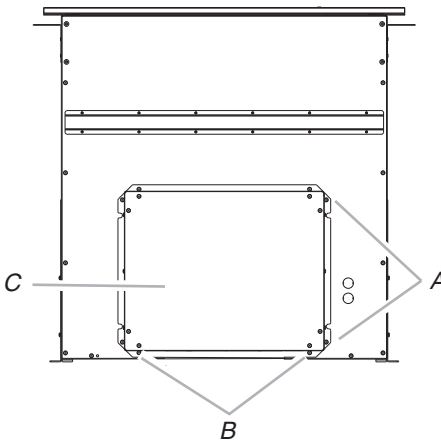
Vue de face



- A. Vis (7)
- B. Vis à épaulement pour encoches en trou de serrure (2)
- C. Caisse du ventilateur

2. Soulever la caisse du ventilateur et la sortir des vis à épaulement dans les encoches en trou de serrure. Débrancher le câblage du ventilateur et mettre de côté la caisse du ventilateur.
3. Ôter les 6 vis du rebord de montage du couvercle d'épaisseur $\frac{1}{4}$ " (6,4 mm).

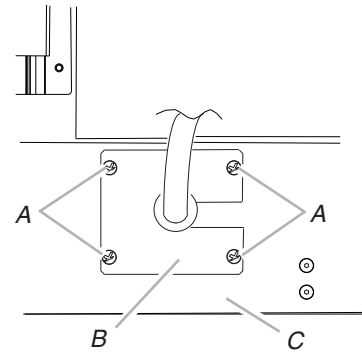
Vue arrière



- A. Vis (6)
- B. Vis à épaulement pour encoches en trou de serrure (2)
- C. Couvercle d'épaisseur $\frac{1}{4}$ " (6,4 mm)

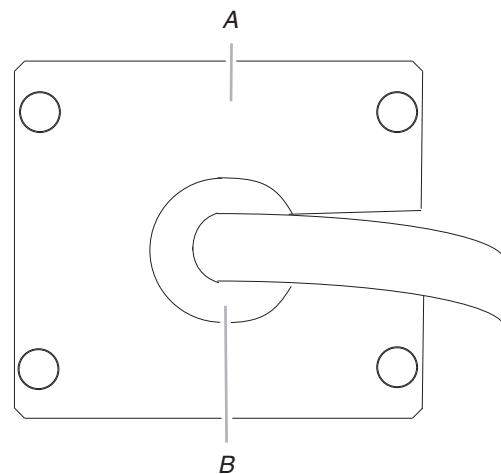
4. Lever le couvercle d'épaisseur $\frac{1}{4}$ " (6,4 mm) pour le sortir des vis à épaulement dans les encoches en trou de serrure et le mettre de côté.

5. Retirer les vis de la platine de montage du câble.



- A. Vis
- B. Platine de montage du câble
- C. Caisse du ventilateur

6. En maintenant la platine de montage du câble, sortir l'œillet.



- A. Platine de montage du câble
- B. Œillet

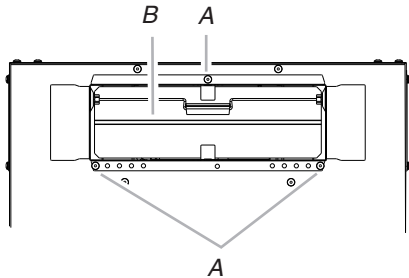
7. Faire glisser le câblage par la fente de la platine de montage du câble pour le retirer.
8. Placer le câblage par l'ouverture de l'autre côté de la caisse du système d'extraction.
9. Replacer le câblage et l'œillet dans la platine de montage du câble.
10. Installer la platine de montage du câble dans la caisse du système d'extraction à l'aide des 4 vis précédemment retirées.
11. Placer les encoches en trou de serrure de la caisse du ventilateur sur les 2 vis à épaulement à l'arrière de la caisse du système d'extraction et rebrancher le câblage au ventilateur.
12. Monter la caisse du ventilateur sur la caisse du système d'extraction et la fixer à l'aide des 6 vis précédemment retirées.
13. Monter le couvercle de $4\frac{3}{4}$ " (12,0 cm) (fourni) à l'avant de la caisse du système d'extraction. Placer les encoches en trou de serrure par-dessus les 2 vis à épaulement, aligner les trous de montage et fixer le couvercle à la caisse du système d'extraction à l'aide des 6 vis précédemment retirées du couvercle d'épaisseur $\frac{1}{4}$ " (6,4 mm).
14. Passer à la section "Achever l'installation".

Achever l'installation

REMARQUE : Le système d'extraction par le bas est livré avec un clapet anti-retour de 3/4" x 10" (8,3 x 25,4 cm) et un raccord de transition pour conduit rond de 6" (15,2 cm) avec clapet. Se reporter à la section "Clapet anti-retour de 3/4" x 10" (8,3 x 25,4 cm)" ou "Raccord de transition pour conduit rond de 6" (15,2 cm) avec clapet", selon le type de circuit d'évacuation utilisé.

Clapet anti-retour de 3/4" x 10" (8,3 x 25,4 cm)

1. Fixer le clapet anti-retour de 3/4" x 10" (8,3 x 25,4 cm) à l'ouverture d'évacuation de la caisse du ventilateur à l'aide de trois vis de 3,5 x 9,5 mm.

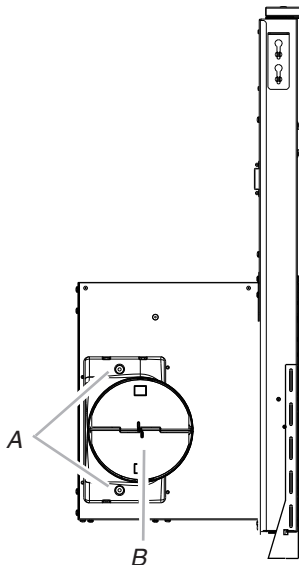


A. Vis de 3,5 x 9,5 mm

B. Clapet anti-retour de 3/4" x 10" (8,3 x 25,4 cm)

Raccord de transition rond de 6" (15,2 cm) avec clapet

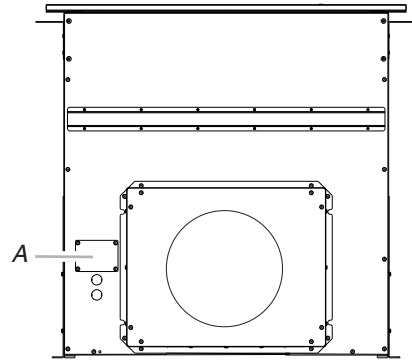
1. Fixer le raccord de transition rond de 6" (15,2 cm) à l'ouverture d'évacuation (seule une évacuation par le côté droit ou gauche est recommandée) à l'aide de deux vis de 3,5 x 9,5 mm.



A. Vis de 3,5 x 9,5 mm

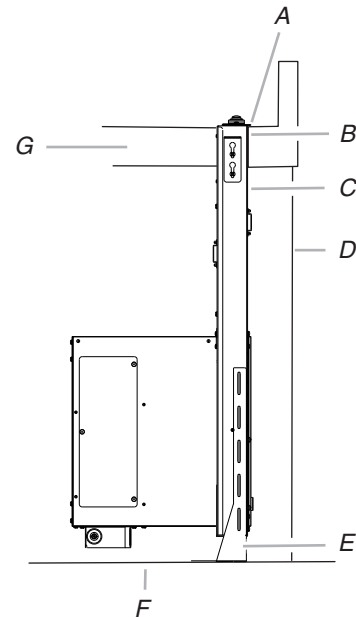
B. Raccord de transition rond de 6" (15,2 cm) avec clapet

2. Ôter les 4 vis du couvercle du boîtier de connexion.



A. Couvercle du boîtier de connexion

3. Déterminer par quel côté (avant ou arrière) le câble d'alimentation domestique entre dans le boîtier de connexion. Ôter l'opercule approprié du panneau avant ou arrière et installer un connecteur de conduit de 1/2" (12,7 mm) homologué UL ou CSA.
4. À 2 personnes ou plus, insérer le système d'extraction par le bas dans l'ouverture découpée dans le plan de travail. Centrer le système d'extraction par le bas dans la découpe, son rebord arrière par-dessus l'arête de la découpe et l'arrière du système contre l'arête de la découpe.



A. Rebord arrière du système d'extraction par le bas

B. Arête de la découpe du plan de travail

C. Arrière du système d'extraction par le bas

D. Arrière du placard

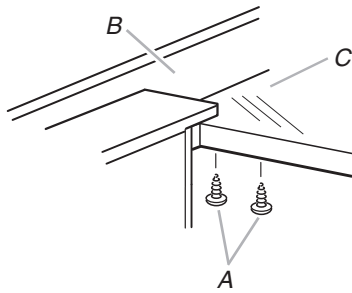
E. Pied de soutien inférieur

F. Plancher du placard

G. Plan de travail

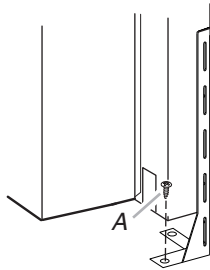
- Percer 2 avant-trous à travers les équerres de fixation sous le plan de travail, dans la face inférieure du plan de travail. Avec 2 vis (non fournies) de la longueur adéquate, fixer les équerres au plan de travail.

IMPORTANT : Choisir des vis d'une longueur adéquate pour ne pas traverser le plan de travail au serrage.



A. Vis
B. Panneau anti-éclaboussure
C. Plan de travail

- Établir l'aplomb vertical de l'appareil. Desserrer les vis des pieds de soutien inférieurs et régler les pieds de soutien en appui sur le plancher du placard.
- Fixer les pieds de soutien inférieurs de l'appareil sur le plancher du placard avec des vis (non fournies).



A. Vis (non fournie)

- Serrer les vis des pieds de soutien.

Raccordements électriques

⚠ AVERTISSEMENT



Risque de choc électrique

Déconnecter la source de courant électrique avant l'entretien.

Replacer pièces et panneaux avant de faire la remise en marche.

Le non-respect de ces instructions peut causer un décès ou un choc électrique.

- Déconnecter la source de courant électrique.
- Faire passer le câble d'alimentation à travers le connecteur de conduit et dans le boîtier de connexion.

⚠ AVERTISSEMENT



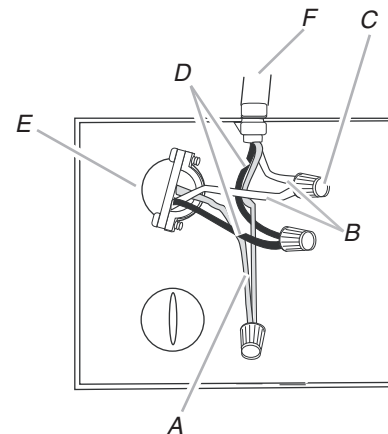
Risque de choc électrique

Relier le ventilateur à la terre.

Brancher le fil relié à la terre au fil vert et jaune relié à la terre dans la boîte de la borne.

Le non-respect de ces instructions peut causer un décès ou un choc électrique.

- Connecter le conducteur de terre vert (ou vert/jaune) au conducteur de terre vert ou jaune/vert à l'aide de connecteurs de fils homologués UL. Serrer la vis sur le connecteur de conduit.
- Raccorder les 2 conducteurs blancs avec les connecteurs de fils (homologation UL).



A. Conducteur de terre vert ou vert et jaune

B. Conducteurs blancs

C. Connecteurs de fils (homologation UL)

D. Conducteurs noirs

E. Connecteur de conduit (homologation UL ou CSA)

F. Câblage du système d'extraction par le bas

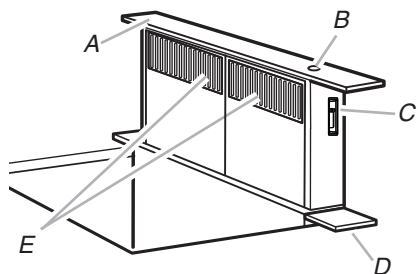
- Raccorder les 2 conducteurs noirs avec des connecteurs de fils (homologation UL).
- Réinstaller le couvercle du boîtier de connexion et le fixer avec la vis.
- Reconnecter la source de courant électrique.

Contrôle du fonctionnement

1. Appuyer pendant quelques secondes sur le bouton au sommet du système d'extraction par le bas. La partie rétractable du système d'extraction par le bas se soulève, et le ventilateur se met en marche. Positionner la garniture supérieure sur la section rétractable; emboîter la garniture en place.

On peut trouver chez le revendeur local des ensembles de garniture assortis à la couleur de la table de cuisson.

Pour des renseignements sur la commande, voir la section "Assistance ou service".



A. Garniture supérieure
B. Bouton ON/OFF
(marche/arrêt)

C. Curseur de commande du ventilateur
D. Garniture d'extrémité
E. Filtres

2. Manœuvrer le curseur de commande sur le côté de l'appareil pour vérifier son fonctionnement et la vitesse du ventilateur.
3. Si le ventilateur ne se met pas en marche :
 - Vérifier que le(s) filtre(s) est/sont enfoncé(s) (aussi loin que possible).
 - Vérifier si le disjoncteur s'est déclenché ou si un fusible est grillé.
4. Connecter le circuit d'évacuation au ventilateur. Le circuit d'évacuation doit se terminer par une bouche de décharge (à travers le mur ou le toit). Utiliser du ruban adhésif pour conduits ou des brides pour assurer l'étanchéité de tous les raccords.
5. Installer la table de cuisson conformément aux instructions du fabricant. Vérifier que l'arrière de la table de cuisson est en chevauchement de $\frac{3}{8}$ " (9,5 mm) sur le système d'extraction par le bas rétractable. Voir "Dimensions des ouvertures à découper dans le plan de travail", à la section "Exigences d'emplacement".

REMARQUE : Pour tirer le plus grand bénéfice du système d'extraction par le bas rétractable, lire la section "Utilisation du système d'extraction".

UTILISATION DU SYSTÈME D'EXTRACTION

Le système d'extraction par le bas rétractable sert à éliminer la fumée, les vapeurs de cuisson et les odeurs issues de la table de cuisson.

- Pour de meilleurs résultats, le système d'extraction doit être en marche avant d'entreprendre une cuisson.
- Lors de l'emploi d'un récipient de grande taille, le placer sur le grand brûleur ou élément chauffant à l'arrière.
- Lorsque le système d'extraction par le bas fonctionne, il peut être nécessaire d'employer une puissance de chauffage plus élevée.
- Pour les tables de cuisson à gaz, le système d'extraction rétractable pourrait affecter la stabilité de la flamme et les performances de cuisson. Pour améliorer les performances du brûleur, réduire la vitesse du système d'extraction rétractable ou augmenter le réglage de la flamme du brûleur de la table de cuisson.
- Pour les tables de cuisson à gaz dotées du système de rallumage par détection de flamme, le système d'extraction rétractable pourrait disperser la flamme et l'éloigner de l'allumeur à étincelles, ce qui pourrait pousser ce dernier à jeter des étincelles continuellement afin d'essayer de rallumer un brûleur qui est déjà allumé. Pour résoudre le problème de l'allumeur à étincelles qui jette des étincelles continuellement, diminuer la vitesse du système d'extraction rétractable ou augmenter le réglage de la flamme de la table de cuisson pour ce brûleur.

Utilisation du système d'extraction par le bas

Utilisation :

1. Appuyer pendant quelques secondes sur le bouton au sommet de l'appareil. (Ce léger délai permet d'éviter un soulèvement accidentel de la partie rétractable du système d'extraction par le bas lors du nettoyage de la table de cuisson.) La partie rétractable du système d'extraction par le bas se déploie. Le ventilateur se met en marche immédiatement si le curseur de commande du ventilateur est à la position de marche.
2. Régler la vitesse du ventilateur à l'aide du curseur de commande sur le côté droit du système d'extraction par le bas.

Lorsque la cuisson est terminée :

1. Appuyer sur le bouton situé au sommet du système d'extraction par le bas rétractable. Le ventilateur s'arrête; la partie rétractable revient à sa position fermée.

REMARQUE : Si du liquide renversé s'infiltré dans le système d'extraction par le bas, l'appareil doit être arrêté immédiatement. L'introduction d'un liquide (eau, etc.) dans le système d'extraction par le bas en fonctionnement peut endommager le système d'extraction par le bas.

2. Éteindre immédiatement le système d'extraction par le bas avec le bouton de réglage de la vitesse à droite de l'appareil.
3. Couper l'alimentation du système d'extraction par le bas au niveau du tableau de distribution (disjoncteur/fusible).
4. Laisser le système d'extraction par le bas sécher naturellement pendant une période suffisante. Ne pas ouvrir l'appareil pour éliminer l'eau.

ENTRETIEN DU SYSTÈME D'ÉVACUATION

Surface du système d'extraction par le bas

Pour éviter d'endommager la finition, nettoyer les surfaces avec de l'eau savonneuse. Ne pas utiliser une solution de récurage ou un produit abrasif.

Surfaces externes :

Afin d'éviter d'endommager la surface externe, ne pas utiliser de tampons en laine d'acier ou de tampons à récurer savonneux.

Toujours essuyer pour éviter de laisser des marques d'eau.

Méthode de nettoyage :

- Savon détergent liquide et eau, ou produit de nettoyage polyvalent.
- Frotter avec un chiffon doux humide ou une éponge non abrasive, puis rincer avec de l'eau propre et essuyer.

Filters

Enlever et nettoyer fréquemment le(s) filtre(s) de la section rétractable du système d'extraction par le bas. Ceci optimisera l'efficacité de fonctionnement.

Remplacement :

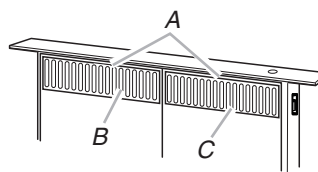
1. Retirer chaque filtre en tirant sur la poignée à ressort puis en tirant le filtre vers le bas.
2. Laver le(s) filtre(s) métallique(s) selon le besoin au lave-vaisselle ou avec une solution de détergent chaude.
3. Réinstaller le filtre en s'assurant que les poignées à ressort sont orientées vers l'avant. Insérer le filtre à graisse métallique dans la rainure supérieure.
4. Tirer vers le bas sur la poignée à ressort.
5. Pousser le filtre métallique vers le haut et relâcher la poignée pour l'emboîter.
6. Répéter les étapes 1 à 5 pour l'autre filtre.

Nettoyage :

1. Nettoyer le(s) filtre(s) au lave-vaisselle ou dans une solution de détergent chaude. Le système d'extraction par le bas ne fonctionne pas lorsque les filtres ne sont pas installés.
2. Faire sécher complètement le(s) filtre(s) avant de réinstaller; veiller à bien emboîter chaque filtre.

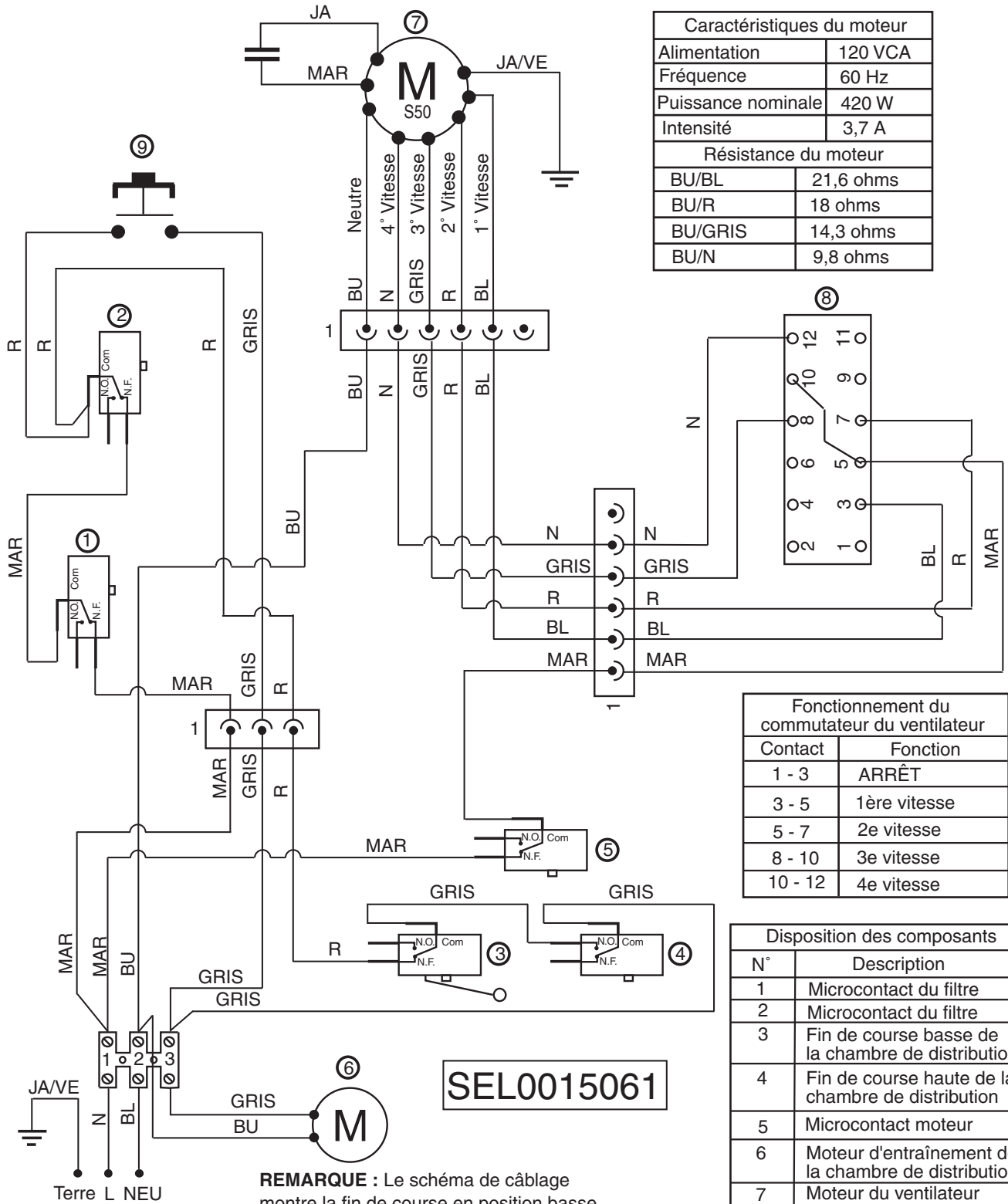
Si le système d'extraction par le bas ne fonctionne pas après l'installation des filtres propres :

Pousser le filtre aussi loin que possible. Lorsqu'on enlève le filtre, ceci désactive le microcontact placé derrière le filtre. Cette fonction empêche le système d'extraction de fonctionner tant que le filtre n'a pas été correctement réinstallé.



A. Poignées à ressort
B. Filtre métallique de gauche
C. Filtre métallique de droite

SCHÉMA DE CÂBLAGE



Caractéristiques du moteur	
Alimentation	120 VCA
Fréquence	60 Hz
Puissance nominale	420 W
Intensité	3,7 A
Résistance du moteur	
BU/BL	21,6 ohms
BU/R	18 ohms
BU/GRIS	14,3 ohms
BU/N	9,8 ohms

Fonctionnement du commutateur du ventilateur	
Contact	Fonction
1 - 3	ARRÊT
3 - 5	1ère vitesse
5 - 7	2e vitesse
8 - 10	3e vitesse
10 - 12	4e vitesse

Disposition des composants	
N°	Description
1	Microcontact du filtre
2	Microcontact du filtre
3	Fin de course basse de la chambre de distribution
4	Fin de course haute de la chambre de distribution
5	Microcontact moteur
6	Moteur d'entraînement de la chambre de distribution
7	Moteur du ventilateur
8	Contacteurs de vitesse du ventilateur
9	Bouton marche - montée/descente ch. distrib.

REMARQUE : Le schéma de câblage montre la fin de course en position basse.

SEL0015061

ASSISTANCE OU SERVICE

Lors d'un appel pour assistance ou service, veuillez connaître la date d'achat, le numéro de modèle et le numéro de série complets de l'appareil. Ces renseignements nous aideront à mieux répondre à votre demande.

Si vous avez besoin de pièces de rechange

Si vous avez besoin de commander des pièces de rechange, nous vous recommandons d'employer uniquement les pièces spécifiées par l'usine. Les pièces spécifiées par l'usine conviendront et fonctionneront bien parce qu'elles sont fabriquées avec la même précision utilisée dans la fabrication de chaque nouvel appareil. Pour localiser les pièces spécifiées par l'usine, dans votre région, nous appeler ou téléphoner au centre de service désigné le plus proche.

Au Canada

Téléphonez au marchand qui vous a vendu l'appareil ou téléphonez à Jenn-Air en composant le **1-800-807-6777** pour localiser une compagnie de service autorisée. Lors d'un appel, veuillez connaître la date d'achat et les numéros de modèle et de série complets de votre appareil. Assurez-vous de conserver la preuve d'achat pour vérifier les conditions de la garantie.

Si le marchand ou la compagnie de service ne peut pas résoudre votre problème, écrivez à :

Jenn-Air Brand Home Appliances
Customer eXperience Centre
200 - 6750 Century Ave
Mississauga, ON L5N 0B7

Adresse Internet : www.jennair.ca

ou composez le **1-800-807-6777**.

REMARQUE : Pour toute correspondance ou appel au sujet d'un problème de service, veuillez inclure les renseignements suivants :

1. Vos nom, adresse et numéro de téléphone durant la journée.
2. Numéros de modèle et de série de l'appareil.
3. Nom et adresse de votre marchand ou du service d'entretien.
4. Une description claire du problème existant.
5. Preuve d'achat (reçu de vente).

Les guides de l'utilisateur, manuels d'entretien et informations sur les pièces sont disponibles auprès du Centre d'interaction avec la clientèle des appareils électroménagers de la marque Jenn-Air.

Accessoires

REMARQUE : Instructions d'installation fournies avec chaque ensemble.

Pour les modèles séries JXD7030Y

Garniture supérieure monopiece de 30" (76,2 cm)

Commander la pièce numéro W10387676 (noir)

Pour les modèles séries JXD7036Y

Garniture supérieure monopiece de 36" (91,4 cm)

Commander la pièce numéro W10387677 (noir)

GARANTIE DES GROS APPAREILS MÉNAGERS JENN-AIR®

GARANTIE LIMITÉE DE UN AN

Pendant un an à compter de la date d'achat, lorsque ce gros appareil ménager est utilisé et entretenu conformément aux instructions jointes à ou fournies avec le produit, Jenn-Air, marque de Whirlpool Corporation ou Whirlpool Canada LP (ci-après désignées "Jenn-Air") paiera pour les pièces spécifiées par l'usine et la main-d'œuvre pour corriger les vices de matériaux ou de fabrication. Le service doit être fourni par une compagnie de service désignée par Jenn-Air. Cette garantie limitée est valide uniquement aux États-Unis ou au Canada et s'applique exclusivement lorsque l'appareil est utilisé dans le pays où il a été acheté. À l'extérieur du Canada et des 50 États des États-Unis, cette garantie limitée ne s'applique pas. Une preuve de la date d'achat original est exigée pour obtenir un service dans le cadre de la présente garantie limitée.

ARTICLES EXCLUS DE LA GARANTIE

La présente garantie limitée ne couvre pas :

1. Les visites de service pour rectifier l'installation du gros appareil ménager, montrer à l'utilisateur comment utiliser l'appareil, remplacer ou réparer des fusibles ou rectifier le câblage ou la plomberie du domicile.
2. Les visites de service pour réparer ou remplacer les ampoules électriques de l'appareil, les filtres à air ou les filtres à eau. Les pièces consommables ne sont pas couvertes par la garantie.
3. Les réparations lorsque le gros appareil ménager est utilisé à des fins autres que l'usage unifamilial normal ou lorsque les instructions d'installation et/ou les instructions de l'opérateur ou de l'utilisateur fournies ne sont pas respectées.
4. Les dommages imputables à : accident, modification, usage impropre ou abusif, incendie, inondation, actes de Dieu, installation fautive ou installation non conforme aux codes d'électricité ou de plomberie, ou l'utilisation de pièces consommables ou de produits nettoyants non approuvés par Jenn-Air.
5. Les défauts apparents, notamment les éraflures, les bosses, fissures ou tout autre dommage au fini du gros appareil ménager, à moins que ces dommages soient dus à des vices de matériaux ou de fabrication et soient signalés à Jenn-Air dans les 30 jours suivant la date d'achat.
6. Toute perte d'aliments due à une défaillance du réfrigérateur ou du congélateur.
7. Les coûts associés au transport du gros appareil ménager du domicile pour réparation. Ce gros appareil ménager est conçu pour être réparé à domicile et seul le service à domicile est couvert par la présente garantie.
8. Les réparations aux pièces ou systèmes résultant d'une modification non autorisée faite à l'appareil.
9. Les frais de transport pour le service d'un produit si votre gros appareil est situé dans une région éloignée où un service d'entretien Jenn-Air autorisé n'est pas disponible.
10. La dépose et la réinstallation de votre gros appareil si celui-ci est installé dans un endroit inaccessible ou n'est pas installé conformément aux instructions d'installation fournies.
11. Les gros appareils ménagers dont les numéros de série et de modèle originaux ont été enlevés, modifiés ou qui ne peuvent pas être facilement identifiés. La présente garantie est nulle si le numéro de série d'usine a été modifié ou enlevé du gros appareil ménager.

Le coût d'une réparation ou d'un remplacement dans le cadre de ces circonstances exclues est à la charge du client.

CLAUSE D'EXONÉRATION DE RESPONSABILITÉ AU TITRE DES GARANTIES IMPLICITES; LIMITATION DES RECOURS

LE SEUL ET EXCLUSIF RECOURS DU CLIENT DANS LE CADRE DE LA PRÉSENTE GARANTIE LIMITÉE CONSISTE EN LA RÉPARATION PRÉVUE CI-DESSUS. LES GARANTIES IMPLICITES, Y COMPRIS LES GARANTIES APPLICABLES DE QUALITÉ MARCHANDE ET D'APTITUDE À UN USAGE PARTICULIER, SONT LIMITÉES À UN AN OU À LA PLUS COURTE PÉRIODE AUTORISÉE PAR LA LOI. JENN-AIR N'ASSUME AUCUNE RESPONSABILITÉ POUR LES DOMMAGES FORTUITS OU INDIRECTS. CERTAINES JURIDICTIONS NE PERMETTENT PAS L'EXCLUSION OU LA LIMITATION DES DOMMAGES FORTUITS OU INDIRECTS, OU LES LIMITATIONS DE LA DURÉE DES GARANTIES IMPLICITES DE QUALITÉ MARCHANDE OU D'APTITUDE À UN USAGE PARTICULIER, DE SORTE QUE CES EXCLUSIONS OU LIMITATIONS PEUVENT NE PAS S'APPLIQUER DANS VOTRE CAS. CETTE GARANTIE VOUS CONFÈRE DES DROITS JURIDIQUES SPÉCIFIQUES ET VOUS POUVEZ ÉGALEMENT JOUIR D'AUTRES DROITS QUI PEUVENT VARIER D'UNE JURIDICTION À UNE AUTRE.

Si vous résidez à l'extérieur du Canada et des 50 États des États-Unis, contactez votre marchand Jenn-Air autorisé pour déterminer si une autre garantie s'applique.

Si vous avez besoin de service, voir d'abord la section "Dépannage" du Guide d'utilisation et d'entretien. Après avoir vérifié la section "Dépannage", de l'aide supplémentaire peut être trouvée en vérifiant la section "Assistance ou service" ou en appelant Jenn-Air. Aux É.-U., composer le **1-800-536-6247**. Au Canada, composer le **1-800-807-6777**.

6/09

Conservez ce manuel et votre reçu de vente ensemble pour référence ultérieure. Pour le service sous garantie, vous devez présenter un document prouvant la date d'achat ou d'installation.

Inscrivez les renseignements suivants au sujet de votre gros appareil ménager pour mieux vous aider à obtenir assistance ou service en cas de besoin. Vous devrez connaître le numéro de modèle et le numéro de série au complet. Vous trouverez ces renseignements sur la plaque signalétique située sur le produit.

Nom du marchand _____

Adresse _____

Numéro de téléphone _____

Numéro de modèle _____

Numéro de série _____

Date d'achat _____

Free Manuals Download Website

<http://myh66.com>

<http://usermanuals.us>

<http://www.somanuals.com>

<http://www.4manuals.cc>

<http://www.manual-lib.com>

<http://www.404manual.com>

<http://www.luxmanual.com>

<http://aubethermostatmanual.com>

Golf course search by state

<http://golfingnear.com>

Email search by domain

<http://emailbydomain.com>

Auto manuals search

<http://auto.somanuals.com>

TV manuals search

<http://tv.somanuals.com>