



CD6111

Instruction Manual
Manual de Instrucciones
Guide d'instructions



TABLE OF CONTENTS

Introduction	1
Preparation	1
Wiring	2
Installation	3
Operation	4
Tuner Operation	7
CD Player Operation	8
CD Changer Operation	9
JPORT Operation	9
Remote Control	10
Care and Maintenance	10
Troubleshooting	11
Specifications	11
12-Month Limited Warranty	12

CONTENIDO

Introducción	13
Preparación	13
Cableado	14
Instalación	15
Operación	16
Operación del Radio	19
Operación del Equipo de CD	20
Operación del Cambiador de CD	21
Operación del JPORT	21
Control Remoto	22
Cuidado y Mantenimiento	22
Corrección de Problemas	23
Especificaciones	23
Garantía Limitada de 12 Meses	24

TABLE DES MATIÈRES

Introduction	25
Préparation	25
Câblage	26
Installation	27
Operation	28
Opération de la Radio	31
Opération de la Platine CD	32
Opération de Changeur de CD	33
Opération JPORT	33
Prêt à être Télécommandé	34
Soin et Entretien	34
Dépannage	35
Caractéristiques	35
Garantie Limitée de 12 Mois	36

INTRODUCTION

Congratulations on your purchase of the Jensen CD6111 Mobile AM/FM/CD Receiver. It's a good idea to read all of the instructions before beginning the installation. We recommend having your Jensen CD6111 installed by a reputable installation shop.

Features

CD

- CD-R/RW compatible
- Last position memory
- Random/repeat/intro
- High-speed audible track search
- 1-Bit D/A converter
- Anti-shock mechanism

AM/FM TUNER

- 24 station presets (12 FM, 6 AM)
- JENSEN Plus Tuner II
- Auto station store/preset scan
- One-touch memory
- Manual stereo/mono, local/distance, and up/down tuning
- Auto seek tuning up/down and 5-second scan tuning

Chassis

- Electronic detachable face with hard case
- Import ISO/DIN mountable
- 20-pin power harness

General

- High contrast Liquid Crystal Display (LCD)
- Infrared remote control (included)
- iEQ3 - instant EQ with 3 selectable EQ curves - Classic, Pop and Rock
- 1 pair each rear RCA auxiliary inputs and pre-amp outputs
- Rotary encoder audio control with electronic volume, bass, treble, balance, fader
- Multi-button power on
- Keyless CD eject
- 4V Peak / 2V RMS RCA pre-amp output voltages
- Rear RCA pre-amp outputs
- 200-ohm low impedance preamp output
- Flex-Fader
- True Blue LED preset illumination
- Loudness
- Clock
- Mute
- Theft deterrent LED

Optional Accessories

jPORT (Sold Separately)

- Controls your iPod and CD Changer
- jLink Apple approved iPod cable (included)
- jLink Adapter (included)

iAux (Sold Separately)

- Converts 3.5mm Input to RCA outputs for auxiliary devices
- Under-dash adapter allows for quick installation of portable media devices

PREPARATION

Tools and Supplies

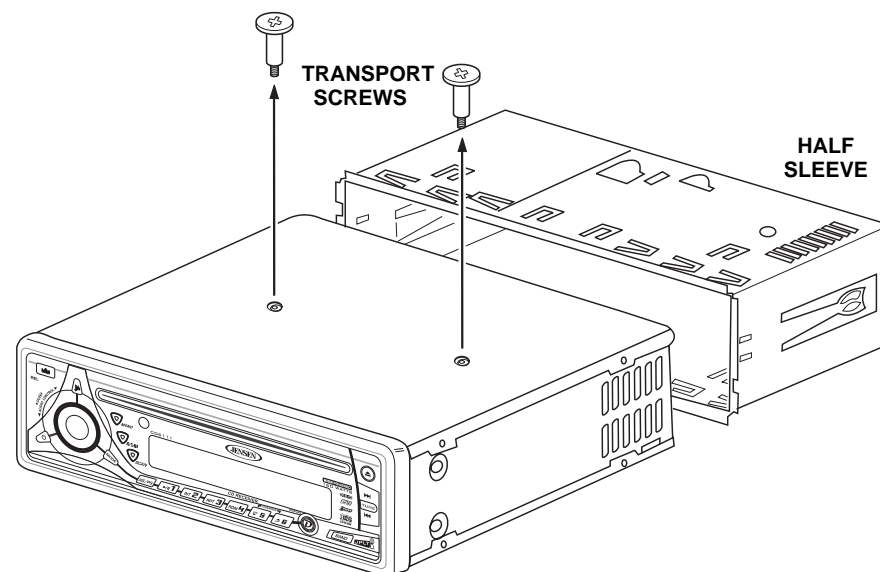
The following tools and supplies are needed to install the radio.

- Torx type, flathead and Philips screwdrivers
- Wire cutters and strippers
- Tools to remove existing radio (screwdriver, socket wrench set or other tools)
- Electrical tape
- Crimping tool
- Volt meter/test light
- Crimp connections
- 18 gauge wire for power connections
- 16-18 gauge speaker wire

SPEAKER REQUIREMENTS: Only connect speakers rated in the load impedance of 4 ohms. Speakers with a load impedance less than 4 ohms could damage the unit.

Pre-installation

1. **Disconnect Battery**
Before you begin, always disconnect the battery negative terminal.
2. **Remove Transport Screws**
3. **Remove Radio from Sleeve**
Lift latches on both sides of sleeve to remove half-sleeve from radio.



WIRING

Wiring with a Wiring Adapter (Purchased Separately)

Connect Wires

You can make these connections without being in the vehicle.

1. Splice or crimp wires.
2. Attach wiring adapter to car wiring harness.

Wiring Diagram / Color Codes

1. Power Antenna (dark blue wire) - Connect to power antenna or amplifier. If not used, tape bare end of wire.
2. Accessory/Ignition (red wire) - Connect to existing radio wire or radio fuse.
3. Ground (black wire) - Connect to ground terminal or clean, unpainted part of chassis.
4. Memory/Battery (yellow wire) - Connect to battery or 12 volt power source that is always live. The radio will not work if this wire is not connected.
5. Antenna Connector - Connect the antenna plug from the existing antenna cable (some vehicles require an adaptor).
6. CD Changer/JPORT connector - Use this 8-pin DIN socket to connect an optional CD Changer or JPORT (sold separately).
7. Auxiliary Input Cable (yellow RCA cables) - Connect line in for auxiliary input devices (CD player, etc.).
8. Outputs to Amplifier (gray RCA cables) - Connect line out for optional external amplifiers. The red connector is for the right and the white connector is for the left.
9. Left Front Speaker
10. Right Front Speaker
11. Left Rear Speaker
12. Right Rear Speaker

NOTE: The amplifiers in this radio are only designed for use with four speakers. Never combine (bridge) outputs for use with two speakers. Never ground negative speaker leads to chassis ground. Failure to wire exactly as shown may cause electrical damage to the radio.

Fuses

When replacing a fuse, make sure the new fuse is the correct type and amperage. Using an incorrect fuse could damage the radio. The CD6111 uses one 15 amp fuse located below the wiring connector (15 amp fast blow ATO).

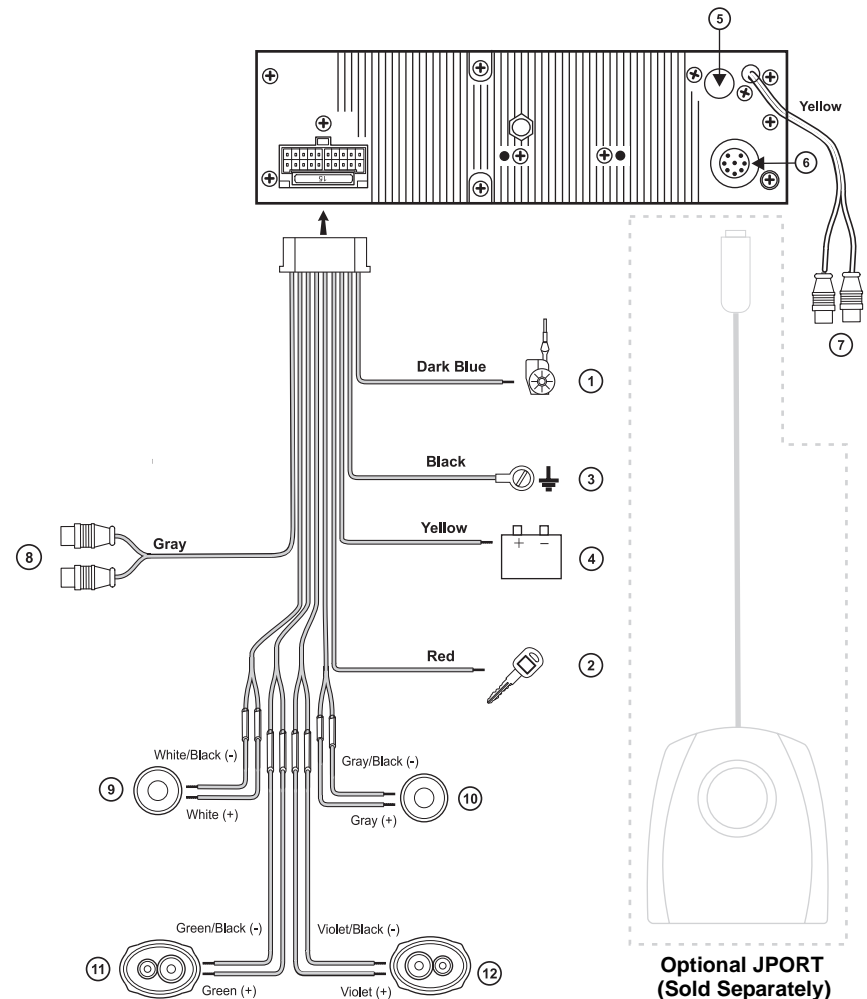
Reconnect Battery

When wiring is complete, reconnect the battery negative terminal.

Technical Assistance

If you require assistance, contact Technical Support at 1-800-323-4815 from 8:30am to 7:00pm EST Monday through Friday and from 9:00am to 5:00pm EST on Saturday.

WIRING DIAGRAM

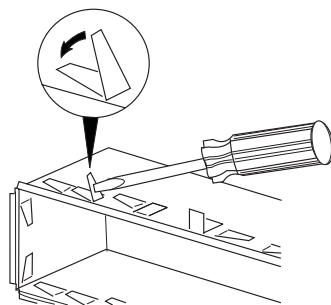


INSTALLATION

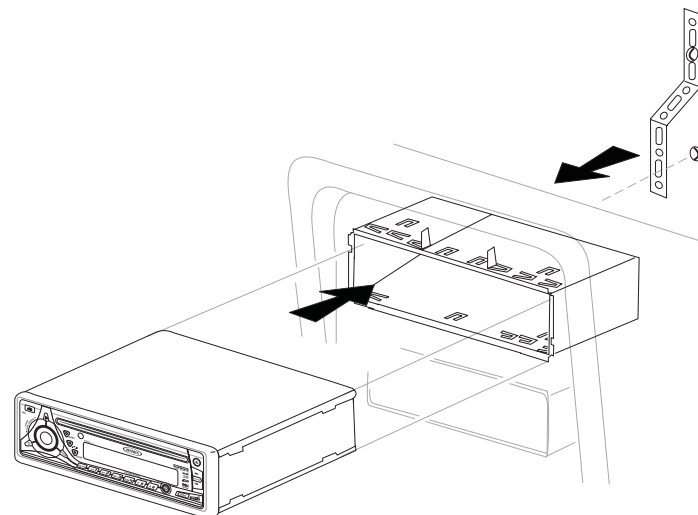
This unit is designed for installation in cars, trucks and vans with an existing radio opening. In many cases, a special installation kit will be required to mount the radio to the dashboard. These kits are available at electronics supply stores and car stereo specialty shops. Always check the kit application before purchasing to make sure the kit works with your vehicle. If you have trouble locating a kit or need installation assistance, contact Technical Support at 1-800-323-4815 from 8:30am to 7:00pm EST Monday through Friday and from 9:00am to 5:00pm EST on Saturday.

Universal Installation Using Mounting Sleeve

1. Remove the detachable front panel, if it is attached to the chassis, by pushing the "Release" button.
2. Slide the mounting sleeve off of the chassis if it has not already been removed. If it is locked into position, use the removal keys (supplied) to disengage it. The removal keys are depicted on page 4.
3. Check the dashboard opening size by sliding the mounting sleeve into it. If the opening is not large enough, carefully cut or file as necessary until the sleeve easily slides into the opening. Do not force the sleeve into the opening or cause it to bend or bow. Check that there will be sufficient space behind the dashboard for the radio chassis.
4. Locate the series of bend tabs along the top, bottom and sides of the mounting sleeve. With the sleeve fully inserted into the dashboard opening, bend as many of the tabs outward as necessary to firmly secure the sleeve to the dashboard.



5. Place the radio in front of the dashboard opening so the wiring can be brought through the mounting sleeve.



6. Follow the wiring diagram carefully and make certain all connections are secure and insulated with crimp connectors or electrical tape to ensure proper operation.
7. After completing the wiring connections, attach the front panel and turn the unit on to confirm operation (vehicle ignition switch must be on). If the unit does not operate, recheck all wiring until the problem is corrected. Once proper operation is achieved, turn the ignition switch off and proceed with final mounting of the chassis.
8. Carefully slide the radio into the mounting sleeve making sure it is right-side-up until it is fully seated and the spring clips lock it into place.
9. Attach one end of the perforated support strap (supplied) to the screw stud on the rear of the chassis using the hex nut provided. Fasten the other end of the perforated strap to a secure part of the dashboard either above or below the radio using the screw and hex nut provided. Bend the strap, as necessary, to position it. **CAUTION:** The rear of the radio must be supported with the strap to prevent damage to the dashboard from the weight of the radio or improper operation due to vibration.
10. Re-attach the front panel to the chassis and test radio operation by referring to the operating instructions for the unit.

NOTE: For proper operation of the CD player, the chassis must be mounted within 20° of horizontal. Make sure the unit is mounted within this limitation.

Kit Installation

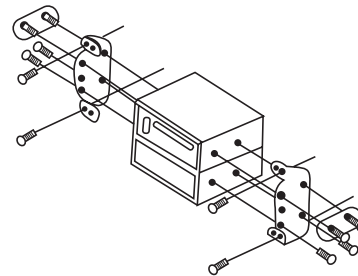
If your vehicle requires the use of an installation kit to mount this radio, follow the instructions included with the installation kit to attach the radio to the mounting plate supplied with the kit.

1. Wire and test the radio as outlined in the Universal Installation instructions.
2. Install the radio/mounting plate assembly to the sub-dashboard according to the instructions in the installation kit.
3. Attach the support strap to the radio and dashboard as described in the Universal Installation instructions.
4. Replace the dashboard trim panel.

ISO Installation

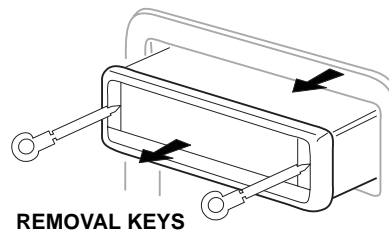
This unit has threaded holes in the chassis side panels which may be used with the original factory mounting brackets of some vehicles to mount the radio to the dashboard. Please consult with your local car stereo shop for assistance on this type of installation.

1. Remove the existing factory radio from the dashboard or center console mounting. Save all hardware and brackets as they will be used to mount the new radio.
2. Carefully unsnap the plastic frame from the front of the new radio chassis. Remove and discard the frame.
3. Remove the factory mounting brackets and hardware from the existing radio and attach them to the new radio. Do not exceed M5 x 9 MM maximum screw size. Longer screws may damage components inside the chassis.
4. Wire the new radio to the vehicle as outlined in the Universal Installation instructions.
5. Mount the new radio assembly to the dashboard or center console using the reverse procedure of step 1.



Remove Radio

To remove the radio after installation, remove the trim ring by lifting in the center and pulling it off from either side. Insert the removal keys straight back until they lock, and then pull the radio out. If removal keys are inserted at an angle, they will not lock properly to release the unit.



OPERATION

Power

Press the power button (1) or any other button on the face of the receiver to turn the unit on when the ignition switch is on. Press the power button again to turn the receiver off. If the radio was left on when the ignition was last turned off, the receiver will turn on automatically when the ignition switch is again turned on. If the receiver was off when the ignition was last turned off, the receiver must be turned on manually when restarting the vehicle.

Mode

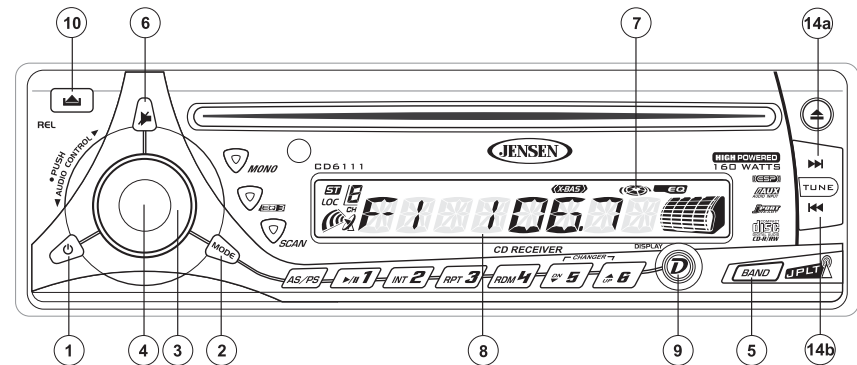
Press **MODE** (2) to select a different mode of operation as indicated on the display panel. Available modes include Tuner, CD, CD changer (CDC) and Auxiliary Input. During CD player operation, pressing **MODE** will change to the tuner mode without ejecting the disc. The CD icon (7) will remain in the display to indicate that a disc is still loaded in the unit. Unless a CD changer is connected to the unit, the CD changer (CDC) mode cannot be accessed. To access the Auxiliary Input mode, press the **MODE** button until "AUX" is indicated in the display.

Volume

To increase the volume, rotate the volume control (3) clockwise. To decrease the volume, rotate the volume control counter clockwise. When volume is adjusted, the volume level is shown on the display panel as a number ranging from "00" (lowest) to "100" (highest).

Select

Press **PUSH** (4) to step through the menu of audio functions. The first option is volume (VOL), followed by bass (BAS), treble (TRB), balance (BAL), fader (FAD), and again by volume (VOL). When adjusting audio functions, the unit will automatically exit select mode and return to the normal display after five seconds or when another function is activated.



Select (continued)

Bass

Press **PUSH** (4) twice until "BAS" appears in the display. Within five seconds, rotate the volume control (3) clockwise or counter clockwise to adjust the bass from "-10" to "+10". "00" represents a flat response. The bass level is shown on the display for five seconds or until another function is activated.

Treble

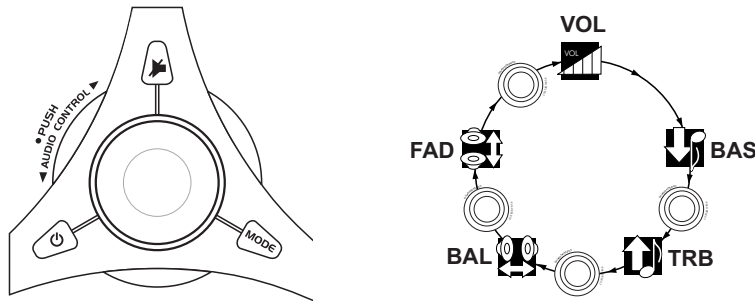
Press **PUSH** (4) three times until "TRB" appears in the display. Within five seconds, rotate the volume control (3) clockwise or counter clockwise to adjust Treble from "-10" to "+10". "00" represents a flat response. The treble level is shown on the display for five seconds or until another function is activated.

Balance

Press **PUSH** (4) four times until "BAL" appears in the display. Within five seconds, rotate the volume control (3) clockwise (or counter clockwise) to adjust Balance between the right and left speakers from "BAL 10R" (full right) to "BAL 10L" (full left). "BAL L=R" represents an equal balance level between the right and left speakers. The balance position is shown on the display for five seconds or until another function is activated.

Fader

Press **PUSH** (4) five times until "FAD" appears in the display. Within five seconds, rotate the volume control (3) clockwise or counter clockwise to adjust balance between the front and rear speakers from "FAD 10R" (full rear) to "FAD 10F" (full front). "FAD F=R" represents an equal balance level between the front and rear speakers. The fader position is shown on the display for five seconds or until another function is activated.



iX-BASS (BAND)

Press **BAND** (5) for two seconds to activate the iX-BASS feature. When listening to music at low volume levels, this feature will boost the bass and treble ranges to compensate for the characteristics of human hearing. When this feature is activated, "LOUD ON" will appear in the display for five seconds. Press **BAND** again for two seconds to deactivate this feature. "LOUD OFF" appears in the display for five seconds.

Audio Mute (MUTE)

Press **MUTE** (6) to mute the audio volume. "MUTE" flashes on the display. Restore volume to the previous setting by pressing the mute button again, adjusting the volume control, or by pressing any other button on the unit.

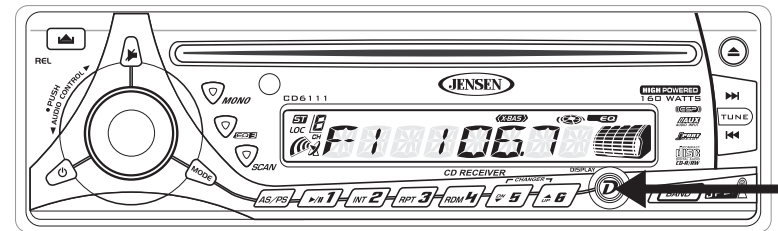
Liquid Crystal Display (LCD)

The liquid crystal display (LCD) panel (8) displays the frequency, time and activated functions of the unit, including a combination audio level/disc indicator, which appears as dual disc icons with circular bar graphs depicting the audio signal. In addition, the display contains a receive signal indicator that depicts the relative strength of the incoming broadcast frequency.

NOTE: LCD panels may take longer to respond when subjected to cold temperatures for an extended period of time. In addition, the visibility of the numbers on the LCD may decrease slightly. The LCD display will return to normal when the temperature increases to a normal range.

Display (DISPLAY)

When the unit is off, the LCD displays the time of day. When the unit is on, the LCD automatically shows the tuner, CD or CD changer display, depending on which mode of operation is currently activated.

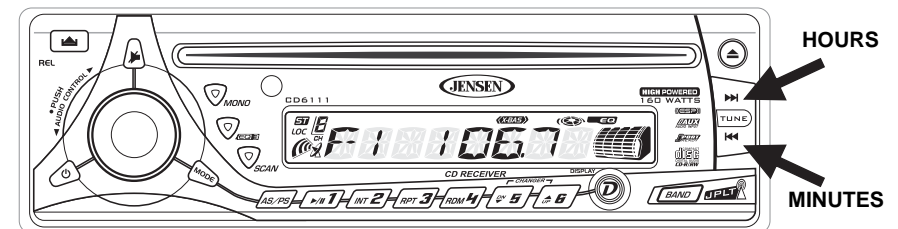


Display Clock

During tuner, CD or CD changer operation, press **DISPLAY** (9) to display the time of day. After five seconds, the display reverts to tuner, CD or CD changer display.

Set Clock

1. To set the clock, turn the radio on in tuner mode (or any other mode).
2. Press **DISPLAY**. The time appears on the display.
3. Press and hold **DISPLAY** until the time display begins flashing.
4. While the display is flashing, press the Up Tuning button (14a) to adjust hours and the "A" (AM) or "P" (PM) indication. Press the Down Tuning button (14b) to adjust minutes.
5. After five seconds, the time will set and the display will return to tuner, CD or CD changer display.

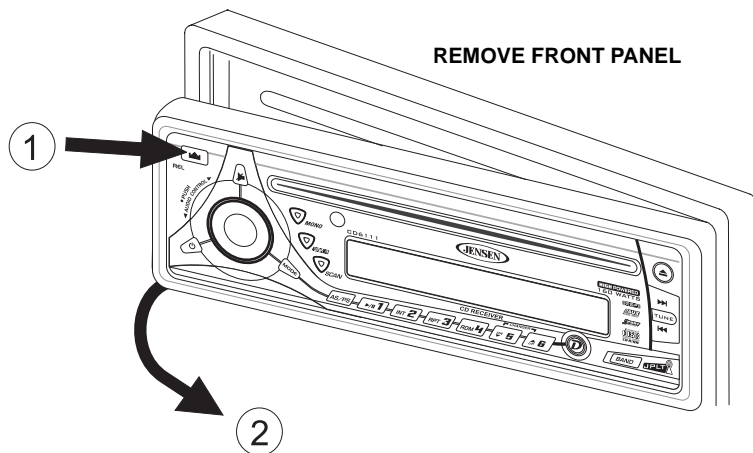


Front Panel Release

The front panel release button (10) releases the mechanism that holds the front panel to the chassis.

Detaching the Front Panel

To detach the front panel, first press the front panel release button to release the left side of the panel. Next, grasp the released side and pull it off the chassis. After removing the front panel, store it in the supplied carrying case to protect it from dirt and damage.



Theft Deterrent LED

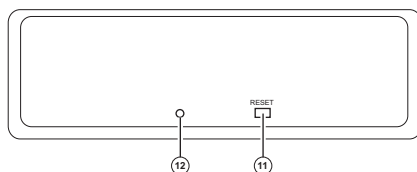
A light-emitting diode (LED) (12) is located on the chassis behind the front panel and will flash when the panel is removed. The flashing light serves as a visual warning to the would-be thief that the unit has been disabled by removal of the front panel.

Re-attaching the Front Panel

To re-attach the front panel, make sure the electrical terminals on the back of the panel are free of dust and dirt, as debris could cause intermittent operation or other malfunctions. Position the right side of the panel in place so that it is correctly engaged, then lightly press the left side of the panel until the mechanism locks it into place.

Reset Button

The reset button (11) is located on the front of the chassis and can only be accessed with the front panel removed. The reset circuitry protects the microprocessor circuitry. Since resetting the unit will erase the time and preset memories, it should only be activated upon initial installation after all wiring is complete or if there is a malfunction of any of the switches on the unit. In these circumstances, pressing the reset button will clear the system and return the unit to normal operation.



TUNER OPERATION

AM/FM Band Selector (BAND)

Press **BAND** (13) during radio play to switch between three FM bands and one AM band. "F1", "F2", "F3" or "AM" will appear in the display to indicate the band currently selected.

Tuning

Automatic Tuning

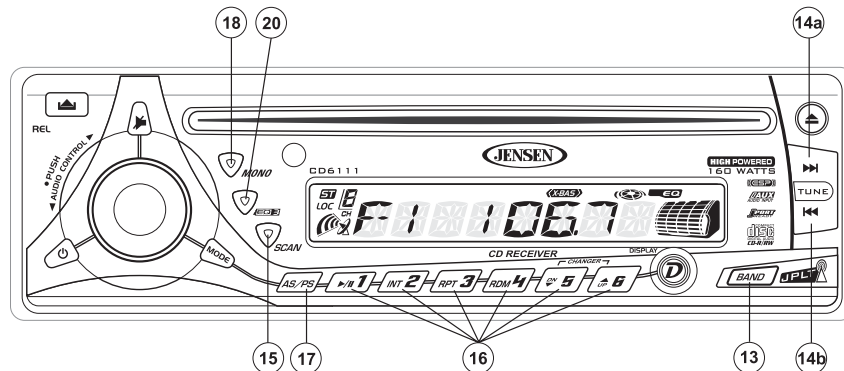
Press the Up Tuning (14a) button to tune upward in frequency and the Down Tuning (14b) button to tune downward in frequency. The unit will automatically stop at the next strong station. If the Local mode is active, the radio will seek the next strong local station when either button is pressed.

Manual Tuning

Press the Up Tuning (14a) or Down Tuning (14b) button for more than two seconds to select manual tuning mode. "MANUAL" will appear in the display. Press the Up or Down Tuning buttons to move radio frequency up or down two digits at a time. Press and hold the Up or Down tuning buttons to quickly advance to a certain frequency. Release when the desired frequency is reached. If tuning is not adjusted within five seconds of entering manual tuning mode, the radio will revert to automatic tuning and "AUTO" will appear in the display.

Scan Tuning (SCAN)

Press **SCAN** (15) to scan upwards through all the strong channels in the current band. The unit will pause and play each station for five seconds, and the station frequency will flash in the display during this time. Press **SCAN** again to stop scanning and listen to the current station.



Preset Stations

Up to six stations on each band can be stored as presets and can then be instantly recalled by pressing the associated preset button (16). To store a station, turn the radio on and select the desired band and station. Press and hold the desired preset button (numbered one through six on the face of the radio) for more than two seconds. When stored, the preset number will appear in the display. The station is now stored and can be re-called at any time by pressing the corresponding preset button. Repeat for the remaining five presets on the current band and for all presets on the other three bands.

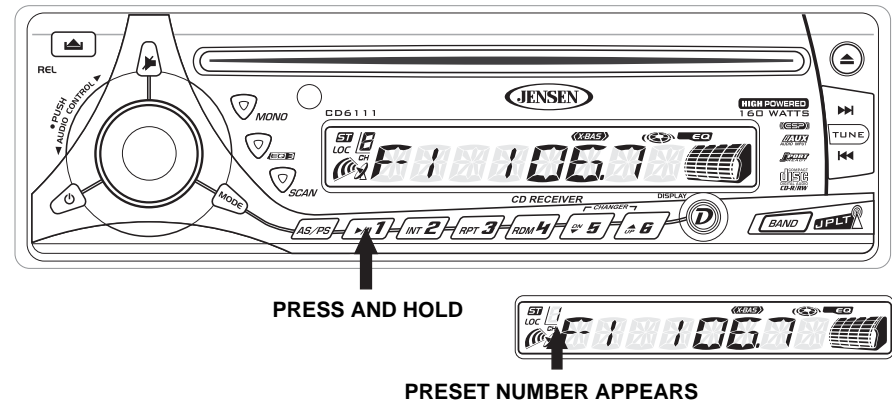
Automatically Store / Preset Scan (AS/PS)

Automatically Store

Select six strong stations and store them in the current band using the Automatic Store feature. To enable this feature, press and hold **AS/PS** (17) for more than two seconds. The radio will automatically scan the band in use and enter strong stations into the preset memory positions for that band. After entering the stations into memory, the unit will automatically stop at each station for five seconds so each can be heard. When using the Automatically Store feature, the new stations replace any stations already stored in preset memory for the selected band.

Preset Scan

Press **AS/PS** (17) to scan the six preset stations in the current band. The unit will stop at each station for five seconds before continuing to the next preset station, and the preset number will flash on the display during the preset scan. Press **AS/PS** again to stop scanning and listen to the current station.



Mono/Stereo Selector (MONO)

Press **MONO** (18) during FM radio operation to select stereo reception of the broadcast signal. Under normal reception, the unit should be left in the stereo mode as indicated by the "ST" designation and the associated signal strength indicator that appear on the display panel when tuned to an FM stereo signal. If the signal is too noisy for comfortable listening, press **MONO** to switch to mono reception, and the "ST" indication will disappear. Press **MONO** again to return to stereo mode.

Equalizer Selector (iEQ)

The equalizer function applies preset sound effects to the unit's audio output signal. Press **iEQ** (20) to activate one of the following operating modes: FLAT, CLASSICS, POP M, ROCK M or DSP OFF. When the equalizer function is activated, the most recently selected bass/treble levels are ignored. If the bass and/or treble levels are adjusted while the equalizer function is active, the equalizer function will revert to FLAT. When the equalizer function is not active, the unit will return to the most recently selected bass and treble levels.

CD PLAYER OPERATION

Insert CD

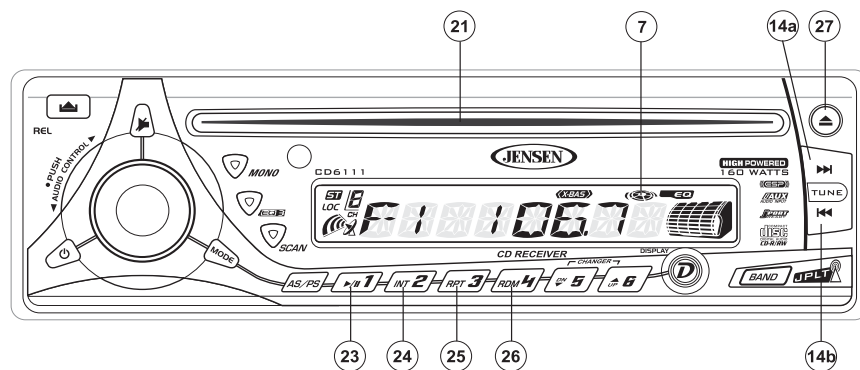
With the label surface facing up, gently insert the disc into the CD slot (21) until the soft-loading mechanism engages and pulls in the disc. Disc play begins, "S--CDP" will appear in the display, and the CD icon will become animated. The center of the disc icon (7) illuminates and becomes animated, and the track number and elapsed time appear in the display.

NOTE: The unit is designed for play of standard 5" (12 cm.) compact discs only. Do not attempt to use 3" (8 cm.) CD singles in this unit, either with or without an adaptor, as damage to the player and/or the disc may occur. Such damage will not be covered by the warranty on this product.

Track Select

Track select features are used to quickly access the beginning of a particular track when a disc is in play. Press the Up Tuning button (14a) to move forward or the Down Tuning button (14b) to move backward on the disc to locate the desired track. Track numbers will appear in the display as they are accessed.

Press and hold the Up or Down Tuning buttons to fast forward or fast reverse through a disc. During either function, the elapsed time will appear on the display. Release the button to resume CD play.



Play/Pause

Press the play/pause button (23) to suspend disc play. "S--PAUSE" will appear in the display, and the center of the disc icon (7) will stop rotating. Press the play/pause button again to resume disc play. The "S--PAUSE" indication will disappear from the display, and play will resume from the pausing point.

Disc Scan (SCN)

During disc play, press **SCN** (24) to play the first 10 seconds of each track on the disc. "S--SCN" will appear in the display. When the desired track is reached, press **SCN** again to end the scan function and play the selected track. "S--SCN" will disappear from the display. The scan function will also be canceled when activating the repeat or shuffle functions.

Disc Repeat (RPT)

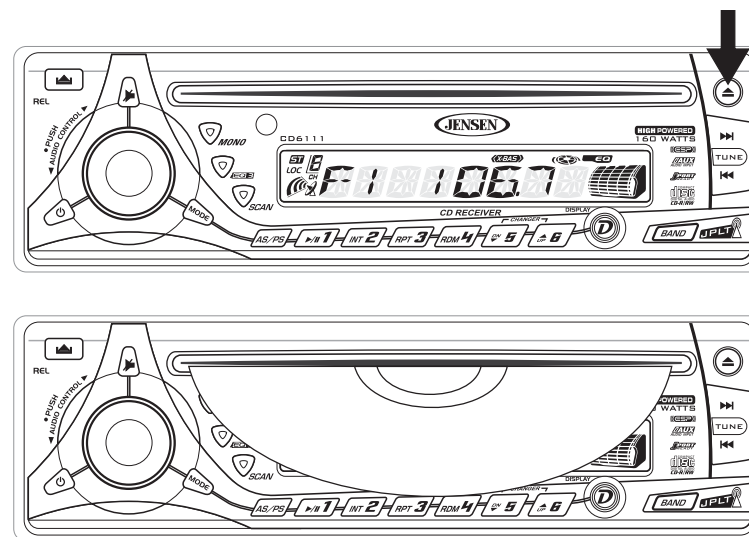
Press **RPT** (25) during disc play to continuously repeat the selected track. "S--RPT" will appear in the display. Press **RPT** again to stop repeating. "S--RPT" will disappear from the display, and regular play will resume. The repeat function will also be canceled when activating the scan or shuffle functions.

Disc Shuffle (SHF)

Press **SHF** (26) during disc play to play all tracks on a CD in random, shuffled order. "S--SHF" will appear in the display. Press **SHF** again to stop random play. "S--SHF" will disappear from the display, and regular play will resume. The shuffle function will also be canceled when activating the scan or repeat functions.

Disc Eject

Press the eject button (27) to stop CD play and eject the disc. The unit will change to tuner or CD changer operation, depending on which mode was in operation prior to disc play. If the disc is not removed from the unit within 15 seconds, the disc will be reloaded to prevent accidental damage. The CD icon (7) will appear in the display to indicate that a disc is loaded in the player. Disc play can be resumed by pressing **MODE** (2) to choose the CD player function.



CD Player Error Codes

If a problem should develop while operating the CD player, an error code (ER-1, ER-2, etc.) may appear on the display panel. This can indicate a number of problems with the unit, including a mechanical error or an error in the microprocessor control of the player. If an error code should appear, try ejecting and reloading the disc into the player. While the disc is out of the unit, make sure it is clean and undamaged, and then load it correctly. If this does not solve the problem, pressing the reset button (11) may help, but will erase the time and preset memory. If the suggested measures do not solve the problem, contact an approved warranty station near you for further assistance.

CD CHANGER OPERATION

Please call Jensen technical support at 1-800-323-4815 for a complete list of CD changers compatible with this unit. The following Jensen CD Changers are compatible with this unit: JCH10RF and CH1001.

After the CD changer has been installed and properly connected, press the Reset button (11) to initialize the installation. Refer to the owner's manual included with the CD changer for instructions on installing, loading and using the CD magazine.

CD Changer Mode

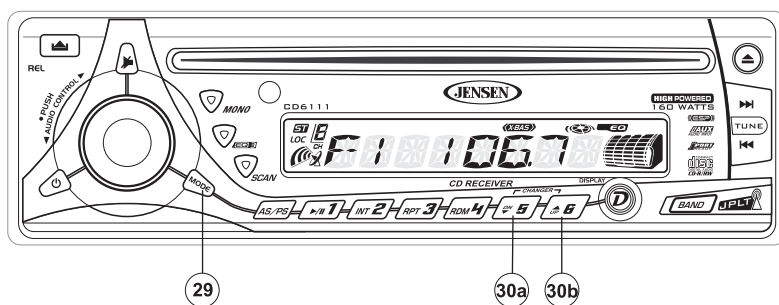
Press **MODE** (29) during radio or disc play to select operation of the CD changer. "CDC" will appear in the display. Disc play will begin, and the disc and track numbers will be shown in the display. If a new magazine has been loaded into the changer, play will begin from the first track of the first disc. If a magazine was already in the changer, play will resume where it ended.

Disc Select (UP/DN)

To select a disc for play, use the **UP** (30a) button to advance to a higher disc or the **DN** (30b) button to move back to a lower disc. The number of the disc in play appears on the display.

Other Features

The Play/Pause, Scan, Repeat, Shuffle, Track Select and Fast Forward/Fast Reverse features for CD changer play are accessed in the same methods as for regular disc play. Refer to the CD Player Operation section of this manual for details.



CD Changer Error Codes

If problems arise during CD changer operation, the following error codes may appear in the display:

ER-1: No magazine loaded in the CD changer.

ER-2: Problem in the disc loading function.

ER-3: Error in the disc loading function.

ER-4: Error in the disc unloading function.

ER-5: Error in the magazine position.

ER-6: Error in the laser pickup position.

ER-7: Error in the laser focus on the disc.

To resolve any of the above problems, eject the magazine from the changer and verify that the discs are clean, undamaged and loaded correctly. Pressing the reset button (11) may help, but will erase the time and preset memories. If the suggested measures do not solve the problem, contact an approved warranty station near you for further assistance.

JPORT OPERATION

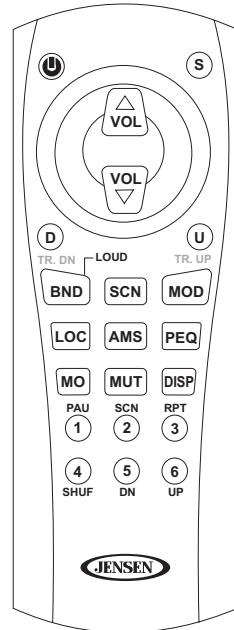
After the JPORT has been installed and connected, press the **RESET** button (11) to initialize the installation. The JPORT can be used to control your iPod or an optional CD Changer. **Refer to the owner's manual included with the JPORT for instructions regarding the operation of external devices attached to your JPORT.**

REMOTE CONTROL

The remote control will allow you to control the basic functions of the CD6111.

The remote control sensor is at the top left of the **MONO** (18) button.

AMS = AS / PS
 PEQ = iEQ
 MOD = Mode
 LOC = Lo / DX
 BND = Band
 SCN = Scan, AM, FM
 MUT = Mute
 MO = St / Mo
 DISP = Clock / Frequency



CARE AND MAINTENANCE

CD Player

The following guidelines will help you extend the life of your CD player:

1. When cleaning the vehicle interior, do not get water or cleaning fluids on the unit.
2. The CD player will not operate properly in extreme hot/cold or under damp conditions. In case of such conditions, wait until the vehicle interior reaches a normal temperature or any condensation on the disc player lens has evaporated before using the player.
3. Never insert anything other than round 5" CDs into the player. Attempting to insert CDs of other sizes (even with an adaptor) will cause damage not covered by the warranty.
4. Always remove the CD when the player is not in use.
5. The unit is designed with a vibration dampening CD mechanism to minimize interruption of disc play due to normal vibration in a moving vehicle. However, occasional sound skips may occur when driving on very rough roads. This will not scratch or damage the disc, and normal play will resume when the rough conditions cease.

Compact Discs

CD-R / CD-RW

Depending on media type and method of "recording / burning", some CD-R/RWs may be incompatible with this unit. After "recording / burning" **the session must be closed**. Please refer to your software's recommended procedures for closing a disc / session. Review your recording software to familiarize yourself with the correct "recording / burning" procedures. We recommend using the latest versions of ROXIO™ or NERO™ burning software.

In addition, **this unit will only recognize the CDDA (Compact Disc Digital Audio) format** "recorded / burned" onto a CD-R/RW. This unit does not support .MP3, .WMA, .WAV, .OGG or other formats. The CDDA format is the standard format of an "original store bought" CD. When recording / burning a CD-R/RW make sure the CDDA format is selected.

CD Care and Handling

Dirt, dust, scratches and warpage can cause skips in the playback and deterioration of sound quality. Please follow these guidelines to take care of your compact discs.

1. Carefully wipe fingerprints, dust and dirt from the disc's playing surface with a soft cloth. Wipe in a straight motion from the inside to the outside of the disc.
2. Never use chemicals such as record sprays or household cleaners to clean CDs, as they can irreparably damage the disc's surface.
3. Discs should be kept in their storage cases when not in use.
4. Do not expose discs to direct sunlight, high temperatures or high humidity for long periods.
5. Do not stick paper, tape or labels on disc surfaces.

TROUBLESHOOTING

Problem	Cause	Corrective Action
Does not operate (display does not light)	No power to yellow wire; no power to red wire	Check connection with test light; check vehicle fuse with test light.
	Inline fuse blown	Replace fuse.
No power to unit	Inline fuse blown	Check/replace fuse.
No speakers operate (display lights normally)	Speaker harness not connected	Connect speaker harness; check speaker wires.
Not all speakers operate	Incorrect splices or connections	Check all splices and connections.
	Speaker wires shorting to chassis ground or to each other	Check splices, insulate all bare wires.
Blows fuses	Power wire shorting to ground	Make sure wire is not pinched.
	Speaker wires shorting to ground	Make sure wire is not pinched.
	Incorrect fuse/fuse too small	Install fuse of correct rating.
CD skips too much	Receiver mount is not solid or backstrap is not secure	Check mounting and backstrap, tighten if needed.

SPECIFICATIONS



CEA Power Ratings

Power Output13 watts RMS X 4 channels into 4-ohms @ < 1% THD+N
 Signal to Noise Ratio 64dBA below reference. (Reference: 1 watt, 4-ohms)
 Dynamic Power 64 Watts @ 4 ohms all channels driven
 Frequency Response20Hz to 20kHz (-3dB), Auxiliary input used as source reference
 Reference Supply Voltage 14.4VDC

CD Player

Signal-to-noise ratio >90dBA
 Frequency response 20Hz-20kHz, -3dB
 Channel separation >55dB @ 1kHz
 D/A converter 1 Bit/CH

FM Tuner

Tuning range 87.5MHz-107.9MHz
 Mono sensitivity 12dBf
 50dB quieting sensitivity (stereo) 16dBf
 Stereo separation @ 1kHz >35dB
 Frequency response 30Hz-12kHz. ±3dB

AM Tuner

Tuning range 530kHz-1710kHz
 Sensitivity @ 20dB signal to noise 30uV
 Frequency response 30Hz-2kHz., -3dB

Auxiliary Input

Input sensitivity400mV RMS for 1 watt RMS into 4-ohms
 Frequency response 20Hz to 20kHz, -3dB
 Input impedance 10 k-ohms

General

Power supply 11-16 VDC, negative ground
 Fuses 15 amp fast blow ATO
 DIN chassis dimensions 2"H x 7"W x 7"D (51mm x 178mm x 178mm)

Specifications subject to change without notice.

12-MONTH LIMITED WARRANTY

AUDIOVOX CORPORATION (the Company) warrants to the original retail purchaser of this product that should this product or any part thereof, under normal use and conditions, be proven defective in material or workmanship within 12 months from the date of original purchase, such defect(s) will be repaired or replaced with new or reconditioned product (at the Company's option) without charge for parts and repair labor. To obtain repair or replacement within the terms of this Warranty, please contact Jensen at the telephone number provided below.

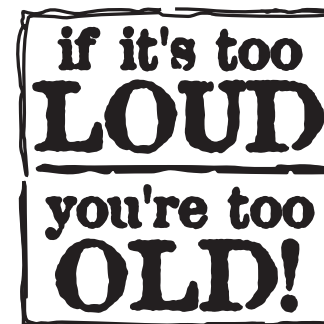
This Warranty does not extend to the elimination of car static or motor noise, to correction of antenna problems, to costs incurred for installation, removal, or reinstallation of the product, or damage to tapes, compact discs, accessories or vehicle electrical systems. This Warranty does not apply to any product or part thereof which, in the opinion of the Company, has suffered or been damaged through alteration, improper installation, mishandling, misuse, neglect, accident, or by removal or defacement of the factory serial number/bar code label(s) or markings. THE EXTENT OF THE COMPANY'S LIABILITY UNDER THIS WARRANTY IS LIMITED TO THE REPAIR OR REPLACEMENT PROVIDED ABOVE AND, IN NO EVENT, SHALL THE COMPANY'S LIABILITY EXCEED THE PURCHASE PRICE PAID BY PURCHASER FOR THE PRODUCT.

This Warranty is in lieu of all other express warranties or liabilities. ANY IMPLIED WARRANTIES, INCLUDING ANY IMPLIED WARRANTY OF MERCHANTABILITY, SHALL BE LIMITED TO THE DURATION OF THIS WRITTEN WARRANTY. ANY ACTION FOR BREACH OF ANY WARRANTY HEREUNDER INCLUDING ANY IMPLIED WARRANTY OF MERCHANTABILITY MUST BE BROUGHT WITHIN A PERIOD OF 12 MONTHS FROM DATE OF ORIGINAL PURCHASE. IN NO CASE SHALL THE COMPANY BE LIABLE FOR ANY CONSEQUENTIAL OR INCIDENTAL DAMAGES FOR BREACH OF THIS OR ANY OTHER WARRANTY, EXPRESS OR IMPLIED, WHATSOEVER. No person or representative is authorized to assume for the Company any liability other than expressed herein in connection with the sale of this product.

Some states do not allow limitations on how long an implied warranty lasts or the exclusion or limitation of incidental or consequential damage so the above limitations or exclusions may not apply to you. This Warranty gives you specific legal rights and you may also have other rights which vary from state to state.

U.S.A: 1-800-323-4815

CANADA: Call 1-800-323-4815 for location of warranty station serving your area.



Audiovox Electronics Corporation
Hauppauge, NY 11788
Technical Assistance: 1-800-323-4815
www.jensen.com

© 2006 Audiovox
Ver. 120905
Printed in China

INTRODUCCIÓN

Felicitaciones por comprar el Receptor Jensen AM/FM/CD Móvil CD6111. Es buena idea leer completamente las instrucciones antes de iniciar la instalación. Recomendamos hacer instalar su Jensen CD6111 por una tienda reconocida.

Características

CD

- Compatible con CD-R / RW
- Memoria de última posición
- Aleatorio/Repetición/Introducción
- Búsqueda audible de pistas en alta velocidad
- Convertidor Digital/Analógico de 1 Bit
- Mecanismo anti choque eléctrico

RADIO AM/FM

- 24 estaciones preseleccionadas (12 FM, 6 AM)
- Radio Plus JENSEN II
- Almacenamiento de estación automático/escaneo de preselección
- Memoria de un toque
- Sintonía manual estéreo/mono, local/distante y arriba/abajo
- Sintonía de búsqueda automática arriba/abajo y escaneo de 5 segundos

Chasis

- Panel delantero removible electrónico con estuche rígido
- ISO/DIN montable importado
- Arnés de energía de 20 pines

General

- Pantalla de Cristal Líquido (LCD) de alto contraste
- Control remoto infrarrojo (incluido)
- iEQ3 - EQ instantáneo con 3 curvas EQ optativas - Clásico, Pop y Rock
- 1 par cada entrada auxiliar RCA trasera y salidas preamplificadas
- Control de audio rotativo con volumen, graves, agudos, balance derecho-izquierdo y delantero-trasero electrónicos
- Encendido de Botón Múltiple
- Expulsión de CD sin clave
- Voltajes de salida preamplificados RCA 4V Pico / 2V RMS
- Salidas preamplificadas RCA traseras
- Salida preamplificada de baja impedancia de 200-ohm
- Balance delantero-trasero Flex
- Iluminación configurada previamente de LED True Blue
- Volumen
- Reloj
- Mute (mudo)
- LED Antirrobo

Accesorios Opcionales

jPORT (Vendido por Separado)

- Controla su iPod y su Cambiador de CD
- Cable iPod aprobado jLink Apple (incluido)
- Adaptador jLink (incluido)

jAux (Vendido por Separado)

- Convierte entradas 3.5mm a salidas RCA para dispositivos auxiliares
- Adaptador bajo-tablero permite instalación rápida de dispositivos multimedia portables

PREPARACIÓN

Herramientas y Provisiones

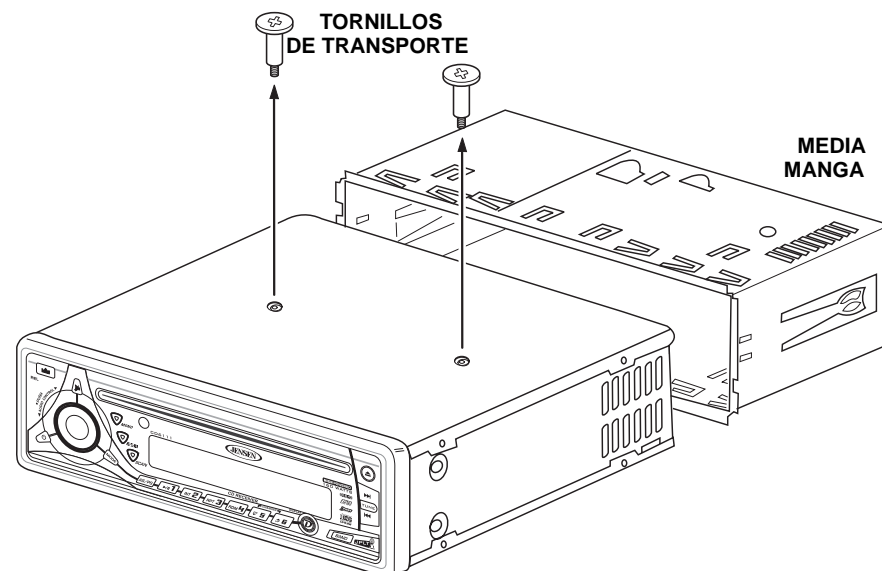
Las siguientes herramientas y provisiones son necesarias para instalar el radio:

- Llave torx, destornilladores plano y Philips
- Cúter y peladores de cables
- Herramientas para remover la radio existente (destornillador, equipo de llave de casquillo y otras herramientas)
- Cinta aisladora
- Enganchador
- Voltímetro / luz de prueba
- Conexiones para enganchar
- Cable de calibre 18 para conexiones eléctricas, cable de altoparlante de calibre 16 a 18

Requerimientos del altavoz: Solamente conecte los altavoces de carga de impedancia de 4 ohms. Altavoces con una carga de impedancia menor a los 4 ohms pueden dañar la unidad.

Preinstalación

1. **Desconecte la Batería**
Antes de empezar, siempre desconecte el terminal negativo de la batería.
2. **Quite Tornillos de Transporte**
3. **Quite el Radio de la Manga**
Levante el pestillo en ambos lados de la manga, quite la mitad del radio de la manga.



CABLEADO

Cableado con un Adaptador de Cables (Cómprelos por separado)

Conecte los cables

Usted puede hacer estas conexiones sin ni siquiera estar en el carro.

1. Una o conecte a presión.
2. Una el adaptador de cableado al arnés del cableado del carro.

Diagrama de cableado / Código de colores

1. Alimentación Antena (cable azul) - Conectar a la antena o al amplificador. Si no se utilizara el cable, se debe recubrir la punta del cable.
2. Accesorio/Ignición (cable roja) - Conectar al cable de la radio o al fusible de la radio.
3. Conexión a Tierra (cable negro) - Conectar a la terminal de tierra o a una superficie limpia de metal, sin pintura, del chasis.
4. Memoria/Batería (cable amarillo) - Conectar a la batería o a la fuente de energía de 12 voltios que está siempre viva. La radio no funcionará si este cable no está conectado.
5. Antenn - Conecte el enchufe de la antena desde el cable de la antena existente (algunos vehículos requieren un adaptador).
6. Cambiador de CD/Conector JPORT - Utilice esta toma DIN de 8 pines para conectar un Cambiador de CD opcional o JPORT (vendido por separado).
7. Cables auxiliares de entrada - Enchufe hembra de entrada RCA para utilizar con dispositivos de entrada auxiliares (Pasador de CD, etc.).
8. Salidas de RCA al Amplificador - Enchufe hembra de salida RCA para utilizar con amplificadores externos opcionales.
9. Altavoz Delantero Izquierdo
10. Altavoz Delantero Derecho
11. Altavoz Delantero Izquierdo
12. Altavoz Delantero Derecho

NOTA: Los amplificadores en este radio están únicamente diseñados para ser utilizados con cuatro altavoces. Nunca combine (haga puente) salidas para utilizar con dos altavoces. Nunca tome a tierra puntas negativas del altavoz al piso del chasis. No colocar los cables exactamente como se muestra puede causar daños eléctricos al radio.

Fusibles

Quando reemplace un fusible asegúrese que el fusible nuevo sea del tipo correcto y tenga el amperaje adecuado. Si utiliza un fusible incorrecto puede dañar la radio. El CD6111 utiliza un fusible de 15 amperios ubicado bajo el conector de cables (Fusible ATO de 15 Amperios disparo rápido).

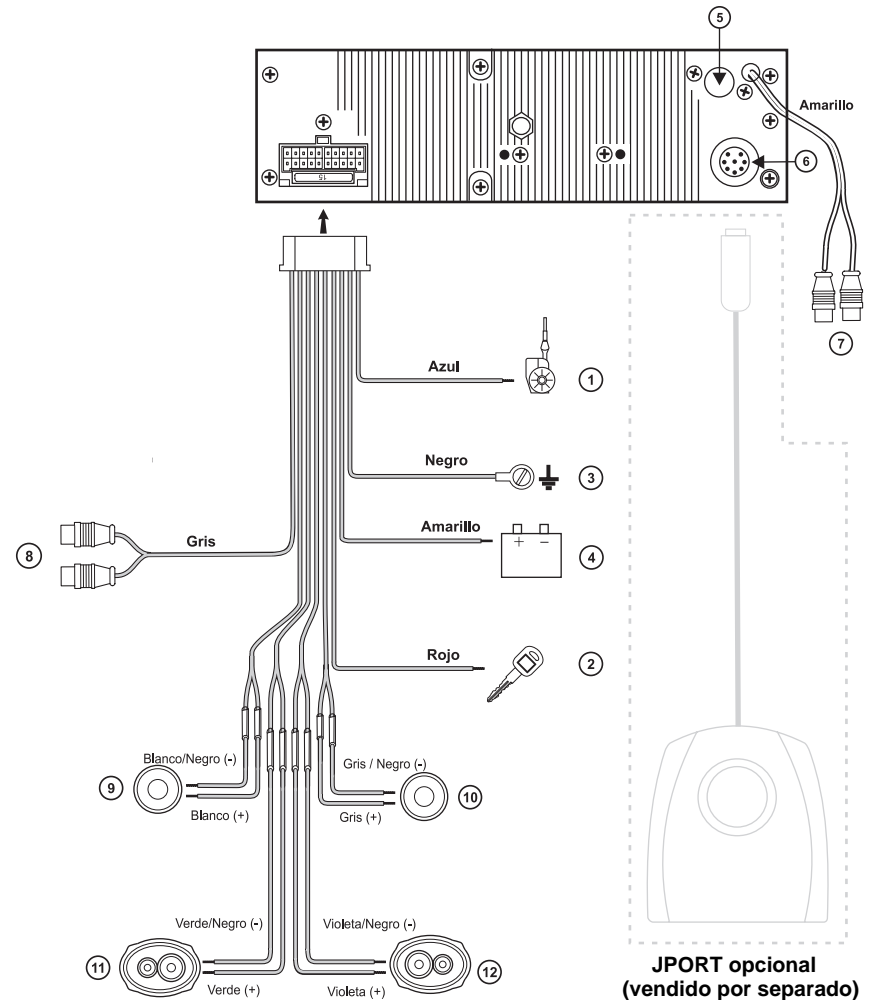
Reconexión de la Batería

Quando haya terminado de colocar los cables, podrá hacer la reconexión de la batería a la terminal negativa de la misma.

Asistencia Técnica

Si requiere asistencia, contacte al Soporte Técnico al 1-800-323-4815 de 8:30 AM a 7:30 PM tiempo del este de lunes a viernes y de 9:00 AM a 5:00 PM tiempo del este los sábados.

DIGRAMA CABLEADO

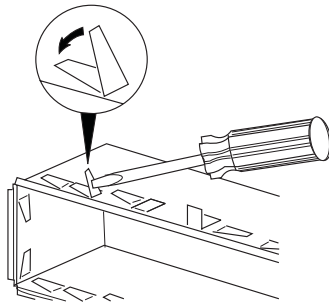


INSTALACIÓN

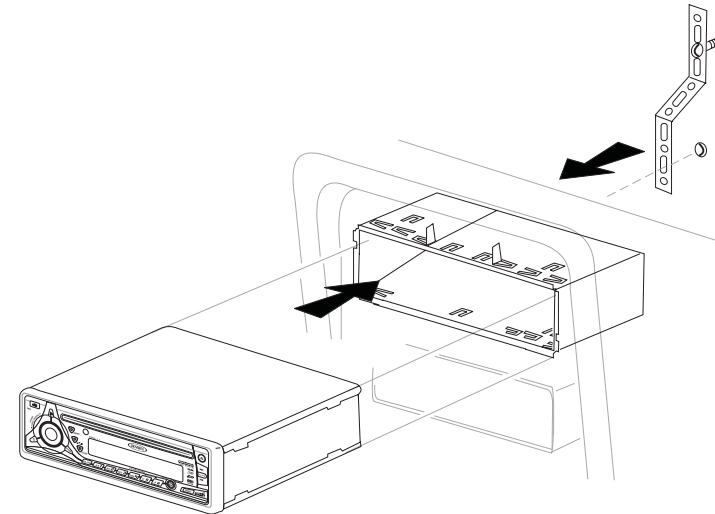
Esta unidad está diseñada para instalar en autos, camiones y camionetas (vans) con abertura para radio existente. En muchos casos, un equipo de instalación especial se necesitará para montar el radio al tablero de instrumentos. Estos equipos se consiguen en tiendas de artículos de electrónica y de estéreos de automóviles. Antes de comprar este equipo, asegúrese de que funcione con su vehículo. Si tiene problemas localizando un equipo de instalación o necesita asistencia para su instalación, contacte Soporte Técnico al 1-800-323-4815 de 8:30 AM a 7:00 PM tiempo del este de lunes a viernes y de 9:00 AM a 5:00 PM los sábados.

Instalación Universal Utilizando la Manga de Montaje

1. Quite el panel delantero desmontable, si está adherido al chasis, presionando el botón "Release".
2. Deslice la manga de montaje fuera del chasis. Si está trabada, utilice la herramienta para quitarla (provista). Las claves para quitar figuran en página 16.
3. Verifique el tamaño de apertura del tablero deslizando la manga de montaje adentro del mismo. Si la apertura no es lo suficientemente grande, cuidadosamente corte o lime hasta que la manga se deslice dentro de la apertura. No fuerce la manga dentro de la apertura o provoque que esta se doble. Verifique que haya suficiente espacio detrás del tablero para el chasis del radio.
4. Localice la serie de lengüetas para doblar en la parte superior, inferior y costados de la manga de montaje. Con la manga completamente insertada en la apertura del tablero, doble hacia afuera todas las lengüetas que sean necesarias para que la manga esté asegurada firmemente al tablero.



5. Ubique el radio en frente de la apertura del tablero de manera tal que los cables puedan pasar por la manga de montaje.



6. Siga el diagrama de cableado detalladamente y asegúrese que todas las conexiones del arnés de cables estén seguras y aisladas con tuercas para cables y cinta aisladora para asegurar el apropiado funcionamiento de la unidad.
7. Luego de completar las conexiones del cableado, ajuste el panel delantero y encienda la unidad para confirmar la operación (la ignición debe estar encendida). Si la unidad no opera, verifique nuevamente todas las conexiones de cables hasta que se solucione el problema. Una vez que se alcanza una operación correcta, apague el interruptor de ignición y proceda con el montaje final del chasis.
8. Cuidadosamente deslice el radio dentro de la manga de montaje, asegurándose que el lado correcto esté hacia arriba, hasta que esté completamente colocado y que las presillas lo traben en su lugar.
9. Adjunte un extremo de la cinta de soporte perforada (provista) al perno del tornillo en la parte de atrás del chasis utilizando la tuerca hexagonal provista. Asegure el otro extremo de la cinta perforada a una parte segura del tablero, ya sea arriba o abajo del radio, utilizando un tornillo y una tuerca hexagonal provista. Doble la cinta para colocarla en la posición necesaria. CUIDADO: La parte trasera del radio debe estar soportada con la cinta para prevenir daño al tablero debido al peso del radio o prevenir una operación incorrecta debido a la vibración.
10. Ajuste nuevamente el panel delantero al chasis y pruebe la operación del radio siguiendo las instrucciones operación de la unidad.

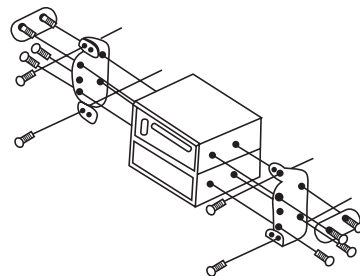
NOTA: Para una correcta operación del equipo de CD, el chasis debe estar montado dentro de los 20° de horizontalidad. Asegúrese que la unidad esté montada dentro de esta limitación.

Equipo de Instalación

Si su vehículo requiere el uso de un equipo de instalación par amontar este radio, siga las instrucciones incluidas con el equipo de instalación para adherir el radio al plato de montaje provisto en el equipo. Conecte el cable y verifique el radio como se determina en las instrucciones de Instalación Universal. Instale el radio o el ensamblaje del plato de montaje al segundo tablero, de acuerdo a las instrucciones en el equipo de instalación. Adjunte la cinta de soporte al radio y al tablero como se describe en las instrucciones de Instalación Universal. Reemplace el panel de ajuste del tablero.

Instalación ISO

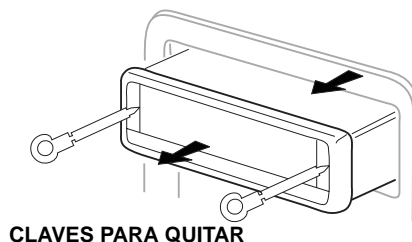
Esta unidad tiene agujeros roscados en los paneles laterales de chasis que pueden utilizarse con las ménsulas de montar originales de fábrica que vienen con algunos vehículos para motar el radio al tablero. Por favor, consulte en su tienda local de estéreos de automóviles si necesita asistencia en este tipo de instalación.



1. Quite del tablero el radio existente de fábrica o centre la consola de montaje. Guarde todos los elementos y ménsulas pues serán utilizados para montar el nuevo radio.
2. Con cuidado destrabe el marco plástico del frente del chasis del nuevo radio. Quite y deseche el marco.
3. Quite las ménsulas y elementos de montaje que vienen de fábrica con el radio existente y adhiéralos al nuevo radio. No exceda el tamaño de tornillo de M5 x 9MM. Tornillos más largos pueden tocar y dañar componentes dentro del chasis.
4. Conecte los cables del nuevo radio al vehículo como se especifica en las instrucciones de Instalación Universal.
5. Monte el ensamblaje del nuevo radio al tablero o a la consola central utilizando el procedimiento reverso al paso 1.

Cómo Desmontar el Radio

Inserte la(s) herramienta(s). Hale el radio hacia afuera. Desconecte el arnés del cableado, y quite el radio.



OPERACIÓN

Encendido

Presione el botón de encendido (1) o cualquier otro botón en el frente del radio para encender la unidad cuando la ignición del automóvil esté encendida. Presione el botón de encendido nuevamente para apagar el radio. Si el radio se dejó encendido cuando la ignición fue apagada por última vez, el radio se encenderá automáticamente cuando se encienda nuevamente la ignición. Si el radio fue apagado cuando la ignición se apagó por última vez, el radio debe ser encendido manualmente cuando se encienda la ignición nuevamente.

Modo

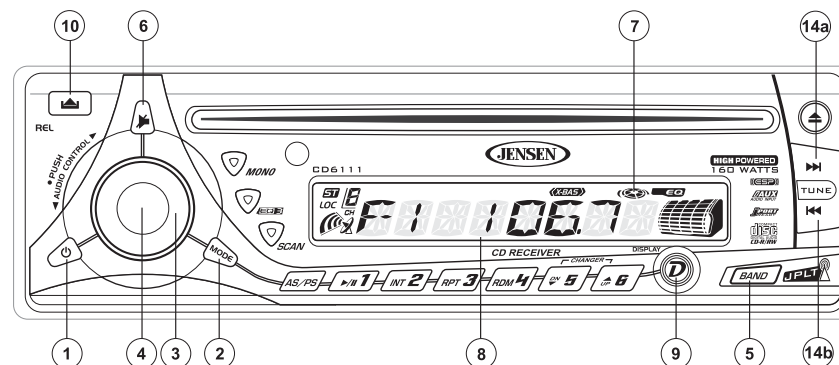
Presione **MODE** (2) para seleccionar un modo diferente de operación como se indica en la pantalla. Los modos disponibles incluyen radio, CD, cambiador de CD (CDC) y modo auxiliar. Durante la operación del equipo de CD, presionando **MODE** se cambiará a modo radio sin sacar el disco. El ícono de CD (7) permanecerá en la pantalla para mostrar que un disco está aún alojado en la unidad. A menos que un cambiador del CD esté conectado con la unidad el cambiador del CD (CDC) el modo no puede ser alcanzado. Para ingresar al modo auxiliar, presione **MODE** hasta "AUX" aparece en la pantalla.

Volumen

Para incrementar el volumen, rote la perilla de control de volumen (3) hacia el lado de las agujas del reloj. Para bajar el volumen, rote la perilla de control de volumen al contrario de las agujas del reloj. Cuando el volumen se ajusta, el nivel de volumen se muestra en la pantalla como un número en el rango de 00 (el más bajo) a 100 (el más alto).

Selección

Presione **PUSH** (4) para seguir paso a paso el menú de las funciones de audio. La primera opción es volumen (VOL), seguida de graves (BAS), agudos (TRB), apagado (FAD) y nuevamente a volumen (VOL). Cuando se ajustan las funciones de audio, la unidad automáticamente sale de modo selección y luego de cinco segundos retorna a la pantalla normal o cuando otra función sea activada.



Selección (continuado)

Graves

Presione **PUSH** (4) dos veces hasta que aparezca "BAS" en la pantalla. En los cinco segundos siguientes, rote la perilla de control de volumen (3) hacia el lado de las agujas del reloj o al revés para ajustar los graves desde "-10" a "+10". "00" representa una respuesta plana. Los niveles graves se mostrarán en la pantalla por cinco segundos o hasta que otra función se active.

Agudos

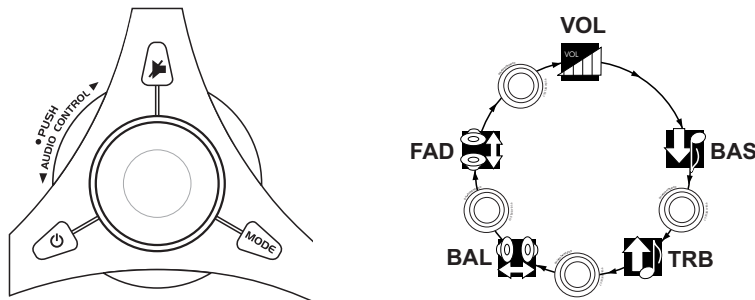
Presione **PUSH** (4) tres veces hasta que aparezca "TRB" en la pantalla. En los cinco segundos siguientes, rote la perilla de control de volumen (3) hacia el lado de las agujas del reloj o al revés para ajustar los agudos desde "-10" a "+10". "00" representa una respuesta plana. El nivel de agudos se mostrará en la pantalla por cinco segundos o hasta que otra función se active.

Balance

Presione **PUSH** (4) cuatro veces hasta que aparezca "BAL" en la pantalla. En los cinco segundos siguientes, rote el control de volumen (3) hacia el lado de las agujas del reloj o al revés para ajustar el balance entre los altavoces derecho e izquierdo desde "BAL 10R" (completamente a la derecha) a "BAL 10L" (completamente a la izquierda). "BAL L=R" representa un balance de nivel igual entre los altavoces derecho e izquierdo. La posición del balance se mostrará en la pantalla por cinco segundos o hasta que otra función se active.

Balance delantero y trasero (Fader)

Presione **PUSH** (4) cinco veces hasta que aparezca "FAD" en la pantalla. En los cinco segundos siguientes, rote el control de volumen (3) hacia el lado de las agujas del reloj o al revés para ajustar el balance entre los altavoces delanteros y traseros desde "FAD 10R" (completamente hacia atrás) a "FAD 10F" (completamente hacia adelante). "FAD L=R" representa un nivel de balance igual entre los altavoces delanteros y traseros. La posición de balance se mostrará en la pantalla por cinco segundos o hasta que otra función se active.



Contorno de Volumen / iX-BASS (BAND)

Presione **BAND** (5) por dos segundos para activar la función de Contorno de Volumen/iX-BASS. Cuando escuche música en niveles de volumen bajo, esta función potenciará los rangos bajos y agudos para compensar por las características del oído humano. Cuando esta función se active, "LOUD ON" aparecerá en la pantalla por cinco segundos. Presione **BAND**

por dos segundos nuevamente para desactivar esta función, y "LOUD OFF" aparecerá por cinco segundos.

Audio Mudo (MUTE)

Presione **MUTE** (6) por un momento para enmudecer el volumen del audio, "MUTE" destellará en la pantalla. Restablezca el volumen a la configuración previa presionando este botón nuevamente, ajustando el control de volumen o presionando cualquier otro botón en la unidad.

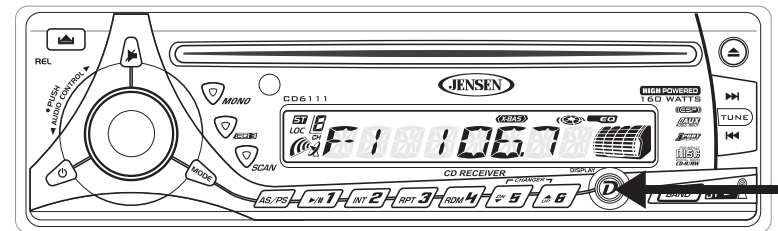
Pantalla de Cristal Líquido (LCD)

El panel de Pantalla de Cristal Líquido (LCD) (8) muestra la frecuencia, tiempo y funciones activadas de la unidad, incluyendo una combinación de indicador de nivel de audio y de disco, el cual aparece como íconos de disco dual con gráficos de barra circulares retratando la señal de audio. Además, la pantalla contiene un indicador de recepción de señal que retrata la fuerza relativa de la frecuencia de transmisión de entrada.

NOTA: Paneles LCD pueden tardar más en iluminarse cuando esté expuesto a temperaturas bajas durante un período prolongado de tiempo. Además, la visibilidad de los números en el LCD puede bajar. La pantalla LCD volverá a su normalidad cuando la temperatura suba a un rango normal.

Hora / Frecuencia (DISPLAY)

Cuando la unidad se apague, el LCD mostrará la hora del día. Cuando la unidad esté encendida, el LCD automáticamente mostrará la pantalla del radio, CD y cambiador de CD, dependiendo del modo de operación que esté activado.



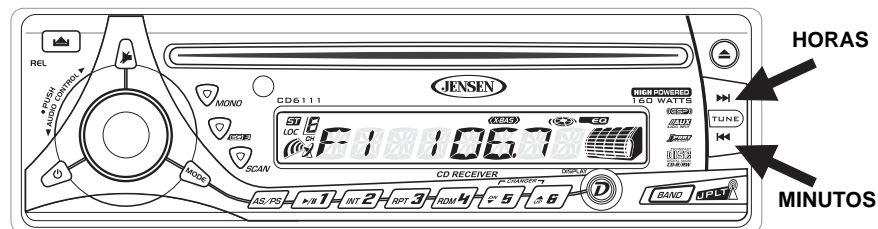
Mostrar el Reloj

Durante la operación del radio, CD o cambiador de CD, presione **DISPLAY** (9) momentáneamente para mostrar la hora del día. Luego de cinco segundos, la pantalla volverá a mostrar el radio, CD o cambiador de CD.

Poner en Hora el Reloj

1. Para poner en hora el reloj, encienda el vehículo y el radio.
2. Presione **DISPLAY** por un momento y la hora aparecerá en la pantalla.
3. Presione y mantenga presionado **DISPLAY** hasta que la hora empiece a destellar.
4. Mientras la pantalla esté aún destellando, presione el botón de Sintonía hacia Arriba (14a) para ajustar la hora y la indicación de "A" (AM) o "P" (PM). Presione el botón de Sintonía hacia Abajo (14b) para ajustar los minutos.

- Luego de cinco segundos, la hora estará configurada en la unidad y la pantalla volverá a mostrar el radio, CD o cambiador de CD.

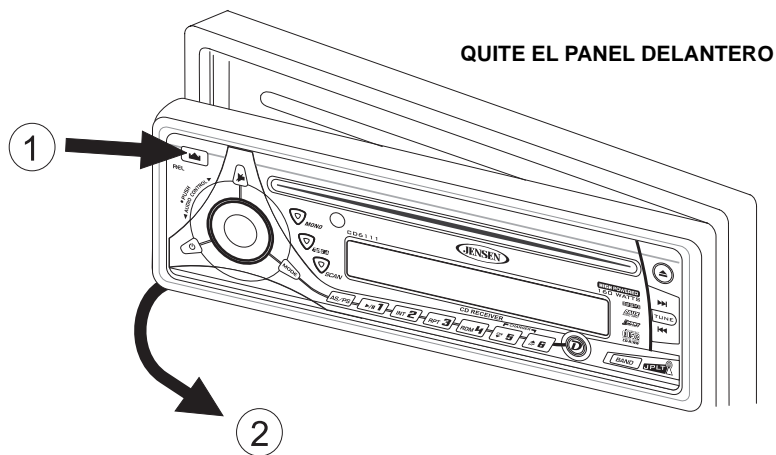


Remover el Panel Delantero

El botón para remover el panel delantero (10) suelta el mecanismo que sujeta el panel al chasis.

Removiendo el Panel Delantero

Para remover el panel delantero, presione el botón para liberar el panel, el cual se destrabará del lado izquierdo. Tome el lado liberado y quite completamente el panel fuera del chasis. Cuando el panel delantero se extrae, debe ser guardado en la caja para transportarlo y así protegerlo de suciedad o daños.

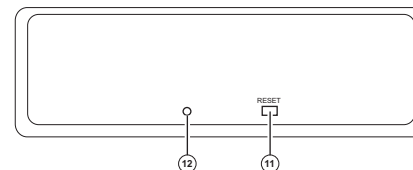


Reinsertando el Panel Delantero

Para colocar nuevamente el panel, asegúrese que no hay polvo o suciedad en las terminales electrónicas de la parte trasera del panel, esto puede causar una operación intermitente u otro mal funcionamiento. Posicione la parte derecha del panel en su lugar de tal forma que esté correctamente enganchado, luego presione suavemente la parte izquierda del panel hasta que el mecanismo se trabe en su lugar.

Botón de Reconfigurar (Reset)

El botón para reconfigurar (reset) (11) está ubicado en el frente del chasis y solamente se puede acceder a él quitando el panel frontal. El sistema de circuitos de reconfiguración protege los circuitos del microprocesador. Debido a que el uso del botón de reconfiguración borraría la hora y las memorias grabadas, el mismo sólo debe ser activado en la instalación inicial, luego de que todo el cableado esté conectado, o si funciona mal algún interruptor de la unidad. En estas circunstancias, presionando el botón reset puede limpiar el sistema y retornar la unidad a una operación normal.



Luz Antirrobo

Un diodo emisor de luz (LED, por sus siglas en inglés) (12) se ubica en el chasis, detrás del panel delantero, el cual destella cuando el panel es removido de su lugar. La luz destellante sirve, en caso de posibles robos, como advertencia visual de que la unidad ha sido desarmada y el panel delantero removido.

OPERACIÓN DEL RADIO

Selector de Banda AM/FM (BAND)

Presione **BAND** (13) durante la operación del radio para cambiara entre tres bandas FM y una banda AM. "F1", "F2", "F3" o "AM" aparecerá en la pantalla para indicar la banda actualmente seleccionada.

Sintonía

Sintonía Automática

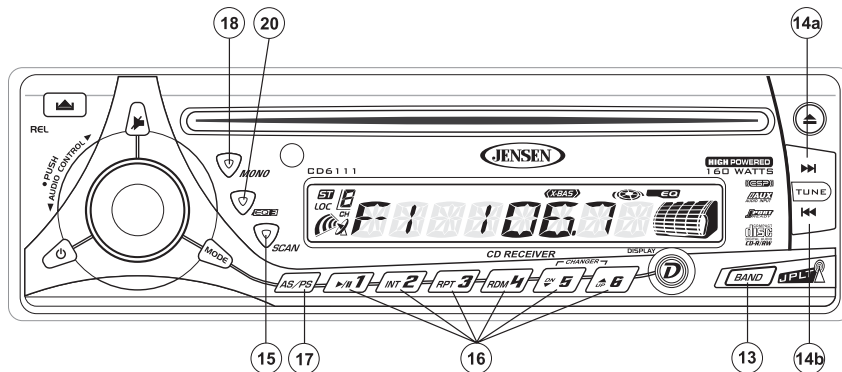
Presione por un momento el botón de sintonía hacia arriba, Up Tuning (14a), para sintonizar frecuencias altas en el dial y el botón de sintonía hacia abajo, Down Tuning (14b), para sintonizar frecuencias bajas. La unidad automáticamente se detendrá en la próxima estación radial potente. Si el modo Local está activado, el radio buscará la próxima estación local potente cuando alguno de los botones esté presionado.

Sintonía Manual

Presione el botón de sintonía hacia arriba, Up Tuning (14a), o hacia abajo, Down Tuning (14b), por más de dos segundos para seleccionar el modo de sintonía manual. "MANUAL" aparecerá momentáneamente en la pantalla. Presione por un corto lapso los botones de sintonía hacia arriba o hacia abajo para mover la frecuencia de a dos dígitos por vez. Presione y mantenga presionado los botones de sintonía hacia arriba o hacia abajo, Up o Down, para avanzar rápido a determinada frecuencia. Libere el botón cuando alcance la frecuencia deseada. Si la sintonía no se ajustó en los cinco segundos siguientes luego de entrar al modo manual de sintonía, el radio volverá a sintonía automática y "AUTO" aparecerá momentáneamente en la pantalla.

Recorrido de Sintonía (SCAN)

Presione **SCAN** (15) para recorrer la sintonía hacia arriba en todos los canales potentes de la banda seleccionada. La unidad parará en cada estación, tocará por cinco segundos y la frecuencia de la estación destellará en la pantalla durante esos momentos. Presione **SCAN** nuevamente para parar el recorrido de sintonía y quedar escuchando determinada estación.



Estaciones Preseleccionadas

Se pueden almacenar hasta seis estaciones preseleccionadas, las cuales pueden ser instantáneamente seleccionadas presionando el botón asociado a cada una (16). Para almacenar una estación, prenda el radio y seleccione la estación deseada. Presione y mantenga presionado por más de dos segundos el botón al cual desea asociarla (del número uno al seis en la parte delantera del radio). Cuando se grabe la estación, el número preseleccionado aparecerá en la pantalla. La estación estará guardada y se puede acceder a ella en cualquier momento

presionando el botón asociado a ella. Repita este procedimiento para los cinco botones restantes en esa misma banda y para todos los botones en las otras tres bandas.

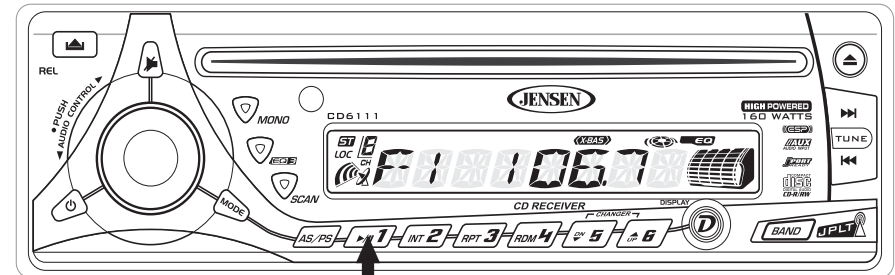
Grabado Automático / Recorrido de Sintonía Preseleccionado (AS/PS)

Grabado Automático

Seleccione seis estaciones potentes de la banda elegida y grábelas utilizando la función de Grabado Automático. Para habilitar esta función, presione y mantenga presionado **AS/PS** (17) por más de dos segundos. El radio automáticamente buscará en la banda en uso y guardará en las posiciones de preselección de la memoria las estaciones potentes. Luego de ingresar las estaciones en la memoria, la unidad automáticamente parará en cada estación por cinco segundos de tal forma que se pueda escuchar cada una. Cuando se utiliza la funcionalidad de Grabado Automático, las nuevas estaciones reemplazarán las estaciones preseleccionadas en la memoria en esa banda.

Recorrido de Sintonía Preseleccionado

Presione **AS/PS** (17) por un momento para recorrer las seis estaciones preseleccionadas en la banda actual. La unidad parará en cada estación por cinco segundos antes de continuar a la próxima estación preseleccionada y el número asociado destellará en la pantalla durante el recorrido de sintonía. Presione por un momento **AS/PS** nuevamente para detener el recorrido y escuchar la estación actual.



PRESIONE Y MANTEGNA PRESIONADO



EL NÚMERO PRESELECCIONADO APARECERÁ

Selector Mono/Estéreo (MONO)

Presione **MONO** (18) para seleccionar una recepción en estéreo de la señal de radio recibida. Bajo recepción normal, la unidad debería dejarse en modo estéreo como se indica por la designación "ST" y el indicador de fuerza de señal asociada que aparece en la pantalla cuando se sintoniza una señal estéreo FM. Si la señal posee mucho ruido, para escuchar confortablemente presione **MONO** para cambiar a recepción monoaural, y el indicador "ST" desaparecerá. Presione **MONO** nuevamente para regresar a modo estéreo.

Selector de Ecuilizador (iEQ)

La función de ecualizador aplica efectos de sonido preseleccionados a la señal de salida de audio de la unidad. Presione **iEQ** (20) para activar uno de los siguientes modos de operación: FLAT (plano), CLASSICS (clásico), POP M, ROCK M o DSP OFF. Cuando la función de ecualizador se activa, los niveles de graves y agudos seleccionados más recientemente son ignorados. Si los niveles de graves y/o agudos se ajustan cuando la función de ecualización está activa, el ecualizador los va a revertir a FLAT (plano). Cuando la función de ecualización no está activa, la unidad va a retornar a los niveles graves y agudos seleccionados más recientemente.

OPERACIÓN DEL EQUIPO DE CD

Insertar un CD

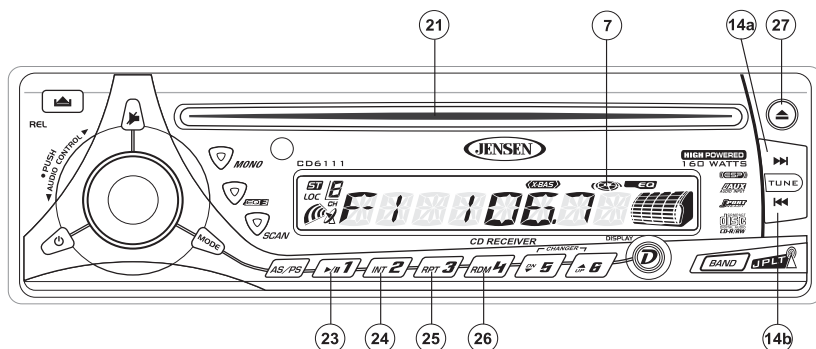
Con el lado del sello hacia arriba, suavemente inserte el disco en la ranura para CD (21) hasta que el suave mecanismo de carga enganche el CD y lo jale hacia adentro. Se inicia la ejecución del disco y por un momento aparecerá en la pantalla "S--CDP" y el ícono de CD se moverá. "CDP" aparecerá en la pantalla por cinco segundos. El centro del ícono de CD se ilumina (7) y se mueve, y el número de pista y su duración aparecerán en la pantalla.

NOTA: La unidad está diseñada para pasar discos compactos estándar de 5" solamente (12 cm.). No intente utilizar CD simples de 3" (8 cm.) en esta unidad, con o sin adaptador, pues puede causar daños en el equipo y/o en el disco. Tales daños no serán cubiertos por la garantía de este producto.

Selección de Pista

La función de selección de pista se utiliza para acceder rápidamente al inicio de una pieza determinada cuando se pasa un disco. Presione el botón de sintonía hacia arriba, Up Tuning (14a), para adelantar o el botón de sintonía hacia abajo, Down Tuning (14b), para retroceder en el disco y ubicar la pieza deseada. Los números de las piezas aparecerán en la pantalla cuando se las seleccione.

Presione y mantenga presionado los botones de sintonía hacia arriba o hacia abajo (Up Tuning o Down Tuning) para un avance o retroceso rápido en el disco. Durante cualquiera de estas funciones, el tiempo de duración aparecerá en la pantalla. Suelte el botón para reanudar la ejecución del CD.



Pausa

Presione pausa (23) para suspender la ejecución del disco. "S--PAUSE" aparecerá en la pantalla, y el centro del ícono del disco (7) dejará de rotar. Presione PAUSA nuevamente para reanudar la ejecución del disco. La indicación "S--PAUSE" desaparecerá de la pantalla y la ejecución se reanudará desde el punto en el cual la pausa ocurrió.

Recorrido (SCN)

Durante la ejecución del disco, presione **SCN** (24) para escuchar los primeros 10 segundos de cada pista en el disco. "S--SCN" aparecerá en la pantalla. Cuando se alcance la pista deseada, presione **SCN** nuevamente para terminar con la función de recorrido y ejecutar la pista seleccionada. "S--SCN" desaparecerá de la pantalla. La función de recorrido también será cancelada activando las funciones de repetición o de entremezclar.

Repetición (RPT)

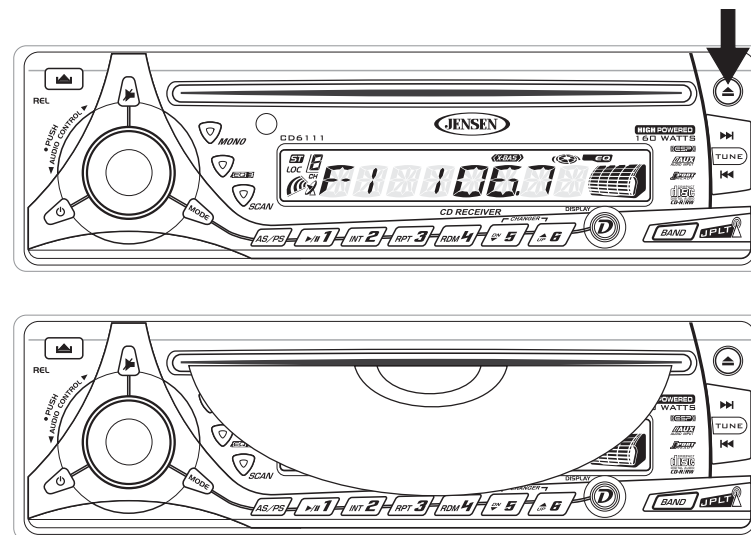
Presione **RPT** (25) durante la ejecución del disco para continuamente repetir la misma pista. "S--RPT" aparecerá en la pantalla. Presione **RPT** nuevamente para detener la repetición. "S--RPT" desaparecerá de la pantalla y se reanudará una ejecución normal. La función de repetición también será cancelada activando las funciones de recorrido o entremezclar.

Entremezclar (SHF)

Presione **SHF** (26) durante la ejecución del disco para pasar todas las pistas aleatoriamente en un orden entremezclado. "S--SHF" aparecerá en la pantalla. Presione **SHF** nuevamente para detener la ejecución entremezclada. "S--SHF" desaparecerá y se reanudará una ejecución normal. La función de entremezclar también será cancelada activando las funciones de recorrido o repetición.

Expulsar Disco

Presione el botón de expulsar (27) para detener la ejecución del CD y expulsar el disco. La unidad cambiará a radio o cambiador de CD, dependiendo del modo en operación anterior a la ejecución del disco. Si el disco no se quita de la unidad dentro de los 15 segundos siguientes, el disco será cargado nuevamente dentro de la unidad para evitar daños. El ícono de CD (7) aparecerá en la pantalla para indicar que el disco está cargado en el equipo. La ejecución del disco puede ser reasumida presionando **MODE** (2) para elegir la función de ejecución de CD.



Códigos de Error del Equipo de CD

Si un problema surge mientras se opera el equipo de CD, un código de error (ER-1, ER-2, etc.) puede aparecer en la pantalla. Esto puede indicar problemas con la unidad, incluyendo un error mecánico o un error de control del microprocesador del equipo. Si aparece un error de código, intente solucionarlo expulsando y recargando el disco dentro del equipo. Mientras el disco esté fuera de la unidad, asegúrese que esté limpio, sin daños y correctamente colocado. Si esto no resuelve el problema, intente presionando el botón de reconfiguración (11), pero esto borrará la hora y las memorias preseleccionadas. Si las medidas sugeridas no resuelven el problema, contáctese con el servicio de garantía oficial más cercano para recibir asistencia.

OPERACIÓN DEL CAMBIADOR DE CD

Por favor, llame al soporte técnico Jensen al 1-800-323-4815 para obtener una lista completa de Cambiadores de CD compatibles con esta unidad. Los siguientes Cambiadores de CD Jensen son compatibles con esta unidad: JCH10RF y CH1001.

Luego que el cambiador de CD ha sido instalado y conectado adecuadamente, presione el botón Reset (11) para iniciar la instalación. Diríjase al manual del propietario incluido en el cambiador de CD para obtener instrucciones de su instalación, carga y uso del depósito de CD.

Modo de Cambiador de CD

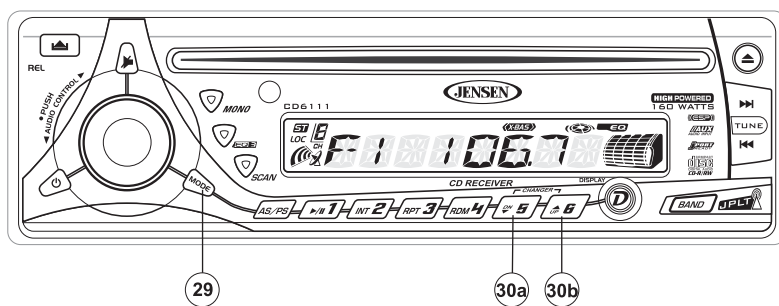
Presione MODE (29) durante la ejecución de la radio o de un CD para seleccionar la operación de cambiador de CD. "CDC" aparecerá en la pantalla. La ejecución del disco comenzará y el disco y los números de sus pistas se mostrarán en la pantalla. Si el nuevo depósito ha sido cargado dentro del cambiador, la ejecución se iniciará desde la primera pista del primer disco. Si el depósito estaba ya cargada en el cambiador, la ejecución se reanudará desde la pista en el disco que estaba siendo ejecutado previamente.

Selección de Disco (UP/DN)

Para seleccionar el disco deseado, utilice el botón **UP** (30a) para avanzar hacia un número de disco superior o el botón **DN** (30b) para moverse a un número de disco inferior. El número de disco en ejecución será mostrado en la pantalla.

Otras Funciones

Las funciones de Pausa (Pause), Rastreo (Scan), Repetición (Repeat), Entremezclar (Shuffle), Selección de Pista (Track Select) y Avance y Retroceso Rápidos (Fast Forward/Fast Reverse) durante la ejecución del cambiador de CD, se pueden utilizar en la misma forma que para la ejecución de un CD regular. Refiérase a la sección de Operación del Equipo de CD de este manual si desea más detalles.



Códigos de Error del Cambiador del CD

Si los problemas se presentan durante la operación del cambiador del CD, los códigos de error siguientes pueden aparecer en la exhibición:

ER-1: Ningún compartimiento cargó en el cambiador del CD.

ER-2: Problema en la función del cargamento del disco.

ER-3: Error en la función del cargamento del disco.

ER-4: Error en la función que descarga del disco.

ER-5: Error en la posición del compartimiento.

ER-6: Error en la posición de la recolección del laser.

ER-7: Error en el foco del laser en el disco.

Para resolver cualesquiera de los problemas antedichos, intento que expulsa el compartimiento del cambiador y que se asegura de que los discos son limpios, indemnes y cargados correctamente. Presionar el botón del reajuste (11) puede ayudar, pero éste borrará el tiempo y preestablecerá memorias. Si las medidas sugeridas no solucionan el problema, entre en contacto con una estación aprobada de la garantía cerca de usted para la ayuda adicional.

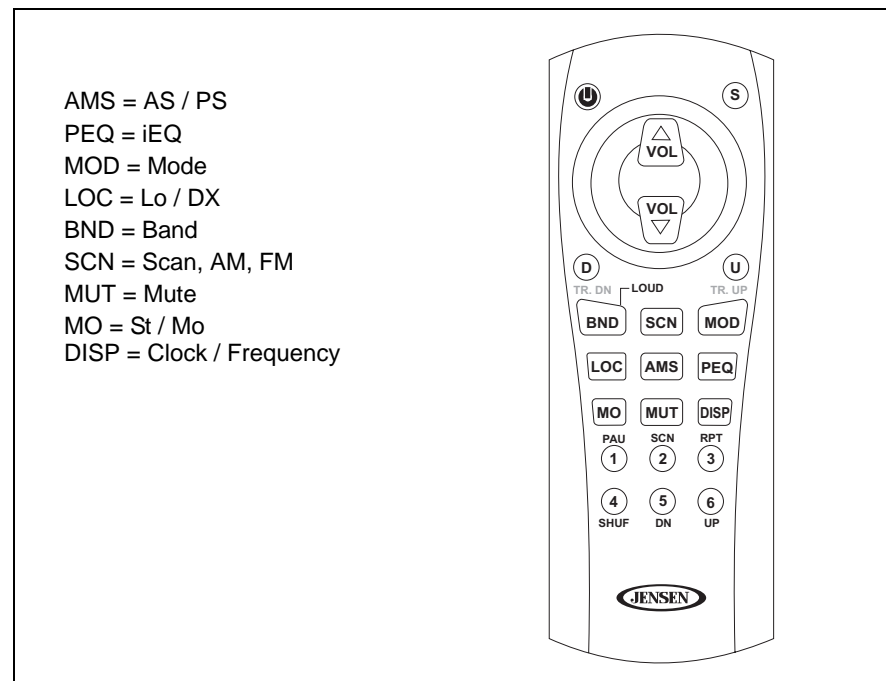
OPERACIÓN DEL JPORT

Luego que el JPORT ha sido instalado y conectado, presione el botón Reset (11) para iniciar la instalación. El JPORT puede ser usado para controlar su iPod o un Cambiador de CD opcional. **Lea el manual del propietario incluido con el JPORT para obtener instrucciones sobre la operación de dispositivos externos conectados a su JPORT.**

CONTROL REMOTO

El control remoto le permitirá controlar las funciones básicas del CD6111.

El sensor del mando a distancia está en la izquierda superior del botón de **MONO** (18).



CUIDADO Y MANTENIMIENTO

Cuidado del Equipo de CD

Las siguientes guías le ayudarán a extender la vida de su equipo de CD:

1. Cuando limpie el interior del vehículo, no utilice agua o líquidos de limpieza en la unidad.
2. El equipo de CD no operará adecuadamente en condiciones de temperaturas extremas como caliente o frío o en condiciones de humedad. En caso de tales casos, espere hasta que el interior del vehículo alcance una temperatura normal o que cualquier condensación en los lentes del equipo de CD haya evaporado antes de utilizar el equipo.
3. Nunca inserte nada de menos de 5" de diámetro del CD en el equipo. Intentar insertar un CD de otro tamaño (aún con un adaptador) puede causar daños no cubiertos por la garantía.
4. Siempre quite el CD cuando no utilice el equipo.
5. La unidad está diseñada con un mecanismo de amortiguación de la vibración para minimizar la interrupción de la ejecución del disco debido a la vibración normal de un vehículo en movimiento. Sin embargo, cuando esté conduciendo en caminos en malas condiciones, es posible que algunos sonidos se escapen. Esto no rayará o dañará el disco. Cuando las malas condiciones del camino cesen, se reanudará la ejecución normal.

Información de Discos

CD-R / CD-RW

Algún CD-R/RW's puede ser incompatible con esta unidad. **La sesión erecording debe ser cerrada.** Refiera por favor a sus procedimientos recomendados software's para cerrar un disco. Repase su software de la grabación para familiarizarse con los procedimientos correctos de la grabación. Recomendamos el usar de las versiones más últimas software de la grabación de ROXIO TM o de NERO TM.

Esta unidad reconoce solamente el formato de CDDA (audio de Digital del disco compacto) registrado sobre un CD-R/RW. Esta unidad no apoya el MP3, el WMA, el WAV, el OGG u otros formatos. El formato de CDDA es el formato estándar de un almacén original comprado CD. Cerciórese de que el formato de CDDA esté seleccionado al registrar un CD-R/RW.

Cuidado y Manejo del CD

La suciedad, polvo, rayas o combado puede causar saltos en la reproducción y deterioro en la calidad del sonido. Por favor, siga estos lineamientos para el cuidado de sus discos compactos.

1. Cuidadosamente limpie con una tela suave las huellas digitales, polvo y suciedad de la superficie del disco a ejecutar. Realice un movimiento derecho desde el interior al exterior del disco.
2. Nunca utilice químicos tales como vaporizadores para discos o limpiadores del hogar para limpiar CD, pues pueden dañar al superficie del disco irreparablemente.
3. Los discos se deben mantener en sus cajas cuando no están siendo utilizados.
4. No esponga los discos a la luz del sol, a temperaturas altas o a condiciones de humedad alta por períodos prolongados.
5. No pegue papel, cinta o etiquetas en las superficies del disco ni escriba con ningún tipo de marcador.

CORRECCIÓN DE PROBLEMAS

Problema	Causa	Correccion
El equipo no funciona (el visualizador no se enciende)	No hay corriente en el cable amarillo. No hay corriente en el cable rojo.	Revise la conexión con la luz de prueba. Revise el fusible del vehículo con la luz de prueba.
	El fusible está quemado	Reemplace el fusible.
La alimentación no va a la unidad	El fusible está quemado	Examine/reemplace el fusible.
Ninguno de los altoparlantes funciona (las luces del visualizador funcionan).	El colector del altoparlante no está conectado	Conecte el colector de cables del altoparlante. Revise los cables del altoparlante.
No todos los altoparlantes funcionan	Conexiones o conectores incorrectas	Examine todas las conexiones y los conectores.
	Los cables del altoparlante hacen cortocircuitos hasta la conexiones	Examine las conexiones y recubra los cables pelados con cinta aislante.
Fusibles quemados	El cable hace cortocircuito en la conexión a tierra	Asegúrese de que el cable no está pellizcado.
	Los cables del altoparlante producen cortocircuitos en la conexión a tierra	Asegúrese de que el cable no está pellizcado.
	Fusible incorrecto/fusible demasiado pequeño	Instale el fusible do voltaje apropiado.
El CD salta demasiado	El montaje del receptor no está sólido o la correa de retención no está bien segura	Revise la correa de montaje y retención, ajústela si es necesario.

ESPECIFICACIONES



Grados de energía de CEA

Potencia 13 Vatios RMS X 4 canales a 4-ohms @ < 1% THD+N
 Señal a ruido 64dBA debajo de referencia. (Referencia: 1 vatio, 4-ohmios)
 Energía dinámica 64 vatios @ de 4-ohms, todos los canales conducidos
 Respuesta de frecuencia. 20Hz to 20kHz (-3dB)
 Voltaje de la Referencia 14.4VDC

Discos Compactos

Señal a ruido >90dBA
 Respuesta de frecuencia. 20Hz-20kHz, -3dB
 Separación de canal >55dB @ 1kHz
 Convertidor digital a analógico 1 Bitios/CH

Sintonizador de FM

Rango de sintonía 87.5MHz-107.9MHz
 Sensibilidad de FM monofónica 12dBf
 Sensibilidad del silenciador de 50dB (estereofónico) 16dBf
 Separación estereofónica @ 1kHz >35dB
 Respuesta de frecuencia. 30Hz-12kHz, -3dB

Sintonizador de AM

Rango de sintonía 530kHz-1710kHz
 Sensibilidad de AM 30uV
 Respuesta de frecuencia. 30Hz-2kHz, -3dB

Entrada Auxiliar

Sensibilidad de la entrada. 400mV RMS por 1 vatio RMS a 4-ohms
 Respuesta de frecuencia. 20Hz a 20kHz, -3dB
 Impedancia de la entrada 10 k-ohms

General

Fuente de alimentación 11-16 V Corriente Directa, tierra negativa
 Fusible ATO de quemadura rápida de 15 amperios
 Dimensiones 2 x 7 x 7 pulg.(51mm x 178mm x 178mm)

Especificaciones sujetas a cambio sin aviso previo.

GARANTIA LIMITADE DE 12 MESES

AUDIOVOX CORPORATION (la Compañía) garantiza al comprador minorista original del presente producto que en el caso de que este producto o cualquiera de las partes del mismo, bajo circunstancias y condiciones de uso normal, tuviera algún defecto, tanto en el material como en la mano de obra, dentro de un plazo de 12 meses a partir de la fecha de compra original, dicho(s) defecto(s) serán reparados o reemplazados (a criterio de la Compañía) sin cargo alguno por las piezas y la mano de obra para la reparación. Para obtener servicios de reparación o sustitución en virtud de los términos y las condiciones de la presente Garantía, entre en contacto con por favor Jensen en el número de teléfono proporcionado abajo.

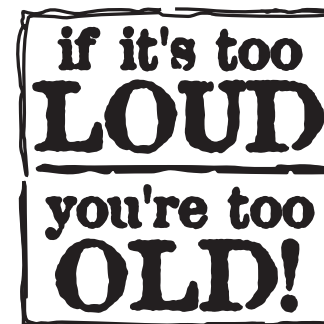
Esta Garantía no cubre la eliminación de la estática del automóvil ni los ruidos del motor, la corrección de los problemas de antena, los gastos incurridos para la remoción o la reinstalación del producto, o los daños provocados a las cintas, los discos compactos, los accesorios o los sistemas eléctricos del vehículo. Esta Garantía no se aplica a aquellos productos, o partes de los mismos, que según opinión de la Compañía, hayan sufrido algún daño o fue dañado como consecuencia de alguna alteración, instalación incorrecta, maltrato, uso indebido, negligencia, accidente o por la eliminación o mutilación de las etiquetas correspondientes al número de serie y código de barras de la fábrica. LA RESPONSABILIDAD QUE LA COMPAÑÍA ASUME EN VIRTUD DE LA PRESENTE GARANTIA SE LIMITA A LA REPARACION O LA SUSTITUCION QUE SE MENCIONAN ANTES Y, BAJO NINGUNA CIRCUNSTANCIA, LA RESPONSABILIDAD DE LA COMPAÑÍA HABRA DE EXCEDER EL PRECIO DE COMPRA QUE EL COMPRADOR PAGO POR EL PRODUCTO.

Esta Garantía reemplaza a toda otra garantía expresa o implícita. TODA GARANTIA IMPLICITA, INCLUYENDO AQUELLAS GARANTIAS IMPLICITAS DE BUENA CALIDAD Y COMERCIALIZACION, ESTARA LIMITADA A LA DURACION DE ESTA GARANTIA ESCRITA. CUALQUIER TIPO DE DEMANDA JUDICIAL POR INCUMPLIMIENTO DE ALGUNAS DE LAS CONDICIONES DE LA GARANTIA ESPECIFICADA EN EL PRESENTE, INCLUIDA CUALQUIER GARANTIA IMPLICITA DE BUENA CALIDAD Y COMERCIALIZACION, DEBERA PRESENTARSE EN EL PLAZO DE 12 MESES A PARTIR DE LA FECHA DE LA COMPRA ORIGINAL. DE NINGUN MODO LA COMPAÑÍA TENDRA RESPONSABILIDAD ALGUNA POR CUALQUIER DAÑO O PERJUICIO INDIRECTO O INCIDENTAL OCASIONADO POR EL INCUMPLIMIENTO DE LA PRESENTE GARANTIA, O DE CUALQUIER OTRA GARANTIA EXPRESA O IMPLICITA. Ninguna persona ni representante está autorizada a asumir responsabilidad alguna en nombre de la Compañía, excepto por lo expresado en la presente garantía, en relación con la venta de este producto.

Algunos estados no permiten limitaciones respecto de la duración de una garantía implícita o la exclusión o limitación de los daños indirectos o incidentales, por lo tanto, es posible que las limitaciones antes citadas no correspondan en su caso. La presente Garantía le otorga derechos especiales y usted puede gozar de otros derechos que varían de un estado a otro.

U.S.A : 1-800-323-4815

CANADA: Llamar a 1-800-323-4815 para la ubicación de la estación que le proporciona servicio de garantía.



Audiovox Electronics Corporation
Hauppauge, NY 11788
Technical Assistance: 1-800-323-4815
www.jensen.com

© 2006 Audiovox
Ver. 120905
Impreso en China

INTRODUCTION

Félicitations d'avoir acheté un Récepteur AM/FM/CD Mobile Jensen CD6111. C'est une bonne idée de lire toutes les instructions avant de commencer l'installation. Nous recommandons que vous faires installer votre Jensen CD6111 par une boutique d'installation de bonne réputation.

Fonctions

CD

- Compatible CD-R/RW
- Mémoire de la dernière position
- Hasard/Répétition/Intro
- Recherche piste audible de haute vitesse
- Convertisseur D/A à 1 bit
- Mécanisme anti-choc

Tuner AM/FM

- 24 stations pré-réglées (12 FM, 6 AM)
- Tuner II Jensen Plus
- Stockage de stations/Balayage pré-réglé automatique
- Mémoire à touche unique
- Syntonisation stéréo/mono, local/à distance, vers le haut/vers le bas à la main
- Recherche syntonisation vers le haut/vers le bas automatique et syntonisation balayage à 5 secondes

Châssis

- Face détachable électronique avec étui dur
- Import ISO/DIN montable
- Harnais de puissance 20 aiguilles

Général

- Affichage à cristaux liquides à haut contraste (LCD)
- Télécommande infrarouge (fourni)
- iEQ3 - EQ instantané avec 3 courbes EQ sélectionnables - Classique, Pop et Rock
- Un paire entrées auxiliaires RCA à l'arrière et des sorties pré-amplification
- Contrôle audio enchiffreur à rotation avec volume, basse, aigu, balance, équilibreur électronique
- Puissance en marche multi-bouton
- Ejection du CD sans touche
- Voltages sorties pré-amplification 4V Peak/2V RMS RCA
- Sorties pré-amplification RCA à l'arrière
- Sortie pré-amplification à basse impédance 200 ohm
- Flex-équilibreur
- Illumination pré-réglée True Blue DEL
- Intensité
- Horloge
- Muet
- DEL anti-vo

Accessoires facultatifs

jPORT (vendu séparément)

- Contrôle votre iPod et votre changeur CD
- Câble iPod approuvé par iLink Apple (fourni)
- Adaptateur iLink (fourni)

iAUX (vendu séparément)

- Convertit entrée 3,5mm aux sorties RCA pour des engins auxiliaires
- L'adaptateur sous le tableau de bord permet l'installation rapide des engins média portatifs

PRÉPARATION

Outils et matériel

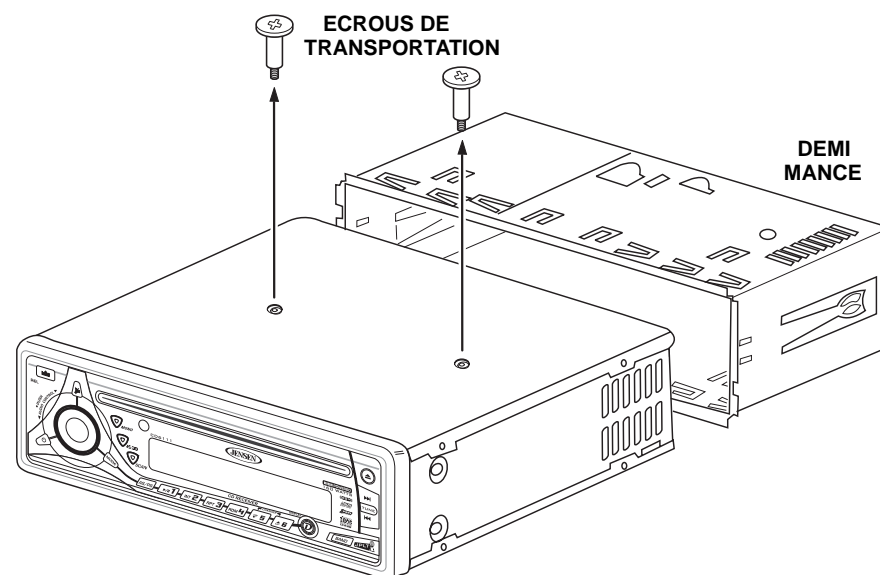
Vous aurez besoin des outils et du matériel suivants pour installer la radio :

- Type Torx des tournevis Plat et Philips
- Des coupeurs de fil et séparateurs d'épuisement
- Outils pour enlever la radio existante (tournevis, un ensemble de clés à douille et d'autres outils)
- Bande électrique
- Outil à sertissage
- Voltmètre/lumière d'épreuve
- Connexions à sertissage
- Fer jauge 18 pour branchage puissance, fer jauge 16-18 de haut parleur

Pour les haut parleurs : Ne connectez que les haut parleurs qui sont évalués pour une impédance de charge de 4 ohms. Des hauts parleurs avec une impédance de charge de moins de 4 ohms peuvent nuire à l'appareil.

Pré-installation

1. **Débranchez la pile**
Débranchez toujours la borne négative de la pile, avant de commencer
2. **Enlevez les écrous de transportation**
3. **Enlevez la radio de la manche**
Soulevez les loquets aux deux côtés de la manche pour enlever la demi-manche de la radio.



CÂBLAGE

Raccordement au câblage avec un adaptateur (acheté séparément)

Raccordement des fils

Vous pouvez effectuer ces branchements même sans être dans la voiture.

1. Effectuez les branchements par raccord ou sertissage.
2. Fixez l'adaptateur de câblage au faisceau de câbles de la voiture.

Le diagramme de câblage / Le code de couleurs

1. Antenne motorisée (fil bleu foncé) - Branchez à l'antenne motorisée ou à l'amplificateur. S'il n'est pas utilisé, recouvrez l'extrémité dénudée du fil de ruban adhésif.
2. Accessoires/allumage (fil rouge) - Connectez au fil de la radio existante ou au fusible du radio.
3. Mise à la terre (fil noir) - Connectez à la borne de mise à la terre ou à un point métallique propre, non peint, du châssis.
4. Mémoire/batterie (fil jaune) - Connectez à la batterie ou à une source d'alimentation 12 volts toujours sous tension. La radio ne fonctionnera pas si ce fil n'est pas branché.
5. Antenne - Connectez la prise antenne depuis le câble antenne existante (quelques véhicules exigent un adaptateur).
6. Changeur CD/Connecteur JPORT - Utilisez cette prise femelle à 8 aiguilles pour brancher un changeur CD facultatif ou un JPORT (vendu séparément)
7. Câbles d'entrée auxiliaires - Prise femelle d'entrée en ligne à utiliser avec des appareils d'entrée auxiliaires (changeur de CD, etc).
8. Sorties de RCA à l'amplificateur - Prise femelle sortie de ligne RCA à utiliser avec des amplificateurs externes facultatifs.
9. Haut parleur d'avant à gauche
10. Haut parleur d'avant à droite
11. Haut parleur d'arrière à gauche
12. Haut parleur d'arrière à droit

A NOTER : Les amplificateurs dans cette radio sont destinés à l'utilisation avec quatre haut-parleurs. Ne combinez jamais les sorties pour utilisation avec deux haut-parleurs. Ne mettez jamais les fils de sortie du haut-parleur à la masse. Vous pouvez nuire à votre radio si vous ne faites pas le câblage exactement comme montré.

Fusibles

Lors du remplacement d'un fusible, assurez-vous que le fusible de remplacement est du type et de la puissance appropriés. L'utilisation d'un fusible non approprié pourrait endommager la radio. Le CD6111 est doté d'un fusible de 15 A, situé sous le connecteur du câblage (15 A à fusion rapide, type ATO).

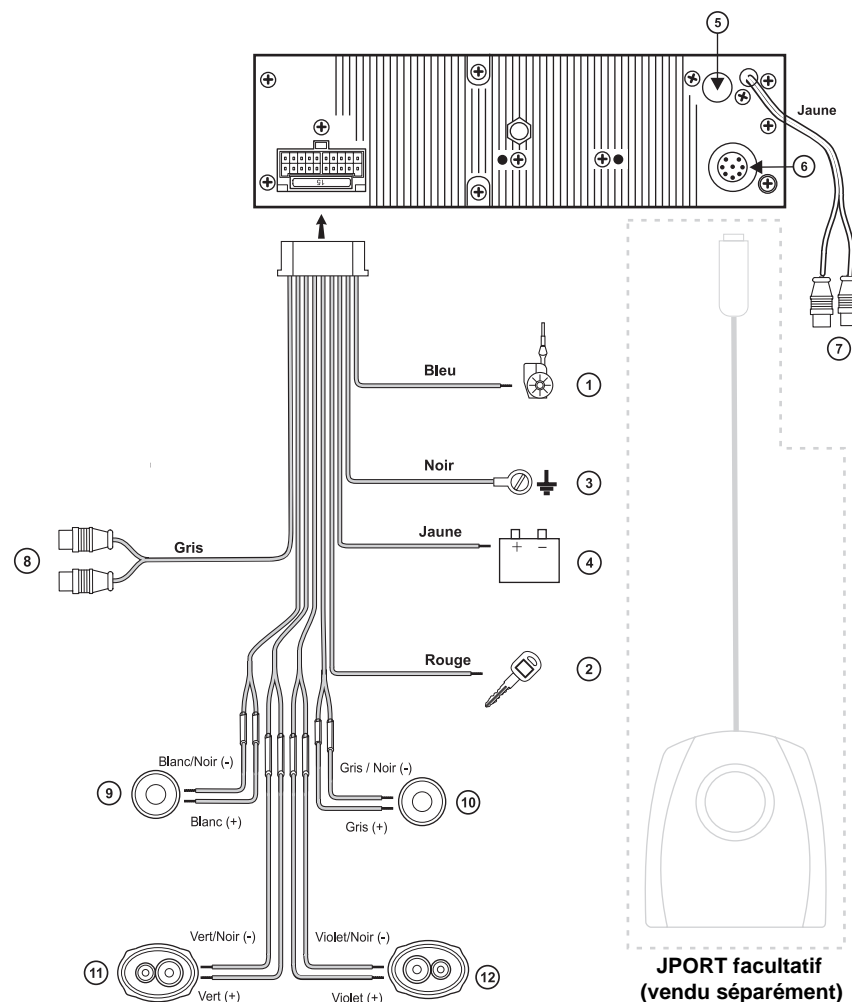
Rebranchement de la batterie

Une fois les fils installés, rebranchez la borne négative de la batterie.

Aide Technique

Si vous avez besoin d'aide, prenez contact avec le support technique au numéro 1-800-323-4815 de 8h 30 à 19h EST lundi à vendredi, de 9h à 17h, le samedi.

CABLAGE

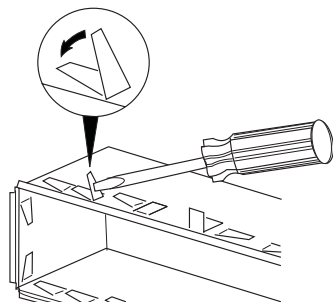


INSTALLATION

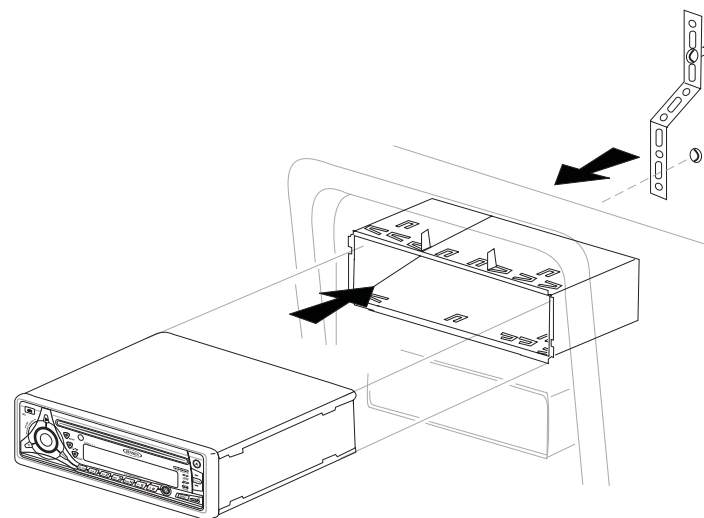
Cet appareil est dessiné pour être installé dans des automobiles, des camions et des camionnettes avec une ouverture radio existante. Dans bien des cas, il vous faudra une trousse d'installation spéciale pour monter cette radio à la planche de bord. Vous pouvez acheter ces trousse dans des magasins de matériel électronique, ou des magasins spécialisant dans des stéréos de voitures. Vérifiez que la trousse soit compatible avec votre véhicule. En cas de problèmes ou si vous avez besoin d'aide, prenez contact avec Support Technique au numéro 1-800-323-4815 de 8h 30 à 19h EST lundi à vendredi, de 9h à 17h, le samedi.

Installation universelle à l'aide du manchon du montage

1. Enlevez le panneau d'avant détachable s'il est attaché au châssis en appuyant sur le bouton « Relâche ».
2. Glissez le manchon du montage de sur le châssis. Au cas où il serait verrouillé, utilisez les outils d'enlèvement (fournis) pour désengager. Les touches d'enlèvement sont dépeintes à la page 28.
3. Vérifiez la taille de l'ouverture dans la planche à bord en glissant le manchon du montage sur elle. Si l'ouverture n'est pas assez grande, coupez ou limez jusqu'à ce que vous ayez la taille correcte. Ne forcez pas le manchon dans l'ouverture de façon à ce qu'il plie ou se courbe. Vérifiez qu'il y aura de la place suffisante derrière la planche à bord pour le châssis radio.
4. Trouvez une série de languettes à courbure dans les parties supérieures et inférieures et aux côtés du manchon. Avec le manchon complètement inséré dans la planche de bord, pliez autant de languettes que vous pouvez jusqu'à ce que le manchon soit bien fixé à la planche de bord.
5. Placez la radio devant l'ouverture dans la planche à bord, afin que le câblage puisse être fait à travers le manchon du montage.



6. Consultez soigneusement le schéma du câblage et rassurez-vous que toutes les connexions du harnais câblage sont sûrs et isolés avec de la bande électrique ou des écrous de fil afin de garantir le fonctionnement correct de l'appareil.



7. Lorsque vous aurez fini avec les connexions câbles, attachez le panneau d'avant et mettez l'appareil en marche pour confirmer l'opération (il faut que l'allumage soit en marche). Si l'appareil ne fonctionne pas, vérifiez le câblage jusqu'à ce que le problème soit réglé. Lorsque l'appareil est en opération, coupez l'allumage et passez au montage final du châssis.
8. Glissez la radio sur le manchon du montage en vous assurant que la direction du montage est bonne et jusqu'à ce qu'il soit bien en siège et les attaches à ressort se verrouillent.
9. Attachez un bout de la lanière de support perforée (fournie) au goujon du clou qui se trouve à la derrière du châssis, en utilisant le clou hexagonal fourni. Attachez l'autre bout de la lanière perforée à la partie sûre de la planche à bord, soit au-dessus soit au-dessous de la radio en utilisant le clou et le clou hexagonal fournis. Pliez la lanière comme nécessaire. CAUTION : L'arrière de la radio doit être supportée par la lanière afin d'éviter de nuire à la planche à bord à cause du poids de la radio ou des opérations incorrectes à cause des vibrations.
10. Rattachez le panneau d'avant au châssis et vérifiez l'opération de la radio en vous référant aux instructions d'opération pour l'appareil.

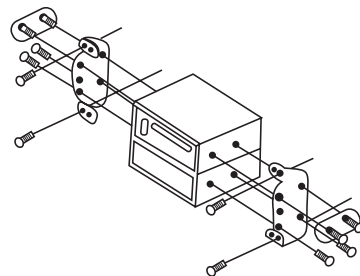
A NOTER : Pour le fonctionnement correct du changeur CD, le châssis doit être monté au dedans du 20 degrés horizontal. Assurez vous que l'appareil soit monté à l'intérieur de cette limite.

Installation de la trousse

Si votre voiture exige l'usage d'une trousse d'installation pour monter la radio, suivez les instructions qui accompagne la trousse pour attacher la radio au plateau de montage fourni avec la trousse. Câblez et testez la radio en suivant les instructions pour l'installation universelle. Installez l'ensemble radio /plateau de montage à la sous-planche de bord suivant les instructions contenues dans la trousse d'installation. Attachez la lanière de support à la radio et à la planche de bord suivant les instructions pour l'installation universelle. Remplacez le panneau de la planche de bord.

Installation ISO

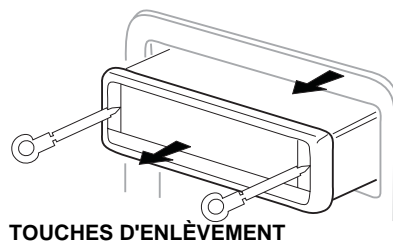
L'appareil a des trous à visser sur les panneaux de côté du châssis qui peuvent être utilisés avec les supports de montage de l'usine de certains véhicules pour monter la radio sur la planche de bord. Consultez votre magasin de stéréos voiture pour être aidé dans ce type d'installation.



1. Enlevez la radio d'usine existante de la planche de bord ou du console central de montage. Préservez tout le matériel et les consoles qui seront utilisés pour monter la nouvelle radio.
2. Ouvrez d'un coup sec le cadre plastique du devant du châssis de la nouvelle radio.
3. Enlevez et jetez le cadre. Enlevez les supports de montage et le matériel de la radio existante et attachez-les à la nouvelle radio. Ne dépassez pas une taille de clou de 5mm x 9mm. Des clous plus longs peuvent nuire aux composants à l'intérieur du châssis.
4. Câblez la nouvelle radio au véhicule en suivant les instructions pour l'installation universelle.
5. Montez l'ensemble de la nouvelle radio à la planche de bord ou au console central en renversant la procédure établie par (1).

Retrait de Radio

Insérez l'outil ou les outils spéciaux. Tirez l'autoradio. Débranchez le faisceau de câbles et enlevez l'autoradio.



OPERATION

Puissance

Appuyez sur le bouton puissance ou sur n'importe quel bouton sur la radio pour mettre l'appareil en marche lorsque l'allumage est en fonction. Appuyez de nouveau sur le bouton puissance pour éteindre la radio. Si la radio était en marche lorsque l'allumage est coupé, elle se mettra automatiquement en marche lorsque l'allumage est mis en marche. Si la radio était éteinte lorsque l'allumage est coupé, il faudra mettre la radio en marche manuellement lorsque vous remettez l'allumage en marche.

Mode

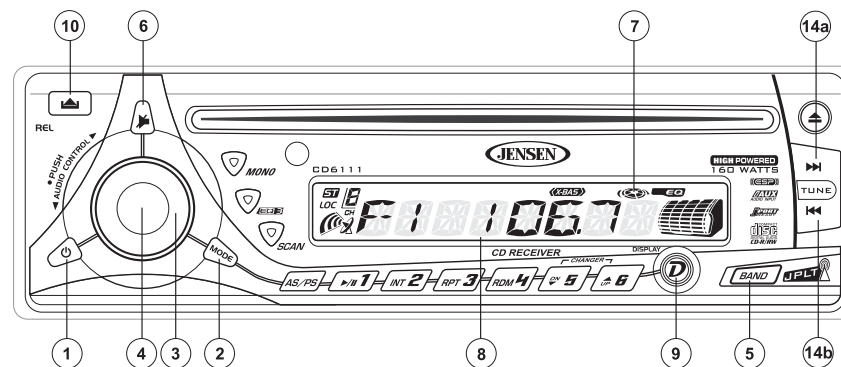
Appuyez sur **MODE** pour sélectionner un mode d'opération différent indiqué sur le panneau d'affichage. Des modes disponibles peuvent comprendre la radio, CD, changeur de CD et modes auxiliaires. Lorsque le changeur de CD est en marche vous pouvez passer à la radio en appuyant sur **MODE** sans éjecter le CD. L'icône CD (7) sera affichée pour montrer qu'un CD reste chargé sur l'appareil. À moins qu'un commutateur de CD soit relié à l'unité le commutateur de CD (CDC) le mode ne peut pas être consulté. Pour entrer en mode auxiliaire, maintenez appuyé le bouton **MODE** jusqu'à « AUX » apparaît dans le panneau d'affichage.

Volume

Pour augmenter le volume, tourner le contrôle volume dans le sens des aiguilles d'une montre. Pour diminuer le volume, tourner le contrôle du volume contre le sens des aiguilles d'une montre. Lorsque le volume est ajusté, le niveau de volume sera affiché sur le panneau d'affichage comme un numéro allant de 00 (le plus bas) à 100 (le plus haut).

Sélectionner

Appuyez sur le bouton **PUSH** pour accéder au menu des fonctions audio. La première option est volume (VOL) suivie par basse (BAS), aigu (TRB), équilibre (BAL), atténuateur (FAD) et retour au volume (VOL). Lorsque vous ajustez les fonctions audio, l'appareil sortira automatiquement du mode sélection pour retourner à l'affichage normal, au bout de cinq secondes ou lorsqu'une autre fonction est activée.



Sélectionner (continué)

Bass

Appuyez sur le bouton **PUSH** deux fois jusqu'à ce que le mot **BAS** soit affiché. Dans cinq secondes, tourner le contrôle volume dans ou contre le sens des aiguilles d'une montre pour ajuster le bass de -10 à 10. 00 signifie une réponse plate. Le niveau de bass sera affiché pendant cinq secondes ou jusqu'à ce qu'une autre fonction soit activée.

Aigu

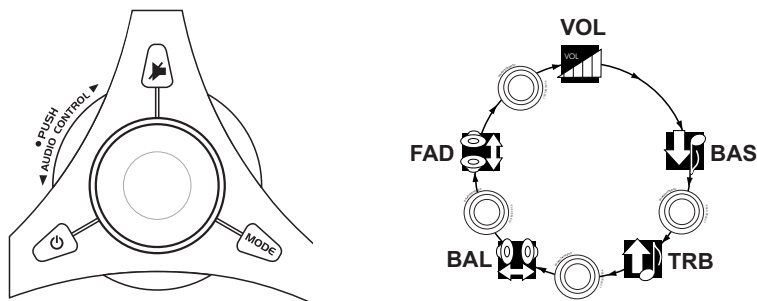
Appuyez sur le bouton **PUSH** trois fois jusqu'à ce que le mot **TRE** soit affiché. Dans cinq secondes, tourner le contrôle volume dans ou contre le sens des aiguilles d'une montre pour ajuster l'aigu de -10 à 10. 00 signifie une réponse plate. Le niveau d'aigu sera affiché pendant cinq secondes ou jusqu'à ce qu'une autre fonction soit activée.

Équilibre

Appuyez quatre fois sur le bouton **PUSH** jusqu'à ce que le mot **BAL** soit affiché. Dans cinq secondes, tourner le contrôle volume dans ou contre le sens des aiguilles d'une montre pour ajuster l'équilibre entre les haut-parleurs de droite et de gauche de **BAL10R** (haut-parleur de droite) à **BAL10L** (haut-parleur de gauche). **BAL L=R** signifie un équilibre parfait entre les haut-parleurs de droite et de gauche. La position de l'équilibre sera affichée pendant cinq secondes ou jusqu'à ce qu'une autre fonction soit activée.

Atténuateur

Appuyez cinq fois sur le bouton **PUSH** jusqu'à ce que le mot **FAD** soit affiché. Dans cinq secondes, tourner le contrôle volume dans ou contre le sens des aiguilles d'une montre pour ajuster l'équilibre entre les haut-parleurs d'avant et les haut-parleurs d'arrière entre **FAD 10R** (haut-parleurs d'arrière) et **FAD 10F** (haut-parleurs d'avant). **FAD F=R** signifie un équilibre parfait entre les haut-parleurs d'avant et ceux d'arrière. La position d'équilibre sera affichée pendant cinq secondes ou jusqu'à ce qu'une autre fonction soit activée.



Contour intensité / iX-BASS (BAND)

Appuyez sur **BAND** (5) pendant deux secondes pour activer la fonction contour intensité. Lorsque vous écoutez la musique à des niveaux bas de volume, cette fonction augmentera les niveaux bass et aigu pour compenser les caractéristiques de l'ouïe humaine. Lorsque cette fonction est activée, les mots « Intensité en marche » sera affichée pendant cinq secondes. Appuyez de nouveau sur **BAND** pendant deux secondes pour désactiver cette fonction. Les mots « Intensité arrêtée » sera affichée pendant cinq secondes.

Mise en sourdine (MUTE)

Appuyez sur **MUTE** (6) pour mettre le volume audio en sourdine. Sourdine sera affiché sur le panneau d'affichage. Vous pouvez rétablir le volume en appuyant de nouveau sur ce bouton, en ajustant le contrôle du volume ou en appuyant n'importe quel bouton de l'appareil.

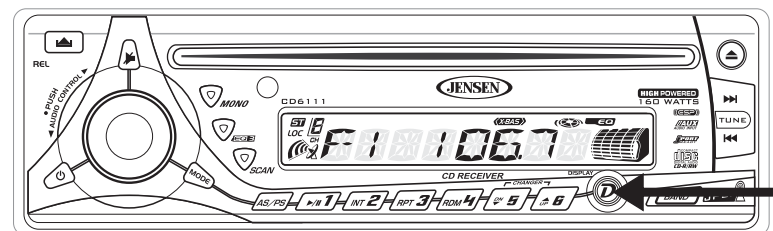
Affichage à cristaux liquides

L'affichage à cristaux liquides (8) affiche la fréquence, le temps et les fonctions activées de l'appareil, y compris une combinaison niveau audio/indicateur disque, qui apparaît comme des icônes doubles disques avec un vumètre à barre circulaire montrant le signal audio. En outre l'affichage contient un indicateur de signal de réception qui dépeint la force relative de la fréquence de transmission d'entrée.

A NOTER : Les panneaux d'affichage prennent du temps pour afficher lorsqu'ils ont été exposés au froid pendant longtemps. En outre, la visibilité des numéros sur l'affichage à cristaux liquides peut diminuer un peu. L'affichage sera remis à normal lorsque les températures reviendront à des niveaux normaux.

Temps/Fréquence (DISPLAY)

Lorsque l'appareil est arrêté, l'affichage à cristaux liquides affichera l'heure. Lorsque l'appareil est en marche, l'affichage à cristaux liquides affichera radio, CD ou changeur de CD, dépendant du mode d'opération qui est activée.



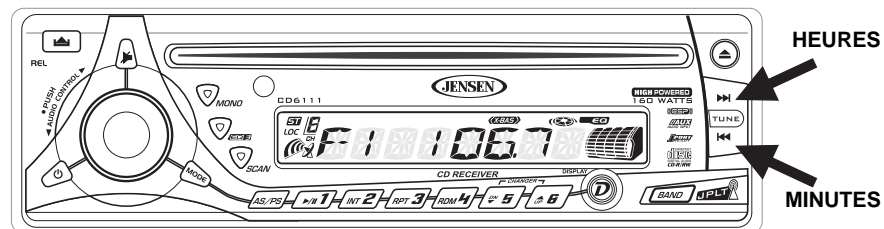
Affichage horloge

Pendant l'opération de la radio, du CD ou du changeur de CD, appuyez sur **DISPLAY** pour afficher l'heure. Au bout de cinq secondes, l'affichage reviendra à la radio, au CD ou au changeur de CD.

Régler l'horloge

1. Pour régler l'horloge, mettez l'allumage et la radio en marche.
2. Appuyez sur **DISPLAY** et l'heure sera affichée.
3. Maintenez la pression sur **DISPLAY** jusqu'à ce que l'affichage heure commence à clignoter.
4. Lorsque l'affichage se met à clignoter, appuyez sur le bouton de syntonisation hausse (14a) pour ajuster les heures, et les indicateurs A (AM) ou P (PM). Appuyez sur le bouton de syntonisation baisse pour ajuster les minutes.

5. Au bout de cinq secondes, l'heure sera réglée sur l'appareil et l'affichage reviendra à la radio, au CD ou au changeur de CD.

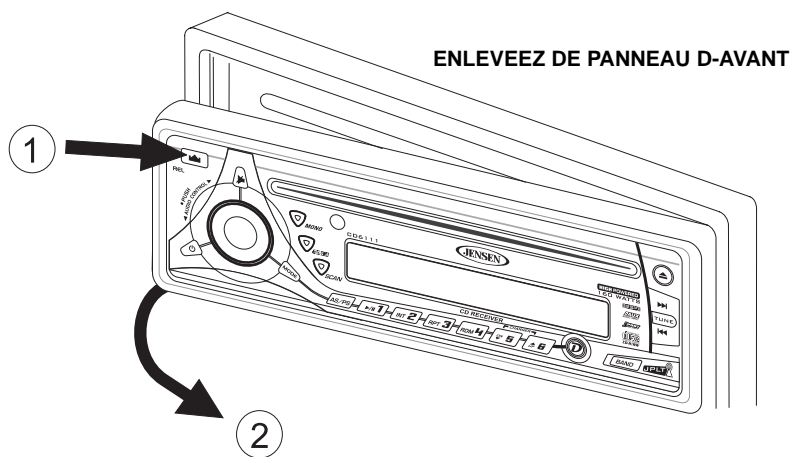


Relâchement du panneau d'avant

Le bouton du relâchement du panneau d'avant relâche le mécanisme qui tient le panneau d'avant au châssis.

Détacher le panneau d'avant

Pour détacher le panneau d'avant appuyez sur le bouton de relâchement du panneau d'avant. Ceci relâchera la partie gauche du panneau. Tenez la partie relâché dans vos mains et tirez-la du châssis. Lorsque le panneau d'avant est enlevé, vous devez le déposer dans sa caisse pour le protéger de la poussière et d'autres accidents nuisibles.

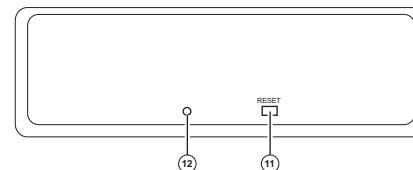


Rattachement du panneau d'avant

Pour rattacher le panneau, assurez-vous qu'il n'y a pas de poussière ou des ordures sur les terminaux électriques derrière le panneau. Ceci peut provoquer des opérations intermittentes et d'autres mauvais fonctionnements. Positionner la partie droite du panneau en place pour qu'elle soit bien engagée et puis appuyez légèrement sur la partie gauche jusqu'à ce que le mécanisme soit bien verrouillé et en place.

Le bouton de réglage

Le bouton de réglage (11) est situé au devant du châssis et ne peut être accédé que lorsque le panneau d'avant a été enlevé. La circuiterie de réglage protège la circuiterie du microprocesseur. Puisque le réglage de l'appareil effacera toute la mémoire du temps et du préréglage, il ne doit être activé que lors de l'installation initiale et après que le câblage ait été terminé ou s'il y a une malfonction dans les interrupteurs de l'appareil. Dans ces circonstances, le bouton de réglage peut aider à nettoyer le système et retourner l'appareil à un fonctionnement normal.



Un DEL pour décourager les voleurs

Un diode electroluminescente (DEL) (12) est situé sur le châssis derrière le panneau d'avant et clignotera lorsque le panneau est enlevé. Le clignotement sert d'avis au voleur potentiel que l'appareil a été désactivé par l'enlèvement du panneau d'avant.

OPÉRATION DE LA RADIO

Sélection de la bande AM/FM (BAND)

Appuyez sur **BAND** pour changer entre trois bandes FM et une bande AM, F1, F2 et F3 ou bien AM apparaîtra sur l'affichage pour indiquer la bande actuellement sélectionnée.

Syntonisation

Syntonisation automatique

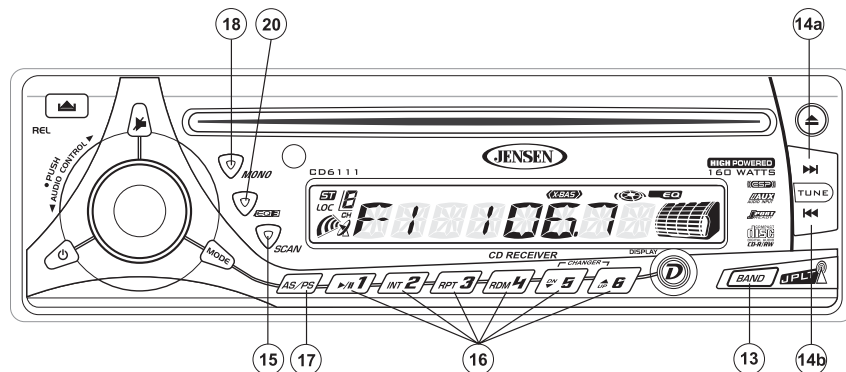
Appuyez sur le bouton de syntonisation hausse (14a) pour syntoniser en haut de la fréquence et le bouton de syntonisation baisse (14b) pour syntoniser en bas de la fréquence. L'appareil s'arrêtera automatiquement à la prochaine station forte. Si le mode local est activé, l'appareil cherchera la prochaine station locale forte lorsque le bouton est appuyé.

Syntonisation manuelle

Appuyez sur le bouton de syntonisation hausse (14a) ou baisse (14b) pendant plus de deux secondes pour sélectionner le mode de syntonisation manuelle. « Manuelle » apparaîtra sur l'affichage pendant quelques secondes. Appuyez sur le bouton de syntonisation hausse ou baisse pour changer de fréquence radio deux numéros à la fois. Appuyez et maintenez le bouton de syntonisation hausse ou baisse pour avancer rapidement jusqu'à une fréquence voulue. Relâchez lorsque la fréquence voulue a été atteinte. Si la syntonisation n'est pas ajustée dans cinq secondes après l'entrée en mode manuel, l'appareil retournera automatiquement au mode automatique et le mot « Autos » sera affiché pendant quelques secondes.

Syntonisation par balayage (SCAN)

Appuyez sur **SCAN** (15) pour balayer toutes les stations fortes dans la bande courante. L'appareil va s'arrêter et jouer chaque station pendant cinq secondes et la fréquence de la station va clignoter sur l'affichage pendant ce temps. Appuyez de nouveau sur **SCAN** pour arrêter le balayage et écouter la station courante.



Des stations pré-réglées

Vous pouvez garder en mémoire jusqu'à six stations sur chaque bande comme stations pré-réglées et vous pouvez les rappeler instantanément en appuyant sur le bouton de pré-réglage associé (16). Pour garder une station en mémoire, allumez la radio et choisissez la bande et la station voulues. Appuyez et maintenez le bouton pré-réglage voulu (numérotés un à six sur la face de la radio) pendant plus de deux secondes. Lorsque la station a été gardée en mémoire, le numéro pré-réglé apparaîtra sur l'affichage. La station est maintenant en mémoire et peut être rappelée en appuyant sur le bouton pré-réglage correspondant. Répétez pour les cinq pré-réglages sur la bande et procédez de même pour les autres bandes.

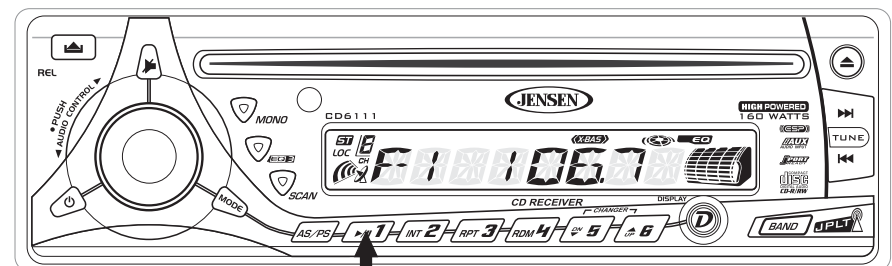
Mise en mémoire automatique/Balayage du pré-réglage (AS/PS)

Mise en mémoire automatique

Choisissez six stations fortes et mettez les en mémoire en utilisant la fonction mise en mémoire automatique. Pour activer cette fonction, appuyez sur et maintenez **AS/PS** (17) pendant plus de deux secondes. La radio va automatiquement balayer la bande en usage et va entrer les stations fortes dans les positions de mémoire pré-réglées pour cette bande. Après l'entrée des stations en mémoire, l'appareil s'arrêtera automatiquement à chaque station pendant cinq secondes pour que l'on puisse écouter chacune d'elles. En utilisant la fonction mise en mémoire automatique, les nouvelles stations remplaceront les stations déjà conservées en mémoire pré-réglée pour une bande quelconque.

Balayage du pré-réglage

Appuyez sur **AS/PS** (17) pour balayer les six stations pré-réglées dans la bande courante. L'appareil va s'arrêter à chaque station pendant cinq secondes et le numéro du pré-réglage va clignoter sur l'affichage durant le balayage actuel. Appuyez de nouveau sur **AS/PS** pour arrêter le balayage et écouter la station courante.



APPUYEZ ET MAINTENEZ



LE NUMÉRO PRÉRÉGLÉ APPARAÎTRA

Sélecteur mono/stéréo

Appuyez sur **MONO** (18) pendant une opération radio FM pour sélectionner la réception en stéréo du signal transmis. Pendant une réception normale, on doit laisser la radio en mode stéréo comme indiqué par la désignation ST et par l'indicateur de la force du signal associé qui apparaît sur l'affichage lorsque la radio est syntonisée à un signal FM stéréo. Si le signal est trop bruyant pour une écoute confortable, appuyez sur **MONO** pour changer à une réception mono et la désignation ST va disparaître. Appuyez de nouveau sur **MONO** pour retourner en mode stéréo.

Sélecteur d'égalisateur (iEQ)

La fonction égalisateur applique des effets sonores pré-réglés au signal de sortie audio de l'appareil. Appuyez sur **iEQ** (20) pour activer l'un des modes d'opération suivants : Plat, Classiques, Pop M, Rock M ou DSP éteint. Lorsque la fonction égalisateur est activé, les niveaux de bass et d'aigu le plus récemment choisi seront ignorés. Lorsque les niveaux bass et aigu sont ajustés lorsque l'égalisateur est en opération, l'égalisateur retournera au plat. Lorsque la fonction égalisateur n'est pas en opération, l'appareil reviendra aux niveaux de bass et d'aigu le plus récemment choisis.

Opération de la Platine CD

Insérez le CD

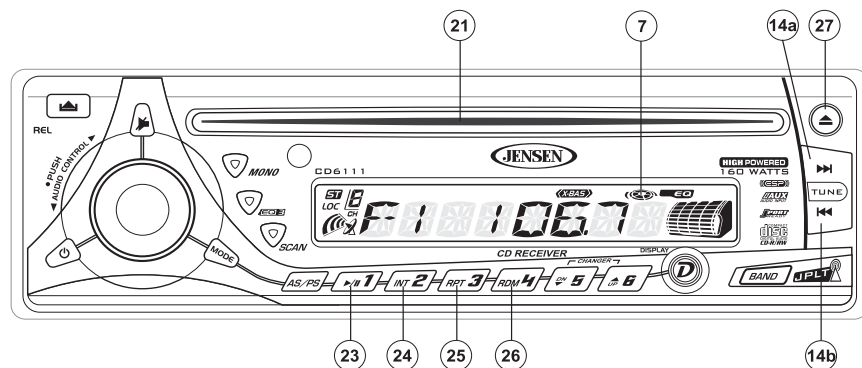
Avec la surface étiquette en haut, insérez le CD dans l'encoche (21) jusqu'à ce que le mécanisme de chargement en douce s'engage et tire le disque. Le disque commence à jouer, les mots « S-CDP » vont apparaître sur l'affichage pendant quelques secondes et l'icône CD (7) va être animé. Le mot CDP va apparaître sur l'affichage pendant cinq secondes. Le centre de l'icône disque va être illuminé et animé et le numéro de la piste et le temps écoulé vont apparaître sur l'affichage.

A NOTER : L'appareil a été dessiné pour ne prendre que des disques compacts de taille standardisée de 5 pouces. N'essayez pas d'utiliser les disques de 3 pouces, avec ou sans adaptateur, parce que ceci peut nuire à l'appareil. Ces dégâts ne sont pas couverts par le garanti qui vient avec ce produit.

Sélection de la piste

Les fonctions sélection de piste sont utilisées pour évaluer rapidement le début d'une piste lorsqu'un disque est en train de jouer. Appuyez sur le bouton de syntonisation hausse (14a) pour progresser en avant et sur le bouton de syntonisation baisse (14b) pour revenir en arrière pour arriver à la piste voulue. Les numéros des pistes seront affichés au fur et à mesure que vous accédez à elles.

Appuyez et maintenez appuyé les boutons de syntonisation hausse et baisse pour une avance rapide ou un retour rapide. Dans les deux cas, le temps écoulé va apparaître sur l'affichage. Relâchez le bouton pour revenir au jeu normal du CD.



Pause

Appuyez sur pause (23) pour suspendre le jeu du disque. Le mot « S-Pause » va apparaître sur l'affichage et le centre de l'icône disque va s'arrêter de pivoter. Appuyez de nouveau sur pause pour revenir au jeu normal du disque. Le mot « S-Pause » va disparaître de l'affichage et le disque recommencera à partir du moment où le bouton pause a été activé.

Balayage (SCN)

Alors que le disque est en train de jouer, appuyez sur **SCN** (24) pour jouer les premières dix secondes de chaque piste sur le disque. Le mot « S-SCN » va apparaître sur l'affichage. Lorsque vous arrivez à la piste voulue, appuyez de nouveau sur **SCN** pour écouter la piste choisie. Le mot « S-SCN » va disparaître de l'affichage. La fonction balayage peut être annulée en utilisant les fonctions Répétition ou Mélange.

Répétition (RPT)

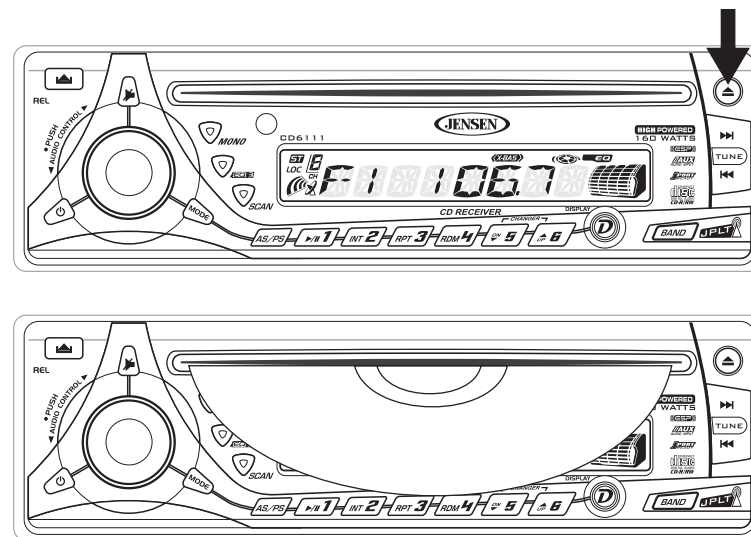
Appuyez sur **RPT** (25) pendant que le disque est en train de jouer pour répéter sans arrêt la piste voulue. Le mot « S-RPT » va apparaître sur l'affichage. Appuyez de nouveau sur **RPT** pour arrêter la répétition. Le mot « S-RPT » va disparaître de l'affichage et le jeu normal va reprendre. La fonction répétition peut être annulé en activant les fonctions balayage ou mélange.

Mélange (SHF)

Appuyez sur SHF (26) alors que le disque est en train de jouer pour écouter les pistes sur le CD au hasard, dans un ordre mélangé. Le mot « S-SHF » va apparaître sur l'affichage. Appuyez de nouveau sur SHF pour arrêter le jeu au hasard. Le mot « S-SHF » va disparaître de l'affichage et le jeu normal du disque va reprendre. La fonction mélange peut être annulé en activant les fonction balayage ou répétition.

Ejection du disque

Appuyez sur le bouton éjection pour arrêter le CD et éjecter le disque. L'appareil va revenir à l'opération radio ou changeur de CD en fonction de l'opération qui était en cours avant l'opération du CD. Si le disque n'est pas retiré dans 15 secondes le disque va être rechargé afin d'éviter des dégâts accidentels. L'icône CD (7) va apparaître sur l'affichage pour indiquer qu'un disque est chargé sur la platine. Vous pouvez rejouer le disque en appuyant sur **MODE** pour sélectionner l'opération CD.



Codes d'erreur de la platine disque

S'il y a un problème lorsque vous opérez la platine disque, un code erreur (ER-1, ER-2, etc) peut apparaître sur le panneau d'affichage. Cela peut indiquer un certain nombre d'erreurs dans l'appareil telle qu'une erreur mécanique ou une erreur dans le contrôle microprocesseur de l'appareil. Au cas où un code erreur apparaîtrait, essayez d'éjecter le disque et le recharger sur la platine. Lorsque le disque est hors de l'appareil, assurez-vous qu'il est propre, sans dégâts et chargé correctement. Si cela ne résout pas le problème, appuyez sur le bouton de réglage. Cela peut aider et il peut aussi effacer l'heure et les autres préréglages de l'appareil. Si les mesures suggérées ne résolvent pas le problème, prenez contact avec une station garanti proche de vous pour aide supplémentaire.

OPÉRATION DE CHANGEUR DE CD

Veillez appeler le soutien technique Jensen à 1-800-323-4815 pour une liste complète de changeurs CD compatible avec cet appareil. Les changeurs CD Jensen suivants sont compatibles avec cet appareil : JCD10RF et CH1001.

Après que le changeur CD ait été installé et correctement branché, appuyez sur le bouton de réinitialisation (11) pour initialiser l'installation. Référez-vous au guide du propriétaire fourni avec le changeur CD pour des instructions concernant l'installation, le chargement et l'utilisation du magasin CD.

Mode changeur de CD

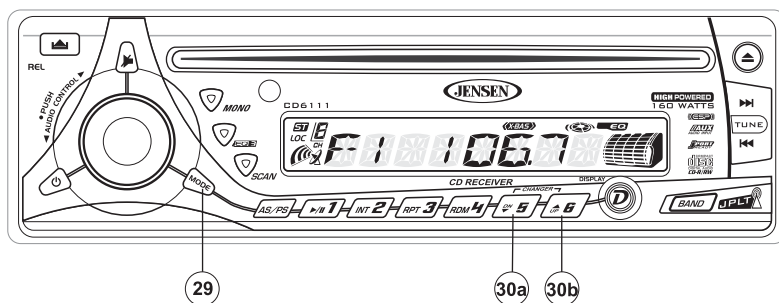
Appuyez sur **MODE** (29) pendant une opération radio ou CD pour sélectionner le mode changeur de CD. Le mot CDC va apparaître sur l'affichage. Le disque va commencer à jouer et le disque et le numéro de piste vont être affichés. Si un nouveau magazine a été chargé sur le changeur, le disque va commencer à jouer à partir de la première piste du premier disque. Si un magazine était déjà dans le changeur, l'appareil reviendra à la piste du disque le plus récemment joué.

Sélection du disque (UP/DN)

Pour sélectionner le disque voulu, utilisez le bouton **UP** (30a) pour avance jusqu'au numéro du disque plus haut et utiliser le bouton **DN** (30b) pour revenir un numéro plus bas. Le numéro du disque qui est en train de jouer apparaîtra sur l'affichage.

D'autres fonctions

Les fonctions Pause, Balayage, Répétition, Mélange, Sélection de piste, pendant l'opération du changeur de CD peuvent être accédées de la même manière que pour une opération CD platine. Voyez la section sur l'opération de platine CD pour avoir plus de détails.



Codes D'Erreur De Commutateur de CD

Si les problèmes surgissent pendant l'opération de commutateur de CD, les codes d'erreur suivants peuvent apparaître dans l'affichage :

- ER-1: Aucun magasin chargé dans le commutateur de CD.
- ER-2: Problème dans la fonction de chargement de disque.
- ER-3: Erreur dans la fonction de chargement de disque.
- ER-4: Erreur dans la fonction de déchargement de disque.
- ER-5: Erreur en position de magasin.
- ER-6: Erreur en position de collecte de laser.

ER-7: Erreur au foyer de laser sur le disque.

Pour résoudre quels des problèmes ci-dessus, essayi éjectant le magasin du commutateur et s'assurant que les disques sont propres, intacts et chargés correctement. Appuyer sur le bouton de remise (11) peut aider, mais ceci effacera le temps et préréglera des mémoires. Si les mesures suggérées ne résolvent pas le problème, entrez en contact avec une station approuvée de garantie près de vous pour davantage d'aide.

OPÉRATION JPORT

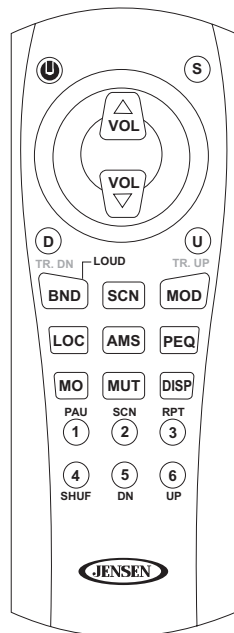
Après que le JPORT ait été installé et branché appuyez sur le bouton Reset (11) pour initialiser l'installation. Le JPORT peut être utilisé pour contrôler votre iPod ou un changeur CD facultatif. **Référez-vous au guide du propriétaire fourni avec le JPORT pour des instructions concernant l'opération des engins externes attachés à votre JPORT.**

PRÊT À ÊTRE TÉLÉCOMMANDÉ

La télécommande vous permet de contrôler les fonctions de base du CD6111.

La sonde de télécommande est à la gauche supérieure du bouton de **MONO** (18).

AMS = AS / PS
 PEQ = iEQ
 MOD = Mode
 LOC = Lo / DX
 BND = Band
 SCN = Scan, AM, FM
 MUT = Mute
 MO = St / Mo
 DISP = Clock / Frequency



SOIN ET ENTRETIEN

Soins pour la platine CD

Les principes suivants vous permettront de prolonger la vie de votre platine CD.

1. Lors de nettoyage de l'intérieur du véhicule, prenez soin à ce que vous ne mouillez pas l'appareil avec de l'eau ou des fluides nettoyants.
2. La platine CD ne fonctionnera pas bien quand il fait une chaleur ou un froid extrême ou quand il fait trop humide. Dans ces circonstances, attendez jusqu'à la température à l'intérieur du véhicule redevient normale ou jusqu'à ce que la condensation sur les lentilles de platine CD ait évaporé avant d'utiliser la platine.
3. N'insérez que des CDs de taille standardisée de cinq pouces. Tout autre taille utilisée même avec un adaptateur peut causer des dégâts non couverts par le garanti.
4. Retirez le CD lorsque vous n'utilisez pas la platine disque.
5. L'unité est conçue avec un mécanisme de CD de réduction de vibration pour réduire au minimum l'interruption du jeu de disque due à la vibration normale dans un véhicule mobile. En conduisant sur les routes inégales, cependant, les sauts sains occasionnels peuvent se produire. Ceci ne rayera pas ou n'endommagera pas le disque, et le jeu normal reprendra.

Information disque

CD-R/CD-RW

Un certain CD-R/RW's peut être incompatible avec cette unité. **La session erecording doit être fermée.** Veuillez se référer à vos procédures recommandées par software's pour la fermeture un disque. Passez en revue votre logiciel d'enregistrement pour se familiariser avec les procédures correctes d'enregistrement. Nous recommandons d'employer les dernières versions logiciel de ROXIO TM ou de NERO TM d'enregistrement.

Cette unité identifiera seulement le format de CDDA (acoustique de Digital de disque compact). Elle ne soutient pas le MP3, le WMA, le WAV, l'OGG ou d'autres formats. Le format de CDDA est le format standard d'un magasin original acheté CD. En enregistrant un CD-R/ RW assurez-vous que le format de CDDA est choisi.

Soin et manipulation des CDs

De la poussière, des ordures, des égratignures et des torsions peuvent provoquer des sauts dans la reproduction et amener une détérioration dans la qualité du son. Suivez les instructions suivantes pour prendre soin de vos disques.

1. Essuyez des empreintes digitales, de la poussière et des saletés de la surface du disque avec un chiffon doux. Essuyez dans un mouvement droit depuis l'intérieur jusqu'à l'extérieur du disque.
2. N'utilisez jamais de produits chimiques ou de vaporisateurs de disques ou bien même des nettoyants domestiques pour nettoyer vos CDs. Ces substances peuvent causer des dégâts irréparables à la surface du disque.
3. Mettez les disques dans leur étui lorsque vous ne les utilisez pas.
4. N'exposez pas vos disques au soleil, à des températures haute ou à une humidité excessive pendant des périodes longues.
5. Ne collez pas de papier, de bandes ou d'étiquettes sur la surface du disque. N'écrivez pas dessus avec des marqueurs quelconques.

Dépannage

Problème	Cause	Mesure à Prendre
L'appareil ne fonctionne pas (l'affichage ne s'allume pas)	Aucune alimentation au fil jaune Aucune alimentation au fil rouge	Vérifiez la connexion et les fusibles au moyen de l'ampoule d'essai.
	Fusible grillé	Remplacez le fusible.
Les haut-parleurs ne fonctionnent pas (l'affichage s'allume normalement)	Les fils des haut-parleurs ne sont pas raccordés	Raccordez les fils des haut-parleurs. Vérifiez les fils des haut-parleurs.
Les haut-parleurs ne fonctionnent pas tous	Épissures ou connexions incorrectes	Vérifiez toutes les épissures et les connexions.
	Court-circuit entre les fils du haut-parleur et le châssis ou entre deux fils de haut-parleur	Vérifiez les épissures, isolez tous les fils dénudés.
Fusibles grillés	Court-circuit entre le fil d'alimentation et la mise à la terre	Assurez-vous que le fil n'est pas pincé.
	Court-circuit entre les fils des haut-parleurs et la mise à la terre	Assurez-vous que le fil n'est pas pincé.
	Fusible incorrect résistance insuffisante	Installez un fusible de type et de puissance appropriés.
Le CD saute continuellement	Récepteur pas fixé solidement ou bande de fixation mal fixée	Vérifiez l'installation et la bande de fixation, puis solidifiez au besoin.

CARACTÉRISTIQUES



Estimations De Puissance de CEA

Rendement De Puissance. 13 watts RMS X 4 canaux a 4-ohms @ < 1% THD+N
 Rapport signal à bruit 64dBA debajo de referencia. (Referencia: 1 watt, 4-ohms)
 Puissance dynamique 64 watts @ de 4-ohms, tous les canaux conduits
 Réponse de fréquence 20Hz to 20kHz, -3dB
 Tension D'Alimentation De Référence. 14.4VDC

Lecteur CD

Rapport signal à bruit >90dBA
 Réponse de fréquence 20Hz-20kHz, -3dB
 Séparation de canal >55dB @ 1kHz
 Convertisseur D/A 1 Bit/CH

Syntoniseur FM

Gamme de fréquence 87,5MHz-107,9MHz
 Sensibilité mono FM 12dBf
 Sensibilité de sourdine 50dB (stéréo) 16dBf
 Séparation stéréophonique @ 1kHz >35dB
 Réponse de fréquence 30Hz-12kHz, -3dB

Syntoniseur AM

Gamme de fréquence 530-1720kHz
 Sensibilité AM 30uV
 Réponse de fréquence 30Hz-2kHz, -3dB

Entrée Auxiliaire

Sensibilité d'entrée 400mV RMS for 1 watt RMS into 4-ohms
 Réponse de fréquence 20Hz to 20kHz, -3dB
 Impédance d'entrée. 10 k-ohms

Généralités

Alimentation. 11-16 VDC, mise à la terre négative
 Fusible. 15 A, ATO, saute rapidement
 Dimensions 2 x 7 x 7 po. (51mm x 178mm x 178mm)

Spécifications sujettes à modifications sans préavis.

GARANTIE LIMITÉE DE 12 MOIS

AUDIOVOX CORPORATION (la Société) garantit à l'acheteur initial du produit que si tout ou partie de ce produit, en cours d'utilisation et sous des conditions normales, venait à présenter des vices de matière primitive ou des défauts de fabrication, dans les 12 mois suivant la date d'achat initial, ce(s) défaut(s) sera(seront) réparé(s) ou remplacé(s) par un produit neuf ou reconditionné (au choix de la Société), sans frais de pièces ni de main-d'oeuvre. Si ce produit doit être réparé ou remplacé durant la période de la Garantie, entrez en contact avec svp Jensen au numéro de téléphone fourni ci-dessous.

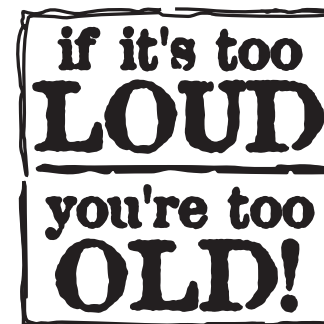
Cette Garantie ne couvre pas l'élimination des parasites ou des bruits générés par le moteur, la correction des problèmes d'antenne, les frais encourus pour l'installation, le retrait ou la réinstallation du produit, ni les dommages causés aux cassettes, disques compacts, accessoires ou au système électrique du véhicule. Cette Garantie ne s'applique pas aux produits ou aux parties constituantes qui, de l'avis de la Compagnie, ont été endommagés par suite de modification, d'installation incorrecte, de mauvaise manipulation, d'utilisation abusive, de négligence, d'accident, ou encore du retrait ou du griffonnage des inscriptions ou de l'étiquette code à barres/numéro de série installé en usine. SELON LES TERMES DE CETTE GARANTIE, LA RESPONSABILITE DE LA SOCIETE EST LIMITEE A LA REPARATION OU AU REMPLACEMENT, TEL(LE) QU'IL(ELLE) EST STIPULE(E) CI-DESSUS ET, EN AUCUN CAS, LA RESPONSABILITE DE LA SOCIETE NE POURRA EXCEDER LE PRIX D'ACHAT PAYE PAR L'ACHETEUR DU PRODUIT.

Cette Garantie remplace toute autre garantie expresse ou responsabilité. TOUTE GARANTIE TACITE, COMPRENANT TOUTE GARANTIE DE QUALITE LOYALE ET MARCHANDE, EST LIMITEE A LA DUREE DE CETTE GARANTIE ECRITE. TOUTE ACTION POUR RUPTURE DE TOUTE GARANTIE, SELON LES TERMES DE LA PRESENTE, COMPRENANT TOUTE GARANTIE IMPLICITE DE QUALITE LOYALE ET MARCHANDE, DOIT ETRE INTENTEE DANS LES 12 MOIS A COMPTER DE LA DATE D'ACHAT INITIAL. EN AUCUN CAS LA SOCIETE NE SERA RESPONSABLE DE TOUT DOMMAGE INDIRECT OU FORTUIT POUR RUPTURE DE CETTE GARANTIE OU DE TOUTE AUTRE GARANTIE, EXPRESSE OU IMPLICITE, DE QUELLE QUE NATURE QUE CE SOIT. Aucune personne ni aucun représentant n'est autorisé(e) à assumer, au nom de la Société, d'autre responsabilité que celle exprimée dans la présente, et se rapportant à la vente de ce produit.

Certains Etats n'autorise pas les restrictions relatives à la durée d'application des garanties implicites ni l'exclusion ou la limitation des dommages indirects ou fortuits. Dans ces Etats, de telles limitations ou exclusions ne s'appliquent donc pas. Cette Garantie vous donne des droits juridiques spécifiques et vous pouvez également jouir d'autres droits, suivant l'Etat dans lequel vous vivez.

U.S.A : 1-800-323-4815

CANADA: Composez le 1-800-323-4815 connaitre l'adresse du poste de garantie de votre région.



Audiovox Electronics Corporation
Hauppauge, NY 11788
Technical Assistance: 1-800-323-4815
www.jensen.com

© 2006 Audiovox
Ver. 120905

Imprimé en Chine

Free Manuals Download Website

<http://myh66.com>

<http://usermanuals.us>

<http://www.somanuals.com>

<http://www.4manuals.cc>

<http://www.manual-lib.com>

<http://www.404manual.com>

<http://www.luxmanual.com>

<http://aubethermostatmanual.com>

Golf course search by state

<http://golfingnear.com>

Email search by domain

<http://emailbydomain.com>

Auto manuals search

<http://auto.somanuals.com>

TV manuals search

<http://tv.somanuals.com>