

# HD5313

Installation and Operation Manual  
 Manual de Instrucciones y Operación  
 Guide d'Instructions et Operation



**160**

Watts Peak  
 Watts en Crête  
 Vatios el Máximo  
 40W x 4



## TABLE OF CONTENTS

Introduction .....	1
Front Panel Release .....	2
Operation .....	3
Tuner Operation .....	5
CD Player Operation .....	8
MP3/WMA Operation .....	10
iPod Operation .....	13
Care and Maintenance .....	15
Troubleshooting .....	16
Specifications .....	17

## CONTENIDO

Introducción .....	19
Liberación del Panel Frontal .....	20
Operación .....	21
Operación de Sintonizador .....	23
Operación del Reproductor de CD .....	26
Operación de MP3/WMA .....	28
Operación de iPod .....	32
Cuidado y Mantenimiento .....	34
Resolución de Problemas .....	35
Especificaciones .....	36

## TABLE DES MATIÈRES

Introduction .....	37
Relâchement du panneau avant .....	38
Opération .....	39
Opération Tuner .....	41
Opération lecteur CD .....	44
Opération MP3/WMA .....	46
Opération iPod .....	49
Soin et Maintenance .....	51
Dépannage .....	52
Specifications .....	53



## Introduction

Congratulations on your purchase of the Jensen HD5313 Mobile Receiver. It's a good idea to read all of the instructions before beginning the installation. We recommend having your Jensen HD5313 installed by a reputable installation shop.

## Features

- \*HD Radio™ Technology with iTunes Tagging – Save Song Information from Most FM HD Radio Stations, 50 Song Memory Buffer, Transfers Song Information to iPod.
- iPod High Speed Direct Connect Interface via USB for Playlists, Artists, Albums and Songs. Power Management Charges iPod during iPod mode.
- SD Card Slot – Support for 8GB Media (Behind Front Panel)
- Front Panel Aux Input and USB – Supports Most Flash Memory Devices
- 5 Selectable EQ Curves – POP, JAZZ, CLAS, BEAT, ROCK
- Front, Rear and Sub RCA Line Outputs
- Black STN Liquid Crystal Display (LCD) with Blue LED Backlighting

\*HD Radio™ Technology Manufactured Under License From iBiquity Digital Corporation. U.S. and Foreign Patents. HD Radio™ and the HD and HD Radio logos are proprietary trademarks of iBiquity Digital Corporation.

## Precautions

---

**NOTE:** *If the HD5313 is to be installed in a car equipped with an on-board drive or navigation computer, do not disconnect the battery cable. If the cable is disconnected, the computer memory may be lost. Under these conditions, use extra caution during installation to avoid causing a short circuit.*

---

---

**WARNING!** *Only connect the unit to a 12-volt power supply with proper grounding.*

---

---

**WARNING!** *Never install this unit where operation and viewing could interfere with safe driving conditions.*

---

---

**WARNING!** *Never disassemble or adjust the unit.*

---

---

**WARNING!** *Avoid installing the unit where it will be subject to excessive temperature, such as from direct sunlight or hot air from the heater, or where it will be subject to dust, dirt or excessive vibration.*

---

---

**WARNING!** *To prevent injury from shock or fire, never expose this unit to moisture or water.*

---

---

**WARNING!** *Never use irregular discs.*

---

---


**WARNING!** *Using an improper fuse may cause damage to the unit and result in a fire.*

---

## Technical Assistance


If you require assistance, contact Technical Support at 1-800-323-4815 from 9:00am to 6:00pm EST Monday through Friday.

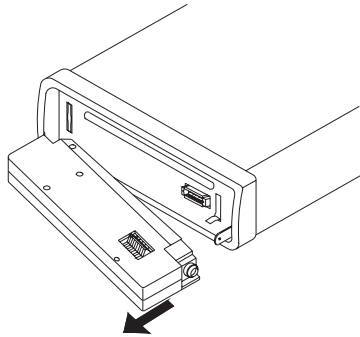
## Front Panel Release

The  (open) button (9) releases the mechanism that holds the front panel to the chassis.

### Detaching the Front Panel

To detach the front panel:

1. Press the power button (1) to turn the unit off.
2. Press the  button (9) and allow the front panel to fold down.
3. Pull to release the right side of the panel.
4. Pull the left side of the panel to remove it.



5. After removing the front panel, store it in the supplied carrying case and take it with you when you leave the car.

### Re-attaching the Front Panel

To re-attach the front panel, make sure the electrical terminals on the back of the panel are free of dust and dirt, as debris could cause intermittent operation or other malfunctions. Position the right side of the panel in place until correctly engaged, then lightly press the left side of the panel until the mechanism locks it into place.

### Precautions when Handling the Front Panel

- Do not drop the front panel.
- Do not put pressure on the display or control buttons when detaching or re-installing the front panel.
- Do not touch the contacts on the front panel or on the main unit body. It may result in poor electrical contact. Remove any dirt or foreign substances with a clean, dry cloth.

- Do not expose the front panel to high temperatures or direct sunlight.
- Keep all volatile agents (e.g. benzene, thinner, or insecticides) from touching the front panel.
- Do not attempt to disassemble the front panel.

## Operation

### Power

Press the  $\phi$  (power) button (1) or any other button on the front of the radio (except release) to turn the unit on. Press the power button to turn the unit off.

### Liquid Crystal Display (LCD)

The liquid crystal display (LCD) panel (8) displays the frequency, time and activated functions of the unit, including a disc indicator, which appears lit when a disc is inserted.

**NOTE: LCD panels may take longer to respond when subjected to cold temperatures for an extended period of time. In addition, the visibility of the numbers on the LCD may decrease slightly. The LCD display will return to normal when the temperature increases to a normal range.**

### Mode

Press **SRC** (2) to select a different mode of operation, as indicated on the display panel. Available modes include HD RADIO/TUNER (FM1, FM2, FM3, AM1, AM2), CD, USB, SD CARD, iPod (if connected) and AUX (auxiliary).

**NOTE: CD, USB, SD CARD and iPod modes are only available if the associated device or media is inserted.**

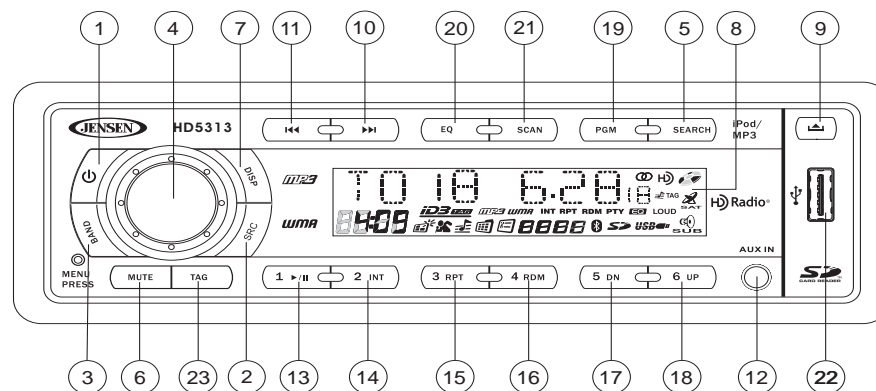
### Audio Mute

Press the **MUTE** button (6) to silence the audio volume. "MUTE" flashes in the display. Press any button to cancel MUTE.

### Volume / Audio Control

To increase the volume, rotate the rotary encoder (4) clockwise. To decrease the volume, rotate the rotary encoder counter-clockwise. When volume is adjusted, the volume level will be shown on the display panel as a number ranging from "VOL 00" (lowest) to "VOL 100" (highest).

Press the rotary encoder repeatedly to step through the following audio: VOLUME, BASS, TREBLE, BALANCE, FADER and SUB W. The unit automatically exits audio control mode after five seconds of inactivity.



### BASS

To adjust the bass level from "-10" to "10", press the rotary encoder until "BAS" appears on the display. Rotate the control clockwise to increase or counter-clockwise to decrease the bass. "00" represents a flat response.

### TREBLE

To adjust the treble level from "-10" to "10", press the rotary encoder until "TRB" appears on the display. Rotate the control clockwise to increase or counter-clockwise to decrease the treble. "00" represents a flat response.

### BALANCE

To adjust the balance from "10L" (full left) to "10R" (full right), press the rotary encoder until "BAL" appears on the display. Rotate the control to adjust the balance between the left and right speakers. "L=R" represents a center balance.

### FADER

To adjust the fader from "10F" (full front) to "10R" (full rear), press the rotary encoder until "FAD" appears on the display. Rotate the control to adjust the fader between the front and rear speakers. "F=R" represents an equal balance between the front and rear speakers.

### SUBW

To turn the subwoofer on/off, press the rotary encoder until "SUBW" appears on the display. Rotate the control to choose "ON" or "OFF". "OFF" is the default setting.

## Menu Operation

Press and hold the rotary encoder (4) to access the system menu. Repeatedly press the rotary encoder button to access menu options in the following order:

- **BEEP ON/OFF:** The beep tone feature allows the selection of an audible beep tone to be heard each time a button is pressed on the face of the radio. "BEEP ON" is the default display. Turn the rotary encoder to select the "BEEP OFF" option.
- **P--VOL:** Turn the rotary encoder to select the default volume the radio will assume when first turned on.
- **PCLK ON/OFF:** When "ON", the clock and backlight will remain on when the unit is turned off.
- **HOURS 12/24:** This option allows selection of a 12 hour or 24 hour clock format. "HOURS 12" is the default setting. Turn the rotary encoder to change to the 24 hour clock format.
- **DIMMER:** Turn the rotary encoder to change the LCD backlight brightness from HIGH (default) to MIDDLE to LOW.
- **LOCAL/DX (distant):** If the stereo signal is intermittent, you can select "LOCAL" to access only strong local stations. "DX" is the default setting.

## Equalizer

Press the **EQ** button (20) to choose one of the following pre-defined bass and treble curves: POP > JAZZ > CLAS > BEAT > ROCK > OFF.

## Loudness

Press and hold the **BAND** button (3) toggle loudness on/off. When listening to music at low volumes, this feature will boost the bass and treble ranges to compensate for the characteristics of human hearing.

## Auxiliary Input

To access an auxiliary device:

1. Connect the portable audio player to the AUX IN jack on the front panel (12).
2. Press the **SRC** button (2) to select AUX mode.
3. Press **SRC** again to cancel AUX mode and go to the next mode.

## Setting the Clock

If not already showing, press the **DISP** button (7) to display the clock. With the clock displayed, press and hold the **DISP** button and the time will flash on the display. Press the **>>|** button (10) to adjust the hours or the **|<<** button (11) to adjust the minutes. When in "HOURS 12" mode, "AM" or "PM" will appear on the display to indicate AM or PM. When no adjustment is

made for five seconds, the time will become set and normal operation will resume.

## Reset Button

The **RESET** button is located behind the front panel and should be activated for the following reasons:

- initial installation of the unit when all wiring is completed
- function buttons do not operate
- error symbol on the display

Use a ball point pen or thin metal object to press the **RESET** button. This may be necessary should the unit display an error code.



## Tuner Operation

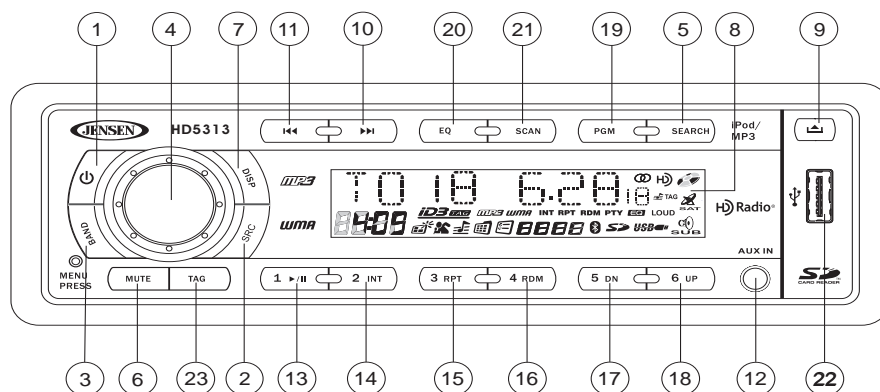
Press the **SRC** button (2) to switch to HD RADIO mode.

### About HD Radio™ Technology

HD Radio technology allows CD-quality digital broadcasting of your local AM and FM radio stations. HD Radio broadcasts can include multiple channels on the same frequency, which is called multicasting. With multicasting, you can receive up to three additional multicast channels: HD2, HD3, HD4. With your HD5313 radio, you will receive HD Radio digital broadcasts automatically when tuned to a station that offers HD Radio technology.

### Select a Band

Press the **BAND** button (3) to change between three FM bands and two AM band. Each band stores up to six preset stations.



## Tuning

When tuning to an HD Radio channel, "LINKING" may appear on the LCD while the initial digital information is received. Once linked, "Hd1" appears in the bottom center of the LCD.

**NOTE: Not all FM or AM stations offer HD Radio (digital) broadcasting. You will receive both analog and digital stations with the HD5313.**

### Manual Tuning

Press the >>| (10) or |<< (11) button for more than three seconds to enter manual tuning mode, then press the >>| or |<< buttons to move the radio frequency number up or down one step.

### Auto Seek Tuning

Press the >>| (10) or |<< (11) button to automatically seek the next station.

### HD Radio Multicast Channels

To tune to an HD Radio multicast channel, tune to the main signal and then press the **PGM** button (19). If a subchannel is available, the corresponding multicasting number appears in the bottom left corner of the LCD.

## Analog/Digital Reception

Press and hold the **PGM** button to change between "Auto", "Digital" and "Analog". When set to "AUTO", the station will first be received in Analog but will change to Digital when a digital signal is detected and the HD icon will illuminate. If the digital signal becomes unavailable, the unit will revert to Analog reception. In "Auto" or "Digital" mode, the HD icon flashes until a digital signal is received, and remains lit during digital HD Radio reception.

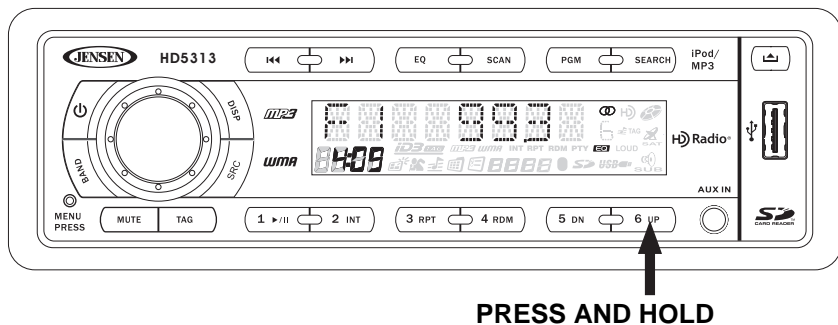
**NOTE: Digital signals are not as strong as traditional analog signals. When tuned to a digital HD Radio station, the signal may begin to fade in rural areas. In this case, switching to analog tuning will eliminate signal fading issues. However, you will not receive digital or HD Radio Multicast stations in analog mode.**

## Preset Stations

Six numbered preset buttons store and recall stations for each band.

### Store a Station

Select a band (if needed), then select a station. Hold a preset button (1-3) for three seconds. The preset number will appear in the display.



**PRESET NUMBER APPEARS**



**NOTE: HD Radio multicast channels can be stored as preset stations.**

### Recall a Station

Select a band (if needed). Press a preset button (1-3) to select the corresponding stored station.

### Scan

Press the **SCAN** button (21) to scan the current AM or FM band. The unit will pause for 5 seconds at each station. Press the **SCAN** button again to stop scanning when the desired station is reached.

### Broadcast Information

During HD Radio broadcasting, available broadcast information will automatically appear on the LCD. Press the **DISP** button (7) multiple times to view broadcast information in the following order:

- Band/Frequency
- Station Call Letters
- Song
- Artist

- RDS Category

The information will scroll across the screen if longer than 8 characters.

**NOTE: The amount of information displayed when receiving an HD Radio signal is dependent upon what is being broadcast. Some stations broadcast their call letters (name), the artist's name, song title, and category of music.**

## iTunes® Tagging

The HD5313 offers iTunes® Tagging, which allows the user to "Tag" songs playing on HD Radio™ stations for purchase later through iTunes. When the **TAG** button (23) is pressed, the unit stores the title and artist song information that can then be transferred to your iPod when connected to the USB connector. A list titled "Tagged" will appear in iTunes, allowing you the option to purchase your tagged songs.

### iPod Compatibility

Models supported, but not limited to, include the following

- iPod Nano 4G
- iPod Classic
- iPod Touch
- iPod Nano 3G

### Tagging Music

To begin tagging music, tune to an HD Radio station. The "TAG" icon must be illuminated, indicating a digital station is being received. Press the **TAG** button. The song information is saved to the head unit memory until an iPod is connected. When the tag is successful, the screen displays "TAG SENT". You can tag up to 50 songs before the tags must be transferred to an iPod or deleted. When the Tag memory reaches capacity (50 tags) the screen displays "STORED FULL".

Table 1: TAG Messages

Tag Message	Reason
TAG NOT AVAILABLE	Make sure HD Radio signal is being received.
ALREADY STORED	Song has already been tagged. You cannot save the same song twice unless you tag it on a different station.
IPOD ERR	iPod error. Check iPod.
TRANSFER FAILED	Error sending tags to the iPod. Make sure iPod is powered on and reconnect until "TAG SENT" is displayed.

Table 1: TAG Messages

Tag Message	Reason
THIS IPOD NOT SUPPORT TAG	iPod is not compatible for tagging. Check list of compatible iPods.
IPOD IS FULL	Not enough space on iPod to store tags.
STORED FULL	Head unit memory is full.

---

**NOTE: Tags saved to your iPod can be managed using the iTunes software, available at [www.apple.com/itunes](http://www.apple.com/itunes).**

---

#### **Downloading Tags to your iPod**

To download tags to your iPod, plug an iPod into the USB connector. All existing tags are automatically transferred to the iPod and deleted from the head unit's memory. If an iPod is connected when a song is tagged, the Tag will be immediately transferred to the iPod.

---

**NOTE: When transferring Tags to an iPod, the head unit must remain in Radio mode until the "TAG SENT" message is displayed. To purchase tagged songs, you must sync your iPod to iTunes and then click the "Tagged" list on the left side of the iTunes software screen. Click the "view" button for purchasing information.**

---


#### **Erase Tags Stored on Head Unit**

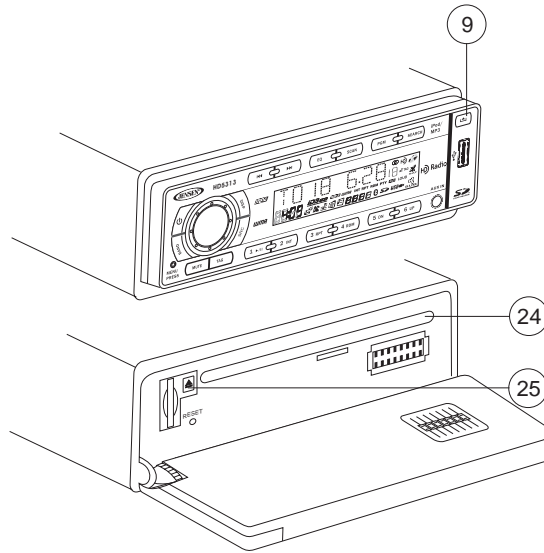
To delete all tags stored on the head unit, press and hold the **TAG** button for 5 seconds. When "DEL TAG" appears on the display, push the rotary encoder to confirm the tag erase operation. When all tags have been deleted, "DEL OK" appears on the screen.

## CD Player Operation


CD mode can only be accessed when a disc is inserted. If a disc is already in place, press the **SRC** button (2) to access CD mode and begin playback automatically.

### Insert CD

Press the  button (9) and allow the front panel to fold down to display the disc slot. With the label surface facing up, fully insert a compact disc into the slot until the mechanism engages and pulls the disc in. After inserting a disc, lift the front panel up to return it to the closed position and begin playing the disc.



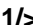
### Eject CD

To eject a disc, first press the  button (9) and allow the front panel to fold down to display the disc slot (24).



Press the eject button (25) located to the left of the disc slot to eject the disc. If the disc is not removed from the unit within 15 seconds, the disc will be reloaded to prevent accidental damage.



**NOTE: The unit is designed for play of standard 5" (12 cm.) compact discs only. Do not attempt to use 3" (8 cm.) CD singles in this unit, either with or without an adaptor, as damage to the player and/or the disc may occur. Such damage will not be covered by the warranty on this product.**

### Pause

Press the  button (13) to suspend disc play. Press the play/pause button again to resume disc play.

### Track Select

Press the  (10) or  (11) button for less than one second to advance to the next track on the CD. The selected track number will appear on the

display. Press and hold the  (10) or  (11) button for more than one second to fast forward or fast reverse through the disc. CD play starts when the button is released.

### Intro Scan (INT)

During disc play, press **2/INT** (14) to play the first 10 seconds of each track on the disc. When the desired track is reached, press **2/INT** again to end the scan and play the selected track.

### Repeat (RPT)

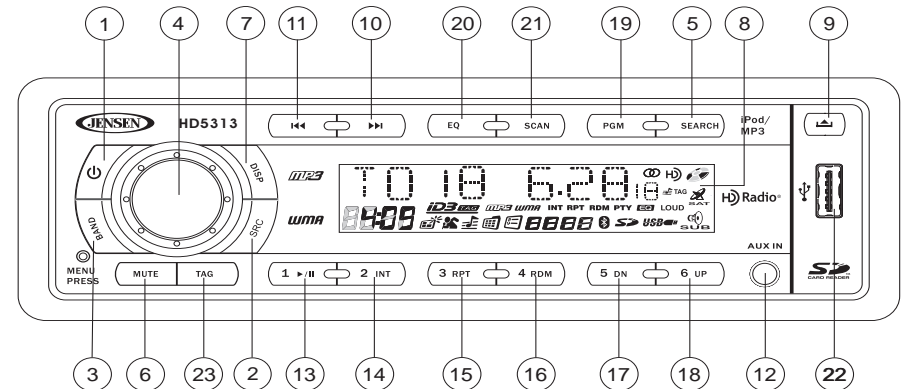
Press **3/RPT** (15) during disc play to continuously repeat the track. Press **3/RPT** again to stop repeating.

### Random (RDM)

Press **4/RDM** (16) during disc play to play all tracks on a CD in random, shuffled order. Press **4/RDM** again to stop random play.

### Display ID3 Tag Information

Press the **DISP** button (7) to display any text encoded on the CD (song title, artist, etc.).



### CD Player Error Codes

If a problem should develop while operating the CD player, one of the following error codes may appear on the display panel:

- ERROR-1: Mechanical error (insert disc/eject disc)
- ERROR-2: Servo disc error

- ERROR-3: Servo DSP error
- ERROR-4: USB Error
- NO FILE: The media source (CD, USB, SD CARD) contains no media files
- IPOD ERR: iPod authentication error or connected iPod not supported
- INVALID: Action not applicable (i.e. **5 DN/6 UP** pressed when disc has no folders)

If an error code should appear, try ejecting and reloading the disc or device into the player. While the media source is out of the unit, make sure it is clean and undamaged, and then load it correctly. If this does not solve the problem, pressing the reset button may help, but will erase the time and preset memory. If the suggested measures do not solve the problem, contact an authorized warranty station near you or contact customer service at 1-800-323-4815 for further assistance.

### **Electronic Shock Protection (ESP)**

This unit is equipped with electronic shock protection as follows:

- CD-DA: About 10Sec (Non compressed mode)  
About 34Sec (Compressed mode)
- MP3: About 20Sec (@44.1KHz/128Kbps)  
About 10Sec (@44.1KHz/256Kbps)
- WMA: About 22Sec (Regardless of Bitrate)

## MP3/WMA Operation

MP3 and WMA (Windows Media Audio) music files are digital audio files that are compressed to allow more files on a single CD. This unit can play MP3/WMA directly from files contained on a CD-R/RW, SD card or USB device using the buttons on the receiver as described below. Many types of software are available for converting audio files into MP3/WMA formats. Jensen recommends *Nero* or *Roxio Easy CD Creator*. Depending on the media type and recording method, some CD-R/RWs may be incompatible with this unit. This unit supports playback of MP3/WMA and CDDA (CDA), Mixed-Mode CDs and CD-Extra (including multi-session discs). **Discs on which the session has not been closed will not play.**

### Notes on MP3/WMA Play

This unit can play MP3 (MPEG1, 2, 2.5 Audio Layer 3). However, the MP3 recording media and accepted formats are limited. When writing MP3/WMA, pay attention to the following restrictions.

#### Acceptable Media

The MP3/WMA recording media acceptable to this unit are CD-ROM, CD-R and CD-RW, SD cards and USB devices. When using CD-RW, use full format rather than quick format to prevent malfunction.

#### Acceptable Medium Formats

The following formats are available for the media used in this unit. The maximum number of characters used for file name including the delimiter (".") and three-character extension are indicated in parentheses.

- ISO 9660 Level 1 (11 characters)
- ISO 9660 Level 2 (31 characters)
- Joliet (unicode)

Up to 200 characters can be displayed in the long file name format. For a list of available characters, see the instruction manual of the writing software and the section "Entering File and Folder Names" below. The media reproducible on this unit has the following limitations:

- Maximum number of nested folders: 8
- Maximum number of files per disc: 999
- Maximum number of folders per disc: 255 (256 for USB/SD)
- Maximum number of files per media device: 9999

MP3/WMA written in formats other than those listed above will not play successfully and their file names or folder names will not be displayed properly.

### MP3/WMA Encoder and CD Writer Settings

Use the following settings when compressing audio data in MP3 data with the MP3 encoder.

- Sampling bit rate: MP3/WMA: 16~320 Kbps & VBR
- Sampling frequency: MPEG1: 32/44.1/48 KHz, MPEG2: 16/22.05/24 KHz, MPEG2.5: 8/11.025/12 KHz, WMA: 22.05/32/44.1/48 KHz.

When using a CD writer to record MP3/WMA up to the maximum disc capacity, disable additional writing. To record an empty disc up to the maximum capacity at once, select the "disc at once" option.

#### Entering ID3 Tag

This unit supports ID3 versions 1.0, 1.1, 2.0 and 2.3 (Max 64 bytes). For the character codes, refer to the table to the right.

0	1	2	3	4	5	6	7	8	9	A	B	C	D	E	F
0										▣	°	À	Á	Â	ã
1										ı	±	Ä	Å	ä	å
2										²	³	Ä	Å	ä	å
3										£	³	Ä	Å	ä	å
4										□	◊	Ä	Å	ä	å
5										¥	μ	Ä	Å	ä	å
6										!	¶	Æ	Ö	æ	ö
7										§	•	Ç	X	ç	+
8										¸	†	É	Ø	é	ø
9										©	¹	É	Ü	é	ü
A										ª	»	Ê	Ü	ê	ü
B										«	»	Ë	Ü	ë	ü
C										¼	½	İ	Ü	ı	ü
D										½	¾	ı	ı	ı	ı
E										¾	¾	ı	ı	ı	ı
F										—	đ	ı	ı	ı	ı

#### Entering File and Folder Names

Names using the code list characters are the only file names and folder names that can be entered and displayed. Using any other character will cause the file and folder names to be displayed incorrectly. The unit recognizes and plays only files with the MP3/WMA extension.

**NOTE: A file name entered with characters not on the code list may not play correctly.**

#### Writing Files into a Medium

When a medium containing MP3/WMA data is loaded, the unit checks all data. If the medium contains many folders or non-MP3/WMA files, MP3/WMA play will be delayed, it may take time for the unit to move to the next file, and searches may not be performed smoothly or it may not play at all. Loading such a medium may produce loud noise and cause damage to the speakers. **Do not attempt to play a medium containing a non-MP3/WMA file with the MP3/WMA extension or a medium containing non MP3/WMA files.**

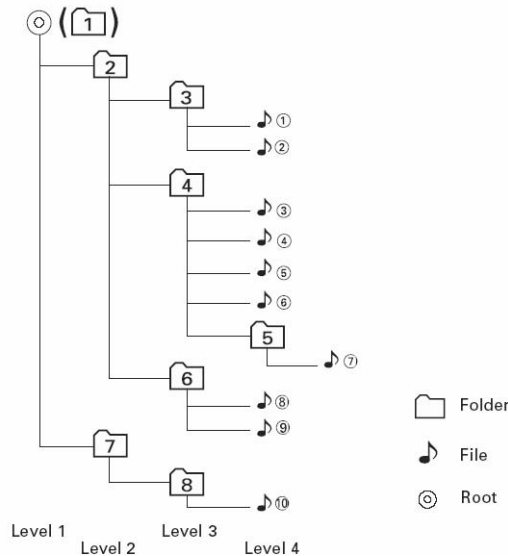
#### Bit Rates

The unit supports bit rates from 16 - 320 kbps.

### File Playing Order

When selected for play, files and folders are accessed in the order they were written by the CD writer. As a result, the order in which they are expected to be played may not match the order in which they are actually played. You may be able to set the order in which MP3/WMA are to be played by writing them onto a medium such as a CD-R with their file names beginning with play sequence numbers such as "01" to "99".

For example, a medium with the following folder/file hierarchy is subject to File or Track Search, as shown below.



### Loading an MP3/WMA Disc

Press the button (9) to lower the front panel, then Insert an MP3/WMA disc. After the disc is loaded, the track number and elapsed time will appear, then the display will scroll through any ID3 Tag information while the file is playing. If the disk contains ID3 tag information, you can scroll through it by pressing the **DISP** button (7). If no ID3 tag information is available, the unit will display the elapsed time. When ID3 information is available, the display will alternate between track name and format/track number.

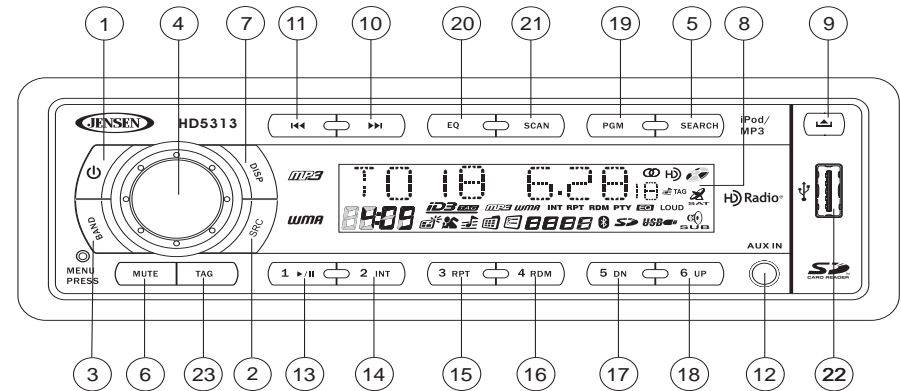
### Installing a USB Device

Insert your USB thumb drive into the USB slot (22) on the front of the radio. The unit will automatically search for MP3 and WMA files on the device and

begin playback. You can access USB mode from any other mode by pressing the **SRC** button (2). "USB" is displayed on the LCD. The "USB" icon flashes in the bottom right corner of the display when a USB device is being read and remains lit while inserted.

**NOTE: Not all USB devices are supported by this unit. Standard USB memory sticks approved by Microsoft are supported.**

**WARNING: Do not remove the device when USB PLAY mode is active. Press SRC (2) to change to another mode before removing the device.**



### Loading an SD Card

Insert the SD card, with the label facing the right side, into the SD slot located behind the front panel. Close the front panel when finished. The unit will read the files on the card automatically. The "SD" icon flashes in the bottom right corner of the display when an SD card is being read and remains lit while inserted.

To remove the card, first press the **SRC** button (2) to switch to another mode and stop SD playback. Press in on the card to eject it, and then pull it straight out. Most cards have a thin recess that helps with removal.

### Pause

Press the button (13) to suspend file play. Press the play/pause button again to resume play.

## Track Select

Press the >>| (10) or |<< (11) button for less than one second to advance to the next track, or press and hold to fast forward or fast reverse through the disc. Disc play starts when the button is released.

## Navigating Folders

Press the **5 DN** and **6 UP** buttons (17, 18) to move forward or backward 10 tracks. *Press and hold* to move to the next or previous folder/directory.

## Intro Scan (INT)

- Press the **INT** button (14) to select "INT FOLD" and play the first 10 seconds of each track in the current folder.
- Press **INT** again to select "INT ON" and play the first 10 seconds of each track.
- When the desired track is reached, press **INT** again to end the scan and play the selected track.

## Repeat (RPT)

- Press the **RPT** button (15) to select "RPT FOLD" and repeatedly play the current folder.
- Press **RPT** again to select "RPT ON" and repeatedly play the current file/track.
- Press **RPT** a third time to choose "RPT OFF" and resume normal playback.

## Random (RDM)

- Press the **RDM** button (16) to select "RDM FOLD" and randomly play the current folder.
- Press **RDM** again to select "RDM ON" and randomly play all files.
- Press **RDM** a third time to choose "RDM OFF" and resume normal playback.

## MP3/WMA File or Folder Search

The unit offers two methods of searching for files or folders:

### Direct File Number Search

- Press the **SEARCH** button (5). The LCD will display "TRK 001", allowing you to enter up to a 3-digit track number. The third digit position is active (blinking) when you first press the Search button.
- Turn the rotary encoder (4) to select the third digit of the track number.
- Press the rotary encoder to confirm and move to the second digit, or *press and hold* to play the selected track.
- Turn the rotary encoder to select the second digit of the track number.

- Press the rotary encoder to confirm and move to the first digit, or *press and hold* to play the selected track.
- Turn the rotary encoder to select the first digit of the track number.
- *Press and hold* the rotary encoder to confirm and play the selected track.

### Navigation Search

Press the **SEARCH** button (5) twice. The LCD will display "NAVIGATE". Turn the rotary encoder (4) to navigate through all folders and sub-folders on the disc. The folder names will be displayed on the LCD. Press the rotary encoder to access the sub-folders or files. Turn the rotary encoder to navigate, and then press the rotary encoder to confirm and begin file play. During navigation search, turn the rotary encoder counter-clockwise to return to the previous folder level.

## Display Information

Press the **DISP** button (7) to display the clock or available ID3 information, as follows: song title, directory name, artist name, etc.



## iPod Operation

### Accessing iPod Mode

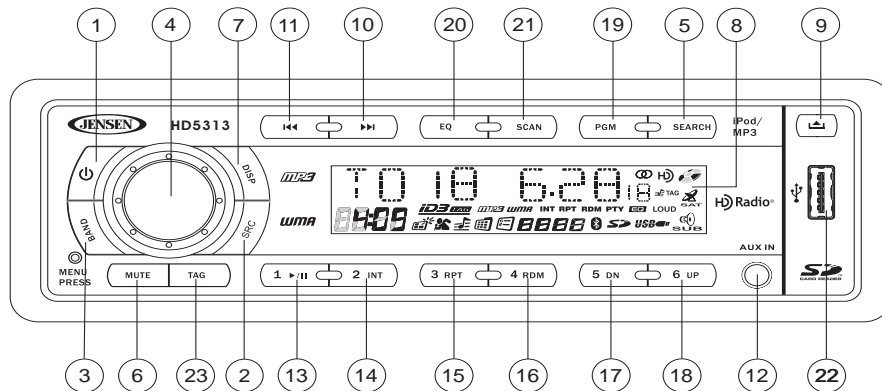
This unit is equipped with an iPod ready function that will allow you to control your iPod (if compatible) using the front panel control buttons. The following iPod versions are supported:

- iPod Nano 4G
- iPod Classic
- iPod Touch
- iPod Nano 3G

**NOTE: Use the Apple 30-pin iPod to USB cable that came with your iPod to connect the iPod to the USB connector.**

The unit will automatically switch to iPod mode when an iPod is plugged into the USB connector. To return to the iPod menu from any other source menu, press the **SRC** button (2) on the front panel until "IPOD" appears on the display.

**NOTE: The HD5313 will not select video files regardless of whether or not a video file was the last file playing when the iPod was plugged into the radio. Only music files are supported.**



### Turning the iPod On/Off

The iPod power turns on automatically when the iPod is connected to the 30-pin iPod cable, as long as the automobile ignition is turned on. You can turn the iPod off by disconnecting it from the cable or by turning the ignition

off. When the ignition is turned off, the iPod will pause and then enter sleep mode after 2 minutes.

**NOTE: When connected, the iPod will continuously recharge when the unit is in iPod mode, as long as the vehicle ignition is turned on.**

### Display Information

iPod song information, when available, appears on the LCD screen automatically during playback. Press the **DISP** button (7) to manually display iPod playback information in the following order:

- Track/Elapsed Time
- Clock
- Song TITLE
- ARTIST
- CATEGORY (Album Name)

### Play/Pause

Press the **1/>/||** button (13) to suspend or resume play. "PAUSE" flashes on the display when paused.

### Track Selection

#### Select a Track

Press the **>>|** (10) or **|<<** (11) for less than 1 second to advance to the next song in the current category. When a song has been playing for at least one second, press the **|<<** (11) to replay the song from the beginning. When a song has been playing for more than one second, you must press **|<<** twice to move to the previous file.

#### Fast Forward / Fast Reverse

Press and hold the **>>|** (10) or **|<<** (11) for more than 1 second to fast forward or fast reverse. Playback begins when the button is released.

### Repeat (RPT)

Press the **RPT** button (15) once during disc play to select "REPEAT SONG" and continuously repeat the selected song.

Press **RPT** twice to select "RPT ALBM" and continuously repeat the entire album/folder.

Press **RPT** a third time to select "RPT OFF" and stop the repeat function.

## Random (RDM)

Press the **RDM** button (16) to select “RDM ALL” and randomly play the files in all folders.

Press the **RDM** button again to select “RDM ALBM” and randomly play the files in the current album (folder).

Press **RDM** a third time to select “RDM OFF” and to stop the shuffle function.

## Category Search Mode

1. During iPod playback mode, press the **SEARCH** button (5) to enter iPod Category Search Mode.
2. Turn the rotary encoder (4) to access categories in the following order:
  - Playlist
  - Podcast
  - Artist
  - Album
  - Genre
  - Song
  - Composer
3. After selecting the desired category, press the rotary encoder button (4) within 5 seconds to confirm.
4. Turn the rotary encoder (4) to browse songs or folders in the current category.
5. Press the rotary encoder button within 5 seconds to select a category/song.
6. Repeat steps 4 and 5 until the desired song is played.

## Care and Maintenance

### CD Player

The following guidelines will help you extend the life of your CD player:

1. When cleaning the vehicle interior, do not get water or cleaning fluids on the unit.
  2. The CD player will not operate properly in extreme hot/cold or under damp conditions. In case of such conditions, wait until the vehicle interior reaches a normal temperature or any condensation on the disc player lens has evaporated before using the player.
  3. Never insert anything other than round 5" CDs into the player. Attempting to insert CDs of other sizes (even with an adaptor) will cause damage not covered by the warranty.
  4. Always remove the CD when the player is not in use.
  5. The unit is designed with a vibration dampening CD mechanism to minimize interruption of disc play due to normal vibration in a moving vehicle. However, occasional sound skips may occur when driving on very rough roads. This will not scratch or damage the disc, and normal play will resume when the rough conditions cease.
3. Discs should be kept in their storage cases when not in use.
  4. Do not expose discs to direct sunlight, high temperatures or high humidity for long periods.
  5. **Do not stick paper, tape or CD labels on disc surfaces, as internal damage may occur.**

### Compact Discs

#### *CD-R and CD-RW Capability*

Depending on media type and method of "recording/burning", some CD-R/RWs may be incompatible with this unit. After "recording/burning", the session must be closed. Please refer to your software's recommended procedures for closing a disc/session. Review your recording software to familiarize yourself with the correct "recording/burning" procedures. We recommend using the latest versions of ROXIO™ or NERO™ burning software.

In addition, **this unit will only recognize the CDDA (Compact Disc Digital Audio), .MP3 and .WMA formats** "recorded / burned" onto a CD-R/RW. **This unit does not support .WAV, .OGG or other formats.**

#### *CD Care and Handling*

Dirt, dust, scratches and warpage can cause skips in the playback and deterioration of sound quality. Please follow these guidelines to take care of your compact discs.

1. Carefully wipe fingerprints, dust and dirt from the disc's playing surface with a soft cloth. Wipe in a straight motion from the inside to the outside of the disc.
2. Never use chemicals such as record sprays or household cleaners to clean CDs, as they can irreparably damage the disc's surface.

## Troubleshooting

Problem	Cause	Corrective Action
Does not operate (display does not light)	No power to yellow wire; no power to red wire	Check connection with test light; check vehicle fuse with test light
	Fuse blown	Replace fuse
	Front panel not installed properly	Reinstall front panel
No power to unit	Fuse blown	Check/replace fuse
Not all speakers operate	Incorrect splices or connections	Check all splices and connections
	Speaker wires shorting to chassis ground or to each other	Check splices, insulate all bare wires
Blows fuses	Power wire shorting to ground	Make sure wire is not pinched
	Speaker wires shorting to ground	Make sure wire is not pinched
	Incorrect fuse/fuse too small	Install fuse of correct rating
CD skips too much	Receiver mount is not solid or backstrap is not secure	Check mounting and backstrap, tighten if needed
	Installation angle more than 30%	Adjust angle to less than 30%
ERROR 1	Mechanism error	Press reset button
No File	No supported files found on disc/card	Insert different disc card with appropriate file type
Disc error	Disc dirty, scratched, upside down	Replace with clean, properly installed disc

# Specifications



### CEA Power Ratings

Power Output . . . . . 13 Watts RMS x 4 channels into 4-Ohms @  $\leq$  1% THD+N  
 Signal to Noise Ratio . . . . . 70dBA below reference (Reference: 1 Watt, 4-Ohms)  
 Frequency Response . . . . . 20 Hz - 20 kHz, -3dB. (Aux Input used as reference input)  
 Reference Supply Voltage . . . . . 14.4VDC

### CD Player

Compatible Disc Media . . . . . CD-R/RW  
 Compatible Media Formats . . . . . CD-DA, MP3, WMA  
 Signal to Noise Ratio @ 1 kHz . . . . . >90dB  
 Frequency Response . . . . . 20Hz to 20 kHz, -3dB  
 Channel Separation . . . . . > 60dB @ 1 kHz  
 D/A Converter . . . . . 1bit/channel

### FM Tuner

Tuning Range . . . . . 87.5MHz - 107.9MHz  
 Mono Sensitivity (-30dB) . . . . . 10dBuV  
 Quieting Sensitivity (-50dB) . . . . . 15dBuV  
 Signal to Noise Ratio @ 1 kHz . . . . . 58dB  
 Stereo Separation @ 1 kHz . . . . . >30dB  
 Frequency Response . . . . . 30Hz - 12kHz, -3dB

### AM Tuner

Tuning Range . . . . . 530 kHz - 1710 kHz  
 Sensitivity (-20dB) . . . . . 15uV  
 Signal to Noise Ratio @ 1 kHz . . . . . 50dB  
 Frequency Response . . . . . 100Hz - 2kHz, -3dB

### Auxiliary Input

Input Sensitivity . . . . . 400mV RMS for 1 watt RMS into 4-ohms  
 Frequency Response . . . . . 20Hz to 20kHz, -3dB  
 Input Impedance . . . . . 10k ohms

### General

Power Supply . . . . . 11 to 16VDC, negative ground  
 Power Antenna (Blue) . . . . . 500mA max, current limited protection  
 Operating Temperature . . . . . -20C ~ 65C  
 Fuse . . . . . 15-amp, ATO type  
 DIN chassis dimensions . . . . . 7" X 7" X 2" (178mm x 178mm x 50mm)

Specifications subject to change without notice.



## Introducción

Felicitaciones por su compra del Jensen HD5313 Mobile Receiver. Es una buena idea leer todas las instrucciones antes de comenzar la instalación. Recomendamos hacer instalar su Jensen HD5313 por un taller de instalación confiable

### Características

- \*HD Radio™ c/ Etiquetado iTunes – Guarda Información de Canciones de la Mayoría de las Estaciones de Radio FM, Memoria Intermedia de 50 Canciones, Transfiere Información de Canciones al iPod.
- Interfaz de Conexión Directa de Alta Velocidad de iPod vía USB para Lista de Reproducción, Artistas, Álbumes y Canciones. El administrador de Energía carga el iPod cuando la unidad está en el modo de iPod.
- Ranura de Tarjeta SD – Soporta medios de 8GB (Detrás del Panel Frontal)
- Entrada Auxiliar y USB en el Panel Frontal – Soporta la mayoría de los dispositivos de memoria Flash
- 5 curvas de EQ seleccionables – POP, JAZZ, CLAS, BEAT, ROCK
- Salidas de Línea RCA Frontal, Trasera y Sub
- Pantalla de Cristal Líquido STN negra (LCD) con luz de fondo Azul a LED

Tecnología HD Radio™ Fabricada bajo licencia de iBiquity Digital Corporation. U.S. y Patentes Extranjeras. Los logos de HD Radio™ y de HD y HD Radio son marcas propietarias de iBiquity Digital Corporation.

### Precauciones

---

**NOTA: Si el HD5313 será instalado en un automóvil equipado con una computadora de abordo o de navegación, no desconecte el cable de la batería. Si se desconecta el cable, podría perderse la memoria de la computadora. Bajo estas condiciones, use un cuidado adicional durante la instalación para evitar provocar un cortocircuito.**

---



---

**¡ADVERTENCIA! Sólo conectar la unidad a un suministro de energía de 12 voltios con la adecuada conexión a tierra.**

---



---

**¡ADVERTENCIA! Nunca instale esta unidad donde la operación y la vista pudiera interferir con condiciones seguras de conducción.**

---



---

**¡ADVERTENCIA! Nunca desarme o ajuste la unidad.**

---



---

**¡ADVERTENCIA! Evite instalar la unidad donde estará sujeto a temperaturas excesivas, tales como a la luz solar directa o el aire caliente de la calefacción, o donde está sujeta a polvo, suciedad o vibración excesiva.**

---



---

**¡ADVERTENCIA! Para evitar lesiones por choque o incendio, nunca exponga esta unidad al agua o la humedad.**

---



---

**¡ADVERTENCIA! Nunca use discos irregulares.**

---



---


**¡ADVERTENCIA! El usar un fusible inadecuado podría producir un daño a la unidad y llevar a un incendio.**

---

### Asistencia Técnica


Si requiere asistencia, contacte al Soporte Técnico al 1-800-323-4815 de 9:00am a 6:00pm EST De Lunes a Viernes.

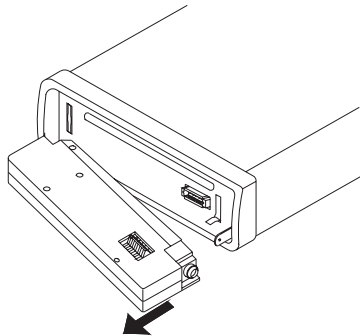
## Liberación del Panel Frontal

El botón  (abrir) (9) libera el mecanismo que mantiene en panel frontal en el chasis.

### Remover el Panel Frontal

Para remover el Panel Frontal:

1. Presione el botón de encendido (1) para apagar la unidad.
2. Presione el  botón (9) y permita que se deslice hacia abajo el panel frontal.
3. Tire para liberar el borde derecho del panel.
4. Tire del lado izquierdo del panel para quitarlo.



5. Después de quitar el panel frontal, guárdelo en el estuche de transporte provisto y llévelo con usted cuando deja el automóvil.

### Re-Colocar el Panel Frontal

Para volver a colocar el panel frontal, asegúrese que los terminales eléctricos en la parte trasera del panel están libres de polvo y suciedad, como partículas podrían producir un funcionamiento intermitente u otras fallas. Posicione el lado derecho del panel en su lugar hasta que enganche correctamente, luego presione ligeramente el lado izquierdo del panel hasta que el mecanismo se bloquee en el lugar.

### Precauciones cuando manipula el Panel Frontal

- No deje caer el panel frontal.
- No ponga presión en la pantalla o botones de control cuando quita o vuelve instalar el panel frontal.

- No toque los contactos en el panel frontal o en el cuerpo de la unidad principal. Podría provocar un mal contacto eléctrico. Quitar cualquier suciedad o sustancia extraña con un paño limpio y seco.
- No exponga el panel frontal a altas temperaturas o la luz solar directa.
- Mantenga alejados todos los agentes volátiles (por ejemplo, bencina, tinner, o insecticidas) para que no toquen el panel frontal.
- No intente desarmar el panel frontal.



## Operación

### Encendido

Presione el  $\Phi$  botón (encendido) (1) o cualquier otro botón en el frente de la radio (excepto "release") para encender la unidad. Presione el botón de encendido para apagar la unidad.

### Pantalla de Cristal Líquido (LCD)

El panel de pantalla de cristal líquido (LCD) (8) muestra la frecuencia, hora y funciones activadas de la unidad, incluyendo el indicador de disco, la cual aparece encendido cuando se inserta un disco.

**NOTA:** Los paneles LCD podrían tomar mas tiempo en responder cuando están sujetos a temperaturas frías por un largo período de tiempo. Además, la visibilidad de los números en el LCD podría disminuir ligeramente. La pantalla LCD volverá su estado a normal cuando la temperatura aumenta a valores normales.

### Modo

Presione **SRC** (2) para seleccionar un modo distinto de funcionamiento, como se indica en el panel de muestra. Los modos disponibles incluyen HD RADIO/SINTONIZADOR (FM1, FM2, FM3, AM1, AM2), CD, USB, TARJETA SD, iPod (si está conectado) y AUX (auxiliar).

**NOTA:** Los modos CDP, USB, SD CARD, e iPod sólo están disponibles si el dispositivo o medio asociado está insertado.

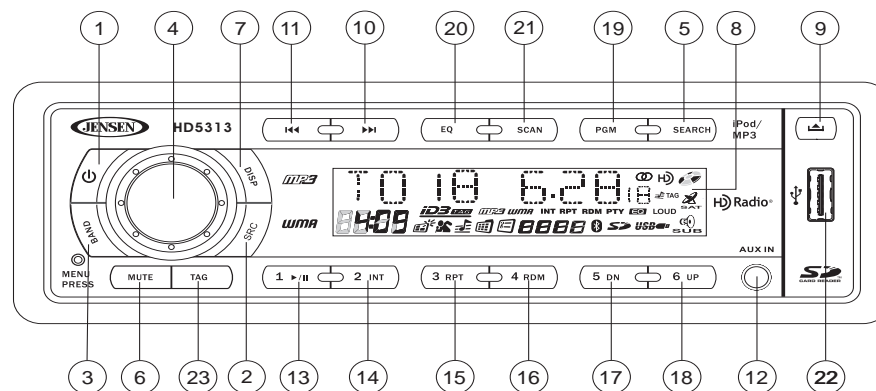
### Silenciar Audio

Presione el botón **MUTE** (6) para silenciar el volumen de audio. "MUTE" parpadea en la pantalla. Presione cualquier botón para cancelar MUTE.

### Control de Volumen / Audio

Para aumentar el volumen, girar el codificador giratorio (4) en sentido horario. Para disminuir el volumen, girar el codificador giratorio en sentido anti horario. Cuando se ajusta el volumen, el nivel de volumen se mostrará en el panel de pantalla como un número que varía desde "VOL 00" (más bajo) a "VOL 100" (más alto).

Presione el codificador giratorio para avanzar a través de los siguientes audio: VOLUME, BASS, TREBLE, BALANCE, FADER y SUB W. La unidad sale automáticamente del modo de control de audio después de cinco segundos de inactividad.



### BASS (Graves)

Para ajustar el nivel de graves desde "-10" a "10", presione el codificador giratorio hasta que aparezca "BAS" en la pantalla. Girar el control en sentido horario para aumentar y en sentido anti horario para disminuir los graves. "00" representa una respuesta plana.

### TREBLE (Agudos)

Para ajustar el nivel de agudos desde "-10" a "10", presione el codificador giratorio hasta que aparezca "TRB" en la pantalla. Girar el control en sentido horario para aumentar y en sentido anti horario para disminuir los agudos. "00" representa una respuesta plana.

### BALANCE

Para ajustar el nivel de balance desde "10L" (todo a la izquierda) a "10R" (todo a la derecha), presione el codificador giratorio hasta que aparezca "BAL" en la pantalla. Girar el control para ajustar el balance entre los parlantes izquierdo y derecho. "L=R" representa un balance central.

### FADER (Esfumar)

Para ajustar el nivel de Fader desde "10F" (todo al Frente) a "10R" (todo a atrás), presione el codificador giratorio hasta que aparezca "FAD" en la pantalla. Girar el control para ajustar el Fader entre los parlantes izquierdo y derecho. "F=R" representa un equilibrio igual entre los parlantes delanteros y traseros.

## SUBW

Para encender/apagar el subwoofer presione el codificador giratorio hasta que aparezca "SUBW" en la pantalla. Gire el control para seleccionar "ON" o "OFF". "OFF" es la fijación predeterminada.

## Menú de Operación

*Presione y mantenga* el codificador giratorio (4) para acceder al menú del sistema. Presione repetidamente el botón de codificador giratorio para acceder a las opciones de menú en el siguiente orden:

- **BEEP ON/OFF:** La función de tono beep permite la selección de un tono beep audible para ser escuchado cada vez que es presionado un botón en la cara de la radio. "BEEP ON" es la muestra predeterminada. Gire el codificador giratorio para seleccionar la opción "BEEP OFF".
- **P--VOL:** Girar el codificador giratorio para seleccionar el volumen predeterminado que la radio asumirá en principio cuando se encienda.
- **PCLK ON/OFF:** Cuando está en "ON", el reloj y la luz de fondo permanecen encendidos cuando la unidad se apaga.
- **12/24 HORAS:** Esta opción permite la selección de un formato de reloj de 12 o 24 horas. "HOURS 12" es la fijación predeterminada. Girar el codificador giratorio para cambiar el formato de reloj a 24 horas.
- **DIMMER:** Presione el codificador giratorio para cambiar el brillo de la luz de fondo del LCD desde HIGH (predeterminado) a MIDDLE o LOW.
- **LOCAL/DX (distante):** Si la señal estéreo es intermitente, puede seleccionar "LOCAL" para acceder sólo estaciones locales fuertes. "DX" es la fijación predeterminada.

## Ecuilizador

Presione el botón **EQ** (20) para elegir una de las siguientes curvas pre definidas de graves y agudos: POP > JAZZ > CLAS > BEAT > ROCK > OFF.

## Sonoridad

*Presione y mantenga* el botón **BAND** (3) para alternar la sonoridad en on/off. Cuando escucha música a volúmenes bajos, esta función reforzará los rangos de graves y agudos para compensar las características de la audición humana.

## Entrada Auxiliar

Para acceder un dispositivo auxiliar:

1. Conecte el reproductor portátil de audio en el conector AUX IN en el panel frontal (12).
2. Presione el botón **SRC** (2) para seleccionar un modo AUX.
3. Presione **SRC** nuevamente para cancelar el modo AUX e ir al modo siguiente.

## Cómo configurar el Reloj

Si no se está mostrando, presione el botón **DISP** (7) para mostrar el reloj. Cuando se muestre el reloj, *presione y mantenga* el botón **DISP** y la hora parpadeará en la pantalla. Presione el botón **>>|** (10) para ajustar las horas o el botón **|<<** (11) para ajustar los minutos. Cuando está en modo "HOURS 12", "AM" o "PM" aparecerá en la pantalla para indicar AM o PM. Cuando no se hacen ajustes por 5 segundos, la hora quedará fijada y se retornará al funcionamiento normal.

## Botón de Restaurar

El botón **RESET** está ubicado detrás del panel frontal y debería activarse por las siguientes razones:

- Instalación inicial de la unidad cuando todo el cableado está terminado
- Los botones de función no funcionan
- Símbolo de error en pantalla

Use la punta de una pluma o un objeto metálico fino para presionar el botón **RESET**. Esto podría ser necesario si la unidad muestra un código de error.

## Operación de Sintonizador

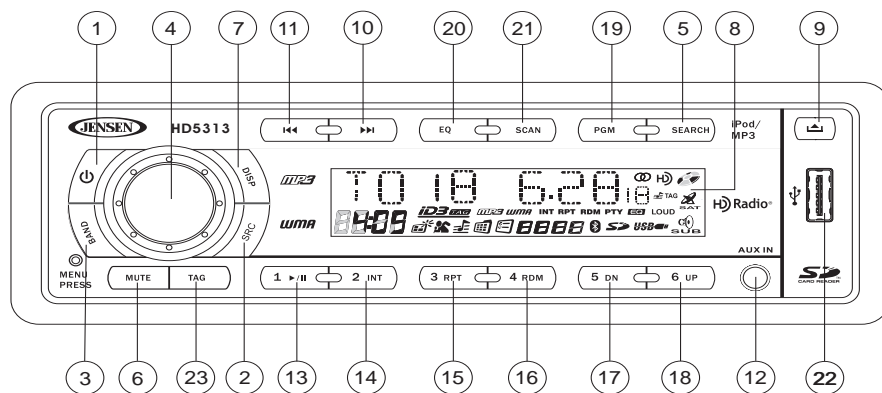
Presione el botón **SRC** (2) para cambiar al modo HD RADIO.

### Acerca de la Tecnología HD Radio™

La tecnología HD Radio permite la difusión digital de calidad CD de sus estaciones locales de radio AM y FM. La difusión de HD Radio puede incluir canales múltiples en la misma frecuencia, lo cual se llama multidifusión. Con multidifusión, puede recibir hasta tres canales adicionales de multidifusión: HD2, HD3, HD4. Con su radio HD5313, recibirá transmisiones digitales de HD Radio automáticamente cuando sintoniza una estación que ofrece tecnología de HD Radio.

### Seleccionar una Banda

Presione el botón **BAND** (3) para cambiar entre tres bandas FM y dos bandas AM. Cada banda almacena hasta seis estaciones predeterminadas.



### Sintonizador

Cuando sintoniza un canal de HD Radio, aparecerá "LINKING" en el LCD mientras se recibe la información digital inicial. Una vez enlazado, aparece "Hd1" en el centro inferior del LCD.

**NOTA: No todas las estaciones FM o AM ofrecen transmisión de HD Radio (digital). Recibirá estaciones analógicas y digitales con el HD5313.**

### Sintonizado Manual

Presione el botón >>| (10) o |<< (11) por más de tres segundos para ingresar el modo de sintonía manual, luego presione los botones >>| o |<< para mover el número de frecuencia de radio hacia arriba o abajo un paso.

### Sintonizado automático

Presione el botón >>| (10) o |<< (11) para buscar automáticamente la próxima estación.

### Canales de HD Radio Multidifusión

Para sintonizar un canal de HD Radio Multidifusión, sintonice la señal principal y luego presione el botón **PGM** (19). Si hay disponible un canal Multidifusión, el número de multidifusión que corresponde aparece en la esquina inferior izquierda del LCD.

### Recepción Analógica/Digital

Presione y mantenga el botón **PGM** para cambiar entre "Auto", "Digital" y "Analog". Cuando se fija en "AUTO", la estación será recibida primero en Analógico pero cambiará a Digital cuando se detecta una señal digital y el icono HD se iluminará. Si la señal digital deja de estar disponible, la unidad vuelve a la recepción Analógica. En modo "Auto" o "Digital", el icono HD parpadea hasta que sea recibida una señal digital, y permanece encendida durante la recepción de HD Radio digital.

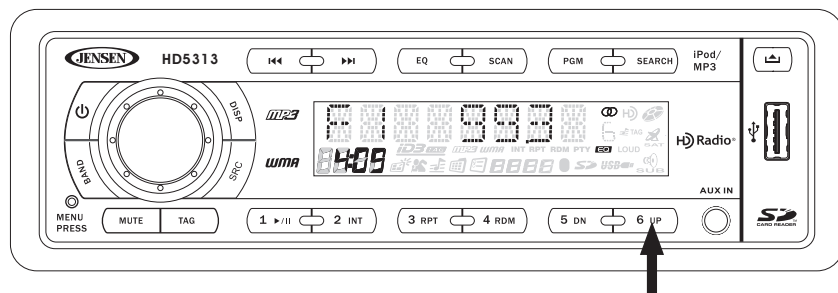
**NOTA: las señales digitales no son tan fuertes como las señales analógicas tradicionales. Cuando sintoniza una estación de HD Radio digital, la señal comienza a disminuir en áreas rurales. En este caso, el cambiar a la sintonía analógica eliminara los problemas de disminución de señal. Sin embargo, no recibirá estaciones digitales o de HD Radio Multidifusión en modo analógico.**

## Estaciones Prefijadas

Seis botones numerados de prefijado almacenan y activan estaciones para cada banda.

### Almacenar una Estación

Seleccione una banda (si es necesario), luego seleccione una estación. Mantener un botón de prefijado (13-18) por tres segundos. el número prefijado aparecerá en la pantalla.



**PRESIONAR Y MANTENER**

**APARECEN LOS NÚMEROS PREFIJADO**



**NOTA: los canales de HD Radio multidifusión pueden almacenarse como estaciones prefijadas.**

### Recuperar una Estación

Seleccione una banda (si es necesario). Presione un botón prefijado (13-18) para seleccionar la estación almacenada correspondiente.

## Exploración

Presione el botón **SCAN** (21) para explorar la banda de AM o FM actual. La unidad pausará por 5 segundos en cada estación prefijada. Presione el botón **SCAN** nuevamente para detener la exploración cuando se alcanza la estación deseada.

## Información de Emisión

Durante la difusión de HD Radio, aparecerá información disponible de difusión automáticamente en el LCD. Presione el botón **DISP** (7) varias veces para ver información de difusión en el siguiente orden.

- Banda/Frecuencia
- Letras de Identificación de Estación
- Canción
- Artista
- Categoría RDS

La información se desplazará por la pantalla si es más largo de 8 caracteres.

**NOTA: La cantidad de información mostrada cuando recibe una señal de HD Radio depende de lo que se está transmitiendo. Algunas estaciones transmiten sus letras de identificación (nombre), el nombre del artista, el título de la canción, y la categoría de la música.**

## Etiquetado de iTunes®

El HD5313 ofrece el Etiquetado iTunes®, el cual permite al usuario "Etiquetar" canciones que se reproduce en estaciones de HD Radio™ para comprar más tarde a través de iTunes. Cuando el botón **TAG** (23) es presionado, la unidad almacena la información del título y artista de la canción que luego puede ser transferida a su iPod cuando se conecta al conector USB. Una lista titulada "Tagged" aparecerá en iTunes, permitiéndole la opción de comprar sus canciones etiquetadas.

### Compatibilidad iPod

Los modelos soportados, pero sin limitarse a, incluye los siguientes

- iPod Nano 4G
- iPod Classic
- iPod Touch
- iPod Nano 3G

### Cómo Etiquetar Música

Para comenzar la música etiquetada, sintonice una estación HD Radio. El ícono "TAG" debe estar iluminado, indicando que se está recibiendo una estación digital. Presione el botón **TAG**. La información de canción es guardada en la memoria de la unidad principal hasta que se conecte a un iPod. Cuando el etiquetado es exitoso, la pantalla muestra "TAG SENT". puede etiquetar hasta 50 canciones antes que las etiquetas deban transferirse a un iPod o borrarse. Cuando la memoria de etiquetado alcanza su capacidad (50 etiquetas) la pantalla muestra "STORED FULL".

Tabla 1: Mensajes de Etiqueta

Mensaje de Etiqueta	Razón
TAG NOT AVAILABLE	Asegúrese que se está recibiendo HD Radio.
ALREADY STORED	La canción ya ha sido etiquetada. No puede guardar la misma canción dos veces a menos que las etiquete en una estación distinta.
IPOD ERR	Error de iPod. Verificar iPod.
TRANSFER FAILED	Error enviando etiquetas al iPod. Asegúrese que el iPod está encendido y reconecte hasta que se muestre "TAG SENT".
THIS IPOD NOT SUPPORT TAG	iPod no es compatible para etiquetado. Verificar la lista de iPods compatibles.
IPOD IS FULL	Sin espacio suficiente en el iPod para almacenar etiquetas.
STORED FULL	Memoria de la unidad central llena.

**NOTA:** Las etiquetas guardadas en su iPod pueden administrarse usando software iTunes, disponible en [www.apple.com/itunes](http://www.apple.com/itunes).

#### **Cómo descargar Etiquetas a su iPod**

Para descargar etiquetas a su iPod, enchufe un iPod en el conector USB. Todas las etiquetas existentes son transferidas automáticamente al iPod y borrados de la memoria de unidad central. Si hay conectado un iPod cuando una canción es etiquetada, la Etiqueta será transferida inmediatamente al iPod.

**NOTA:** Cuando transfiere Etiquetas a un iPod, la unidad central debe permanecer en modo Radio hasta que se muestre el mensaje "TAG SENT". Las canciones etiquetadas compradas, debe sincronizar su iPod a iTunes y luego pulse la lista "Tagged" en el lado izquierdo de la pantalla de software iTunes. Pulse el botón "view" para información de compra.

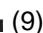
#### **Borrar Etiquetas Almacenadas en la Unidad Central**

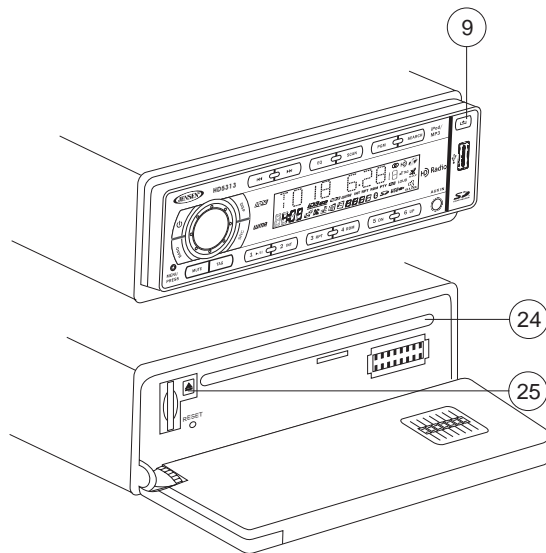
Para borrar todas las etiquetas almacenadas en la unidad central, presione y mantenga el botón **TAG** por 5 segundos. Cuando "DEL TAG" aparece en la pantalla, presione el codificador giratorio para confirmar la operación de borrado de etiqueta. Cuando todas las etiquetas han sido borradas, "DEL OK" aparece en la pantalla.

## Operación del Reproductor de CD

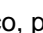
El modo CD sólo puede ser accedido cuando está insertado un disco. Si ya hay un disco, presione el botón **SRC** (2) para acceder el modo CD y comenzar automáticamente la reproducción.

### Insertar CD

Presione el botón  (9) y permitir que se deslice hacia abajo el panel frontal para mostrar la ranura de disco. Con la superficie de la etiqueta hacia arriba, inserte completamente un disco compacto dentro de la ranura hasta que el mecanismo enganche y tire al disco hacia adentro. Después de insertar un disco, deslice hacia arriba el panel frontal para llevarlo nuevamente a la posición cerrada y comenzar a reproducir el disco.




### Expulsar el CD

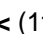
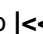
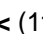
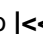
Para expulsar el disco, primero presione el botón  (9) y permita que se deslice hacia abajo el panel frontal para mostrar la ranura de disco (24). Presione el botón expulsar (25) ubicado a la derecha de la ranura del disco para expulsar el disco. Si el disco no es removido de la unidad dentro de los 15 segundos, el disco será vuelto a cargar para evitar daños accidentales.

**NOTA: La unidad está diseñada para reproducir sólo discos compactos estándar de 5" (12 cm.). No intente usar CD simples de 3" (8 cm.) en esta unidad, con o sin adaptador, dado que se podría producir el daño del reproductor y/o disco. Tales daños no estarán cubiertos por la garantía de este producto.**

### Pausa

Presione el botón  (13) para suspender la reproducción del disco. Presione el botón reproducir/pausar nuevamente para volver a la reproducción del disco.

### Selección de Pista

Presione el botón  (10) o  (11) por menos de un segundo para avanzar a la próxima pista en el CD. El número de pista seleccionada aparecerá en la pantalla. *Presione y mantenga* el botón  (10) o  (11) por más de un segundo para avance o retroceso rápido a través del disco. La reproducción del CD comienza cuando se suelta el botón.

### Búsqueda de Introducción (INT)

Durante la reproducción del disco, presione **2/INT** (14) para reproducir los primeros 10 segundos de cada pista en el disco. Cuando la pista deseada se alcanza, presione **2/INT** nuevamente para finalizar la búsqueda y reproducir la pista deseada.

### Repetir (RPT)

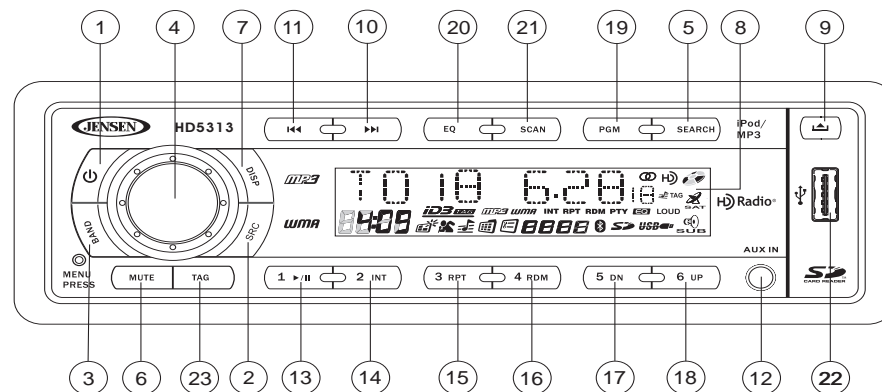
Presione **3/RPT** (15) durante la reproducción del disco para repetir continuamente la pista. Presione **3/RPT** nuevamente para detener la repetición.

### Aleatorio (RDM)

Presione **4/RDM** (16) durante la reproducción del disco para reproducir todas las pistas en un CD en forma aleatoria. Presione **4/RDM** nuevamente para detener la reproducción aleatoria.

### Mostrar información de Etiqueta ID3

Presione el botón **DISP** (7) para mostrar cualquier texto codificado (título de canción, artista, etc.).



## Códigos de error del Reproductor de CD

Si se desarrollara un problema durante el funcionamiento del reproductor de CD, un de los siguientes códigos de error podrían aparecer en el panel de pantalla.

- ERROR-1: Error mecánico (inserción de disco/expulsión de disco)
- ERROR-2: Error de Servo de disco
- ERROR-3: Error de Servo de DSP
- ERROR-4: Error USB
- NO FILE: El medio fuente (CD, USB, SD CARD) no contiene archivos.
- IPOD ERR Error de autenticación de iPod o iPod conectado no soportado
- INVALID: Acción no aplicable (por ejemplo **5 DN/6 UP** presionado cuando el disco no tiene carpetas)

Si apareciera un código de error, intente expulsando y volviendo a cargar el disco o dispositivo dentro del reproductor. Mientras el disco está fuera de la unidad, asegúrese que está limpio y sin daños, y luego cárguelo correctamente. Si esto no soluciona el problema, presionar el botón reset (restaurar) podría ayudar, pero borrará la hora y la memoria prefijada. Si las medidas sugeridas no resuelven el problema, contacte a la estación de garantía autorizada cerca suyo o contacte al servicio al cliente al 1-800-323-4815 para asistencia adicional.

## Protección Electrónica contra Choque (ESP)

Esta unidad está equipada con protección electrónica contra choque como sigue:

- CD-DA: Alrededor de 10Seg (modo sin compresión)  
Alrededor de 34Seg (modo comprimido)
- MP3: Alrededor de 20Seg (@44.1KHz/128Kbps)  
Alrededor de 10Seg (@44.1KHz/256Kbps)
- WMA: Alrededor de 22Seg (sin importar la velocidad de bit)



## Operación de MP3/WMA

Los archivos de música MP3 y WMA (Windows Media Audio) son archivos de audio digital que están comprimidos para permitir más archivos en un sólo CD. Esta unidad puede reproducir directamente MP3/WMA de archivos contenidos en un CD-R/RW, tarjeta SD o dispositivo USB usando los botones en el receptor como se describe a continuación. Hay varios tipos de software disponible para convertir archivos de audio en formatos MP3/WMA. Jensen recomienda *Nero* o *Roxio Easy CD Creator*.

Dependiendo del tipo de medio y método de grabación, algunos CD-R/RWs podrían ser incompatibles con esta unidad. Esta unidad soporta reproducción de MP3/WMA y CDDA (CDA), CDs de modo mixto y CD-Extra (incluyendo discos de sesiones múltiples). **Los Discos en los cuales la sesión ni se ha cerrado no se reproducirán.**

### Notas sobre reproducción de MP3/WMA

Esta unidad puede reproducir MP3 (MPEG1, 2, 2.5 Capa de Audio 3). Sin embargo, los medios de grabación de MP3 y los formatos aceptados están limitados. Cuando graba MP3/WMA, preste atención a las siguientes restricciones.

#### Medios Aceptables

Los medios aceptables de grabación MP3/WMA para esta unidad son CD-ROM, CD-R y CD-RW, tarjetas SD y dispositivos USB. Cuando usa CD-RW, use el formato completo en lugar del formato rápido para evitar el mal funcionamiento.

#### Formatos de Medios Aceptables:

Los siguientes formatos están disponibles para los medios usados en esta unidad. El número máximo de caracteres usados para nombre de archivo incluyendo el delimitador (".") y la extensión de tres caracteres están indicados en paréntesis.

- ISO 9660 Nivel 1 (11 caracteres)
- ISO 9660 Nivel 2 (31 caracteres)
- Joliet (unicode)

Pueden mostrarse hasta 200 caracteres en el formato de nombre largo de archivo. Para una lista de caracteres disponibles, ver el manual de instrucciones del software de escritura y la sección "Cómo Ingresar Nombres de Archivos y Carpetas" a continuación. El medio reproducible en esta unidad tiene las siguientes limitaciones:

- Numero máximo de carpetas jerarquizadas 8
- Numero máximo de archivos por disco 999
- Numero máximo de carpetas por disco 255 (256 para USB/SD)

- Numero máximo de archivos por dispositivo de medio 9999

Los MP3/WMA grabados en formatos distintos a los listados anteriormente no se reproducirán satisfactoriamente y sus nombres de archivos no serán mostrados adecuadamente.

#### Preferencias de Codificador MP3/WMA y Grabador de CD

Use las siguientes preferencias cuando comprime datos de audio en datos MP3 con el codificador de MP3.

- Tasa de Transferencia de Bit: MP3/WMA: 16~320 Kbps & VBR
- Frecuencia de la Muestra: MPEG1: 32/44.1/48 KHz, MPEG2: 16/22,05/24 KHz, MPEG2.5: 8/11.025/12 KHz, WMA: 22.05/32/44.1/48 KHz.

Cuando usa un grabador de CR para grabar MP3/WMA hasta la máxima capacidad del disco, desactive escritura adicional. Para grabar un disco vacío hasta la máxima capacidad de una vez, seleccione la opción "disc at once".

#### Cómo ingresar una Etiqueta ID3

Esta unidad soporta ID3 versiones 1.0, 1.1, 2.0 y 2.3 (Max 64 bytes). Para los códigos de carácter, refiérase a la tabla de la derecha.

#### Cómo ingresar nombres de Archivo y Carpeta

Los nombres que usan los caracteres de lista de código son los únicos nombres de archivo y nombres de carpeta que pueden ingresarse y mostrarse. El usar cualquier otro carácter causará que los nombres de archivo y carpeta se muestren incorrectamente. La unidad reconoce y reproduce sólo archivos con la extensión MP3/WMA.

	0	1	2	3	4	5	6	7	8	9	A	B	C	D	E	F		
0				0	@	P	·	p			°	À	Ä	à	ä			
1		!	1	A	Q	a	q				ı	±	Á	Ñ	á	ñ		
2		"	2	B	R	b	r				ç	²	Â	Ô	â	ô		
3		#	3	C	S	c	s				£	³	Ã	Õ	ã	õ		
4		\$	4	D	T	d	t				¤	⁴	Ä	Ö	ä	ö		
5		%	5	E	U	e	u				¥	µ	Å	Ö	å	ö		
6		&	6	F	V	f	v				¦	¶	Æ	Ø	æ	ø		
7		'	7	G	W	g	w				§	·	Ç	X	ç	×		
8		(	8	H	X	h	x				¸	†	É	Ø	é	ø		
9		)	9	I	Y	i	y				©	¹	Ê	Ü	ê	ü		
A		*	:	J	Z	j	z				ª	²	Ë	Ü	ë	ü		
B		+	:	K	[	k	{				»	³	«	»	Ë	Ü	ë	ü
C		,	<	L	\	l					¼	¹	¼	¼	Ë	Ü	ë	ü
D		-	=	M	]	m	}				½	²	½	½	Ë	Ü	ë	ü
E		.	>	N	^	n	~				¾	³	¾	¾	Ë	Ü	ë	ü
F		/	?	O	_	o	■				¸	²	¸	¸	Ë	Ü	ë	ü

**NOTA: Un nombre de archivo ingresado con caracteres que no están en la lista de código podrían no reproducirse correctamente.**

#### Cómo grabar archivos en un medio

Cuando se carga un medio que contiene datos MP3/WMA, la unidad verifica todos los datos. Si el medio contiene muchas carpetas o archivos no MP3/WMA files, la reproducción MP3/WMA se demorará, podría tomarle tiempo a la unidad para moverse al próximo archivo, y las búsquedas



podrían no realizarse suavemente o podría no reproducir nada. El cargar tal medio podría producir ruido grave y causar daños a los parlantes. **No intente reproducir un medio que contenga archivos no MP3/WMA con la extensión de MP3/WMA o un medio que contenga archivos no MP3/WMA.**

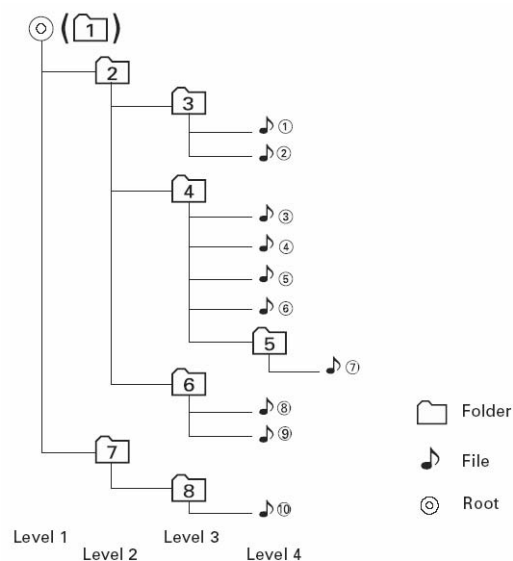
#### Tasas de Transferencia

Esta unidad soporta tasas de transferencia de 16 a 320 kbps.


#### Orden de Reproducción de Archivo

Cuando se selecciona para reproducción, los archivos y carpetas son accedidas en el orden que fueron escritas por el grabador de CD. Como resultado, el orden en cual se espera que sean reproducidos podría no coincidir con el orden en que son realmente reproducidos. Podría fijar el orden en el cual los archivos MP3/WMA serán reproducidos grabándolos en un medio tal como un CD-R con sus nombres de archivos comenzando con los números de secuencia de reproducción como "01" a "99".

Por ejemplo, un medio con la siguiente organización de carpeta/archivo está sujeto a Búsqueda de Archivo o Pista, como se muestra a continuación.



## Cómo cargar un Disco MP3/WMA

Presione el botón  (9) para bajar el panel frontal, luego inserte un disco MP3/WMA. Después que el disco esté cargado, aparecerá el número de pista y el tiempo transcurrido, luego la pantalla se desplazará por cualquier información de Etiqueta ID3 mientras se está reproduciendo el archivo. Si el disco contiene información de Etiqueta ID3, puede desplazarse por ella presionando el botón **DISP** (7). Si no hay disponible información de etiqueta ID3, la unidad mostrará el tiempo transcurrido. Cuando hay información de etiqueta ID3 disponible, la pantalla alternará entre el nombre de la pista y el formato/número de pista.

## Cómo instalar un Dispositivo USB

Inserte su dispositivo USB dentro de la ranura USB (22) en el frente de la radio. La unidad automáticamente buscará por archivos MP3 y WMA en el dispositivo y comienza la reproducción. Puede acceder el modo USB desde cualquier otro modo presionando el botón **SRC** (2). Se muestra "USB" en el LCD. El ícono "USB" parpadea en la esquina inferior derecha de la pantalla cuando se está leyendo un dispositivo USB y permanece encendido mientras está insertado.

---

**NOTA: No todos los dispositivos USB están soportados por esta unidad. Las placas de memoria USB Estándar aprobadas por Microsoft están soportadas.**

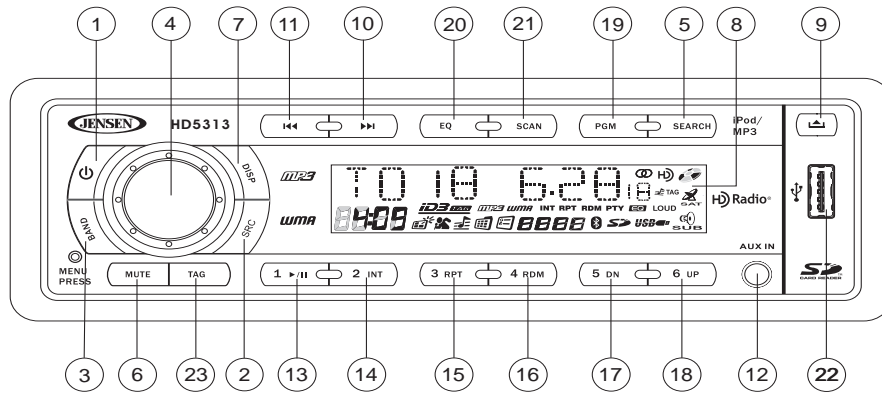
---



---

**ADVERTENCIA: No quitar el dispositivo cuando está activo el modo USB PLAY. Presione SRC (2) para cambiar a otro modo antes de quitar el dispositivo.**

---



### Cómo Cargar una Tarjeta SD

Inserte la tarjeta SD, el lado de la etiqueta hacia arriba, dentro de la ranura SD ubicada detrás del panel frontal. Vuelva a ubicar el panel frontal cuando finaliza.

La unidad leerá automáticamente los archivos en la tarjeta. El ícono "SD" parpadea en la esquina inferior derecha de la pantalla cuando se está leyendo un dispositivo SD y permanece encendido mientras está insertado.

Para quitar la tarjeta, primero presione el botón (2) SRC para cambiar a otro modo y detener la reproducción de SD. Presione hacia adentro la tarjeta para expulsarla, y luego quítela en forma recta. La mayoría de las tarjetas tienen un borde fino que ayuda a removerla.

### Pausa

Presione el botón 1/>/|| (13) para suspender la reproducción del archivo. Presione el botón play/pause nuevamente para volver la reproducción.

### Selección de Pista

Presione el botón >>| (10) o |<< (11) por menos de un segundo para avanzar a la próxima pista en el disco, o presione y mantenga para avance o retroceso rápido por el disco. La reproducción del disco comienza cuando se libera el botón.

### Cómo navegar por Carpetas

Presione los botones 5 DN y 6 UP (17, 18) para mover hacia adelante o atrás 10 pistas. *Presione y mantenga* para mover a la carpeta/directorio próxima o previa.

### Búsqueda de Introducción (INT)

- Presione el botón **INT** (14) para seleccionar "INT FOLD" y para reproducir los primeros 10 segundos de cada pista de la caldera actual.
- Presione **INT** nuevamente para seleccionar "INT ON" y para reproducir los primeros 10 segundos de cada pista.
- Cuando se alcanza la pista deseada, presione nuevamente **INT** para finalizar la exploración y reproducir la pista seleccionada.

### Repetir (RPT)

- Presione el botón **RPT** (15) para seleccionar "RPT FOLD" y reproducir repetidamente la carpeta actual.
- Presione **RPT** nuevamente para seleccionar "RPT ON" y reproducir repetidamente el archivo/pista actual.
- Presione **RPT** por tercera vez para seleccionar "RPT OFF" y volver a la reproducción normal.

### Aleatorio (RDM)

- Presione el botón **RDM** (16) para seleccionar "RDM FOLD" y reproducir aleatoriamente la carpeta actual.
- Presione **RDM** nuevamente para seleccionar "RDM ON" y reproducir aleatoriamente todos los archivos.
- Presione **RDM** por tercera vez para seleccionar "RDM OFF" y volver a la reproducción normal.

### Búsqueda de Archivo o Carpeta MP3/WMA

La unidad ofrece dos métodos de búsqueda por archivos o carpetas:

#### Búsqueda Directa de Número de Archivo

- Presione el botón **SEARCH** (5). El LCD mostrará "TRK 001", permitiéndole ingresar hasta un número de pista de 3 dígitos. La posición del tercer dígito está activa (parpadeando) cuando presiona primero el botón Search.
- Gire el codificador giratorio (4) para seleccionar el tercer dígito del número de pista.
- Presione el codificador giratorio para confirmar y mover al segundo dígito, o *presione y mantenga* para reproducir la pista seleccionada.
- Gire el codificador giratorio para seleccionar el segundo dígito del número de pista.
- Presione el codificador giratorio para confirmar y mover al primer dígito, o *presione y mantenga* para reproducir la pista seleccionada.
- Gire el codificador giratorio para seleccionar el primer dígito del número de pista.

- *Presione y mantenga* el codificador giratorio para confirmar y reproducir la pista seleccionada.

### **Navegación de Búsqueda**

Presione el botón **SEARCH** (5) dos veces. El LCD mostrará "NAVIGATE". Gire el Codificador giratorio (4) para navegar a través de todas las carpetas y sub-carpets en el disco. Los nombres de carpetas serán mostrados en el LCD. Presione el Codificador giratorio para acceder las sub-carpets o archivos. Gire el Codificador giratorio para navegar, y luego presione el codificador giratorio para confirmar y comenzar la reproducción de archivo. Durante la navegación de búsqueda, gire el Codificador giratorio en sentido anti horario para volver al nivel de carpeta anterior.

### **Pantalla de Información**

Presione el botón **DISP** (7) para mostrar el reloj o información ID3 disponible, como sigue: título de canción, nombre de directorio, nombre de artista, etc.

## Operación de iPod

### Cómo Acceder el Modo iPod

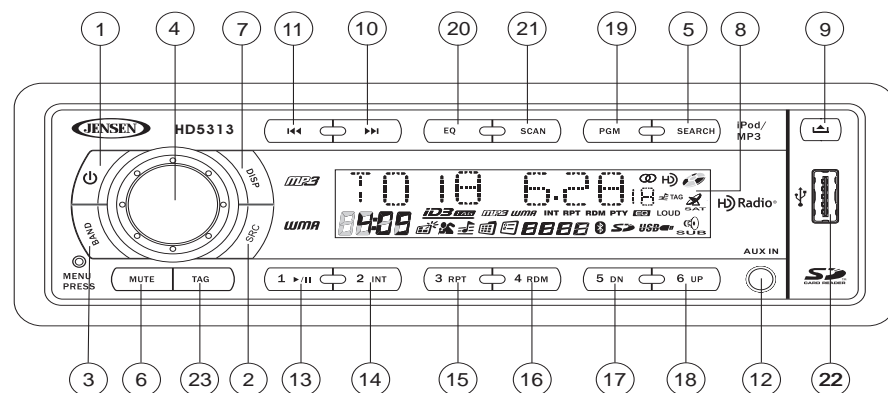
Esta unidad está equipada con una función lista para hipad que le permitirá controlar su hipad (si es compatible) usando los botones de control del panel frontal. Están soportadas las siguientes versiones de iPod:

- iPod Nano 4G
- iPod Classic
- iPod Touch
- iPod Nano 3G

**NOTA: Para conectividad de iPod, puede usar el cable blanco de USB iPod de 30 pines que viene con el dispositivo Apple.**

La unidad cambiará automáticamente a modo iPod cuando un iPod es enchufado dentro del conector USB. Para volver al menú iPod desde cualquier otro menú de fuente, presione el botón (2) **SRC** en el panel frontal hasta que aparezca "IPOD" en la pantalla.

**NOTA: El HD5313 no seleccionará archivos de video sin importar si un video o no fue el último archivo reproducido cuando iPod fue enchufado a la radio. Sólo están soportados archivos de música.**



### Cómo encender/apagar su iPod

El iPod enciende automáticamente cuando se conecta el iPod a un cable iPod de 30 pines, siempre que el encendido del automóvil esté encendido. Puede apagar el iPod desconectándolo del cable o apagando el encendido.

Cuando se apaga el encendido, el iPod pausará y luego ingresa a modo dormir después de 2 minutos.

**NOTA: Cuando está conectado, el iPod recargará continuamente cuando la unidad está en el modo de iPod, siempre que el encendido del vehículo se enciende.**

### Pantalla de Información

La información de canción iPod, cuando esté disponible, aparece en la pantalla LCD automáticamente durante la reproducción. Presione el botón **DISP** (7) para mostrar manualmente la información de reproducción de hipad en el siguiente orden:

- Pista/Tiempo Transcurrido
- Reloj
- TÍTULO DE Canción
- ARTISTA
- CATEGORÍA (Nombre de Álbum)

### Reproducir/Pausar

Presione el botón **1/2/||** (13) para suspender o reactivar la reproducción. "PAUSE" parpadea en la pantalla cuando está pausado.

### Selección de Pista

#### Seleccionar una Pista

Presione el **>>|** (10) o **|<<** (11) por menos de 1 segundo para avanzar a la siguiente canción en la carpeta actual. Cuando una canción se ha estado reproduciendo por al menos un segundo, presione el **|<<** (11) para volver a repetir la canción desde el comienzo. Cuando una canción se ha estado reproduciendo por más de un segundo debe presionar **|<<** dos veces para mover al archivo previo.

#### Avance Rápido/Retroceso Rápido

Presione y mantenga el botón **>>|** (10) o **|<<** (11) por más de 1 segundo para avance o retroceso rápido. La reproducción comienza cuando se libera el botón.

### Repetir (RPT)

Presione el botón **RPT** (15) durante la reproducción del disco para seleccionar "REPEAT SONG" y repetir continuamente la canción seleccionada.

Presione **RPT** dos veces para seleccionar “RPT ALBM” y repetir continuamente todo el álbum/carpeta.

Presione **RPT** por tercera vez para seleccionar “RPT OFF” y detener la función repetir.

### **Aleatorio (RDM)**

Presione el botón **RDM** (16) para seleccionar “RDM ALL” y reproducir aleatoriamente los archivos en todas las carpetas.

Presione el botón **RDM** (16) nuevamente para seleccionar “RDM ALBM” y reproducir aleatoriamente los archivos en el álbum (carpeta) actual.

Presione **RDM** por tercera vez para seleccionar “RDM OFF” y detener la función aleatoria.

### **Modo Búsqueda de Categoría**

1. Durante el modo reproducción de iPod, presione el botón **SEARCH** (5) para ingresar al modo Búsqueda de Categoría de iPod.
2. presione el codificador giratorio (4) para acceder a las categorías en el siguiente orden:
  - Lista de Reproducción
  - Podcast
  - Artista
  - Álbum
  - Género
  - Canción
  - Compositor
3. Después de seleccionar la categoría deseada, presione el codificador giratorio (4) dentro de los 5 segundos para confirmar.
4. Gire el codificador giratorio (4) para navegar por canciones o carpetas en la categoría actual.
5. Presione el codificador giratorio dentro de los 5 segundos para seleccionar una categoría/canción.
6. Repita los pasos 4 y 5 hasta que se muestre la canción deseada.

## Cuidado y Mantenimiento

### Reproductor de CD

Las siguientes guías le ayudarán a extender la vida de su reproductor de CD:

1. Cuando limpia el interior del vehículo, no aplique agua o fluidos de limpieza en la unidad.
  2. El reproductor de CD podría no funcionar adecuadamente en calor o frío extremo o bajo condiciones de humedad. En caso de estas condiciones, espere a que el interior del vehículo alcance una temperatura normal o cualquier condensación en los lentes del reproductor de disco se haya evaporado antes de usar el reproductor.
  3. Nunca inserte otra cosa que CDs redondos de 5" dentro del reproductor. El intentar insertar CDs de otros tamaños (incluso con adaptador) causará daños no cubiertos por la garantía.
  4. Siempre quite el CD cuando el reproductor no está en uso.
  5. La unidad está diseñada con un mecanismo atenuador de vibraciones de CD para minimizar la interrupción de la reproducción del disco debido a la vibración normal de un vehículo en movimiento. Sin embargo, podrían producirse saltos de sonido ocasionales cuando maneja en rutas muy rudas. Esto no romperá o dañará el disco, y la reproducción normal se reanudará cuando cesen las condiciones rudas.
1. Limpie cuidadosamente las impresiones digitales, polvo y suciedad de la superficie de reproducción del disco con un paño suave. Limpie con movimientos rectos desde el interior al exterior del disco.
  2. Nunca use químicos como sprays o limpiadores hogareños para limpiar CDs, dado que pueden dañar irreparablemente la superficie del disco.
  3. Los discos deberían mantenerse en sus cajas de almacenamiento cuando no están en uso.
  4. No exponga los discos a la luz directa del sol, altas temperaturas o alta humedad por largos períodos.
  5. **No pegue papel, cinta o etiquetas de CD en las superficies del disco, dado que podrían producir daños internos.**

### Discos Compactos

#### Capacidad CD-R y CD-RW

Dependiendo del tipo de medio y método de "grabación", algunos CD-R/RWs podrían ser incompatibles con esta unidad. Después de la "grabación", la sesión debe cerrarse. Por favor refiérase a los procedimientos recomendados por su software para cerrar un disco/sesión. Revise su software de grabación para familiarizarse con los procedimientos correctos de "grabación". Recomendamos la última versión del software de grabación ROXIO™ o NERO™.

Además, **esta unidad sólo reconocerá CDDA (Disco Compacto de Audio Digital), formatos .MP3 y .WMA "grabados" sobre un CD-R/RW. Esta unidad no soporta .WAV, .OGG u otros formatos.**

#### Cuidado y Manipulación de CD

La suciedad, polvo, rayones y ondulaciones pueden producir saltos en la reproducción y deterioro de la calidad de sonido. Por favor siga estas guías para cuidar sus discos compactos.

## Resolución de Problemas

Problema	Causa	Acción Correctiva
No funciona (la pantalla no enciende)	Sin energía en el cable amarillo; sin energía en el cable rojo	Verifique la conexión con una lámpara de prueba; verifique el fusible del vehículo con una lámpara de pruebas
	Fusible quemado	Reemplace el fusible
	Panel frontal no instalado correctamente	Reinstalar panel frontal
Sin energía en la Unidad	Fusible quemado	Verificar/Reemplazar fusible
No todos los parlantes funcionan	Empalmes o Conexiones Incorrectos	Verificar todos los empalmes y conexiones
	Cables de parlantes en corto a tierra del chasis o a algún otro parlante	Verificar empalmes, aislar todos los cables desnudos
Fusibles quemados	Cable de energía en corto a tierra	Asegúrese que los cables no están pellizcados
	Cables de parlante en corto a tierra	Asegúrese que los cables no están pellizcados
	Fusible Incorrecto/fusible muy pequeño	Instale un fusible con la especificación correcta
El CD salta demasiado	Montaje del receptor no es sólido o la tira trasera no está asegurada	Verifique el montaje y la tira trasera, ajuste si es necesario
	Ángulos de instalación mayor a 30%	Ajustar ángulo a menos de 30%
ERROR 1	Error de mecanismo	Presione el botón reset
Sin Archivo	Se encontraron archivos no soportados en el disco/tarjeta	Inserte un disco/tarjeta distinto con el tipo de archivos apropiados
Error de Disco	Disco sucio, rayado, cara superior hacia abajo	Reemplazar con un disco limpio y correctamente instalado

# Especificaciones



### Calificaciones de Potencia CEA

Potencia de salida . . . . . 13 Watts RMS x 4 canales sobre 4-Ohms @  $\leq 1\%$  THD+N  
 Nivel Señal Ruido . . . . . 70dBA bajo referencia (Referencia: 1 Watt, 4-Ohms)  
 Respuesta de frecuencia . . . 20 Hz - 20 kHz, -3dB. Entrada Aux. usada como referencia de entrada)  
 Voltaje de Alimentación de Referencia . . . . . 14.4VDC

### Reproductor de CD

Medio de Disco Compatible . . . . . CD-R/RW  
 Formatos de Disco Compatibles . . . . . CD-DA, MP3, WMA  
 Relación Señal Ruido @ 1 KHz . . . . . >90dB  
 Respuesta de Frecuencia . . . . . 20Hz a 20 kHz, -3dB  
 Separación de Canal. . . . . > 60dB @ 1 kHz  
 Convertidor D/A. . . . . 1bit/canal

### Sintonizador FM

Rango de Sintonía . . . . . 87,5MHz - 107,9MHz  
 Sensibilidad Mono (-30dB) . . . . . 10dBuV  
 Sensibilidad Acallado (-50dB) . . . . . 15dBuV  
 Relación Señal Ruido @ 1 KHz . . . . . 58dB  
 Separación Estéreo @ 1 kHz . . . . . >30dB  
 Respuesta de Frecuencia . . . . . 30Hz a -12 kHz, -3dB

### Sintonizador AM

Rango de Sintonía . . . . . 530 kHz - 1710 kHz  
 Sensibilidad (-20dB) . . . . . 15uV  
 Relación Señal Ruido @ 1 KHz . . . . . 50dB  
 Respuesta de Frecuencia . . . . . 100Hz - 2kHz, -3dB

### Entrada Auxiliar

Sensibilidad de Entrada . . . . . 400mV RMS para 1 watt RMS sobre 4-ohms  
 Respuesta de Frecuencia . . . . . 20Hz a 20kHz, -3dB  
 Impedancia de entrada . . . . . 10k ohms

### General

Alimentación . . . . . 11 a 16VDC, negativo a tierra  
 Energía de Antena (Azul) . . . . . 500mA máx., protección limitada de corriente  
 Temperatura de Funcionamiento. . . . . -20C ~ 65C  
 Fusible. . . . . 15-amp, Tipo ATO  
 Dimensiones de chasis DIN . . . . . 7" X 7" X 2" (178mm x 178mm x 50mm)

Especificaciones sujetas a cambio sin aviso.



## Introduction

Félicitation d'avoir acheté un récepteur portatif Jensen HD5313. C'est une bonne idée de lire toutes les instructions avant de commencer l'installation. Nous recommandons que vous fassiez installer votre Jensen HD5313 par une boutique d'installation de bonne réputation.

## Caractéristiques

- \*HD Radio™ w/ iTunes Tagging – Enregistrez Information sur la Chanson de la plupart des stations radios FM, Tampon mémoire de 50 chansons, Transfère l'Information sur la Chanson à iPod.
- Interface de Connexion Directe à Haute Vitesse iPod via USB pour des listes d'écoute, des artistes, des albums et des chansons. Gestion de Puissance charge l'iPod quand l'unité est en mode d'iPod.
- Fente pour carte SD – Support pour Média 8GB (Derrière le Panneau avant)
- Entrée auxiliaire panneau avant et USB - Soutient la plupart des dispositifs à mémoire flash
- 5 courbes EQ sélectionnables – POP, JAZZ, CLAS, BEAT, ROCK
- Sorties de ligne RCA Avant; Arrière et sous.
- Affichage aux cristaux liquides noir STN (LCD) avec rétroéclairage DEL bleu

\*HD Radio™ Technology Fabriqué sous Licence d'iBiquity Digital Corporation. Des brevets Etats-Unis et étrangers. Les logos HD Radio™ et le HD et HD RADio sont les marques déposées propriétaires d'iBiquity Digital Corporation.

## Precautions

**A NOTER : Si le HD5313 est à installer dans une voiture qui a un lecteur à bord ou un ordinateur de navigation, ne débranchez pas le câble de la pile. Si le câble est débranché, la mémoire de l'ordinateur peut être perdue. Dans ces conditions, soyez prudent pendant l'installation pour éviter de causer un court-circuit. I**

**AVERTISSEMENT! Ne branchez l'appareil qu'à une alimentation de 12 volts avec une bonne terre.**

**AVERTISSEMENT! N'installez jamais cet appareil là où l'opération et le visionnement peuvent interférer avec la sécurité de conduite.**

**AVERTISSEMENT! Ne démontez ni n'ajustez jamais l'appareil.**

**AVERTISSEMENT! Evitez d'installer l'appareil là où il sera soumis à des températures excessives, telles que du rayon de soleil directe ou de l'air chaud d'un réchaud, ou bien là où il sera soumis à de la poussière, de la saleté ou de la vibration excessives.**

**AVERTISSEMENT! Pour éviter l'endommagement à cause du choc ou du feu, n'exposez jamais cet appareil à l'humidité ou à l'eau.**


**AVERTISSEMENT! N'utilisez jamais des disques irréguliers.**

**AVERTISSEMENT! L'utilisation d'un fusible incorrect peut endommager l'appareil ou résulter en une incendie.**

## Aide Technique


Si vous avez besoin d'aide technique, contactez Soutien Technique à 1-800-323-4815 de 9:00am à 6:00pm EST lundi à vendredi.

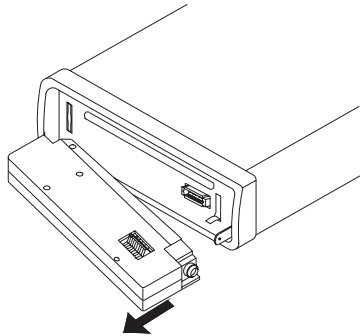
## Relâchement du panneau avant

Le bouton  (ouvrir) (9) relâche le mécanisme qui lie le panneau avant au châssis.

## Détachement du panneau avant

Pour détacher le panneau avant :

1. Pressez le bouton puissance (1) pour éteindre l'appareil.
2. Pressez le bouton  (9) et permettez au panneau avant de se plier.
3. Tirez pour relâcher le côté droite du panneau.
4. Tirez sur le côté gauche du panneau pour l'enlever.



- Ne touchez pas les contacts sur le panneau avant ou sur la surface de l'appareil principal. Cela peut donner un contact électrique faible. Enlevez toute poussière ou des substances étrangères avec un tissu propre et sec.
- N'exposez pas le panneau avant à des températures élevées ou au rayon de soleil direct.
- Gardez tous les agents volatiles (par exemple, le benzène, le diluant, des insecticides) contre tout contact avec le panneau avant.
- N'essayez pas de démonter le panneau avant.

5. Après avoir enlevé le panneau avant, mettez-le dans l'étui fourni et prenez-le avec vous lorsque vous quittez la voiture.

## Rattachement du panneau avant

Pour rattacher le panneau avant; assurez-vous que les bornes électriques sur le dos du panneau sont libres de poussière et de saleté puisque le débris peut provoquer des opérations intermittentes ou d'autres malfunctions. Positionnez le côté droite du panneau en place jusqu'à ce qu'il soit correctement engagé, et puis pressez légèrement le côté gauche du panneau jusqu'à ce que le mécanisme se verrouille en place.

## Précautions lorsque vous manipulez le panneau avant

- Ne laissez pas tomber le panneau avant.
- Ne mettez pas de pression sur l'affichage ou les boutons de commandes lorsque vous détachez et réinstallez le panneau avant.

## Opération

### Puissance

Pressez le bouton  $\phi$  (puissance) (1) ou tout autres boutons sur l'avant de la radio (sauf relâchement) pour allumer l'appareil. Pressez le bouton d'alimentation pour éteindre l'appareil.

### Affichage aux cristaux liquides (LCD)

Le panneau d'affichage aux cristaux liquides (8) affiche la fréquence, le temps et les fonctions activées de l'appareil, y compris un indicateur de disque, qui apparaît illuminé lorsqu'un disque est inséré.

**A NOTER : Des panneaux d'affichage aux cristaux liquides peuvent prendre du temps à répondre lorsqu'ils sont soumis à des températures froides pour une période longue. En outre, la visibilité des numéros sur l'affichage aux cristaux liquides peut diminuer légèrement. L'affichage aux cristaux liquides reviendra au normal lorsque la température augmente jusqu'à redevenir normal.**

### Mode

Pressez **SRC** (2) pour sélectionner un mode d'opération différente comme indiqué sur le panneau d'affichage. Des modes disponibles comprennent HD RADIO/TUNER (FM1, FM2, FM3, AM1, AM2), CD, USB, SD CARD, iPod (si branché) et AUX (auxiliaire).

**A NOTER : Des modes CD, USB, SD CARD et iPod ne sont disponibles que si le dispositif ou la média associé est inséré.**

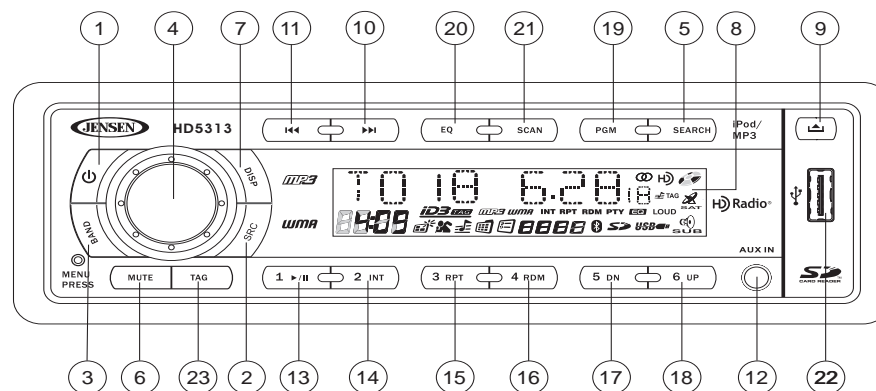
### Audio Mute

Pressez le bouton **MUTE** (6) pour assourdir le volume audio. « MUTE » clignote dans l'affichage. Pressez un bouton quelconque pour annuler MUTE.

### Volume / Commande Audio

Pour augmenter le volume, faites tourner l'enclumeur à rotation (4) dans le sens des aiguilles d'une montre. Pour diminuer le volume, tournez l'enclumeur à rotation contre le sens des aiguilles d'une montre. Lorsque le volume est ajusté le niveau de volume sera montré sur le panneau d'affichage comme un numéro allant de « VOL 00 » (le plus bas) à « VOL 100 » (le plus haut).

Pressez l'enclumeur à rotation plusieurs fois de suite pour traverser l'audio suivant : VOLUME, BASS, TREBLE, BALANCE, FADER et SUB W. L'appareil quitte automatiquement le mode de commande audio au bout de cinq secondes sans activité.



### BASS

Pour ajuster le niveau de basse de « -10 » to « 10 », pressez l'enclumeur à rotation jusqu'à ce que « BAS » apparaisse sur l'affichage. Tournez la commande dans le sens des aiguilles d'une montre pour augmenter et contre le sens des aiguilles d'une montre pour diminuer le basse. « 00 » représente une réponse plate.

### AIGU

Pour ajuster le niveau d'aigu de « -10 » à « 10 », pressez l'enclumeur à rotation jusqu'à ce que « TRB » apparaisse dans l'affichage. Tournez la commande dans le sens des aiguilles d'une montre pour augmenter et contre le sens des aiguilles d'une montre pour diminuer l'aigu. « 00 » représente une réponse plate.

### BALANCE

Pour ajuster la balance de « 10L » (complètement à gauche) à « 10R » (complètement à droite), pressez l'enclumeur à rotation jusqu'à ce que « BAL » apparaisse dans l'affichage. Tournez la commande pour ajuster la balance entre les hauts parleurs de gauche et de droite. « L=R » représente une balance centrée.

## N EQUILIBREUR

Pour ajuster l'équilibreur de « 10F » (complètement à l'avant) à « 10R » (complètement à l'arrière), pressez l'enclencheur à rotation jusqu'à ce que « FAD » apparaisse dans l'affichage. Tournez la commande pour ajuster l'équilibreur entre les hauts parleurs d'avant et d'arrière. « F=R » représente un équilibre égal entre les hauts parleurs d'avant et d'arrière.

## SUBW

Pour allumer et éteindre le caisson de basse pressez l'enclencheur à rotation jusqu'à ce que « SUBW » apparaisse dans l'affichage. Tournez la commande pour choisir « ON » ou « OFF ». « OFF » est le réglage par défaut.

## Menu Opération

Pressez et maintenez l'appui sur l'enclencheur à rotation (4) pour accéder au menu système. Pressez le bouton d'enclencheur à rotation plusieurs fois de suite pour accéder aux choix de menu dans l'ordre suivant :

- BEEP ON/OFF : La tonalité bip permet la sélection d'une tonalité bip audible qui sera entendue chaque fois qu'un bouton est pressé sur la face de la radio. « BEEP ON » est l'affichage par défaut. Tournez l'enclencheur à rotation pour sélectionner la choix « BEEP OFF ».
- P--VOL : Tournez l'enclencheur à rotation pour sélectionner le volume par défaut de la radio lorsqu'elle est allumée.
- PCLK ON/OFF : Lorsqu'il est « ON », l'horloge et le rétroéclairage restera allumé lorsque l'appareil est éteint.
- HEURES 12/24 : Cette choix permet la sélection d'un format d'horloge à 12 heures ou à 24 heures. « HOURS 12 » est le réglage par défaut. Tournez l'enclencheur à rotation pour changer au format d'horloge à 24 heures.
- GRADATEUR : Tournez l'enclencheur à rotation pour changer la luminosité du rétroéclairage de l'affichage aux cristaux liquides de HIGH (par défaut) à MIDDLE et à LOW.
- LOCAL/DX (distant) : Si le signal stéréo est intermittent, vous pouvez sélectionner « LOCAL » pour accéder aux stations locales fortes. « DX » est le réglage par défaut.

## Egaliseur

Pressez le bouton **EQ** (20) pour choisir entre les courbes de basse et d'aigu prédéfinies suivantes : POP > JAZZ > CLAS > BEAT > ROCK > OFF.

## Intensité

Pressez et maintenez l'appui sur le bouton **BAND** (3) pour basculer entre intensité allumée/éteinte. Lorsque vous écoutez à la musique à des volumes bas, cette fonction augmentera les gammes de basse et d'aigu pour compenser les caractéristiques de l'ouïe humaine.

## Entrée auxiliaire

Pour accéder à un dispositif auxiliaire :

1. Branchez le lecteur audio portatif au jack AUX IN sur le panneau avant (12).
2. Pressez le bouton **SRC** (2) pour sélectionner le mode AUX.
3. Pressez **SRC** de nouveau pour annuler le mode AUX et aller au mode prochain.

## Règlement de l'horloge

S'il n'est pas déjà montré, pressez le bouton **DISP** (7) pour afficher l'horloge. Avec l'horloge affiché, pressez et maintenez l'appui sur le bouton **DISP** et l'heure clignotera sur l'affichage. Pressez le bouton **>>|** (10) pour ajuster les heures ou le bouton **|<<** (11) pour ajuster les minutes. Lorsqu'il est dans le mode « HOURS 12 », « AM » ou « PM » apparaîtra pour indiquer AM ou PM. Lorsqu'aucun ajustement n'est fait pendant cinq secondes l'heure sera réglée et l'opération normale reprendra.

## Bouton de réinitialisation

Le bouton de réinitialisation est situé derrière le panneau avant doit être activé pour des raisons suivantes :

- installation initiale de l'appareil lorsque le câblage est terminé
- les boutons fonctions ne fonctionnent pas
- symbole d'erreur sur l'affichage

Utilisez une bille ou un objet métallique mince pour presser le bouton **RESET**. Ceci peut être nécessaire au cas où l'appareil afficherait un code d'erreur.

## Opération Tuner

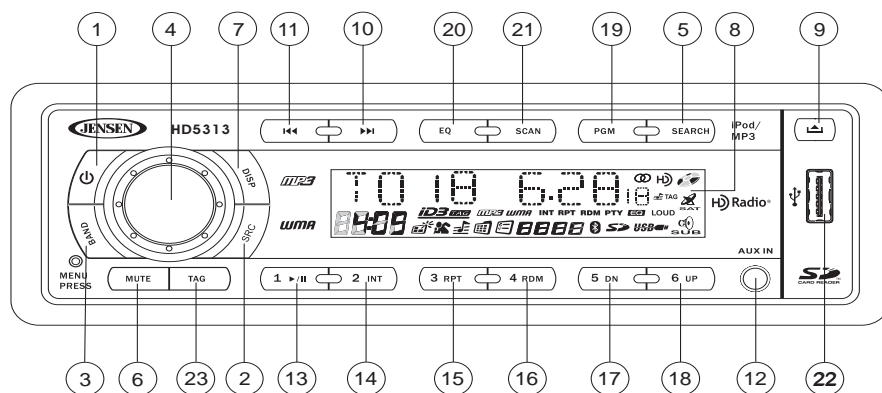
Pressez le bouton **SRC** (2) pour aller au mode HD Radio.

### Au sujet de la Technologie HD Radio™

La technologie HD Radio permet des émissions de qualité CD numérique de vos stations de radio FM et AM locales. Des émissions HD Radio peuvent comprendre des canaux multiples sur la même fréquence, ce qui s'appelle le multidiffusion. Avec la multidiffusion vous pouvez recevoir jusqu'à trois canaux supplémentaire multidiffusés : HD2, HD3, HD4. avec votre radio HD5313 vous recevrez automatiquement des émissions numériques HD Radio lorsque vous syntonisez à une station qui offre de la technologie HD Radio.

### Sélectionner une bande

Pressez le bouton **BAND** (3) pour changer entre les trois bandes FM et deux bandes AM. Chaque bande met en mémoire jusqu'à six stations pré-réglées.



### Syntonisation

Lorsque vous syntonisez à un canal HD Radio, « LINKING » peut apparaître sur l'affichage aux cristaux liquides alors que l'information numérique initiale est reçue. Lié, « Hd1 » apparaît au centre en bas de l'affichage aux cristaux liquides.

**A NOTER : Toutes les stations FM ou AM n'offrent pas d'émissions (numériques) HD Radio. Vous recevrez et des stations analogues et numériques avec le HD5313.**

### Syntonisation à la main

Pressez le bouton **>>|** (10) ou **|<<** (11) pour plus de trois secondes pour entrer dans le mode de syntonisation à la main, et puis pressez les boutons **>>|** ou **|<<** pour aller à une fréquence de radio vers le haut ou vers le bas.

### Syntonisation auto-recherche

Pressez le bouton **>>|** (10) ou **|<<** (11) pour chercher automatiquement la station prochaine.

### Canaux multidiffusés HD Radio

Pour syntoniser à un canal multidiffusé HD Radio, syntonisez au signal principal et puis pressez le bouton **PGM** (19). Si un sous-canal est disponible, le numéro de multidiffusions correspondante apparaît au coin gauche en bas de l'affichage aux cristaux liquides.

### Réception analogique/numérique

Pressez et maintenez le bouton **PGM** pour changer entre "Auto", "Numérique" and "Analogique". Lorsqu'elle est réglée à « AUTO », la station sera reçue d'abord en analogique mais changera au Numérique lorsque le signal numérique est détecté et l'icône HD s'illuminera. Si le signal numérique n'est pas disponible l'appareil reviendra à la réception analogique. Dans le mode « Auto » ou « Numérique », l'icône HD clignote jusqu'à ce qu'un signal digital soit reçu et reste illuminé pendant la réception numérique HD Radio.

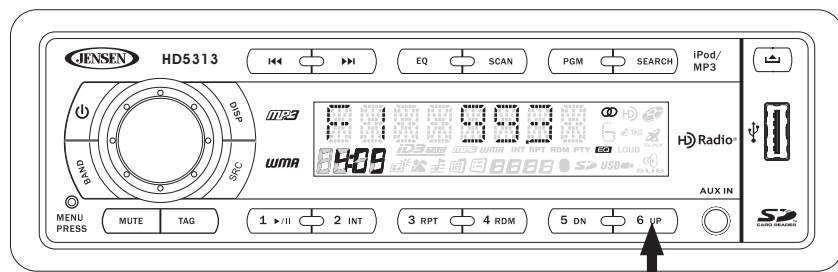
**A NOTER : Des signaux numérique ne sont pas aussi forts que les signaux analogiques traditionnels. Lorsque vous êtes syntonisé à une station numérique HD Radio, le signal commencera à diminuer dans des régions rurales. Dans ce cas, changement à la syntonisation analogique éliminera des questions de gradations. Néanmoins; vous ne recevrez pas des stations multidiffusées HD Radio ou numériques dans le mode analogique.**

## Stations Préréglées

Six boutons préréglés numérotés mettent en mémoire et rappelle des stations pour chaque bande.

### Mise en mémoire d'une station

Sélectionnez une bande (si nécessaire) et puis sélectionnez une station. Pressez un bouton préréglé (13-18) pendant trois secondes. Le numéro préréglé apparaîtra dans l'affichage.



Pressez et maintenez

Numéro préréglé apparaît



**A NOTER : Des canaux multidiffusé HD Radio peuvent être mis en mémoire comme des stations préréglées.**

### Rappel d'une station

Sélectionnez une bande (si nécessaire). Pressez un bouton préréglé (13-18) pour sélectionner la station mise en mémoire correspondante.

### Scan

Pressez le bouton **SCAN** (21) pour scanner la bande AM ou FM actuelle. L'appareil s'arrêtera pendant 5 secondes à chaque station. Pressez le bouton **SCAN** de nouveau pour arrêter le scan lorsque la station désirée est atteinte.

## Information sur l'émission

Pendant la diffusion HD Radio, l'information sur l'émission disponible sera automatiquement affichée sur l'affichage aux cristaux liquides. Pressez le bouton **DISP** (7) plusieurs fois de suite pour voir l'information sur l'émission dans l'ordre suivant :

- Bande/Fréquence
- Indicatif de station
- Chanson
- Artiste
- Catégorie RDS

L'information se déroulera à travers l'écran si elle contient plus de 8 caractères.

**A NOTER : La quantité d'information affichée lors de la réception d'un signal HD Radio dépend de ce qui est émis. Certaines stations émettent leurs indicatifs (nom), le nom de l'artiste, le titre de la chanson et la catégorie de musique.**

## Repérages iTunes®

Le HD5313 offre le Repérage iTunes ce qui permet à l'utilisateur de repérer des chansons reproduites sur des stations HD Radio pour achat ultérieur par iTunes. Lorsque le bouton **TAG** (23) est pressé, l'appareil met le titre et l'artiste en mémoire ce qui peut être transféré à votre iPod lorsqu'il est branché à un connecteur USB. Une liste appelé « Tagged » apparaîtra dans iTunes vous donnant le choix d'acheter les chansons repérées.

### Compatibilité iPod

Des modèles soutenus mais non limités à, comprennent le suivant :

- iPod Nano 4G
- iPod Classic
- iPod Touch
- iPod Nano 3G

### Repérage de la musique

Pour commencer à repérer la musique, syntonisez à une station HD Radio. L'icône « TAG » doit être illuminée indiquant qu'une station numérique est en train d'être reçue. Pressez le bouton **TAG**. L'information sur la chanson est enregistrée à la mémoire de l'installation de tête jusqu'à ce qu'un iPod soit branché. Lorsque le repérage est réussi, l'écran affiche « TAG SENT ». Vous pouvez repérer jusqu'à 50 chansons avant de

transférer à un iPod ou d'être effacés. Lorsque la mémoire de repérage atteint sa limite (50 chansons) l'écran affiche « STORED FULL ».

**Table 1: Messages TAG**

Messages Tag	Raison
TAG NOT AVAILABLE	Assurez-vous que HD Radio est reçue
ALREADY STORED	Chansons a déjà été repérée. Vous ne pouvez pas enregistrer la même chanson deux fois à moins que vous ne la repérez sur une station différente.
IPOD ERR	Erreur iPod. Vérifiez iPod.
TRANSFER FAILED	Erreur d'envoi des repérages à l'iPod. Assurez-vous qu'iPod est en marche et rebranchez jusqu'à ce que « TAG SENT » soit affiché.
THIS IPOD NOT SUPPORT TAG	iPod n'est pas compatible pour repérage. Vérifiez liste des iPods compatibles.
IPOD IS FULL	Pas assez d'espace pour enregistrer des repérages sur iPod
STORED FULL	La mémoire de l'installation de tête est pleine.

**A NOTER : Des repérages enregistrés à votre iPod peuvent être gérés en utilisant le logiciel iTunes, disponible à [www.apple.com/itunes](http://www.apple.com/itunes).**

#### **Téléchargement des repérages à votre iPod**

Pour télécharger des repérages à votre iPod, branchez un iPod au connecteur USB. Tous les repères existants sont transférés automatiquement à l'iPod et effacés de la mémoire de l'installation de tête. Si un iPod est branché lorsqu'une chanson est repérée, le Repérage sera immédiatement transféré à l'iPod.

**A NOTER : En transférant des Repérages à un iPod, l'installation de tête doit rester en mode Radio jusqu'à ce que le message « TAG SENT » soit affiché. Pour acheter les chansons repérées, vous devez synchroniser votre iPod à iTunes et puis cliquer la liste « Tagged » à gauche sur l'écran de logiciel iTunes. Cliquez sur le bouton « view » pour acheter l'information.**

#### **Effacement des repères mises en mémoire sur l'installation de tête**

Pour effacer toutes les repères enregistrées sur l'installation de tête, pressez et maintenez le bouton **TAG** pendant 5 secondes. Lorsque « DEL TAG » apparaît sur l'affichage, poussez l'enchiffreur à rotation pour confirmer l'opération d'effacement de repères. Lorsque toutes les repères ont été effacées, « DEL OK » apparaît sur l'écran.

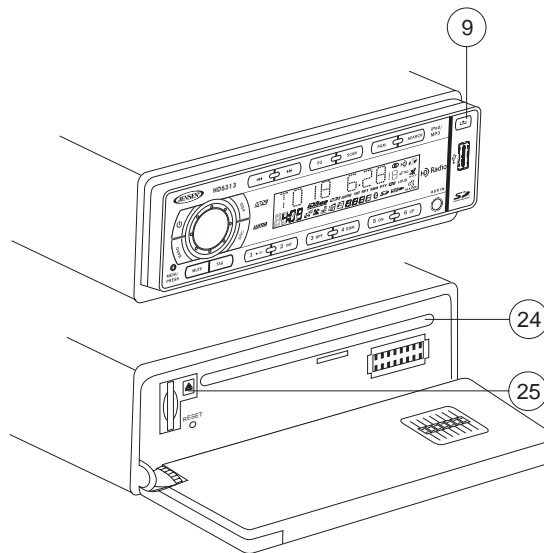


## Opération lecteur CD

Le mode CD ne peut être accédé que lorsqu'un disque est inséré. Si un disque est déjà inséré, pressez le bouton **SRC** (2) pour accéder au mode CD et commencer automatiquement la reproduction.

### Insérer un CD

Pressez le bouton (9) et permettez au panneau avant de se plier pour montrer la fente du disque. Avec la surface étiquette en haut insérer le disque dans la fente jusqu'à ce que le mécanisme s'engage et tire le disque vers l'intérieur. Après avoir inséré le disque, lever le panneau avant pour le retourner à la position fermée et commencer à reproduire le disque.



### Ejecter le CD

Pour éjecter un disque, pressez d'abord le bouton (9) et permettez au panneau avant de se plier pour montrer la fente du disque (24).

Pressez le bouton d'éjection (25) situé à gauche du disque pour éjecter le disque. Si le disque n'est pas enlevé de l'appareil dans 15 secondes, le disque sera rechargé pour éviter un endommagement accidentel.

**A NOTER : L'appareil est conçu pour jouer des disques compact de taille standardisée de 5" (12cm) uniquement. N'essayez pas d'utiliser des CDs simples de 3" (8cm), soit avec ou sans un adaptateur comme cela peut endommager le lecteur et/ou le disque. Un tel endommagement ne sera pas couvert par la garantie sur ce produit.**

### Pause

Pressez le bouton (13) pour suspendre la reproduction du disque. Pressez le bouton de reproduction/suspension de nouveau pour reprendre la reproduction du disque.

### Sélection de piste

Pressez les boutons (10) ou (11) pendant moins d'une seconde pour avancer jusqu'à la prochaine piste sur le CD. Le numéro de la piste sélectionnée apparaîtra dans l'affichage. Pressez et maintenez le bouton (10) ou (11) pendant plus d'une seconde pour faire avance ou recul rapide. La reproduction du CD commence lorsque ce bouton est relâché.

### Intro Scan (INT)

Pendant la reproduction du disque, pressez **2/INT** (14) pour jouer les dix premières secondes de chaque piste sur le disque. Lorsqu'on arrive à la piste désirée, pressez **2/INT** de nouveau pour terminer le scan et jouer la piste sélectionnée.

### Répéter (RPT)

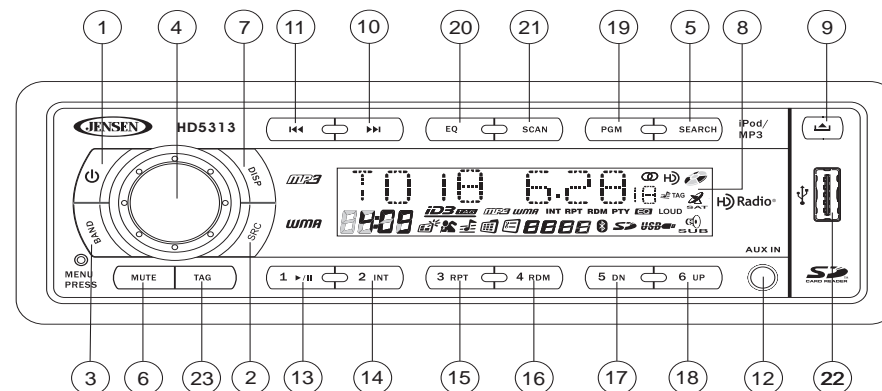
Pressez **3/RPT** (15) pendant la reproduction du disque pour répéter de manière continue la piste. Pressez **3/RPT** de nouveau pour arrêter la répétition.

### Hasard (RDM)

Pressez **4/RDM** (16) pendant la reproduction du disque pour jouer toutes les pistes sur un CD dans un ordre mélangé au hasard. Pressez **4/RDM** de nouveau pour arrêter la reproduction au hasard.

### Afficher l'information ID3 Tag

Pressez le bouton **DISP** (7) pour afficher tout texte enchiffré sur le CD (titre de chanson, artiste, etc).





## Codes d'erreur du lecteur CD

Si un problème advient lorsqu'on opère un lecteur CD, l'une des codes d'erreur suivants peut apparaître sur le panneau d'affichage :

- ERROR-1 : Erreur mécanique (insérer disque/éjecter disque)
- ERROR-2 : Erreur disque servo
- ERROR-3 : Erreur DSP servo
- ERROR-4 : ErreurUSB
- NO FILE : La source média (CD, USB, SD CARD) ne contient aucun fichier média.
- IPOD ERR : Erreur d'authentification iPod ou l'iPod branché n'est pas soutenu
- INVALID : L'action n'est pas applicable (i.e. **5 DN/6 UP** pressé lorsque le disque n'a pas de dossiers).

Au cas où un code d'erreur apparaîtrait, essayez d'éjecter et de recharger le disque ou le dispositif dans le lecteur. Alors que la source média est en dehors de l'appareil, assurez-vous qu'elle est propre et intacte et puis chargez-la correctement. Si cela ne résout pas le problème pressez le bouton de réinitialisation. Cela peut aider mais effacera en même temps l'heure et la mémoire préréglée. Si les mesures suggérées ne résolvent pas le problème, contactez une station de garantie près de vous ou bien contactez le service clientèle à 1-800-323-4815 pour aide.

## Electronic Shock Protection (ESP)

Cet appareil est équipé d'un anti-choc électronique comme suit :

- CD-DA : Environ 10Sec (Mode non-comprimé)  
Environ 34Sec (Mode comprimé)
- MP3 : Environ 20Sec (@44.1KHz/128Kbps)  
Environ 10Sec (@44.1KHz/256Kbps)
- WMA : Environ 22Sec (Peu importe le taux de bits)

## Opération MP3/WMA

Des fichiers musiques MP3 et WMA (Windows Media Audio) sont des fichiers audio numériques qui sont comprimés pour permettre plus de fichiers sur un CD simple. Cet appareil peut jouer MP3/WMA directement depuis des fichiers contenus sur un CD-R/RW, carte SD ou un dispositif USB en utilisant les boutons sur le récepteur comme décrit ci-dessous. Plusieurs types de logiciel sont disponibles pour convertir des fichiers audio en formats MP3/WMA. Jensen recommande *Nero* ou *Roxio Easy CD Creator*. Certains CD-R/RWs peuvent ne pas être compatibles avec cet appareil en fonction du type de média et de la méthode d'enregistrement. Cet appareil soutient la reproduction de MP3/WMA et CDDA (CDA), CDs Mode Mélangé et des CD-Extra (y compris les disques multi-sessions). **Des disques sur lesquels la session n'a pas été fermée ne joueront pas.**

### Notes sur la reproduction MP3/WMA

Cet appareil peut jouer du MP3 (MPEG1, 2, 2.5 Audio Layer 3). Cependant, la média d'enregistrement MP3 et des formats acceptés sont limités. Lorsque vous écrivez du MP3/WMA, faites attention aux restrictions suivantes :

#### Média Acceptable

La média d'enregistrement MP3/WMA qui est acceptable à cet appareil sont CD-ROM, CD-R et CD-RW, cartes SD et des dispositifs USB. Lorsque vous utilisez un CD-RW utilisez un format plein plutôt que le format rapide pour éviter des malfunctions.

#### Formats Medium acceptables

Les formats suivants sont disponibles pour la média utilisée dans cet appareil. Le nombre maximum de caractères utilisé pour le nom de fichier y compris le délimiteur (« . ») et l'extension à trois caractères sont indiqués en parenthèses.

- ISO 9660 Level 1 (11 caractères)
- ISO 9660 Level 2 (31 caractères)
- Joliet (unicode)

Jusqu'à 200 caractères peuvent être affichés dans le format du nom de fichier long. Pour une liste des caractères disponibles voir le mode d'emploi du logiciel d'écriture et la section « Entrer Des Noms de Fichiers et de Dossiers » ce-dessous. La média reproductible sur cet appareil a les limitations suivantes :

- Le nombre maximum de dossiers imbriqués : 8
- Le nombre maximum de fichiers par disque : 999

- Le nombre maximum de dossiers par disque : 255 (256 pour USB/SD)
- Le nombre maximum de fichiers par dispositif média : 9999

MP3/WMA écrits dans des formats autres que ceux donnés ci-dessus ne joueront pas bien et leur nom de fichier ou nom de dossier ne seront pas affichés correctement.

#### Réglages de l'enchiffreur et l'écrivain CD du MP3/WMA

Utilisez les réglages suivants lorsque vous compressez des données audio dans des données MP3 avec l'enchiffreur MP3.

- Taux d'échantillonnage des bits : MP3/WMA : 16~320 Kbps & VBR
- Fréquence d'échantillonnage : MPEG1 : 32/44.1/48 KHz, MPEG2 : 16/22.05/24 KHz, MPEG2.5 : 8/11.025/12 KHz, WMA : 22.05/32/44.1/48 KHz.

Lorsque vous utilisez un écrivain CD pour enregistrer MP3/WMA jusqu'à la capacité maximum du disque, désactivez écriture supplémentaire. Pour enregistrer un disque vide jusqu'à sa capacité maximale en une fois, sélectionnez la choix « disc at once ».

#### Entrez ID3 Tag

Cet appareil soutient des versions ID3 1.0, 1.1, 2.0 et 2.3 (Max 64 bytes).

Pour des codes de caractères; référez-vous au tableau à droite.

#### Entrez des noms de fichiers et de dossiers

Des noms utilisant des caractères de liste de code sont les seuls noms de fichiers et de dossiers qui peuvent être entrés et affichés. Utilisation de tout autre caractère va donner affichage incorrect des noms de fichiers et de dossiers. L'appareil ne reconnaît et joue que des fichiers avec extension MP3/WMA.

	0	1	2	3	4	5	6	7	8	9	A	B	C	D	E	F
0				0	@	P	.	p		■	°	À	Ä	à	ä	đ
1			!	1	A	Q	a	q			±	Á	Å	á	å	ñ
2			"	2	B	R	b	r			²	Â	Ö	â	ö	
3			#	3	C	S	c	s			³	Ã	Ó	ã	ó	
4			\$	4	D	T	d	t			⁴	Ä	Ö	ä	ö	
5			%	5	E	U	e	u			µ	Å	Ö	ä	ö	
6			&	6	F	V	f	v			¶	Æ	Ö	æ	ö	
7			'	7	G	W	g	w			§	Ç	×	ç	±	
8			(	8	H	X	h	x			¸	†	É	Ø	é	ø
9			)	9	I	Y	i	y			©	‡	É	Ü	é	ü
A			*	:	J	Z	j	z			ª	ä	É	Ü	é	ü
B			+	:	K	[	k	{			»	ä	É	Ü	é	ü
C			<	<	L	\	l				¼	ı	Ü	ı	ü	
D			=	=	M	]	m	}			½	ı	Y	ı	y	
E			.	.	N	^	n	~			¾	ı	P	ı	p	
F			/	/	?	_	o	■			¸	ı	B	ı	y	

**A NOTER : Un nom de fichier entré avec des caractères qui ne sont pas sur la liste des codes peut ne pas jouer correctement.**

#### Ecrire des fichiers sur un Médium

Lorsqu'un médium contenant des données MP3/WMA est chargé, l'appareil vérifie toutes les données. Si le médium contient beaucoup de dossiers ou des fichiers non-MP3/WMA, la reproduction MP3/WMA sera retardée, et

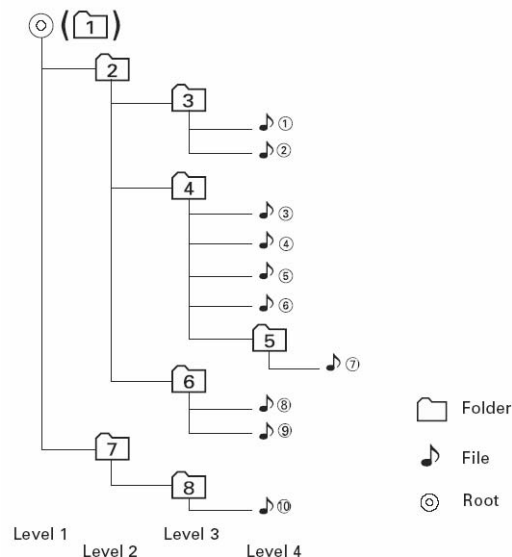
l'appareil peut mettre du temps pour aller au fichier prochain et des recherches peuvent ne pas être exécutées sans heurts ou il peut ne pas jouer du tout. Charger un tel médium peut produire un bruit fort et endommager les hauts parleurs. **Ne tentez pas de jouer un médium contenant un fichier non-MP3/WMA avec l'extension MP3/WMA ou un médium contenant des fichiers MP3/WMA.**

### Débit binaire

Cet appareil soutient des débits binaires de 16 - 320 kbps.

### L'ordre de reproduction des fichiers

Lorsqu'ils sont sélectionnés pour reproduction, des fichiers et des dossiers sont accédés dans l'ordre dans lequel ils ont été écrits par l'écrivain CD. Par conséquent, l'ordre dans lequel ils sont joués peut ne pas correspondre avec l'ordre dans lequel on s'attend à les entendre. Vous pouvez régler l'ordre dans lequel des fichiers MP3/WMA sont joués en les écrivant sur un médium tel qu'un CD-R avec leur nom de fichier commençant avec les numéros de séquence de reproduction tels que « 01 » à « 99 ».



Par exemple, un médium avec l'hierarchie dossier/fichier suivante est soumise à une Recherche Piste ou Fichier comme montré ci-dessous.

### Chargement d'un disque MP3/WMA

Pressez le bouton (9) pour abaisser le panneau avant et puis insérer un disque MP3/WMA. Après l'insertion du disque, le numéro de piste et le temps écoulé apparaîtront après quoi l'affichage va se dérouler à travers toute information ID3 Tag alors que le fichier se reproduit. Si le disque contient des informations ID3 tag, vous pouvez les dérouler en pressant le bouton **DISP** (7). S'il n'y a pas d'information ID3 tag, l'appareil affichera le

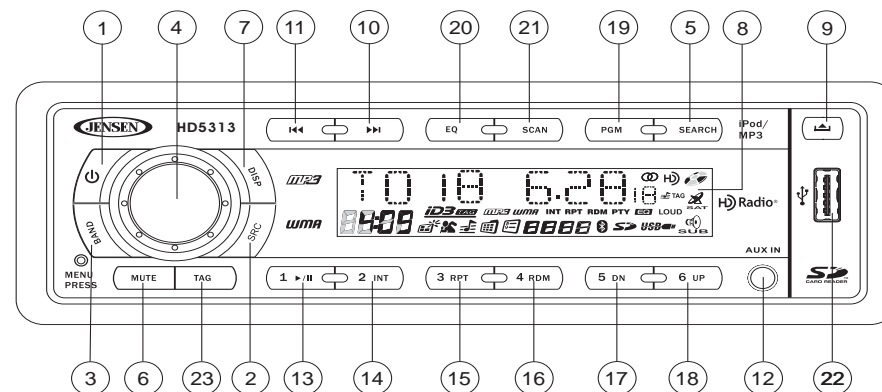
temps écoulé. Lorsque l'information ID3 Tag est disponible, l'affichage alternera entre le nom de la piste et le format/numéro de piste.

### Installation d'un dispositif USB

Insérez votre clé USB dans le port USB (22) sur le devant de la radio. L'appareil se mettra automatiquement à chercher des fichiers MP3 et WMA sur le dispositif et commencer la reproduction. Vous pouvez accéder le mode USB de tout autre mode en pressant le bouton **SRC** (2). « USB » est affiché sur l'affichage aux cristaux liquides. L'icône USB clignote au coin droit en bas de l'affichage lorsqu'un dispositif USB est en train d'être lu et reste illuminé lorsqu'il est inséré.

**A NOTER : Tous les dispositifs USB ne sont pas soutenus par cet appareil. Des cartes mémoire flash USB approuvées par Microsoft sont soutenues.**

**AVERTISSEMENT : N'enlevez pas le dispositif lorsque le mode USB PLAY est actif. Pressez SRC (2) pour changer à un autre mode avant d'enlever le dispositif.**



### Chargement d'une carte SD

Insérez la carte SD avec l'étiquette en face du côté droit dans la fente SD située derrière le panneau avant. Fermez le panneau avant lorsque vous avez fini.

L'appareil lira les fichiers sur la carte automatiquement. L'icône « SD » clignote au coin droit en bas de l'affichage lorsqu'une carte SD est en train d'être lue et reste illuminée lorsque la carte est insérée.

Pour enlever la carte, pressez le bouton **SRC** (2) pour changer à un autre mode et arrêter la reproduction du SD. Pressez sur la carte pour l'éjecter et puis tirez-la dehors. La plupart des cartes ont un bord mince qui facilite l'enlèvement.

## Pause

Pressez le bouton **1/>>||** (13) pour suspendre la reproduction du fichier. Pressez ce bouton de nouveau pour reprendre la reproduction.

## Sélection de piste

Pressez le bouton **>>|** (10) ou **|<<** (11) pour moins d'une seconde pour avancer jusqu'à la piste prochaine, ou pressez et maintenez pour faire avancer ou reculer rapide à travers le disque. La reproduction du disque recommence lorsque le bouton est relâché.

## La navigation des dossiers

Pressez les boutons **5 DN** et **6 UP** (17, 18) pour avancer ou reculer par 10 pistes à la fois. Pressez et maintenez pour aller jusqu'au dossier/répertoire prochain ou précédent.

## Intro Scan (INT)

- Pressez le bouton **INT** (14) pour sélectionner « INT FOLD » et jouer les dix premières secondes de chaque piste dans le dossier actuel.
- Pressez **INT** de nouveau pour sélectionner « INT ON » et jouer les dix premières secondes de chaque piste.
- Lorsque l'on arrive à la piste désirée, pressez **INT** de nouveau pour terminer le scan et jouer la piste sélectionnée.

## Répétition (RPT)

- Pressez le bouton **RPT** (15) pour sélectionner « RPT FOLD » et répéter la reproduction du dossier actuel.
- Pressez **RPT** de nouveau pour sélectionner « RPT ON » et répéter le fichier/piste actuel.
- Pressez **RPT** une troisième fois pour choisir « RPT OFF » et reprendre la reproduction normale.

## Au Hasard (RDM)

- Pressez le bouton **RDM** (16) pour sélectionner « RDM FOLD » et pour jouer au hasard le dossier actuel.
- Pressez **RDM** de nouveau pour sélectionner « RDM ON » et jouer tous les fichiers au hasard.
- Pressez **RDM** une troisième fois pour choisir « RDM OFF » et reprendre la reproduction normale.

## Rechercher Fichier ou Dossier MP3/WMA

L'appareil offre deux méthodes de chercher des fichiers ou des dossiers.

### Recherche Directe par Numéro de Fichier

- Pressez le bouton **SEARCH** (5). L'affichage aux cristaux liquides affichera "TRK 001", vous permettant d'entrer un numéro de piste avec jusqu'à trois chiffres. La troisième position est active (clignotement) lorsque vous pressez le bouton **SEARCH** pour la première fois.
- Tournez l'enchiffreur à rotation (4) pour sélectionner le troisième chiffre du numéro de piste.
- Pressez l'enchiffreur à rotation pour confirmer et aller au deuxième chiffre ou bien pressez et maintenez pour jouer la piste sélectionnée.
- Tournez l'enchiffreur à rotation pour sélectionner le deuxième chiffre du numéro de piste.
- Pressez l'enchiffreur à rotation pour confirmer et aller au premier chiffre, ou bien pressez et maintenez pour jouer la piste sélectionnée.
- Tournez l'enchiffreur à rotation pour sélectionner le premier chiffre du numéro de la piste.
- *Pressez et maintenez* l'enchiffreur à rotation pour confirmer et jouer la piste sélectionnée.

### Recherche par navigation

Pressez le bouton **SEARCH** (5) deux fois. L'affichage aux cristaux liquides affichera "NAVIGATE". Tournez l'enchiffreur à rotation (4) pour naviguer à travers les dossiers et les sous-dossiers sur le disque. Les noms des dossiers seront affichés sur l'affichage aux cristaux liquides. Pressez l'enchiffreur à rotation pour accéder aux sous-dossiers ou fichiers. Tournez l'enchiffreur à rotation pour naviguer et puis pressez l'enchiffreur à rotation pour confirmer et commencer la reproduction du fichier. Pendant la recherche par navigation tournez l'enchiffreur à rotation contre le sens des aiguilles d'une montre pour revenir au niveau du dossier précédent.

## Information de l'affichage

Pressez le bouton **DISP** (7) pour afficher l'horloge ou l'information ID3 disponible, comme suit : titre de chanson, nom du répertoire, nom d'artiste, etc.

## Opération iPod

### Accéder au mode iPod

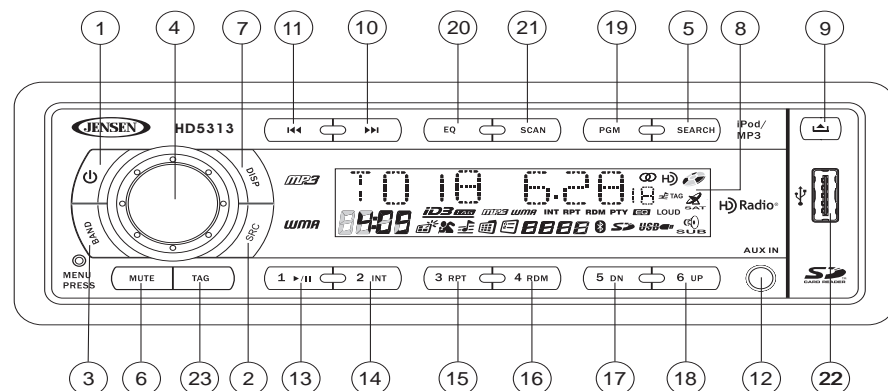
Cet appareil est équipé d'une fonction iPod prête qui vous permet de commander votre iPod (si compatible) en utilisant les boutons de commande sur le panneau avant. Les versions iPod suivantes sont soutenues :

- iPod Nano 4G
- iPod Classic
- iPod Touch
- iPod Nano 3G

**A NOTER :** Pour une connectivité iPod, vous pouvez utiliser le blanc 30 aiguilles à câble iPod USB qui accompagna votre dispositif Apple.

L'appareil changera automatiquement au mode iPod lorsqu'un iPod est branché dans le connecteur USB. Pour revenir au menu iPod de tout autre menu source, pressez le bouton **SRC** (2) sur le panneau avant jusqu'à ce que « IPOD » apparaisse sur l'affichage.

**A NOTER :** Le HD5313 ne sélectionnera pas de fichiers vidéos peu importe si un fichier vidéo était le dernier fichier joué lorsque l'iPod était branché à la radio. Seuls les fichiers musicaux sont soutenus.



### Allumer/Eteindre l'iPod

L'alimentation iPod se met automatiquement en marche lorsque l'iPod est branché au câble iPod à 30 aiguilles, tant que le commutateur d'allumage

est allumé. Vous pouvez éteindre l'iPod en le débranchant du câble iPod ou en éteignant le commutateur d'allumage. Lorsque le commutateur d'allumage est éteint, l'iPod fera pause et puis rentrera dans le mode sommeil au bout de 2 minutes.

**A NOTER :** Quand relié, l'iPod se rechargera sans interruption quand l'unité est en mode d'iPod, tant que le commutateur d'allumage du véhicule est allumé.

### Information affichée

L'information sur la chanson de l'iPod, lorsque disponible, apparaît sur l'écran aux cristaux liquides automatiquement pendant la reproduction. Pressez le bouton **DISP** (7) pour afficher l'information sur la reproduction iPod à la main dans l'ordre suivant :

- Piste/Temps écoulé
- Horloge
- Titre de Chanson
- ARTISTE
- CATEGORIE (nom de l'album)

### Reproduction/Suspension

Pressez le bouton **1/>>||** (13) pour suspendre ou reprendre la reproduction. « PAUSE » clignote sur l'affichage lorsque la reproduction est suspendue.

### Sélection de Piste

#### Sélectionner une Piste

Pressez le bouton **>>|** (10) ou **|<<** (11) pour moins d'une seconde pour avancer jusqu'à la prochaine chanson dans la catégorie actuelle. Lorsqu'une chanson a été jouée pour au moins une seconde pressez **|<<** (11) pour rejouer la chanson dès le début. Lorsqu'une chanson a été jouée pour plus d'une seconde, vous devez presser **|<<** deux fois pour aller au fichier précédent.

#### Avance rapide / Recul rapide

Pressez et maintenez les boutons **>>|** (10) ou **|<<** (11) pour plus d'une seconde pour faire avance ou recul rapides. La reproduction recommence dès que le bouton est relâché.

## Répétition (RPT)

Pressez le bouton **RPT** (15) une fois pendant la reproduction pour sélectionner « REPEAT SONG » répéter continuellement la chanson sélectionnée.

Pressez **RPT DEUX FOIS** pour sélectionner « RPT ALBM » et répéter continuellement l'album/dossier entier.

Pressez **RPT** une troisième fois pour sélectionner « RPT OFF » et arrêter la fonction de répétition.

## Au Hasard (RDM)

Pressez le bouton **RDM** (16) pour sélectionner « RDM ALL » et jouer les fichiers dans tous les dossiers au hasard.

Pressez le bouton **RDM** de nouveau pour sélectionner « RDM ALBM » et jouer tous les fichiers dans l'album (dossier) actuel au hasard.

Pressez **RDM** une troisième fois pour sélectionner « RDM OFF » et arrêter la fonction de mélange.

## Mode de recherche par catégorie

1. Pendant le mode de reproduction iPod, pressez le bouton **SEARCH** (5) pour entrer dans le mode de recherche par catégorie.
2. Tournez l'enchiffreur à rotation (4) pour accéder aux catégories dans l'ordre suivant :
  - Liste d'écoute
  - Balado
  - Artiste
  - Album
  - Genre
  - Chanson
  - Compositeur
3. Après avoir sélectionné la catégorie désirée, pressez le bouton d'enchiffreur à rotation (4) dans 5 secondes pour confirmer.
4. Tournez l'enchiffreur à rotation (4) pour naviguer les chansons et les dossiers dans la catégorie actuelle.
5. Pressez le bouton d'enchiffreur à rotation dans 5 secondes pour sélectionner une catégorie/chanson.
6. Répéter les étapes 4 et 5 jusqu'à ce que la chanson désirée soit reproduite.

## Soin et Maintenance

### Lecteur CD

Les consignes suivantes vous aideront à prolonger la vie de votre lecteur CD.

1. Ne versez pas d'eau ou de fluides détergentes sur l'appareil lorsque vous nettoyez l'intérieur du véhicule.
2. Le lecteur CD ne fonctionnera pas dans la chaleur ou le froid extrême ou dans des conditions humides. Dans de tels cas, attendez jusqu'à ce que l'intérieur du véhicule atteigne une température normale ou toute condensation sur les lentilles du lecteur du disque s'est évaporée avant d'utiliser le lecteur.
3. N'insérez jamais rien d'autres qu'un disque de 5" dans le lecteur. Tenter d'insérer des disques compacts d'autres tailles (même avec un adaptateur) provoquera des endommagements qui ne sont pas couverts par la garantie.
4. Enlevez toujours le CD lorsque le lecteur n'est pas en utilisation.
5. L'appareil est conçu avec un mécanisme d'amortissement de vibration CD pour minimiser l'interruption de la reproduction du disque à cause de la vibration normale d'un véhicule en mouvement. Cependant des sauts de son occasionnels peuvent survenir lorsque l'on conduit sur des routes rugueuses. Cela n'égratignera ni n'endommagera le disque et la reproduction normale se reprendra lorsque les conditions rugueuses cessent d'opérer.

### Compact Discs

#### *Capacité du CD-R et du CD-RW*

Certains CD-R/RWs peuvent être incompatibles avec cet appareil en fonction du type de média et de la méthode d'enregistrement. Après l'enregistrement la session doit être fermée. Veuillez vous référer aux procédures recommandées de votre logiciel pour fermer une session/un disque. Révisitez votre logiciel d'enregistrement pour vous familiariser avec les bonnes procédures d'enregistrement. Nous recommandons l'utilisation des dernières versions de ROXIO ou NERO.

En outre, cet appareil ne reconnaîtra que des formats **CDDA (Compact Disc Digital Audio), .MP3 and .WMA** enregistrés sur un CD-R/RW. Cet appareil ne soutient pas des formats .WAV, .OGG ou autres.

### *Soin et manipulation du CD*

De la saleté, de la poussière, des égratignures et des voilures peuvent provoquer des sauts dans la reproduction et la détérioration dans la qualité du son. Veuillez suivre ces consignes pour soigner votre disque compact.

1. Essuyez, avec soin, des empreintes digitales, de la poussière et des saletés de la surface du disque avec un tissu doux. Essayez d'un mouvement direct du centre à la périphérie du disque.
2. N'utilisez jamais des produits chimiques tels que des vaporisateur pour disque ou des détergents domestiques pour nettoyer les CDs; comme ils peuvent irréparablement endommagé la surface du disque.
3. Des disques doivent être gardés dans leur étui lorsqu'ils ne sont pas utilisés.
4. N'exposez pas les disques au rayon de soleil direct, à des températures hautes ou l'humidité excessive pendant de longues périodes.
5. **Ne collez pas de papier, de la bande ou des étiquettes du CD sur la surface du disque comme cela peut mener à un endommagement interne.**

## Dépannage

Problème	Cause	Correction
Ne fonctionne pas (affichage ne s'allume pas)	Pas de puissance au fil jaune, pas de puissance au fil rouge	Vérifiez le branchement avec une lumière d'essai dans les deux cas
	Fusible sauté	Remplacez le fusible
	Panneau avant n'est pas bien installé	Réinstallez le panneau avant
Pas de puissance à l'appareil	Fusible sauté	Vérifiez/remplacez le fusible
Tous les hauts parleurs ne fonctionnent pas	Des greffes ou des branchements incorrects	Vérifiez tous les greffes et branchements
	Les fils de haut parleur court-circuités à terre ou les uns aux autres	Vérifiez les greffes et isolez tous les fils dénudés
Des fusibles sautent	Fil d'alimentation court-circuité à terre	Assurez-vous que le fil n'est pas pincé
	Les fils de hauts parleurs court-circuités à terre	Assurez-vous que le fil n'est pas pincé
	Mauvais fusible/fusible trop petit	Installez un fusible avec le bon rating
CD saute trop souvent	Le montage du récepteur n'est pas solide ou le harnais arrière n'est pas bien attaché	Vérifiez le montage et le harnais arrière, serrez s'il le faut
	Angle d'installation plus de 30%	Ajustez l'angle et le ramenez à moins de 30%
ERROR 1	Erreur de mécanisme	Pressez le bouton de réinitialisation
Pas de fichier	Pas de disque soutenu trouvés sur le disque/carte	Insérez un autre disque/carte avec le type de fichier juste
Erreur du disque	Disque sale, égratigné, sens dessus sens dessous	Remplacez par un disque propre bien installé



## Specifications



### Ratings Puissance CEA

Sortie puissance . . . . . 13 Watts RMS x 4 channels into 4-Ohms @  $\leq$  1% THD+N  
 Rapport signal au bruit . . . . . 70dBA below reference (Reference : 1 Watt, 4-Ohms)  
 Réponse en fréquence . . . . . 0 Hz - 20 kHz, -3dB. (Aux Input used as reference input)  
 Voltage de référence . . . . . 14.4VDC

### Lecteur CD

Disque Média Compatible . . . . . CD-R/RW  
 Formats Média Compatibles . . . . . CD-DA, MP3, WMA  
 Rapport signal au bruit @ 1 kHz . . . . . >90dB  
 Réponse en fréquence . . . . . 20Hz to 20 kHz, -3dB  
 Séparation des canaux . . . . . > 60dB @ 1 kHz  
 Adaptateur D/A . . . . . 1bit/channel

### Tuner FM

Gamme de syntonisation . . . . . 87.5MHz - 107.9MHz  
 Sensibilité Mono (-30dB) . . . . . 10dBuV  
 Sensibilité d'assourdissement (-50dB) . . . . . 15dBuV  
 Rapport signal au bruit @ 1 kHz . . . . . 58dB  
 Séparation stéréo @ 1 kHz . . . . . >30dB  
 Réponse en fréquence . . . . . 30Hz - 12kHz, -3dB

### Tuner AM

Gamme de syntonisation . . . . . 530 kHz - 1710 kHz  
 Sensibilité (-20dB) . . . . . 15uV  
 Rapport signal au bruit @ 1 kHz . . . . . 50dB  
 Réponse en fréquence . . . . . 100Hz - 2kHz, -3dB

### Entrée auxiliaire

Sensibilité d'entrée . . . . . 400mV RMS for 1 watt RMS into 4-ohms  
 Réponse en fréquence . . . . . 20Hz to 20kHz, -3dB  
 Impédance d'entrée . . . . . 10k ohms

### Général

Alimentation . . . . . 11 to 16VDC, terre négative  
 Antenne puissance (Bleu) . . . . . 500mA max, protection du courant limitée  
 Température d'opération . . . . . -20C ~ 65C  
 Fusible . . . . . 15-amp, ATO type  
 Dimensions du châssis DIN . . . . . 7" X 7" X 2" (178mm x 178mm x 50mm)

Les spécifications sont susceptibles à modification sans avis préalable.



# Limited Warranty

## CD or Multimedia Radios/Headunits

**DO NOT RETURN THIS PRODUCT TO THE STORE**

**Audiovox Electronics Corporation (“the Company”) is committed to quality and customer service, and are pleased to offer you this Warranty. Please read it thoroughly and contact the Company at 1-800-323-4815 with any questions.**

### **Who is covered?**

The Company extends this warranty to the original retail purchaser of products purchased through an authorized Audiovox retailer in the U.S.A., Puerto Rico or Canada. This warranty is not transferable or assignable. Proof of purchase is required in the form of an original sales receipt.

### **What is covered?**

The Company warrants that should this product or any part thereof, under normal use, be proven defective in material or workmanship within 12 months from the date of original purchase, such defect(s) will be repaired or replaced with a new or reconditioned product (at the Company's option) without charge for parts and repair labor.

### **What is not covered?**

This Warranty *does not* cover the following:

- Damage incurred during shipping or transporting the product to the Company or a service center
- Elimination of car static or motor noise
- Defects in cosmetic, decorative or non-operative structural parts
- Correction of antenna problems
- Costs incurred for installation, removal or reinstallation of the product
- Consequential damage to compact discs, USB devices, digital media cards, accessories or vehicle electrical systems
- Damage caused by improper installation, mishandling, misuse, neglect, accident, blown fuse, battery leakage, theft or improper storage
- Products whose factory serial number/bar code label(s) or markings have been removed or defaced
- Damage resulting from moisture, humidity, excessive temperature, extreme environmental conditions or external natural causes

**Please review the “Care and Maintenance” section of your Installation and Operation Manual for additional information regarding the proper use of your product.**

### **Limitations**

THE EXTENT OF THE COMPANY'S LIABILITY UNDER THIS WARRANTY IS LIMITED TO THE REPAIR OR REPLACEMENT PROVIDED ABOVE AND, IN NO EVENT, SHALL THE COMPANY'S LIABILITY EXCEED THE PURCHASE PRICE PAID BY PURCHASER FOR THE PRODUCT.

This Warranty is in lieu of all other express warranties or liabilities. ANY IMPLIED WARRANTIES, INCLUDING ANY IMPLIED WARRANTY OF MERCHANTABILITY, SHALL BE LIMITED TO THE DURATION OF THIS WRITTEN WARRANTY. ANY ACTION FOR BREACH OF ANY WARRANTY HEREUNDER INCLUDING ANY IMPLIED WARRANTY OF MERCHANTABILITY MUST BE BROUGHT WITHIN A PERIOD OF 24 MONTHS FROM DATE OF ORIGINAL PURCHASE. IN NO CASE SHALL THE COMPANY BE LIABLE FOR ANY CONSEQUENTIAL OR INCIDENTAL DAMAGES FOR BREACH OF THIS OR ANY OTHER WARRANTY, EXPRESS OR IMPLIED, WHATSOEVER. No person or representative is authorized to assume for the Company any liability other than expressed herein in connection with the sale of this product.

Some states do not allow limitations on how long an implied warranty lasts or the exclusion or limitation of incidental or consequential damage so the above limitations or exclusions may not apply to you. This Warranty gives you specific legal rights and you may also have other rights which vary from state to state.

### **Obtaining Warranty Service**

- To obtain repair or replacement within the terms of this Warranty, call 1-800-323-4815 for the location of a warranty station serving your area.
- You must prepay the initial shipping charges to the Company. The Company will pay the return shipping charges for all warranted products returned to an address within the U.S.A., Puerto Rico or Canada.
- Please package the product securely to avoid shipping damage. We recommend using a carrier that provides tracking service to prevent lost packages. Lost or damaged packages are not covered by this warranty.
- Provide a detailed description of the problem(s) for which you require service.

# Garantía Limitada

## Radios del CD o de los Multimedia

## NO RETORNE ESTE PRODUCTO A LA TIENDA

**Audiovox Electronics Corporation (“la Compañía) es una corporación comprometida con la calidad y el servicio al cliente, y se complace en ofrecerle esta Garantía. Por favor, léala completamente y contacte a la Compañía al 1-800-323-4815 por cualquier duda.**

### ¿Quién está cubierto?

La Compañía extiende esta garantía al comprador minorista original de los productos comprados a un distribuidor Audiovox autorizado en USA, Puerto Rico o Canadá. Esta garantía no es transferible o asignable. Se requiere prueba de compra en forma de recibo de venta original.

### ¿Qué está cubierto?

La Compañía garantiza que si este producto o cualquier parte del mismo, bajo uso normal, se prueba que tiene defectos en materiales o mano de obra dentro de los 12 meses desde la fecha de compra original, dichos defectos serán reparados o reemplazados con un producto nuevo o reacondicionado (a opción de la Compañía) sin costos por repuestos o por labor de reparación.

### ¿Qué no está cubierto?

Esta Garantía *no cubre* lo siguiente:

- Daños ocurridos durante el envío o transporte del producto a la Compañía o al centro de servicio
- Eliminación de estática o ruido de motor
- Defectos en cosmética, partes estructurales decorativas o no operativas
- Corrección de problemas de antena
- Costos incurridos por instalación, retiro o reinstalación del producto
- Daños consecuentes a discos compactos, dispositivos USB, tarjetas multimedia digitales, accesorios o sistemas eléctricos del vehículo
- Daños causados por instalación inadecuada, mal manejo o uso, negligencia, accidentes, fusibles quemados, goteras en la batería, robo o almacenamiento inadecuado.
- Productos cuyo número de serie o código de barra de fábrica o sus marcas hayan sido quitados o borrados
- Daños resultantes de la humedad, temperatura excesiva, condiciones medioambientales extremas o causas naturales externas

**Por favor, revea la sección “Cuidados y Mantenimiento” de su Manual de Instalación y Operación para obtener información adicional relacionada al uso adecuado de su producto.**

### Limitaciones

LA EXTENSIÓN DE LA RESPONSABILIDAD DE LA COMPAÑÍA BAJO ESTA GARANTÍA SE LIMITA A LA REPARACIÓN O REEMPLAZO PROVISTO ARRIBA Y, EN NINGÚN CASO, EXCEDERÁ LA RESPONSABILIDAD DE LA COMPAÑÍA EL PRECIO DE COMPRA PAGADO POR EL COMPRADOR DEL PRODUCTO.

Esta Garantía está en lugar de todas las otras garantías o responsabilidades. CUALQUIER GARANTÍAS IMPLICADAS, INCLUYENDO CUALQUIER GARANTÍA IMPLICADA DE MERCANTIBILIDAD, SERÁ LIMITADA A LA DURACIÓN DE ESTA GARANTÍA ESCRITA. CUALQUIER ACCIÓN POR INCLUMPLIMIENTO DE CUALQUIER GARANTÍA AQUÍ ESPECIFICADA INCLUIDA CUALQUIER GARANTÍA IMPLÍCITA DE MERCANTIBILIDAD DEBE SER LLEVADA A CABO DENTRO DE UN PERIODO DE 24 MESES DESDE LA FECHA DE COMPRA ORIGINAL. IN NINGÚN CASO LA COMPAÑÍA SERÁ RESPONSABLE POR NINGÚN DAÑO CONSECUENTE O INCIDENTAL POR INCLUMPLIMIENTO DE ESTA O CUALQUIER OTRA GARANTÍA, EXPRESA O IMPLICADA, DE NINGUNA FORMA. No se autoriza a ninguna persona o representante a asumir por parte de la Compañía ninguna responsabilidad diferente a la aquí expresada en conexión con la venta de este producto.

Algunos estados no permiten limitaciones sobre el tiempo de duración de una garantía implicada o de la exclusión o limitación de daños incidentales o consecuentes, entonces las limitaciones y exclusiones antes mencionadas pueden no aplicarle a usted. Esta Garantía le da derechos legales específicos y usted también puede tener otros derechos que pueden variar de estado en estado.

### Obteniendo el Servicio de Garantía

- Para obtener reparación o reemplazo dentro de los términos de esta Garantía, llame al 1-800-323-4815 por la ubicación de un servicio de garantía en su área.
- Usted debe pagar previamente los costos de envío inicial a la Compañía. La Compañía pagará los costos de envío de retorno de todos los productos en garantía enviados a direcciones dentro de USA, Puerto Rico o Canadá.
- Por favor empaquete el producto de forma segura para evitar daños en el transporte. Recomendamos usar una empresa de transporte que provea servicio de rastreo para prevenir la pérdida de paquetes. Paquetes perdidos o dañados no están cubiertos por esta garantía.
- Provea una descripción detallada del problema o problemas por los cuales usted requiere servicio.

# Garantie Limitée

*Radios CD ou Multimédia / Unités principales*

**NE RENVOYEZ PAS CE PRODUIT AU MAGASIN**

**Audiovox Electronics Corporation (la Société) s'engage à la qualité et au service des clients, et est content de vous offrir cette garantie. Nous vous prions de le lire attentivement et prendre contact avec la Société au 1-800-323-4815 avec des questions.**

## **Qui est couvert ?**

La Société étend cette garantie à l'acheteur d'origine en détail des produits achetés à un détaillant autorisé d'Audiovox aux Etats-Unis, Puerto Rico ou Canada. Cette garantie ne peut pas être transférée ni aliénée. Preuve d'achat est exigé sous forme du récépissé de vente d'origine.

## **Ce qui est couvert ?**

La Société garantit que si ce produit ou une partie de ce produit, sous l'utilisation normale par l'acheteur d'origine, dans des conditions normales, s'avère défectueux en matériel ou en artisanat, dans 12 mois depuis la date d'achat d'origine, de tels défauts seront réparés ou remplacés avec un nouveau produit ou un produit reconditionné (à la seule discrétion de la société) sans frais pour les pièces de rechange ou le travail réparateur.

## **Ce qui n'est pas couvert ?**

Cette garantie *ne* couvre pas le suivant :

- Des dommages survenus lors de la transportation de ce produit à la Société ou à un centre d'entretien.
- Elimination des parasites de voiture ou le bruit du moteur
- Des défauts dans des parties cosmétiques, décoratives ou structurelles non-opératives
- Rectification des problèmes d'antenne
- Le coût de l'installation, de l'enlèvement ou de la réinstallation du produit
- Dommages indirects aux disques compacts, des engins USB, des cartes de média digitales, des accessoires ou le système électrique du véhicule
- Des dégâts survenus à cause de la manipulation mauvaise, l'installation incorrecte, mauvaise utilisation, négligence, des accidents, des fusibles sautés, fuite de la pile, du vol et du stockage incorrect
- Produits soumis à l'enlèvement ou la dégradation du numéro de série d'usine/étiquettes de code à barres ou des marquages.
- Des dégâts survenus à cause de la moisissure, l'humidité, des températures excessives, des conditions environnementales extrêmes ou des causes naturelles externes

**Veillez revoir la section Soins et Entretien de votre Guide d'Opération, pour avoir des informations supplémentaires quant à la bonne utilisation de votre produit.**

## **Limitations**

LA MESURE DE LA RESPONSABILITE DE LA SOCIETE SOUS CETTE GARANTIE EST LIMITEE A LA REPARATION OU REMPLACEMENT MENTIONNES CI-DESSUS ET DANS AUCUN CAS LA RESPONSABILITE DE LA SOCIETE N'EXCEDERA LE PRIX D'ACHAT PAYE PAR L'ACHETEUR POUR CE PRODUIT.

Cette garantie tient lieu de toute autre garantie ou responsabilité expresses. TOUTE GARANTIE IMPLIQUEE, Y COMPRIS UNE GARANTIE IMPLIQUEE DE MARCHANDABILITE, SERA LIMITEE A LA DUREE DE CETTE GARANTIE ECRITE. TOUTE ACTION POUR RUPTURE D'UNE GARANTIE QUELCONQUE SOUS LA PRESENTE, Y COMPRIS TOUTE GARANTIE IMPLIQUEE DE MARCHANDABILITE DOIT ÊTRE PORTEE DANS UNE PERIODE DE 24 MOIS DEPUIS LA DATE D'ACHAT D'ORIGINE. EN AUCUN CAS LA SOCIETE NE SERA RESPONSABLE POUR TOUT DOMMAGE INDIRECT OU ACCESSOIRE POUR RUPTURE DE CETTE GARANTIE OU TOUTE AUTRE GARANTIE, EXPRESSE OU IMPLIQUEE. Aucune personne ni un représentant n'est autorisée d'assumer de la part de la société une responsabilité autre que celle exprimée ici relatif à la vente de ce produit.

Certains états ne permettent pas de limitations sur la durée d'une garantie impliquée ou sur l'exclusion ou la limitation des dommages indirects et accessoires, tels que les informations ci-dessus ne s'appliquent pas à vous. Cette garantie vous donne des droits légaux spécifiques et vous pouvez aussi jouir d'autres droits qui varient d'état à l'état.

## **Obtenir le service de garantie**

- Pour obtenir la réparation ou le remplacement dans les termes de cette garantie, appelez 1-800-323-4815 pour avoir l'emplacement d'une station de garantie qui dessert votre région.
- Si le produit est envoyé pour un service de garantie vous devez payer les frais de transportation de départ. La Société payera la transportation de retour pour tout produit sous garantie si le produit est retourné à une adresse située aux Etats-Unis, Puerto Rico ou Canada.
- Assurez-vous que le produit soit bien emballé pour éviter des accidents pendant la transportation. Nous recommandons un transporteur qui fournit un service de dépistage pour éviter la perte des paquets. Des paquets perdus ou endommagés ne sont pas couverts par cette garantie.
- Fournissez une description détaillée des problèmes que vous voulez faire résoudre par le service de garantie.



Audiovox Electronics Corporation  
Hauppauge, NY 11788  
Technical Assistance: 1-800-323-4815  
[www.jensen.com](http://www.jensen.com)

© 2009 Audiovox  
Ver. 072909  
Printed in China

## Free Manuals Download Website

<http://myh66.com>

<http://usermanuals.us>

<http://www.somanuals.com>

<http://www.4manuals.cc>

<http://www.manual-lib.com>

<http://www.404manual.com>

<http://www.luxmanual.com>

<http://aubethermostatmanual.com>

Golf course search by state

<http://golfingnear.com>

Email search by domain

<http://emailbydomain.com>

Auto manuals search

<http://auto.somanuals.com>

TV manuals search

<http://tv.somanuals.com>