

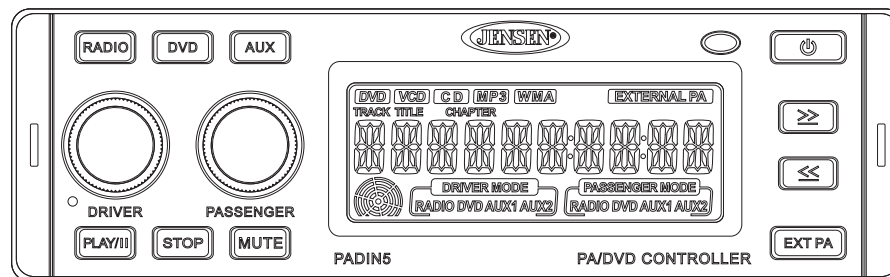


DESIGNED TO MOVE [YOU]

PADIN5

Installation and Operation Manual

Instruction d'installation et d'opération



INTRODUCTION

Thank you for choosing a JENSEN product. We've tried to make the instructions in this owner's manual clear and easy to follow. If you take a few minutes to look through it, you'll learn how to use all of the features of your new JENSEN stereo for maximum enjoyment.

Contents

Precautions	1
Preparation.....	1
Installation	2
Operation.....	5
Troubleshooting.....	7
Specifications	8
Warranty	8

INTRODUCTION

Merci d'avoir choisi un produit Jensen. Nous avons essayé de rendre les instructions dans ce mode d'emploi du propriétaire claires et faciles à suivre. Si vous prenez quelques minutes pour le lire, vous apprendrez comment utiliser toutes les fonctions de votre stéréo JENSEN nouveau pour un plaisir maximal.

Table des matières

Précautions	9
Préparation.....	9
Installation	10
Operation.....	13
Dépannage.....	15
Specifications	16
Garantie.....	16

PRECAUTIONS

- **Use the Proper Power Supply.**
This product is designed to operate with a 12 volt DC, negative ground battery system (the standard system in a North American car).
- **Use Authorized Service Centers.**
Do not attempt to disassemble or adjust this precision product; contact a professional for assistance.
- **Avoid Moisture.**
To reduce the risk of fire or electric shock, do not expose this equipment to rain or moisture.
- **Use Recommended Accessories.**
TO REDUCE THE RISK OF FIRE OR ELECTRIC SHOCK AND ANNOYING INTERFERENCE, USE ONLY THE RECOMMENDED ACCESSORIES.

PREPARATION

It's a good idea to read all of the instructions before beginning the installation. We recommend having your Jensen PADIN5 installed by a reputable installation shop.

Tools and Supplies

You will need these tools and supplies to install your PADIN5:

- Torx type, flat-head and Philips screwdrivers
- Wire cutters and strippers
- Tools to remove existing radio (screwdriver, socket wrench set or other tools)
- Electrical tape
- Crimping tool
- Volt meter/test light
- Crimp connections
- 18 gauge wire for power connections
- 16 – 18 gauge speaker wire

Speaker Requirements: Only connect speakers rated in the load impedance of 4 ohms. Speakers with a load impedance less than 4 ohms could damage the unit.

Disconnecting the Battery

To prevent a short circuit, be sure to turn off the ignition and remove the negative (-) battery cable prior to installation.

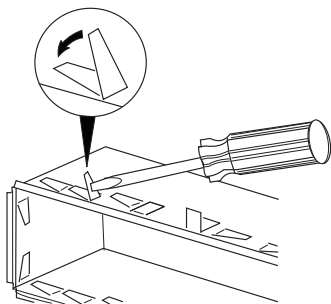
NOTE: If the PADIN5 is to be installed in a vehicle equipped with an on-board drive or navigation computer, do not disconnect the battery cable. If the cable is disconnected, the computer memory may be lost. Under these conditions, use extra caution during installation to avoid causing a short circuit.

INSTALLATION

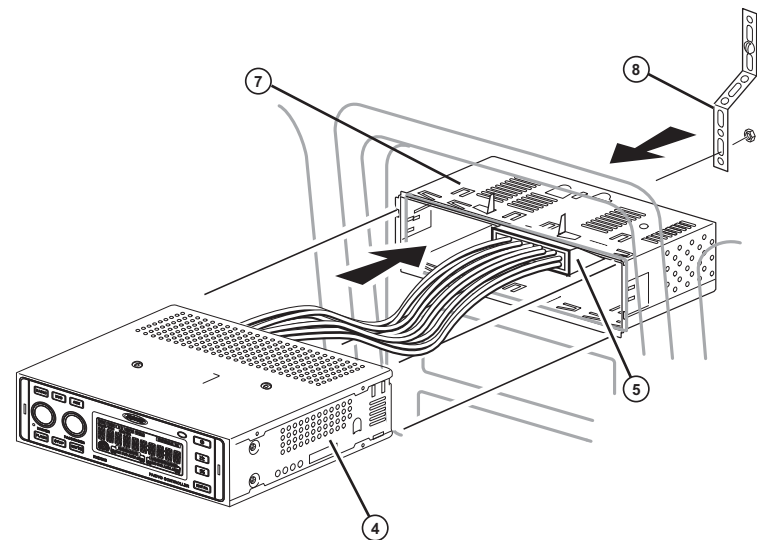
Before you begin, always disconnect the battery negative terminal.

Universal Installation Using Mounting Sleeve

1. Slide the mounting sleeve off of the chassis if it has not already been removed. If it is locked into position, use the removal keys (supplied) to disengage it.
2. Check the dashboard opening size by sliding the mounting sleeve into it. If the opening is not large enough, carefully cut or file as necessary until the sleeve easily slides into the opening. Do not force the sleeve into the opening or cause it to bend or bow. Check that there will be sufficient space behind the dashboard for the radio chassis.
3. Locate the series of bend tabs along the top, bottom and sides of the mounting sleeve. With the sleeve fully inserted into the dashboard opening, bend as many of the tabs outward as necessary to firmly secure the sleeve to the dashboard.



4. Place the unit in front of the dashboard opening so the wiring can be brought through the mounting sleeve.



5. Follow the wiring diagram carefully and make certain all connections are secure and insulated with crimp connectors or electrical tape to ensure proper operation.
6. After completing the wiring connections, turn the unit on to confirm operation (vehicle ignition switch must be on). If the unit does not operate, recheck all wiring until the problem is corrected. Once proper operation is achieved, turn the ignition switch off and proceed with final mounting of the chassis.
7. Carefully slide the unit into the mounting sleeve making sure it is right-side-up until it is fully seated and the spring clips lock it into place.
8. Attach one end of the perforated support strap (supplied) to the screw stud on the rear of the chassis using the hex nut provided. Fasten the other end of the perforated strap to a secure part of the dashboard either above or below the radio using the screw and hex nut provided. Bend the strap, as necessary, to position it.

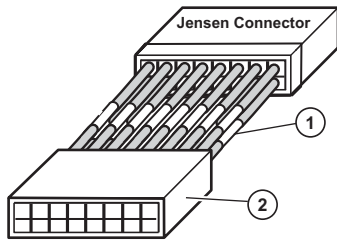
CAUTION: The rear of the unit must be supported with the strap to prevent damage to the dashboard from the weight of the radio or improper operation due to vibration.

9. Test operation by referring to the operating instructions for the unit.

Wiring

Perform the following steps to install the radio using a wiring adapter (purchased separately):

1. Splice or crimp wires.
2. Attach wiring adapter to vehicle wiring harness.
3. Re-connect the battery negative terminal and test radio operation to confirm correct wiring.



Rear Radio Controls and Connectors

1. **MICROPHONE CONNECTIONS**
See "Using Microphones" on page 6.
2. **IR CONNECTIONS**
See "AUX IR and DVD IR Connections" on page 5.
3. **RADIO IN LOW/HIGH SWITCH**
 - Select "LOW" when you are using low-level RCA radio input (RADIO LOW-IN).
 - Select "HIGH" when using hi-level radio input (RADIO HI-IN).
4. **RCA CONNECTIONS**
 - RADIO LOW-IN: Connect to the RCA output from your radio.
 - AUX IN 1 and AUX IN 2: See "AUX RCA Connections" on page 5.
 - AUDIO OUT: Connect to an additional amplifier.
5. **HIGH LEVEL WIRING CONNECTIONS**
See Table 1 on page 4 for specific wiring connections.

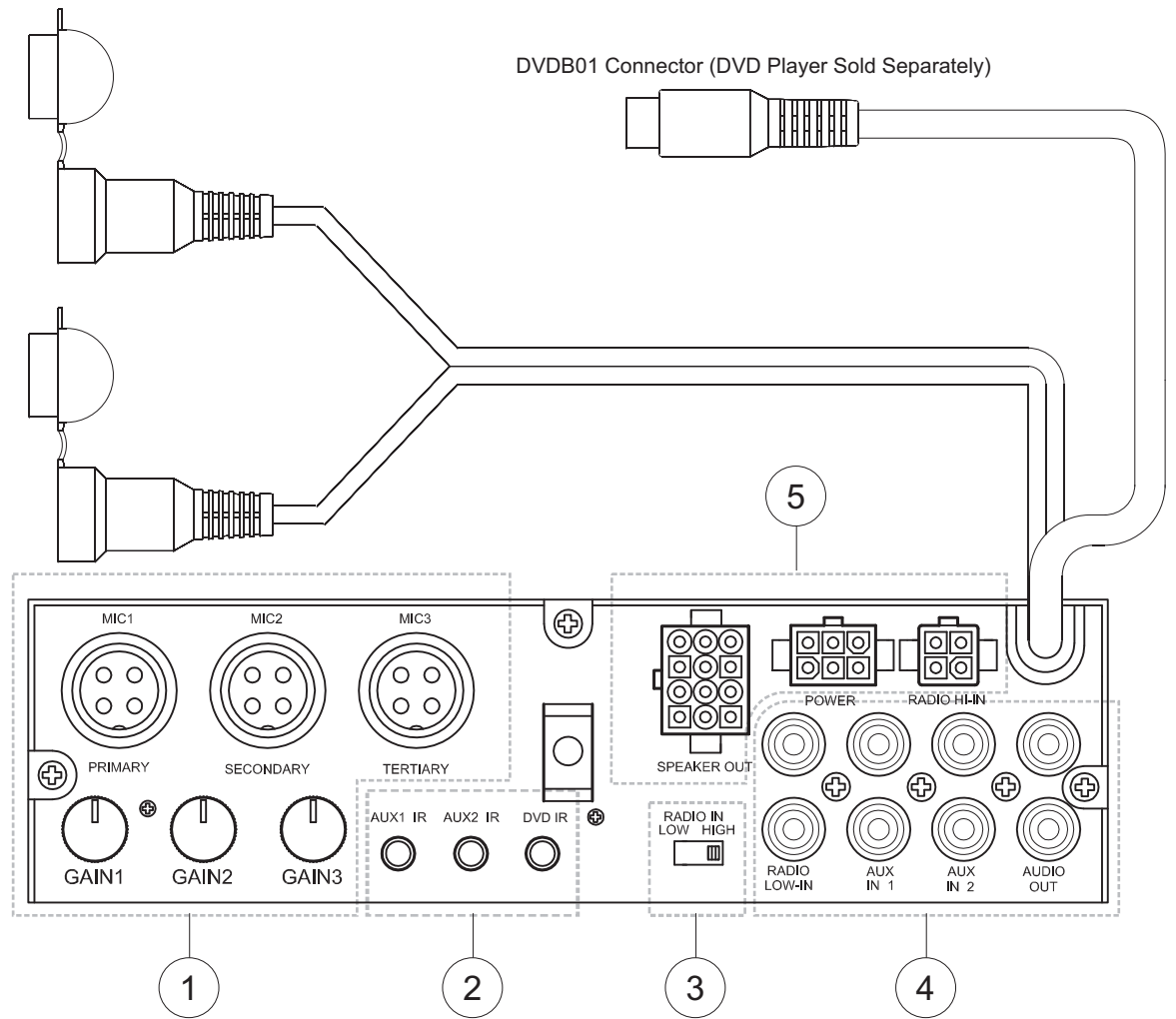
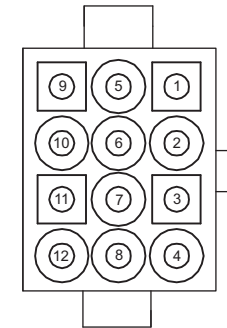
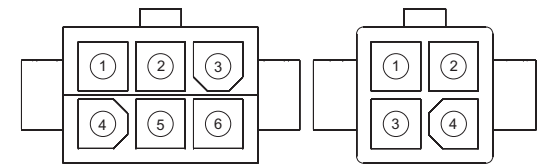
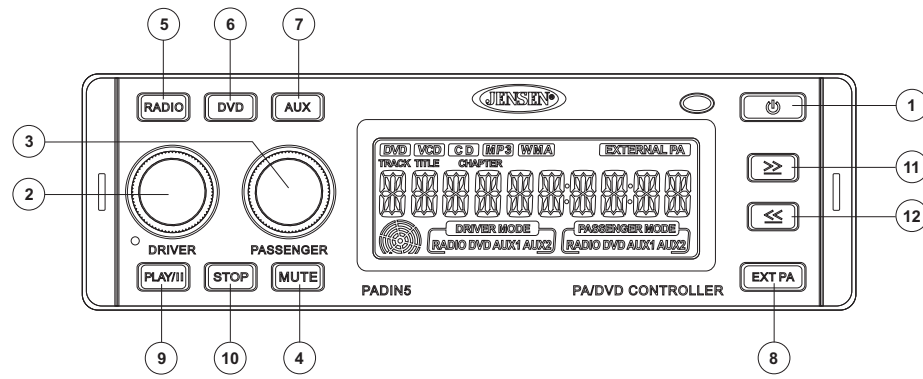


Table 1: Wiring Connections

Pin #	Wire Color	Function
SPEAKER OUT		
1	White	Driver Speaker L+
2	Gray	Driver Speaker R+
3	Green	Passenger Speaker L+
4	Violet	Passenger Speaker R+
5	White/Black	Driver Speaker L-
6	Gray/Black	Driver Speaker R-
7	Green/Black	Passenger Speaker L-
8	Violet/Black	Passenger Speaker R-
9	Orange	EXT Speaker +
10	Orange/Black	EXT Speaker -
11	White/Red	Trigger DC +12V output for AUX2 mode
12	White/Blue	Trigger DC +12V output for AUX1 mode
POWER		
1	Red	DC Input: Connect to +12V switched power source. The radio will not work if this wire is not connected.
2	Pink	Trigger +12V Output for DVD mode
3	Yellow	+12V Plus Constant Power
4	Empty	Not Used
5	Blue/White	Trigger +12V Output
6	Black	Ground
RADIO HI-IN		
1	White	Speaker Left +
2	Gray	Speaker Right +
3	White/Black	Speaker Left -
4	Gray/Black	Speaker Right -


SPEAKER OUT
PADIN5 Connector PIN View

POWER
RADIO HI-IN

OPERATION



Basic Operation

Power

Press the **POWER** button (1) or any other button on the face of the unit to turn the unit on. Press **POWER** to turn the unit off.

Volume Control - Driver

To increase the volume for the driver, rotate the **DRIVER** volume control knob (2) clockwise. Rotate the **DRIVER** knob counter-clockwise to decrease the volume.

Volume Control - Passenger

To increase the volume for the passenger, rotate the **PASSENGER** volume control knob (3) clockwise. Rotate the **PASSENGER** knob counter-clockwise to decrease the volume.

Select Driver Source

To select the Driver source, press the **DRIVER** volume control knob (2). The DRIVER MODE icon will flash and turn from amber to green, indicating that Driver Mode was selected. Press the RADIO, DVD or AUX button (press twice for AUX 2) to select the desired source. The selected source will be indicated on the display. To exit Driver mode, *press and hold* the **DRIVER** volume control knob for 2 seconds.

Select Passenger Source

To select the Passenger source, press the **PASSENGER** volume control knob (3). The PASSENGER MODE icon will flash and turn from amber to green. Select the desired source (indicated on the display). To exit Passenger mode, *press and hold* the **PASSENGER** volume control knob for 2 seconds.

Mute

Press the **MUTE** button (4) to silence the amplifier. Press **MUTE** again to resume audio.

Radio Source Button

Press the **RADIO** source button (5) to select radio input. The illuminated RADIO indicator will change from amber to green, indicating the selection was made.

DVD Source Button

Press the **DVD** button (6) to play the audio from the optional DVDB01 DVD player through the selected speakers. The illuminated DVD indicator will change from amber to green, indicating the selection was made. An 8-Pin DIN connector and left and right audio input cables allow you to control the Jensen DVDB01 through the PADIN5.

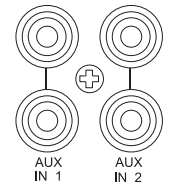
NOTE: DVD audio is available for non-Jensen DVD players. To access this feature, press and hold the DVD button (6) for 2 seconds to control audio for any DVD player when the communication cable is not connected.

AUX Source Button

Press the **AUX** button (7) once to select AUX 1 input. To select AUX 2, press the **AUX** button again while in AUX 1 mode. The AUX 2 indicator on the display will change from amber to green.

AUX RCA Connections

The RCA connections for the AUX input audio channel, labeled AUX IN 1 and AUX IN 2, are located on the back of the unit.



AUX IR and DVD IR Connections

There are three 3.5mm jacks (one for AUX1, one for AUX2 and one for DVD IR) on the back of the unit in which you can plug the IR source signals. The AUX IN device can then be controlled with the AUX remote through the IR sensor on the front of the PADIN5.

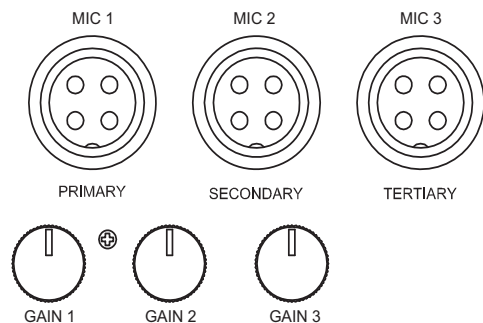


NOTE: If using a wireless remote with the DVDB01, the DVDB01 wired IR connection must be plugged into the AUX1 IR, AUX2 IR or DVD IR jack.

External PA Source Button

The External PA source can be selected to broadcast the audio from a microphone. To select the External PA source, press the **EXT PA** button (8). The illuminated EXTERNAL PA indicator will change from amber to green, indicating the selection was made.

External Microphone Connections



Using Microphones

There are three microphone inputs on the back of the unit labeled Primary, Secondary and Tertiary. Each microphone has its own level control located below the connector, which is used to adjust the volume level of the PA. The Primary microphone takes priority over the other two microphones. If the Secondary or Tertiary microphone is being used and the Primary microphone is keyed, only the Primary microphone audio will be heard in the PA. If the Tertiary microphone is keyed when the Secondary microphone is in use, the Secondary microphone will take priority over the Tertiary microphone (only the Secondary microphone will be heard). There are individual gain controls for each microphone on the rear of the unit. When a microphone is keyed, the audio from the Driver and Passenger modes will be muted and the audio from the microphone will be heard in the Driver, Passenger and EXT PA speakers.

Controlling the Optional DVDB01 DVD Player

NOTE: The DVDB01 is sold separately. It is not supplied with the PADIN5.

PLAY/|| Button

Press the **PLAY/||** (Play /Pause) button (9) to pause DVD play. Press **PLAY/||** again to resume play.

≥≥ Button

Press the **≥≥** (forward) button (11) to advance to the next chapter in a DVD or the next track on a CD.

Press and hold for 2 seconds to Fast Forward (FF) through the scene. *Press and hold* repeatedly to increase the FF speed from 2x, 4x, 8x, 20x and then normal play. Press the **PLAY/||** button (9) at any time to resume normal play.

≤≤ Button

Press the **≤≤** (reverse) button (12) to return to the previous chapter on a DVD or the previous track on a CD.

Press and hold for 2 seconds to Rewind (RW) through the scene. *Press and hold* repeatedly to increase the RW speed from 2x, 4x, 8x, 20x and then normal play.

Press the **PLAY/||** button (9) at any time to resume normal play.

STOP Button

Press the **STOP** button (10) to stop DVD play. Press the **PLAY/||** button (9) to resume DVD play at the last scene that was displayed.

Pressing **STOP** again will restart the DVD at the beginning.

TROUBLESHOOTING

Problem	Cause	Corrective Action
Does not operate (display does not light)	No power to yellow wire No power to red wire	Check connection with test light. Check fuse with test light.
	Inline fuse blown	Replace fuse
No power to unit	Inline fuse blown	Check/replace fuse
No speakers operate	Speaker harness not connected	Connect speaker harness. Check speaker wires.
Not all speakers operate	Incorrect splices or connections	Check all splices and connections.
	Speaker wires shorting to chassis ground or to each other	Check splices and connections.
Blows fuses	Power wire shorting to ground	Make sure wire is not pinched.
	Speaker wires shorting to ground	Make sure wire is not pinched.
	Incorrect fuse/fuse too small	Install fuse of correct rating.
CD skips too much	Receiver mount is not solid or backstrap is not secure	Check mounting and backstrap and tighten if needed.

For technical assistance, please visit www.asaelectronics.com.

SPECIFICATIONS

Power supply	10.5-32 VDC, negative ground
Speaker output impedance	4-8 Ohms
Fuses	fast blow ATC (15 amp)
Dimensions	7" x 6-1/2" x 2" (178 x 165 x 51 mm)

Specifications subject to change without notice.

This device complies with Part 15 of the FCC Rules. Operation is subject to the following two conditions:

- (1) This device may not cause harmful interference.
- (2) This device must accept any interference received, including interference that may cause undesired operation.

NOTE: The manufacturer is not responsible for any radio or TV interference caused by unauthorized modifications to this equipment. Such modifications could void the User's authority to operate the equipment.

LIMITED WARRANTY

90 Day / 12 Month Limited Warranty

AUDIOVOX SPECIALIZED APPLICATIONS, LLC (the Company) warrants to the original retail purchaser of this product that should this product or any part thereof, under normal use and conditions, be proven defective in material or workmanship within 90 days from the date of original purchase, such defect(s) will be repaired or replaced (at the Company's option) without charge for parts and repair labor. After the initial 90 day period and for a period of 12 months from the date of the original purchase, the Company will supply at no charge a replacement for any defective part(s).

To obtain repair or replacement within the terms of this warranty, the end user should contact the O.E.M. The product is to be delivered to the OEM or original place of purchase, with proof of warranty coverage (e.g. dated bill of sale, and serial number of the unit, and vin#), specification of defect(s), transportation prepaid, to an approved warranty station. This warranty does not extend to the elimination of externally generated static or noise, to the correction of antenna problems, to costs incurred for removal or reinstallation of the product, or to damage to any tapes, CD's, DVD's, speakers, accessories, or electrical systems. This warranty does not apply to any product or part thereof which, in the opinion of the Company, has been damaged through alteration, improper installation, mishandling, misuse, neglect, or accident. **THE EXTENT OF THE COMPANY'S LIABILITY UNDER THIS WARRANTY IS LIMITED TO THE REPAIR OR REPLACEMENT PROVIDED ABOVE, AND, IN NO EVENT, SHALL THE COMPANY'S LIABILITY EXCEED THE PURCHASE PRICE PAID BY THE PURCHASER FOR THE PRODUCT.**

This warranty is in lieu of all other express warranties or liabilities. ANY IMPLIED WARRANTIES, INCLUDING ANY IMPLIED WARRANTY OF MERCHANTABILITY, SHALL BE LIMITED TO THE DURATION OF THIS WARRANTY. ANY ACTION FOR BREACH OF ANY WARRANTY HEREUNDER INCLUDING ANY IMPLIED WARRANTY OF MERCHANTABILITY MUST BE BROUGHT WITHIN A PERIOD OF 30 DAYS FROM THE DATE OF ORIGINAL PURCHASE. IN NO CASE SHALL THE COMPANY BE LIABLE FOR ANY CONSEQUENTIAL OR INCIDENTAL DAMAGES FOR BREACH OF THIS OR ANY OTHER WARRANTY, EXPRESS OR IMPLIED WHATSOEVER. No person or representative is authorized to assume for the Company any liability other than that expressed herein in connection with the sale of this product.

Some states do not allow limitations on how long an implied warranty lasts or the exclusion or limitation of incidental or consequential damages so the above limitations or exclusions may not apply to you. This warranty gives you specific legal rights and you may also have other rights which vary from state to state.

PRÉCAUTIONS

- **Utilisez la bonne alimentation.**
Ce produit est conçu pour opérer avec un système de pile à 12 volt DC, terre négative (le système habituel dans une voiture d'Amérique du Nord).
- **Utilisez des Centre de service autorisés.**
N'essayez pas de démontez ni d'ajuster ce produit de précision ; contactez un professionnel pour aide.
- **Eviter l'humidité.**
Pour réduire le risque d'une incendie ou d'un choc électrique n'exposez pas cet équipement à la pluie ou à l'humidité.
- **Utilisez des accessoires recommandés.**
POUR REDUIRE LE RISQUE D'UNE INCENDIE OU CHOC ELECTRIQUE ET L'INTERFERENCE AGACANTE, N'UTILISEZ QUE DES ACCESSOIRES RECOMMANDES.

PREPARATION

C'est une bonne idée de lire toutes les instructions avant de commencer l'installation. Nous recommandons que vous fassiez installer votre Jensen PADIN5 par une boutique d'installation de bonne réputation.

Outils et fournitures

Vous aurez besoin de ces outils et fournitures pour installer votre PADIN5 :

- Tournevis à six lobes internes, à tête fraisée et Philips
- Coupe-fil et dénudeurs
- Des outils pour enlever la radio existante (tournevis, clé à douille et d'autres outils)
- Ruban isolant
- Outil de sertissage
- Voltmètre/lumière d'essai
- Branchements sertis
- Fil de calibre 18 pour l'alimentation
- Fil de haut parleur de calibre 16 à 18

Exigences de haut parleur : Ne branchez que des hauts parleurs avec un rating d'impédance de chargement de 4 ohms. Des hauts parleurs avec une impédance de chargements de moins de 4 ohms peuvent endommager l'appareil.

Débranchez la pile

Pour éviter un court-circuit, soyez sûr d'éteindre le commutateur d'allumage et enlevez le câble de pile négative avant l'installation.

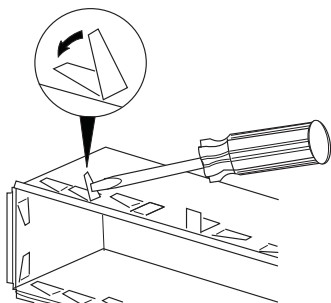
A NOTER : Si le PADIN5 est à être installé dans un véhicule équipé d'un lecteur ou d'un ordinateur de navigation, ne débranchez pas le câble de la pile. Si le câble est débranché la mémoire de l'ordinateur peut être perdue. Dans ces conditions soyez plus prudent pendant l'installation pour éviter de provoquer un court-circuit.

INSTALLATION

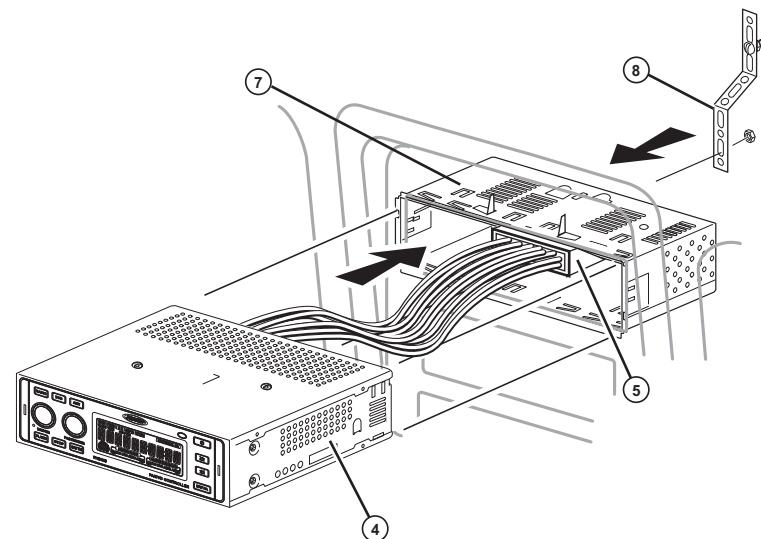
Avant de commencer, débranchez toujours la borne négative de la pile.

Installation universelle en utilisant le manchon de montage

1. Glissez le manchon de montage du châssis s'il n'a pas déjà été enlevé. S'il est verrouillé, utilisez les clés d'enlèvement (fournis) pour le désengager.
2. Vérifiez l'ouverture du tableau de bord en glissant le manchon de montage dedans. Si l'ouverture n'est pas assez large, coupez ou limez jusqu'à ce que le manchon se glisse facilement dans l'ouverture. Ne forcez pas le manchon dans l'ouverture ni ne le pliez ou courbez. Vérifiez qu'il y aura assez de place derrière le tableau de bord pour le châssis de la radio.
3. Trouvez la série de languettes à plier tout au long du haut, du bas, et des côtés du manchon de montage. Avec le manchon pleinement engagé dans l'ouverture du tableau de bord, pliez autant de languettes vers le dehors que nécessaire pour attacher bien le manchon au tableau de bord.



4. Placez l'appareil devant l'ouverture du tableau de bord pour que le câblage puisse être amené à travers le manchon de montage.



5. Suivez le diagramme de câblage de près et soyez sûr que tous les branchements sont sécurisés et isolés avec des connecteurs de sertissage ou du ruban isolant pour assurer une bonne opération.
6. Après avoir terminé les branchements de câbles, allumez l'appareil pour confirmer l'opération (le commutateur d'allumage doit être en marche). Si l'appareil ne fonctionne pas revérifiez tout le câblage jusqu'à ce que le problème soit corrigé. Lorsque l'appareil se met à fonctionner, mettez en arrêt le commutateur d'allumage et procédez avec le montage final du châssis.
7. Glissez doucement l'appareil dans le manchon de montage en vous assurant qu'il va dans le bon sens jusqu'à ce qu'il soit bien assis et les attaches à ressort verrouillent bien.
8. Attachez un bout de la courroie de soutien perforée (fournie) au boulon à l'arrière du châssis en utilisant l'écrou hexagonal fourni. Attachez l'autre bout de la courroie perforée à la partie sécurisée du tableau de bord soit au-dessus soit au-dessous de la radio en utilisant les écrous et l'écrou hexagonal fournis. Pliez la courroie comme il faut pour la positionner.

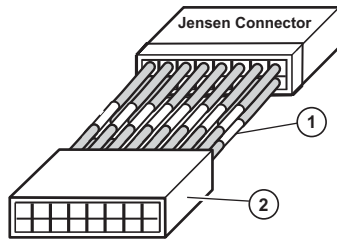
CAUTION : L'arrière de l'appareil doit être soutenu avec la courroie pour éviter l'endommagement au tableau de bord du poids de la radio ou l'opération mauvaise à cause de la vibration.

9. Testez l'opération en vous référant aux instructions d'opération pour cet appareil.

Câblage

Performez les étapes suivantes pour installer la radio en utilisant l'adaptateur de câblage (acheté séparément) :

1. Greffez ou sertissez les fils.
2. Attachez l'adaptateur de câblage au harnais de câblage du véhicule.
3. Rebranchez la borne négative de la pile et testez l'opération de la radio pour confirmer le câblage correct.



Commandes radio à l'arrière et des connecteurs

1. **BRANCHEMENTS MICROPHONE**
Voir « Utilisation du microphone » à la pagina 14.
2. **BRANCHEMENTS IR**
Voir « Branchements AUX IR et DVD IR » à la pagina 13.
3. **RADIO EN INTERRUPTEUR BAS/HAUT**
 - Sélectionnez « LOW » lorsque vous utilisez l'entrée radio de niveau bas (RADIO LOW-IN).
 - Sélectionnez « HIGH » lorsque vous utilisez l'entrée radio de niveau haut (RADIO HI-IN).
4. **BRANCHEMENTS RCA**
 - RADIO LOW-IN : Branchez à la sortie RCA depuis votre radio.
 - AUX IN 1 et AUX IN 2 : Voir « Branchements AUX RCA » à la pagina 13.
 - AUDIO OUT : Branchez à un amplificateur supplémentaire.
5. **BRANCHEMENTS CÂBLAGE À NIVEAU ÉLEVÉ**
Voir Table 1 à la page 6 pour des branchements de câbles spécifique.

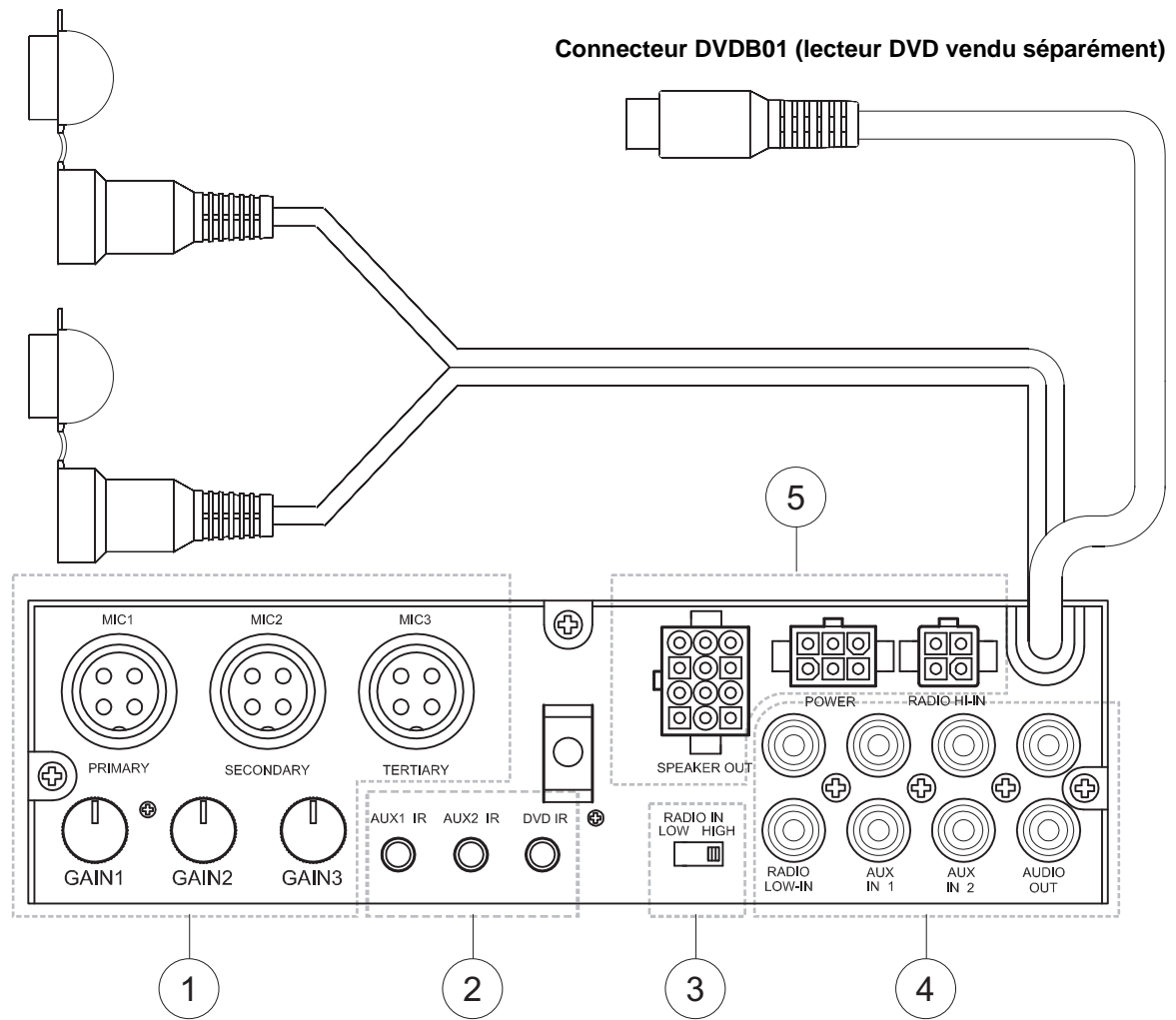
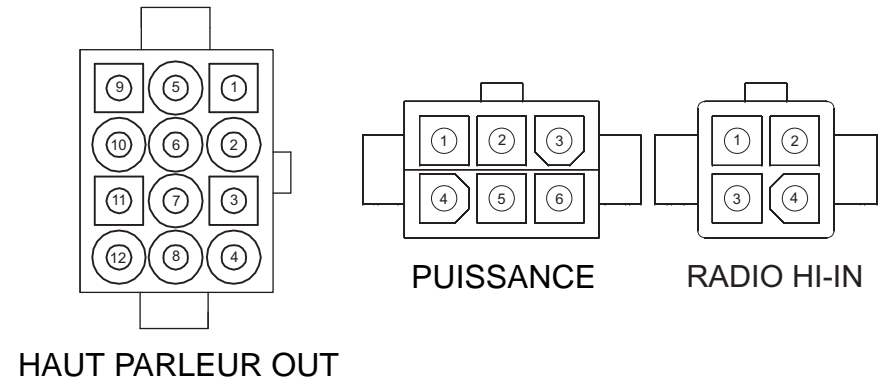
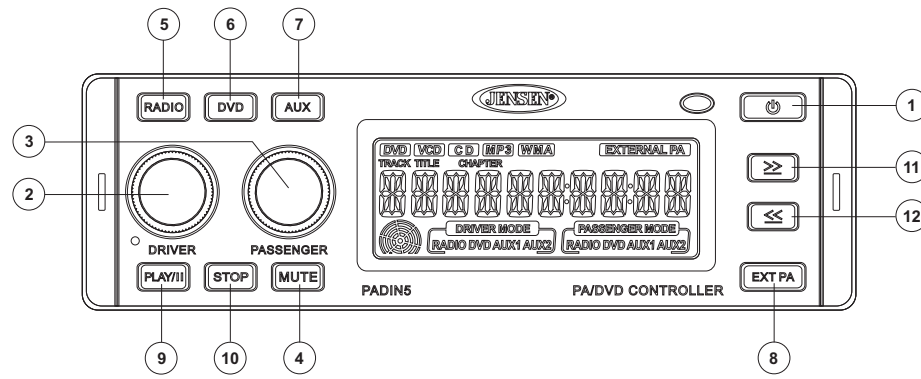


Table 1: Branchements du câblage

Pin #	Couleur de fil	Fonction
HAUT PARLEUR OUT		
1	Blanc	Conducteur haut parleur Gauche+
2	Gris	Conducteur haut parleur Droite+
3	Vert	Passager haut parleur Gauche+
4	Violet	Passager haut parleur Droite+
5	Blanc/Noir	Conducteur haut parleur Gauche-
6	Gris/Noir	Conducteur haut parleur Droite-
7	Vert/Noir	Passager haut parleur Gauche-
8	Violet/Noir	Passager haut parleur Droite-
9	Orange	Haut parleur EXT +
10	Orange/Noir	Haut parleur EXT -
11	Blanc/Rouge	Déclencheur DC +12V sortie pour mode AUX2
12	Blanc/Bleu	Déclencheur DC +12V sortie pour mode AUX1
PUISSANCE		
1	Rouge	Entrée DC : Branchez à une source de puissance avec interrupteur +12V. La radio ne fonctionnera pas si ce fil n'est pas branché.
2	Rose	Déclencheur +12V Sortie pour mode DVD
3	Jaune	+12V puissance constante plus
4	Vide	N'est pas utilisé
5	Bleu/Blanc	Déclencheur +12V Sortie
6	Noir	Mise à la terre
RADIO HI-IN		
1	Blanc	Haut parleur Gauche +
2	Gris	Haut parleur Droite +
3	Blanc/Noir	Haut parleur Gauche -
4	Gris/Noir	Haut parleur Droite -

Connecteur PIN PADIN5


OPERATION



Opération de base

Puissance

Pressez le bouton **POWER** (1) ou tout autre bouton sur la face de l'appareil pour mettre l'appareil en marche. Pressez **POWER** pour mettre l'appareil en arrêt.

Commande Volume - Conducteur

Pour augmenter le volume pour le conducteur, faites tourner le bouton de commande de volume **DRIVER** (2) dans le sens des aiguilles d'une montre. Pour diminuer le volume tournez le bouton **DRIVER** contre le sens des aiguilles d'une montre.

Commande Volume - Passager

Pour augmenter le volume pour le passager; tournez le bouton de commande de volume **PASSENGER** (3) dans le sens des aiguilles d'une montre. Tournez le bouton **PASSENGER** contre le sens des aiguilles d'une montre pour diminuer le volume.

Sélectionner la source Conducteur

Pour sélectionner la source conducteur, pressez le bouton de volume **DRIVER** (2). L'icône **DRIVER MODE** va clignoter et devenir ambre de vert, indiquant que le mode Driver a été sélectionné. Pressez le bouton **RADIO**, **DVD** ou **AUX** (pressez deux fois pour AUX2) pour sélectionner la source désirée. La source sélectionnée sera indiquée sur l'affichage. Pour quitter le mode Driver, pressez et maintenez le bouton de commande de volume **DRIVER** pour 2 secondes.

Sélectionner Source Passager

Pour sélectionner la source Passager, pressez le bouton de commande de volume **PASSENGER** (3). L'icône **PASSENGER MODE** va clignoter et devenir ambre de vert. Sélectionnez la source

désirée (indiquée sur l'affichage). Pour quitter le mode Passager, pressez et maintenez le bouton de commande de volume **PASSENGER** pour 2 secondes.

Assourdissement

Pressez le bouton **MUTE** (4) pour assourdir l'amplificateur. Pressez **MUTE** de nouveau pour reprendre l'audio.

Bouton de source radio

Pressez le bouton de source **RADIO** (5) pour sélectionner l'entrée radio. L'indicateur **RADIO** illuminé changera de vert en ambre, indiquant que la sélection a été faite.

Bouton de source DVD

Pressez le bouton DVD (6) pour jouer l'audio depuis le lecteur DVD facultatif DVDB01 à travers les hauts parleurs sélectionnés. L'indicateur DVD illuminé changera en ambre de vert indiquant que la sélection a été faite. Un connecteur DIN à 8 aiguilles et les câbles d'entrée audio de gauche et droite vous permettent de commander le Jensen DVDB01 par le PADIN5.

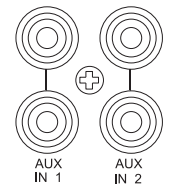
A NOTER : L'audio DVD est disponible pour des lecteurs DVD non-Jensen. Pour accéder à cette fonction, pressez et maintenez le bouton DVD (6) pour 2 secondes pour commander l'audio pour n'importe quel lecteur DVD lorsque le câble de communication n'est pas branché.

Bouton de source AUX

Pressez le bouton **AUX** (7) pour sélectionner entrée AUX1. Pour sélectionner AUX2, pressez le bouton **AUX** de nouveau lorsque vous êtes en mode AUX1. L'indicateur AUX2 sur l'affichage changera en ambre de vert.

Branchements AUX RCA

Les branchements RCA pour le canal d'entrée audio AUX, étiquetté AUX IN1 et AUX IN2 sont situés sur le dos de l'appareil.



Branchements AUX IR et DVD IR

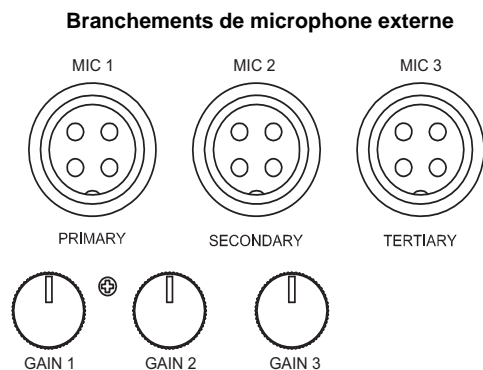
Il y a trois jacks à 3.5mm (un pour AUX1, un pour AUX2 et un pour DVD IR) sur le dos de l'appareil dans lesquels vous pouvez brancher des signaux de source IR. Le dispositif AUX IN peut alors être commandé avec la télécommande AUX à travers la sonde IR sur la face du PADIN5.



A NOTER : Si vous utilisez une télécommande sans fil avec le DVDB01, le DVDB01 câblé branchement IR doit être branché dans le jack AUX1 IR, AUX2 IR ou DVD IR.

Bouton de source PA Externe

La source PA Externe peut être sélectionné pour transmettre de l'audio d'un microphone. Pour sélectionner la source PA Externe, pressez le bouton **EXT PA** (8). L'indicateur EXTERNAL PA illuminé changera d'ambre en vert, indiquant que la sélection a été faite.



Utilisation du microphone

Il y a trois entrées microphone sur le dos de l'appareil étiquetté Primary, Secondary et Tertiary. Chaque microphone a son propre commande de niveau situé endessous du connecteur qui est utilisé pour ajuster le niveau de volume du PA. Le microphone Primary a la priorité sur les deux autres microphones. Si les microphones Secondary ou Tertiary sont en train d'être utilisés et le microphone Primary est allumé, seulement le microphone Primary sera entendu dans le PA. Si le microphone Tertiary est allumé lorsque le microphone Secondary est utilisé, le microphone Secondary aura la priorité sur le microphone Tertiary (seul le microphone Secondary sera entendu). Il y a des commandes de gain individuelles pour chaque microphone sur le dos de l'appareil. Lorsqu'un microphone est allumé l'audio des modes Conducteur et Passager sera assourdi et l'audio du microphone sera entendu dans les hauts parleurs Conducteur, Passager et EXT PA.

Commander le lecteur DVD DVDB01 facultatif

A NOTER : Le DVDB01 est vendu séparément. Il n'est pas fourni avec le PADIN5.

PLAY/|| Bouton

Pressez le bouton **PLAY/||** (Reproduction/Suspension) (9) pour suspendre la reproduction d'un DVD. Pressez **PLAY/||** de nouveau pour reprendre la reproduction.

Bouton >>

Pressez le bouton **>>** (en avant) (11) pour avancer jusqu'au prochain chapitre sur le DVD ou à la piste prochaine sur un CD.

Pressez et maintenez pendant 2 secondes pour faire Avance Rapide à travers la scène. *Pressez et maintenez* de nouveau à nouveau pour augmenter la vitesse d'avance rapide de 2x, 4x, 8x, 20x et puis la reproduction normale. Pressez le bouton **PLAY/||** (9) n'importe quand pour reprendre la reproduction normale.

Bouton <<

Pressez le bouton **<<** (à l'envers) (12) pour revenir au chapitre précédent sur un DVD ou à la piste précédente sur un CD.

Pressez et maintenez pendant 2 secondes pour rembobiner à travers la scène. *Pressez et maintenez* de nouveau à nouveau pour augmenter la vitesse de rembobinage de 2x, 4x, 8x, 20x et puis la reproduction normale.

Pressez le bouton **PLAY/||** (9) n'importe quand pour reprendre la reproduction normale.

Bouton STOP

Pressez le bouton **STOP** (10) pour arrêter la reproduction du DVD. Pressez le bouton **PLAY/||** (9) pour reprendre la reproduction du DVD depuis la dernière scène qui était affichée.

Pressez **STOP** de nouveau pour redémarrer le DVD depuis le début.

DEPANNAGE

Problème	Cause	Correction
Ne fonctionne pas (affichage ne s'allume pas)	Pas de puissance au fil jaune. Pas de puissance au fil rouge.	Vérifiez le branchement avec la lumière d'essai. Vérifiez le fusible avec la lumière d'essai
	Fusible en ligne sauté	Remplacez le fusible
Pas de puissance à l'appareil	Fusible en ligne sauté	Vérifiez/remplacez le fusible
Les hauts parleurs ne fonctionnent pas	Le harnais du haut parleur n'est pas branché	Branchez le harnais du haut parleur. Vérifiez les câbles de haut parleur
Tous les hauts parleurs ne fonctionnent pas	Greffes ou branchements incorrects	Vérifiez tous les greffes et branchements
	Les fils des hauts parleurs court-circuités à la terre ou les uns aux autres	Vérifiez tous les greffes et branchements
Fait sauter les fusibles	Le fil de puissance court-circuité à la terre	Assurez-vous que le fil n'est pas pincé
	Les fils de haut parleurs court-circuités à la terre	Assurez-vous que le fil n'est pas pincé
	Fusible incorrect/fusible trop petit	Installez fusible du bon rating
Le CD saute trop	Le montage du récepteur n'est pas solide ou la courroie à l'arrière n'est pas sûre	Vérifiez le montage et la courroie à l'arrière et serrez s'il le faut.

Pour aide technique, visitez www.asaelectronics.com.

SPECIFICATIONS

Alimentation.....	10.5-32 VDC, negative ground
Impédance de sortie haut parleur	4-8 Ohms
Fusibles.....	fast blow ATC (15 amp)
Dimensions	7" x 6-1/2" x 2" (178 x 165 x 51 mm)

Les spécifications sont susceptibles à être modifiées sans avis préalable

Ce dispositif est en conformité avec la Part 15 des Règlements FCC. L'opération est soumise aux deux conditions suivantes:

- (1) Ce dispositif ne doit pas causer de l'interférence nuisible.
- (2) Ce dispositif doit accepter toute interférence reçue, y comprise l'interférence qui peut causer l'opération indésirable.

A NOTER : Le fabricant n'est pas responsable pour des interférences radio ou TV causées par des modifications non-autorisées à cet équipement. De telles modifications peut annuler l'autorité de l'Utilisateur d'opérer cet équipement.

GARANTIE LIMITEE

Garantie limitée à 90 jours/12 mois

AUDIOVOX SPECIALIZED APPLICATIONS, LLC (la société) garantit à l'acheteur en détail original de ce produit que si ce produit ou une partie de ce produit quelconque, sous l'utilisation et les conditions normales, s'avère être défectueux en matériel ou en artisanat dans 90 jours de la date d'achat originale, de tels défauts seront réparés ou remplacés (à la discrétion de la Société) sans charge pour les pièces ni pour le travail de réparation. Au bout de la période initiale de 90 jours et pour une période de 12 mois depuis la date d'achat originale la Société fournira sans frais supplémentaires des remplacements pour des pièces défectueuses.

Pour obtenir la réparation ou le remplacement dans les termes de cette garantie, l'utilisateur doit prendre contact avec le OEM. Le produit est à livrer à l'OEM ou au lieu d'achat original, avec preuve de garantie (par exemple une facture datée et le numéro de série de l'appareil et le numéro vin), spécifications des défauts, la transportation prépayée à une station de garantie approuvée. La garantie ne s'étend pas à l'élimination des parasites ou du bruit engendré à l'extérieur, à la correction des problèmes d'antenne, aux coûts encourus pour l'enlèvement et la réinstallation du produit ou à l'endommagement des bandes magnétiques, CDs, DVDs; haut parleur, accessoires ou systèmes électriques. Cette garantie ne s'applique pas au produit ou une partie quelconque de ce produit qui, dans l'avis de la Société, a été endommagé par la modification, l'installation incorrecte, la mauvaise manipulation, la mauvaise utilisation, la négligence ou par accident. LA MESURE DE LA RESPONSABILITE DE LA SOCIETE SOUS CETTE GARANTIE EST LIMITEE ALA REPARATION OU LE REMPLACEMENT FOURNIS CIDESSUS ET EN AUCUN CAS LA MESURE DE LA RESPONSABILITE DE LA SOCIETE N'EXCEDERA LE PRIX D'ACHAT PAYE PAR L'ACHETEUR POUR LE PRODUIT. .

Cette garantie tient lieu de tout autre garantie et responsabilités expresse. TOUTES GARANTIES IMPLIQUEES, Y COMPRISE TOUTE GARANTIE IMPLIQUEE DE MARCHANDABILITE SERA LIMITEE A LA DUREE DE CETTE GARANTIE. TOUT ACTION POUR LA RUPTURE DE TOUTE GARANTIE CIDEANS Y COMPRISE TOUTE GARANTIE IMPLIQUEE DE MARCHANDABILITE DOIT ETRE PORTEE DANS UNE PERIODE DE 30 JOURS DEPUIS LA DATE D'ACHAT ORIGINALE; EN AUCUN CAS LA SOCIETE NE SERA RESPONSABLE POUR DES DOMMAGES INDIRECTS ET ACCESSOIRES POUR LA RUPTURE DE CETTE OU TOUT AUTRE GARANTIE, EXPRESSE OU IMPLIQUEE. Aucune personne ou représentant n'est autorisé à assumer de la part de la Société une responsabilité quelconque autre celle exprimée cidedans par rapport à la vente de ce produit.

Certains états ne permettent pas de limitations sur la durée d'une garantie impliquée ou l'exclusion ou la limitation des dommages indirects de sorte que les limitations et les exclusions ci-dessus peuvent ne pas s'appliquer à vous. Cette garantie vous donne des droits légitimes spécifiques et vous pouvez jouir d'autres droits qui varieront d'état en état.



ASA Electronics Corporation

www.asaelectronics.com

www.jensenvdirect.com

© 2009 ASA Electronics Corporation

v.083009

Free Manuals Download Website

<http://myh66.com>

<http://usermanuals.us>

<http://www.somanuals.com>

<http://www.4manuals.cc>

<http://www.manual-lib.com>

<http://www.404manual.com>

<http://www.luxmanual.com>

<http://aubethermostatmanual.com>

Golf course search by state

<http://golfingnear.com>

Email search by domain

<http://emailbydomain.com>

Auto manuals search

<http://auto.somanuals.com>

TV manuals search

<http://tv.somanuals.com>