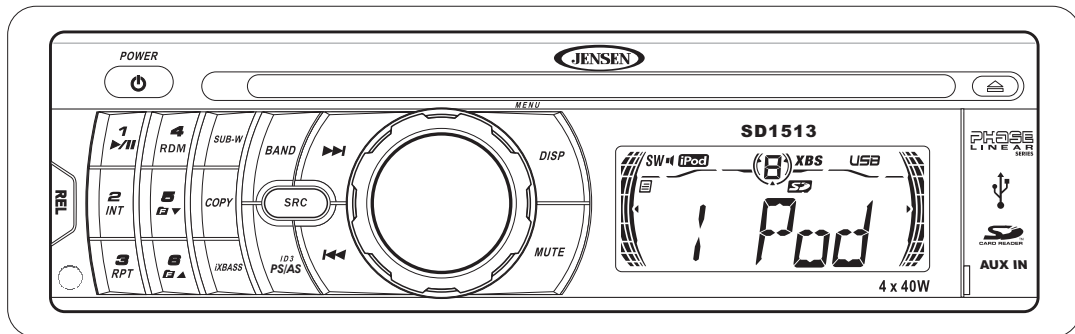


PHASE
LINEAR
SERIES

SD1513

Owner's Manual/Manual del Usuario/Manual de L'Utilisateur



iPod Ready AM/FM/CD/MP3/
WMA

Receptor iPod AM/FM/CD/MP3/
WMA

Recepteur iPod AM/FM/CD/MP3/
WMA

Para obtener instrucciones en Español, dirijase a la página 23.

Pour des instructions en Français, référez-vous à la page 45.

INTRODUCTION

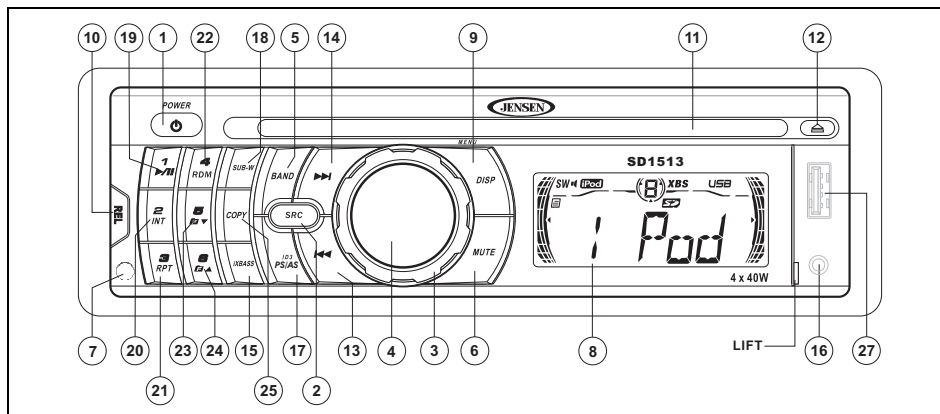
Contents

Operating Instructions	2
Tuner Operation	6
CD Player Operation	8
MP3/WMA File Requirements.....	10
MP3/WMA Operation	12
Using a USB Device or SD Card.....	14
iPod Operation	16
Remote Control	18
Care and Maintenance.....	19
Troubleshooting.....	20
Specifications	21

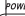
Toll-Free Installation Assistance

If you require assistance, contact Technical Support at 1-800-323-4815 from 9:00 a.m. to 6:00 p.m. EST Monday through Friday (U.S.A. and Canada only).

OPERATING INSTRUCTIONS



Power

Press the power  button (1) or any other button on the face of the receiver to turn the unit on when the ignition switch is on. Press the power button again to turn the receiver off. If the radio was left on when the ignition was last turned off, the receiver will turn on automatically when the ignition switch is again turned on. If the receiver was off when the ignition was last turned off, the receiver must be turned on manually when restarting the vehicle.

Source

Press the **SRC** button (2) to select a different mode of operation as indicated on the display panel. Available sources include Tuner, CD, SD, USB, and Auxiliary Input. During CD player operation, pressing **SRC** will change to the tuner source without ejecting the disc. To access the Auxiliary Input source, press the **SRC** button until "AUX" is indicated in the display.

Volume

To increase the volume, turn the **AUDIO CONTROL** (3) clockwise. To decrease the volume, rotate the **AUDIO CONTROL** counter clockwise. When volume is adjusted, the volume level is shown on the display panel as a number ranging from "00" (lowest) to "46" (highest).

Select

Press the **AUDIO CONTROL** button (4) to step through the menu of audio functions: volume (VOL), bass (BAS), treble (TRB), balance (BAL), fader (FAD),

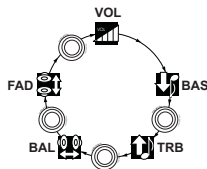
and volume (VOL). When adjusting audio functions, the unit will automatically exit select mode and return to the normal display after five seconds or when another function is activated.

Bass

Press the **AUDIO CONTROL** button (4) twice until "BAS" appears in the display. Within five seconds, turn the **AUDIO CONTROL** (3) clockwise or counter clockwise to adjust the bass from "-6" to "+6". "0" represents a flat response. The bass level is shown on the display for five seconds or until another function is activated.

Treble

Press the **AUDIO CONTROL** button (4) three times until "TRB" appears in the display. Within five seconds, turn the **AUDIO CONTROL** (3) clockwise or counter clockwise to adjust Treble from "-6" to "+6". "0" represents a flat response. The treble level is shown on the display for five seconds or until another function is activated.



Balance

Press the **AUDIO CONTROL** button (4) four times until "BAL" appears in the display. Within five seconds, turn the **AUDIO CONTROL** (3) clockwise (or counter clockwise) to adjust Balance between the right and left speakers from "BAL R12" (full right) to "BAL L12" (full left). "BAL C00" represents an equal balance level between the right and left speakers. The balance position is shown on the display for five seconds or until another function is activated.

Fader

Press the **AUDIO CONTROL** (4) five times until "FAD" appears in the display. Within five seconds, turn the **AUDIO CONTROL** (3) clockwise or counter clockwise to adjust balance between the front and rear speakers from "FAD R12" (full rear) to "FAD F12" (full front). "FAD C00" represents an equal balance level between the front and rear speakers. The fader position is shown on the display for five seconds or until another function is activated.

System Menu

Press and hold the **DISP** button (9) to view the system "MENU". Press the **DISP** button repeatedly or use the >>| (14) or <<| (13) button to access the following MENU options.

Clock (CLK)

Turn the **AUDIO CONTROL** left to adjust the hours and right to adjust the minutes.

AREA

Turn the **AUDIO CONTROL** to select the appropriate frequency spacing for your area: USA, LAT (Latin America), EUR (Europe), or RUS (Russia).

DISTANT/LOCAL

This feature is used to designate the strength of the signals at which the radio will stop during automatic tuning. "Distant" is the default setting, allowing the radio to stop at a broader range of signals. To set the unit to select only strong local stations during automatic tuning, turn the **AUDIO CONTROL** to choose "Local".

P-VOL (00-46)

Use the "VOL PGM" option to select the default volume the radio will assume when first turned on. To program a specific start-up volume level, turn the **AUDIO CONTROL** to select the desired level.

NOTE: If the P-Vol is set higher than the volume selected when the unit is turned off, the unit will resume the lower volume when turned back on - not the P-Vol.

BEEP ON/OFF

The beep tone feature allows the selection of an audible beep tone to be heard each time a button is pressed on the face of the radio. Turn the **AUDIO CONTROL** to select from the following Beep Tone options:

- BEEP ON: Beep is heard any time a button is pressed (function activated).
- BEEP OFF: Beep is not heard.

iX-BASS

Press the **iXBASS** button (15) to activate the iXBASS feature. When listening to music at low volume levels, this feature will boost the bass and treble ranges to compensate for the characteristics of human hearing. Press **iXBASS** again to deactivate this feature.

Subwoofer

Press the **SUB-W** button (18) to activate the Subwoofer function. Press again to turn the Subwoofer function off.

NOTE: The Subwoofer feature only works when an external amplifier and subwoofer are connected via the Sub line out connection on the back of the unit.

Audio Mute (MUTE)

Press the **MUTE** button (6) to mute the audio volume. "MUTE" flashes on the display. Restore

volume to the previous setting by pressing the mute button again, adjusting the **AUDIO CONTROL**.

Liquid Crystal Display (LCD)

The liquid crystal display (LCD) panel (8) displays the frequency, time and activated functions of the unit.

NOTE: After being subjected to cold temperatures, LCD panels may take longer to respond and visibility of the numbers on the LCD may decrease slightly. The LCD display will return to normal when the temperature increases to a normal range.

Display (DISP)

When the unit is on, the LCD automatically shows the display for the current source of operation.

When the unit is on, press the **DISP** button (9) to display the time of day. After five seconds, the display reverts to the current source.

Auxiliary Input

Lift the cover on the right side of the radio to reveal the **AUX IN** connector (16). Use the included 3.5mm media cable to connect a portable media device for playback through the vehicle sound system.

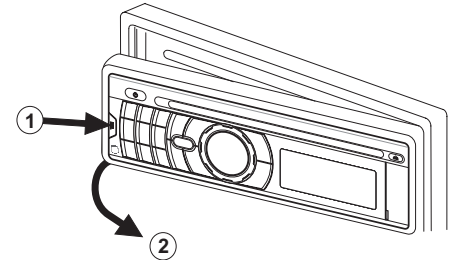
Front Panel Release

The front panel **REL** (release) button (10) releases the mechanism that holds the front panel to the chassis.

Detaching the Front Panel

To detach the front panel, first press the **REL** button (10) to release the left side of the panel. Next, grasp the released side and pull the panel off the chassis. After removing the front panel, store it in the supplied carrying case to protect it from dirt and damage.

REMOVE FRONT PANEL



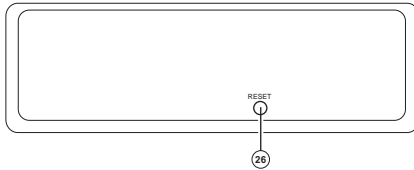
Re-attaching the Front Panel

To re-attach the front panel, make sure the electrical terminals on the back of the panel are free of dust and dirt, as debris could cause intermittent operation or other malfunctions. Position the right side of the panel in place so that it is correctly engaged, and then lightly

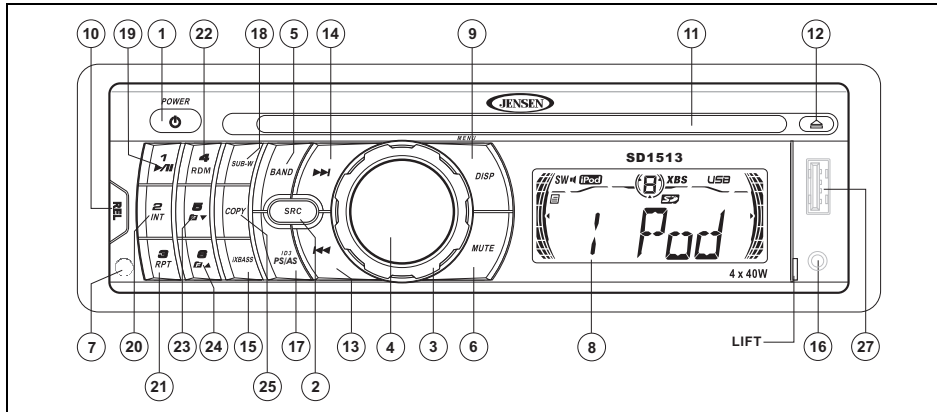
press the left side of the panel until the panel locks into place.

Reset Button

The reset button (26) is located on the front of the chassis and can only be accessed with the front panel removed. The reset circuitry protects the microprocessor circuitry. Since resetting the unit will erase the time and preset memories, it should only be activated upon initial installation after all wiring is complete, or if there is a malfunction of any of the switches on the unit. In these circumstances, pressing the reset button will clear the system and return the unit to normal operation.



TUNER OPERATION



AM/FM Band Selector (BAND)

Press the **BAND** button (5) during radio play to switch between three FM bands and two AM bands. "F1", "F2", "F3" or "AM", "AM2" will appear in the display to indicate the band currently selected.

Tuning

Automatic Tuning

Press the **>>|** button (14) to tune upward in frequency and the **|<<<** button (13) to tune downward in frequency. The unit will automatically stop at the next strong station. If the Local mode is active, the radio will seek the next strong local station when either button is pressed.

Manual Tuning

Press the **>>|** (14) or **|<<<** (13) button for more than two seconds to select manual tuning mode. "MANUAL" will appear in the display. Press the Up or Down Tuning buttons to move radio frequency up or down two digits at a time. Press and hold the Up or Down Tuning buttons to quickly advance to a certain frequency. Release when the desired frequency is reached. If tuning is not adjusted within five seconds of entering manual tuning mode, the radio will revert to automatic tuning and "AUTO" will appear in the display.

Preset Stations

Up to six stations on each band can be stored as presets and can then be instantly recalled by pressing the associated preset button on the front panel (19-24) or remote control. To store a station, turn the radio on and select the desired band and station. *Press and hold* the desired preset button (numbered one through six on the face of the radio or remote control) for more than two seconds. When stored, the preset number will appear in the display. The station is now stored and can be recalled at any time by pressing the corresponding preset button. Repeat for the remaining five presets on the current band and for all presets on the other three bands.

Preset Scan/Automatically Store (PS/AS)

Automatically Store

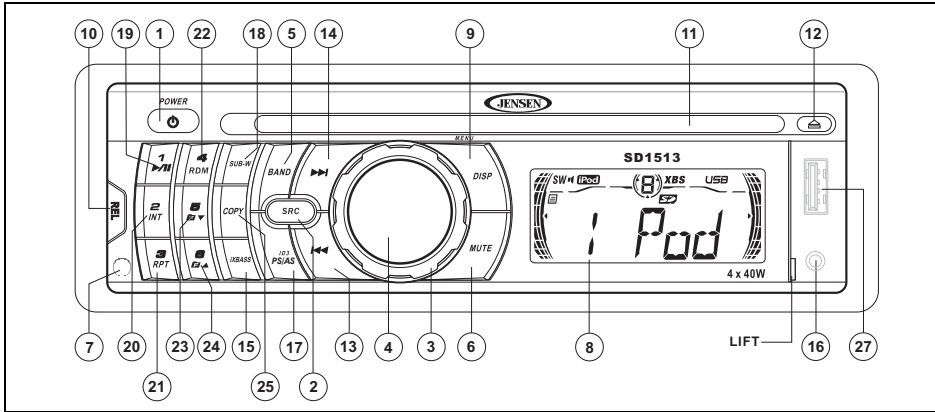
Select six strong stations and store them for the current band using the Automatic Store feature. To enable this feature, *press and hold* the **PS/AS** button (17) for more than two seconds. The radio will automatically scan each band and enter strong stations into the preset memory positions. After entering the stations into memory, the unit will automatically stop at each station for five seconds so each can be heard. When using the Automatically Store

feature, the new stations replace any stations already stored in preset memory.

Preset Scan

Press the **PS/AS** button (17) to scan the six preset stations in the AM band or all FM bands. The unit will stop at each station for five seconds before continuing to the next preset station, and the preset number will flash on the display during the preset scan. Press **PS/AS** again to stop scanning and listen to the current station.

CD PLAYER OPERATION



NOTE: The unit is designed for play of standard 5" (12 cm.) compact discs only. Do not attempt to use 3" (8 cm.) CD singles in this unit, either with or without an adaptor, as damage to the player and/or the disc may occur. Such damage will not be covered by the warranty on this product.

Insert CD

With the label surface facing up, gently insert the disc into the CD slot (11) until the soft-loading mechanism engages and pulls the disc in. Disc play begins. The track number and elapsed time appear in the display.

Track Select

Track select features are used to quickly access the beginning of a particular track when a disc is in play. Press the **>>|** button (14) to move forward or the **|<<** button (13) to move backward on the disc to locate the desired

track. Track numbers will appear in the display as they are accessed.

Press and hold the **>>|** or **|<<** button to fast forward or fast reverse through a disc. During either function, the elapsed time will appear on the display. Release the button to resume CD play.

Play/Pause

Press the play/pause button (19) to suspend disc play. "PAUSE" will appear in the display. Press the play/pause button again to resume disc play. The "PAUSE" indication will

disappear from the display, and play will resume from the pausing point.

Disc Intro Scan (INT)

During disc play, press the **2 INT** button (20) to play the first 10 seconds of each track on the disc. "INT" will appear in the display. When the desired track is reached, press **2 INT** again to end the scan function and play the selected track. "INT" will disappear from the display. The scan function will also be canceled when activating the repeat or shuffle functions.

Disc Repeat (RPT)

Press the **3 RPT** button (21) during disc play to continuously repeat the selected track. "RPT" will appear in the display. Press **3 RPT** again to stop repeating. "RPT" will disappear from the display, and regular play will resume. The repeat function will also be canceled when activating the scan or shuffle functions.

Disc Shuffle (RDM)

Press the **4 RDM** button (22) during disc play to play all tracks on a CD in random, shuffled order. "RDM" will appear in the display. Press **4 RDM** again to stop random play. "RDM" will disappear from the display and regular play will resume. The shuffle function will also be canceled when activating the scan or repeat functions.

Disc Eject

Press the eject button (12) to stop CD play and eject the disc. The unit will change to tuner or AUX operation, depending on which mode was in operation prior to disc play. If the disc is not removed from the unit within 15 seconds, the disc will be reloaded to prevent accidental damage. Disc play can be resumed by pressing **SRC** (2) to choose the CD player function.

CD Player Error Codes

If a problem should develop while operating the CD player, "Disc Error" or "Error 1" may appear on the display panel. If "Disc Error" appears, try ejecting and reloading the disc into the player. While the disc is out of the unit, make sure it is clean and undamaged, and then load it correctly. "Error 1" can indicate a number of problems with the unit, including a mechanical error or an error in the microprocessor control of the player. Pressing the reset button (26) may help, but will erase the time and preset memory. If the suggested measures do not solve the problem, contact an approved warranty station near you for further assistance.

MP3/WMA FILE REQUIREMENTS

MP3 and WMA (Windows Media Audio) music files are digital audio files that are compressed to allow more files on a single CD. This unit can play MP3/WMA directly from files contained on a CD-R/RW, USB device or SD card using the buttons on the receiver (or remote control) as described below. Many types of software are available for converting audio files into MP3/WMA formats. Phase Linear recommends *Nero* or *Roxio Easy CD Creator*. Depending on the media type and recording method, some CD-R/RWs may be incompatible with this unit. The unit supports playback of MP3/WMA and CDDA (CDA), Mixed-Mode CDs and CD-Extra (including multi-session discs), but **discs on which the session has not been closed will not play**.

Notes on MP3/WMA Play

This unit can play MP3 (MPEG1, 2, 2.5 Audio Layer 3). However, the MP3 recording media and accepted formats are limited. When writing MP3/WMA, pay attention to the following restrictions.

Acceptable Media

The MP3/WMA recording media acceptable to this unit are CD-ROM, CD-R and CD-RW. When using CD-RW, use full format rather than quick format to prevent malfunction.

Acceptable Disc Formats

The following formats are available for the media used in this unit. The maximum number of characters used for file name including the delimiter (".") and three-character extension are indicated in parentheses.

- ISO 9660 Level 1 (11 characters)
- ISO 9660 Level 2 (31 characters)
- Joliet (31 characters)
- Romeo (31 characters)

Up to 200 characters can be displayed in the long file name format. For a list of available characters, see the instruction manual of the writing software and the section "Entering File and Folder Names" below. The media reproducible on this unit has the following limitations:

- Maximum number of nested folders: 8
- Maximum number of files per disc: 999
- Maximum number of folders per disc: 255

MP3/WMA written in formats other than those listed above will not play successfully and their file names or folder names will not be displayed properly.

MP3/WMA Encoder and CD Writer Settings

Use the following settings when compressing audio data in MP3 data with the MP3 encoder.

- Transfer bit rate: 32 - 320 kbps
- Sampling frequency: 32, 44.1, 48kHz (WMA) and 16, 22.05, 24, 32, 44.1, 48kHz (MP3)

When using a CD writer to record MP3/WMA up to the maximum disc capacity, disable additional writing. To record an empty disc up to the maximum capacity at once, select the "disc at once" option.

Entering ID3 Tag

This unit supports ID3 tag versions 1.0 and 1.1. For the character codes, refer to the table below.

	0	1	2	3	4	5	6	7	8	9	A	B	C	D	E	F
0				@	P	`	p				■	°	À	Đ	à	đ
1			!	1	A	Q	a	q			ı	±	Ā	Ñ	ā	ñ
2			"	2	B	R	b	r			ç	²	Ā	Ö	ā	ö
3			#	3	C	S	c	s			ç	³	Ā	Ō	ā	ó
4			\$	4	D	T	d	t			□	´	Ā	Ō	ā	ô
5			%	5	E	U	e	u			¥	µ	Ā	Ō	ā	õ
6			&	6	F	V	f	v			¦	¶	Ā	Ō	æ	ö
7			'	7	G	W	g	w			§	·	Ā	Ō	ç	±
8			(8	H	X	h	x			¸	†	Ā	Ō	è	ø
9)	9	I	Y	i	y			©	¹	Ā	Ō	é	ù
A			+	:	J	Z	j	z			¸	²	Ā	Ō	ê	ú
B			+	:	K	[k	{			«	»	Ā	Ō	ë	û
C			<	L	\		l				→	¼	Ā	Ō	ì	ü
D			-	=	M]	m	}			©	½	Ā	Ō	í	ý
E			.	>	N	^	n	~			©	¾	Ā	Ō	î	ÿ
F			/	?	O	_	o	■			—	˘	Ā	Ō	ï	ÿ

Entering File and Folder Names

Names using the code list characters are the only file names and folder names that can be entered and displayed. Other characters will not display correctly. The unit recognizes and plays only files with the MP3/WMA extension.

NOTE: A file name entered with characters not on the code list may not play correctly.

Writing Files into a Disc

When a disc containing MP3/WMA data is loaded, the unit checks all data. If the disc contains many folders or non-MP3/WMA files, MP3/WMA play will be delayed, it may take time for the unit to move to the next file, and searches may not be performed smoothly. Loading such a disc may produce loud noise and cause damage to the speakers.

NOTE: Do not attempt to play a disc containing a non-MP3/WMA file with the MP3/WMA extension or a disc containing non MP3/WMA files.

Electronic Shock Protection

- 10 seconds for CDDA (CDA)
- 60 seconds for MP3/WMA recorded at 44.1kHz, 128kbps

Bit Rates

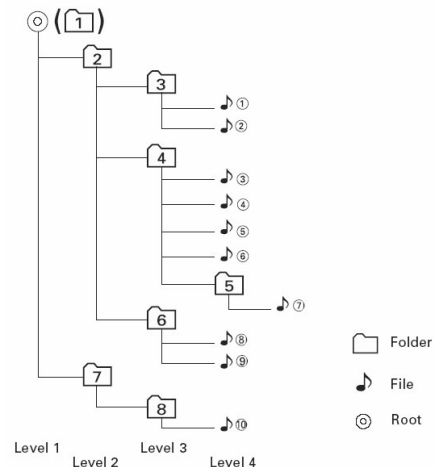
The unit supports bit rates from 32 - 320 kbps.

File Playing Order

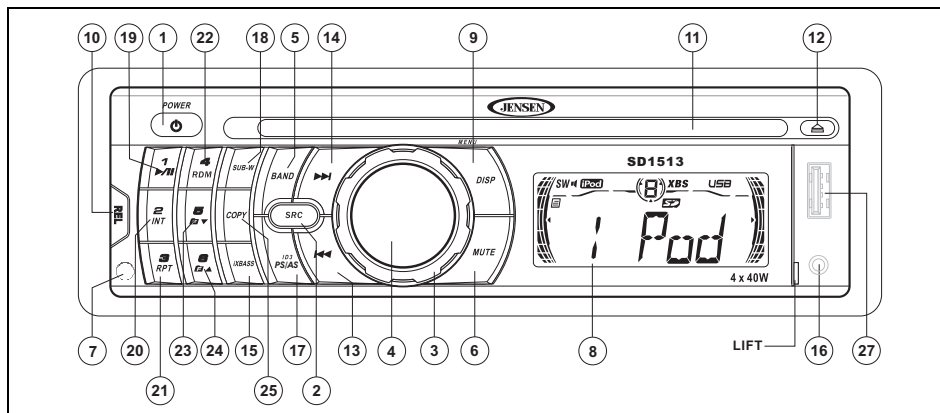
When selected for play, files and folders (Folder Search, File Search or Folder Select) are accessed in the order they were written by the CD writer. As a result, the order in which they are expected to be played may not match the order in which they are actually played.

You may be able to set the order in which MP3/WMA are to be played by writing them onto a disc such as a CD-R with their file names beginning with play sequence numbers such as "01" to "99".

For example, a disc with the following folder/file hierarchy is subject to Folder Search, File Search or Folder Select as shown below.



MP3/WMA OPERATION



Pause

Press the **1 >||** button (19) to suspend disc play. Press the play/pause button again to resume play.

Track Select

Press the **>>|** (14) or **|<<<** (13) button for less than one second to advance to the next track on the disc, or *press and hold* to fast forward or fast reverse through the disc. Disc play starts when the button is released.

Navigating Folders

Press the **5 V** and **6 A** buttons (23, 24) to select the next or previous folder/directory.

Intro Scan (INT)

During disc play, press the **2 INT** button (20) to play the first 10 seconds of each track on the disc. When the desired track is reached, press **2 INT** again to end the scan and play the selected track.

Repeat (RPT)

Press the **3 RPT** button (21) to repeatedly play the current file. Press **3 RPT** again to resume normal playback.

Random (RDM)

Press the **4 RDM** button (22) to randomly play all files on the disc. Press **4 RDM** again to resume normal playback.

MP3/WMA File or Folder Search

The unit offers two methods of searching for files or folders:

Direct File Number Search

Press the **BAND** button (5). The LCD will display "Number". Turn the **AUDIO CONTROL** to select the desired track number, then press the **AUDIO CONTROL** to confirm and play the selected file.

Navigation Search

Press the **BAND** button (5) twice. The LCD will display "File". Turn the **AUDIO CONTROL** to navigate through all folders and sub-folders on the disc. The folder names will be displayed on the LCD. Press the **AUDIO CONTROL** to access the sub-folders or files. Turn the **AUDIO CONTROL** to navigate, then press the select knob to confirm and begin file play. During navigation search, turn the **AUDIO CONTROL** counter-clockwise to return to the previous folder level.

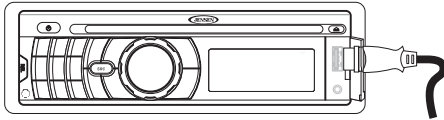
Display Information

Press the **DISP** button (9) to display the clock or available ID3 information, as follows: song title, directory name, artist name, etc.

USING A USB DEVICE OR SD CARD

Loading a USB Device

USB devices can be played through the USB connector on the front panel. To access files on a USB device, insert the USB device as indicated below:



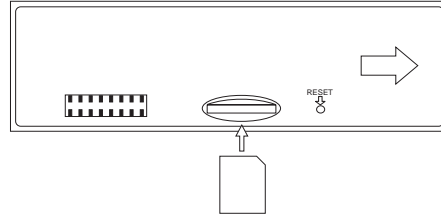
After inserting a USB device containing MP3 or WMA files, "USB HOST" appears on the display and the unit will automatically scan the card for music files and begin playback.

To eject the USB device, press the **SRC** button (2) to select a different source. Pull the USB device straight out and return the cover to the closed position.

Loading an SD Card

To insert an SD card, you must first remove the front panel to reveal the SD card slot (see "Front Panel Release" on page 4). Insert your

SD Card as illustrated below and then reinstall the front panel.



After inserting an SD card containing MP3 or WMA files, "SD/MMC" appears on the display and the unit will automatically scan the card for music files and begin playback.

To eject the SD card, remove the front panel and then press in on the SD card to release it. Pull the SD card straight out and replace the front panel.

Navigating Files

Please refer to "MP3/WMA Operation" on page 12 for information regarding directory navigation and file searching.

Copying Music

Your SD1513 is equipped with a Copy feature that allows you to copy an MP3 or WMA file to an SD/MMC card or USB device. To copy music, perform the following steps:

1. Insert a disc and select the track you would like to copy.
2. Press the **COPY** button (25) to activate the Copy feature.
3. Turn the **AUDIO CONTROL** (3) to select the USB or CARD (SD/MMC) source.
4. Press the **AUDIO CONTROL** button (4) to begin copying.
 - The unit will begin copying the current file, starting at the beginning of the track. The LCD will display ">>> ##". Copying will stop at the end of the file.
 - The recorded information is stored in a folder named "MY_MP3" or "MY_WMA" on the destination source.
 - Copying will stop and the unit will display "Memory Full" if the selected storage device is full.

To stop copying before the file is complete, press the **COPY** button. The LCD will display "STOP" and the incomplete track will be deleted from the destination folder.

NOTE: Never remove a USB device during recording or music transfer. This may damage the device or cause the system to lock up. Do not switch modes or turn the radio power or ignition off while recording.

Erasing Copied Files

You can erase copied files from a USB device or SD/MMC card while the file is playing, or after selecting the file in Number Search or Navigation Search mode. To erase a file, perform the following steps:

1. Press and hold the **BAND** button (5) to activate the Erase function. The LCD will display "ERASE 010".
2. Press the **AUDIO CONTROL** button (4) to select Erase mode.
3. Turn the **AUDIO CONTROL** (3) and select "Y" to erase (or select "N" to cancel the erase function).
4. Press the **AUDIO CONTROL** button to confirm. The file will stop playback (if playing) and will be erased. When finished, the system will display "ERASE OK".

File Management

Music recorded or transferred using the SD1513 will be stored in the default folders listed below:

- MY_MP3: Transferred MP3 files.
- MY_WMA: Transferred WMA files.

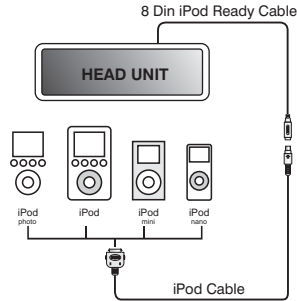
Recorded/transferred music is stored in the corresponding folder and given the following naming convention: "XX0001.MP3", where XX is the name of the source (i.e. SD0001.MP3).

iPod OPERATION

Accessing iPod Mode

This unit is equipped with an iPod ready function that will allow you to control and charge your iPod (if compatible) using the front panel control buttons.

The unit will automatically switch to iPod mode when an iPod is plugged into the iPod cable.



To return to the iPod menu from any other source menu, press the **SRC** button (2) on the front panel or remote control until "iPod" appears on the display.

NOTE: The SD1513 will not select video files regardless of whether or not a video file was the last file playing when the iPod was plugged into the radio. Only music files are supported.

Turning the iPod On/Off

The iPod power turns on automatically when the iPod is connected to 30-pin iPod cable, as long as the automobile ignition is turned on. You can turn the iPod off by disconnecting it from the cable or by turning the ignition off. When the ignition is turned off, the iPod will pause and then enter sleep mode after 2 minutes. The iPod cannot be turned on/off from the iPod itself while connected.

NOTE: The iPod will continuously recharge when connected to unit, as long as the vehicle ignition is turned on.

Viewing Playback Information

Press the **PS/AS** button (17) to display iPod playback information in the following order:

- Song Title
- Artist
- Album Name

- Elapsed Time

Play/Pause

Press the **1 >||** button (19) to suspend or resume play.

Track Selection

Select a Track

Press the **>>|** (14) or **|<<** (13) button for less than 1 second to advance to the next song in the current folder.

Fast Forward / Fast Reverse

Press and hold the **>>|** (14) or **|<<** (13) button for more than 1 second to fast forward or fast reverse. Playback begins when the button is released.

Repeat (RPT)

Press the **3 RPT** button (21) during disc play to continuously repeat the selected song. Press **3 RPT** again to stop the repeat function.

Press and hold the **3 RPT** button (21) for more than 3 seconds to continuously repeat the entire album/folder. Press and hold **3 RPT** again to stop the repeat function.

Shuffle (RDM)

Press the **4 RDM** (22) button to randomly play all files in the current folder/album. Press **4 RDM** again to resume normal play. *Press and hold 4 RDM* for more than three seconds during iPod playback to randomly play the songs in all folders. Press **4 RDM** again for more than three seconds to resume normal play.

Searching Mode

During iPod playback mode, press the **BAND** button (5) to enter iPod Searching Mode. Press the **BAND** button repeatedly to access search modes in the following order:

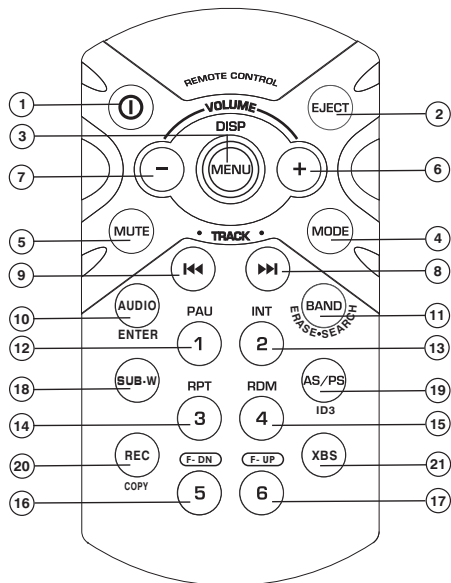
- Playlist
- Artist
- Album
- Song
- Genre

After selecting the desired search mode, press the **AUDIO CONTROL** button (4) within 10 seconds to confirm the search mode. Rotate the rotary encoder knob to navigate through the Album, Artist or Songs contained on your iPod. Press the **AUDIO CONTROL** to play the selected song. During the searching mode, press **PS/AS** to quickly return to the top level of the Album, Playlist, Genre, etc.

REMOTE CONTROL

The remote control will allow you to control the basic functions of the SD1513.

The remote control sensor is located on the left side of the front panel to the left of the **3 RPT** button (21).



KEY	SYSTEM		TUNER		CD/MP3/WMA		iPod	
	Short Press	Long Press	Short Press	Long Press	Short Press	Long Press	Short Press	Long Press
1	Power							
2					Eject			
3	Display	Menu						
4	Mode							
5	Mute							
6	Volume Up							
7	Volume Down							
8			Seek Up	Tune Up	Track/File Up	Fast Forward	File Up	Fast Forward
9			Seek Down	Tune Down	Track/File Down	Fast Reverse	File Down	Fast Reverse
10	Audio Menu				Enter		Enter	
11			Band		File/Folder Search	File Erase	iPod Search	
12			M1	Memory 1	Pause/Play		Pause/Play	
13			M2	Memory 2	Intro	Folder Intro		
14			M3	Memory 3	Repeat	Folder Repeat	Repeat	Album Repeat
15			M4	Memory 4	Random	Random Folder	Shuffle	Album Shuffle
16			M5	Memory 5	Folder Down			
17			M6	Memory 6	Folder Up			
18	Subwoofer on/off							
19			PS	AS	ID3		Info	
20	Record/ Copy							
21	iX-Bass on/off							

CARE AND MAINTENANCE

CD Player

The following guidelines will help you extend the life of your CD player:

1. When cleaning the vehicle interior, do not get water or cleaning fluids on the unit.
2. The CD player will not operate properly in extreme hot/cold or under damp conditions. In case of such conditions, wait until the vehicle interior reaches a normal temperature or any condensation on the disc player lens has evaporated before using the player.
3. Never insert anything other than round 5" CDs into the player. Attempting to insert CDs of other sizes (even with an adaptor) will cause damage not covered by the warranty.
4. Always remove the CD when the player is not in use.
5. The unit is designed with a vibration dampening CD mechanism to minimize interruption of disc play due to normal vibration in a moving vehicle. However, occasional sound skips may occur when driving on very rough roads. This will not scratch or damage the disc, and normal play will resume when the rough conditions cease.

Compact Discs

CD-R / CD-RW

Depending on media type and method of "recording / burning", some CD-R/RWs may be incompatible with this unit. After "recording / burning" **the session must be closed**. Please refer to your software's recommended procedures for closing a disc / session. Review your recording software to familiarize yourself with the correct "recording / burning" procedures. We recommend using the latest versions of ROXIO™ or NERO™ burning software.

In addition, **this unit will only recognize the CDDA (Compact Disc Digital Audio), .MP3 and .WMA formats** "recorded / burned" onto a CD-R/RW. **This unit does not support .WAV, .OGG or other formats.**

CD Care and Handling

Dirt, dust, scratches and warpage can cause skips in the playback and deterioration of sound quality. Please follow these guidelines to take care of your compact discs.

1. Carefully wipe fingerprints, dust and dirt from the disc's playing surface with a soft cloth. Wipe in a straight motion from the inside to the outside of the disc.

2. Never use chemicals such as record sprays or household cleaners to clean CDs, as they can irreparably damage the disc's surface.
3. Discs should be kept in their storage cases when not in use.
4. Do not expose discs to direct sunlight, high temperatures or high humidity for long periods.
5. **Do not stick paper, tape or CD labels on disc surfaces, as internal damage may occur.**

TROUBLESHOOTING

Problem	Cause	Corrective Action
Does not operate (display does not light)	No power to yellow wire; no power to red wire	Check connection with test light; check vehicle fuse with test light.
	Inline fuse blown	Replace fuse.
No power to unit	Inline fuse blown	Check/replace fuse.
Not all speakers operate	Incorrect splices or connections	Check all splices and connections.
	Speaker wires shorting to chassis ground or to each other	Check splices; insulate all bare wires.
Blows fuses	Power wire shorting to ground	Make sure wire is not pinched.
	Speaker wires shorting to ground	Make sure wire is not pinched.
	Incorrect fuse or fuse too small	Install fuse of correct rating.
CD skips too much	Receiver mount is not solid or backstrap is not secure	Check mounting and backstrap; tighten if needed.

SPECIFICATIONS

CEA Power Ratings



Power output: 13 watts RMS X 4 channels into 4-ohms @ \leq 1% THD+N
 Signal to noise ratio: 70dBA below reference.
 (Reference: 1 watt, 4-ohms)
 Frequency response: 20Hz to 20kHz (-3dB),
 Auxiliary input used as source reference
 Reference supply voltage: 14.4VDC

CD Player

Signal-to-noise ratio: >90dBA
 Frequency response: 20Hz-20kHz, -3dB
 Channel separation: >55dB @ 1kHz
 D/A converter: 1 Bit/CH

FM Tuner

Tuning range (USA): 87.5MHz - 107.9MHz
 Tuning range (Europe): 87.50MHz-108.00MHz
 Mono sensitivity: 12dBf
 50dB quieting sensitivity (stereo): 16dBf
 Stereo separation @ 1kHz: >35dB

Frequency response: 30Hz-14kHz. \pm 3dB

AM Tuner

Tuning range (USA): 530 kHz - 1710 kHz
 Tuning range (Europe): 522kHz-1620kHz
 Sensitivity @ 20dB signal to noise: 30uV
 Frequency response: 50Hz-2kHz., -3dB

Auxiliary Input

Input sensitivity: 400mV RMS for 1 watt RMS into 4-ohms
 Frequency response: 20Hz to 20kHz, -3dB
 Input impedance: 10 k-ohms

General

Power supply: 11-16 VDC, negative ground
 Power Antenna (Blue): 500mA Max, current limited protection.
 Operating Temp: -10C~60C
 Fuses: 15 amp fast blow ATO
 DIN chassis dimensions: 2"H x 7"W x 7"D
 (51mm x 178mm x 178mm)

Specifications subject to change without notice.

For instructions in English, see page 1.

Pour des instructions en Français, référez-vous à la page 45.

INTRODUCCIÓN

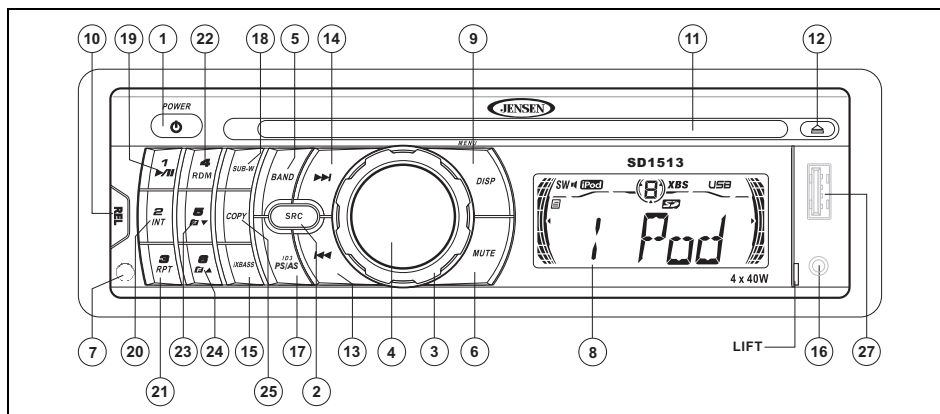
Contenido

Instrucciones de Funcionamiento.....	24
Operación de Sintonizador.....	28
Operación del Reproductor de CD.....	30
Requisitos de Archivo MP3/WMA	32
Operación de MP3/WMA.....	35
Cómo usar un Dispositivo USB o Tarjeta SD.....	37
Operación de iPod.....	39
Control Remoto	41
Cuidado y Mantenimiento.....	42
Resolución de Problemas	43
Especificaciones.....	44

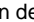
Línea Gratuita de Asistencia de Instalación

Si requiere asistencia, contacte al Soporte Técnico al 1-800-323-4815 de 9:00am a 6:00pm EST De Lunes a Viernes (sólo EE.UU. y Canadá).

INSTRUCCIONES DE FUNCIONAMIENTO



Encendido

Presione el botón de Encendido  (1) o cualquier otro botón en el frente del receptor para encender la unidad cuando el interruptor de encendido está en ON. Presione el botón de encendido (1) nuevamente para apagar la unidad. Si la radio quedó encendida cuando se apagó el encendido, el receptor encenderá automáticamente cuando el interruptor de encendido se vuelve a colocar en ON. Si el receptor estaba apagado cuando se apagó el encendido, el receptor debe encenderse manualmente cuando reanuda el vehículo.

Fuente

Presione **SRC** (2) para seleccionar un modo distinto de funcionamiento como se indica en el panel de muestra. Las fuentes disponibles incluyen Sintonizador, CDS, USB, y entrada Auxiliar. Durante la operación de reproductor de CD, presionando **SRC** cambiará a la fuente de sintonizador si expulsa el disco. Para acceder la fuente de Entrada Auxiliar, presione el botón **SRC** hasta que se indique "AUX" en la pantalla.

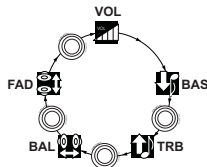
Volumen

Para aumentar el volumen, girar el **CONTROL DE AUDIO** (3) en sentido horario. Para disminuir el volumen, girar el **CONTROL DE AUDIO** en sentido anti horario. Cuando se ajusta el volumen, el nivel de volumen se mostrará en el panel de pantalla como un número que varía desde "00" (más bajo) a "46" (más alto).

Seleccionar

Presione el botón **CONTROL DE AUDIO** (4) para pasar por el menú de funciones de audio:

volumen (VOL), graves (BAS), agudos (TRB), balance (BAL), fader (FAD), y volumen (VOL). Cuando ajusta funciones de audio, la unidad automáticamente saldrá del modo seleccionar y volver a la muestra normal después de cinco segundos o cuando otra función se activa.



Graves

Presione el botón **CONTROL DE AUDIO** (4) dos veces hasta que aparezca "BAS" en la pantalla. Dentro de los cinco segundos, gire el **CONTROL DE AUDIO** (3) en sentido horario o anti horario para ajustar los graves de "-6" a "+6". "0" representa una respuesta plana. El nivel de graves es mostrado en la pantalla por cinco segundos o hasta que se active otra función.

Agudos

Presione el botón **CONTROL DE AUDIO** (4) tres veces hasta que aparezca "TRB" en la pantalla. Dentro de los cinco segundos, gire el **CONTROL DE AUDIO** (3) en sentido horario o anti horario para ajustar los agudos de "-6" a "+6". "0" representa una respuesta plana. El

nivel de agudos es mostrado en la pantalla por cinco segundos o hasta que se active otra función.

Balance

Presione el botón **CONTROL DE AUDIO** (4) cuatro veces hasta que aparezca "BAL" en la pantalla. Dentro de los cinco segundos, gire el **CONTROL DE AUDIO** (3) en sentido horario (o anti horario) para ajustar el Balance entre los parlantes derecho e izquierdo de "BAL R12" (todo a la derecha) o "BAL L12" (todo a la izquierda). "BAL C00" representa un nivel de balance igual entre los parlantes derecho e izquierdo. La posición de balance es mostrada en la pantalla por cinco segundos o hasta que se active otra función.

Fader

Presione el **CONTROL de AUDIO** (4) cinco veces hasta que aparezca "FAD" en la pantalla. Dentro de los cinco segundos, gire el **CONTROL DE AUDIO** (3) en sentido horario o anti horario para ajustar el Balance entre los parlantes frontales o traseros de "FAD R12" (todo atrás) o "FAD F12" (todo al frente). "FAD C00" representa un balance igual entre los parlantes delanteros y traseros. La posición de fader es mostrada en la pantalla por cinco segundos o hasta que se active otra función.

Menú de Sistema

Presione y mantenga el botón **DISP** (9) para

ver el sistema "MENÚ" Presione repetidamente el botón **DISP** o use los botones >>| (14) o |<< (13) para acceder las siguientes opciones el MENÚ.

Reloj (CLK)

Gire el **CONTROL DE AUDIO** a la izquierda para ajustar las horas y a la derecha para ajustar los minutos.

ÁREA

Gire el **CONTROL DE AUDIO** para seleccionar el espaciado de frecuencia adecuado para su área. USA (EE.UU), LAT (América Latina), EUR (Europa), o RUS (Rusia).

DISTANTE/LOCAL

Esta función es usada para designar la fuerza de las señales en las cuales la radio se detendrá durante la sintonía automática. "Distante" es la fijación predeterminada, permitiendo que la radio se detenga en un rango de señales más amplio. Para fijar a la unidad para seleccionar sólo las estaciones locales fuertes durante la sintonía automática, gire el **CONTROL DE AUDIO** para elegir "Local".

P-VOL (00-46)

Use la opción "VOL PGM" para seleccionar el volumen predeterminado que la radio asumirá en principio cuando se encienda. Para programar un nivel de volumen inicial

específico, gire el **CONTROL DE AUDIO** para seleccionar el nivel deseado.

NOTA: Si el P-Vol estoa fijado más alto que el volumen seleccionado cuando se apagó la unidad, la unidad volverá al volumen más bajo cuando se encienda de nuevo - no al P-Vol.

BEEP ON/OFF

La función de tono beep permite la selección de un tono beep audible para ser escuchado cada vez que es presionado un botón en el frente de la radio. Girar el **CONTROL DE AUDIO** para seleccionar entre las siguientes opciones de Tono Beep:

- BEEP ON: se escucha un beep cada vez que es presionado un botón (función activada)
- BEEP OFF: No se escucha el Beep.

iX-BASS

Presione el botón **iXBASS** (15) para activar la función iXBASS. Cuando escucha música a volúmenes bajos, esta función reforzará los rangos de graves y agudos para compensar las características de la audición humana. Presione **iXBASS** nuevamente para desactivar esta función.

Subwoofer

Presione el botón **SUB-W** (18) para activar la función Subwoofer. Presione nuevamente para apagar la función Subwoofer.

NOTA: La función Subwoofer sólo funciona cuando se conectan un amplificador externo y un subwoofer vía la conexión de línea de salida Sub en la parte trasera de la unidad.

Silenciar Audio (MUTE)

Presione el botón **MUTE** (6) para silenciar el volumen de audio. "MUTE" parpadea en la pantalla. Restaurar el volumen a la fijación previa presionando el botón mute nuevamente, ajustando el **CONTROL DE AUDIO**.

Pantalla de Cristal Líquido (LCD)

El panel de pantalla de cristal líquido (LCD) (8) muestra la frecuencia, hora y funciones activadas de la unidad.

NOTA: Después de estar sujeta a temperaturas frías, los paneles LCD pueden tomar más tiempo para responder y la visibilidad de los números en el LCD podría disminuir ligeramente. La pantalla LCD volverá a normal cuando la temperatura aumenta a valores normales.

Pantalla (DISP)

Cuando la unidad está encendida, el LCD muestra automáticamente la pantalla para la fuente de funcionamiento actual.

Cuando la unidad está encendida, presione el botón **DISP** (9) para mostrar la hora del día. Después de cinco segundos, la pantalla vuelve a la fuente actual.

Entrada Auxiliar

Levante la cubierta en el lado derecho de la radio para destapar el conector **AUX IN** (16). Use el cable de medios de 3.5mm incluido para conectar el dispositivo portátil para reproducción a través del sistema de sonido del vehículo.

Liberación del Panel Frontal

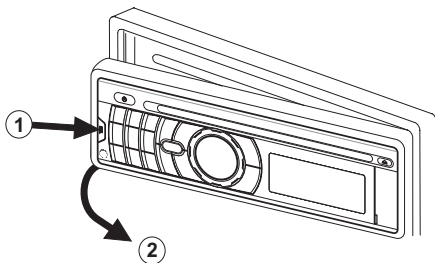
El Botón **REL** del panel frontal (10) libera el mecanismo que mantiene el panel frontal en el chasis.

Cómo Sacar el Panel Frontal

Para quitar el panel frontal, primero presione el botón **REL** (10) para liberar el lado izquierdo del panel. Luego, tomar el lado liberado y tire del panel sacándolo del chasis. Después de quitar el panel frontal, guardarlo en el estuche

provisto para transporte para protegerlo del polvo y daños.

QUITAR EL PANEL FRONTAL

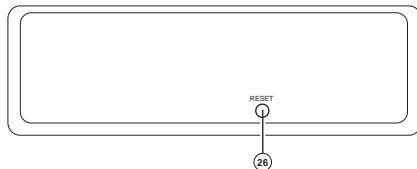


Re-Colocando el Panel Frontal

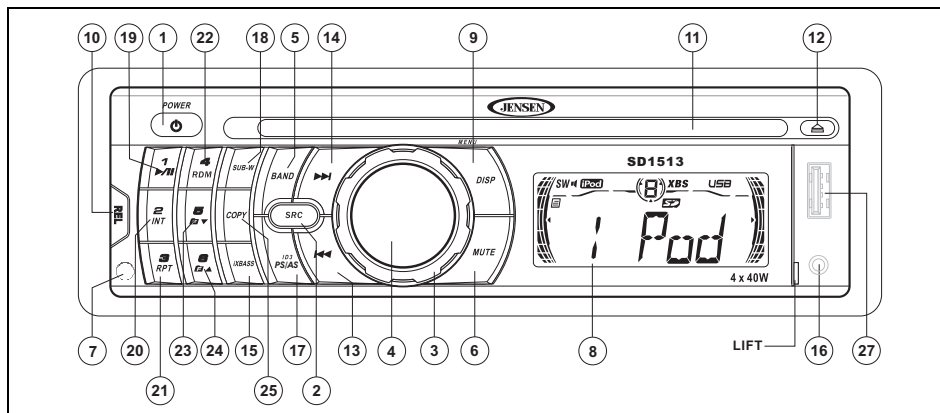
Para volver a colocar el panel frontal, asegúrese que los terminales eléctricos en la parte trasera del panel están libres de polvo y suciedad, como partículas podrían producir un funcionamiento intermitente u otras fallas. Posicione el lado derecho del panel en su lugar hasta que enganche correctamente, y luego presione ligeramente el lado izquierdo del panel hasta que el mecanismo se bloquee en el lugar.

Botón de Restaurar

El botón de restaurar (26) está ubicado en el frente del chasis y sólo puede accederse con el panel frontal removido. El circuito de restauración protege el circuito del microprocesador. Dado que el restaurar la unidad borrará la hora y las memorias preseleccionadas, sólo debería activarse luego de la instalación inicial después de haber completado el cableado, o si hay algún mal funcionamiento de alguno de los interruptores de la unidad. En estos casos, el presionar el botón restaurar limpiará el sistema y volverá la unidad al funcionamiento normal.



OPERACIÓN DE SINTONIZADOR



Selector de Banda AM/FM (BAND)

Presione el botón **BAND** (5) durante la reproducción de radio para intercambiar entre tres bandas de FM y dos bandas AM. "F1", "F2", "F3" o "AM", "AM2" aparecerá en la pantalla para indicar la banda actualmente seleccionada.

Sintonizador

Sintonización Automática

Presione el botón **>>|** (14) para sintonizar hacia arriba en frecuencia y el botón **|<<** (13) para

sintonizar hacia abajo en frecuencia. La unidad se detendrá en la próxima estación fuerte. Si está activo el modo local, la radio buscará la próxima estación local fuerte cuando cualquiera de los botones es presionado.

Sintonizado Manual

Presione el botón **>>|** (14) o **|<<** (13) por más de dos segundos para seleccionar el modo de sintonización manual. "MANUAL" aparecerá en la pantalla. Presione los botones de sintonización Arriba o Abajo para mover la frecuencia de radio dos dígitos arriba o abajo a la vez. Presione y mantenga los botones Arriba

o Abajo para avanzar rápidamente a una frecuencia determinada. Liberar cuando se alcanza la frecuencia deseada. Si la sintonía no es ajustada dentro de los cinco segundos de haber ingresado al modo de sintonización manual, la radio volverá a sintonización automática y aparecerá en la pantalla "AUTO".

Estaciones Prefijadas

Pueden almacenarse hasta seis estaciones en cada banda como predeterminadas que luego pueden recuperarse presionando el botón de predeterminada asociada en el panel frontal

(19-24) o el control remoto. Para almacenar una estación encienda la radio y seleccione la banda y estación deseada. *Presione y mantenga pulsado* el botón predeterminado deseado (numerado de una a seis en el frente de la radio o el control remoto) por más de dos segundos. Cuando se almacena, el número prefijado aparecerá en la pantalla. Ahora la estación está almacenada y puede volver a llamarse en cualquier momento presionando el botón predeterminado correspondiente. Repetir para las restantes cinco predeterminadas en la banda actual y para todas las predeterminadas en las otras tres bandas.

Explorar Predeterminadas / Almacenar Automáticamente (PS/AS)

Almacenamiento Automático

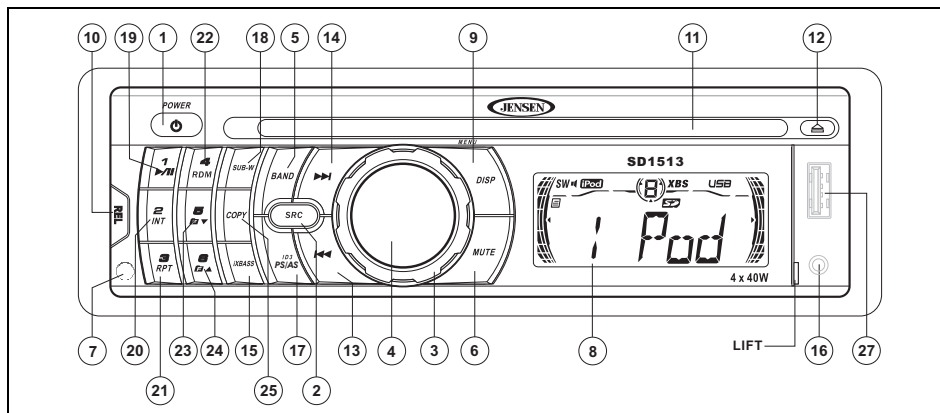
Selecciona seis estaciones fuertes y las almacena para la banda actual usando la función de Almacenamiento Automático. Para activar esta función, *presione y mantenga* el botón **PS/AS** (17) por más de dos segundos. La radio explorará automáticamente cada banda e ingresará las estaciones fuertes dentro de las posiciones de memoria predeterminadas. Después de ingresar las estaciones en memoria, la unidad se detendrá automáticamente en cada estación por cinco segundos para que cada una pueda oírse. Cuando usa la función Almacenamiento

Automático, las nuevas estaciones reemplazarán cualquier estación ya almacenada en la memoria de predeterminados.

Buscar Prefijadas

Presione el botón **PS/AS** (17) para explorar las seis estaciones predeterminadas en la banda de AM o todas las bandas de FM. La unidad se detendrá en cada estación por cinco segundos antes de continuar a la siguiente estación predeterminada, y el número de predeterminada parpadeará en la pantalla durante la exploración de predeterminadas. Presione **SCAN** nuevamente para detener la exploración y reproducir la estación actual.

OPERACIÓN DEL REPRODUCIDOR DE CD



NOTA: La unidad está diseñada para reproducir sólo discos compactos estándar de 5" (12 cm). No intente usar CD simples de 3" (8 cm) en esta unidad, con o sin adaptador, dado que se podría producir el daño del reproductor y/o disco. Tales daños no estarán cubiertos por la garantía de este producto.

Insertar CD

Con la superficie de etiqueta hacia arriba inserte suavemente el disco dentro de la ranura de CD (11) hasta que enganche el mecanismo de carga y tome el disco. Comienza la reproducción del disco. Aparece en la pantalla el número de pista y el tiempo transcurrido.

Selección de Pista

Las funciones de seleccionar pista son usadas para acceder rápidamente el comienzo de una pista particular cuando hay un disco en reproducción. Presione el botón >>| (14) para

mover hacia adelante o el botón |<< (13) para mover hacia atrás en el disco para ubicar una pista deseada. Los números de pista aparecerán en la pantalla a medida que son accedidos.

Presione y mantenga el botón >>| o |<< para avance rápido o retroceso rápido a través del disco. Durante ambas funciones, aparecerá el tiempo restante en pantalla. Liberar el botón para volver a la reproducción del CD.

Reproduce/Pausa

Presione el botón play/pause (19) para suspender la reproducción del disco. "PAUSE" aparecerá en la pantalla. Presione el botón play/pause nuevamente para volver la reproducción del disco. La indicación "S-PAUSE" desaparecerá de la pantalla, y se volverá a la reproducción desde el punto de pausa.

Búsqueda de Ingreso a Disco (INT)

Durante la reproducción del disco, presione el botón **2 INT** (20) para reproducir los primeros 10 segundos de cada pista en el disco. "INT" aparecerá en la pantalla. Cuando se alcanza la pista deseada, presione nuevamente **2 INT** para finalizar la exploración y reproducir la pista seleccionada. "INT" desaparecerá de la pantalla. La función exploración también se cancelará cuando se activan las funciones de repetición o aleatorio.

Repetir Disco (RPT)

Presione el botón **3 RPT** (21) durante la reproducción del disco para repetir continuamente la canción seleccionada. "RPT" aparecerá en la pantalla. Presione **3 RPT** nuevamente para detener la repetición. "RPT" desaparecerá de la pantalla, y se volverá a la reproducción normal. La función repetición también se cancelará cuando se activan las funciones de repetición o aleatorio.

Aleatorio (RDM)

Presione el botón **4 RDM** (22) durante la reproducción del disco para reproducir todas las pistas en un CD en forma aleatoria "RDM" aparecerá en la pantalla. Presione **4 RDM** nuevamente para detener la reproducción aleatoria. "RDM" desaparecerá de la pantalla, y se volverá a la reproducción normal. La función

aleatoria también se cancelará cuando se activan las funciones de repetición o exploración.

Expulsar Disco

Presione el botón expulsar (12) para detener la reproducción de CD y expulsar el disco. La unidad cambiara la operación de sintonizador o AUX, dependiendo en que modo de operación estaba antes de la reproducción de disco. Si el disco no es quitado de la unidad en 15 segundos, el disco será vuelto a cargar para evitar un daño accidental. La reproducción de disco puede reiniciarse presionando **SRC** (2) para elegir la función reproductor de CD.

Códigos de error del Reproductor de CD

Si se desarrollara un problema durante el funcionamiento del reproductor de CD, un código de error "Disc Error" o "Error 1" podrían aparecer en el panel de pantalla. Si apareciera "Disc Error", intente expulsando y volviendo a cargar el disco dentro del reproductor. Mientras el disco está fuera de la unidad, asegúrese que está limpio y sin daños, y luego cárguelo correctamente. "Error 1" puede indicar un número de problemas con la unidad, incluyendo un error mecánico o un error en el microprocesador de control del reproductor. El presionar el botón restaurar (26) podría ayudar, pero borrará la hora y las memorias

predeterminadas. Si las medidas sugeridas no resuelven el problema, contacte a una estación de garantía aprobada cerca suyo para más asistencia.

REQUISITOS DE ARCHIVO MP3/WMA

Los archivos de música MP3 y WMA (Windows Media Audio) son archivos de audio digital que están comprimidos para permitir más archivos en un solo CD. Esta unidad puede reproducir directamente MP3/WMA de archivos contenidos en un CD-R/RW, dispositivo USB o tarjeta SD usando los botones en el receptor (o el control remoto) como se describe a continuación. Hay varios tipos de software disponible para convertir archivos de audio en formatos MP3/WMA. Phase Linear recomienda *Nero o Roxio Easy CD Creator*. Dependiendo del tipo de medio y método de grabación, algunos CD-R/RWs podrían ser incompatibles con esta unidad. La unidad soporta reproducción de MP3/WMA y CDDA (CDA), CDs Modo Mixed y CD-Extra (incluyendo discos multi sesión), pero **los discos en donde no se cerró la sesión no reproducirán.**

Notas sobre reproducción de MP3/WMA

Esta unidad puede reproducir MP3 (MPEG1, 2, 2.5 Capa de Audio 3). Sin embargo, los medios de grabación de MP3 y los formatos aceptados están limitados. Cuando graba MP3/WMA, preste atención a las siguientes restricciones.

Medios Aceptables

Los medios aceptables de grabación MP3/WMA para esta unidad son CD-ROM, CD-R y CD-RW. Cuando usa CD-RW, use el formato completo en lugar del formato rápido para evitar el mal funcionamiento.

Formatos Aceptables de Disco

Los siguientes formatos están disponibles para los medios usados en esta unidad. El número máximo de caracteres usados para nombre de archivo incluyendo el delimitador (".") y la extensión de tres caracteres están indicados en paréntesis.

- ISO 9660 Nivel 1 (11 caracteres)
- ISO 9660 Nivel 2 (31 caracteres)
- Joliet (31 caracteres)
- Romeo (31 caracteres)

Pueden mostrarse hasta 200 caracteres en el formato de nombre largo de archivo. Para una lista de caracteres disponibles, ver el manual de instrucciones del software de escritura y la sección "Cómo Ingresar Nombres de Archivos y Carpetas" a continuación. El medio reproducible en esta unidad tiene las siguientes limitaciones:

- Numero máximo de carpetas jerarquizadas 8

- Numero máximo de archivos por disco 999
- Numero máximo de carpetas por disco 255

Los MP3/WMA grabados en formatos distintos a los listados anteriormente no se reproducirán satisfactoriamente y sus nombres de archivos no serán mostrados adecuadamente.

Preferencias de Codificador MP3/WMA y Grabador de CD

Use las siguientes preferencias cuando comprime datos de audio en datos MP3 con el codificador de MP3.

- Tasa de Transferencia de Bit: 32 - 320 kbps
- Frecuencia de la Muestra: 32, 44.1, 48kHz (WMA) y 16, 22.05, 24, 32, 44.1, 48kHz (MP3)

Cuando usa un grabador de CR para grabar MP3/WMA hasta la máxima capacidad del disco, desactive escritura adicional. Para grabar un disco vacío hasta la máxima capacidad de una vez, seleccione la opción "disc at once".

Cómo ingresar una Etiqueta ID3

Esta unidad soporta etiquetas ID3 versiones 1.0 y 1.1. Para los códigos de caracteres, refiérase a la siguiente tabla.

	0	1	2	3	4	5	6	7	8	9	A	B	C	D	E	F
0				@	P	`	p				■	°	À	Đ	à	đ
1		!	1	A	Q	a	q				ı	±	Ā	Ń	ā	ń
2		"	2	B	R	b	r				ç	²	Ā	Ń	â	ô
3		#	3	C	S	c	s				ç	³	Ā	Ń	ã	ó
4		\$	4	D	T	d	t				□	´	Ā	Ń	ä	ö
5		%	5	E	U	e	u				¥	µ	Ā	Ń	å	õ
6		&	6	F	V	f	v				¦	¶	Ā	Ń	æ	ö
7		'	7	G	W	g	w				§	•	Ā	Ń	ç	±
8		(8	H	X	h	x				¸	†	Ā	Ń	è	ø
9)	9	I	Y	i	y				©	¹	Ā	Ń	é	ù
A		+	:	J	Z	j	z				ª	²	Ā	Ń	ê	ú
B		,	;	K	[k	{				»	³	Ā	Ń	ë	û
C		.	<	L	\	l					←	¼	Ā	Ń	ì	ü
D		-	=	M]	m	}				©	½	Ā	Ń	í	ý
E		.	>	N	^	n	~				©	¾	Ā	Ń	î	ÿ
F		/	?	O	_	o	■				—	¸	Ā	Ń	ï	ÿ

Cómo ingresar nombres de Archivo y Carpeta

Los nombres que usan los caracteres de lista de código son los únicos nombres de archivo y nombres de carpeta que pueden ingresarse y mostrarse. Los demás caracteres no se mostrarán correctamente. La unidad reconoce y reproduce sólo archivos con la extensión MP3/WMA.

NOTA: Un nombre de archivo ingresado con caracteres que no están en la lista de

código podrían no reproducirse correctamente.

Cómo grabar archivos en un disco

Cuando se carga un disco que contiene datos MP3/WMA, la unidad verifica todos los datos. Si el disco contiene muchas carpetas o archivos no MP3/WMA files, la reproducción MP3/WMA se demorará, podría tomarle tiempo a la unidad para moverse al próximo archivo, y las búsquedas podrían no realizarse suavemente o podría no reproducir nada. El cargar tal disco podría producir ruido fuerte y causar daños a los parlantes.

NOTA: No intente reproducir un disco que contenga archivos no MP3/WMA con la extensión de MP3/WMA o un medio que contenga archivos no MP3/WMA.

Protección Electrónica contra Choque

- 10 segundos para CDDA (CDA)
- 60 segundos para MP3/WMA grabado a 44.1kHz, 128kbps

Velocidades de Transferencia

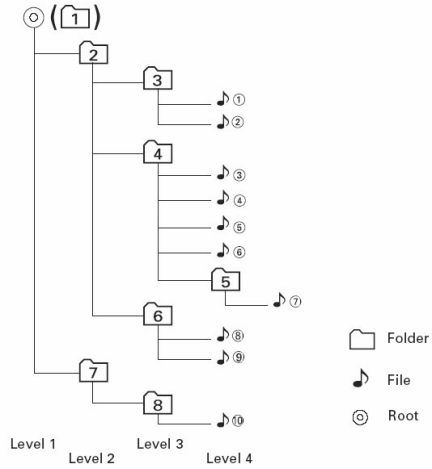
Esta unidad soporta velocidades de transferencia de 32 a 320 kbps.

Orden de Reproducción de Archivo

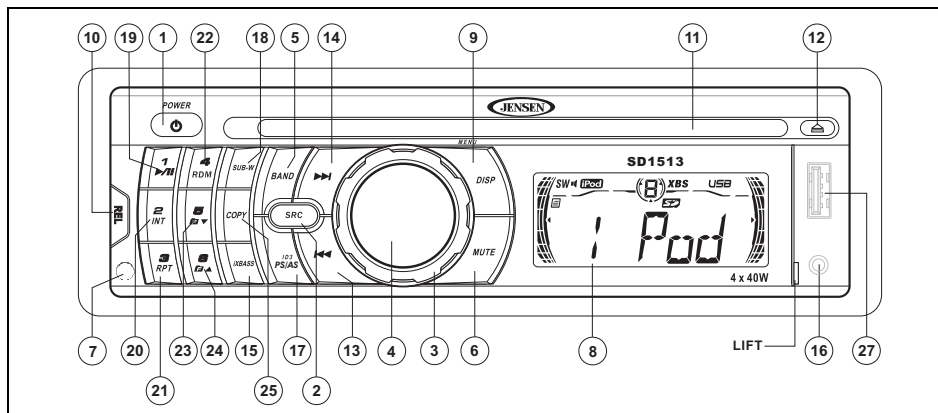
Cuando se seleccionan para reproducción los archivos y carpetas (Búsqueda de Carpeta, Búsqueda de Archivo o Selección de Carpeta) son accedidos en el orden que fueron grabados por el grabador de CD. Como resultado, la orden en cual se espera que sean reproducidos podría no coincidir con el orden en que son realmente reproducidos.

Podría fijar el orden en el cual los archivos MP3/WMA serán reproducidos grabándolos en un disco tal como un CD-R con sus nombres de archivos comenzando con los números de secuencia de reproducción como "01" a "99".

Por ejemplo, un disco con la siguiente organización de carpeta/archivo está sujeto a Búsqueda de Carpeta, Búsqueda de Archivo o Selección de Carpeta, como se muestra a continuación.



OPERACIÓN DE MP3/WMA



Pausar

Presione el botón **1 >||** (19) para suspender la reproducción del disco. Presione el botón reproducir/pausar nuevamente para volver la reproducción.

Selección de Pista

Presione el botón **>>|** (14) o **|<<** (13) por menos de un segundo para avanzar a la próxima pista en el disco, o *presione y mantenga* para avance o retroceso rápido por el disco. La reproducción del disco comienza cuando se libera el botón.

Cómo navegar por Carpetas

Presione los botones **5 V** y **6 Λ** (23, 24) para seleccionar la carpeta/directorio próxima o previa.

Ingresar Búsqueda (INT)

Durante la reproducción del disco, presione el botón **2 INT** (20) para reproducir los primeros 10 segundos de cada pista en el disco. Cuando la pista deseada se alcanza, presione **2 INT** nuevamente para finalizar la búsqueda y reproducir la pista deseada.

Repetir (RPT)

Presione el botón **3 RPT** (21) repetidamente para reproducir el archivo actual. Presione **3 RPT** nuevamente para volver a la reproducción normal.

Aleatorio (RDM)

Presione el botón **4 RDM** (22) para reproducir aleatoriamente todos los archivos en el disco. Presione **4 RDM** nuevamente para volver a la reproducción normal.

Búsqueda de Archivo o Carpeta MP3/WMA

La unidad ofrece dos métodos de búsqueda por archivos o carpetas:

Búsqueda Directa de Número de Archivo

Presione el botón **BAND** (5). El LCD mostrará "Number". Gire el **CONTROL DE AUDIO** para seleccionar el número de pista deseada, luego presione el **CONTROL DE AUDIO** para confirmar y reproducir el archivo seleccionado.

Navegación de Búsqueda

Presione el botón **BAND** (5) dos veces. El LCD mostrará "File". Gire el **CONTROL DE AUDIO** para navegar a través de todas las carpetas y sub-carpets en el disco. Los nombres de carpetas serán mostrados en el LCD. Presione el **CONTROL DE AUDIO** para acceder las sub-carpets o archivos. Gire el **CONTROL DE AUDIO** para navegar, luego presione la perilla seleccionada para confirmar y comenzar la reproducción de archivo. Durante la navegación de búsqueda, gire el **CONTROL DE AUDIO** en sentido anti horario para volver al nivel de carpeta anterior.

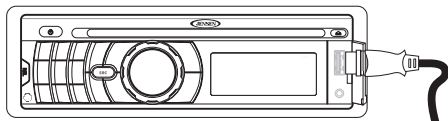
Pantalla de Información

Presione el botón **DISP** (9) para mostrar el reloj o información ID3 disponible, como sigue: título de canción, nombre de directorio, nombre de artista, etc.

COMO USAR UN DISPOSITIVO USB O TARJETA SD

Cómo cargar un Dispositivo USB

Los dispositivos USB pueden reproducirse a través del conector USB en el panel frontal. Para acceder archivos en el dispositivo USB, insertar el dispositivo USB como se indica abajo:



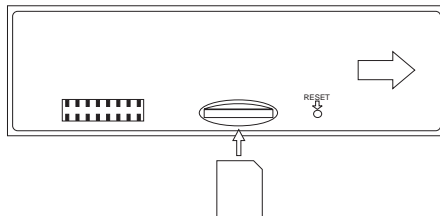
Después de insertar un dispositivo USB que contiene archivos MP3 o WMA, aparece "USB HOST" en la pantalla y la unidad explorará automáticamente la tarjeta por archivos de música y comienza la reproducción.

Para expulsar el dispositivo USB, presione el botón **SRC** (2) para seleccionar una fuente distinta. Tire el dispositivo USB derecho y vuelva al cubierta a la posición cerrada.

Cómo Cargar una Tarjeta SD

PARA insertar una tarjeta SD, primero debe quitar el panel frontal para revelar la ranura de tarjeta SD (ver "Liberación del Panel Frontal" en

página 26). Inserte su Tarjeta SD como se ilustra abajo y luego reinstalar el panel frontal.



Después de insertar una tarjeta SD que contiene archivos MP3 o WMA, aparece "SD/MMC" en la pantalla y la unidad explorará automáticamente la tarjeta por archivos de música y comienza la reproducción.

Para sacar la tarjeta SD, quitar el panel frontal y luego presione la tarjeta SD para liberarla. Tire la tarjeta SD en forma recta y vuelva a colocar el panel frontal.

Cómo Navegar Archivos

Por favor refiérase a "Operación de MP3/WMA" en página 35 información en relación de navegación de directorio y búsqueda de archivo.

Cómo Copiar Música

Su SD1513 está equipado con una función de Copia que le permite copiar archivos MP3 o WMA a una tarjeta SD/MMC o dispositivo USB. Para copiar música, realizar los siguientes pasos:

1. Insertar un disco y seleccionar la pista que desea copiar.
2. Presione el botón **COPY** (25) para activar la función Copia.
3. Gire el **CONTROL DE AUDIO** (3) para seleccionar la fuente USB o CARD (SD/MMC).
4. Presione el botón **CONTROL DE AUDIO** (4) para comenzar a copiar.
 - La unidad comenzara a copiar el archivo actual, comenzando desde el inicio de la pista. El LCD mostrará ">>> ##". La copia se detendrá al final del archivo.
 - La información grabada es almacenada en una carpeta llamada "MY_MP3" o "MY_WMA" en la fuente de destino.
 - La copia se detendrá y la unidad mostrará "Memory Full (memoria llena)" si el dispositivo de almacenamiento seleccionado está lleno.

Para detener la copia antes de que finalice la copia del archivo, presione el botón **COPY** . El LCD mostrará "STOP" y la pista incompleta será borrada de la carpeta de destino.

NOTA: Nunca quite el dispositivo USB durante la grabación o transferencia de música. Esto podría dañar el dispositivo o causar el bloqueo del sistema. No intercambie modos o apague la radio o el encendido mientras está grabando.

Cómo borrar archivos copiados

Puede borrar archivos copiados de un dispositivo USB o tarjeta SD/MMC mientras el archivo se está reproduciendo, o después de seleccionar en archivo en modo Búsqueda de Número o Búsqueda de Navegación. Para borrar un archivo, realizar los siguientes pasos:

1. *Presione y mantenga* el botón **BAND** (5) para activar la función Borrar. El LCD mostrará " ERASE 010".
2. Presione el botón **CONTROL DE AUDIO** (4) para seleccionar el modo Borrar.
3. Gire el **CONTROL DE AUDIO** (3) y seleccione "Y" para borrar (o seleccione "N" para cancelar la función borrar).
4. Presione el botón **CONTROL DE AUDIO** para confirmar. El archivo detendrá la reproducción (si estaba reproduciendo) y

será borrado. Cuando finaliza, el sistema mostrará "ERASE OK".

Administración de Archivos

La música grabada o transferida usando el SD1513 será almacenada en las carpetas predeterminadas listadas a continuación:

- MY_MP3: Archivos MP3 transferidos
- MY_WMA: Archivos WMA transferidos.

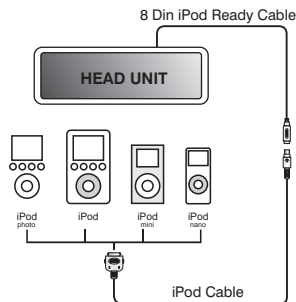
La música grabada/transferida es almacenada en la carpeta correspondiente y se le da la siguiente convención de nombre: "XX0001.MP3", donde XX es el nombre de la fuente (por ejemplo SD0001.MP3).

OPERACIÓN DE iPod

Cómo Acceder al Modo iPod

Esta unidad está equipada con una función lista para iPod que le permitirá controlar su iPod (si es compatible) usando los botones de control del panel frontal.

La unidad cambiará automáticamente a modo iPod cuando un iPod es enchufado dentro del cable iPod.



Para volver al menú iPod desde cualquier otro menú de fuente, presione el botón (2) **SRC** en el panel frontal o el control remoto hasta que aparezca "iPod" en la pantalla.

NOTA: El SD1513 no seleccionará archivos de video sin importar si un video o no fue el último archivo reproducido cuando el

último archivo que se reprodujo cuando el iPod fue enchufado a la radio. Sólo están soportados archivos de música.

Cómo encender/apagar el iPod

El iPod enciende automáticamente cuando se conecta el iPod a un cable iPod de 30 pines, siempre que la llave del automóvil esté en posición de encendido. Puede apagar el iPod desconectándolo del cable o apagando el encendido. Cuando se apaga el encendido, el iPod pausará y luego ingresa a modo dormir después de 2 minutos. El iPod no puede encenderse/apagarse por sí mismo cuando está conectado.

NOTA: El iPod se recargará continuamente cuando está conectado a la unidad, siempre que el encendido del vehículo se enciende.

Información de vista de Reproducción

Presione el botón **PS/AS** (17) para mostrar información de reproducción de iPod en el siguiente orden:

- Título de Canción
- Artista
- Nombre de Álbum

- Tiempo Restante

Reproduce/Pausa

Presione el botón **1 >||** (19) para suspender o reactivar la reproducción.

Selección de Pista

Seleccionar una Pista

Presione el botón **>>|** (14) o **|<<** (13) por menos de 1 segundo para avanzar a la siguiente canción en la carpeta actual.

Avance Rápido/Retroceso Rápido

Presione y mantenga el botón **>>|** (14) o **|<<** (13) por más de 1 segundo para avance o retroceso rápido. La reproducción comienza cuando se libera el botón.

Repetir (RPT)

Presione el botón **3 RPT** (21) durante la reproducción del disco para repetir continuamente la canción seleccionada.

Presione

3 RPT nuevamente para detener la función de repetición.

Presione y mantenga pulsado el botón **3 RPT** (21) por más de 3 segundos para repetir continuamente todo el álbum/carpeta. Presione y mantenga **3 RPT** nuevamente para detener la función repetición.

Aleatorio (RDM)

Presione el botón **4 RDM** (22) para reproducir aleatoriamente todos los archivos en la carpeta/álbum actual. Presione **4 RDM** nuevamente para volver a la reproducción normal. *Presione y mantenga 4 RDM* por más de tres segundos durante la reproducción de iPod para reproducir las canciones en todas las carpetas. Presione **4 RDM** nuevamente por más de tres segundos para volver a la reproducción normal.

Modo de Búsqueda

Durante el modo reproducción de iPod, presione el botón **BAND** (5) para ingresar al modo búsqueda de iPod. Presione el botón **BAND** repetidamente para acceder los modos de búsqueda en el siguiente orden:

- Lista de Reproducción
- Artista
- Álbum
- Canción
- Género

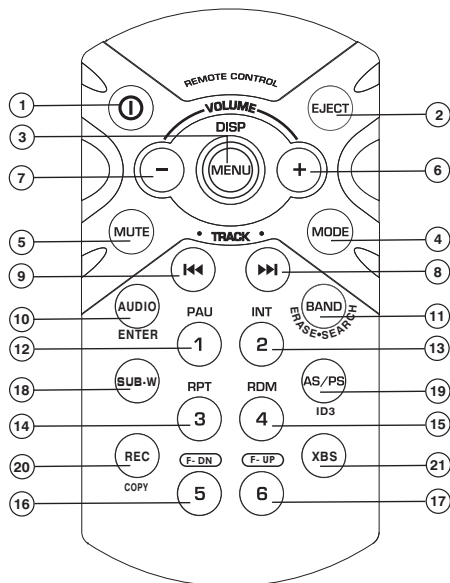
Después de seleccionar el modo de búsqueda deseado, presione el botón **CONTROL DE AUDIO** (4) dentro de los 10 segundos para confirmar el modo búsqueda. Gire la perilla del codificador giratorio para navegar a través de Álbum, Artista o Canciones contenidas en su iPod. Presione el **CONTROL DE AUDIO** para

reproducir la canción seleccionada. Durante el modo búsqueda, presione **PS/AS** para volver rápidamente al nivel superior del Álbum, Lista de Reproducción, Género, etc.

CONTROL REMOTO

El control remoto le permitirá controlar las funciones básicas del SD1513.

El sensor de control remoto está ubicado en el lado izquierdo del panel frontal a la izquierda del botón **3 RPT** (21).



Tecla	SISTEMA		SINTONIZADOR		CD / MP3 / WMA		iPod	
	Pulsación Corta	Pulsación Larga	Pulsación Corta	Pulsación Larga	Pulsación Corta	Pulsación Larga	Pulsación Corta	Pulsación Larga
1	Encendido							
2					Expulsar			
3	Mostrar	Menú						
4	Modo							
5	Silenciar							
6	Subir Volumen							
7	Bajar Volumen							
8			Buscar Arriba	Sintonizar Arriba	Pista/Archivo Arriba	Rápido Adelante	Subir Archivo	Rápido Adelante
9			Buscar Abajo	Sintonizar Abajo	Pista/Archivo Abajo	Retroceso Rápido	Bajar Archivo	Retroceso Rápido
10	Menú Audio				Ingresar		Ingresar	
11			Banda		Búsqueda de Archivo/carpeta	Borrar Archivo	Búsqueda iPod	
12			M1	Memoria 1	Pausar/Reproducir		Pausar/Reproducir	
13			M2	Memoria 2	Ingresar	Ingreso de Carpeta		
14			M3	Memoria 3	Repetir	Repetir Carpeta	Repetir	Repetir Álbum
15			M4	Memoria 4	Aleatorio	Carpeta Aleatoria	Aleatoria	Album Aleatorio
16			M5	Memoria 5	Bajar Carpeta			
17			M6	Memoria 6	Subir Carpeta			
18	Subwoofer encendido/desactiv.							
19			PS	AS	ID3		Info	
20	Grabar/Copiar							
21	iX-Bass encendido/desactiv.							

CUIDADO Y MANTENIMIENTO

Reproductor de CD

Las siguientes guías le ayudarán a extender la vida de su reproductor de CD:

1. Cuando limpia el interior del vehículo, no aplique agua o fluidos de limpieza en la unidad.
2. El reproductor de CD podría no funcionar adecuadamente en calor o frío extremo o bajo condiciones de humedad. En caso de estas condiciones, espere a que el interior del vehículo alcance una temperatura normal o cualquier condensación en los lentes del reproductor de disco se haya evaporado antes de usar el reproductor.
3. Nunca inserte otra cosa que CDs redondos de 5" dentro del reproductor. El intentar insertar CDs de otros tamaños (incluso con adaptador) causará daños no cubiertos por la garantía.
4. Siempre quite el CD cuando el reproductor no está en uso.
5. La unidad está diseñada con un mecanismo atenuador de vibraciones de CD para minimizar la interrupción de la reproducción del disco debido a la vibración normal de un vehículo en movimiento. Sin embargo, podrían producirse saltos de sonido ocasionales cuando maneja en rutas muy rudas. Esto no romperá o dañará el disco, y la

reproducción normal se reasumirá cuando cesen las condiciones rudas.

Discos Compactos

CD-R / CD-RW

Dependiendo del tipo de medio y método de "grabación", algunos CD-R/RWs podrían ser incompatibles con esta unidad. Después de la "grabación/ quemado", **la sesión debe cerrarse**. Por favor refiérase a los procedimientos recomendados por su software para cerrar un disco/sesión. Revise su software de grabación para familiarizarse con los procedimientos correctos de "grabación". Recomendamos la última versión del software de grabación ROXIO™ o NERO™ .

Además, **esta unidad sólo reconocerá formatos CDDA (Disco Compacto de Audio Digital), .MP3 y .WMA** "grabados / quemados" sobre un CD-R/RW. **Esta unidad no soporta .WAV, .OGG u otros formatos.**

Cuidado y Manipulación de CD

La suciedad, polvo, rayones y ondulaciones pueden producir saltos en la reproducción y deterioro de la calidad de sonido. Por favor siga estas guías para cuidar sus discos compactos.

1. Limpie cuidadosamente las impresiones digitales, polvo y suciedad de la superficie de reproducción del disco con un paño

suave. Limpie con movimientos rectos desde el interior al exterior del disco.

2. Nunca use químicos como sprays o limpiadores hogareños para limpiar CDs, dado que pueden dañar irreparablemente la superficie del disco.
3. Los discos deberían mantenerse en sus cajas de almacenamiento cuando no están en uso.
4. No exponga los discos a la luz directa del sol, altas temperaturas o elevada humedad por largos períodos.
5. **No pegue papel, cinta o etiquetas de CD en las superficies del disco, dado que podrían producir daños internos.**

RESOLUCIÓN DE PROBLEMAS

Problema	Causa	Acción Correctiva
No funciona (la pantalla no enciende)	Sin energía en el cable amarillo; sin energía en el cable rojo	Verifique la conexión con una lámpara de prueba; verifique el fusible del vehículo con una lámpara de pruebas.
	Fusible en línea quemado.	Reemplace el fusible.
Sin energía en la Unidad	Fusible en línea quemado.	Verifique/Reemplace el fusible.
No todos los parlantes funcionan	Empalmes o Conexiones Incorrectos	Verifique todos los empalmes y conexiones.
	Cables de parlantes en corto a tierra del chasis o a algún otro parlante	Verifique empalmes, aislar todos los cables desnudos.
Fusibles quemados	Cable de energía en corto a tierra	Asegúrese que los cables no están pellizcados.
	Cables de parlante en corto a tierra	Asegúrese que los cables no están pellizcados.
	Fusible Incorrecto o fusible muy pequeño	Instale un fusible con la especificación correcta
El CD salta demasiado	Montaje del receptor no es sólido o la tira trasera no está asegurada	Verifique el montaje y la tira trasera, ajuste si es necesario.

ESPECIFICACIONES

Especificaciones de Potencia CEA



Potencia de Salida: 13 Watts RMS x 4 canales dentro de 4-Ohms @ $\leq 1\%$ THD+N
 Relación Señal Ruido: 70dBA debajo de referencia. (Referencia: 1 Watt, 4-Ohms)
 Respuesta a Frecuencia: 20Hz a 20 kHz, -3dB, entrada auxiliar usada como fuente de referencia
 Voltaje de Alimentación de Referencia: 14.4VDC

Reproductor de CD

Relación Señal Ruido: >90dBA
 Respuesta a Frecuencia: 20Hz-20kHz, -3dB
 Separación de Canales: >55dB @ 1kHz
 Convertidor D/A: 1 Bit/CH

Sintonizador FM

Rango de Sintonización (USA): 87,5MHz - 107,9MHz

Rango de Sintonización (Europa): 87.50MHz-108.00MHz

Sensibilidad monoaural: 12dBf
 50dB sensibilidad silenciado (estéreo): 16dBf
 Separación Estéreo @ 1kHz: >35dB
 Respuesta a Frecuencia: 30Hz-14kHz. ± 3 dB

Sintonizador AM

Rango de Sintonización (USA): 530 kHz - 1.710 kHz

Rango de Sintonización (Europa): 522kHz-1.620kHz
 Sensibilidad @ 20dB señal ruido: 30uV
 Respuesta a Frecuencia: 50Hz-2kHz, -3dB

Entrada Auxiliar

Sensibilidad de Entrada: 400mV RMS para 1 watt RMS sobre 4-ohms
 Respuesta a Frecuencia: 20Hz a 20kHz, -3dB
 Impedancia de Entrada: 10 k-ohms

General

Fuente de Alimentación: 11-16 VDC, negativo a tierra
 Alimentación de Antena (Azul): 500mAmp máx., protección limitada de corriente
 Temperatura de funcionamiento: -10C~60C
 Fusibles: 15 amp disparo rápido ATO
 Dimensiones de chasis DIN: 2"H x 7"W x 7"D (51mm x 178mm x 178mm)

Especificaciones sujetas a cambio sin aviso.

For instructions in English, see page 1.

Para obtener instrucciones en Español, dirijase a la página 23.

COMMENCER

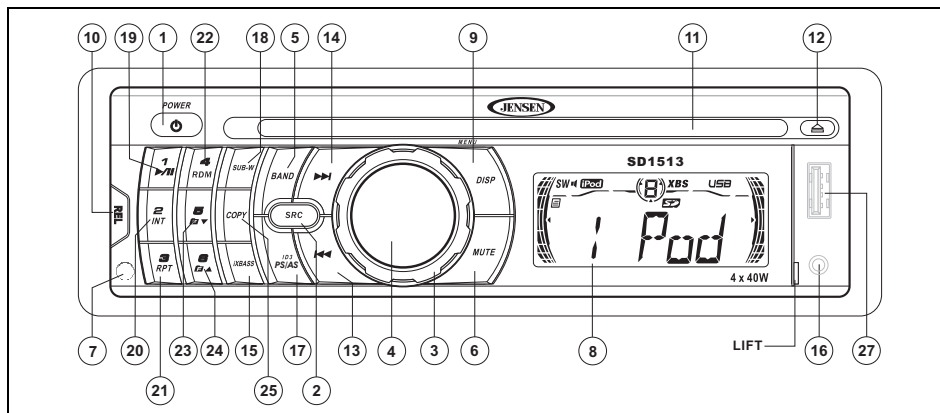
Table des matières

Instructions d'opération	46
Opération Tuner	50
Opération du lecteur CD.....	52
Exigences de fichier MP3/WMA.....	54
Opération MP3/WMA	57
Se servir d'un dispositif USB ou une Carte SD.....	59
Opération iPod	61
Télécommande.....	63
Soin et Maintenance.....	64
Dépannage.....	65
Spécifications	66


Aide d'installation gratuit

Si vous avez besoin d'aide ; prenez contact avec le Soutient Technique à 1-800-323-4815 de 9H à 18H EST Lundi à Vendredi (les Etats-Unis et le Canada uniquement).

OPERATING INSTRUCTIONS



Puissance

Pressez le bouton puissance  (1) ou tout autre bouton sur la face du récepteur pour allumer l'appareil lorsque le commutateur d'allumage est allumé. Pressez le bouton puissance de nouveau pour mettre le récepteur en arrêt. Si la radio était en marche lorsque le commutateur d'allumage avait été éteint, le récepteur se mettra automatiquement en marche lorsque le commutateur d'allumage est allumé de nouveau. Si le récepteur était éteint lorsque le commutateur d'allumage avait été

éteint, il faudra mettre le récepteur en marche à la main lors du redémarrage du véhicule.

Source

Pressez le bouton **SRC** (2) pour sélectionner un mode d'opération différent comme indiqué sur le panneau d'affichage. Des sources disponibles comprennent Tuner, CD, SD, USB, et Entrée auxiliaire. Pendant l'opération du lecteur CD, pressez **SRC** changera à la source tuner sans éjecter le disque. Pour accéder à la source d'entrée auxiliaire, pressez le bouton

SRC jusqu'à ce que « AUX » soit indiqué dans l'affichage.

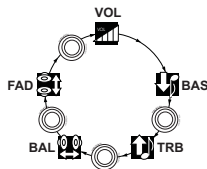
Volume

Pour augmenter le volume, tournez **AUDIO CONTROL** (3) dans le sens des aiguilles d'une montre. Pour diminuer le volume, tournez le **AUDIO CONTROL** contre le sens des aiguilles d'une montre. Lorsque le volume est ajusté, le niveau de volume est montré sur le panneau d'affichage comme un nombre allant de « 00 » (le plus bas) à « 46 » (le plus haut).

Sélectionner

Pressez le bouton **AUDIO CONTROL** (4) pour passer à travers le menu des fonctions audio :

volume (VOL), basse (BAS), aigu (TRB), balance (BAL), équilibreur (FAD) et volume (VOL). Lorsque vous ajustez des fonctions audio l'appareil sélectionnera automatiquement le mode et reviendra à l'affichage normal dans cinq secondes ou lorsqu'une autre fonction est activée.



Basse

Pressez le bouton **AUDIO CONTROL** (4) deux fois jusqu'à ce que « BAS » apparaisse dans l'affichage. Dans cinq secondes, tournez le **AUDIO CONTROL** (3) dans ou contre le sens des aiguilles d'une montre pour ajuster la basse de « -6 » à « +6 ». « 0 » représente une réponse plate. Le niveau de basse est affiché pendant cinq secondes ou jusqu'à ce qu'une autre fonction ne soit activée.

Aigu

Pressez le bouton **AUDIO CONTROL** (4) trois fois jusqu'à ce que « TRB » apparaisse dans l'affichage. Dans cinq secondes, tournez le **AUDIO CONTROL** (3) dans ou contre le sens des aiguilles d'une montre pour ajuster l'aigu de

« -6 » à « +6 ». « 0 » représente une réponse plate. Le niveau d'aigu est montré dans l'affichage pour cinq secondes ou jusqu'à ce qu'une autre fonction ne soit activée.

Balance

Pressez le bouton **AUDIO CONTROL** (4) quatre fois jusqu'à ce que « BAL » apparaisse dans l'affichage. Dans cinq secondes, tournez le **AUDIO CONTROL** (3) dans (ou contre) le sens des aiguilles d'une montre pour ajuster la balance entre les hauts parleurs de gauche et de droite de « BAL R12 » (droite jusqu'au bout) à « BAL L12 » (gauche jusqu'au bout). « BAL C00 » représente un niveau de balance égal entre les hauts parleurs de gauche et de droite. La position de balance est montré dans l'affichage pendant cinq secondes ou jusqu'à ce qu'une autre fonction soit activée.

Équilibreur

Pressez le **AUDIO CONTROL** (4) cinq fois jusqu'à ce que « FAD » apparaisse dans l'affichage. Dans cinq secondes ; tournez le **AUDIO CONTROL** (3) dans ou contre le sens des aiguilles d'une montre pour ajuster l'équilibre entre les hauts parleurs d'avant et d'arrière de « FAD R12 » (arrière jusqu'au bout) à « FAD F12 » (avant jusqu'au bout). « FAD C00 » représente un niveau d'équilibre égal entre les hauts parleurs d'avant et d'arrière. La position de l'équilibreur est montré

dans l'affichage pendant cinq secondes ou jusqu'à ce qu'une autre fonction ne soit activée.

Menu Système

Pressez et maintenez le bouton **DISP** (9) pour voir le système « MENU ». Pressez le bouton **DISP** plusieurs fois de suite ou bien utilisez les boutons >>| (14) ou |<< (13) pour accéder aux choix MENU suivantes.

Horloge (CLK)

Tournez l'**AUDIO CONTROL** à gauche pour ajuster les heures et à droite pour ajuster les minutes.

ZONE

Tournez l'**AUDIO CONTROL** pour sélectionner l'espacement de fréquence approprié pour votre zone : Etats-unis, LAT (Amérique Latine), EUR (Europe), ou RUS (Russie).

DISTANT/LOCAL

Cette fonction est utilisée pour désigner la force des signaux auxquels la radio s'arrêtera pendant la syntonisation automatique. « Distant » est le réglage par défaut permettant à la radio de s'arrêter à une gamme plus large des signaux. Pour régler l'appareil pour sélectionner uniquement des stations fortes pendant la syntonisation automatique tournez l'**AUDIO CONTROL** pour choisir « Local ».

P-VOL (00-46)

Utilisez la choix « VOL PGM » pour sélectionner le volume par défaut que la radio assumera lorsqu'elle est allumée. Pour programmer un niveau de volume spécifique tournez l'**AUDIO CONTROL** pour sélectionner le niveau désiré.

A NOTER : Si le P-Vol est réglé plus haut auq le volume sélectionné lorsque l'appareil est éteint, l'appareil reprendra au volume inférieur lorsqu'il est rallumé - et non pas le P-Vol.

Tonalité Bip Allumée/Eteinte

La fonction de la tonalité bip permet la sélection d'une tonalité bip audible qui se fait entendre chaque fois qu'un bouton est pressé sur la face de la radio. Tournez l'**AUDIO CONTROL** pour sélectionner entre les choix de Tonalité Bip suivante :

- BEEP ON : Le Bip est entendu chaque fois qu'un bouton est pressé (fonction activée).
- BEEP OFF : Bip n'est pas entendu.

iX-BASS

Pressez le bouton **iXBASS** (15) pour activer la fonction iXBASS. Lorsque vous écoutez la musique à des niveaux de volume bas ; cette fonction augmentera les gammes de basse et

d'aigu pour compenser les caractéristiques de l'ouïe humaine. Pressez **iXBASS** de nouveau pour désactiver cette fonction.

Caisson de basse

Pressez le bouton **SUB-W** (18) pour activer la fonction Caisson de basse. Pressez de nouveau pour éteindre la fonction.

A NOTER : La fonction Caisson de basse ne fonctionne que lorsqu'un amplificateur externe et le caisson de basse sont branchés par un branchement sortie de ligne caisson de basse sur le dos de l'appareil.

Assourdir l'Audio (MUTE)

Pressez le bouton **MUTE** (6) pour assourdir le volume audio. « MUTE » clignote dans l'affichage. Rétablissez le volume au réglage précédent en pressant le bouton MUTE de nouveau et ajuster l'**AUDIO CONTROL**.

Affichage aux cristaux liquides (LCD)

Le panneau à l'affichage aux cristaux liquides (8) affiche la fréquence, l'heure et les fonctions activées de l'appareil.

A NOTER : Après avoir été soumis à des températures froides ; les panneaux à

l'affichage aux cristaux liquides prennent plus longtemps à répondre et la visibilité des numéros sur l'affichage peut légèrement diminuer. L'affichage aux cristaux liquides reviendra à normal lorsque la température augmente jusqu'à atteindre le niveau normale.

Affichage (DISP)

Lorsque l'appareil est en marche, l'affichage aux cristaux liquides montre automatiquement l'affichage pour la source actuelle de l'opération.

Lorsque l'appareil est allumé, pressez le bouton **DISP** (9) pour afficher l'heure de la journée. Au bout de cinq secondes ; l'affichage revient à la source actuelle.

Entrée auxiliaire

Soulevez le couvercle à la droite de la radio pour révéler le connecteur **AUX IN** (16). Utilisez le câble média 3.5mm pour brancher un dispositif portable pour reproduction à travers le système acoustique du véhicule.

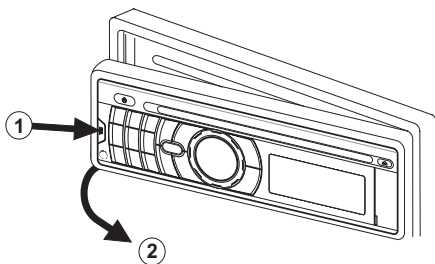
Relâchement du panneau avant

Le bouton **REL** (relâchement) du panneau avant (10) relâche le mécanisme qui tient le panneau avant au châssis.

Détacher le panneau avant

Pour détacher le panneau avant, pressez d'abord le bouton **REL** (10) pour relâcher le côté gauche du panneau. Ensuite ; tenez le côté relâché et tirez le panneau du châssis. Après avoir enlevé le panneau avant gardez-le dans l'étui portatif fourni pour le protéger de la poussière et de l'endommagement.

ENLEVER LE PANNEAU AVANT



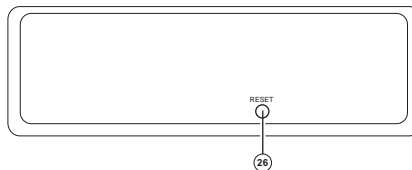
Rattacher le panneau avant

Pour rattacher le panneau avant, soyez sûr que les bornes électriques sur le dos du panneau sont libre de poussière et de saletés, comme le débris peut provoquer l'opération intermittente ou d'autres malfunctions. Positionnez le côté droite du panneau pour qu'il soit correctement engagé et puis pressez légèrement le côté

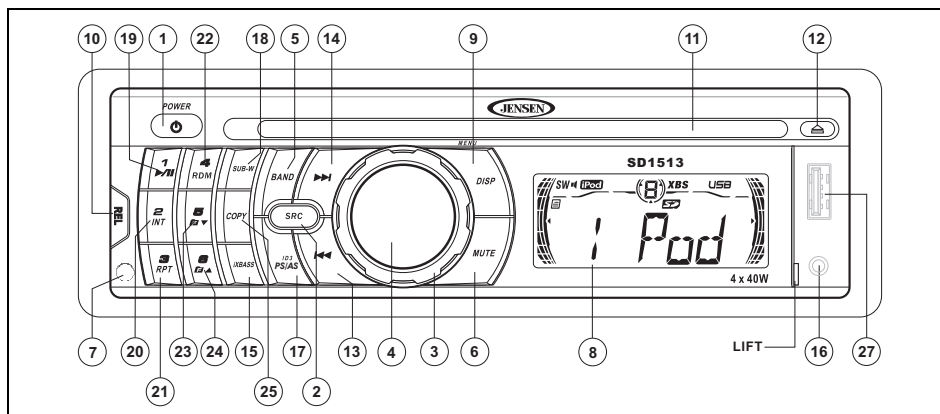
gauche du panneau jusqu'à ce que le panneau se verrouille sur place.

Bouton de réinitialisation

Le bouton de réinitialisation (26) est situé sur l'avant du châssis et ne peut être accédé que lorsque le panneau avant est enlevé. La circuiterie de réinitialisation protège la circuiterie du microprocesseur. Puisque la réinitialisation de l'appareil effacera l'heure et la mémoire pré réglée, il ne doit être activée que lors de l'installation initiale après que tout le câblage ne soit terminé ou s'il y a une malfonction d'un interrupteur quelconque sur l'appareil. Dans ces circonstances, pressez le bouton de réinitialisation va dégager le système et retournera l'appareil à l'opération normale.



OPERATION TUNER



Sélecteur de bande AM/FM (BAND)

Pressez le bouton **BAND** (5) pendant que la radio est allumée pour changer entre trois bandes FM et deux bandes AM. « F1 », « F2 », « F3 » ou « AM », « AM2 » apparaît dans l'affichage pour indiquer la bande actuellement sélectionnée.

Syntonisation

Syntonisation Automatique

Pressez le bouton **>>|** (14) pour syntoniser vers le haut en fréquence et le bouton **|<<** (13) pour

syntoniser vers le bas en fréquence. L'appareil s'arrêtera automatiquement à la prochaine station forte. Si le mode Local est actif ; la radio va chercher la prochaine station locale forte lorsque l'un ou l'autre bouton est pressé.

Syntonisation à la main

Pressez le bouton **>>|** (14) ou **|<<** (13) pour plus de deux secondes pour sélectionner le mode de syntonisation à la main. « MANUAL » apparaîtra dans l'affichage. Pressez les boutons de syntonisation Vers le haut/Vers le bas pour déplacer la fréquence de radio vers le haut ou vers le bas deux chiffres à la fois.

Pressez et maintenez les boutons de Syntonisation vers le haut/vers le bas pour avancer rapidement jusqu'à une fréquence particulière. Relâchez lorsque la fréquence est atteinte. Si la syntonisation n'est pas ajustée dans cinq secondes après être entrédans le mode de syntonisation à la main, la radio va revenir à la syntonisation automatique et « AUTO » apparaîtra dans l'affichage.

Stations prérégées

Vous pouvez mettre en mémoire jusqu'à six stations sur chaque bande comme des

préréglés et qui peuvent être instantanément rappelés en pressant le bouton préréglé associé sur le panneau avant (19-24). Pour mettre une station en mémoire, allumez la radio et sélectionnez la bande et la station désirées. *Pressez et maintenez* le bouton préréglé désiré (numéroté un à six sur la face de la radio ou sur la télécommande) pendant plus de deux secondes. Lorsqu'elle est mise en mémoire le numéro préréglé apparaîtra dans l'affichage. La station est alors mise en mémoire et peut être rappelée en pressant le bouton préréglé correspondant. Répétez pour les cinq préréglés qui restent sur la bande actuelle et pour tous les préréglés sur trois autres bandes.

Scanner les préréglés/Mise en mémoire automatique (PS/AS)

Mise en mémoire automatique

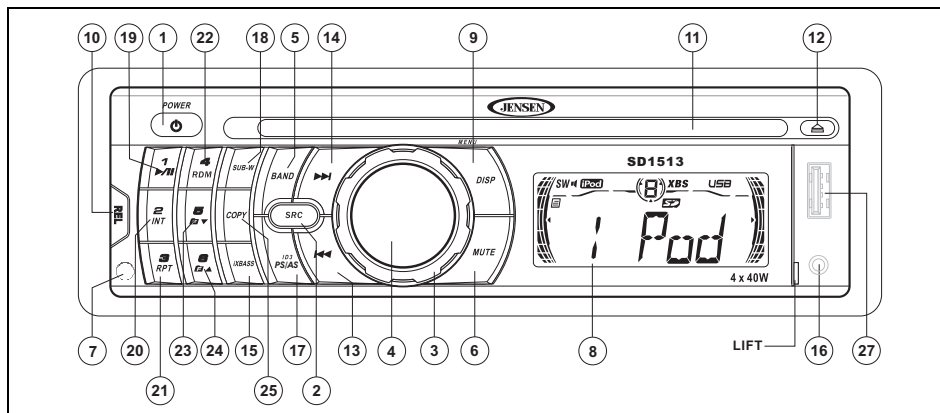
Sélectionnez six stations fortes et les mettre en mémoire pour la bande actuelle en utilisant la fonction Mise en Mémoire Automatique. Pour activer cette fonction, *pressez et maintenez* le bouton **PS/AS** (17) pour plus de deux secondes. La radio va automatiquement scanner chaque bande et entrer des stations fortes dans des positions de mémoire préréglées. Après avoir entré les stations dans la mémoire, l'appareil s'arrêtera automatiquement à chaque station pendant cinq secondes pour qu'on puisse l'entendre. Lorsque vous utilisez la fonction Mise en

Mémoire Automatique, les nouvelles stations remplaceront toute station déjà mise en mémoire préréglée.

Scanner les préréglés

Pressez le bouton **PS/AS** (17) pour scanner les six stations préréglées dans la bande AM ou toutes les bandes FM. L'appareil s'arrêtera à chaque station pendant cinq secondes avant de continuer jusqu'à la prochaine station préréglée et le numéro du préréglé clignotera dans l'affichage pendant le scan des préréglés. Pressez le bouton **PS/AS** de nouveau pour arrêter le scan et écouter la station actuelle.

OPERATION LECTEUR CD



A NOTER : Cet appareil est conçu pour jouer les disques compacts de taille 5" (12 cm.) standardisée seulement. N'essayez pas d'utiliser des CDs simples de 3" (8 cm.) dans cet appareil soit avec ou sans un adaptateur comme cela peut endommager le lecteur et/ou le disque. De tels endommagements ne sont pas couverts par la garantie.

Insérer le CD

Avec la face étiquette en haut, insérez doucement le disque dans la fente pour CD (11) jusqu'à ce que le mécanisme à chargement doux s'engage et tire le disque vers l'intérieur. La reproduction du disque commence. Le numéro de la piste et le temps écoulé apparaissent dans l'affichage.

Sélection de piste

Les fonctions pour sélection de piste sont utilisées pour accéder rapidement au début d'une piste particulière lorsque le disque est en

train d'être reproduit. Pressez le bouton >>| (14) pour aller en avant ou le bouton <<| (13) pour aller en arrière pour trouver la piste désirée. Les numéros de piste apparaissent dans l'affichage au fur et à mesure qu'ils sont accédés.

Pressez et maintenez le bouton >>| ou <<| pour faire avance rapide ou recul rapide à travers un disque. Pendant les deux fonctions le temps écoulé apparaîtra dans l'affichage. Relâchez le bouton pour reprendre la reproduction du CD.

Reproduction/suspension

Pressez le bouton de la reproduction/suspension (19) pour suspendre la reproduction du disque. « PAUSE » apparaîtra dans l'affichage. Pressez le bouton encore une fois pour reprendre la reproduction du disque. L'indication « S--PAUSE » disparaîtra de l'affichage et la reproduction reprendra à partir du moment de suspension.

Scannage de l'intro du disque (INT)

Pendant la reproduction du disque, pressez le bouton **2 INT** (20) pour jouer les 10 premières secondes de chaque piste sur le disque.

« INT » apparaîtra dans l'affichage. Lorsque la piste désirée est atteinte, pressez **2 INT** de nouveau pour terminer la fonction de scannage et jouer la piste sélectionnée.

« INT » disparaîtra de l'affichage. La fonction de scannage sera annulée aussi lorsque l'on active les fonctions de répétition ou de mélange.

Répétition du disque (RPT)

Pressez le bouton **3 RPT** (21) pendant la reproduction du disque pour répéter de manière continue la piste sélectionnée. « RPT » apparaîtra dans l'affichage. Pressez **3 RPT** de nouveau pour arrêter la répétition. « RPT » disparaîtra de l'affichage et la reproduction normale se reprendra. La fonction de répétition sera annulée lorsque l'on active le scannage et ou la fonction de mélange.

Mélange du disque (RDM)

Pressez le bouton **4 RDM** (22) pendant la reproduction du disque pour jouer toutes les pistes sur un CD dans un ordre mélangé au hasard. « RDM » apparaîtra dans l'affichage. Pressez le bouton **4 RDM** de nouveau pour arrêter la reproduction au hasard. « RDM »

disparaîtra de l'affichage et la reproduction régulière reprendra. La fonction de mélange sera annulée lorsque l'on active les fonctions de scannage ou de répétition.

Ejection du disque

Pressez le bouton d'éjection (12) pour arrêter la reproduction du CD et éjecter le disque. L'appareil changera au tuner ou à l'opération AUX en fonction du mode qui était en opération avant la reproduction du disque. Si le disque n'est pas enlevé de l'appareil dans 15 secondes, le disque se rechargera pour éviter des endommagements accidentels. La reproduction du disque peut être reprise en pressant **SRC** (2) pour choisir une fonction du lecteur CD.

Codes d'erreur du lecteur CD

Si un problème survient lors de l'opération du CD, « Disc Error » ou « Error 1 » peuvent apparaître dans le panneau d'affichage. Si « Disc Error » apparaît, essayez d'éjecter et de recharger le disque dans le lecteur. Lorsque le disque est en dehors de l'appareil, assurez-vous qu'il soit propre et intact et puis rechargez-le. « Error 1 » peut indiquer un certain nombre de problèmes y compris une erreur mécanique ou une erreur de commande du microprocesseur du lecteur. Presser le bouton de réinitialisation (26) peut aider, mais effacera le temps et la mémoire préregistrée. Si les

mesures suggérées ne résolvent pas le problème prenez contact avec une station de garantie près de vous pour assistance supplémentaire.

EXIGENCES DE FICHIERS MP3/WMA

Les fichiers musiques MP3 et WMA (Windows Media Audio) sont des fichiers audio numériques qui sont comprimés pour permettre plus de fichiers sur un seul CD. Cet appareil peut jouer MP3/WMA directement depuis des fichiers contenus sur un CD-R/RW, un dispositif ou une carte SD en utilisant les boutons sur le récepteur (ou la télécommande) comme décrit ci-dessous. Plusieurs types de logiciels sont disponibles pour la conversion des fichiers audio dans des formats MP3/WMA. Phase Linear recommande Nero ou Roxio Easy CD Creator. En fonction du type de média et la méthode d'enregistrement certains CD-R/RWs peuvent être incompatibles avec cet appareil. Cet appareil soutient la reproduction du MP3/WMA, et CDDA (CDA), CDs de Mode Mélangé et CD-Extra (y compris des disques multi-séances), mais les disques sur lesquels la séance n'a pas été fermée ne joueront pas.

Notes sur la reproduction MP3/WMA

Cet appareil peut jouer MP3 (MPEG 1, 2, 2.5, Audio Layer 3). Cependant la média d'enregistrement MP3 et les formats acceptés sont limités. Lorsque vous écrivez MP3/WMA faites attentions aux restrictions suivantes :

Média Acceptable

La média d'enregistrement MP3/WMA acceptable pour cet appareil sont CD-ROM, CD-R et CD-RW. Lorsque vous utilisez le CD-RW, utilisez le format plein plutôt que le format rapide pour éviter des malfunctions.

Des formats de disque acceptables

Les formats suivants sont disponibles pour la média utilisée dans cet appareil. Le nombre maximum de caractères utilisés pour un nom de fichier y compris le délimiteur (« . ») et l'extensions à trois caractères sont indiqués entre parenthèses.

- ISO 9660 Level 1 (11 caractères)
- ISO 9660 Level 2 (31 caractères)
- Joliet (31 caractères)
- Romeo (31 caractères)

Jusqu'à 200 caractères peuvent être affichés dans le format de fichier à nom long. Pour une liste des caractères disponibles veuillez voir le mode d'emploi du logiciel d'écriture et la section « Entrer les noms de Fichiers et de Dossiers » ci-dessous. La média reproductible sur cet appareil à des limitations suivantes :

- Nombre maximum de dossiers imbriqués : 8

- Nombre maximum de fichiers par disque : 999
- Nombre maximum de dossiers par disque : 255

Des fichiers MP3/WMA écrits dans un format autre que ceux spécifiés ici ne joueront pas avec succès et leur nom de fichier ou leur nom de dossier ne seront pas bien affichés.

Enchiffreur MP3/WMA et des réglages de l'écrivain CD

Utilisez les réglages suivants lorsque vous comprenez des données audio dans des données MP3 avec un enchiffreur MP3.

- Transfert de débit binaire : 32 - 320 kbps
- Fréquence d'échantillonnage : 32, 44.1, 48kHz (WMA) et 16, 22.05, 24, 32, 44.1, 48kHz (MP3)

Lorsque vous utilisez un écrivain CD pour enregistrer des MP3/WMA jusqu'à la capacité maximale du disque, désactivez écriture supplémentaire. Pour enregistrer un disque vide jusqu'à sa capacité maximale sélectionnez « disc at once ».

Entrer Repère ID3

Cet appareil soutient les versions de repère ID3 1.0 et 1.1. Pour des codes de caractères référez-vous au tableau ci-dessous.

0	1	2	3	4	5	6	7	8	9	A	B	C	D	E	F
0			@	P	`	p				°	À	Đ	à	đ	
1		!	1	A	Q	a	q			±	Á	Ñ	á	ñ	
2		"	2	B	R	b	r			²	Â	Ò	â	ò	
3		#	3	C	S	c	s			³	Ã	Ó	ã	ó	
4		\$	4	D	T	d	t			⁴	Ä	Ö	ä	ö	
5		%	5	E	U	e	u			¥	Å	Õ	å	õ	
6		&	6	F	V	f	v			¦	Æ	Ö	æ	ö	
7		'	7	G	W	g	w			§	·	Ç	×	ç	±
8		(8	H	X	h	x			¸	†	È	Ø	è	ø
9)	9	I	Y	i	y			©	¹	É	Ú	é	ú
A		+	:	J	Z	j	z			ª	²	Ê	Û	ê	û
B		,	;	K	[k	{			«	»	Ë	Ü	ë	ü
C		<	=	L	\	l				¼	½	Ì	Ù	ì	ù
D		-	=	M]	m	}			½	¾	Í	Ý	í	ý
E		.	>	N	^	n	~			¾	¾	Î	Þ	î	þ
F		/	?	O	_	o	■			¿	¿	Ï	ß	ï	ÿ

Entrer les noms de fichiers et de dossiers

Des noms utilisant des caractères de liste de codes sont les seuls noms de fichiers ou de dossiers qui peuvent être entrés et affichés. D'autres caractères ne s'afficheront pas correctement. Cet appareil ne reconnaît et ne joue que des fichiers avec extensions MP3/WMA.

A NOTER : Un nom de fichier entré avec des caractères qui ne sont pas sur la liste de codes peut ne pas jouer correctement.

Ecrire des fichiers sur un Disque

Lorsqu'un disque contenant des données MP3/WMA est chargé, l'appareil vérifie toutes les données. Si le disque contient beaucoup de dossiers ou des fichiers non-MP3/WMA, la reproduction des fichiers MP3/WMA sera retardée, l'appareil peut mettre du temps pour aller au fichier prochain et des recherches peuvent ne pas être exécutées efficacement. Charger un tel disque peut produire un grand bruit et endommager les hauts parleurs.

A NOTER : N'essayez pas de jouer un disque contenant un fichier non-MP3/WMA avec une extension MP3/WMA ou un disque contenant des fichiers non MP3/WMA.

Anti-choc Electronique

- 10 secondes pour le CDDA (CDA)
- 60 secondes pour des fichiers MP3/WMA enregistrés à 44.1kHz, 128kbps

Débit binaire

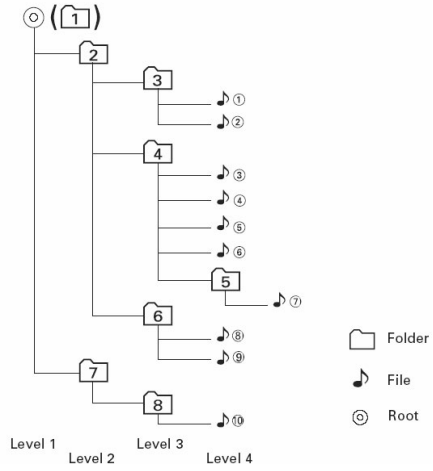
Cet appareil soutient des débits binaires de 32 - 320 kbps.

L'ordre d'écoute des fichiers

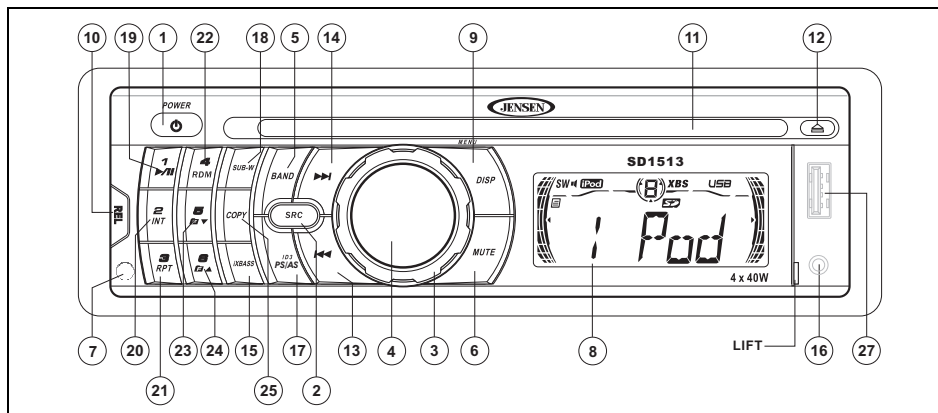
Lorsqu'ils sont recherchés pour reproduction, des fichiers et des dossiers (Recherche Dossier, Recherche Fichier ou Sélection de Dossier) sont accédés dans l'ordre dans lequel ils ont été écrits par le graveur de CD. Par conséquent, l'ordre dans lequel on s'attend à les écouter peut ne pas être l'ordre dans lequel ils sont en fait joués.

Vous pouvez régler l'ordre dans lequel MP3/WMA sont joués en les gravants sur un disque tel qu'un CD-R avec leur nom commençant par des numéros de jeu par séquence tels que « 01 » à « 99 ».

Par exemple, un disque avec hiérarchie dossier/disque suivant est soumis à Recherche Dossier, Recherche Fichier ou Sélection de Dossier comme montré ci-dessous.



OPERATION MP3/WMA



Suspension

Pressez le bouton **1 >||** (19) pour suspendre la reproduction du disque. Pressez le bouton de nouveau pour reprendre la reproduction.

Sélection de piste

Pressez le bouton **>>|** (14) ou **<<** (13) pour moins d'une seconde pour avancer jusqu'à la prochaine piste sur le disque ou bien pressez et maintenez pour faire avance ou recul rapide à travers le disque. Le jeu du disque commence lorsque le bouton est relâché.

Naviguer des dossiers

Pressez les boutons **5 V** et **6 Λ** (23, 24) pour sélectionner le dossier/répertoire prochain ou précédent.

Intro Scan (INT)

Alors qu'un disque est en train de jouer, pressez le bouton **2 INT** (20) pour jouer les 10 premières secondes de chaque piste sur le disque. Lorsque vous arrivez à la piste désirée, pressez **2 INT** de nouveau pour terminer le scannage et jouer la piste sélectionnée.

Répétition (RPT)

Pressez le bouton **3 RPT** (21) pour répéter le fichier actuel. Pressez **3 RPT** de nouveau pour reprendre la reproduction normale.

Au hasard (RDM)

Pressez le bouton **4 RDM** (22) pour jouer tous les fichiers sur un disque au hasard. Pressez **4 RDM** de nouveau pour reprendre la reproduction normale.

Recherche de fichier ou de dossier MP3/WMA

Cet appareil offre deux méthodes de chercher des fichiers ou des dossiers.

Recherche du numéro du fichier direct

Pressez le bouton **BAND** (5). L'affichage aux cristaux liquides affichera « Number ». Tournez l'**AUDIO CONTROL** pour sélectionner le numéro de piste désirée, et puis pressez l'**AUDIO CONTROL** pour confirmer et jouer le fichier sélectionné.

Recherche par navigation

Pressez le bouton **BAND** (5) deux fois. L'affichage aux cristaux liquides affichera « File ». Tournez l'**AUDIO CONTROL** pour naviguer à travers tous les dossiers et les sous-dossiers sur le disque. Les noms du dossier seront affichés sur l'affichage aux cristaux liquides. Pressez l'**AUDIO CONTROL** pour accéder aux sous-dossiers ou des fichiers. Tournez l'**AUDIO CONTROL** pour naviguer et puis pressez le bouton de sélection pour confirmer et commencer la reproduction. Pendant la recherche par navigation, tournez l'**AUDIO CONTROL** contre le sens des aiguilles d'une montre pour revenir au niveau de dossier précédent.

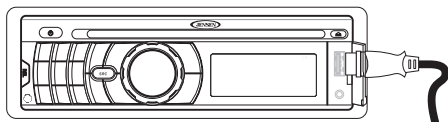
Information d'affichage

Pressez le bouton **DISP** (9) pour afficher l'horloge ou l'information ID3 disponibles, comme suit : titre de chanson, nom du répertoire, le nom d'artiste ; etc.

UTILISER UN DISPOSITIF USB OU UNE CARTE SD

Charger un dispositif USB

Des dispositifs USB peuvent être joués à travers le connecteur USB sur le panneau avant. Pour accéder aux fichiers sur un dispositif USB, insérez un dispositif USB comme indiqué ci-dessous.



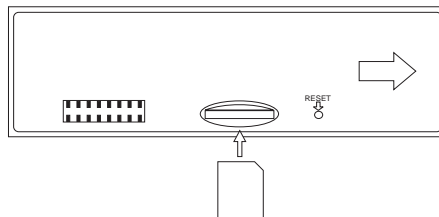
Après l'insertion un dispositif USB contenant des fichiers MP3 ou WMA, « USB HOST » apparaît dans l'affichage et l'appareil se mettra automatiquement à scanner la carte pour des fichiers musiques et commencer la reproduction.

Pour éjecter le dispositif USB, pressez le bouton **SRC** (2) pour sélectionner une source différente. Tirez le dispositif USB tout droit et retournez le couvercle à la position fermée.

Charger une carte SD

Pour insérer une carte SD, vous devez d'abord enlever le panneau avant pour révéler la fente de la carte SD (voir 'Relâchement du panneau avant » à la page 12) . Insérez votre carte SD

comme illustré ci-dessous et puis réinstaller le panneau avant.



Après l'insertion d'une carte SD contenant des fichiers MP3 ou WMA, « SD/MMC » apparaît dans l'affichage et l'appareil se mettra à scanner automatiquement la carte pour des fichiers musiques et commencer la reproduction.

Pour éjecter la carte SD, enlevez le panneau avant et puis pressez sur la carte SD pour le relâcher. Tirez la carte SD tout droit et remplacez le panneau avant.

Naviguer les fichiers

Veuillez vous « Operation MP3/WMA » à la page 57 pour des informations concernant la navigation des répertoire et la recherche des fichiers.

Copier la musique

Votre SD1513 est équipé d'une fonction Copier qui vous permet de copier de fichiers MP3 ou WMA à une carte SD/MMC ou un dispositif USB. Pour Copier la musique, exécutez les étapes suivantes :

1. Insérez un disque et sélectionner la piste que vous voudriez copier.
2. Pressez le bouton **COPY** (25) pour activer la fonction Copier.
3. Tournez l'**AUDIO CONTROL** (3) pour sélectionner soit l'USB ou la CARTE (SD/MMC).
4. Pressez le bouton **AUDIO CONTROL** (4) pour commencer à copier.
 - L'appareil commencera à copier le fichier actuel, commençant au début de la piste. L'affichage aux cristaux liquides affichera « >>> ## ». Copier s'arrêtera à la fin du fichier.
 - L'information enregistrée est stockée dans un dossier qui s'appelle « MY_MP3 » ou « MY_WMA » sur la source de destination.
 - Copier s'arrêtera et l'appareil va afficher « Memory Full » si le dispositif de stockage est tout rempli.

Pour arrêter Copier avant que le fichier ne soint terminé, pressez le bouton **COPY**. L'affichage

aux cristaux liquides va afficher « STOP » et le fichier incomplet sera effacé du dossier de destination.

A NOTER : N'enlevez jamais un dispositif USB pendant l'enregistrement ou le transfert de musique. Cela peut endommager le dispositif ou causer le système à se verrouiller. Ne changez pas de mode ou allumer la puissance radio ou éteignez le commutateur d'allumage pendant l'enregistrement.

Effacer des fichiers copiés

Vous pouvez effacer les fichiers copiés depuis un dispositif USB ou une carte SD/MMC alors qu'un fichier est en train de jouer ou après avoir sélectionné le fichier en mode Recherche par Numéro ou Recherche par Navigation. Pour effacer un fichier pratiquez les étapes suivantes :

1. *Pressez et maintenez* le bouton **BAND** (5) pour activer la fonction Effacement. L'affichage aux cristaux liquides affichera « ERASE 010 ».
2. Pressez l'**AUDIO CONTROL** (4) pour sélectionner le mode Erase.
3. Tournez l'**AUDIO CONTROL** (3) et sélectionné « Y » pour effacer (ou sélectionnez « N » pour annuler la fonction d'effacement).

4. Pressez le bouton **AUDIO CONTROL** pour confirmer. Le fichier va arrêter la reproduction (s'il est en train d'être joué) et sera effacé. Lorsque ceci est terminé, le système va afficher « ERASE OK ».

Gestion des fichiers

La musique enregistrée ou transférée en utilisant le SD1513 sera stockée dans les dossiers par défaut que voici :

- MY_MP3 : Des fichiers MP3 transférés.
- MY_WMA : Des fichiers WMA transférés

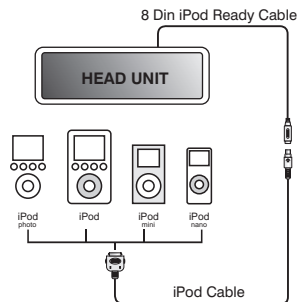
La musique enregistrée/transférée est stockée dans le dossier correspondant auquel est donné la convention de nomination suivantes : « XX0001.MP3 », où XX est le nom de la source (i.e. SD0001.MP3).

OPERATION iPod

Accéder au mode iPod

Cet appareil est équipé d'une fonction prête pour l'iPod qui vous permet de commander et charger votre iPod (si compatible) en utilisant les boutons de commande du panneau avant.

L'appareil va automatiquement changer au mode iPod lorsqu'un iPod est branché au câble iPod.



Pour rentrer au menu iPod depuis n'importe quelle autre source menu, pressez le bouton **SRC** (2) sur le panneau avant ou la télécommande jusqu'à ce que « iPod » apparaisse sur l'affichage.

A NOTER : Le SD1513 ne sélectionnera pas de fichiers vidéo peu importe un fichier

vidéo était ou non le dernier fichier reproduit lorsque l'iPod a été branché à la radio. Seuls les fichiers musiques sont supportés.

Allumer/Eteindre l'iPod

La puissance iPod s'allume automatiquement lorsque l'iPod est branché au câble iPod à 30 aiguilles, autant que le commutateur d'allumage du véhicule est en marche. Vous pouvez éteindre l'iPod en le débranchant du câble et en éteignant le commutateur d'allumage. Lorsque le commutateur d'allumage est éteint, l'iPod fera pause et puis entrera dans le mode sommeil au bout de 2 minutes. L'iPod ne peut pas être allumé ou éteint depuis l'iPod lui-même lorsqu'il est branché.

A NOTER : L'iPod va se recharger continuellement lorsqu'il est branché à l'appareil autant que le commutateur d'allumage du véhicule est en marche.

Voir l'information de la reproduction

Pressez le bouton **PS/AS** (17) pour afficher l'information de reproduction iPod dans l'ordre suivant :

- Titre de chanson
- Artiste
- Nom de l'Album
- Temps écoulé

Jouer/ Suspendre

Pressez le bouton **1 >||** (19) pour suspendre ou reprendre la reproduction.

Sélection de piste

Sélectionner une piste

Pressez le bouton **>>|** (14) ou **|<<** (13) pendant moins d'une seconde pour avancer jusqu'à la prochaine chanson dans le dossier actuel.

Avance rapide/Recul rapide

Pressez et maintenez le bouton **>>|** (14) ou **|<<** (13) pendant plus d'une seconde pour faire avance rapide ou recul rapide. Reproduction recommence lorsque le bouton est relâché.

Répéter (RPT)

Pressez le bouton **3 RPT** (21) pendant la reproduction du disque pour répéter continuellement la chanson sélectionnée. Pressez **3 RPT** de nouveau pour arrêter la fonction de répétition.

Pressez et maintenez le bouton **3 RPT** (21) pour plus de trois secondes pour répéter continuellement l'album/dossier tout entier.

Pressez et maintenez le bouton **3 RPT** de nouveau pour arrêter la fonction de répétition.

Mélange (RDM)

Pressez le bouton **4 RDM** (22) pour jouer tous les fichiers dans l'album/dossier actuel au hasard. Pressez **4 RDM** de nouveau pour reprendre la reproduction normale. Pressez et maintenez **4 RDM** pour plus de trois secondes pendant la reproduction de l'iPod pour jouer toutes les chansons dans tous les dossiers dans le désordre. Pressez **4 RDM** de nouveau pendant plus de trois secondes pour reprendre la reproduction normale.

Mode de recherche

Pendant le mode de reproduction de l'iPod pressez le bouton **BAND** (5) pour entrer dans le mode de recherche iPod. Pressez le bouton **BAND** plusieurs fois de suite pour accéder aux modes de rechercher dans l'ordre suivant :

- Liste d'écoute
- Artiste
- Album
- Chanson
- Genre

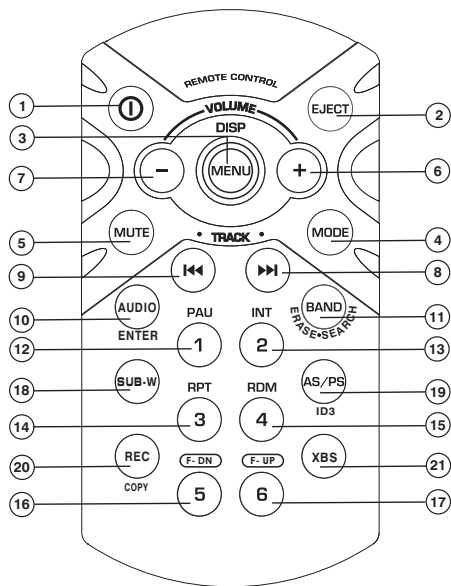
Après avoir sélectionné le mode de recherche désiré, pressez le bouton **AUDIO CONTROL** (4) dans 10 secondes pour confirmer le mode de recherche. Tournez l'enchiffreur à rotation pour naviguer à travers l'Album, l'artiste ou les

chansons contenus dans votre iPod. Pressez l'**AUDIO CONTROL** pour jouer la chanson sélectionnée. Pendant le mode de recherche, pressez le **PS/AS** pour revenir rapidement au niveau le plus haut de l'album, la liste d'écoute, le Genre ; etc.

TELECOMMANDE

La télécommande vous permet de commander les fonctions de base du SD1513.

La sonde de la télécommande est située au côté gauche du panneau avant à gauche du bouton **3 RPT** (21).



CLE	SYSTEME		TUNER		CD/MP3/WMA		iPod	
	PRESSER COURT	PRESSER LONG	PRESSER COURT	PRESSER LONG	PRESSER COURT	PRESSER LONG	PRESSER COURT	PRESSER LONG
1	Puissance							
2					Ejecter			
3	Affichage	Menu						
4	Mode							
5	Mute							
6	Volume Vers le haut							
7	Volume Vers le bas							
8			Chercher vers le haut	Syntoniser vers le haut	Piste/fichier vers le haut	Avance rapide	Fichier vers le haut	Avance rapide
9			Chercher vers le bas	Syntoniser vers le bas	Piste/fichier vers le bas	Recul rapide	Fichier vers le bas	Recul rapide
10	Menu audio				Entrer		Entrer	
11			Band		Cherche fichier/dossier	Effacement de fichier	Cherche iPod	
12			M1	Mémoire	Suspendre/jouer		Suspendre/jouer	
13			M2	Mémoire 2	Intro	Intro de dossier		
14			M3	Mémoire 3	Répéter	Répétition du dossier	Répéter	Répétition d'album
15			M4	Mémoire 4	Hasard	Dossier au hasard	Mélange	Mélange d'album
16			M5	Mémoire 5	Dossiers vers le bas			
17			M6	Mémoire 6	Dossier vers le haut			
18	Caisson de basse allumé/éteint							
19			PS	AS	ID3		Info	
20	enregistrée/transférée							
21	iX-Bass Marche/Arrêt							

SOIN ET MAINTENANCE

Lecteur CD

Les consignes suivantes vous aideront à prolonger la vie de votre lecteur CD :

1. Lorsque vous nettoyez l'intérieur du véhicule ne faites pas tomber de l'eau ou des fluides quelconques sur l'appareil.
2. Le lecteur CD ne fonctionnera pas bien dans des conditions de chaleur ou de froid extrêmes ou dans des conditions humides. En cas de telles conditions attendez jusqu'à l'intérieur du véhicule revienne à une température normale ou la condensation sur la lentille du lecteur CD s'est évaporée avant d'utiliser le lecteur.
3. N'insérez jamais rien d'autre qu'un CD de 5" rond dans le lecteur. Essayer d'insérer des CDs d'autres taille (même avec un adaptateur) provoquera de l'endommagement qui n'est pas couvert sous la garantie.
4. Enlevez toujours le CD lorsque le lecteur n'est pas en usage.
5. L'appareil a été conçu avec un mécanisme pour minimiser la vibration pour minimiser l'interruption de la reproduction du disque à cause de la vibration normale d'un véhicule en mouvement. Cependant, des sauts de son occasionnels peuvent survenir lorsque vous conduisez sur des routes rugueuses. Cela n'égratignera pas

ni ne nuira pas au disque et la reproduction normale se reprendra lorsque les conditions rugueuses cessent d'opérer.

Compact Discs

CD-R / CD-RW

Dépendant du type de média et la méthode d'enregistrement, certains CD-R/RWs peuvent être incompatibles avec cet appareil. Après l'enregistrement, la séance doit être fermée. Veuillez vous référer aux procédures recommandées de votre logiciel pour fermer un disque/séance. Réviser votre logiciel d'enregistrement pour vous familiariser avec les bonnes procédures d'enregistrement. Nous recommandons les dernières versions de ROXIO ou NERO en ce qui concerne les logiciels d'enregistrement.

En plus, **cet appareil ne reconnaîtra que le format CDDA (Compact Disc Digital Audio), .MP3 et .WMA formats « enregistré »** sur un CD-R/RW. **Cet appareil ne supporte pas les autres formats tels que WAV, ou OGG.**

Soin et manipulation du CD

De la poussière, des saletés et des égratignures et des voilures peut causer des sauts de son pendant la reproduction et une détérioration de

la qualité de son. Veuillez suivre ces consignes pour prendre soin de vos disques compacts.

1. Essayez avec soin des empreintes digitales, de la poussière et des saletés de la surface du disque avec un tissu doux. Essayez dans un mouvement droit allant du centre vers la périphérie du disque.
2. N'utilisez jamais des produits chimiques tels que des vaporisateurs ou des fluides détergents pour nettoyer les CDs, comme ils peuvent endommager la surface du disque de manière irréparable.
3. Les disques doivent être gardés dans leur étuis de protection lorsqu'ils ne sont pas utilisés.
4. N'exposez pas les disques aux rayons de soleil direct, des températures hautes ou de l'humidité haute pendant de longues périodes.
5. **Ne collez pas de papier, de la bande ou des étiquettes CD sur la surface du disque comme cela peut cause de l'endommagement interne.**

DEPANNAGE

Problème	Cause	Correction
Ne fonctionne pas (l'affichage en s'illumine pas)	Pas de puissance au fil jaune ; pas de puissance au fil rouge	Vérifiez le branchement avec une lumière d'essai, vérifiez le fusible du véhicule avec une lumière d'essai.
	Fusible en ligne sauté	Remplacez le fusible
Pas de puissance à l'appareil	Fusible en ligne sauté	Vérifiez/remplacez le fusible
Tous les haut parleurs ne fonctionnent pas	Des greffes ou des branchements incorrects	Vérifiez toutes les greffes et les branchements
	Les fils d'hauts parleurs font court-circuit à la terre châssis ou l'un à l'autre.	Vérifiez les greffes et isoler tous les fils nus
Saute les fusibles	Fil de puissance fait court-circuit à la terre	Assurez-vous que le fil n'est pas pincé
	Les fils d'hauts parleurs font court-circuit à la terre	Assurez-vous que le fil n'est pas pincé
	Fusible incorrect ou fusible trop petit	Installez le fusible du rating correct
Le CD saute trop	Le montage du récepteur n'est pas solide ou la courroie arrière n'est pas sûre.	Vérifiez le montage et la courroie arrière ; serrez s'il le faut.

SPECIFICATIONS

CEA Power Ratings



Sortie puissance : 13 watts RMS X 4 channels into 4-ohms @ $\leq 1\%$ THD+N
 Rapport signal au bruit : 70dBA sous référence (Référence : 1 watt, 4-ohms)
 Réponse en fréquence : 20Hz to 20kHz (-3dB),
 Entrée auxiliaire utilisée comme source de référence
 Voltage de fournitures référence : 14.4VDC

Lecteur CD

Rapport signal au bruit : >90dBA
 Réponse en fréquence : 20Hz-20kHz, -3dB
 Séparation des canaux : >55dB @ 1kHz
 Adaptateur D/A : 1 Bit/CH

FM Tuner

Gamme de syntonisation(USA) : 87.5MHz - 107.9MHz
 Gamme de syntonisation (Europe) : 87.50MHz-108.00MHz

Sensibilité mono : 12dBf
 50dB sensibilité de mise en sourdine(stereo) : 16dBf
 Séparation stéréo @ 1kHz : >35dB
 Réponse en fréquence : 30Hz-14kHz, ± 3 dB

AM Tuner

Gamme de syntonisation (USA) : 530 kHz - 1710 kHz
 Gamme de syntonisation (Europe) : 522kHz-1620kHz
 Sensibilité @ 20dB signal to noise : 30uV
 Réponse en fréquence : 50Hz-2kHz., -3dB

Entrée auxiliaire

Sensibilité d'entrée : 400mV RMS pour 1 watt RMS multiplié par 4-ohms
 Réponse en fréquence : 20Hz to 20kHz, -3dB
 Impédance d'entrée : 10 k-ohms

Général

Alimentation : 11-16 VDC, terre négative
 Antenne bleu (Bleu) : 500mAmp Max, protection actuelle limitée.
 Température d'opération : -10C~60C
 Fusibles : 15 amp fast blow ATO
 Dimensions du châssis DIN : 2"H x 7"W x 7"D (51mm x 178mm x 178mm)

Les spécifications sont susceptible à changer sans avis préalable.

Limited Warranty

CD or Multimedia Radios/Head Units

DO NOT RETURN THIS PRODUCT TO THE STORE

Audiovox Electronics Corporation (“the Company”) is committed to quality and customer service, and are pleased to offer you this Warranty. Please read it thoroughly and contact the Company at 1-800-323-4815 with any questions.

Who is covered?

The Company extends this warranty to the original retail purchaser of products purchased through an authorized Audiovox retailer in the U.S.A., Puerto Rico or Canada. This warranty is not transferable or assignable. Proof of purchase is required in the form of an original sales receipt.

What is covered?

The Company warrants that should this product or any part thereof, under normal use, be proven defective in material or workmanship within 12 months from the date of original purchase, such defect(s) will be repaired or replaced with a new or reconditioned product (at the Company’s option) without charge for parts and repair labor.

What is not covered?

This Warranty does not cover the following:

- Damage incurred during shipping or transporting the product to the Company or a service center
- Elimination of car static or motor noise
- Defects in cosmetic, decorative or non-operative structural parts
- Correction of antenna problems
- Costs incurred for installation, removal or reinstallation of the product
- Consequential damage to compact discs, USB devices, digital media cards, accessories or vehicle electrical systems
- Damage caused by improper installation, mishandling, misuse, neglect, accident, blown fuse, battery leakage, theft or improper storage
- Products whose factory serial number/bar code label(s) or markings have been removed or defaced
- Damage resulting from moisture, humidity, excessive temperature, extreme environmental conditions or external natural causes

Please review the “Care and Maintenance” section of your Installation and Operation Manual for additional information regarding the proper use of your product.

Limitations

THE EXTENT OF THE COMPANY’S LIABILITY UNDER THIS WARRANTY IS LIMITED TO THE REPAIR OR REPLACEMENT PROVIDED ABOVE AND, IN NO EVENT, SHALL THE COMPANY’S LIABILITY EXCEED THE PURCHASE PRICE PAID BY PURCHASER FOR THE PRODUCT.

This Warranty is in lieu of all other express warranties or liabilities. ANY IMPLIED WARRANTIES, INCLUDING ANY IMPLIED WARRANTY OF MERCHANTABILITY, SHALL BE LIMITED TO THE DURATION OF THIS WRITTEN WARRANTY. ANY ACTION FOR BREACH OF ANY WARRANTY HEREUNDER INCLUDING ANY IMPLIED WARRANTY OF MERCHANTABILITY MUST BE BROUGHT WITHIN A PERIOD OF 24 MONTHS FROM DATE OF ORIGINAL PURCHASE. IN NO CASE SHALL THE COMPANY BE LIABLE FOR ANY CONSEQUENTIAL OR INCIDENTAL DAMAGES FOR BREACH OF THIS OR ANY OTHER WARRANTY, EXPRESS OR IMPLIED, WHATSOEVER. No person or representative is authorized to assume for the Company any liability other than expressed herein in connection with the sale of this product.

Some states do not allow limitations on how long an implied warranty lasts or the exclusion or limitation of incidental or consequential damage so the above limitations or exclusions may not apply to you. This Warranty gives you specific legal rights and you may also have other rights which vary from state to state.

Obtaining Warranty Service

- To obtain repair or replacement within the terms of this Warranty, call 1-800-323-4815 for the location of a warranty station serving your area.
- You must prepay the initial shipping charges to the Company. The Company will pay the return shipping charges for all warranted products returned to an address within the U.S.A., Puerto Rico or Canada.
- Please package the product securely to avoid shipping damage. We recommend using a carrier that provides tracking service to prevent lost packages. Lost or damaged packages are not covered by this warranty.
- Provide a detailed description of the problem(s) for which you require service.

Garantía Limitada

Radios del CD o de los Multimedia

NO RETORNE ESTE PRODUCTO A LA TIENDA

Audiovox Electronics Corporation ("la Compañía) es una corporación comprometida con la calidad y el servicio al cliente, y se complace en ofrecerle esta Garantía. Por favor, léala completamente y contacte a la Compañía al 1-800-323-4815 por cualquier duda.

¿Quién está cubierto?

La Compañía extiende esta garantía al comprador minorista original de los productos comprados a un distribuidor Audiovox autorizado en USA, Puerto Rico o Canadá. Esta garantía no es transferible o asignable. Se requiere prueba de compra en forma de recibo de venta original.

¿Qué está cubierto?

La Compañía garantiza que si este producto o cualquier parte del mismo, bajo uso normal, se prueba que tiene defectos en materiales o mano de obra dentro de los 12 meses desde la fecha de compra original, dichos defectos serán reparados o reemplazados con un producto nuevo o reacondicionado (a opción de la Compañía) sin costos por repuestos o por labor de reparación.

¿Qué no está cubierto?

Esta Garantía no cubre lo siguiente:

- Daños ocurridos durante el envío o transporte del producto a la Compañía o al centro de servicio
- Eliminación de estática o ruido de motor
- Defectos en cosmética, partes estructurales decorativas o no operativas
- Corrección de problemas de antena
- Costos incurridos por instalación, retiro o reinstalación del producto
- Daños consecuentes a discos compactos, dispositivos USB, tarjetas multimedia digitales, accesorios o sistemas eléctricos del vehículo
- Daños causados por instalación inadecuada, mal manejo o uso, negligencia, accidentes, fusibles quemados, goteras en la batería, robo o almacenamiento inadecuado.
- Productos cuyo número de serie o código de barra de fábrica o sus marcas hayan sido quitados o borrados
- Daños resultantes de la humedad, temperatura excesiva, condiciones medioambientales extremas o causas naturales externas

Por favor, revea la sección "Cuidados y Mantenimiento" de su Manual de Instalación y Operación para obtener información adicional relacionada al uso adecuado de su producto.

Limitaciones

LA EXTENSIÓN DE LA RESPONSABILIDAD DE LA COMPAÑÍA BAJO ESTA GARANTÍA SE LIMITA A LA REPARACIÓN O REEMPLAZO PROVISTO ARRIBA Y, EN NINGÚN CASO, EXCEDERÁ LA RESPONSABILIDAD DE LA COMPAÑÍA EL PRECIO DE COMPRA PAGADO POR EL COMPRADOR DEL PRODUCTO.

Esta Garantía está en lugar de todas las otras garantías o responsabilidades. CUALQUIER GARANTÍAS IMPLICADAS, INCLUYENDO CUALQUIER GARANTÍA IMPLICADA DE MERCANTIBILIDAD, SERÁ LIMITADA A LA DURACIÓN DE ESTA GARANTÍA ESCRITA. CUALQUIER ACCIÓN POR INCLUMPLIMIENTO DE CUALQUIER GARANTÍA AQUÍ ESPECIFICADA INCLUIDA CUALQUIER GARANTÍA IMPLÍCITA DE MERCANTIBILIDAD DEBE SER LLEVADA A CABO DENTRO DE UN PERIDO DE 24 MESES DESDE LA FECHA DE COMPRA ORIGINAL. IN NINGÚN CASO LA COMPAÑÍA SERÁ RESPONSABLE POR NINGÚN DAÑO CONSECUENTE O INCIDENTAL POR INCLUMPLIMIENTO DE ESTA O CUALQUIER OTRA GARANTÍA, EXPRESA O IMPLICADA, DE NINGUNA FORMA. No se autoriza a ninguna persona o representante a asumir por parte de la Compañía ninguna responsabilidad diferente a la aquí expresada en conexión con la venta de este producto.

Algunos estados no permiten limitaciones sobre el tiempo de duración de una garantía implicada o de la exclusión o limitación de daños incidentales o consecuentes, entonces las limitaciones y exclusiones antes mencionadas pueden no aplicarle a usted. Esta Garantía le da derechos legales específicos y usted también puede tener otros derechos que pueden variar de estado en estado.

Obteniendo el Servicio de Garantía

- Para obtener reparación o reemplazo dentro de los términos de esta Garantía, llame al 1-800-323-4815 por la ubicación de un servicio de garantía en su área.
- Usted debe pagar previamente los costos de envío inicial a la Compañía. La Compañía pagará los costos de envío de retorno de todos los productos en garantía enviados a direcciones dentro de USA, Puerto Rico o Canadá.
- Por favor empaquete el producto de forma segura para evitar daños en el transporte. Recomendamos usar una empresa de transporte que provea servicio de rastreo para prevenir la pérdida de paquetes. Paquetes perdidos o dañados no están cubiertos por esta garantía.
- Provea una descripción detallada del problema o problemas por los cuales usted requiere servicio.

Garantie Limitée

Radios CD ou Multimédia / Unités principales

NE RENVOYEZ PAS CE PRODUIT AU MAGASIN

Audiovox Electronics Corporation (la Société) s'engage à la qualité et au service des clients, et est content de vous offrir cette garantie. Nous vous prions de le lire attentivement et prendre contact avec la Société au 1-800-323-4815 avec des questions.

Qui est couvert ?

La Société étend cette garantie à l'acheteur d'origine en détail des produits achetés à un détaillant autorisé d'Audiovox aux Etats-Unis, Puerto Rico ou Canada. Cette garantie ne peut pas être transférée ni aliénée. Preuve d'achat est exigé sous forme du récépissé de vente d'origine.

Ce qui est couvert ?

La Société garantit que si ce produit ou une partie de ce produit, sous l'utilisation normale par l'acheteur d'origine, dans des conditions normales, s'avère défectueux en matériel ou en artisanat, dans 12 mois depuis la date d'achat d'origine, de tels défauts seront réparés ou remplacés avec un nouveau produit ou un produit reconditionné (à la seule discrétion de la société) sans frais pour les pièces de rechange ou le travail réparateur.

Ce qui n'est pas couvert ?

Cette garantie ne couvre pas le suivant :

- Des dommages survenus lors de la transportation de ce produit à la Société ou à un centre d'entretien.
- Elimination des parasites de voiture ou le bruit du moteur
- Des défauts dans des parties cosmétiques, décoratives ou structurelles non-opératives
- Rectification des problèmes d'antenne
- Le coût de l'installation, de l'enlèvement ou de la réinstallation du produit
- Dommages indirects aux disques compacts, des engins USB, des cartes de média digitales, des accessoires ou le système électrique du véhicule
- Des dégâts survenus à cause de la manipulation mauvaise, l'installation incorrecte, mauvaise utilisation, négligence, des accidents, des fusibles sautés, fuite de la pile, du vol et du stockage incorrect
- Produits soumis à l'enlèvement ou la dégradation du numéro de série d'usine/étiquettes de code à barres ou des marquages.
- Des dégâts survenus à cause de la moisissure, l'humidité, des températures excessives, des conditions environnementales extrêmes ou des causes naturelles externes

Veuillez revoir la section Soins et Entretien de votre Guide d'Opération, pour avoir des informations supplémentaires quant à la bonne utilisation de votre produit.

Limitations

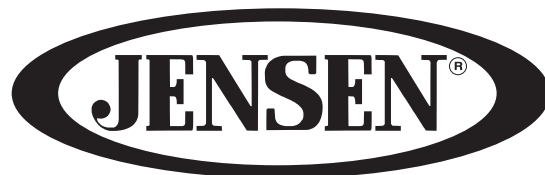
LA MESURE DE LA RESPONSABILITE DE LA SOCIETE SOUS CETTE GARANTIE EST LIMITEE A LA REPARATION OU REMPLACEMENT MENTIONNES CI-DESSUS ET DANS AUCUN CAS LA RESPONSABILITE DE LA SOCIETE N'EXCEDERA LE PRIX D'ACHAT PAYE PAR L'ACHETEUR POUR CE PRODUIT.

Cette garantie tient lieu de toute autre garantie ou responsabilité expresses. TOUTE GARANTIE IMPLIQUEE, Y COMPRIS UNE GARANTIE IMPLIQUEE DE MARCHANDABILITE, SERA LIMITEE A LA DUREE DE CETTE GARANTIE ECRITE. TOUTE ACTION POUR RUPTURE D'UNE GARANTIE QUELCONQUE SOUS LA PRESENTE, Y COMPRIS TOUTE GARANTIE IMPLIQUEE DE MARCHANDABILITE DOIT ÊTRE PORTEE DANS UNE PERIODE DE 24 MOIS DEPUIS LA DATE D'ACHAT D'ORIGINE. EN AUCUN CAS LA SOCIETE NE SERA RESPONSABLE POUR TOUT DOMMAGE INDIRECT OU ACCESSOIRE POUR RUPTURE DE CETTE GARANTIE OU TOUTE AUTRE GARANTIE, EXPRESSE OU IMPLIQUEE. Aucune personne ni un représentant n'est autorisée d'assumer de la part de la société une responsabilité autre que celle exprimée ici relatif à la vente de ce produit.

Certains états ne permettent pas de limitations sur la durée d'une garantie impliquée ou sur l'exclusion ou la limitation des dommages indirects et accessoires, tels que les informations ci-dessus ne s'appliquent pas à vous. Cette garantie vous donne des droits légaux spécifiques et vous pouvez aussi jouir d'autres droits qui varient d'état à l'état.

Obtenir le service de garantie

- Pour obtenir la réparation ou le remplacement dans les termes de cette garantie, appelez 1-800-323-4815 pour avoir l'emplacement d'une station de garantie qui dessert votre région.
- Si le produit est envoyé pour un service de garantie vous devez payer les frais de transportation de départ. La Société payera la transportation de retour pour tout produit sous garantie si le produit est retourné à une adresse située aux Etats-Unis, Puerto Rico ou Canada.
- Assurez-vous que le produit soit bien emballé pour éviter des accidents pendant la transportation. Nous recommandons un transporteur qui fourni un service de dépitage pour éviter la perte des paquets. Des paquets perdus ou endommagés ne sont pas couverts par cette garantie.
- Fournissez une description détaillée des problèmes que vous voulez faire résoudre par le service de garantie.



PHASE
LINEAR
SERIES

Audiovox Electronics Corporation
150 Marcus Boulevard
Hauppauge, NY 11788
1-800-323-4815
www.audiovox.com



N1049

©2009 Audiovox
v.061009

Free Manuals Download Website

<http://myh66.com>

<http://usermanuals.us>

<http://www.somanuals.com>

<http://www.4manuals.cc>

<http://www.manual-lib.com>

<http://www.404manual.com>

<http://www.luxmanual.com>

<http://aubethermostatmanual.com>

Golf course search by state

<http://golfingnear.com>

Email search by domain

<http://emailbydomain.com>

Auto manuals search

<http://auto.somanuals.com>

TV manuals search

<http://tv.somanuals.com>