



VM9311

Instruction Manual
Manual de Instrucciones
Guide d'instructions



CONTENTS

Thank you for choosing a Jensen product. We hope you will find the instructions in this owner's manual clear and easy to follow. If you take a few minutes to look through it, you'll learn how to use all the features of your new Jensen VM9311 Mobile Multimedia AM/FM/DVD Receiver for maximum enjoyment.

Preparation	1
Features.....	1
Tools and Supplies.....	1
Optional Accessories.....	1
Disconnecting the Battery.....	2
Installation	5
Pre-installation.....	5
Wiring.....	5
Final Installation.....	5
Final ISO-DIN Installation.....	5
Controls and Indicators	6
Button Operation.....	6
LCD Display/Indicators.....	8
Remote Control	9
Using the TFT Monitor	11
Open/Close TFT Monitor.....	11
TFT Monitor Auto Open.....	11
Monitor Tilt Angle Adjustment.....	11
Aspect Ratio.....	11
Image Setting.....	11
Parking Brake.....	11
Monitor Movement Mechanism.....	11
Operating Instructions	12
Power On / Off.....	12
Audible Beep Confirmation.....	12
Mute.....	12
Playing Source Selection.....	12
Volume Adjustment.....	12
Audio Control Menu.....	12
System Reset.....	12
Line Mute.....	12
System Setup Menu	13
General Setup Menu.....	13
ASP (Audio Sound Processing) Config Menu.....	14
Exiting the System Setup Menu.....	14
AM/FM Tuner Operation	15
Tuner TFT Display.....	15
Tuner LCD Display.....	15
Switch to Radio Tuner source.....	15
Select FM/AM Band.....	15
Seek Tuning.....	15
Manual Tuning.....	15
Using Preset Stations.....	15
Auto Store (AS).....	15
Local Radio Station Seeking (LOC).....	15
DVD/VCD Video Operation	16
Opening/Closing the TFT Video Screen.....	16
DVD LCD Display.....	16
Inserting a Disc.....	16
Ejecting a Disc.....	16
Reset the Loading Mechanism.....	16
Controlling Playback.....	16
Accessing the DVD Menu.....	16
Moving Through Chapters.....	16
Goto Search.....	16
Direct Chapter / Track Selection.....	17
Viewing an Alternate Picture Angle (DVD Only).....	17
Zooming.....	17
Multi-Language Discs (DVD Only).....	17
PBC (Play back Control) (VCD Only).....	17
Playback Information.....	17
General Disc Information.....	18
DVD/Disc Setup Menu	19
Accessing the DVD Setup Screen.....	19
LANGUAGE Menu.....	19
VIDEO Menu.....	19
AUDIO Menu.....	19
RATING (Parental Lock) Menu.....	19
DVD/Disc Audio Operation	21
Controlling Playback.....	21
MP3/WMA Operation.....	21
iPod Operation	22
Accessing iPod Mode.....	22
Controlling your iPod.....	22
XM® Radio Operation	23
Accessing XM® Radio Mode.....	23
Displaying the Identification (ID) Code.....	23
Selecting a Station.....	23
Preset Mode.....	23
Channel/Category Guide Mode.....	23
Direct Tuning.....	23
XM Setup Menu.....	24
Troubleshooting	25
Error Messages.....	26
Care and Maintenance.....	27
Specifications	28
12-Month Limited Warranty	28

CONTENIDO

Gracias por elegir los productos Jensen. Esperamos que encuentre en este manual instrucciones claras y fáciles de seguir. Si se toma unos pocos minutos para leerlo, aprenderá cómo utilizar todas las funciones de su nuevo radio Jensen para su máximo entretenimiento.

Preparation	29	Eyectar un Disco	44
Características.....	29	Reinicie el Mecanismo de Carga.....	44
Herramientas y Provisiones.....	29	Controlando la Reproducción.....	44
Accesorios Opcionales.....	30	Accediendo al Menú DVD.....	44
Desconexión de la Batería.....	30	Moviéndose a Través de Capítulos.....	44
Instalación	33	Búsqueda Goto.....	45
Preinstalación.....	33	Capítulo Directo / Selección de Pista.....	45
Cableado.....	33	Viendo un Ángulo de Imagen Alterno (DVD Solamente).....	45
Instalación Final.....	33	Zoom (Acercamiento de imagen).....	45
Instalación del ISO-DIN Final.....	33	Discos con Lenguaje Múltiple (DVD Solamente).....	45
Controles e Indicadores	34	PBC (Control de Reproducción) (VCD Solamente).....	45
Botones de Operación.....	34	Información de Reproducción.....	45
Pantalla LCD/Indicadores.....	36	Información de Disco General.....	46
Control Remoto	37	Menú de Configuración del DVD/DISCO	47
Utilización del Monitor TFT	39	Accediendo a la Pantalla de Configuración de DVD.....	47
Abrir/Cerrar el Monitor TFT.....	39	Menú LANGUAGE (Lenguaje).....	47
Abrir Automáticamente el Monitor TFT.....	39	Menú VIDEO.....	47
Ajuste de Ángulo de Inclinación del Monitor.....	39	Menú de AUDIO.....	47
Proporción de la Imagen.....	39	Menú RATING (Bloqueo de Padres).....	47
Proporción de la Imagen.....	39	Operación del Audio de DVD/Disco	49
Freno de Mano.....	39	Controlando la Reproducción.....	49
Mecanismo de Movimiento de Monitor.....	39	Operación MP3/WMA.....	49
Instrucciones de Operación	40	Operación de iPod	50
Encendido / Apagado.....	40	Al Modo del iPod del Acceso.....	50
Confirmación Bip Audible.....	40	Controlar su iPod.....	50
Mute.....	40	Operation de la Radio XM®	51
Selección de Fuente de Reproducción.....	40	Accessing XM® Radio Mode.....	51
Ajuste de Volumen.....	40	Exhibir el Código de la Identificación.....	51
Menú de Control de Audio.....	40	Selecting a Station.....	51
Reinicio del Sistema.....	40	Preselección de Memoria Automática.....	51
Enmudecedor de Línea.....	40	Modo de la Guía del Canal/Categoría.....	51
Menú de Configuración de Sistema	41	Seleccione Directamente una Estación.....	52
Menú de Configuración General.....	41	XM Menú Setup.....	52
Poniendo en Hora el Reloj.....	42	Solución de Problemas	53
Menú de Configuración de ASP.....	42	Mensajes de Error.....	54
Saliendo del Menú de Configuración de Sistema.....	42	Cuidado y Mantenimiento.....	55
Operación del Radio	43	Especificaciones	56
Pantalla del Sintonizador de TFT.....	43	Garantía Limitada de 12 Meses	56
Pantalla LCD del Radio.....	43		
Cambio a Fuente de Radio.....	43		
Selección de Banda FM/AM.....	43		
Búsqueda de Sintonía.....	43		
Sintonía Manual.....	43		
Utilizando Estaciones Configuradas Previamente.....	43		
Almacenamiento Automático (AS).....	43		
Buscador de Estaciones de Radio Local (LOC).....	43		
Operación del Video de DVD/VCD	44		
Abriendo / Cerrando la Pantalla de Video TFT.....	44		
Pantalla LCD del DVD.....	44		
Insertar un Disco.....	44		

TABLE DES MATIÈRES

Merci d'avoir choisi un produit Jensen . Nous espérons que vous allez trouver les instructions dans ce guide de propriétaire claires et faciles à suivre . Prenez quelques minutes à le consulter, vous apprendrez à utiliser toutes les fonctions de votre nouvelle radio Jensen pour en tirer une jouissance maximum.

Preparatifs	57	Insérer un disque	72
Fonctions.....	57	Ejection d'un disque	72
Outils et matériel	57	Réinitialiser le mécanisme de chargement	72
Accessoires facultatifs.....	58	Contrôler la reproduction.....	72
Débranchez la pile	58	Accéder au menu DVD	72
Installation	61	Se déplacer à travers les chapitres.....	73
Pré-installation	61	Recherche allez à (GOTO)	73
Câblage.....	61	Chapitre direct/sélection de piste	73
Installation finale	61	Visionner un angle de l'image alternatif (seulement DVD).....	73
Installation finale ISO-DIN.....	61	Zoom	73
Controles et indicateurs.....	62	Disques multi-langues (Seulement DVD).....	73
Opération par bouton	62	PBC (Contrôle de la reproduction) (Seulement VCD).....	73
Affichage/indicateurs LCD.....	64	Information de la reproduction	73
Telecommande.....	65	Information générale du disque.....	74
Utilisation de moniteur TFT	67	Menu de configuration DVD/disque.....	75
Ouvrir/fermer le moniteur TFT.....	67	Accéder à l'écran configuration du DVD	75
Ouverture automatique du moniteur TFT	67	Menu LANGUAGE	75
Ajustement d'angle d'inclinaison du moniteur	67	Fonction menu video.....	75
Rapport largeur/longueur	67	Menu audio	75
Réglage d'image	67	Menu classement (verrouille parental).....	75
Freins de stationnement.....	67	Operation audio DVD/DisQUE.....	77
Mécanisme du mouvement du moniteur	67	Contrôler la reproduction.....	77
Instructions d'operation	68	Opération MP3/WMA	77
Puissance en marche/en arrêt	68	Operation iPod.....	78
Confirmation du bip sonore.....	68	Accéder à la mode iPod	78
Muet	68	Contrôler votre iPod	78
Sélection de la source de reproduction.....	68	Operation radio XM®.....	79
Ajustement du volume.....	68	Accéder à la mode radio XM®.....	79
Menu contrôle d'audio.....	68	Affichage du code d'identification.....	79
Réinitialisation du système.....	68	Sélectionner une station.....	79
Muet de ligne.....	68	Mode de pré-réglage.....	79
Menu configuration systeme	69	Mode de guide chaîne / catégorie	79
Menu configuration générale.....	69	Syntonisation directe	80
Ajuster l'horloge	70	Menu configuration XM	80
Menu configuration ASP (traitement de son audio)	70	Depannage	81
Sortir du menu configuration système.....	70	Messages d'erreur.....	82
Operation tuner AM/FM	71	Soin et Entretien.....	83
Affichage tuner TFT	71	Specifications	84
Affichage aux cristaux liquides tuner.....	71	Garantie limitée de 12 mois	84
Changer à la source tuner radio.....	71		
Sélectionner la bande AM/FM.....	71		
Rechercher la syntonisation.....	71		
Syntonisation à la main	71		
Utilisation des stations pré-réglées	71		
Auto stockage (AS)	71		
Recherche station de radio locale (LOC).....	71		
Operation video DVD/VCD	72		
Ouvrir/Fermer l'écran vidéo TFT	72		
Affichage aux cristaux liquides DVD	72		

PREPARATION

Congratulations on your purchase of the Jensen VM9311 Mobile Multimedia Receiver.

It's a good idea to read all of the instructions before beginning the installation. We recommend having your Jensen VM9311 installed by a reputable installation shop.

Features

DVD

- Compatible formats: DVD-R, DVD-RW, DVD+R, DVD+RW, CD-R, CD-RW, CD-DA, MP3, WMA, SVCD, VCD and MPEG1, MPEG2 and JPEG
- Region 1 playback
- 16:9 Aspect ratio - Normal / Cinema
- Front panel DVD control
- High-speed Fast Forward / Fast Rewind 2X, 4X, 8X, 32X
- Play, Pause, Stop, Slow
- Chapter Up / Down
- Wolfson Microelectronics high performance 24-bit, 192 kHz DAC supports 2-channel "Down-Mix" audio modes
- 16Mbit high-speed flash memory - 80nS access time

MP3/WMA

- GIGA MP3 - Store up to 999 MP3 files on a DVD
- ID3-tag compatible
- Direct track access
- Play, Pause, Stop, Track Up / Down
- 100 second (MP3), 200 second (WMA) ESP - Electronic Skip Protection

CD

- CD-text compatible
- 4 second ESP - Electronic Skip Protection

AM/FM Tuner

- US/Euro/Latin/Asia Tuner
- 30 Station presets (18FM/12AM)
- JENSEN Plus Tuner II

Outboard Media Module

- XM Radio and iPod

XM Ready

- Requires Optional Terk XMD1000 Tuner Box
- Requires Optional Terk XMDJEN100 or Jensen JXMC XM Cables
- Advanced display shows the artist, song title, and XM channel and category at a glance
- Direct Channel entry

Made for iPod

- Controls and charges all iPod's except "Shuffle"
- Displays all text information including category, track name, artist and channel number

Chassis

- 7-inch TFT active-matrix LCD, 336, 960 pixels (1440W X 234H)
- Full automatic motorized TFT LCD flip-out and up
- 16-step TFT LCD tilt adjustment
- Beep Tone confirmation
- Heat management system - Incorporates forced air-cooling to keep the chip-sets operating at nominal temperatures
- Heavy duty galvanized chassis

General

- Full function infrared remote control
- 1 NTSC composite video output for additional screens
- OSD- On Screen Display menu control
- High performance audio processor
- Electronic volume, bass, treble, balance and fader
 - Bass center frequency adjustment - 60, 80, 100, 130, 150 and 200Hz
 - Bass Q factor - 1.0, 1.25, 1.5 and 2.0
 - Treble center frequency adjustment - 10, 12.5, 15 and 17kHz
- Subwoofer crossover - 80, 120 and 160Hz
- Subwoofer Phase - 0, 180 degrees
- Subwoofer level - variable
- 100-ohm low impedance preamp outputs - all channels
- 5V Peak / 2V RMS RCA outputs - all channels
- 1-pair Front RCA outputs
- 1-pair Rear RCA outputs
- Single Subwoofer RCA output
- 1-pair Auxiliary RCA A/V inputs
- Flex fader
- Front panel (when screen is closed) high contrast LCD
- Rotary encoder audio control
- Joystick menu navigation

Tools and Supplies

You will need these tools and supplies to install your VM9311:

- Torx type, flat-head and Philips screwdrivers
- Wire cutters and strippers
- Tools to remove existing radio (screwdriver, socket wrench set or other tools)
- Electrical tape
- Crimping tool
- Volt meter/test light
- Crimp connections
- 18 gauge wire for power connections
- 16 – 18 gauge speaker wire

WARNING! Only connect the unit to a 12-volt power supply with proper grounding.

WARNING! Never install this unit where operation and viewing could interfere with safe driving conditions.

WARNING! To reduce the risk of a traffic accident (except when using for rear view video camera) never use the video display function while driving the vehicle. This is a violation of federal law.

WARNING! Never disassemble or adjust the unit.

WARNING! To prevent injury from shock or fire, never expose this unit to moisture or water.

WARNING! Never use irregular discs.

WARNING! To prevent damage to the mechanism inside this unit, avoid impact to the TFT monitor.

WARNING! Using an improper fuse may cause damage to the unit and result in a fire.

WARNING! To prevent damage to the screen, avoid touching it with your fingers or other objects.

WARNING! The monitor employs an automatic motorized mechanism. To prevent damage to the core mechanism, please do not push, pull or swivel the monitor manually.

Optional Accessories

iAUX³ READY (Sold Separately)

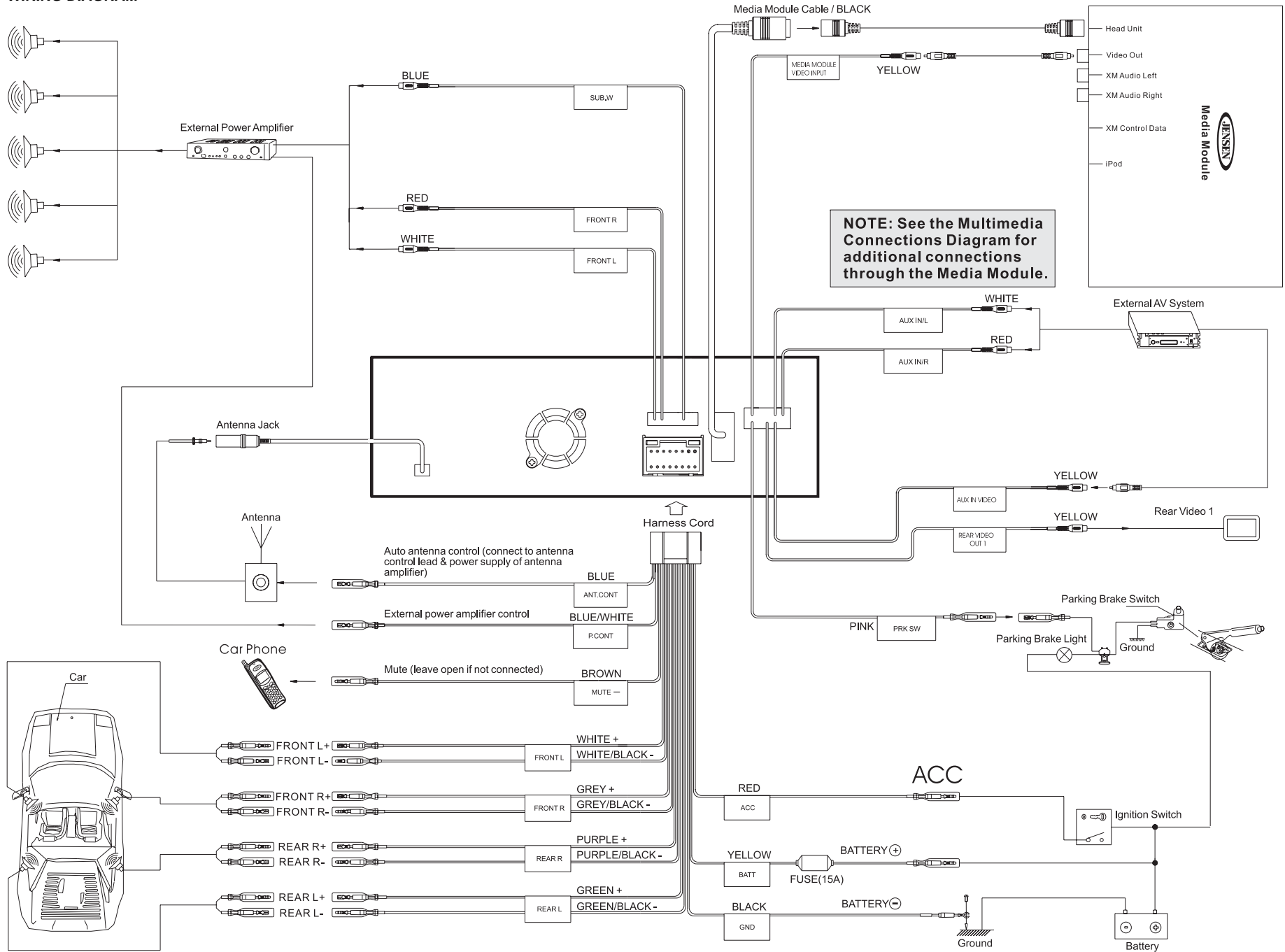
- Can connect to any portable media device or multimedia device using a standard 3.5mm plug.
- Converts 3.5mm auxiliary input to RCA stereo outputs for easy connection to the radio's auxiliary inputs.

Disconnecting the Battery

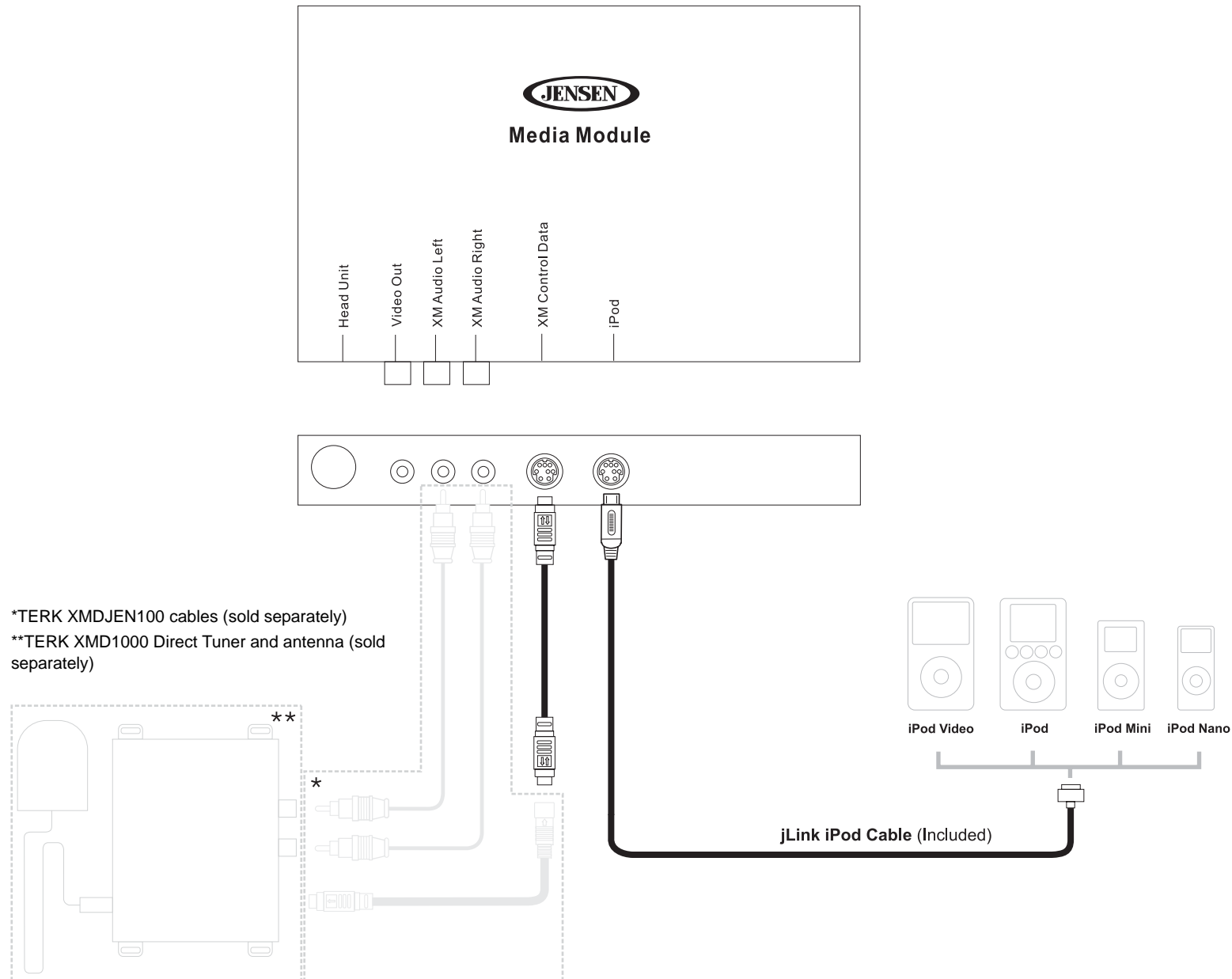
To prevent a short circuit, be sure to turn off the ignition and remove the negative (-) battery cable prior to installation.

NOTE: If the VM9311 is to be installed in a car equipped with an on-board drive or navigation computer, do not disconnect the battery cable. If the cable is disconnected, the computer memory may be lost. Under these conditions, use extra caution during installation to avoid causing a short circuit.

WIRING DIAGRAM



WIRING DIAGRAM - MULTIMEDIA CONNECTIONS

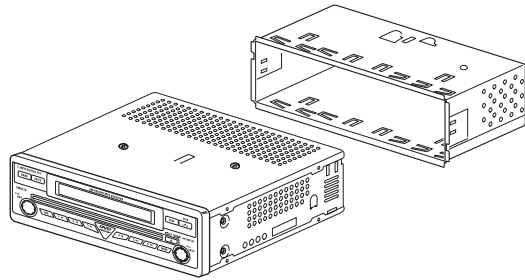


INSTALLATION

Pre-installation

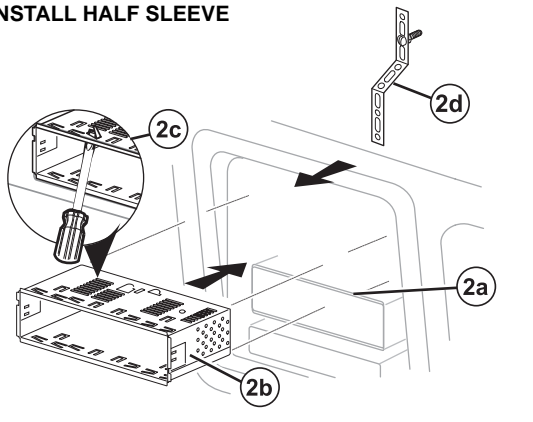
1. Press the metal levers on both sides to remove the half-sleeve from the radio.

PREPARE RADIO



2. Install the half-sleeve.
 - a. Install adaptor if necessary (optional).
 - b. Install half-sleeve into adaptor or dashboard (only use the supplied screws). Do not force the sleeve into the opening or cause it to bend or bow.
 - c. Locate the series of bend tabs along the top, bottom and sides of the mounting sleeve. With the sleeve fully inserted into the dashboard opening, bend as many of the tabs outward as necessary so that the sleeve is firmly secured to the dashboard.
 - d. Install support strap to make the unit more stable.

INSTALL HALF SLEEVE



CAUTION! Be careful not to damage the car wiring.

4. Place the radio in front of the dashboard opening so the wiring can be brought through the mounting sleeve.

Wiring

Complete wiring as illustrated in the wiring diagrams on pages 3 and 4. Once the wiring is complete, reconnect the battery negative terminal. If there is no ACC available, connect the ACC lead to the power supply with a switch.

NOTE: When replacing a fuse, be sure to use correct type and amperage to avoid damaging the radio. The VM9311 uses one 15 amp mini-ATM fuse, located in the black filter box in-line with the main wire harness.

Final Installation

After completing the wiring connections, turn the unit on to confirm operation (ignition switch must be on). If unit does not operate, recheck all wiring until problem is corrected. Once proper operation is achieved, turn off the ignition switch and proceed with final mounting of the chassis.

1. Connect wiring adaptor to existing wiring harness.
2. Connect antenna lead.
3. Carefully slide the radio into the half-sleeve making sure it is right-side-up until it is fully seated and the spring clips lock it into place.

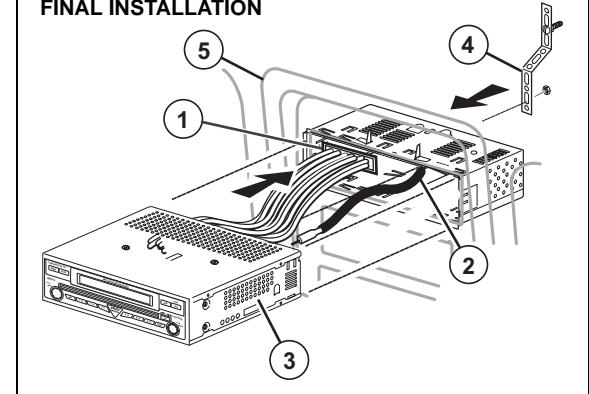
NOTE: For proper operation of the CD/DVD player, the chassis must be mounted within 20° of horizontal. Make sure the unit is mounted within this limitation.

4. Attach one end of the perforated support strap (supplied) to the screw stud on the rear of the chassis using the hex nut provided. Fasten the other end of the perforated strap to a secure part of the dashboard either above or below the radio using the screw and hex nut provided. Bend the strap to position it as necessary.

CAUTION! The rear of the radio must be supported with the perforated strap to prevent damage to the dashboard from the weight of the radio or improper operation due to vibration.

5. Replace any items you removed from the dashboard.

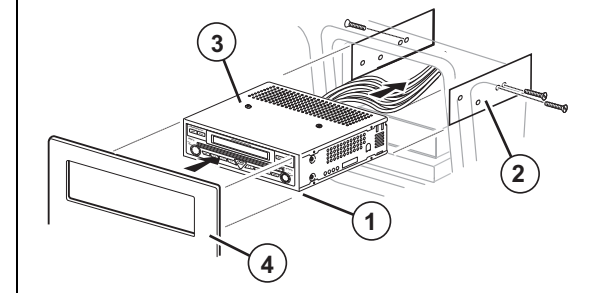
FINAL INSTALLATION



Final ISO-DIN Installation

1. Remove trim ring.
2. Mount factory brackets on new radio using existing screws from old radio.
3. Slide radio chassis into dash opening and secure.
4. Reinstall dash panel.

FINAL ISO-DIN INSTALLATION



CONTROLS AND INDICATORS

Button Operation

1. OPEN

Press the **OPEN** button (1) to activate the automatic mechanical system and move the TFT monitor into viewing position. Press again to close the TFT.

2. WIDE/PICTURE

Press the **WIDE/PICTURE** button (2) to adjust the display aspect of the picture to one of three settings: Cinema, Full or Normal. *Press and hold* to access picture settings.

3. (▲)

Press the ▲ button (3) to adjust the upward tilt angle of the screen one step at a time. *Press and hold* this button to *continuously* adjust the upward tilt or picture settings.

4. (▼)

Press the ▼ button (4) to adjust the downward tilt angle of the screen one step at a time. *Press and hold* this button to *continuously* adjust the downward tilt or picture settings.

5. DISP

Press the **DISP** button (5) to display system information on the screen.

6. VOL/LOC/DX

Rotate the **VOL/LOC/DX** knob (6) to adjust the volume. *Press and release* to enter and/or confirm audio settings. *Press and hold* to activate the Local (LOC) setting.

7. POWER/MUTE

Press the **POWER/MUTE** button (7) once to turn the unit on. Press again to mute the volume. *Press and hold* to turn the unit off.

NOTE: The VM9311 features *Softmute*, which will allow the volume to increase or decrease gradually when the **MUTE** function is activated or deactivated.

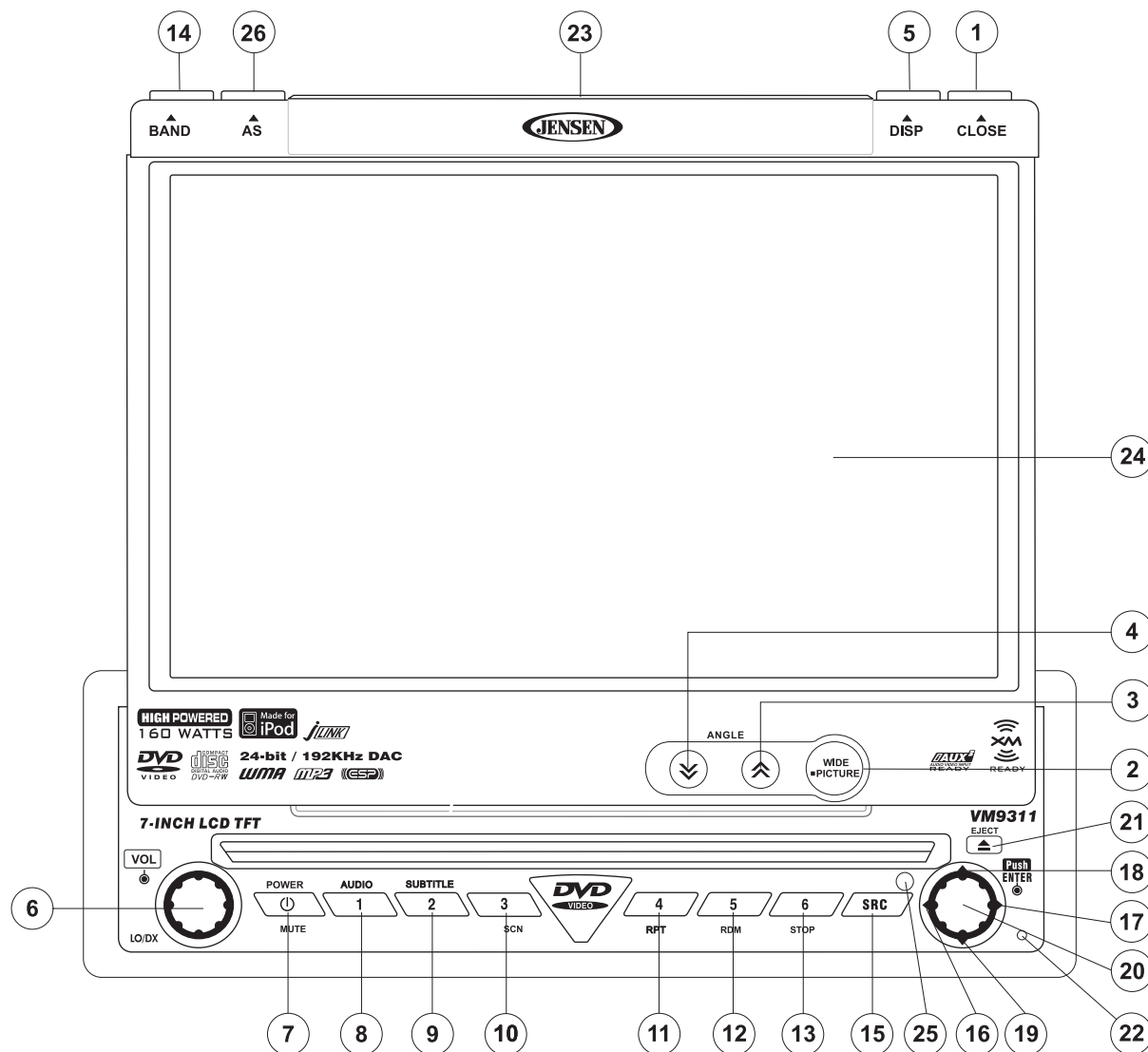
8. 1/AUDIO

DVD Mode: Press to select audio language during playback.
TUNER Mode: Press once to play preset radio station channel 1. *Press and hold* to store the current radio station in preset channel 1.

9. 2/SUBTITLE

DVD Mode: Press once to select the subtitle language during playback.

TUNER Mode: Press once to play preset radio station channel 2. *Press and hold* to store the current radio station in preset channel 2.



CONTROLS AND INDICATORS

10. 3/SCN

DVD Mode: Press once to start scan playback.

TUNER Mode: Press once to play preset radio station channel 3. *Press and hold* to store the current radio station in preset channel 3.

11. 4/REP

DVD Mode: Press once to start repeat playback.

TUNER Mode: Press once to play preset radio station channel 4. *Press and hold* to store the current radio station in preset channel 4.

12. 5/RDM

DVD Mode: Press once for random playback.

TUNER Mode: Press once to play preset radio station channel 5. *Press and hold* to store the current radio station in preset channel 5.

13. 6/STOP

DVD Mode: Press once to stop playback.

TUNER Mode: Press once to play preset radio station channel 6. *Press and hold* to store the current radio station in preset channel 6.

14. BAND

TUNER Mode: Press to switch between FM and AM.

15. SRC

Press once to select playing mode.

16. (◀)

DVD Mode: Press once to play back previous chapter/track.

TUNER Mode: Press once to auto search for the previous available radio station.

MENU Mode: Press once to move the cursor to the left.

17. (▶)

DVD Mode: Press once to enter the next chapter or track.

TUNER Mode: Press once to auto-search the next available radio station.

MENU Mode: Press once to move the cursor to the right.

18. (▲)

DVD Mode: Press once for fast forward.

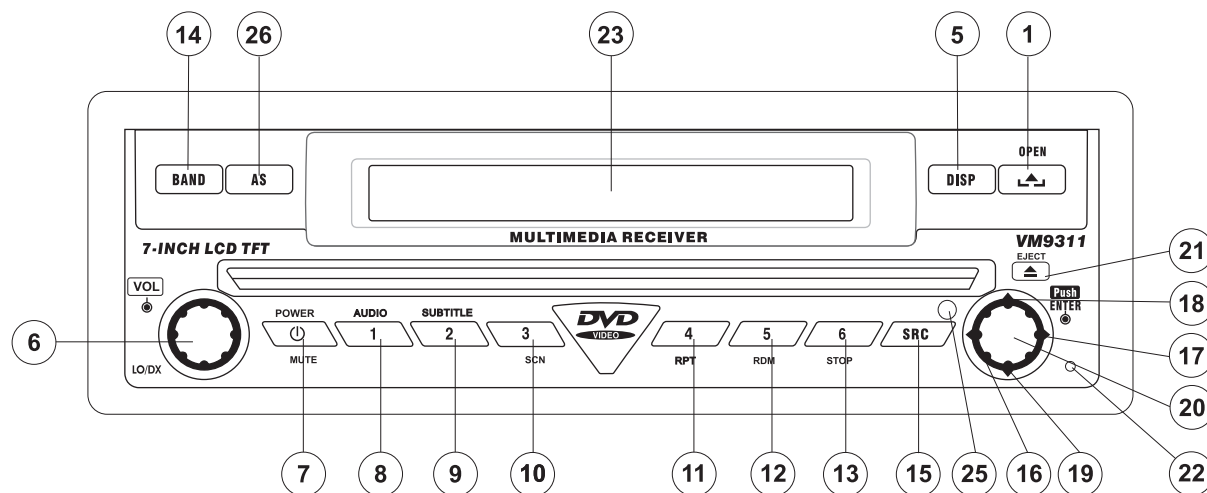
TUNER Mode: Press to go up one frequency step.

MENU Mode: Press once to move the cursor up.

19. (▼)

DVD Mode: Press once for slow forward.

TUNER Mode: Press to go down one frequency step.



MENU Mode: Press once to move the cursor down.

20. PLAY/ENTER

DVD Mode: Press once to start a playback.

Press once to confirm a selection.

21. (▲)

Press once for disc insertion/ejection.

Press and hold to reset core mechanism position.

22. RESET

Press to reset system settings to factory default (except the password and parental lock setting).

23. LCD Display

24. TFT Display

25. IR Remote Control Receiver

26. AS (Auto Store)

Press to auto store strong radio stations in the six preset channels in the current band.

CONTROLS AND INDICATORS

LCD Display/Indicators

1. Disc Indicator

Illuminated when disc is loaded

2. DVD Playback Indicators (SCN/RPT/RDM/ALL)

The following DVD playback indicators become illuminated when the corresponding function is active:

- SCN: scan playback
- RPT: repeat playback
- RDM: random playback
- ALL: playback all chapters

3. Loudness Indicator (LOUD)

The loudness indicator becomes illuminated when the LOUD function is activated.

4. Main Display

The main display is an 8 digit, 14 segment LCD which displays the time, tuning frequency and other text information.

5. Channel/Disc Display

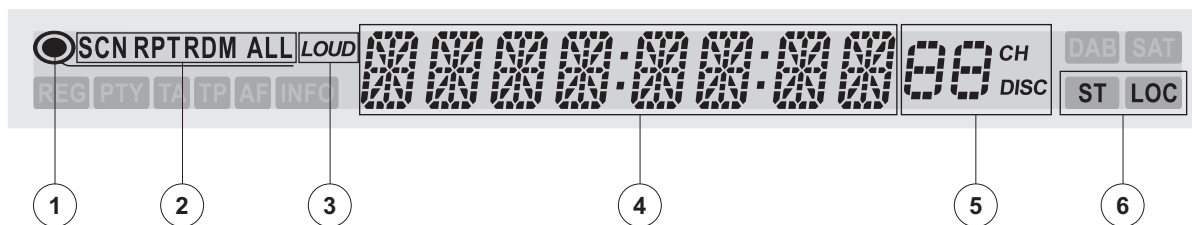
The channel/disc display is a 2 digit, 7 segment LCD display which displays the disc number or radio channel indicators when the corresponding function is active:

- CH: radio is activated
- DISC: DVD/CD mode is activated

6. Stereo/Local Indicator

The stereo/local indicator illuminates one of the following indicators when the corresponding function is active:

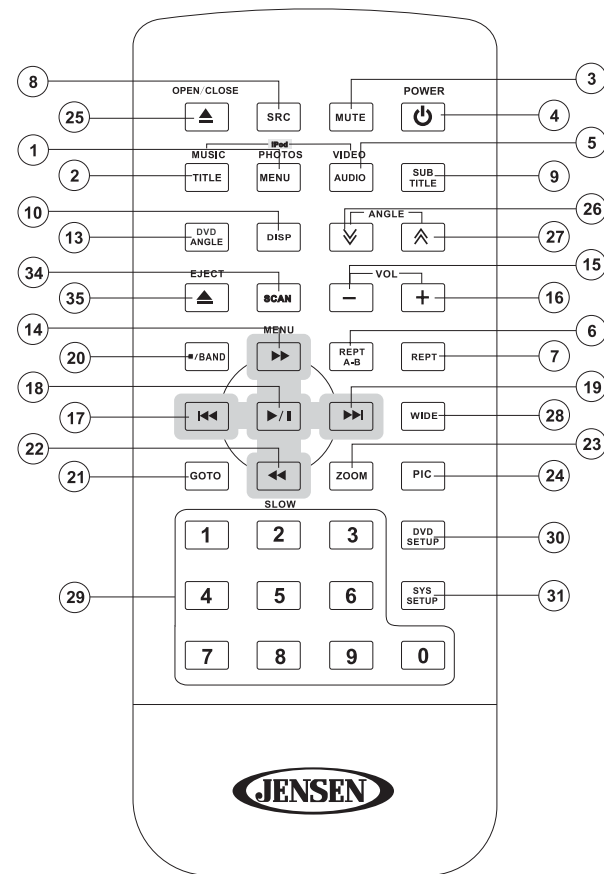
- ST: radio is in stereo mode
- LOC: local radio station seeking function is activated



REMOTE CONTROL

Table 1: Remote Control Functions

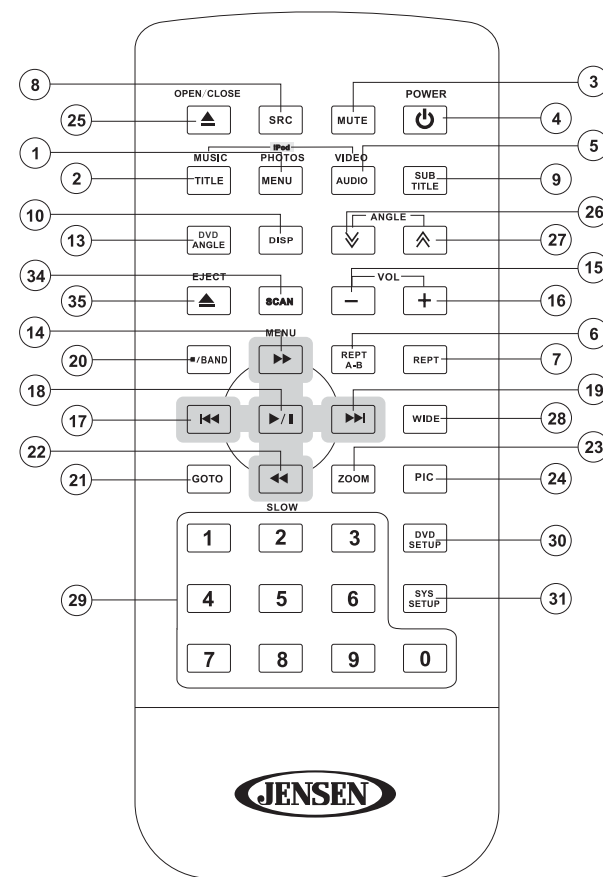
Button		Function					
Name/Ref #		DVD	VCD	AM/FM	CD/MP3	XM	iPod
MENU	1	Enters the main menu of the disc	Turns on PBC when playing VCD			Displays XM Setup Menu	Selects Photo mode
TITLE	2	Enters the title menu of the disc	Plays first ten seconds of each chapter/title				Selects Music mode
MUTE	3	Toggles on/off audio output	Toggles on/off audio output	Toggles on/off audio output	Toggles on/off audio output	Toggles on/off audio output	Toggles on/off audio output
POWER	4	Turns the power on/off	Turns the power on/off	Turns the power on/off	Turns the power on/off	Turns the power on/off	Turns the power on/off
AUDIO	5	Changes the audio language for disc playback					Selects Video mode
REPT A-B	6	Setup to repeat playback from time frame A to time frame B	Setup to repeat playback from time frame A to time frame B				
REPT	7	Repeats playback of current chapter	Repeats playback of current chapter		Repeats playback of current track	Selects Category Mode	Repeats playback of current track
SRC	8	Selects playing mode	Selects playing mode	Selects playing mode	Selects playing mode	Selects playing mode	Selects playing mode
SUBTITLE	9	Language selection for subtitle					
DISP	10	Displays playing information	Displays playing information	Displays playing information	Display playing information	Displays playing information	Display playing information
ANGLE	13	Plays back disc in different angle for a scene	Plays back Picture CD with different angle of picture displayed				
▶▶	14	Fast forwards the disc content	Fast forwards the disc content		Fast forwards the disc content		Accesses iPod Menu
VOL -	15	Decreases volume	Decreases volume	Decreases volume	Decreases volume	Decreases volume	Decreases volume
VOL +	16	Increases volume	Increases volume	Increases volume	Increases volume	Increases volume	Increases volume
◀◀	17	Selects the previous chapter for playback	Selects the previous chapter for playback	Searches an available radio station by decreasing tuning frequency	Selects the previous track for playback	Searches an available radio station by decreasing tuning frequency	Pauses playback/starts playback
▶/II	18	Pauses playback/starts playback	Pauses playback/starts playback	Scans FM/AM radio station; plays/stores radio station; deletes radio station	Pauses playback/starts playback	Scans XM radio station; plays/stores radio station; deletes radio station	



NOTE: Your remote control may differ slightly from the one pictured here. The above diagram is for illustrative purposes only.

Table 1: Remote Control Functions

Button		Function					
Name/Ref #		DVD	VCD	AM/FM	CD/MP3	XM	iPod
	19	Selects the next chapter for playback	Selects the next chapter for playback	Searches an available radio station by increasing tuning frequency	Selects the next track for playback	Searches an available radio station by increasing tuning frequency	Selects the next track for playback
	20	Stops playback	Stops playback	Selects FM/AM band	Stops playback	Selects XM, XM1, XM2, or XM3 band	
GOTO	21	Goes to specific time frame and playback	Goes to specific time frame and playback				
	22	Slow Playback/Rewinds playback	Slow Playback/Rewinds playback				
ZOOM	23	Zooms in/out on an image	Zooms in/out on an image				
PIC	24	Displays set-up parameters	Displays set-up parameters				
OPEN/CLOSE	25	Opens/Closes the TFT monitor	Opens/Closes the TFT monitor	Opens/Closes the TFT monitor	Opens/Closes the TFT monitor	Opens/Closes the TFT monitor	Opens/Closes the TFT monitor
	26	Decreases monitor tilt angle	Decreases monitor tilt angle	Decreases monitor tilt angle	Decreases monitor tilt angle	Decreases monitor tilt angle	Decreases monitor tilt angle
	27	Increases monitor tilt angle	Increases monitor tilt angle	Increases monitor tilt angle	Increases monitor tilt angle	Increases monitor tilt angle	Increases monitor tilt angle
WIDE	28	(For DVD, SD card with Video, Camera, and AUX IN) Selects display mode: CINEMA, NORMAL or OFF	Selects display mode: CINEMA, NORMAL or OFF	Selects display mode: CINEMA or OFF	Selects display mode: CINEMA, NORMAL or OFF	Selects display mode: CINEMA or OFF	Selects display mode: CINEMA or OFF
0, 1, 2, 3, 4, 5, 6, 7, 8, 9, 0 (Numeric Keypad)	29	Directly accesses chapter		1-6 selects preset for current band	Directly accesses track	1-6 selects preset for current band	
DVD SETUP	30	Displays DVD Setup menu	Displays DVD Setup menu	Displays DVD Setup menu	Displays DVD Setup menu	Displays DVD Setup menu	Displays DVD Setup menu
SYS SETUP	31	Displays System Setup menu	Displays System Setup menu	Displays System Setup menu	Displays System Setup menu	Displays System Setup menu	Displays System Setup menu
SCAN	34				Plays the first ten seconds of each track		
EJECT	35	Ejects disc	Ejects disc	Ejects disc	Ejects disc	Ejects disc	Ejects disc



NOTE: Your remote control may differ slightly from the one pictured here. The above diagram is for illustrative purposes only.

USING THE TFT MONITOR

Open/Close TFT Monitor

Press the **OPEN** button (1) on the front panel or press the (▲) button (25) of the front zone remote control to activate the mechanism that moves the display panel into the viewing position.

Press the **OPEN** button (1) on the front panel or press the (▲) button (25) of the front zone remote control to load the display panel back into the compartment.

TFT Monitor Auto Open

If "TFT Auto Open" is "on" when the unit is turned on, the monitor automatically moves to the viewing position.

If "TFT Auto Open" is "off" when the unit is turned on, press the **OPEN** button (1) or (▲) button (25) on the front zone remote control to move the monitor into the viewing position.

If "TFT Auto Open" is set to "Manual", the TFT will not close when the key is turned off.

Monitor Tilt Angle Adjustment

A known characteristic of LCD panels is the quality of the display in relationship to the viewing angle. The monitor angle can be adjusted for optimum viewing using one of the following methods:

Step by Step Angle Adjustment

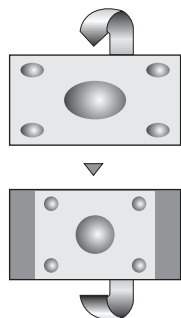
Press the (▲) or (▼) button (3, 4) on the monitor frame to adjust the tilt angle of the screen one step at a time.

Continuous Angle Adjustment

Press and hold the (▲) or (▼) button (3, 4) on the monitor frame to adjust the tilt angle in a continuous motion.

Aspect Ratio

Press the **WIDE** button (28) on the remote control or **WIDE/PICTURE** button (2) on the monitor to adjust the aspect ratio as follows:



CINEMA

The entire screen is extended horizontally to the aspect ratio of 16 to 9. The extension ratio is the same at any point.

NORMAL

The conventional display image has a 4 to 3 ratio of horizontal to vertical, leaving a blank area on the right and left sides of the display.

OFF

Image Setting

Table 2 shows the video output mode for each playing source.

Table 2: Video Output Modes

Playing Source	Video Output Modes
AM/FM TUNER	YUV Mode
XM TUNER	YUV Mode
iPod	YUV Mode
DVD	YUV Mode
AUX IN	CVBS Mode

*CVBS – Composite Video Baseband Signal

Parameter Adjustment Procedure

- Enter Picture Quality Setting mode:**
Press the **PIC** button (24) on the remote or *press and hold* the **WIDE/PICTURE** button (2) on the monitor panel.
- Select Item to Set:**
Press the (>>) (<<) buttons (14, 22) on the remote or *press and hold* the (Λ) or (V) buttons (18, 19) on the monitor panel.
- Set Parameters:**
Press (|<<) (>>|) buttons (17, 19) on the remote or press (<) (>) buttons (16, 17) on the monitor panel.
- Exit Picture Quality Setting Mode:**
Press the **PIC** button (24) on the remote or *press and hold* the **WIDE/PICTURE** button (2) on the monitor panel.

Parking Brake

Parking Brake Inhibit

When the pink "Parking" wire is connected to the vehicle brake switch, the front TFT monitor will display video only when the parking brake sequence is engaged. Before starting the parking brake sequence, the radio must be on with the video media disc inserted and playing.

Parking Brake Sequence

There are two situations that can start the Parking Brake Sequence:

- Parking brake is engaged (on) when the vehicle is started or the accessory/ignition is turned on. To activate video, the following sequence of events must be completed:
 - Release parking brake for 2 seconds.
 - Reapply the parking brake for 2 seconds.

- Video should be displayed on the TFT monitor within 1 ~ 2 seconds.
- Parking brake is disengaged (off) when the vehicle is started or the accessory/ignition is turned on. To activate video, the following sequence of events must be completed:
 - Set parking brake for 2 seconds.
 - Release parking brake for 2 seconds.
 - Reapply parking brake.
 - Video should be displayed on the TFT monitor within 1 ~ 2 seconds.

Monitor Movement Mechanism

If an obstruction occurs in the monitor path, the following protective measurements can be executed to prevent damage to the mechanism or monitor:

Table 3: Monitor Protective Measures

Obstruction	Self Protection	OPEN Button Pressed	Power Reconnected
Monitor loading out horizontally	Monitor is automatically loaded into unit	Monitor fully extended horizontally	Monitor is automatically loaded into unit
Monitor loading in horizontally	Unit stops at obstruction point	Monitor fully extended horizontally	Monitor is automatically loaded into unit
Monitor loading out vertically	Unit stops at obstruction point	Monitor swivels back to the unit	Monitor swivels back to the unit
Monitor loading in vertically	Unit stops at obstruction point	Monitor swivels back to the unit	Monitor swivels back to the unit

After the protective procedure is executed, normal operation is resumed by pressing the **OPEN** button (1) or disconnecting and reconnecting the power.

OPERATING INSTRUCTIONS

Power On / Off

Press the **⏻/MUTE** button (1) to turn the unit on. The buttons on the front of the unit light up and "WELCOME" appears briefly in the LCD panel (17), followed by the current mode status. If the TFT screen is open, only the current mode status is displayed.

Press and hold the **⏻/MUTE** button (1) on the front panel or the **POWER** button (4) on the remote to power off the unit. The monitor is drawn back into the main compartment and the LCD screen displays "BYE-BYE".

Audible Beep Confirmation

An audible beep tone confirms each function selection. The beep tone cannot be disabled.

Mute

Press the **⏻/MUTE** button (1) on the front panel or the **MUTE** button (3) on the remote to mute the volume from the unit. Press the **MUTE** button again to restore the volume. "MUTE" is displayed on the LCD monitor. Adjusting the volume or using any of the audio set-up features cancels the mute function.

Playing Source Selection

Press the **SRC** button (15) on the front panel or the **SRC** button (8) on the remote to change between available playing sources in the following order: Tuner, DVD/CD, XM, iPod, Aux In, Camera (rear view video camera) and TV. The playing mode is displayed on the TFT and LCD screens.

AUX IN Mode

An external peripheral device can be connected to this unit via standard RCA connectors for video and left/right audio.

Volume Adjustment

To increase or decrease the volume level, turn the **ROTARY ENCODER** (6) on the front panel or press the **VOL+/VOL-** buttons (15, 16) on remote control. When the volume level reaches "0" or "40", a beep sounds, indicating that the adjustment limit has been reached. The volume ranges from "0" to "40". The LCD or TFT screen displays the volume level for 3 seconds.

Programmable Turn-On Volume

This feature allows the user to select a turn-on volume setting regardless of the volume setting prior to turning the unit off. To program a specific volume level, push and hold the **AUDIO** button (2) while the yellow volume bar is displayed on

the screen. The unit will beep two times to confirm your turn-on volume setting.

Audio Control Menu

The Audio Control feature allows you to easily adjust your audio system to meet the acoustical characteristics of your vehicle, which vary depending on the type of vehicle and its measurements. To get the best possible sound quality from your new system, be sure to adjust the settings for the speakers as well. Proper setting of the Fader and Balance boosts the effects of the cabin equalizer.

Accessing the Audio Control Menu

Press the **VOL/LOC/DX** knob (6) on the front panel once to display the "AUDIO" menu.

Selecting an Audio Feature for Adjustment

Continuously press the **VOL/LOC/DX** knob (6) on the front panel, or press the (**>>**)/(**<<**) buttons (14, 22) on the remote control or the (**⏻**)/(**⏩**) buttons (18, 19) on the joystick to select the audio feature to be adjusted.

Adjusting an Audio Feature

Rotate the **VOL/LOC/DX** knob (6), press the (**|<<**)/(**>>|**) buttons (17, 19) on the remote control, or press the (**<**)/(**>**) buttons (16, 17) on the joystick to adjust the selected feature to the desired setting.

Table 4: Audio Adjustments

Audio Function	Adjustable Range
EQ	User
	Flat
	Jazz
	Pop
	Classical
	Rock
Bass	-14 to +14
Treble	-14 to +14
Fader	-7 to +7
Balance	-9 to +9
Sub	-9 to +9
Loud	Off, 1-4

NOTE: The Bass and Treble levels are only adjustable when EQ is set to "User" mode.

Loudness

- The Loudness level/function is dependent on the main volume setting. As the volume is increased, less Loudness compensation is applied to the audio signal. This is referred to "Auto-Loudness". The possible loudness settings are as follows:
- Off
- 1 - Slight bass boost at low volume level
- 2 - Moderate bass boost at low volume level
- 3 - Good bass boost at low to mid volume level
- 4 - maximum bass boost at mid volume level

Exiting the Audio Control Menu

Press and hold the **VOL/LOC/DX** knob (6) or stop making adjustments for a few seconds to exit the audio control menu.

System Reset

To correct a system halt or other illegal operation, use the tip



of a pen to press the **RESET** button (22) located on the front bottom-right corner of the unit. After a system reset, the unit restores all factory default settings.

NOTE: If the unit is reset while a DVD is playing, the DVD resumes play once the reset is complete.

Line Mute

If the "MUTE" wire is connected, audio output mutes when a telephone call is received by the car phone or when verbal navigation is performed (external navigation input required).

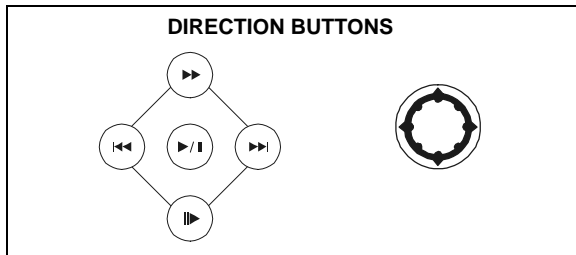
SYSTEM SETUP MENU

In "System Setup" mode, "ASP CONFIG" and "GENERAL SETUP" are available for adjustment. Setup can be performed by pressing the dedicated button on the remote control or on the front panel. For system settings, press the **SYS SETUP** button (31) on the remote control to enter the "System Setup" menu. "ASP CONFIG" is highlighted in green.

General Setup Menu

Accessing the General Setup Menu

To access the "GENERAL SETUP" Menu, press the direction buttons on the joystick (16, 17, 18, 19) or remote control (14, 17, 18, 19, 22) to highlight "GENERAL SETUP" in green.



Press the >|| button (18) on the remote control to enter the "GENERAL SETUP" menu. A menu appears with the option for the first item, "Radio", highlighted in light blue.

General Setup	
Radio	USA
Clock Mode	24Hr
Screen Saver	On
Video Format	Auto
TFT Auto Open	Off
OSD Language	English
Clock	01 : 09

Selecting a Feature for Adjustment

Press the >> or << buttons (14, 22) on the remote control or the **Λ** or **V** buttons (18, 19) on the joystick to select the feature to be adjusted.

Adjusting a Feature

1. Enter the option field for the feature you want to adjust by pressing the >|| button (18) on the remote or by pressing the **ENTER** (joystick) button (20) on the unit. A submenu appears in a second row with the selected option highlighted in light blue.
2. Select a new value by pressing the >> or << buttons (14, 22) on the remote control or the **Λ** or **V** buttons (18, 19) on the joystick.
3. Confirm your selection by pressing the <<, |<<, or >>| buttons (22, 17, 19) on the remote control, or the < or > button (16, 17) on the joystick. The new value is highlighted in light blue and setup is complete.

Table 5: General Setup Menu Features

Setting	Options	Function
Radio	USA	<ul style="list-style-type: none"> • AM Frequency Spacing - 10kHz • AM Frequency Band - 530kHz~1720kHz • FM Frequency Spacing - 200kHz • FM Frequency Band - 87.5MHz~107.9MHz
	Europe	<ul style="list-style-type: none"> • AM Frequency Spacing - 9kHz • AM Frequency Band - 522kHz~1620kHz • FM Frequency Spacing - 50kHz • FM Frequency Band - 87.5MHz~108.0MHz
	South America 1	<ul style="list-style-type: none"> • AM Frequency Spacing - 10kHz • AM Frequency Band - 530kHz~1720kHz • FM Frequency Spacing - 100kHz • FM Frequency Band - 87.5MHz~108.0MHz
	South America 2	<ul style="list-style-type: none"> • AM Frequency Spacing - 5kHz • AM Frequency Band - 520kHz~1600kHz • FM Frequency Spacing - 100kHz • FM Frequency Band - 87.5MHz~108.0MHz
	Arabia	<ul style="list-style-type: none"> • AM Frequency Spacing - 9kHz • AM Frequency Band - 531kHz~1620kHz • FM Frequency Spacing - 100kHz • FM Frequency Band - 87.5MHz~108.0MHz
	Korea	<ul style="list-style-type: none"> • AM Frequency Spacing - 9kHz • AM Frequency Band - 531kHz~1602kHz • FM Frequency Spacing - 200kHz • FM Frequency Band - 88.1MHz~107.9MHz
	China	<ul style="list-style-type: none"> • AM Frequency Spacing - 9kHz • AM Frequency Band - 522kHz~1620kHz • FM Frequency Spacing - 100kHz • FM Frequency Band - 87.5MHz~108.0MHz

Table 5: General Setup Menu Features

Setting	Options	Function
	China	<ul style="list-style-type: none"> • AM Frequency Spacing - 9kHz • AM Frequency Band - 522kHz~1620kHz • FM Frequency Spacing - 100kHz • FM Frequency Band - 87.5MHz~108.0MHz
Clock Mode	12H	Clock displays 12 hour time using AM and PM.
	24H	Clock displays 24 hour time up to 23:59.
Screen Saver	On	Turn screen saver on/off.
	Off	
Video Format (Input circuitry auto-detects the video signal from the CAMERA and Aux In video source. Video format does not affect the TV tuner - this is an NTSC TV tuner only.)	Auto	The color signal output is switched automatically based on the current video input signal - NTSC or PAL.
	NTSC	The color signals are output in the standard NTSC format.
	PAL	The color signals are output in the standard PAL format.
TFT Auto Open	On	The TFT panel automatically opens when the unit is turned on.
	Off	You must press the OPEN button (1) to open the TFT panel.
	Manual	When the ignition is turned OFF, the TFT panel DOES NOT retract if it was previously out
OSD Language	English	The menus are displayed in English only.
Clock	(HH:MM)	See "Adjusting the clock" to learn how to set the clock.
		Return to previous menu.

Adjusting the Clock


Method 1 – TFT screen open:

1. Access the “Clock” setting under the General Setup menu.
2. Press the >> or << buttons (14, 22) on the remote control or the \wedge or \vee buttons (18, 19) on the joystick to move the cursor to the “Hour” or “Min” position.
3. Press the |<< or >>| buttons (17, 19) on the remote control or the < or > buttons (16, 17) on the joystick to adjust the hour or minutes.
4. Press the << button (14) on the remote control to confirm setup.

Method 2 – TFT screen closed:

1. Press and hold the **DISP** button (5) until the clock flashes in the LCD display.
1. Press the \wedge or \vee buttons (18, 19) on the joystick to move the cursor to the “Hour” or “Min” position.
2. Press the < or > buttons (16, 17) on the joystick to adjust the hour or minutes.
3. Press the **DISP** button (5) on the unit to confirm setup.

Returning to the System Setup Menu


To return to the System Setup menu, move to , then press the >|| button on the remote control.

ASP (Audio Sound Processing) Config Menu

The ASP Config Menu allows you to make fine audio adjustments.

Accessing the ASP Config Menu

To access the “ASP CONFIG” Menu, press the direction buttons on the joystick (16, 17, 18, 19) or remote control (14, 17, 18, 19, 22) to highlight “ASP CONFIG” in green. Press the >|| button (18) on the remote control to enter the “ASP CONFIG” menu. A menu appears with the option for the first item, “Bass Center Freq”, highlighted in light blue.

<i>ASP Config</i>	
Bass Center Freq	200HZ
Treble Center Freq	17KHZ
Sub Filter	120KHZ
Sub Phase	0D
Bass Q-Factor	1.25
	


Adjusting a Feature

1. Enter the option field for the feature you want to adjust by pressing the >|| button (18) on the remote or by pressing the **ENTER** (joystick) button (20) on the unit. A submenu appears in a second row with the selected option highlighted in light blue.
2. Select a new value by pressing the >> or << buttons (14, 22) on the remote control or the \wedge or \vee buttons (18, 19) on the joystick.
3. Confirm your selection by pressing the <<, |<< or >>| buttons (14, 17, 19) on the remote control, or the < or > button (16, 17) on the joystick. The new value is highlighted in light blue and setup is complete.

Table 6: ASP Config Menu Features

Setting	Options	Function
Bass Center Freq	60Hz	According to the audio source, select the Bass Center Frequency to achieve the best Bass effect.
	80Hz	
	100Hz	
	130Hz	
	150Hz	
	200Hz	
Treble Center Freq	10KHz	According to the audio source, select the Treble Center Frequency to achieve the best Treble effect.
	12.5KHz	
	15KHz	
	17KHz	

Table 6: ASP Config Menu Features

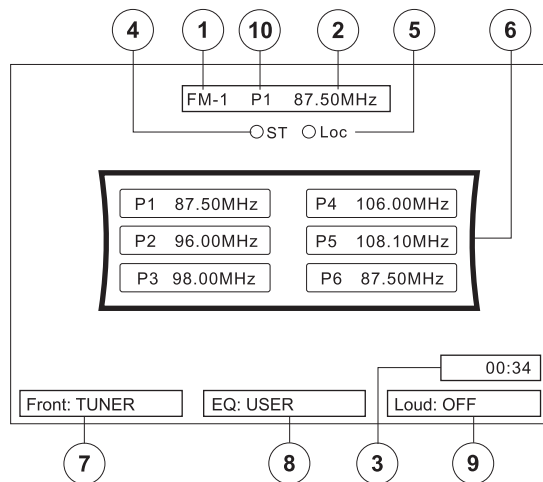
Setting	Options	Function
Sub Filter	80Hz	Selecting a crossover frequency sets a cut-off frequency of the subwoofer's LPF (low-pass filter) and the “SMALL” speakers' HPF (high-pass filter). The Crossover frequency setting has no effect if the subwoofer is set to “OFF” and any other speaker is set to “LARGE”.
	120Hz	
	160Hz	
Sub Phase	0D	Subwoofer output IN phase
	180D	Subwoofer output OUT OF phase
		<i>NOTE: Depending on your installation, reversing the subwoofer phase may increase Bass output.</i>
Bass Q-Factor	1.0	When the Bass Center Frequency is selected, adjusting the Bass Q-Factor alters the sharpness of the Bass output.
	1.25	
	1.5	
	2.0	
		Return to previous menu.

Exiting the System Setup Menu

To exit setup mode and resume normal playback, press the **SYS SETUP** button (31) on the remote control or the **DISP** button (5) on the front panel.

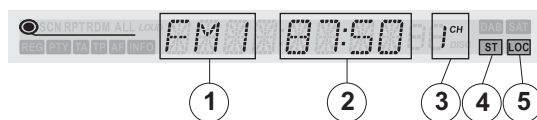
AM/FM TUNER OPERATION

Tuner TFT Display



1. Current Radio Band Indicator
2. Radio Frequency Indicator
3. Clock
4. Stereo Broadcasting Indicator
5. Local Indicator
6. Preset Radio Stations
7. Playing Mode
8. User Defined Equalizer Level
9. Loud Setting Indicator
10. Current Preset Station Indicator

Tuner LCD Display



1. Current Radio Band Indicator
2. Radio Frequency Indicator
3. Current Preset Station Indicator
4. Stereo Broadcasting Indicator
5. Strong Local Signal Broadcasting Indicator

Switch to Radio Tuner source

Press the **SRC** button (15) on the front panel or remote control (8) to switch to the RADIO TUNER source. The Tuner TFT or LCD display appears.

Select FM/AM Band

Press the **BAND** button (14) on the front panel or the remote control (20) to change between the following bands: FM1, FM2, FM3, AM1, and AM2.

Seek Tuning

Press the **>>|** button (19) on remote control or the **>** button on the joystick (17) to seek the next station higher.

Press the **|<<** button (17) on the remote control or the **<** button on the joystick (16) to seek the next station lower.

Manual Tuning

Press the **Λ** or **V** buttons (18, 19) on the joystick to increase or decrease the tuning frequency one step.

Using Preset Stations

Six numbered preset buttons store and recall stations for each band. All six stored stations (P1-P6) for the current band appear on the TFT screen.

Storing a Station

1. Select a band (if needed), then select a station.
2. Hold a preset button (8-13) for three seconds. The preset number appears in the LCD panel.

Recalling a Station

1. Select a band (if needed).
2. Press a preset button (8-13) to select the corresponding stored station.



Auto Store (AS)

To select six strong stations and store them in the current band:

1. Select a band (if needed).
2. Press the **AS** button (26) on the unit to activate the Auto Store function.

The new stations replace stations already stored in that band.

Local Radio Station Seeking (LOC)

When the Local function is on, only radio stations with a strong radio signal are played. To activate the Local function, *press and hold* the **LO/DX** button (6) on the front panel while

the yellow volume bar IS NOT displayed. *Press and hold LO/DX* again to turn Local off. When the Local function is active, the "LOC" indicator appears lit on the LCD or TFT screen.

DVD/VCD VIDEO OPERATION

NOTE: When properly installed, DVD video cannot be displayed on the main TFT screen unless the parking break is applied. If you attempt to play a DVD while the vehicle is moving, the TFT screen displays "PARKING" with a blue background. Rear video screens, if applicable, will operate normally.

Opening/Closing the TFT Video Screen

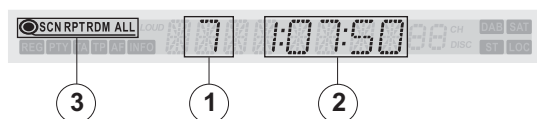
Opening the TFT Screen

To open the TFT video screen, press the **OPEN** (1) button. The unit beeps and then opens.

Closing the TFT Screen

Press the **OPEN** (1) button again to close the TFT screen. If the screen is in the "IN" position, it moves out before closing. Once the TFT screen is closed, the LCD panel displays the current status.

DVD LCD Display



1. Current Playing Chapter
2. Current Playback Time
3. SC - Scan Playback; RPT - Repeat Playback; RDM - Random Playback; ALL - Playback All Discs

Inserting a Disc

Upon inserting a DVD disc, DVD mode is entered disc play begins. If the TFT screen is closed, the DVD indicator appears lit on the LCD screen.

NOTE: If Parental Lock (Rating) is activated and the disc inserted is not authorized, the 4-digit code must be entered and/or the disc must be authorized (see "RATING (Parental Lock) Menu" on page 19).

You cannot insert a disc if there is already a disc in the unit.

NOTE: DVD-R and DVD-RW will not play unless the recording session is closed and the DVD is finalized.

Ejecting a Disc

Press the **▲** button (21) on the front panel or remote control (25) to eject the disc. The unit automatically reverts to Tuner mode.

This unit is equipped with Keyless Disc Eject, allowing you to eject a disc with the power off. The unit remains off after the disc is ejected.

Reset the Loading Mechanism

If the disc loads abnormally or an abnormal core mechanism operation occurs, press and hold the **▲** button (21) on the front panel or remote control (25) to reset the loading mechanism. Normal operation resumes.

Controlling Playback

Stopping Playback

Press the **6/STOP** button (13) on the front panel or the **■/BAND** button (20) on the remote control to stop DVD play. To resume playback, press the joystick **ENTER** button (20) on the front panel or the **>||** button on the remote control (18).

Pausing Playback

Press the joystick **ENTER** button (20) on the front panel or the **>||** button on the remote control (18) to suspend or resume disc play.

Slow Motion Playback

Press the **V** button (19) on the joystick to play the current title in slow motion at 1/2, 1/4, 1/6 or 1/7, the normal speed. Press **>||** (18) to resume normal play.

Fast Forward

Press the **>>** button (14) on the remote control or the **Λ** button (18) on the joystick to fast forward. Keep pressing and releasing the button to increase the rate from "2X" to "4X", "8X", and "20X".

Repeat Playback

Press the **4/REP** button (11) on front panel or the **REPT** button (7) on remote control to alter repeat mode according to the following:

- DVD: Repeat Title, Repeat Chapter, Repeat Off
- VCD (PBC Off): Repeat Single, Repeat Off

NOTE: For VCD play, the repeat function is not available if PBC is on.

Sectional Repeat Function (A-B)

Use the A-B function to define a specific area of a disc to repeat.

- Press the **REPT A-B** button (6) on the remote control to set the start point (A) of the repeated section.

- Press the **REPT A-B** button again once you reach the desired end point (B) of the repeated section. The selected portion of the DVD will now repeat continuously.
- Press the **REPT A-B** button again to cancel the A-B section setting and stop repeat play.

Random Playback

With a DVD, VCD, or CD playing, press the **5/RDM** button (12) on the front panel or the **RDM** button (33) on the remote control to activate random playback and play all chapters/tracks in random order. "Shuffle On" appears on the screen. Press the **>>|** button (19) on the remote control or the **>** button on the joystick (17) to play the next random track. Press the **RDM** button again to turn random play off. "Shuffle Off" appears on the screen.

NOTE: When a VCD is playing with PBC turned "On", activating random playback automatically turns PBC off.

Accessing the DVD Menu

Press the **MENU** button (1) on the remote control to recall the main DVD menu. Use the directional (arrow) buttons (**<**, **>**, **Λ** & **V**) on the joystick (16, 17, 18, 19) to select a title from the menu.

Press the **TITLE** button (2) on the remote control to select a different title for playback.

Press the **>||** button (18) on the remote control or the joystick **ENTER** button (20) to confirm your selection and begin playback.

Moving Through Chapters

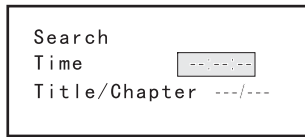
Press the **>>|** button (19) on the remote control or the **>** button on the joystick (17) to advance to the next chapter on the DVD.

Press the **|<<** button (17) on the remote control or the **<** button on the joystick (16) to move to the previous chapter.

Goto Search

During DVD or VCD playback, perform the following steps to use the GOTO feature to access a specific location on a disc:

1. Press the **GOTO** button (21) on remote control to enter "GO TO" mode.
2. Press the **>>** or **<<** buttons (14, 22) on the remote control or the **Λ** or **V** buttons (18, 19) on the joystick to select a category (highlighted in blue).
 - For DVD mode, you can choose Time or Title/Chapter search.



DVD Search

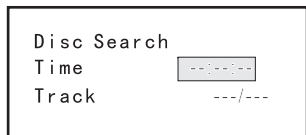
Time – Go to specific time in current title
Title/Chapter – Go to specific time in a chapter

- For VCD mode, press the **GOTO** button to choose between Track Search, Disc Search and Exit.



VCD Track Search

Time – Go to specific time in the current track
Track – Go to specific track



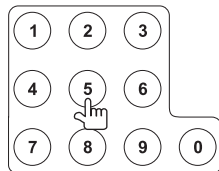
VCD Disc Search

Time – Go to specific time on disc
Track – Go to specific track

- Enter a time into the field using the numeric keypad (29) on the remote control.
- Press the **>||** button (18) on the remote control or the joystick **ENTER** button (20) to go to the specified location on the disc.
- Press the **GOTO** button again to exit.

Direct Chapter / Track Selection

During DVD, VCD and CD playback, you can use the numeric keypad on the remote control (29) to access a track directly.



Viewing an Alternate Picture Angle (DVD Only)

Some DVDs contain scenes that have been shot simultaneously from different angles. For discs recorded with multiple angles, press the **ANGLE** button (13) on the remote control to toggle available angles of the on-screen image.

Zooming

Press the **ZOOM** button (23) on the remote control to enlarge and pan through the video image using the following options: "Q1", "Q2", "Q3", and "OFF".

Multi-Language Discs (DVD Only)

Changing Audio Language

If you are watching a disc recorded in multiple languages, press the **AUDIO** button (5) on the remote control to choose a language.

Changing Subtitle Language

If you are watching a disc recorded in multiple languages with subtitles, press the **SUBTITLE** button (9) on the remote control to choose the language in which you would like the subtitles to appear.

NOTE: During VCD playback, press the AUDIO button (5) on the remote control to choose between Left Channel, Right Channel, and Stereo.

PBC (Play back Control) (VCD Only)

For VCDs with play back functionality, play back control (PBC) provides additional controls for VCD playback. Press the **MENU** button (1) on remote control to toggle the PBC function "On"/"Off". Once PBC is on, playback starts from track one of the play list.

NOTE: When PBC is activated, fast forward, slow playback, and previous/next track are available. Repeat and direct track selection are not available.

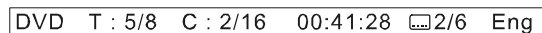
When PBC is activated, selecting random, scan, or search playback automatically deactivates PBC.

Playback Information

During DVD and VCD playback, press the **DISP** button (10) on remote control to display playback information on the screen including the media playing and current playback time.

DVD Playback Information

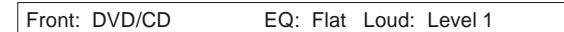
The following information is displayed at the top of the screen during DVD playback:



- T : 5/8 – "5 / 8" indicates the fifth of 8 titles on the DVD is currently playing.
- C : 2/16 – "2 / 16" indicates the second of 16 titles on the DVD is currently playing.
- 00:41:28 – "00:41:28" indicates the playback time of the current title.

- 2 / 6 Eng – The language display information indicates the second language out of 6 (English) is currently being used.

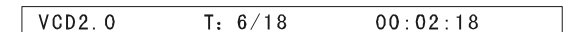
The following information appears at the bottom of the screen during DVD or CD playback:



- Front: DVD/CD – "DVD/CD" is the current playing source for the front zone.

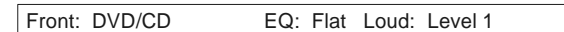
VCD Playback Information

The following information is displayed at the top of the screen during VCD playback:



- VCD2.0 – Format of current disc.
- T: 6/18 – "6/18" indicates the sixth of 18 tracks on the VCD is currently playing.
- 00:02:18 – "00:02:18" indicates the playback time of the current track.

The following information appears at the bottom of the screen during VCD playback in 2-Channel mode:



- Front: DVD/CD – "DVD/CD" is the current playing source for the front zone.
- EQ:FLAT – The equalizer setting is FLAT.
- Loud: Level 1 – The Loud option is set to Level 1 loudness.

General Disc Information

Table 7: Disc Properties

Symbol	12cm Disc Properties	Max Play Time
	Single side single layer (DVD-5) Single side double layer (DVD-9) Double side single layer (DVD-10) Double side double layer (DVD-18)	(MPEG 2 Method) 133 minutes 242 minutes 266 minutes 484 minutes
	Single side single layer (VCD)	(MPEG 1 Method) 74 minutes
	Single side single layer	74 minutes

Table 8: Disc Symbols

Symbol	Meaning
	Number of voice languages recorded. The number inside the icon indicates the number languages on the disc (maximum of 8).
	Number of subtitle languages available on the disc (maximum of 32).
	Number of angles provided (maximum of 9).
	Aspect ratios available. "LB" stands for Letter Box and "PS" stands for Pan/Scan. In the example on the left, the 16:9 video can be converted to Letter Box video.
	Indicates the region code where the disc can be played. <ul style="list-style-type: none"> • Region 1: USA, Canada, East Pacific Ocean Islands • Region 2: Japan, Western Europe, Northern Europe, Egypt, South Africa, Middle East • Region 3: Taiwan, Hong Kong, South Korea, Thailand, Indonesia, South-East Asia • Region 4: Australia, New Zealand, Middle and South America, South Pacific Ocean Islands/Oceania • Region 5: Russia, Mongolia, India, Middle Asia, Eastern Europe, North Korea, North Africa, North-West Asia • Region 6: Mainland China • ALL: All regions

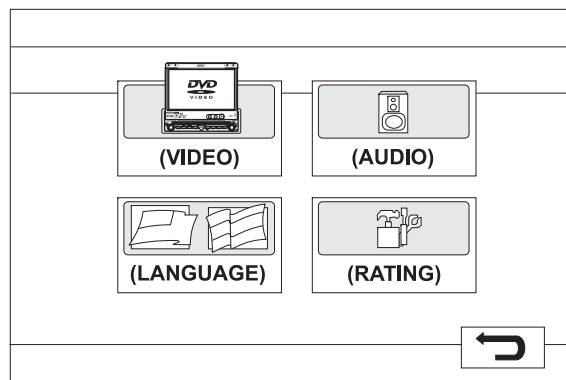
DVD/DISC SETUP MENU

NOTE: A DVD/disc must be loaded into the mechanism and playing prior to accessing the DVD Setup menu. While the DVD/disc is playing, press the DVD SETUP button on the remote to access the DVD Setup menu.

In "DVD Setup" mode, "LANGUAGE", "VIDEO", "AUDIO" and "RATING" (parental lock) are available for setup. This operation can be performed using the remote control or joystick controls.

Accessing the DVD Setup Screen

For system settings, press the **DVD SETUP** button (31) on the remote control to enter the "DVD Setup" menu. "LANGUAGE" is highlighted in green.



NOTE: Once the DVD setup is complete, the settings are memorized. To return to the factory default settings, press the RESET button (22) on the front panel.

Accessing a Menu

To access a menu (LANGUAGE, VIDEO, AUDIO or RATING), press the direction buttons on the joystick (16, 17, 18, 19) or remote control (14, 17, 18, 19, 22) to highlight the desired menu in green.

Selecting a Feature for Adjustment

Once inside a menu, press the >> or << buttons (14, 22) on the remote control or the Λ or ∇ buttons (18, 19) on the joystick to select the feature to be adjusted.

Adjusting a Feature

1. Enter the option field for the feature you want to adjust by pressing the >|| button (18) on the remote or by pressing the **ENTER** (joystick) button (20) on the unit. A

submenu appears in a second row with the selected option highlighted in light blue.

2. Select a new value by pressing the >> or << buttons (14, 22) on the remote control or the Λ or ∇ buttons (18, 19) on the joystick.
3. Confirm your selection by pressing the <<, |<<, or >>| buttons (22, 17, 19) on the remote control, or the < or > button (16, 17) on the joystick. The new value is highlighted in light blue and setup is complete.

LANGUAGE Menu

If a DVD supports more than 1 Subtitle or Audio language, all the languages are available for selection during playback. If the selected language is not supported by the DVD, then the default language is used. During playback, press the **SUBTITLE** (9) or **AUDIO** (5) button on the remote control to change the language directly. This will not effect the DVD menu settings.

Table 9: LANGUAGE Menu Features

Setting	Options	Function
Subtitle	English	Select the default language in which you would like subtitles (if applicable) to be displayed.
	Chinese	
	Auto	
	Off	
Audio	English	Select the default language in which you would like audio (when optional) to be played.
	Chinese	
DVD Menu	English	Select the default language in which you would like the DVD menu (if applicable) to be displayed.
	Chinese	
		Return to previous menu.

VIDEO Menu

Table 10: VIDEO Menu Features

Setting	Options	Function
TV Shape (Aspect Ratio)	4:3 PS	With 16:9 display, the left and right sides are cut off.
	4:3 LB	With 16:9 display, the top and bottom are cut off.
	16:9	Image is presented in wide view with a 16:9 aspect ratio.
Angle Mark	On	Angle indicator (if applicable) is shown.
	Off	Angle indicator is not shown.
		Return to previous menu.

NOTE: For standard discs not formatted for "widescreen", use of the 16:9 aspect ratio will result in image distortion.

AUDIO Menu

Table 11: AUDIO Menu Features

Setting	Options	Function
DRC	Off	Employ the Dynamic Range Control for better playback for low volumes.
	On	
		Return to previous menu.

RATING (Parental Lock) Menu

The DVD system has a built-in parental lock feature to prevent unauthorized persons from viewing restricted disc content. By default, the rating system is unlocked. Once setup, the parental lock is released only by entering the correct password. Once the password is entered, rating is available for setup.

Table 12: RATING Menu Features

Setting	Options	Function
Password	----	Enter a 4-digit password to activate the "Rating" feature.

Table 12: RATING Menu Features

Setting	Options	Function
Rating	1. Kid Safe	Select the appropriate rating level for the intended audience. You may override higher ratings by using your password.
	2. G	
	3. PG	
	4. PG-13	
	5. PG-R	
	6. R	
	7. NC-17	
	8. Adult	
Load Factory	Reset	Select "Reset" to restore the factory default settings for the <i>Rating system only</i> .
		Return to previous menu.

To reset the password, enter the "RATING" menu and enter the current password. Once the correct password is entered, you can access the "Password" field and enter a new one.

NOTE: Record the password and keep it in a safe place for future reference. The rating for each disc is marked on the disc, disc packing, or documentation. If the rating is not available on the disc, the parental lock feature is unavailable. Some discs restrict only portions of the disc and the appropriate content will play. For details, please refer to the disc description.

DVD/DISC AUDIO OPERATION

Instructions for TFT control and Insert/Eject are the same for DVD, CD and MP3 operation. Please see the DVD/Disc Video Operation section for information about these topics.

The VM9311 will play music or other audio files from the following disc media:

- CD-DA
- CD-R/RW with MP3 or WMA files
- DVD
- DVD-R/RW with MP3 or WMA files

Upon inserting a disc with the TFT screen open, the disc and track title (if available), along with the track number and playing time appear on the screen.

Controlling Playback

Stopping Playback

Press the **6/STOP** button (13) on the front panel or the **■/BAND** button (20) on the remote control to stop disc play.

To resume playback, press the **ENTER** button, or the joystick (20), on the front panel or the **>||** button on the remote control (18).

Pausing Playback

Press the **ENTER** button, or the joystick (20), on the front panel or the **>||** button on the remote control (18) to suspend or resume disc play.

Moving Through Tracks

Press the **>>|** button (19) on the remote control or the **>** button on the joystick (17) to advance to the next track on the disc.

Press the **|<<** button (17) on the remote control or the **<** button on the joystick (16) to move to the previous track.

Repeat Playback

Press the **4/REP** button (11) on front panel or the **REPT** button (7) on remote control to alter repeat mode according to the following:

- DVD: Repeat Title, Repeat Chapter, Repeat Off
- CD-DA: Repeat Single, Repeat Off
- CD-R/RW: Repeat Single, Repeat Off
- DVD-R/RW: Repeat Single, Repeat Off

Track Scan Select (CD-DA discs only)

During disc play, press the **3/SCN** button (10) on the unit or the **SCAN** button (34) on the remote control to play the first 10 seconds of each track. When a desired track is reached, press the **SCN** button again to cancel the function and play the selected track.

Random Play Select

During disc play, press the **5/RDM** button (12) to play the tracks on the disc in a random, shuffled order. In Random Play mode, you can Press the **|<<** or **>>|** button (17, 19) on remote control or the **<** or **>** button (16, 17) on the joystick to select a track in random order instead of the normal progression. Press **5/RDM** again to cancel Random Play mode.

NOTE: CD-R and CD-RW will not play unless the recording session is closed.

Fast Forward

Press the **>>** button (14) on the remote control or the **Λ** button (18) on the joystick to fast forward. Keep pressing and releasing the button to increase the rate from "2X" to "4X", "8X", and "20X".

MP3/WMA Operation

This player allows you to play back MP3 and WMA files recorded onto CD-R/RW's and DVD-R/RW's. For CD-RW discs, please make sure it is formatted using the full method and not the quick method to prevent illegal disc operation.

Up to 999 songs / files can be burned onto a disc for a MEGA DVD music mix. Do not exceed this number of songs / files or disc readability problems may occur.

MP3 Format Compatibility

The file naming formats listed below are compatible with this unit:

- ISO 9660 – file name: 12 characters, file extension: 3 characters
- ISO 9660 – file name: 31 characters, file extension: 3 characters
- Joliet – 64 characters

If the file or folder name does not conform to ISO 9660 file system standards, it may not be displayed or played back correctly.

Use the following settings when compressing audio data for your MP3 disc:

- Transfer Bit Rate: 128kbps
- Sampling Frequency: 48kHz

When recording MP3 up to the maximum disc capacity, disable additional writing. For recording on an empty disc up to maximum disc capacity, use the "Disc at once" setting.

Playing MP3/WMA Files

After inserting a MP3/WMA disc, files will play in the sequence of the "Root" directory.

Use the numeric keypad (29) on the remote control to access files directly.

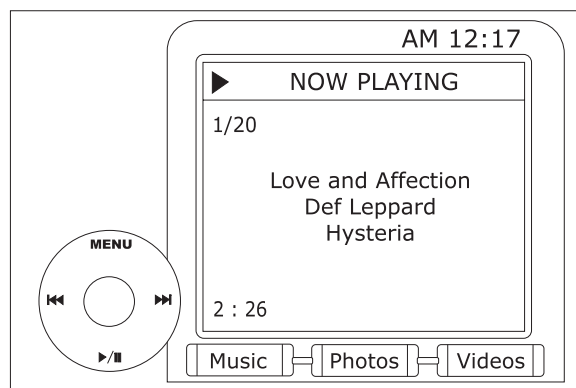
NOTE: When burning MP3 / WMA files onto a DVD disc, use the 2X or 4X burning option, if available. This slower burning speed will help eliminate buffer errors and increase disc reading reliability. Also, use folders when burning large numbers of songs / files to a disc for easy music navigation.

In addition, select the "Disc at Once" option in your burning software when burning DVDs.

iPod OPERATION

Accessing iPod Mode

The unit will automatically switch to iPod mode when an iPod is plugged into the media module. To return to the iPod menu from any other source menu, press the **SRC** button (15) on the front panel or remote control (8) until the iPod menu appears on the screen.



Controlling your iPod

The following remote control buttons are used to access the iPod menus:

TITLE = Music

MENU = Photos

AUDIO = Videos

Use the joystick on the unit or the directional keys on the remote control to navigate the iPod menus.

Music Playback

Press the **>>|** button (19) on remote control, or the **>** button on the joystick (17) to move to the next item on the menu.

Press the **|<<** button (17) on the remote control, or the **<** button on the joystick (16) to move to the previous item on the menu.

Press the **>||** button (18) on the remote control or the joystick **ENTER** button (20) on the head unit to select the highlighted menu option.

Press the **>>** button (14) on the remote control or the **Λ** button (18) on the joystick to return to the previous menu.

Video Playback

While iPod video can be viewed on the VM9311 screen, you must use the iPod to control video playback options.

Press the **AUDIO** button (5) on the remote control to access the iPod VIDEO mode. The VM9311 will release control back to the iPod so you can select video media to be displayed on the VM9311 TFT monitor. To exit VIDEO mode, press the **>>** button (14) on the remote control or **MENU** button on the iPod.

NOTE: To transmit the video from your iPod to the VM9311 screen, you must set the following options through the iPod video settings menu: TV Out = On, TV Signal = NTSC, and Widescreen = On.

Photo Playback

While iPod photos can be viewed on the VM9311 screen, you must use the iPod to control photo playback options.

Press the **MENU** button (1) on the remote control to access the iPod PHOTO mode. The VM9311 will release control back to the iPod so you can select video media to be displayed on the VM9311 TFT monitor. To exit PHOTO mode, press the **>>** button (14) on the remote control or **MENU** button on the iPod.

NOTE: After disconnecting your iPod, the VM9311 will always return to last mode accessed when your iPod is plugged back into the unit.

Fast Forward/Fast Reverse

To fast forward or fast reverse, *press and hold* the **|<<** or **>>|** buttons (17, 19) for 1 second and continue to hold. Release to resume normal play.

Search Playlist/Artist/Album/Song

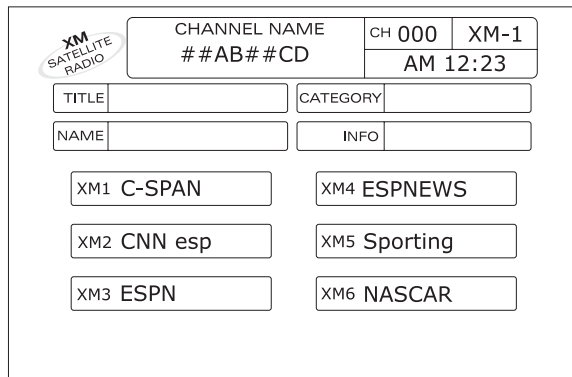
To search through Playlists, Artists, Albums and Songs, press the **1** button (29) on the remote control while in one of the following directories: Playlist, Artist, Album or Song. The selected directory will be accessed with the number of pages and files in that directory displayed at the top of the page. To access the page or file, enter the page or file number directly from the remote control keypad. Press the **|<<** or **>>|** button (17, 19) on the remote control or the **<** or **>** button (16, 17) on the joystick to select the desired song or track.

XM® RADIO OPERATION

Listeners can subscribe to XM® Radio on the Web by visiting www.xmradio.com, or by calling (800) 967-2346. Customers should have their Radio ID ready (see "Displaying the Identification (ID) Code"). Customers can receive a limited number of free-to-air channels without activation.

Accessing XM® Radio Mode

To switch to XM® Radio mode, press the **SRC** button (15) until the XM RADIO control panel appears on the display.



Displaying the Identification (ID) Code

Before you listen to XM® Radio, you must subscribe to the service using your radio's identification number. To display the radio ID, press the < or > buttons (8, 9) on the joystick repeatedly to tune to channel 000. The screen displays the 8-character XM radio ID under "CHANNEL NAME".

Selecting a Station

Press the < or > buttons (8, 9) on the joystick or the << or >> buttons (17, 19) on remote control to change to another station.

Preset Mode

To enter preset mode, press the band button to change to XM-1, XM-2, or XM-3 (indicated in the top right corner of the TFT screen).

Six numbered preset buttons store and recall stations for each band. All six stored stations (XM1-XM6) for the current band appear on the TFT screen.

Storing a Station

1. Select a band (XM-1, XM-2 or XM-3), then select a station.
2. Hold a preset button (1-6) for three seconds. The preset station appears in the corresponding preset box on the bottom half of the screen.

Recalling a Station

1. Select a band (XM-1, XM-2 or XM-3).
2. Press a preset button (1-6) to select the corresponding stored station.



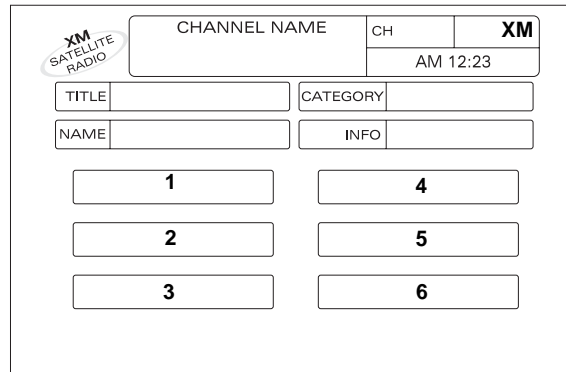
Channel/Category Guide Mode

There are two search modes to help navigate through channels and or categories. To access the Channel/Category Guide mode press, the **ZOOM** button (23) on the remote control.

Channel Guide is the default search mode. To access Category Guide, press the **TITLE** button (2) on the remote control. To return to Channel Guide, press the **SUBTITLE** button (9) on the remote control.

Channel Guide Mode

When the **ZOOM** button (23) is pressed and the Channel Guide is selected, "Search Mode" and "CHANNEL" appear in the top half of the user interface. "XM" appears in the top right corner and the first six XM channels are displayed in the boxes in the bottom half of the TFT screen.



Press the >> button (14) on the remote control or the **Λ** button (18) on the joystick to view the next page of stations. Each page contains six channels to select from.

Press the << button (22) on remote control or the **V** button (19) on the joystick to view the previous page of stations. Each page contains six channels to select from.

To select a channel while in Channel Guide mode, press the corresponding preset number (1-6) on the unit or remote control. The channel will begin playing and the unit will return to the Preset Mode. While in Preset Mode, press and hold a preset button (1- 6) to store the channel playing.

Category Guide Mode

When Category Mode is selected, "Search Mode" and "CATEGORY" appear in the top half of the user interface. To select a station in a specific category, perform the following steps.

1. Press the >> button (14) on the remote control or the **Λ** button (18) on the joystick to view the next six categories. Press the << button (22) on remote control or the **V** button (19) on the joystick to view the previous six categories.
2. To select a category, press the corresponding preset number (1-6) on the unit or remote control. Once a category is selected, the stations in that category will be displayed on the screen.
3. Press the >> button (14) on the remote control or the **Λ** button (18) on the joystick to view the next six stations. Press the << button (22) on remote control or the **V** button (19) on the joystick to view the previous six stations in the selected category.
4. To select a channel while in Category Guide mode, press the corresponding preset number (1-6) on the unit or remote control. The channel will begin playing and the unit will return to the Preset Mode. While in Preset Mode, press and hold a preset button (1- 6) to store the channel playing.

Press the **TITLE** button (2) to return to the Category Mode main page and select a different category.

Direct Tuning

To enter a station directly, perform the following steps.

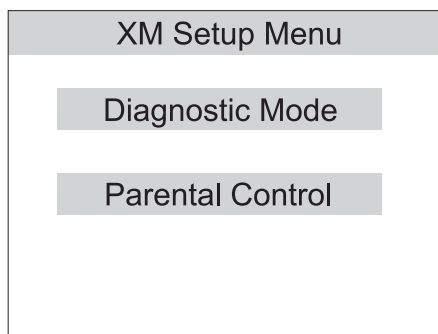
1. Press the **GOTO** button (21) until the following screen appears.



2. Use number keys on the remote control to enter the desired XM radio station. You must enter a 3 digit number (for example, 004).
3. Press the >|| button (18) on the remote or the joystick **ENTER** button (20) on the unit.

XM Setup Menu

While in XM radio mode, press the **MENU** button (1) on the remote control to view the XM Setup Menu.



Press **MENU** to exit the current submenu or menu and return to the previous screen.

Diagnostic Mode

This feature is reserved for use by service professionals for troubleshooting.

Parental Control

By default, this feature is unlocked and all channels can be accessed by anyone listening to the radio. To lock a station, press the << button (22) on the remote control or **V** button (19) on the joystick until "Channel Number" is highlighted blue. Input the channel number to be locked. Press the << button on the remote control or **V** button on the joystick and select **LOCK**. Repeat this sequence for each channel to be locked. Press the >> button on the remote control or **Λ** button (18) on the joystick and navigate back up to Password - input 1264 and the small yellow lock will close indicating that the channel(s) are locked. Press the **MENU** button (1) twice to return to the main XM page.

TROUBLESHOOTING

Table 13: Troubleshooting

Problem	Cause	Corrective Action
GENERAL		
Unit will not power on	Radio Fuse blown	Install new fuse with correct rating
	Car battery fuse blown	Install new fuse with correct rating
	Illegal operation	Press the RESET button located in the bottom right corner of the front panel
Remote control does not function	Battery depleted	Replace battery with new one
	Battery installed incorrectly	Remove battery and install correctly
No/low audio output	Improper audio output connection	Check wiring and correct
	Volume set too low	Increase volume level
	Improper "MUTE" connection	Review wiring diagram and check "MUTE" connection
	Speakers damaged	Replace speakers
	Heavily biased volume balance	Adjust the channel balance to the center position
	Speaker wiring is in contact with metal part of car	Insulate all speaker wiring connections
Poor sound quality or distortion	Pirated disc is in use	Use original copy
	Speaker power rating not compatible with unit	Connect proper speakers
	Speaker is shorted	Check speaker contact
Tel-Mute malfunction	"MUTE" wire is grounded	Check that "MUTE" connection is not grounded and that it's properly insulated
Unit resets itself when engine is off	Incorrect connection between ACC and positive battery wire	Check wiring and correct
TFT MONITOR		
Monitor does not open automatically	TFT Auto Open is turned off	Turn TFT Auto Open on
No image	Incorrect connection to parking brake wire	Check wiring and correct
	PRK SW is activated and parking brake is not engaged	Stop vehicle in safe place and apply parking brake
Flashing image or interference appears on screen	DVD is not compatible with current TV system settings	Change setup to accommodate disc
	Improper video signal connections	Check wiring and correct
Prolonged image or improper height/width ratio display	Improper aspect ratio setup	Use correct aspect ratio setting
Monitor stops at incorrect position	Moving path is blocked	Press OPEN key to restart monitor movement
TUNER		
Weak station searching	Auto antenna is not fully extended	Connect the auto antenna control cable properly
	Auto antenna not properly connected	Connect the auto antenna control cable properly
	LOCAL function is activated	Turn LOCAL function off
Cannot insert disc	Disc already inside unit	Eject current disc and insert new one

Table 13: Troubleshooting

Problem	Cause	Corrective Action
Disc does not play back	Disc is warped or scratched	Use disc in good condition
	Disc is dirty or wet	Clean disc with soft cloth
	Laser pickup is dirty	Clean laser pickup with cleaning disc
	Incompatible disc is used	Use compatible disc
	Disc rating exceeds Parental Lock rating limit	Change Parental Lock settings to lower restriction
	Disc region code is not compatible with unit	Use disc with proper region code
	Disc is inserted upside down	Insert disc with label side up
Image blurred, distorted, or dark	Disc is illegally copied	Use original disc
PBC cannot be used during VCD playback	PCB is not available on the disc	
No repeat or searching while playing VCD	PCB is on	Turn PCB off
MP3		
Interruption occurred during playback	Disc is dirty or scratched	Clean disc or replace
	File is damaged/bad recording	Recreate disc with good files
Incorrect playback message displayed	Message is longer than LCD can display	
XM RADIO		
No Sound	Incorrect cable connections	Check RCA cables
XM source not available	Incorrect cable connections	Check XM Data cable or Media Module Cable
ANTENNA appears on XM main screen	Antenna not connected	Check satellite antenna connection
All other Errors		Reset Media Module
IPOD		
iPod source not available	Incorrect cable connections	Check jLink and Media Module cables
Cannot see video and photo media on TFT screen	Wrong iPod Video Settings	Change iPod video settings to TV Out = On Check Media Module yellow RCA video input cable
All other errors		Reset Media Module

Error Messages
Table 14: Error Messages

Message Displayed	Cause	Corrective Action
Loading	Disc is being read	
No Disc	Disc is dirty	Clean disc with soft cloth
	Disc is upside down	Insert disc with label side up
	Disc not present in loading compartment	Insert disc
Bad Disc	Disc is dirty	Clean disc with soft cloth
	Disc is upside down	Insert disc with label side up
Unknown disc	Disc format is not compatible with this unit	
Region Error	DVD is not compatible with region code of unit	

Table 14: Error Messages

Message Displayed	Cause	Corrective Action
Error	illegal mechanism operation	Press EJECT key for 5 seconds to reset loading mechanism

Care and Maintenance

1. Use only a clean silicone cloth and neutral detergent to clean the front panel or monitor. A rough cloth and non-neutral detergent (such as alcohol) may result in scratching or discoloration.
2. Do not get water or cleaning fluids on the unit.
3. If the temperature inside the player gets too hot, a protective circuit automatically stops play of the disc. If this occurs, allow the unit to cool before operating the player again.
4. Never insert anything other than a 5" (12 cm) compact disc into the player as the mechanism can be damaged by foreign objects.
5. Do not attempt to use a 3" (8 cm) CD-Single disc in this unit, either with or without an adaptor, as damage to the player and/or disc may occur. Such damage is not covered by the Warranty on this product.
6. The CD player may not operate properly in extreme hot or cold. If such conditions occur, allow the interior of the vehicle to reach a normal temperature before using player.
7. When the vehicle warms up during cold weather or under damp conditions, condensation may appear on the LCD panel. Should this occur, the screen will not operate properly until the moisture has evaporated.
8. We suggest you use a cleaning disc in this unit more frequently than in the unit in your home due to the environmental conditions of the vehicle.

SPECIFICATIONS

CEA Power Ratings



Power Output: 13 watts RMS X 4 channels into 4-ohms @ \leq 1% THD+N

Signal to Noise Ratio: 70dBA below reference. (Reference: 1 watt, 4-ohms)

Dynamic Power: 64 watts into 4-ohms, all channels driven

Frequency Response: 20Hz to 20kHz, -3dB. Aux input used as source reference

Reference Supply Voltage: 14.4VDC

DVD/CD Player

Compatible Formats: Compatible formats: DVD-R, DVD-RW, DVD+R, DVD+RW, CD-R, CD-RW, CD-DA, MP3, WMA, SVCD, VCD and MPEG1, MPEG2, and JPEG

Signal to Noise Ratio: \geq 95dBA

Dynamic Range: >95dB

Frequency Response: 20Hz to 20kHz, -3dB

Channel Separation: > 60dB @ 1kHz

D/A Converter(s): High performance 24-bit, 192kHz, multi-bit Sigma-Delta modulator. Supports sample rates from 8~192kHz.

Electronic Skip Protection (ESP): 16Mbit high-speed flash memory. DVD: 3sec, CD-DA: 10sec, MP3 / WMA: 100 / 200sec

Video

Format: NTSC, PAL (auto-detection)

Output: 1Vp-p (75-ohm)

Input: 1Vp-p (75-ohm)

FM Tuner

Tuning Range: 87.5MHz - 107.9MHz

Mono Sensitivity (-30dB): 9dBf

Quieting Sensitivity (-50dB): 15dBf

Alternate Channel Selectivity: 70dB

Signal to Noise Ratio @ 1kHz: 58dB

Image Rejection: 80dB

Stereo Separation @ 1kHz: >30dB

Frequency Response: 30Hz - 15kHz, -3dB

AM Tuner

Tuning Range: 530kHz - 1720kHz

Sensitivity (-20dB): 30uV

Signal to Noise Ratio @ 1kHz: 50dB

Image Rejection: 60dB

Frequency Response: 50Hz - 2kHz, -3dB

Monitor

Screen Size: 7.0" (Measured diagonally), 16:9 Widescreen

- 6.06" (154.1mm) W X 3.42" (87mm) H

Screen Type: TFT Liquid Crystal Display (LCD) active matrix

Response Time: 30mSec rise time, 50mSec fall time

Resolution:

- DVD/Composite Video in: 336,960 sub pixels, 1440 (W) X 234 (H)

Viewing angle:

- 65 degrees left or right
- 40 degrees up
- 65 degrees down

General

Auxiliary Input impedance: 10k

Power Supply: 11 to 16VDC, negative ground

Power Antenna (Blue): 500mA max, current limited protection

Amplifier Remote (Blue/White): 500mA, current limited protection

Fuse: 15-amp, mini ATM type

DIN chassis dimensions: 2" X 7" X 7" (50mm x 178mm x 178mm)

Operating Temperature: -20C ~ 70C

* Specifications subject to change without notice.

12-MONTH LIMITED WARRANTY

AUDIOVOX CORPORATION (the Company) warrants to the original retail purchaser of this product that should this product or any part thereof, under normal use and conditions, be proven defective in material or workmanship within 12 months from the date of original purchase, such defect(s) will be repaired or replaced with new or reconditioned product (at the Company's option) without charge for parts and repair labor. To obtain repair or replacement within the terms of this Warranty, please contact Jensen at the telephone number provided below.

This Warranty does not extend to the elimination of car static or motor noise, to correction of antenna problems, to costs incurred for installation, removal, or reinstallation of the

product, or damage to tapes, compact discs, accessories or vehicle electrical systems. This Warranty does not apply to any product or part thereof which, in the opinion of the Company, has suffered or been damaged through alteration, improper installation, mishandling, misuse, neglect, accident, or by removal or defacement of the factory serial number/bar code label(s) or markings. THE EXTENT OF THE COMPANY'S LIABILITY UNDER THIS WARRANTY IS LIMITED TO THE REPAIR OR REPLACEMENT PROVIDED ABOVE AND, IN NO EVENT, SHALL THE COMPANY'S LIABILITY EXCEED THE PURCHASE PRICE PAID BY PURCHASER FOR THE PRODUCT.

This Warranty is in lieu of all other express warranties or liabilities. ANY IMPLIED WARRANTIES, INCLUDING ANY IMPLIED WARRANTY OF MERCHANTABILITY, SHALL BE LIMITED TO THE DURATION OF THIS WRITTEN WARRANTY. ANY ACTION FOR BREACH OF ANY WARRANTY HEREUNDER INCLUDING ANY IMPLIED WARRANTY OF MERCHANTABILITY MUST BE BROUGHT WITHIN A PERIOD OF 12 MONTHS FROM DATE OF ORIGINAL PURCHASE. IN NO CASE SHALL THE COMPANY BE LIABLE FOR ANY CONSEQUENTIAL OR INCIDENTAL DAMAGES FOR BREACH OF THIS OR ANY OTHER WARRANTY, EXPRESS OR IMPLIED, WHATSOEVER. No person or representative is authorized to assume for the Company any liability other than expressed herein in connection with the sale of this product.

Some states do not allow limitations on how long an implied warranty lasts or the exclusion or limitation of incidental or consequential damage so the above limitations or exclusions may not apply to you. This Warranty gives you specific legal rights and you may also have other rights which vary from state to state.

U.S.A: 1-800-323-4815

CANADA: Call 1-800-323-4815 for location of warranty station serving your area.

Audiovox Electronics Corporation
Hauppauge, NY 11788
Technical Assistance: 1-800-323-4815
www.jensen.com

© 2006 Audiovox
Ver 1.0
Printed in China

PREPARATION

Felicidades por comprar el Receptor Multimedia Móvil Jensen VM9311.

Es buena idea leer completamente las instrucciones antes de iniciar la instalación. Le recomendamos realizar la instalación de su Jensen VM9311 en una tienda reconocida.

Características

DVD

- Formatos compatibles: DVD-R, DVD-RW, DVD+R, DVD+RW, CD-R, CD-RW, CD-DA, MP3, WMA, SVCD, VCD y MPEG1, MPEG2 y JPEG
- Aparato de lectura de la región 1
- Modos de pantalla FULL (Completa) y NORMAL
- Front panel DVD control
- Delantero Rápido de alta velocidad / Ayuna el Rebobinado 2X, 4X, 8X, 32X
- Juego, Pausa, Parada, Lenta
- Capítulo Encima / Abajo
- Wolfson Microelectronics alto rendimiento 24-bit, 192 kHz DAC las ayudas 2-canal "Abajo-Mezclan" modos audio
- Memoria de destello de alta velocidad de 16 Mbit - tiempo de acceso 80nS

MP3/WMA

- GIGA MP3 - Almacene hasta 999 archivos MP3 en un DVD
- Etiqueta ID3 compatible
- Acceso directo de la pista
- Juego, Pausa, Parada, Capítulo Encima / Abajo
- 100 segundo (MP3), 200 segundo (WMA) ESP - Electronic Skip Protection

CD

- Texto del CD Compatible
- 4 segundo ESP - Electronic Skip Protection

AM/FM Tuner

- Sintonizador del US/Euro/Latin/Asia
- 30 precolocaciones de la estación (18FM/12AM)
- JENSEN Plus Tuner II

Outboard Media Module

- Adaptador de entrada para XM radio y iPod

XM Listo

- Requiere opcional del sintonizador de Terk XMD1000
- Requiere opcional Terk XMDJEN100 o los cables de XM Jensen JXMC
- La exhibición avanzada demuestra el artista, el título de la canción, y XM canal y categoría
- Entrada de canal directa

iPod List

- Controla y cargas todos los iPods a menos que "Shuffle"
- Exhibe toda la información del texto incluyendo categoría, nombre de la pista, artista y número de canal

Chassis

- Pantalla activa del LCD de la matriz de 7 pulgadas, 336, 960 pixeles (1440W X 234H)
- TFT motorizado automático lleno, El LCD mueve de un tirón hacia fuera y sube
- 16 ajustes de la inclinación del paso TFT LCD
- Confirmación del tono de la señal sonora
- Sistema de gerencia del calor - incorpora aire-refrescarse forzado a mantener viruta-fija el funcionamiento en las temperaturas nominales
- Chasis galvanizado resistente

General

- Mando a distancia infrarrojo de la función completa
- 1 NTSC salida de vídeo compuesto para las pantallas adicionales
- OSD- En control de menú de la pantalla
- Procesador del audio del alto rendimiento
- Volumen, bajo, triple, equilibrio y atenuador electrónicos
 - Ajuste bajo de la frecuencia de centro - 60, 80, 100, 130, 150 y 200Hz
 - Factor de Bajo Q - 1.0, 1.25, 1.5 y 2.0
 - Ajuste triple de la frecuencia de centro - 10, 12.5, 15 y 17kHz
 - Cruce de Subwoofer - 80, 120 y 160Hz
 - Fase de Subwoofer - 0, 180 grados
 - Nivel de Subwoofer - variable
- 100-ohm salidas bajas del preamplificación de la impedancia - todos los canales
- 5V Peak / 2V RMS RCA salidas - todos los canales
- 1-par salidas delanteras de RCA
- 1-par posterior salidas de RCA
- Sola salida de subwoofer RCA
- 1-par entradas auxiliares de RCA Audio/Vídeo
- Atenuador de la flexión
- Alto contraste delantero LCD del panel (cuando la pantalla es cerrada)
- Control rotatorio del audio del codificador
- Navegación del menú de la palanca de mando

Herramientas y Provisiones

Usted necesitará las siguientes herramientas y provisiones para instalar su VM9311:

- Llave torx, destornilladores planos y Phillips
- Cúter y peladores de cables

- Herramientas para quitar el radio existente (destornillador, llave inglesa y otras herramientas).
- Cinta aisladora
- Herramienta crimpadora
- Luz de testeo/medición de voltios
- Conectores para crimpar
- Cable de calibre 18 para conexiones eléctricas
- Cable para altavoz de calibre 16 - 18

¡CUIDADO! Solamente conecte la unidad a una fuente de alimentación de 12 voltios con toma a tierra adecuada.

¡CUIDADO! Nunca instale la unidad donde pueda interferir con la visión y las condiciones para un manejo seguro.

¡CUIDADO! Para reducir el riesgo de accidente de tráfico (excepto cuando utilice la cámara de video para mirar hacia atrás) nunca utilice la función de pantalla de video mientras maneje el vehículo. Esta es una violación a la ley federal.

¡CUIDADO! Nunca desarme o ajuste la unidad.

¡CUIDADO! Para prevenir lesiones por choque eléctrico o incendio, nunca exponga la unidad a humedad o agua.

¡CUIDADO! Nunca utilice discos irregulares o fallados.

¡CUIDADO! Para prevenir daños al mecanismo adentro de la unidad, evite golpear el monitor TFT.

¡CUIDADO! No cambie el fusible en el cable de alimentación.

¡CUIDADO! Para prevenir daños a la pantalla, evite tocarla con sus dedos u otros objetos.

¡CUIDADO! El monitor emplea un mecanismo motorizado automático. Para evitar daños al mecanismo central, por favor, no empuje, jale o gire el monitor manualmente.

Accesorios Opcionales

Listo para iAUX³ (vendido por separado)

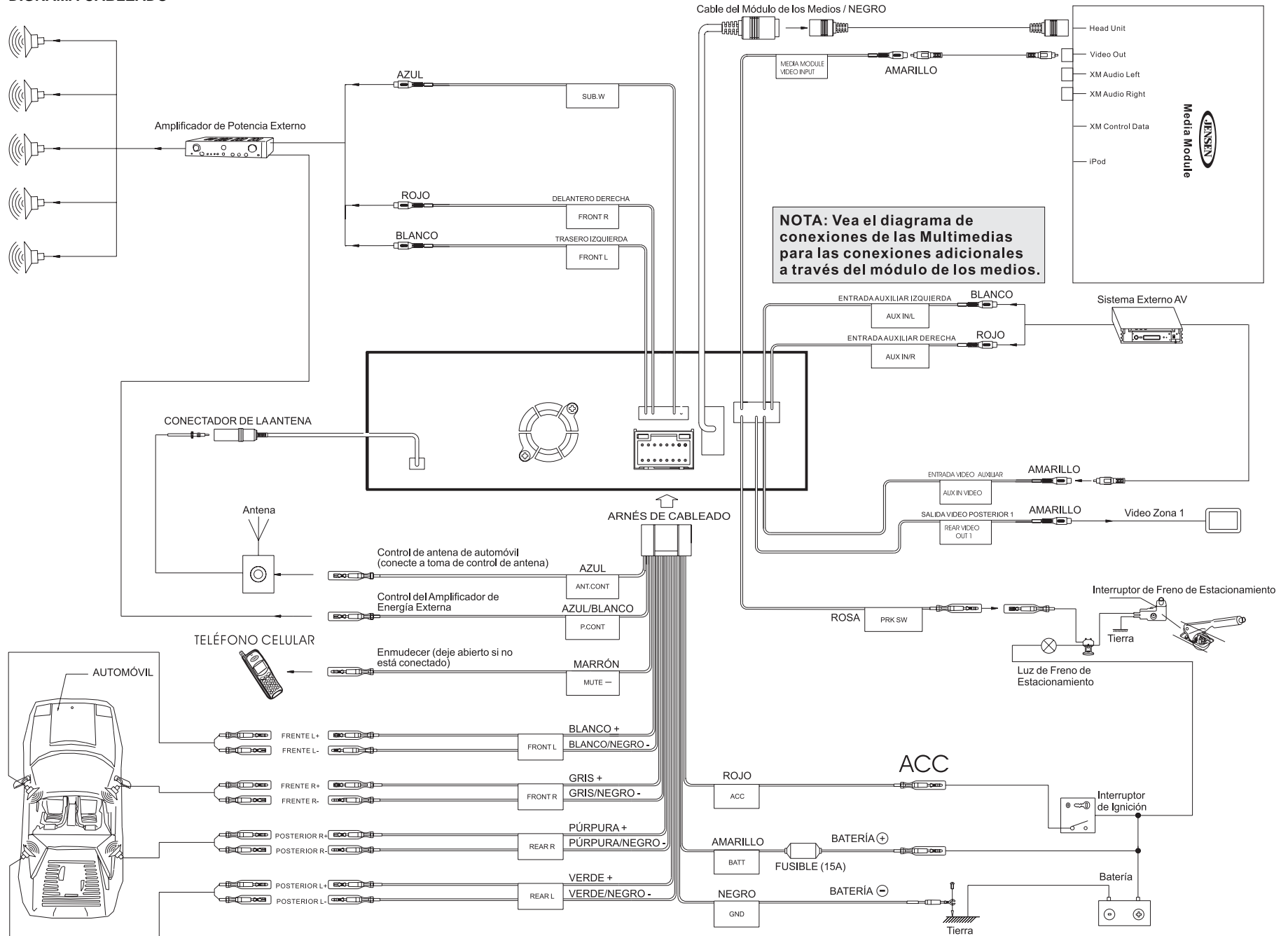
- Puede conectar a cualquier dispositivo multimedia portable usando un enchufe estándar de 3.5mm
- Convierte entrada auxiliar 3.5mm a salida estéreo RCA para una fácil conexión a las entradas auxiliares de radios

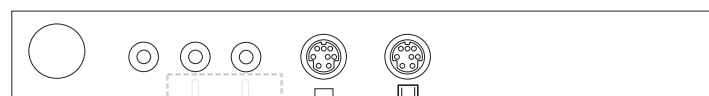
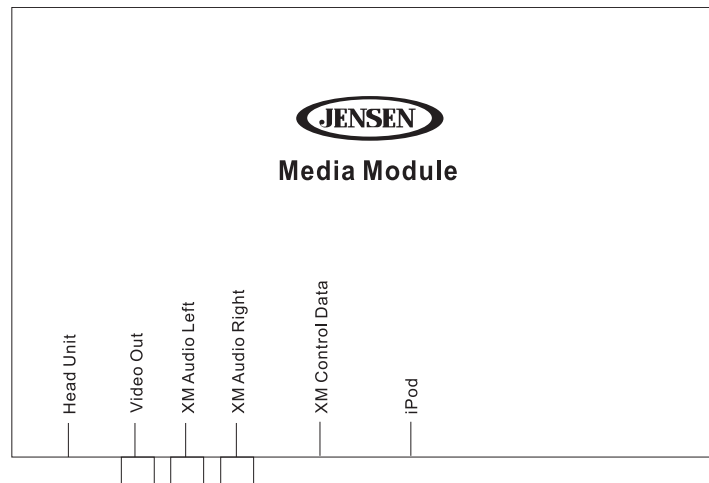
Desconexión de la Batería

Para prevenir un cortocircuito, asegúrese de apagar la ignición y quitar el cable negativo (-) de la batería antes de la instalación.

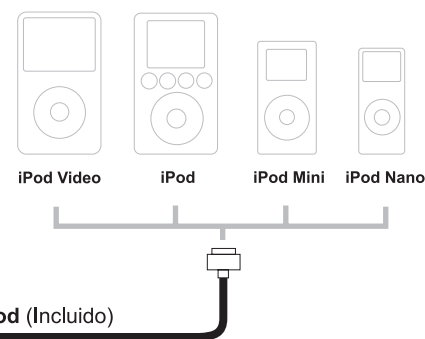
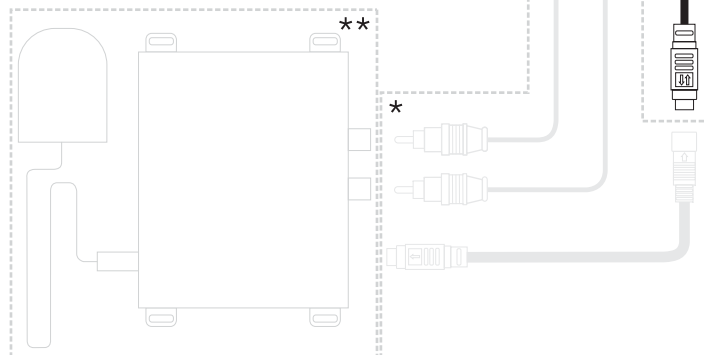
NOTA: Si el VM9311 se instala en un automóvil equipado con una unidad a bordo o una computadora de navegación, no desconecte el cable de la batería. Si el cable se desconecta, la memoria de la computadora puede borrarse. Bajo estas circunstancias, sea muy cuidadoso durante la instalación y así evitar un posible cortocircuito.

DIGRAMA CABLEADO



DIGRAMA CABLEADO - CONEXIONES MULTIMEDIAS


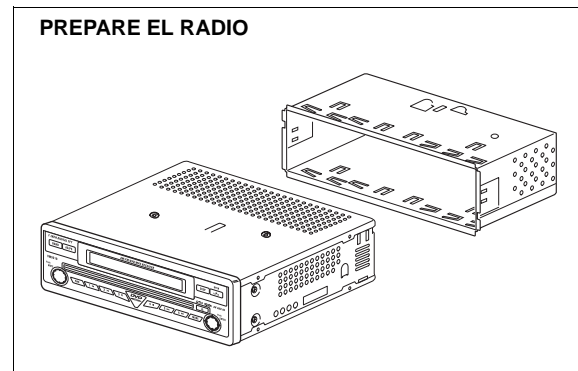
*Cables de TERK XMDJEN100
(vendidos por separado)
**TERK XMD1000 dirigen el sintonizador y la
antena (vendidos por separado)



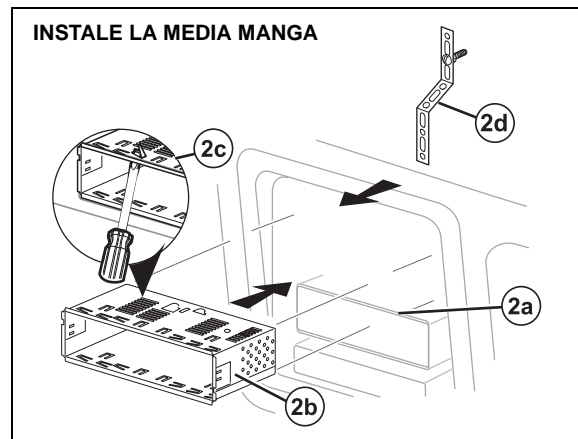
INSTALACIÓN

Preinstalación

- Presione las palancas metálicas en ambos lados para quitar la media manga del radio.



- Instale la media manga.
 - Instale el adaptador si es necesario (opcional).
 - Instale la media manga dentro del adaptador o del tablero (solamente utilice los tornillos provistos). No fuerce la manga al introducirla en la apertura o provoque que se doble.
 - Localice la serie de lengüetas para doblar en la parte superior, inferior y costados de la manga de montaje. Con la manga completamente insertada en la apertura del tablero, doble hacia afuera todas las lengüetas que sean necesarias para que la manga esté asegurada firmemente al tablero.
 - Instale las correas de soporte para hacer que la unidad sea más estable.



¡CUIDADO! Tenga cuidado de no dañar el cableado del automóvil.

- Ubique el radio en frente de la apertura del tablero de manera tal que los cables puedan pasar por la manga de montaje.

Cableado

Complete el cableado como se ilustra en el diagramas de cableado de la páginas 31 y 32. Una vez que se haya completado el cableado, conecte nuevamente el terminal negativo de la batería. Si no hay un ACC disponible, conecte la punta del ACC a la alimentación de energía con un interruptor.

NOTA: Cuando reemplace un fusible, asegúrese de utilizar el tipo y amperaje correcto para evitar dañar el radio. El VM9311 utiliza un fusible mini ATM de 15 amperes, ubicado en la caja de filtro negra en línea con el arnés del cable principal.

Instalación Final

Luego de completar las conexiones del cableado, encienda la unidad para confirmar la operación (el interruptor de la ignición debe estar encendido). Si la unidad no opera, verifique nuevamente todas las conexiones de cables hasta que se solucione el problema. Una vez que se alcanza una operación correcta, apague el interruptor de ignición y proceda con el montaje final del chasis.

- Conecte el adaptador del cableado a un arnés de cableado existente.
- Conecte la punta de la antena.
- Cuidadosamente deslice el radio dentro de la media manga, asegurándose que el lado correcto esté hacia arriba, hasta que esté completamente colocado y que las presillas lo traben en su lugar.

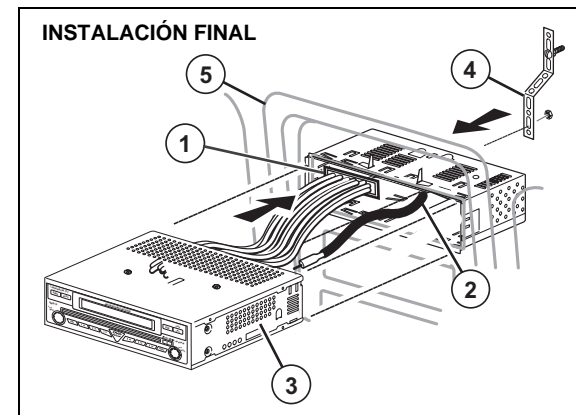
NOTA: Para una correcta operación del equipo de CD/DVD, el chasis debe estar montado dentro de los 20° de horizontalidad. Asegúrese de que la unidad esté montada dentro de este límite.

- Adjunte un extremo de la cinta de soporte perforada (provista) al perno en la parte trasera del chasis utilizando la tuerca hexagonal provista. Asegure el otro extremo de la cinta perforada a una parte segura del tablero, ya sea arriba o abajo del radio, utilizando un

tornillo y una tuerca hexagonal provista. Doble la cinta hasta colocarla en la posición necesaria.

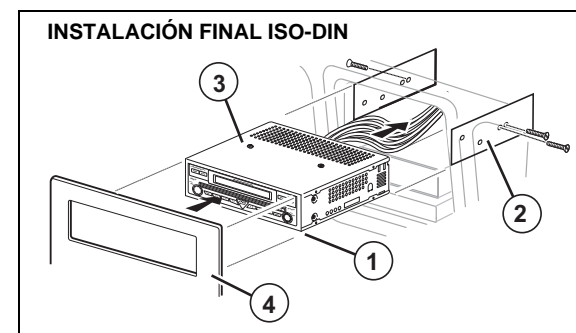
¡CUIDADO! La parte trasera del radio debe estar soportada con la cinta para prevenir daño al tablero debido al peso del radio o prevenir una operación incorrecta debido a la vibración.

- Vuelva a colocar cualquier objeto que haya sacado del tablero.



Instalación del ISO-DIN Final

- Quite el anillo.
- Monte los soportes de fábrica en el nuevo radio utilizando los tornillos de su antiguo radio.
- Deslice el chasis del radio a la apertura del tablero y asegúrelo.
- Reinstale el panel del tablero.



CONTROLES E INDICADORES

Botones de Operación

1. OPEN

Presione el botón **OPEN** (1) para activar el sistema mecánico automático y mover el monitor a una posición visible. Presiónelo nuevamente para cerrar el TFT.

2. WIDE/PICTURE

Presione el botón **WIDE/PICTURE** (2) para ajustar la presentación de la imagen en una de tres opciones: Cinema (ancho), Full (completa) o Normal. *Presione y mantenga presionado* este botón para acceder a la configuración de imagen.

3. (▲)

Presione el botón ▲ (3) para ajustar el ángulo de inclinación ascendente de la pantalla un paso por vez. *Presione y mantenga presionado* este botón continuamente para ajustar la inclinación ascendente o las configuraciones de imagen.

4. (▼)

Presione el botón ▼ (4) para ajustar el ángulo de inclinación descendente de la pantalla un paso a la vez. *Presione y mantenga presionado* este botón continuamente para ajustar la inclinación descendente o las configuraciones de imagen.

5. DISP

Presione el botón **DISP** (5) para mostrar la información del sistema en la pantalla.

6. VOL/LOC/DX

Gire el botón **VOL/LOC/DX** (6) para ajustar el volumen. *Presione y suelte* este botón para ingresar y/o confirmar las configuraciones de audio. *Presione y mantenga presionado* este botón para activar la configuración Local (LOC).

7. POWER/MUTE

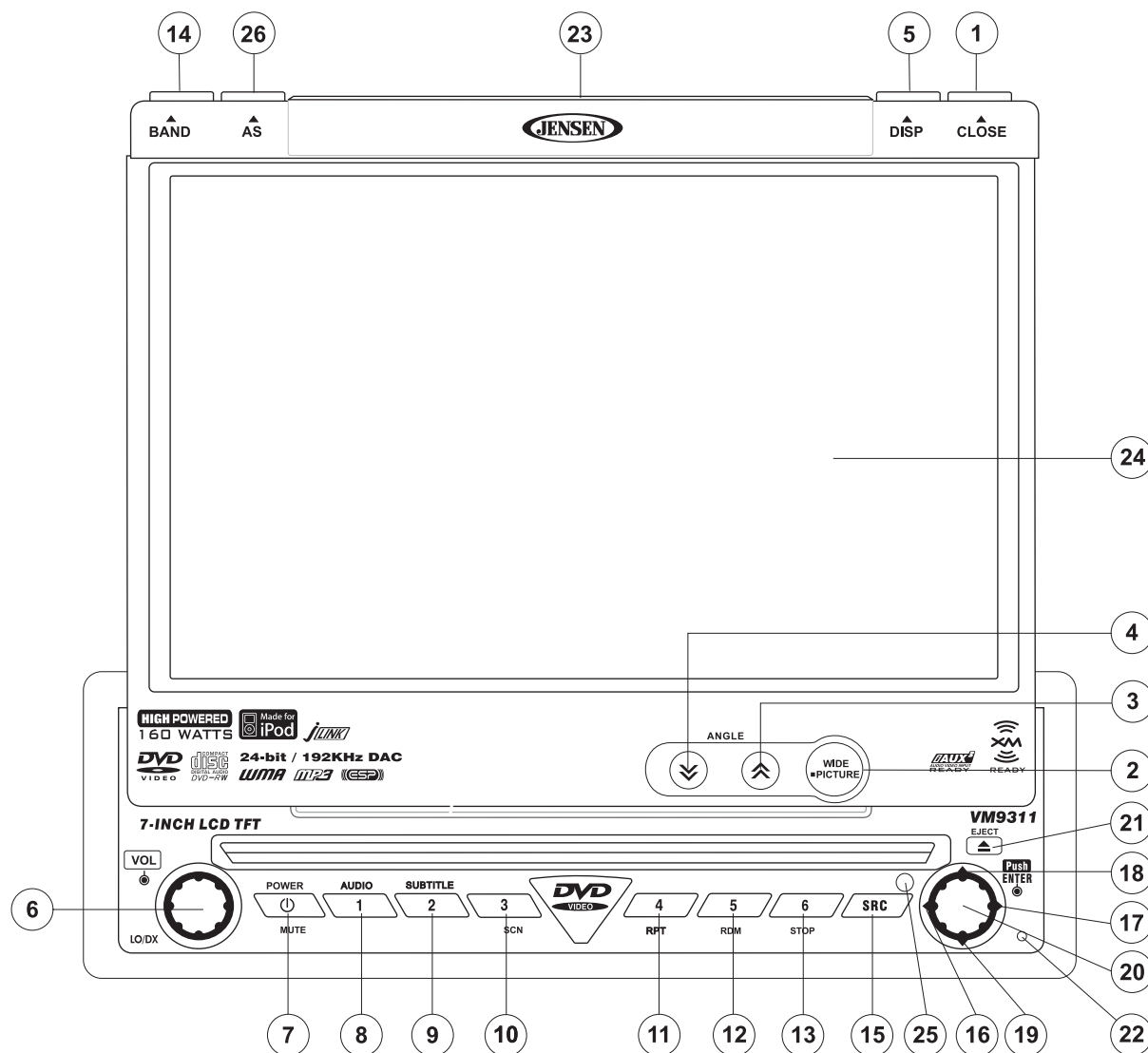
Presione el botón **POWER/MUTE** (7) para encender la unidad. Presiónelo nuevamente para enmudecer el volumen. *Presione y mantenga presionado* este botón para apagar la unidad.

NOTA: El VM9311 ofrece *Softmute*, que permitirá que el volumen aumente o disminuya gradualmente cuando se activa o se desactiva la función **MUTE**.

8. 1/DISC-

Modo DVD: Presione para seleccionar el lenguaje del audio durante la reproducción.

Modo TUNER (Radio): Presione una vez para reproducir la estación de radio seleccionada previamente en canal 1.



Presione y mantenga presionado para almacenar la estación de radio actual en el canal 1 de la memoria.

9. 2/DISC+

Modo DVD: Presione una vez para seleccionar el lenguaje del subtítulo durante la reproducción.

Modo TUNER: Presione una vez para reproducir la estación de radio seleccionada previamente en canal 2. *Presione y mantenga presionado* para almacenar la estación de radio actual en el canal 2 de la memoria.

CONTROLES E INDICADORES

10. 3/SCN

Modo DVD: Presione una vez para iniciar la reproducción en escaneo.

Modo TUNER: Presione una vez para reproducir la estación de radio seleccionada previamente en canal 3. *Presione y mantenga presionado* para almacenar la estación de radio actual en el canal 3 de la memoria.

11. 4/REP

Modo DVD: Presione una vez para iniciar la reproducción en repetición.

Modo TUNER: Presione una vez para reproducir la estación de radio seleccionada previamente en canal 4. *Presione y mantenga presionado* para almacenar la estación de radio actual en el canal 4 de la memoria.

12. 5/RDM

Modo DVD: Presione una vez para una reproducción aleatoria.

Modo TUNER: Presione una vez para reproducir la estación de radio seleccionada previamente en canal 5. *Presione y mantenga presionado* para almacenar la estación de radio actual en el canal 5 de la memoria.

13. 6/STOP

Modo DVD: Presione una vez para detener la reproducción.

Modo TUNER: Presione una vez para reproducir la estación de radio seleccionada previamente en canal 6. *Presione y mantenga presionado* para almacenar la estación de radio actual en el canal 6 de la memoria.

14. BAND

Modo TUNER: Presione para cambiar entre bandas FM y AM.

15. SRC

Presione una vez para seleccionar el modo de reproducción.

6. (◀)

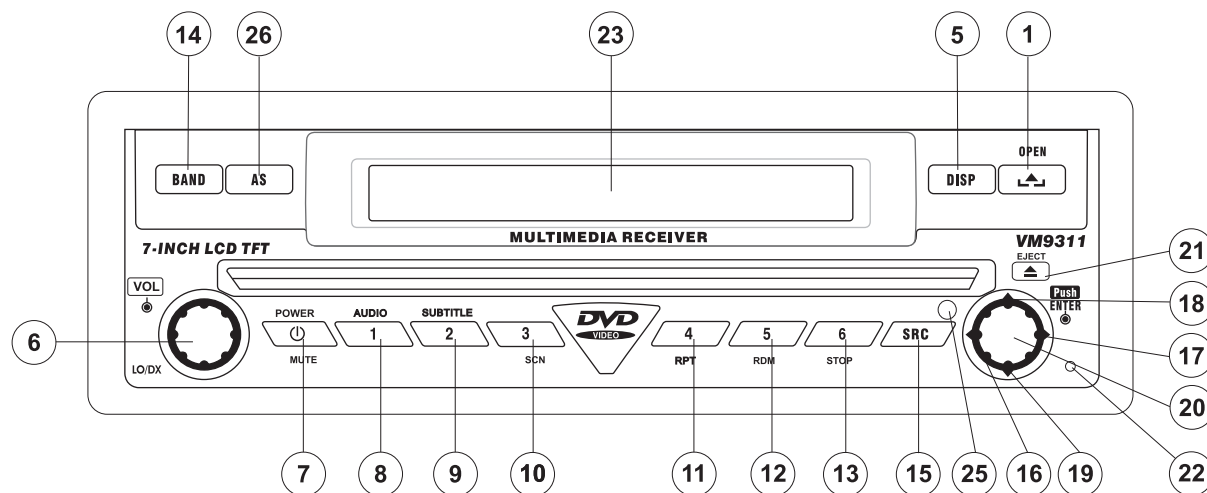
Modo DVD: Presione una vez para reproducir el capítulo/pista previo.

Modo TUNER: Presione una vez para buscar automáticamente una estación de radio previa disponible.

Modo MENU: Presione una vez para mover el curso a la izquierda.

17. (▶)

Modo DVD: Presione una vez para ingresar al capítulo o pista siguiente.



Modo TUNER: Presione una vez para buscar automáticamente una estación de radio siguiente disponible.

Modo MENU: Presione una vez para mover el curso a la derecha.

18. (▲)

Modo DVD: Presione una vez para avance rápido/retroceso rápido.

Modo TUNER: Presione para subir un lugar en la frecuencia.

Modo MENU: Presione una vez para mover el cursor hacia arriba.

19. (▼)

Modo DVD: Presione una vez para avance o retroceso en cámara lenta.

Modo TUNER: Presione para bajar un lugar en la frecuencia.

Modo MENU: Presione una vez para mover el cursor hacia abajo.

20. PLAY/ENTER

Modo DVD: Presione una vez para iniciar la reproducción.

Presione una vez para confirmar una selección.

21. (▲)

Presione una vez para insertar o eyectar un disco.

Presione y mantenga presionado para reanudar la posición del mecanismo central.

22. RESET

Presione para volver la configuración del sistema a como sale fábrica (excepto la contraseña y la configuración de bloqueo de padres).

23. Pantalla LCD

24. Pantalla TFT

25. Receptor de Control Remoto Infrarrojo

26. AS (Almacenaje Automático)

Presione para almacenar automáticamente estaciones de radio fuertes en los seis canales de memoria en la banda actual.

CONTROLES E INDICADORES

Pantalla LCD/Indicadores

1. Indicador de Disco

Iluminado cuando un disco está adentro.

2. Indicadores de Reproducción de DVD (SCN/RPT/RDM/ALL)

Los indicadores de reproducción de DVD se iluminan cuando la función correspondiente se activa:

- SCN: reproducción en escaneo
- RPT: reproducción en repetición
- RDM: reproducción aleatoria
- ALL: reproducción de todos los capítulos

3. Indicador de Volumen (LOUD)

El indicador de volumen se ilumina cuando se activa la función LOUD.

4. Pantalla Principal

La pantalla principal es un LCD (Pantalla de Cristal Líquido) de 8 dígitos y 14 segmentos que muestra la hora, frecuencia en sintonía y alguna otra información de texto.

5. Pantalla de Canal/Disco

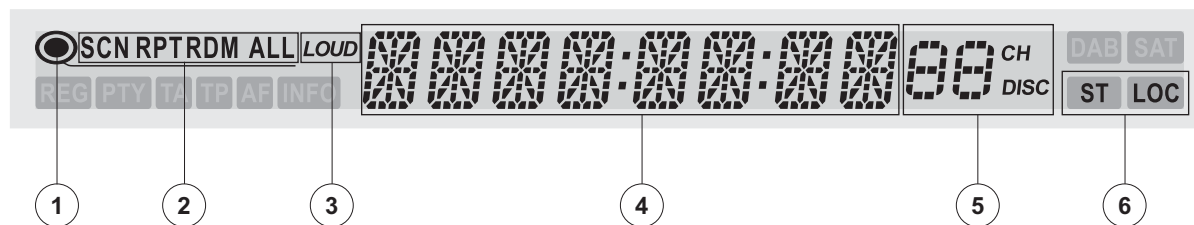
La pantalla de canal/disco es un LCD de 2 dígitos y 7 segmentos que muestra los indicadores de número de disco o canal de radio cuando la función correspondiente se activa:

- CH: radio activado
- DISC: modo DVD/CD activado

6. Indicador Estéreo / Local

El indicador de estéreo/local ilumina uno de los siguientes indicadores cuando la función correspondiente se activa:

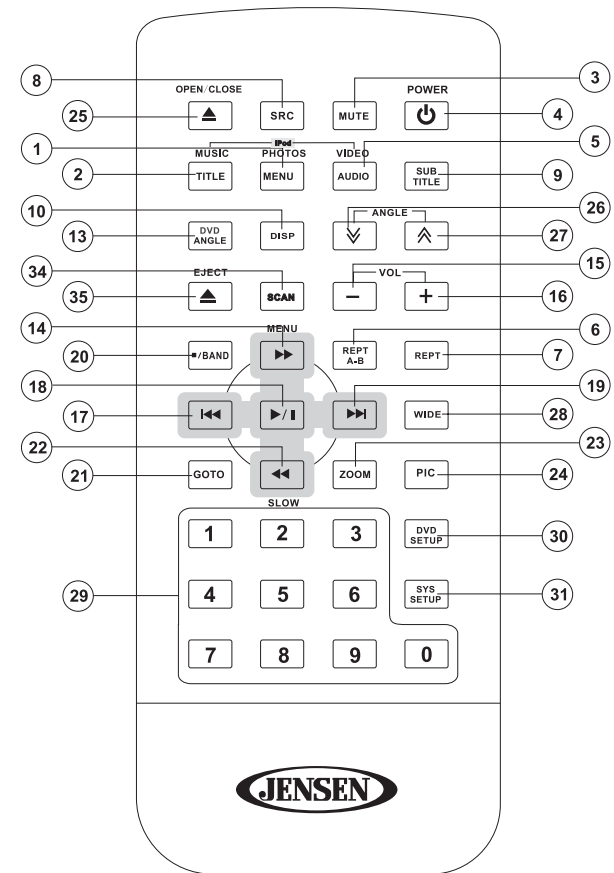
- ST: radio en modo estéreo
- LOC: función de búsqueda de radio local activa



CONTROL REMOTO

Tabla 1: Funciones de Control Remoto

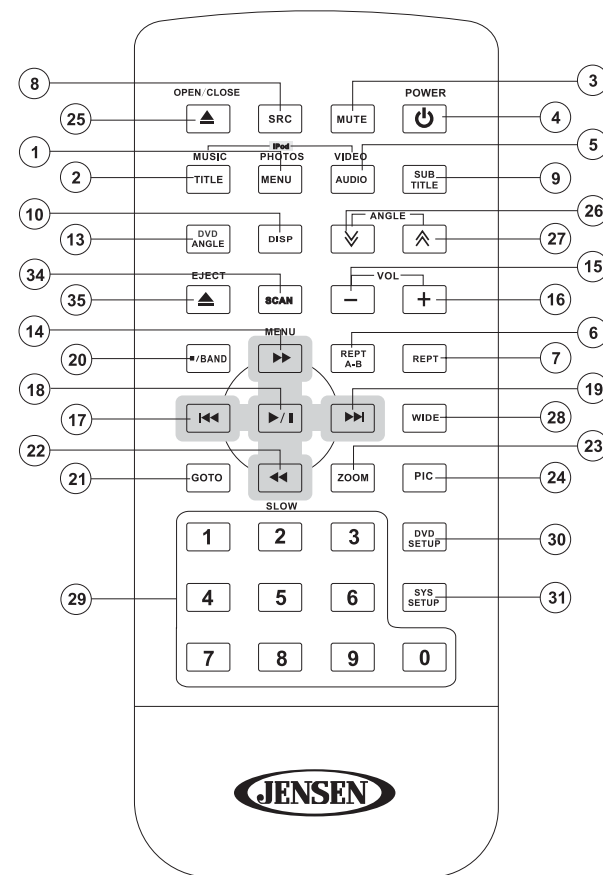
Botón		Función					
Nombre/ Referencia		DVD	VCD	SINTONIZADOR	CD/MP3	XM	iPod
MENU	1	Ingresar al menú principal del disco	Enciende el PBC cuando reproduce VCD			Ingresar al menú Setup XM	Selecciona Modo de la Foto
TITLE	2	Ingresar al menú de títulos del disco	Reproduce los primeros diez segundos de cada capítulo/título				Selecciona Modo de la Música
MUTE	3	Alterna salida de audio encendido/apagado					
POWER	4	Enciende/apaga					
AUDIO	5	Cambia el audio del lenguaje en la reproducción de un disco					Selecciona el Modo Video
REPT A-B	6	Configurar para reproducir en repetición desde A hasta B	Configurar para reproducir en repetición desde A hasta B				
REPT	7	Repite la reproducción del capítulo actual	Repite la reproducción del capítulo actual		Repite la reproducción de la pista actual	Selecciona Modo de la Categoría	Repite la reproducción de la pista actual
SRC	8	Selecciona el modo de reproducción					
SUBTITLE	9	Selección de lenguaje para el subtítulo					
DISP	10	Muestra información sobre la reproducción					
ANGLE	13	Reproduce el disco en un diferente ángulo para una escena	Reproduce el disco en un diferente ángulo para una escena				
▶▶	14	Adelante el contenido del disco	Adelante el contenido del disco	Adelante el contenido del disco	Adelante el contenido del disco		Tiene acceso al menú del iPod
VOL -	15	Baja el volumen					
VOL +	16	Sube el volumen					
◀◀	17	Selecciona el capítulo previo para reproducir	Selecciona el capítulo previo para reproducir	Busca una estación de radio disponible bajando en frecuencia	Selecciona la pista previa para reproducir	Busca una estación de radio disponible bajando en frecuencia	Detiene la reproducción/Inicia la reproducción
▶/II	18	Detiene la reproducción/Inicia la reproducción	Detiene la reproducción/Inicia la reproducción	Escanea estaciones en FM/AM; reproduce/almacena estaciones de radio; borra estaciones de radio	Detiene la reproducción/Inicia la reproducción	Escanea estaciones en XM; reproduce/almacena estaciones de radio XM; borra estaciones de radio XM	



NOTA: Su control remoto puede ser ligeramente distinto del que se exhibe aquí en imagen. El diagrama de arriba es solamente ilustrativo.

Tabla 1: Funciones de Control Remoto

Botón		Función					
Nombre/ Referencia	DVD	VCD	SINTONIZADOR	CD/MP3	XM	iPod	
	19	Selecciona el capítulo siguiente para reproducir	Selecciona el capítulo siguiente para reproducir	Busca una estación de radio disponible subiendo en frecuencia	Selecciona la pista siguiente para reproducir	Busca una estación de radio XM disponible subiendo en frecuencia	Selecciona la pista siguiente para reproducir
	20	Detiene la reproducción	Detiene la reproducción	Selecciona banda FM/AM	Detiene la reproducción	Selecciona banda XM, XM1, XM2, o XM3	
GOTO	21	Va a un momento determinado y reproduce	Va a un momento determinado y reproduce				
	22	Reproducción lenta/ reproducción hacia atrás lenta	Reproducción lenta/ reproducción hacia atrás lenta				
ZOOM	23	Se acerca o se aleja de una imagen	Se acerca o se aleja de una imagen				
PIC	24	Muestra parámetros de configuración	Muestra parámetros de configuración				
OPEN/CLOSE	25	Abre/Cierra el monitor TFT					
	26	Reduce el ángulo de inclinación del monitor					
	27	Incrementa el ángulo de inclinación del monitor					
WIDE	28	Selecciona modo de reproducción: Cinema, Normal o OFF.	Selecciona modo de reproducción: Cinema, Normal o OFF.	Selecciona modo de reproducción: Cinema o OFF.	Selecciona modo de reproducción: Cinema, Normal o OFF.	Selecciona modo de reproducción: Cinema o OFF.	Selecciona modo de reproducción: Cinema o OFF.
0, 1, 2, 3, 4, 5, 6, 7, 8, 9, 0 (Numeric Keypad)	29	Ingresa directamente al capítulo		1-6 selecciona lo que está en memoria en la banda actual	Ingresa directamente a la pista	1-6 selecciona lo que está en memoria	
DVD SETUP	30	Accede al menú de Configuración de DVD					
SYS SETUP	31	Accede al menú de Configuración del Sistema					
SCAN	34				Reproduce los primeros diez segundos de cada pista		
EJECT	35	Eyecta el disco					



NOTA: Su control remoto puede ser ligeramente distinto del que se exhibe aquí en imagen. El diagrama de arriba es solamente ilustrativo.

UTILIZACIÓN DEL MONITOR TFT

Abrir/Cerrar el Monitor TFT

Presione el botón **OPEN** (1) en el panel delantero o presione el botón (▲, 25) en el control remoto de la zona delantera para activar el mecanismo que mueve la pantalla hacia una posición visible.

Presione el botón **OPEN** (1) en el panel delantero o presione el botón (▲, 25) en el control remoto de la zona delantera para volver la pantalla a su compartimento.

Abrir Automáticamente el Monitor TFT

Si "TFT Auto Open" está en posición "on" (encendido) cuando la unidad está encendida, el monitor automáticamente se mueve hacia una posición visible.

Si "TFT Auto Open" está en "off" (apagado) cuando la unidad está encendida, presione el botón **OPEN** (1) o el botón (▲, 25) en el control remoto de la zona delantera para mover el monitor a una posición visible.

Ajuste de Ángulo de Inclinación del Monitor

Una característica conocida de los paneles LCD es la calidad de la imagen en relación al ángulo de visión. El ángulo del monitor se puede ajustar para una visión óptima utilizando uno de los siguientes métodos:

Ajuste de Ángulo Paso a Paso

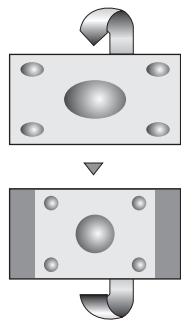
Presione el botón (↗, 3) ó (↘, 4) en el cuadro del monitor para ajustar el ángulo de inclinación de la pantalla de un paso por vez.

Ajuste de Ángulo Continuo

Presione y mantenga el botón (↗, 3) ó (↘, 4) en el cuadro del monitor para ajustar el ángulo de inclinación en movimiento continuo.

Proporción de la Imagen

Presione el botón **WIDE** (28) en el control remoto o el botón **WIDE/PICTURE** (2) en el monitor para ajustar la proporción de la imagen de siguiente forma:



TOTAL (CINEMA)

Toda la pantalla se extiende horizontalmente a la proporción de 16 a 9. La proporción de extensión es la misma en cualquier punto.

NORMAL

La pantalla convencional tiene una proporción horizontal-vertical de 4 a 3, dejando un área negra en los lados derecho e izquierdo de la pantalla.

OFF

Proporción de la Imagen

La tabla 3 demuestra el modo de salida video para cada fuente que juega.

Tabla 2: Formatos de Salida de Video

Fuente de Reproducción	Formato de Salida de Video
AM/FM TUNER (sintonizador)	Modo YUV
XM TUNER (sintonizador)	Modo YUV
iPod	Modo YUV
DVD	Modo YUV
AUX IN	Modo CVBS

**CVBS - Señal de base de banda de video compuesta (Composite Video Baseband Signal)

Procedimiento de Ajuste de Parámetro

- Ingresar en modo de Configuración de Calidad de Imagen:**
Presione el botón **PIC** (24) en el remoto o presione y mantenga el botón **WIDE/PICTURE** (2) en el panel del monitor.
- Seleccione los elementos a configurar:
Presione los botones (>>) (<<) (14, 22) en el remoto o presione y mantenga los botones (Λ) o (V) (18, 19) en el panel del monitor.
- Configure los Parámetros:
Presione los botones (|<<) (>>|) (17, 19) en el remoto o presione y mantenga los botones (<) o (>) (16, 17) en el panel del monitor.
- Salir del Modo de Configuración de Calidad de Imagen:**
Presione el botón **PIC** (24) en el remoto o presione y mantenga el botón **WIDE/PICTURE** (2) en el panel del monitor.

Freno de Mano

Bloqueo con Freno de Mano

Cuando el alambre rosado del "PARKING" está conectado con el interruptor del freno del vehículo, el monitor delantero de TFT exhibirá el video solamente cuando se contrata la secuencia del freno de mano. Antes de comenzar la secuencia del freno de mano, la radio debe estar encendido con el disco video de los medios insertado y jugar.

Secuencia del Freno de Mano

Hay dos situaciones que pueden comenzar la secuencia del freno de mano:

- Se contrata el freno de estacionamiento (encendido) cuando se enciende el vehículo o se gira el accesorio/la ignición. Para activar el video, los acontecimientos siguientes deben ser terminados:
 - Lance el freno de mano para 2 segundos.
 - Reactivaron el freno de mano para 2 segundos.
 - El video se debe exhibir en el monitor de TFT en el plazo de 2 segundos.
- Se contrata el freno de mano y (apagado) cuando se enciende el vehículo o se gira el accessory/ignition. Para activar el video, los acontecimientos siguientes deben ser terminados:
 - Active el freno de mano para 2 segundos.
 - Lance el freno de mano para 2 segundos.
 - Reactivaron el freno de mano.
 - El video se debe exhibir en el monitor de TFT en el plazo de 2 segundos.

Mecanismo de Movimiento de Monitor

Si ocurre una obstrucción en la ruta del monitor, las medidas de protección siguientes se pueden tomar para prevenir daños en el mecanismo o en el monitor:

Tabla 3: Medidas de Protección del Monitor

Obstrucción	Protección Propia	Botón OPEN Presionado	Energía Reconectada
Monitor cargado hacia afuera horizontalmente	El monitor se guarda automáticamente en la unidad	Monitor extendido completamente de forma horizontal	El monitor se guarda automáticamente en la unidad
Monitor cargado hacia adentro horizontalmente	La unidad se detiene en un punto de obstrucción	Monitor extendido completamente de forma horizontal	El monitor se guarda automáticamente en la unidad
Monitor cargado hacia afuera verticalmente	La unidad se detiene en un punto de obstrucción	El monitor gira de vuelta hacia la unidad	El monitor gira de vuelta hacia la unidad
Monitor cargado hacia adentro verticalmente	La unidad se detiene en un punto de obstrucción	El monitor gira de vuelta hacia la unidad	El monitor gira de vuelta hacia la unidad

Luego de ejecutar el procedimiento de protección, se reasume la operación normal presionando el botón **OPEN** (1) o desconectando y reconectando la energía.

INSTRUCCIONES DE OPERACIÓN

Encendido / Apagado

Presione el botón **⏻/MUTE** (1) para encender la unidad. Los botones en la delantera de la unidad se encienden y "WELCOME" aparece brevemente en el panel LCD (17), seguido por el modo actual. Si la pantalla TFT está abierta, solamente se exhibe el modo actual.

Presione y sostenga el botón **⏻/MUTE** (1) en el panel delantero o el botón **POWER** (4) en el telecontrol para accionar apagado el monitor de unit. The se dibuja nuevamente dentro del compartimiento principal y la pantalla del LCD exhibe "BYE-BYE".

Confirmación Bip Audible

Un sonido audible confirma la selección de cada función. Este sonido no puede ser desactivado.

Mute

Presione el botón **⏻/MUTE** (1) en el panel delantero o el botón **MUTE** (3) en el remoto para enmudecer el volumen de la unidad. Presione el botón **MUTE** nuevamente para restablecer el volumen. "MUTE" aparece en el monitor LCD. Ajustar el volumen o utilizar cualquiera de las funciones de configuración de audio cancela la función de enmudecer.

Selección de Fuente de Reproducción

Presione el botón **SRC** (15) en el panel delantero o el botón **SRC** (8) en el remoto para cambiar entre las fuentes de reproducción disponibles en el orden siguiente: TUNER, DVD, AUX IN o CAMERA (cámara de video de visión trasera). El modo de reproducción aparece en las pantallas TFT y LCD.

Modo AUX IN

Un dispositivo periférico externo se puede conectar a esta unidad vía una salida RCA y "AUX-IN".

Ajuste de Volumen

Para subir o bajar el volumen, gire el codificador giratorio (**ROTARY ENCODER**, 6) en el panel delantero o presione los botones **VOL+/VOL-** (15,16) en el control remoto. Cuando el volumen alcanza "0" o "40", un sonido como bip indica que el límite de ajuste se alcanzó. El volumen va desde "0" a "40". La pantalla LCD o TFT exhiben el nivel de volumen por 3 segundos.

Volumen en Inicio Programable

Esta función permite al usuario seleccionar un volumen de encendido, sin importar el volumen en el cual se dejó la unidad al apagarla. Para programar un volumen específico,

mantenga presionado el botón **AUDIO** (2) mientras la barra de volumen amarilla se exhibe en pantalla. La unidad sonará con dos bip para confirmar la configuración de volumen en encendido.

Menú de Control de Audio

La función de Control de Audio le permite ajustar fácilmente su sistema de audio para alcanzar las características acústicas de su vehículo, las cuales varían de acuerdo al tipo de vehículo y sus medidas. Para obtener el mejor sonido posible de su nuevo sistema, asegúrese de ajustar la configuración de sus altavoces también. Una configuración adecuada de balances izquierdo-derecho y delantero-trasero potencia los efectos del ecualizador de la cabina.

Accediendo al Menú de Control de Audio

Presione el botón **VOL/LOC/DX** (6) en el panel delantero una vez para mostrar el menú "AUDIO".

Seleccionando una Función de Audio para Ajustar

Presione continuamente el botón **VOL/LOC/DX** (6) en el panel delantero, o presione los botones (**>>**)/(**<<**) (14, 22) en el control remoto o los botones (**Λ**)/(**V**) (18, 19) en el joystick para seleccionar la función de audio a ajustar.

Ajustando una Función de Audio

Rote el botón **VOL/LOC/DX** (6), presione los botones (**|<<**)/(**>>**) (17, 19) en el control remoto, o presione los botones (**<**)/(**>**) (16, 17) en el joystick para ajustar la función seleccionada con la configuración deseada.

Tabla 4: Ajustes de Audio

Función Audio	Rango de Ajuste
EQ (ecualizador)	User (usuario)
	Flat (plano)
	Jazz
	Pop
	Classical (clásico)
	Rock (roca)
	Vocal
Bass (bajo)	-14 a +14
Treble (agudos)	-14 a +14
Fader (balance delantero - trasero)	-7 a +7
Balance (Balance Derecho - Izquierdo)	-9 a +9

Tabla 4: Ajustes de Audio

Función Audio	Rango de Ajuste
Sub (Altavoz de graves)	-9 a +9
Loud (Volumen)	Off (apagado), 1-4

NOTA: Los niveles de Graves y Agudos son ajustables únicamente cuando el EQ (ecualizador) está en modo "User".

Intensidad

La intensidad level/function es dependiente en el ajuste principal del volumen. Mientras que se aumenta el volumen, menos remuneración de la intensidad se aplica a la señal audio. Ésta es referida "Auto-Loudness". Los ajustes posibles de la intensidad son como sigue:

- OFF (Apagado)
- 1 - Alza baja leve en el nivel del bajo volumen
- 2 - Alza baja moderada en el nivel del bajo volumen
- 3 - Buena alza baja en el punto bajo al nivel mediados de del volumen
- 4 - Alza baja máxima en el nivel mediados de del volumen

Saliendo del Menú de Control de Audio

Presione y mantenga el botón **VOL/LOC/DX** (6) o deje de hacer ajustes por unos segundos para salir del menú de control de audio.

Reinicio del Sistema

Para corregir una interrupción del sistema u otra operación irregular, utilice la punta de un lápiz para presionar el botón de reinicio (**RESET**, 22) ubicado en la esquina delantera derecha inferior de la unidad. Luego del reinicio del sistema, la unidad reestablece todas las configuraciones de fábrica.



NOTA: Si la unidad se reinicia mientras está en ejecución un DVD, el DVD reasume su reproducción una vez que el reinicio se complete.

Enmudecedor de Línea

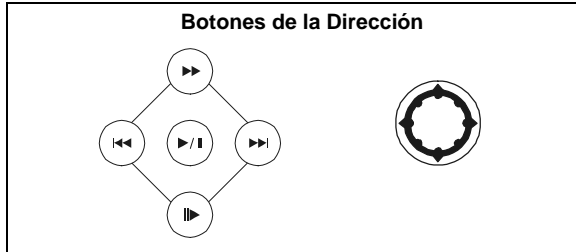
Si el cable "MUTE" (enmudecedor) está conectado, la salida del audio se enmudece cuando una llamada de teléfono se recibe en el teléfono del auto o cuando se realiza navegación verbal.

MENÚ DE CONFIGURACIÓN DE SISTEMA

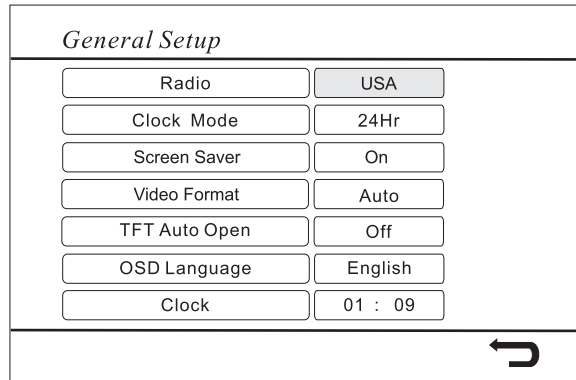
En modo de Configuración de Sistema ("System Setup"), están disponibles para ajustes la Configuración ASP ("ASP CONFIG") y Configuración General ("GENERAL SETUP"). La configuración se puede realizar presionando el botón dedicado en el control remoto o en el panel delantero. Para configuraciones del sistema, presione el botón SYS SETUP (31) en el control remoto para ingresar al menú de Configuración del Sistema ("Systema Setup"). "ASP CONFIG" se remarca en verde.

Menú de Configuración General Accediendo al Menú de Configuración General

Para acceder al Menú de Configuración General ("GENERAL SETUP"), presione los botones de dirección en el joystick (16, 17, 18, 19) o en el control remoto (14, 17, 18, 19, 22) para remarcar "GENERAL SETUP" en verde.



Presione el botón >||| (18) en el control remoto para entrar al menú de Configuración General (GENERAL SETUP). Un menú aparece con la opción para el primer artículo, Radio, resaltado en luz azul.



Seleccionando una Función para Ajuste

Presione los botones >> or << (14, 22) en el control remoto o los botones Λ o V (18, 19) en el joystick para seleccionar la función a ajustar.

Ajustando una Función

1. Ingrese en el campo de opción para la función que desea ajustar presionando el botón >||| (18) en el control remoto o presionando el botón ENTER (joystick) (20) en la unidad. Un submenú aparece en segunda fila con la opción seleccionada remarcada en celeste.
2. Seleccione un nuevo valor presionando los botones >> o << (14, 22) en el control remoto o los botones Λ o V (18, 19) en el joystick.
3. Confirme su selección presionando los botones <<, |<<, o >>| (22, 17, 19) en el control remoto, o los botones < o > (16, 17) en el joystick. El nuevo valor se remarca en celeste y la configuración se completa.

Tabla 5: Función de Menú de Configuración General

Configuración	Opciones	Función
Radio	USA	<ul style="list-style-type: none"> • AM Frequency Spacing - 10kHz • AM Frequency Band - 530kHz~1720kHz • FM Frequency Spacing - 200kHz • FM Frequency Band - 87.5MHz~107.9MHz
	Europe	<ul style="list-style-type: none"> • AM Frequency Spacing - 9kHz • AM Frequency Band - 522kHz~1620kHz • FM Frequency Spacing - 50kHz • FM Frequency Band - 87.5MHz~108.0MHz
	South America 1	<ul style="list-style-type: none"> • AM Frequency Spacing - 10kHz • AM Frequency Band - 530kHz~1720kHz • FM Frequency Spacing - 100kHz • FM Frequency Band - 87.5MHz~108.0MHz
	South America 2	<ul style="list-style-type: none"> • AM Frequency Spacing - 5kHz • AM Frequency Band - 520kHz~1600kHz • FM Frequency Spacing - 100kHz • FM Frequency Band - 87.5MHz~108.0MHz
	Arabia	<ul style="list-style-type: none"> • AM Frequency Spacing - 9kHz • AM Frequency Band - 531kHz~1620kHz • FM Frequency Spacing - 100kHz • FM Frequency Band - 87.5MHz~108.0MHz

Tabla 5: Función de Menú de Configuración General

Configuración	Opciones	Función
	Korea	<ul style="list-style-type: none"> • AM Frequency Spacing - 9kHz • AM Frequency Band - 531kHz~1602kHz • FM Frequency Spacing - 200kHz • FM Frequency Band - 88.1MHz~107.9MHz
	China	<ul style="list-style-type: none"> • AM Frequency Spacing - 9kHz • AM Frequency Band - 522kHz~1620kHz • FM Frequency Spacing - 100kHz • FM Frequency Band - 87.5MHz~108.0MHz
Clock Mode (Modo Reloj)	12H	El reloj muestra el horario en 12 horas utilizando AM y PM.
	24H	El reloj muestra el horario en 24 horas hasta las 23:59.
Screen Saver (Protector de Pantalla)	On (Encendido)	Encendido/apagado de protector de pantalla.
	Off (apagado)	
Formato video (el trazado de circuito de la entrada auto-detecta la señal video de la CÁMARA FOTOGRÁFICA y aux. en la fuente video. El formato video no afecta el sintonizador de la TV - esto es un sintonizador de NTSC TV solamente.	Auto (Automático)	La salida de color de la señal se cambia automáticamente basada en el disco actual.
	NTSC	Las señales de color salen en el formato estándar NTSC.
	PAL	Las señales de color salen en el formato estándar PAL.
TFT Auto Open (Apertura Automática del TFT)	On (Encendido)	El panel TFT se abre automáticamente cuando la unidad se enciende.
	Off (Apagado)	Usted debe presionar el botón OPEN (1) para abrir el panel TFT.
	Manual	Cuando la ignición se da vuelta APAGADO, el panel de TFT no contrae si estaba previamente hacia fuera
Lenguaje de OSD	Inglés	Los menús se muestran en inglés solamente.
Clock (Reloj)	(HH:MM)	Vea "Ajuste del reloj" para aprender cómo se pone en hora el reloj.

Tabla 5: Función de Menú de Configuración General

Configuración	Opciones	Función
		Volver al menú anterior.

Poniendo en Hora el Reloj

Modo 1 – Pantalla TFT abierta:

1. Acceda a la configuración del reloj ("Clock") bajo el menú de Configuración General.
2. Presione los botones >> o << (14, 22) en el control remoto o los botones Λ o ∇ (18, 19) en el joystick para mover el cursor a la posición de hora ("Hour") o de minuto ("Min").
3. Presione los botones |<< o >>| (17, 19) en el control remoto o los botones < o > (16, 17) en el joystick para ajustar la hora o minutos.
4. Presione el botón << (14) en el control remoto para confirmar la configuración.

Método 2 - Pantalla TFT cerrada:

1. Presione y mantenga presionado el botón **DISP** (5) hasta que el reloj destelle en la pantalla LCD.
2. Presione los botones Λ o ∇ (18, 19) en el joystick para mover el cursor a la posición de hora ("Hour") o minuto ("Min").
3. Presione los botones < o > (16, 17) en el joystick para ajustar la hora o minutos.
4. Presione el botón **DISP** (5) en la unidad para confirmar la configuración.

Regresar al Menú de Configuración de Sistema

Para regresar al menú de Configuración de Sistema, muvase hasta , luego presione el botón >|| en el control remoto.

Menú de Configuración de ASP

El Menú de Configuración de ASP le permite realizar ajustes de audio finos.

Accediendo al Menú de Configuración de ASP

Para acceder al Menú de Configuración ASP (ASP CONFIG), presione los botones de dirección en el joystick (16, 17, 18, 19) o en el control remoto (14, 17, 18, 19, 22) para remarcar CONFIG ASP en verde. Presione el botón >|| (18) en el control remoto para entrar al menú de Configuración de ASP (ASP CONFIG). Un menú aparece con la opción para el primer tem, Frecuencia Central de Graves (Bass Center Freq, resaltado en celeste.

<i>ASP Config</i>	
Bass Center Freq	200HZ
Treble Center Freq	17KHZ
Sub Filter	120KHZ
Sub Phase	0D
Bass Q-Factor	1.25

Ajustando una Función

1. Ingrese en el campo de opción para la función que desea ajustar presionando el botón >|| (18) en el control remoto o presionando el botón **ENTER** (joystick) (20) en la unidad. Un submenú aparece en segunda fila con la opción seleccionada remarcada en celeste.
2. Seleccione un nuevo valor presionando los botones >> o << (14, 22).
3. Confirme su selección presionando los botones <<, |<< , o >>| (14, 17, 19) en el control remoto, o los botones < o > (16, 17) en el joystick. El nuevo valor se remarca en celeste y la configuración se completa.

Tabla 6: Funciones de Menú de Configuración de ASP

Configuración	Opciones	Función
Bass Center Frequency (Frecuencia Central de Graves)	60Hz	De acuerdo a la fuente de audio, seleccione la Frecuencia Central de Graves para alcanzar el mejor efecto de Graves.
	80Hz	
	100Hz	
	130Hz	
	150Hz	
Treble Center Frequency (Frecuencia Central de Agudos)	10KHz	De acuerdo a la fuente de audio, seleccione la Frecuencia Central de Agudos para alcanzar el mejor efecto de Agudos.
	12.5KHz	
	15KHz	
	17KHz	

Tabla 6: Funciones de Menú de Configuración de ASP

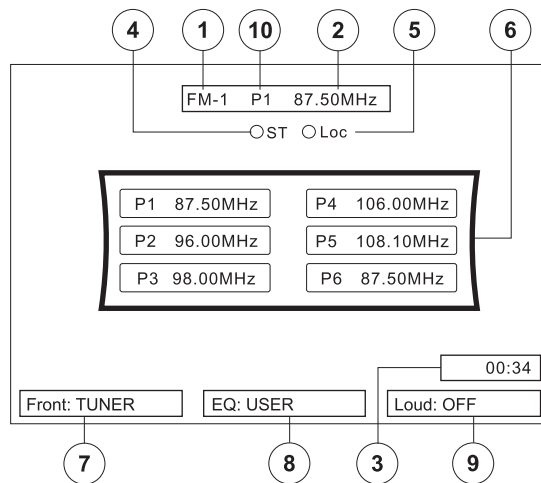
Configuración	Opciones	Función
Sub Filter (Filtro de Altavoz de Graves)	80Hz	Seleccionando una frecuencia de cruzamiento configura una frecuencia de corte del LPF (filtro de paso bajo) del altavoz de graves (sub-woofer) y el HPF (filtro de paso alto) del altavoz "SMALL". La configuración de frecuencia del Cruzamiento no tiene efecto si el altavoz de graves está en "OFF" o si cualquier otro altavoz está configurado en "LARGE".
	120Hz	
	160Hz	
Sub phase(Fase de Altavoz de Grave)	0D	Salida de altavoz de grave en fase
	180D	Salida del altavoz de graves FUERA DE fase.
Bass QOfactor (Factor Q de Graves)	1.0	Cuando se selecciona la Frecuencia Central de Graves, ajustar el Factor Q de Graves altera la salida afilada de Graves.
	1.25	
	1.5	
	2.0	
		Volver al menú anterior.

Saliendo del Menú de Configuración de Sistema

Para salir del modo de configuración y reasumir una reproducción normal, presione el botón de Configuración de Sistema (**SYS SETUP**, 31) en el control remoto o el botón **DISP** (5) en el panel delantero.

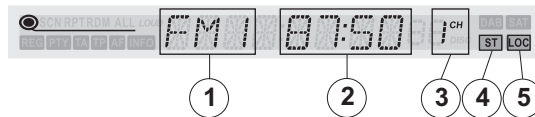
OPERACIÓN DEL RADIO

Pantalla del Sintonizador de TFT



1. Indicador de Banda de Radio Actual
2. Indicador de Frecuencia de Radio
3. Reloj
4. Indicador de Transmisión en Estéreo
5. Indicador de Transmisión de Señal Local Fuerte
6. Estaciones de Radio Preseleccionada
7. Modo de Reproducción
8. Nivel de Ecualizador Definido por el Usuario
9. Indicador de Configuración de Volumen
10. Indicador de Estaciones Actualmente en Memoria

Pantalla LCD del Radio



1. Indicador de Banda de Radio Actual
2. Indicador de Frecuencia de Radio
3. Indicador de Estaciones Actualmente en Memoria
4. Indicador de Transmisión en Estéreo
5. Indicador de Transmisión de Señal Local Fuerte

Cambio a Fuente de Radio

Presione el botón **SRC** (15) en el panel delantero o en el control remoto (8) para cambiar a la fuente del RADIO. La pantalla TFT o LCD del Sintonizador aparece.

Selección de Banda FM/AM

Presione el botón **BAND** (14) en el panel delantero o en el control remoto (20) para cambiar entre las bandas siguientes: FM1, FM2, FM3, AM1, y AM2.

Búsqueda de Sintonía

Presione el botón **>>|** (19) en el control remoto o el botón **>** (17) en el joystick para buscar la estación siguiente más alta.

Presione el botón **|<<** (17) en el control remoto o el botón **<** (16) en el joystick para buscar la estación siguiente más baja.

Sintonía Manual

Presione los botones **>>** o **<<** (14, 22) en el control remoto o los botones **Λ** o **V** (18, 19) en el joystick para incrementar o bajar la frecuencia de sintonía un paso a la vez.

Utilizando Estaciones Configuradas Previamente

Seis botones numerados almacenan y sintonizan estaciones preseleccionadas por cada banda. Todas las seis estaciones almacenadas en cada banda (P1 a P6) aparecen en la pantalla TFT.

Almacenando una Estación

1. Seleccione una banda (si es necesario), luego seleccione una estación.
2. Presione el botón de preselección (8-13) por tres segundos. El botón de preselección aparece en el panel LCD.

Sintonizando una Estación

1. Seleccione una banda (si es necesario).
2. Presione el botón de preselección (8-13) para seleccionar la estación almacenada correspondiente.



Almacenamiento Automático (AS)

Para seleccionar seis estaciones fuertes y almacenarlas en la banda actual:

1. Seleccione una banda (si es necesario).
2. Presione **AS** (26) por **> 2** segundos para activar la función de Almacenaje Automático.

Las nuevas estaciones reemplazan las almacenadas anteriormente en esa banda.

Buscador de Estaciones de Radio Local (LOC)

Cuando la función Local está encendida, solamente se reproducen radios con señal fuerte. Para activar la función Local, presione y mantenga el botón **LO/DX** (6) en el panel delantero. Presione nuevamente **LO/DX** para apagar la función Local. Cuando la última función Local se activa, el indicador "LOC" aparece encendido en la pantalla LCD o TFT.

OPERACIÓN DEL VIDEO DE DVD/VCD

NOTA: Cuando está adecuadamente instalado, el video en DVD no puede reproducirse en la pantalla TFT principal a menos que el freno de estacionamiento esté puesto. Si usted intenta ver un DVD mientras el vehículo está en movimiento, la pantalla TFT muestra "PARKING" con un fondo azul. Las pantallas de video traseras, si corresponde, operarán normalmente.

Abriendo / Cerrando la Pantalla de Video TFT

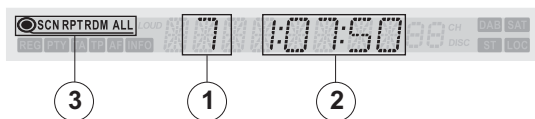
Abriendo la Pantalla TFT

Para abrir la pantalla de video TFT, presione el botón **OPEN** (1). La unidad hace un ruido de bip y luego se abre.

Cerrando la Pantalla TFT

Presione el botón **OPEN** (1) nuevamente para cerrar la pantalla TFT. Si la pantalla está en la posición "IN", la misma se mueve hacia afuera antes de cerrarse. Una vez que la pantalla TFT está cerrada, el panel LCD muestra el estado actual.

Pantalla LCD del DVD



1. Capítulo en Reproducción Actualmente
2. Tiempo de Reproducción Actual
3. SC - Reproducción en Escaneo; RPT - Reproducción en Repetición; RDM - Reproducción aleatoria; ALL - Reproducción de Todos los Discos

Insertar un Disco

Luego de insertar un disco DVD, el modo DVD se inicia y comienza la reproducción del disco. Si la pantalla TFT está cerrada, el indicador de DVD aparece iluminada en la pantalla LCD.

NOTA: Si el Seguro de Padres (Rating) se activa y el disco que se inserta no está autorizado, se debe ingresar un código de 4 dígitos y/o el disco debe ser autorizado (vea "Menú RATING (Bloqueo de Padres)" en la página 47).

Usted no puede insertar un disco si hay un disco ya en la unidad o si está apagada.

NOTA: DVD-R y DVD-RW no se reproducirán al menos que la sesión de grabación esté cerrada y el DVD finalizado.

Eyectar un Disco

Presione el botón **▲** (21) en el panel delantero o en el control remoto (25) para eyectar al disco. La unidad automáticamente vuelve al modo Radio.

Usted puede eyectar el disco con la energía apagada y la unidad permanecerá apagada luego de que el disco se haya eyectado.

Reinicie el Mecanismo de Carga

Si el disco se carga anormalmente o si ocurre una operación del mecanismo central anormal, presione y mantenga el botón **▲** (21) en el panel delantero o el control remoto (25) para reiniciar el mecanismo de carga. Se reanuda la operación normal.

Controlando la Reproducción

Deteniendo la Reproducción

Presione el botón **6/STOP** (13) en el panel delantero o el botón **■/BAND** (20) en el control remoto para detener la reproducción del DVD.

Pausando la Reproducción

Presione el botón **ENTER** (20) en el panel delantero o el botón **>||** en el control remoto (18) para pausar o reanudar la reproducción del disco. Para reanudar el aparato de lectura, presione botón **ENTER** (20) en el panel delantero o el botón **>||** en el mando a distancia (18).

Ejecución en Cámara Lenta

Presione el botón **V** (19) en el control remoto para jugar el título actual en cámara lenta a 1/2, 1/4, 1/6 o 1/7 de la velocidad normal. Presione **>||** (18) para reanudar la reproducción normal.

Avance Rápido/Retrosceso Rápido

Presione el botón **>>** (14) en el control remoto o el botón **Λ** (18) en el joystick para avance rápido. Mantenga presionando y soltando el botón para incrementar la velocidad "2X" a "4X", "8X" y "20X".

Reproducción en Repetición

Presione el botón **4/REP** (11) en el panel delantero o el botón **REPT** (7) en el control remoto para alternar el modo de repetición de acuerdo a lo siguiente:

- DVD Repetir Título, Repetir Capítulo, Apagar Repetir
- VCD (PBC apagado): Repetir Simple, Apagar Repetir

NOTA: Para una reproducción VCD, la función repetir no está disponible si PBC está encendido.

Función de Repetición Seccional (A-B)

Utilice la función A-B para definir un área específica de un disco para repetir.

- Presione el botón **REPT A-B** (6) en el control remoto para configurar el punto de partida (A) de la sección repetida.
- Presione el botón **REPT A-B** una vez que alcanzó el punto de finalización deseado (B) de la sección repetida. La porción seleccionada del DVD se repetirá ahora continuamente.
- Presione el botón **REPT A-B** nuevamente para cancelar la configuración de la sección A-B y detener la ejecución en repetición.

Reproducción Aleatoria

Con la reproducción de un DVD, VCD o CD, presione el botón **5/RDM** (12) en el panel delantero o el botón **RDM** (33) en el control remoto para activar la reproducción aleatoria y reproducir todos los capítulos/pistas en orden aleatorio. "Shuffle On" aparece en pantalla.

Presione el botón **>>|** (19) en el control remoto o el botón **>** (17) en el joystick para buscar la estación aleatoria siguiente.

Presione el botón **RDM** nuevamente para apagar la reproducción aleatoria. "Shuffle Off" aparece en pantalla.

NOTA: Cuando un VCD se está reproduciendo con PBC encendido en "On", el activar la reproducción aleatoria automáticamente apaga el PBC.

Accediendo al Menú DVD

Presione el botón **MENU** (1) en el control remoto para mostrar el menú de DVD principal. Utilice los botones direccionales (flechas) (**<**, **>**, **Λ** y **V**) en el joystick (16, 17, 18, 19) para seleccionar un título del menú.

Presione el botón **TITLE** (2) en el control remoto para seleccionar un título diferente para reproducir.

Presione el botón **>||** (18) en el control remoto o ingrese el botón **ENTER** (20) para confirmar su selección e iniciar la reproducción.

Moviéndose a Través de Capítulos

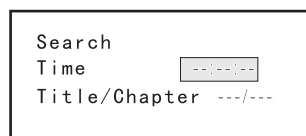
Presione el botón **>>|** (19) en el control remoto o el botón **>** (17) en el joystick para avanzar al próximo capítulo en el DVD.

Presione el botón |<< (17) en el control remoto o el botón < (16) en el joystick para ir al capítulo previo.

Búsqueda Goto

Durante la reproducción de DVD o VCD, realice los siguientes pasos para utilizar la función GOTO para acceder a una ubicación específica en el disco:

1. Presione el botón **GOTO** (21) en el control remoto para ingresar al modo **GOTO**.
2. Presione los botones >> o << (14, 22) en el control remoto o los botones **Λ** o **V** (18, 19) en el joystick para seleccionar una categoría (remarcada en azul).
 - Para modo DVD, usted puede elegir el buscador de Hora o Título/Capítulo.

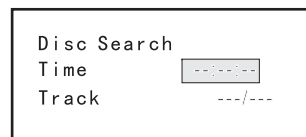


Para modo DVD, usted puede elegir el buscador de Hora o Título/Capítulo.

- Para modo VCD, presione el botón **GOTO** para elegir entre Búsqueda de Pista (Track Search), Búsqueda de Disco (Disc Search) y Salir (Exit).



Para modo DVD, usted puede elegir el buscador de Hora o Título/Capítulo.



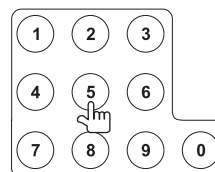
Para el modo de VCD, presione el botón **GOTO** para elegir entre la búsqueda de la pista, la búsqueda del disco y la salida

3. Ingrese una hora en el campo utilizando el teclado numérico (29) en el control remoto.
4. Presione el botón >|| (18) en el control remoto o ingrese el botón **ENTER** (joystick) (20) para ir a una ubicación específica en el disco.
5. Presione el botón **GOTO** nuevamente para salir.

La siguiente información se muestra en la parte inferior de la pantalla durante la reproducción de un VCD en modo de 2

Capítulo Directo / Selección de Pista

Durante la reproducción del DVD, VCD y CD, usted puede utilizar el teclado numérico en el control remoto (29) para acceder a una pista directamente.



Viendo un Ángulo de Imagen Alternativo (DVD Solamente)

Algunos DVDs contienen escenas que han sido grabadas simultáneamente desde diferentes ángulos. Para discos grabados en múltiples ángulos, presione el botón **ANGLE** (13) en el control remoto para alternar entre los ángulos disponibles en la imagen en pantalla.

Zoom (Acercamiento de imagen)

Presione el botón **ZOOM** (23) en el control remoto para agrandar y panear la imagen del video utilizando las siguientes opciones: "Q1", "Q2", "Q3", y "OFF".

Discos con Lenguaje Múltiple (DVD Solamente)

Cambiando el Lenguaje del Audio

Si usted está mirando un disco grabado en múltiples lenguas, presione el botón **AUDIO** (5) en el control remoto para elegir un lenguaje.

Cambiando el Lenguaje del Subtítulo

Si usted está viendo un disco grabado en múltiples lenguajes con subtítulos, presione el botón **SUBTITLE** (9) en el control remoto para elegir el lenguaje en el cual le gustaría que aparezcan los subtítulos.

NOTA: Durante la reproducción de un VCD, presione el botón AUDIO (5) en el control remoto para elegir entre Canal Izquierdo, Canal Derecho y Estéreo.

PBC (Control de Reproducción) (VCD Solamente)

Para VCDs con funcionalidad de reproducción, PBC (control de reproducción) provee controles adicionales para la reproducción de un VCD.

Presione el botón **MENÚ** (1) en el control remoto para alternar la función PBC entre encendido o apagado "On"/"Off". Una vez que el PBC esté encendido, la reproducción comienza de la pista uno de la lista de reproducción.

NOTA: Cuando el PBC se activa, el avance rápido, reproducción lenta y pista previa/siguiente están disponibles. Repetir y seleccionar pista directa no están disponibles.

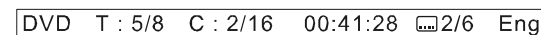
Cuando el PBC está activo, seleccionar aleatorio, escaneo o búsqueda automáticamente desactiva el PBC.

Información de Reproducción

Durante la reproducción de DVD/CD y VCD, presione el botón **DISP** (10) en el control remoto para mostrar información de reproducción en pantalla incluyendo el medio en reproducción y el tiempo de reproducción actual.

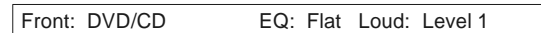
Información de Reproducción de DVD/CD

La siguiente información se muestra en la parte superior de la pantalla durante la reproducción de un DVD/CD:



- T : 5/8 - "5 / 8" indica el quinto de 8 títulos en el DVD que está reproduciendo actualmente.
- C : 2/16 - "2 / 16" indica el segundo de 16 títulos en el DVD que está reproduciendo actualmente.
- 00:41:28 - "00:41:28" indica el tiempo de reproducción del título actual.
- 2 / 6 Eng - La información de lenguaje indica el segundo lenguaje de 6 (Inglés) que actualmente está en uso.

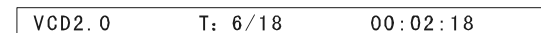
La siguiente información se muestra en la parte inferior de la pantalla durante la reproducción de un DVD:



- Delantero: DVD - "DVD" es la fuente de reproducción actual para la zona delantera.

Información de Reproducción de VCD

La siguiente información se muestra en la parte superior de la pantalla durante la reproducción de un VCD:



- VCD2.0 - Formato del disco actual.
- T : 6/18 - "6 / 18" indica el sexto de 18 títulos en el VCD que está reproduciendo actualmente.
- 00:02:18 - "00:02:18" indica el tiempo de reproducción del título actual.

canales:

Front: DVD/CD EQ: Flat Loud: Level 1

- Delantero DVD/CD: "DVD/CD" es la fuente de reproducción actual para la zona delantera.
- EQ: PLANO - El ecualizador está configurado en plano (FLAT)
- Volumen: Nivel 1 - La opción de Volumen está configurada a volumen de Nivel 1.

Información de Disco General

Tabla 7: Propiedades del Disco

Símbolo	Propiedades de Disco de 12 cm	Tiempo de Repord. Máx.
	Lado simple capa simple (DVD-5) Lado simple capa doble (DVD-9) Lado doble capa simple (DVD-10) Lado doble capa doble (DVD-18)	(Método MPEG 2) 133 minutos 242 minutos 266 minutos 484 minutos
	Lado simple capa simple (VCD)	(Método MPEG 1) 74 minutos
	Lado simple capa simple	74 minutos

Tabla 8: Símbolos de Disco

Símbolo	Significado
	Número de lenguajes de voz grabados. El número dentro del ícono indica el número de lenguajes en el disco (máximo de 8).
	Número de lenguajes en subtítulo disponibles en el disco (máximo de 32).
	Número de ángulos provistos (máximo de 9).
	Proporción de imagen disponible. "LB" significa Letter Box (Buzón) y "PS" significa Pan/Scan (paneo/escaneo). En el ejemplo en la izquierda, el video 16:9 se puede convertir a video Letter Box.

Tabla 8: Símbolos de Disco

Símbolo	Significado
	Indica el código de área donde el disco se puede pasar. <ul style="list-style-type: none"> • Región 1: USA, Canadá, Islas del Océano Pacífico Este • Región 2: Japón, Europa de Oeste, Europa del Norte, Egipto, Sudáfrica y Oriente Medio. • Región 3: Taiwán, Hong King, Corea del Sur, Tailandia, Indonesia y Asia del sudeste. • Región 4: Australia, Nueva Zelanda, América Central y América del Sur, Islas Oceánicas del Pacífico Sur/Oceanía. • Región 5: Rusia, Mongolia, India, Asia Central, Europa del Este, Corea del Norte, África del Norte, Asia Noroeste. • Región 6: China Continental • ALL: Todas las Regiones

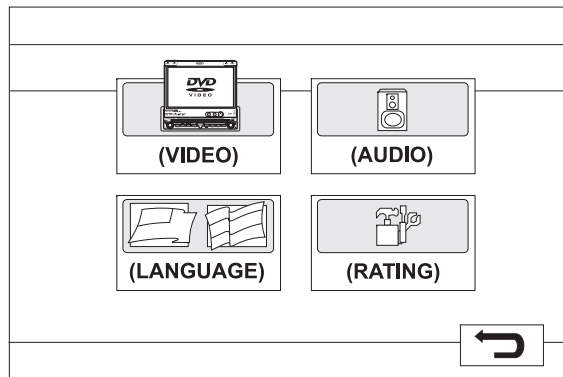
MENÚ DE CONFIGURACIÓN DEL DVD/DISCO

NOTA: Un DVD/disco se debe cargar en el mecanismo y jugar antes de tener acceso al menú de la disposición de DVD. Mientras que el DVD/disco está jugando, presione el botón DVD SETUP en el telecontrol para tener acceso al menú de la disposición de DVD.

En modo "DVD Setup" (Configuración de DVD), "LANGUAGE" (Lenguaje), "VIDEO", "AUDIO" y "RATING" (control de padres) están disponibles para su configuración. Esta operación puede ser realizada utilizando el control remoto o los controles con el joystick.

Accediendo a la Pantalla de Configuración de DVD

Para configuraciones del sistema, presione el botón DVD SETUP (31) en el control remoto para ingresar al menú de Configuración de DVD ("DVD Setup"). "LANGUAGE" (lenguaje), queda remarcado en verde.



NOTA: Una vez que se completa la configuración del DVD, las mismas se memorizan. Para volver a la configuración de fábrica, presione el botón RESET (22) en el panel delantero.

Menú de Acceso

Para acceder al menú (LANGUAGE, VIDEO, AUDIO o RATING), presione los botones de dirección en el joystick (16, 17, 18, 19) o en el control remoto (14, 17, 18, 19, 22) para remarcarse el menú deseado en verde.

Seleccionando una Función para Ajuste

Una vez dentro del menú, presione los botones >> o << (14, 22) en el control remoto o los botones **Λ** o **V** (18, 19) en el joystick para seleccionar la función a ajustar.

Ajustando una Función

1. Ingrese en el campo de opción para la función que desea ajustar presionando el botón >|| (18) en el control remoto o presionando el botón ENTER (joystick) (20) en la unidad. Un submenú aparece en segunda fila con la opción seleccionada remarcada en celeste.
2. Seleccione un nuevo valor presionando los botones >> o << (14, 22) en el control remoto o los botones **Λ** o **V** (18, 19) en el joystick.
3. Confirme su selección presionando los botones <<, |<<, o >>| (14, 17, 19) en el control remoto, o los botones < o > (16, 17) en el joystick. El nuevo valor se remarca en celeste y la configuración se completa.

Menú LANGUAGE (Lenguaje)

Si un DVD soporta más de 1 Subtítulo o lenguaje en el Audio, todos los lenguajes están disponibles para ser seleccionados durante la reproducción. Si el DVD no soporta el lenguaje seleccionado, entonces se utiliza el lenguaje predeterminado. Durante la reproducción, presione el botón SUBTITLE (9) o AUDIO (5) en el control remoto para cambiar el lenguaje directamente. Esto no afectará la configuración del menú DVD.

Tabla 9: Funciones de Menú LANGUAGE

Configuración	Opciones	Función
Subtítulos	Inglés	Seleccione el lenguaje predeterminado en el cual usted quiere ver los subtítulos (si aplica).
	Chino	
	Automático	
	Apagado	
Audio	Inglés	Seleccione el lenguaje predeterminado en el cual usted quiere escuchar el audio (cuando sea optativo).
	Chino	
Menú DVD	Inglés	Seleccione el lenguaje predeterminado en el cual usted quiere ver el menú DVD (si aplica).
	Chino	
		Volver al menú anterior.

Menú VIDEO

Tabla 10: VIDEO Menu Features

Configuración	Opciones	Función
Forma del TV (Proporción)	4:3 PS	Con pantalla de 16:9, los lados izquierdo y derecho están cortados
	4:3 LB	Con pantalla de 16:9, la parte de arriba y de abajo están cortadas
	16:9	La imagen se presenta en vista ancha con una proporción de 16:9
Marca de Ángulo	On	Se muestra el indicador de ángulo (si aplica)
	Off	No se muestra el indicador de ángulo
		Volver al menú anterior.

NOTA: Para discos estándar sin formato para "widescreen" o pantalla ancha, el uso de la proporción 16:9 distorsionará la imagen.

Menú de AUDIO

Tabla 11: Funciones del Menú AUDIO

Configuración	Opciones	Función
DRC	Apagado	Emplee el Control de Rango Dinámico para mejor reproducción en volúmenes bajos.
	Encendido	
		Volver al menú anterior.

Menú RATING (Bloqueo de Padres)

El sistema de DVD tiene una función de bloqueo de padres incorporada para prevenir que personas no autorizadas vean contenidos restringidos. Predeterminadamente, el sistema de calificación está desbloqueado. Una vez configurado, el bloqueo de padres se desbloquea solamente con la contraseña correcta. Una vez que se ingresa la contraseña, la calificación está lista para ser configurada.

word.

Tabla 12: Funciones del Menú RATING

Configuración	Opciones	Función
Contraseña	----	Ingrese una contraseña de 4 dígitos para activar la función de "Rating" (clasificación).
Rating (clasificación)	1. Seguridad de Niños	Seleccione el nivel de clasificación adecuado para la audiencia a la que se dirige. Usted puede sustituir con una clasificación más alta utilizando su contraseña.
	2. G	
	3. PG	
	4. PG-13	
	5. PG-R	
	6. R	
	7. NC-17	
	8. Adulto	
Carga de Fábrica	Reiniciar	Seleccione "Reset" (reiniciar) para reestablecer la configuración de fábrica para el sistema de clasificación solamente (Rating system only).
		Volver al menú anterior.

Para reestablecer la contraseña, ingrese el menú "RATING" e ingrese la contraseña actual. Una vez que se ingresa la contraseña correcta, usted accede al campo "Password" e ingresa la nueva contraseña.

NOTA: Guarde la contraseña y manténgala en un lugar seguro para futura referencia. La clasificación de cada disco está marcada en el disco, en su envoltorio o documentación. Si el disco no tiene clasificación, la función de bloqueo de padres no está disponible. Algunos discos restringen solamente porciones del disco y el contenido apropiado se verá. Para detalles, por favor refiérase a la descripción del disco.

OPERACIÓN DEL AUDIO DE DVD/DISCO

Las instrucciones para el control de TFT e Insertar/Expulsar son las mismas para operar DVD, CD, y MP3. Por favor, vea la sección Operación del Video de DVD/SDISC para obtener información sobre estos temas.

El VM9311 jugará música u otros archivos audio de los medios siguientes del disco:

- CD-DA
- CD-R/RW con los archivos de MP3 o de WMA
- DVD
- DVD-R/RW con los archivos de MP3 o de WMA

Después de insertar un disco con la pantalla de TFT ábrase, el disco y el título de la pista (si esta disponible), junto con el número de la pista y el tiempo el jugar aparece en la pantalla.

Controlando la Reproducción

Deteniendo la Reproducción

Presione el botón **6/STOP** (13) en el panel delantero o el botón **■/BAND** (20) en el control remoto para detener la reproducción del DVD. Para reasumir aparato de lectura, presione botón **ENTER** (20) en el panel delantero o el botón **>/||** en el mando a distancia (18).

Pausando la Reproducción

Presione le botón **ENTER** (20) en el panel delantero o el botón **>/||** en el control remoto (18) para pausar o reasumir la reproducción del disco.

Búsqueda de Pista

Presione el botón **>>|** (19) en el control remoto o el botón **>** (17) en el joystick para buscar la pista siguiente más alta.

Presione el botón **|<<** (17) en el control remoto o el botón **<** (16) en el joystick para buscar la pista siguiente más baja.

Repita la Reproducción

Presione el botón **4/REP** (11) en panel delantero o el botón de **REPT** (7) en mando a distancia para alterar modo de la repetición según el siguiente:

- DVD: Repeat Title, Repeat Chapter, Repeat Off
- CD-DA: Repeat Single, Repeat Off
- CD-R/RW: Repeat Single, Repeat Off
- DVD-R/RW: Repeat Single, Repeat Off

Exploración de la Pista Selecta (discos CD-DA solamente)

Durante juego del disco, presione el botón **3/SCN** (10) en la unidad o el botón de **SCAN** (34) en el mando a distancia para jugar los primeros 10 segundos de cada pista. Cuando se alcanza una pista deseada, presione el botón de **SCN** otra vez para cancelar la función y para jugar la pista seleccionada.

Reproducción Aleatoria

Con la reproducción de disc, presione el botón **5/RDM** (12) en el panel delantero para activar la reproducción aleatoria.

En modo reproducción aleatoria, usted puede presionar el botón **|<<** o **>>|** (17, 19) en mando a distancia o el botón **<** o **>** (16, 17) en la palanca de mando para seleccionar una pista en orden al azar en vez de la progresión normal. Presione los **5/RDM** otra vez para cancelar modo al azar del juego.

NOTA: El CD-R y CD-RW no funcionarán a menos que la sesión de grabación se cierre.

Avance Rápido

Presione el botón **>>** (14) en el control remoto o el botón **Λ** (18) en el joystick para avance rápido. Mantenga presionando y soltando el botón para incrementar la velocidad "2X" a "4X", "8X" y "20X".

Operación MP3/WMA

Este reproductor le permite pasar archivos MP3 grabados en CD-ROM, CD-R y CD-RW. Para discos CD-RW, por favor asegúrese que esté formateado utilizando un método completo y no un método rápido para prevenir una operación irregular del disco.

Hasta 999 canciones o archivos se pueden quemar sobre un disco para una mezcla MEGA de la música de DVD. No exceda este número de canciones o los archivos o los problemas de la legibilidad del disco pueden ocurrir.

Compatibilidad del Formato MP3

Los formatos de nombre de archivo listados abajo son compatibles con esta unidad:

- **ISO 9660 - nombre de archivo:** Extensión de archivo de 12 caracteres: 3 caracteres
- **ISO 9660 - nombre de archivo:** Extensión de archivo de 31 caracteres: 3 caracteres
- **Joliet:** 64 caracteres

Si el nombre del archivo o de la carpeta no cumple los estándares del sistema de archivo ISO 9660, puede que no aparezca o se reproduzca correctamente.

Utilice la siguiente configuración cuando esté comprimiendo datos de audio para su disco MP3:

- Rango de Transferencia de Bits: 320kbps
- Frecuencia de Muestreo: 48kHz

Cuando esté grabando un MP3 a la capacidad máxima del disco, deshabilite grabaciones adicionales. Para grabar en

un disco vacío hasta el máximo de la capacidad del disco, utilice la configuración "Disc at once".

Reproduciendo Archivos MP3/WMA

Luego de insertar un disco MP3/WMA, los archivos pasarán en la secuencia del directorio raíz.

Utilice el teclado numérico (29) del control remoto para acceder a los archivos directamente.

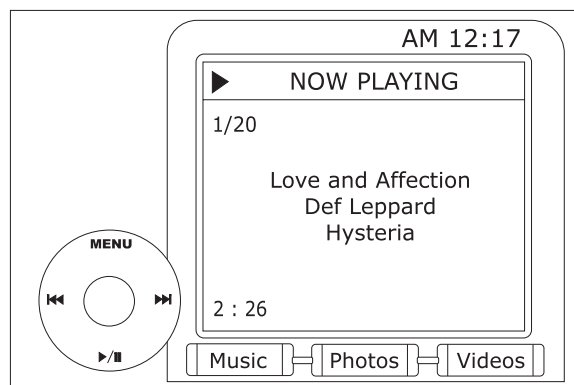
NOTA: Cuando MP3/WMA que se queman archiva sobre un disco de DVD, utilice la opción ardiente 2X o 4X, si esta disponible. Esta velocidad ardiente más lenta ayudará a eliminar errores del almacenador intermediario y a aumentar confiabilidad de lectura del disco. También, carpetas del uso al quemarse una gran cantidad de canciones/de archivos a un disco para la navegación fácil de la música.

Además, seleccione la opción del "Disc at Once" (disco inmediatamente) en su software ardiente al quemarse discos de DVD.

OPERACIÓN DE iPod

Al Modo del iPod del Acceso

La unidad cambiará automáticamente al modo del iPod cuando un iPod se tapa en el módulo de los medios. Para volver al menú del iPod de cualquier otro menú de la fuente, presione el botón de **SRC** (15) en el panel delantero o el mando a distancia (8) hasta que el menú del iPod aparece en la pantalla.



Controlar su iPod

Los botones siguientes del mando a distancia se utilizan para tener acceso a los menús del iPod:

TITLE = Música

MENU = Fotos

AUDIO = Videos

Utilice la palanca de mando en la unidad o las llaves direccionales en el mando a distancia para navegar los menús del iPod.

Lectura de la Música

Presione el botón >>| (19) en el control remoto o el botón > (17) en el joystick para seleccionar el artículo siguiente en el menú.

Presione el botón |<< (17) en el control remoto o el botón < (16) en el joystick para seleccionar el artículo anterior en el menú.

Presione el botón >|| (18) en el control remoto o el botón ENTER (20) en el joystick para seleccionar la opción destacada del menú.

Presione el botón >> (14) en el control remoto o el botón Λ (18) en el joystick para volver al menú anterior.

Lectura de Video

Mientras que el vídeo del iPod se puede ver en la pantalla VM9311, usted debe utilizar el iPod para controlar las opciones video del aparato de lectura.

Presione el botón **AUDIO** (5) en el mando a distancia para tener acceso al modo del VIDEO del iPod. El control de lanzamiento de la voluntad VM9311 de nuevo al iPod así que a usted puede seleccionar los medios video para ser exhibido en el monitor de VM9311 TFT. Para dar salida al modo VIDEO presione el botón >> (14) en el mando a distancia o el botón del **MENÚ** en el iPod.

NOTA: Para transmitir el vídeo de su iPod a la pantalla VM9311, usted debe fijar las opciones siguientes a través del menú video de los ajustes del iPod: TV Out = On, TV Signal = NTSC, y Widescreen = On.

Lectura de Foto

Mientras que el vídeo del iPod se puede ver en la pantalla VM9311, usted debe utilizar el iPod para controlar las opciones foto del aparato de lectura.

Presione el botón **MENU** (1) en el mando a distancia para tener acceso al modo del PHOTO del iPod. El control de lanzamiento de la voluntad VM9311 de nuevo al iPod así que a usted puede seleccionar los medios video para ser exhibido en el monitor de VM9311 TFT. Para dar salida al modo PHOTO presione el botón >> (14) en el mando a distancia o el botón del **MENÚ** en el iPod.

NOTA: Después de desconectar su iPod, el VM9311 volverá siempre al modo pasado alcanzado cuando su iPod se tapa nuevamente dentro de la unidad.

Revés Delantero/Rápido Rápido

Para ayunar el revés delantero o rápido, presiona y sostiene los botones |<< o >>| (17, 19) para 1 segundos y continúan sosteniendo. Lance para reasumir el juego normal.

Busque Playlist/El Artista/El Álbum/La Canción

Para buscar con Playlists, los artistas, los álbumes y las canciones, presionan el botón 1 (29) en el mando a distancia mientras que en uno de los directorios siguientes: Playlist, artista, álbum o canción. El directorio seleccionado será alcanzado con el número de páginas y de archivos en que directorio exhibido en la tapa de la página. Para tener acceso a la página o al archivo, incorpore el número de la página o de archivo directamente del teclado numérico de mando a distancia. Presione el botón de |<< o >>| (17, 19) en el

mando a distancia o el botón de < o > (16, 17) en la palanca de mando para seleccionar la canción o la pista deseada.

OPERATION DE LA RADIO XM®

Usted puede suscribir a la radio de XM® en www.xmradio.com, o llamando (800) 967-2346. Usted necesitará la identificación de la radio (véase la sección de la Exhibir el Número de la Identificación). Los clientes reciben un número pequeño de los canales sin la activación.

Accessing XM® Radio Mode.

Para ir al modo de radio de XM®, presione el botón de **SRC** (15) hasta que el panel de control. "XM RADIO" aparece en la exhibición.

The screenshot shows the XM Satellite Radio interface. At the top left is the XM logo. The main display area contains the following information:

- CHANNEL NAME:** ##AB##CD
- CH:** 000
- XM:** XM-1
- Time:** AM 12:23
- TITLE:** [Empty field]
- CATEGORY:** [Empty field]
- NAME:** [Empty field]
- INFO:** [Empty field]

Below the main display are six buttons for channel selection:

- XM1 C-SPAN
- XM2 CNN esp
- XM3 ESPN
- XM4 ESPNEWS
- XM5 Sporting
- XM6 NASCAR

Exhibir el Código de la Identificación

Antes de que usted escuche la radio de XM®, usted debe suscribir al servicio usando el número de identificación de su radio. Para exhibir la identificación de la radio, presione o los botones < o > (16, 17) en la palanca de mando en varias ocasiones a templar para acanalar 000. La pantalla exhibe la identificación de radio de 8 dígitos XM bajo "CHANNEL NAME".

Selecting a Station

Presione los botones < o > (16, 17) en el joystick o los botones |<< o >>| (17, 19) en el control remoto para cambiar a otra estación de radio.

Preselección de Memoria Automática

Para entrar preestablezca el modo, presione el botón de la venda para cambiar a XM-1, a XM-2, o a XM-3 (indicado en la esquina derecha superior de la pantalla de TFT).

Seis numerados preestablecen el almacén de los botones y recuerdan las estaciones para cada venda. Las seis

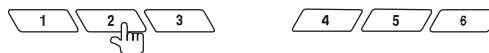
estaciones almacenadas (XM1-XM6) para la venda actual aparecen en la pantalla de TFT.

Almacenar una Estación

1. Seleccione una venda (XM-1, XM-2 o XM-3), después seleccione una estación.
2. Sostenga preestablecen el botón (1-6) por tres segundos. Preestablezca la estación aparece en la caja preestablecida correspondiendo en la mitad inferior de la pantalla.

Recordar una Estación

1. Seleccione una venda (XM-1, XM-2 o XM-3).
2. Presione para preestablecer el botón (1-6) para seleccionar la estación almacenada correspondiente.



Modo de la Guía del Canal/Categoría

Hay dos modos de la búsqueda a ayudar a navegar con los canales y o las categorías. Para tener acceso a la prensa del modo de la guía de Canal/Categoría, el botón del **ZOOM** (23) en el mando a distancia.

La guía del canal es el modo de la búsqueda del defecto. Para tener acceso a la guía de la categoría, presione el botón del **TITLE** (2) en el mando a distancia. Para volver a la guía del canal, presione el botón del **SUBTITLE** (9) en el mando a distancia.

Modo de la Guía del Canal

Cuando se presiona el botón del **ZOOM** (23) y se selecciona la guía del canal, "Search Mode" y el "CHANNEL" aparecen por la mitad superior del interfaz utilizador. "XM" aparece en la esquina derecha superior y los primeros seis canales XM se exhiben en las cajas por la mitad inferior de la pantalla de TFT.

The screenshot shows the XM Satellite Radio interface. At the top left is the XM logo. The main display area contains the following information:

- CHANNEL NAME:** [Empty field]
- CH:** [Empty field]
- XM:** XM
- Time:** AM 12:23
- TITLE:** [Empty field]
- CATEGORY:** [Empty field]
- NAME:** [Empty field]
- INFO:** [Empty field]

Below the main display are six buttons for channel selection:

- 1
- 2
- 3
- 4
- 5
- 6

Presione el botón >> (14) en el control remoto o el botón **Λ** (18) en el joystick para vea la página anterior de estaciones. Cada página contiene seis canales para seleccionar de.

Presione el botón << (22) en el control remoto o el botón **V** (19) en el joystick para vea la página anterior de estaciones. Cada página contiene seis canales para seleccionar de.

Para seleccionar un canal mientras que en modo de la guía del canal, presione correspondiente para preestablecer el número (1-6) en la unidad o el mando a distancia. El canal comenzará a jugar y la unidad volverá a preestableció modo. Mientras que en modo preestablecido, presione y sostenga preestablecen el botón (1-6) almacenar jugar del canal.

Modo de la Categoría

Cuando se selecciona el modo de la categoría, "Search Mode" y el "CATEGORY" aparecen por la mitad superior del interfaz utilizador. Para seleccionar una estación en una categoría específica, realice los pasos siguientes.

1. Presione el botón >> (14) en el control remoto o el botón **Λ** (18) en el joystick para vea las seis categorías siguientes. Presione el botón << (22) en el control remoto o el botón **V** (19) en el joystick para vea las seis categorías anteriores.
2. Para seleccionar una categoría, presione correspondiente para preestablecer el número (1-6) en la unidad o el mando a distancia. Una vez que se seleccione una categoría, las estaciones en que la categoría será exhibida en la pantalla.
3. Presione el botón >> (14) en el control remoto o el botón **Λ** (18) en el joystick para vea las seis estaciones siguientes.

Presione el botón << (22) en el control remoto o el botón **V** (19) en el joystick para vea las seis estaciones anteriores almacenó estaciones en la categoría seleccionada.

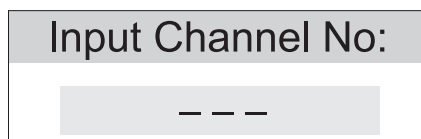
- Para seleccionar un canal mientras que en modo de la categoría, presione corresponden para preestablecer el número (1-6) en la unidad o el mando a distancia. El canal comenzará a jugar y la unidad volverá a preestableció modo. Mientras que en modo preestablecido, presione y sostenga preestablecen el botón (1-6) almacenar jugar del canal.

Presione el botón del **TITLE** (2) para volver a la página principal del modo de la categoría y para seleccionar una diversa categoría.

Seleccione Directamente una Estación

Para seleccionar una estación directamente:

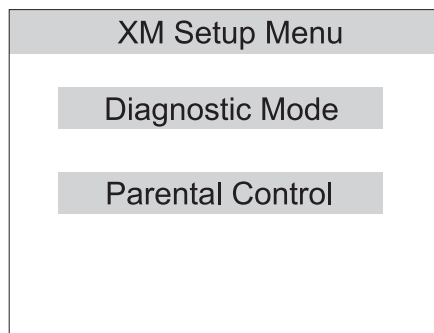
- Presione el botón **GOTO** (21) hasta que aparece la pantalla siguiente.



- Utilice las llaves del número en el mando a distancia para incorporar la estación de radio deseada XM. Usted debe incorporar un número de 3 dígitos (por ejemplo, 004).
- Presione el botón >|| (18) en el control remoto o el botón **ENTER** (20) en el joystick.

XM Menú Setup

Mientras que en XM el modo de radio, presione el botón del **MENÚ** (1) en el mando a distancia para visión el XM menú setup.



Presione el **MENÚ** para salir del submenú o del menú actual y para volver a la pantalla anterior.

Modo de Diagnóstico

Esta característica es reservada para el uso de los profesionales del servicio para localizar averías.

Control Parental

Por el defecto, esta característica es abierta y todos los canales se pueden alcanzar por cualquier persona que escucha la radio. Para trabar una estación, presione el botón de << (22) en el mando a distancia o el botón de **V** (19) en la palanca de mando hasta que el "Channel Number" es azul destacado. Entre el número de canal que se trabará. Presione el botón de << en el mando a distancia o el botón de **V** en la palanca de mando y seleccione la LOCK. Repita esta secuencia para que cada canal sea trabado. Presione el botón de >> (14) en el mando a distancia o el botón de **Λ** (18) en la palanca de mando y navegue el respaldo a la contraseña - la entrada 1264 y la cerradura amarilla pequeña cerrarán indicar que el channel(s) es bloqueado. Presione el botón del **MENÚ** (1) dos veces para volver a la página principal XM.

SOLUCIÓN DE PROBLEMAS

Tabla 13: Troubleshooting

Problema	Causa	Acción Correctiva
GENERAL		
La unidad no se encenderá	El Fusible del Radio se quemó	Instalar un nuevo fusible con la clasificación adecuada
	El fusible de la batería del auto se quemó	Instalar un nuevo fusible con la clasificación adecuada
	Operación Ilegal	Presione el botón RESET localizado en la esquina derecha inferior del panel delantero
Control remoto no funciona	Batería vacía	Reemplace la batería por una nueva
	Batería instalada incorrectamente	Quite la batería e instálela correctamente
No hay sonido o es bajo	Conexión de salida de audio inadecuada	Verifique el cableado y corrija
	Se puso el volumen muy bajo	Incremente el nivel de volumen
	Conexión "MUTE" inadecuada	Revise el diagrama del cableado y verifique la conexión "MUTE"
	Altavoces dañados	Reemplace los altavoces
	Balace de volumen fuertemente sesgado	Ajuste el balance del canal a la posición central
	El cable del altavoz está en contacto con una parte de metal del automóvil	Aísle todos los cables de conexión del altavoz
Calidad de sonido pobre o distorsión	Disco pirata en uso	Utilice copias originales
	Potencia de parlante no compatible con la unidad	Conecte altavoces adecuados
	Altavoz está cortado	Verifique el contacto del altavoz
Malfuncionamiento del Tel-Mute	El cable de "MUTE" está conectado a tierra	Verifique que la conexión "MUTE" no esté a tierra y que esté apropiadamente aislada
La unidad se reinicia sola cuando el motor está apagado	Conexión incorrecta entre el ACC y el cable de batería positivo	Verifique el cableado y corrija
MONITOR TFT		
El Monitor no se abre automáticamente	La apertura automática (Auto Open) del TFT está apagada	Encienda TFT Auto Open
No hay imagen	Conexión incorrecta al cable de freno de estacionamiento	Verifique el cableado y corrija
	PRK SW está activado y el freno de estacionamiento no enganchó	Detenga el vehículo en un lugar seguro y ponga el freno de estacionamiento
Imagen destellante o interferencia en pantalla	El DVD no es compatible con la configuración del sistema de TV	Cambie la configuración para acomodarse al disco
	Conexiones de señal de video inadecuadas	Verifique el cableado y corrija
Imagen prolongada o proporción de pantalla alto/ancho inadecuadas	Configuración de proporción incorrecto	Utilice una configuración de proporción correcta
El monitor se detiene en una posición incorrecta	La ruta de movimiento está bloqueada	Presione el botón OPEN para reiniciar el movimiento del monitor
SINTONIZADOR		
Búsqueda de estaciones débil	La antena del auto no está completamente extendida	Conecte el cable de control de antena del auto adecuadamente
	La antena del auto no está adecuadamente conectada	Conecte el cable de control de antena del auto adecuadamente
	Función LOCAL está activada	Apague la función LOCAL
No puede insertar un disco	Hay un disco adentro de la unidad	Eyecte el disco actual e inserte uno nuevo

Tabla 13: Troubleshooting

Problema	Causa	Acción Correctiva
El disco no se reproduce	El disco está doblado o rayado	Utilice un disco en buenas condiciones
	Disco sucio o mojado	Limpie el disco con una tela suave
	El láser está sucio	Limpie la punta del láser con un disco de limpieza
	Se utiliza un disco incompatible	Utilice un disco compatible
	La clasificación del disco excede el límite del Bloqueo de Padres	Cambie la configuración del Bloqueo de Padres a una restricción inferior
	El código de región del disco no es compatible con la unidad	Utilice un disco con código de región adecuado
	El disco está al revés	Inserte el disco con el sello hacia arriba
Imagen borrosa, distorsionada u oscura	El disco es una copia ilegal	Utilice un disco original
El PBC no se puede utilizar durante la reproducción de VCD	PCB no disponible en el disco	
No hay repetición o búsqueda mientras se reproduce un VCD	PCB está encendido	Apague el PCB
MP3		
Ocurrió una interrupción durante la reproducción	Disco sucio o rayado	Limpie el disco o reemplace
	El archivo está dañado o mal grabado	Cree nuevamente el disco con archivos buenos
Se muestra un mensaje de reproducción incorrecta	El mensaje es más largo de lo que puede mostrar el LCD	
RADIO XM		
Ninguno sonido	Conexiones de cable incorrectas	Verifique las conexiones de cable de RCA
XM fuente no disponible	Conexiones de cable incorrectas	Verifique las conexiones de cable de XM cable del cable de los datos o del módulo de los medios
ANTENNA aparece en XM la pantalla de la cañería	Antena no conectada	Verifique la conexión basada en los satélites de la antena
El resto de los errores		Reajuste el Módulo de los Medios
IPOD		
Fuente del iPod no disponible	Conexiones de cable incorrectas	Verifique las conexiones de cable del módulo del jLink y de los medios
No puede ver medios del vídeo y de la foto en la pantalla de TFT	Wrong iPod Video Settings	Cambie los ajustes video del iPod a TV Out = On Verifique la conexión de cable vídeo de la entrada del amarillo RCA del módulo de los medios
El resto de los errores		Reajuste el Módulo de los Medios

Mensajes de Error
Tabla 14: Mensajes de Errors

Mensaje Mostrado	Causa	Acción Correctiva
Carga	El disco está siendo leído	
No Disc (no hay disco)	El disco está sucio	Limpie el disco con una tela suave
	El disco está al revés	Inserte el disco con el sello hacia arriba
	El disco no está en el compartimento correspondiente	Inserte un disco
Disco Malo	El disco está sucio	Limpie el disco con una tela suave
	El disco está al revés	Inserte el disco con el sello hacia arriba
Disco desconocido	El formato del disco no es compatible con esta unidad	

Tabla 14: Mensajes de Errors

Mensaje Mostrado	Causa	Acción Correctiva
Region Error (Error de Región)	El DVD no es compatible con el código de región de la unidad	
Error	Operación del mecanismo ilegal	Presione EJECT por 5 segundos para reiniciar el mecanismo de carga

Cuidado y Mantenimiento

- Utilice solamente un paño de silicona limpio y detergente neutro para limpiar el panel delantero o monitor. Una tela dura y detergente que no es neutro (tal como alcohol) puede rayar o decolorar.
- No ponga agua o fluidos de limpieza en la unidad.
- Si la temperatura dentro del reproductor llega a ser muy caliente, un circuito de protección automáticamente detendrá la ejecución del disco. En este caso, deje que la unidad se enfríe antes de utilizar nuevamente el reproductor.
- Nunca inserte nada que no sea un disco compacto de 5" (12 cm) dentro del reproductor, pues el mecanismo se puede dañar debido a objetos extraños.
- No intente utilizar CD simples de 3" (8 cm.) en esta unidad, con o sin adaptador, pues puede causar daños en el equipo y/o en el disco. Tales daños no están cubiertos por la garantía de este producto.
- El reproductor de CD puede no operar apropiadamente en calor o frío extremos. Si tales condiciones se dan, espere hasta que el interior del vehículo alcance una temperatura normal antes de utilizar el reproductor.
- Cuando el vehículo se calienta durante clima frío o bajo condiciones de humedad, puede aparecer condensación en el panel LCD. Si esto ocurre, la pantalla no operará apropiadamente hasta que la humedad se haya evaporado.
- Sugerimos que utilice un disco de limpieza en esta unidad más frecuentemente que en la unidad en su casa debido a las condiciones ambientales del vehículo.

ESPECIFICACIONES

Calificación de Energía CEA



Salida de Energía: Canales 13 watts RMS X4 en 4-ohms @ < 1% THD+N

Señal a Coeficiente de Ruido: 70dBA bajo referencia. (Referencia: 1 watt, 4-ohms)

Energía Dinámica: 64 watts en 4-ohms, todos los canales conducidos

Frecuencia de Respuesta: 20Hz a 20kHz, -3dB Entrada auxiliar utilizada como referencia de fuente

Voltaje de Suministro de Referencia: 14.4VDC

Reproductor DVD/CD

Formatos compatibles: DVD-R, DVD-RW, DVD+R, DVD+RW, CD-R, CD-RW, CD-DA, MP3, WMA, SVCD, VCD and MPEG1, MPEG2 y JPEG

Señal a Coeficiente de Ruido: >95dBA

Rango Dinámico: >95dB

Frecuencia de Respuesta: 20Hz a 20kHz, -3dB {}

Separación de Canal: > 60dB @ 1kHz

Convertidor(es) D/A: Alta performance en 24 bit, 192kHz, modulador Sigma-Delta multi-bit. Soporta rangos de prueba desde 8~192kHz.

Protección contra Saltos Electrónica (ESP): Memoria extraíble de 16Mbit de alta velocidad. DVD: 3segundos, CD-DA: 10segundos, MP3 / WMA: 100 / 200seg

Video

Formato: NTSC, PAL (auto-detección)

Salida: 1Vp-p (75-ohm)

Entrada: 1Vp-p (75-ohm)

Sintonizador FM

Rango de Sintonía: 87.5MHz - 107.9MHz

Sensitividad Mono(-30dB): 9dBf

Acallando Sensitividad (-50dB): 15dBf

Alternando Selectividad de Canal: 70dB

Señal a Coeficiente de Ruido @ 1kHz: 58dB

Rechazo de Imagen: 80dB

Separación de Estéreo @ 1kHz: >30dB

Frecuencia de Respuesta 30Hz-15kHz (-3dB) {}

Sintonizador AM

Rango de Sintonía: 530kHz -1.720kHz

Sensibilidad (-20dB): 30uV

Señal a Coeficiente de Ruido @ 1kHz: 50dB

Rechazo de Imagen: 60dB

Frecuencia de Respuesta 50Hz-2kHz, -3dB

Monitor

Tamaño de Pantalla: 7.0" (Medido diagonalmente), 16:9

Pantalla ancha

- 6.06" (154.1mm) W X 3.42" (87mm) H

Tipo de Pantalla: Pantalla TFT de Cristal Líquido (LCD) de matriz activa

Tiempo de Respuesta: Tiempo de alzada 30mSeg, tiempo de caída 50mSeg

Resolución:

- DVD/Video Compuesto adentro: 336,960 sub pixels, 1440 (W) X 234 (H)

Ángulo de visión:

- 65 grados izquierda o derecha
- 40 grados arriba
- 65 grados abajo

General

Impedancia de Entrada Auxiliar: 10k

Alimentación: 11 a 16VDC, negativo a tierra

Antena de la Energía (Azul): 500mA max, protección limitada a la corriente eléctrica

Amplificador Remote (Azul/Blanco): 500mA, protección limitada a la corriente eléctrica

Fusible: 15 ampere, tipo mini ATM

Dimensiones de chasis DIN : 2" X 7" X 7" (50mm x 178mm x 178mm)

Temperatura de Funcionamiento: -20C ~ 70C

* Especificaciones sujetas a cambios sin notificación.

Garantía Limitada de 12 Meses

AUDIOVOX CORPORATION (la Compañía) garantiza al comprador minorista original del presente producto que en el caso de que este producto o cualquiera de las partes del mismo, bajo circunstancias y condiciones de uso normal, tuviera algún defecto, tanto en el material como en la mano de obra, dentro de un plazo de 12 meses a partir de la fecha de compra original, dicho(s) defecto(s) serán reparados o reemplazados (a criterio de la Compañía) sin cargo alguno por las piezas y la mano de obra para la reparación. Para obtener servicios de reparación o sustitución en virtud de los términos y las condiciones de la presente Garantía, entre en contacto con por favor Jensen en el número de teléfono proporcionado abajo.

Esta Garantía no cubre la eliminación de la estática del automóvil ni los ruidos del motor, la corrección de los problemas de antena, los gastos incurridos para la remoción o la reinstalación del producto, o los daños provocados a las cintas, los discos compactos, los accesorios o los sistemas eléctricos del vehículo. Esta Garantía no se aplica a aquellos productos, o partes de los mismos, que según opinión de la Compañía, hayan sufrido algún daño o fue dañado como

consecuencia de alguna alteración, instalación incorrecta, maltrato, uso indebido, negligencia, accidente o por la eliminación o mutilación de las etiquetas correspondientes al número de serie y código de barras de la fábrica. LA RESPONSABILIDAD QUE LA COMPAÑÍA ASUME EN VIRTUD DE LA PRESENTE GARANTÍA SE LIMITA A LA REPARACION O LA SUSTITUCION QUE SE MENCIONAN ANTES Y, BAJO NINGUNA CIRCUNSTANCIA, LA RESPONSABILIDAD DE LA COMPAÑÍA HABRA DE EXCEDER EL PRECIO DE COMPRA QUE EL COMPRADOR PAGO POR EL PRODUCTO.

Esta Garantía reemplaza a toda otra garantía expresa o implícita. TODA GARANTÍA IMPLÍCITA, INCLUYENDO AQUELLAS GARANTÍAS IMPLÍCITAS DE BUENA CALIDAD Y COMERCIABILIDAD, ESTARA LIMITADA A LA DURACION DE ESTA GARANTÍA ESCRITA. CUALQUIER TIPO DE DEMANDA JUDICIAL POR INCUMPLIMIENTO DE ALGUNAS DE LAS CONDICIONES DE LA GARANTÍA ESPECIFICADA EN EL PRESENTE, INCLUIDA CUALQUIER GARANTÍA IMPLÍCITA DE BUENA CALIDAD Y COMERCIABILIDAD, DEBERA PRESENTARSE EN EL PLAZO DE 12 MESES A PARTIR DE LA FECHA DE LA COMPRA ORIGINAL. DE NINGUN MODO LA COMPAÑÍA TENDRA RESPONSABILIDAD ALGUNA POR CUALQUIER DAÑO O PERJUICIO INDIRECTO O INCIDENTAL OCASIONADO POR EL INCUMPLIMIENTO DE LA PRESENTE GARANTÍA, O DE CUALQUIER OTRA GARANTÍA EXPRESA O IMPLÍCITA. Ninguna persona ni representante está autorizada a asumir responsabilidad alguna en nombre de la Compañía, excepto por lo expresado en la presente garantía, en relación con la venta de este producto.

Algunos estados no permiten limitaciones respecto de la duración de una garantía implícita o la exclusión o limitación de los daños indirectos incidentales, por lo tanto, es posible que las limitaciones antes citadas no correspondan en su caso. La presente Garantía le otorga derechos especiales y usted puede gozar de otros derechos que varían de un estado a otro.

U.S.A : 1-800-323-4815

CANADA: Llamar a 1-800-323-4815 para la ubicación de la estación que le proporciona servicio de garantía.

Audiovox Electronics Corporation
Hauppauge, NY 11788
Asistencia Técnica: 1-800-323-4815
www.jensen.com

© 2006 Audiovox
Ver 1.0
Impreso en China

PREPARATIFS

Félicitations pour l'achat du récepteur Jensen mobile multimédia.

C'est une bonne idée de lire toutes les instructions avant de commencer l'installation. Nous recommandons que vous installiez votre Jensen VM9311 par une boutique d'installation normale.

Fonctions

DVD

- Des formats compatibles : DVD-R, DVD-RW, DVD+R, DVD+RW, CD-R, CD-RW, CD-DA, MP3, WMA, SVCD, VCD et MPEG1, MPEG2 et JPEG.
- Reproduction Région 1
- Rapport largeur/longueur 16 :9 - Normal/Cinéma
- Contrôle DVD panneau d'avant
- Avance rapide/Rembobinage rapide à haute vitesse, 2X, 4X, 8X et 32X
- Reproduction, Pause, Arrêt, Lent
- Chapitre vers le haut/vers le bas
- 24 bit à haute performance Wolfson Microelectronics, 194 kHz DAC soutient des modes d'audio mélange-abaisseur à 2-chaîne
- Mémoire flash à haute vitesse à 16 Mbit - Temps d'accès 80ns

MP3/WMA

- GIGA MP3 - Vous pouvez stocker jusqu'à 999 fichiers MP3 sur un DVD
- Compatible avec onglet ID3
- Accès direct à la piste
- Reproduction, Pause, Arrêt, Piste vers le haut/vers le bas
- 100 secondes (MP3), 200 secondes (WMA), ESP - Electronic Skip Protection

CD

- Compatible avec CD-texte
- ESP 4 secondes - Electronic Skip Protection

Tuner AM/FM

- Tuner Etats-Unis/Europe/Amérique Latine/Asie
- 30 stations pré-réglées (18FM/12AM)
- Tuner II JENSEN Plus

Outboard Media Module

- Adaptateur entrée pour Radio XM, et iPod

Prêt pour XM

- Exige une boîte tuner Terk XMD 1000 facultatif
- Exige un Terk XMD JEN100 facultatif ou des câbles Jensen JXMC XM
- Affichage avancée montre l'artiste, le titre de la chanson et chaîne XM et catégorie dans un regard

- Entrée de chaîne directe

Prêt pour iPod

- Contrôle et frais tous les iPods sauf « Shuffle »
- Affiche toute l'information du texte y compris la catégorie, le nom de la piste, l'artiste, et le numéro de la chaîne

Châssis

- Un affichage à cristaux liquides TFT à matrice active à 7 pouces, pixels 336, 960 (1440 Largeur x 234 Hauteur)
- L'affichage à cristaux liquides TFT automatique, motorisé à bascule
- Ajustement d'inclinaison de l'affichage à cristaux liquides TFT à 16 pas
- Confirmation de la tonalité bip
- Système de gestion de la chaleur, incorpore de la ventilation froide de sorte que les puces fonctionnent à des températures nominales.
- Châssis galvanisé à haute résistance

Général

- Télécommande pleine fonction à infra-rouge
- Sortie vidéo composite 1 NSTC pour des écrans supplémentaires
- Contrôle menu pour affichage sur écran - OSD
- Processeur audio à haute performance
- Volume, basse, aigu, balance et équilibreur électroniques
 - Ajustement de fréquence centre de basse - 60, 80, 100, 130, 150 et 200 Hz
 - Facteur Q de basse - 1.0, 1.25, 1.5 et 2.0
 - Ajustement de fréquence centre d'aigu - 10, 12.5, 15 et 17 kHz
 - Aire de recouvrement caisson de basse - 80, 120 et 160 Hz
 - Phase caisson de basse - 0 à 180 degrés
 - Niveau de caisson de basse - variable
- Impédance basse à 100ohms sorties pré-amplificateur - toutes les chaînes
- Sortie RCA à 5V Peak/2V RMS - toutes les chaînes
- Sorties RCA un paire devant
- Sorties RCA un paire à arrière
- Sortie RCA à caisson de basse simple
- Entrée RCA A/V un paire Auxiliaire
- Equilibreur Flex
- Panneau d'avant (Lorsque l'écran est fermé) à l'affichage à cristaux liquides de haut contraste
- Contrôle audio enregistreur à rotation
- Navigation menu avec la manette

Outils et matériel

Vous aurez besoin des outils et du matériel suivants pour installer la radio :

- Type Torx des tournevis plat et Philips
- Des coupeurs de fil et séparateurs d'épousé
- Outils pour enlever la radio existante (tournevis, un ensemble de clés à douille et d'autres outils)
- Bande électrique
- Outil à sertissage
- Voltmètre/lumière d'épreuve
- Connexions à sertissage
- Fer jauge 18 pour branchage puissance, fer jauge 16-18 de haut parleur

Avertissement ! Branchez l'appareil à une alimentation de 12 V avec une bonne terre

Avertissement ! N'installez jamais cet appareil dans un endroit où l'opération et le visionnement peuvent interférer avec la sécurité de conduite

Avertissement ! Pour réduire le risque d'un accident de voiture (sauf lorsque vous l'utilisez pour la caméra à vue arrière) n'utilisez jamais la fonction de visionnement de vidéo lorsque vous conduisez. C'est une violation de la loi fédérale.

Avertissement ! Ne démontez jamais et n'ajustez jamais cet appareil

Avertissement ! Pour prévenir des endommagements par le choc ou le feu, n'exposez jamais cet appareil à l'humidité ou à l'eau

Avertissement ! N'utilisez jamais de disques irréguliers

Avertissement ! Pour prévenir des endommagements au mécanisme à l'intérieur de cet appareil, évitez des impacts sur le moniteur TFT

Avertissement ! Utilisation d'un fusible incorrect peut endommager cet appareil et causer un feu

Avertissement ! Pour empêcher d'endommager l'écran, évitez de le toucher avec vos doigts ou avec un objet quelconque.

Avertissement ! Le moniteur utilise un mécanisme automatique motorisé. Pour empêcher d'endommager ce mécanisme crucial, veuillez ne pas pousser, tirer ou manipuler le moniteur à la main.

Accessoires facultatifs

Prêt pour iAUX³ (vendu séparément)

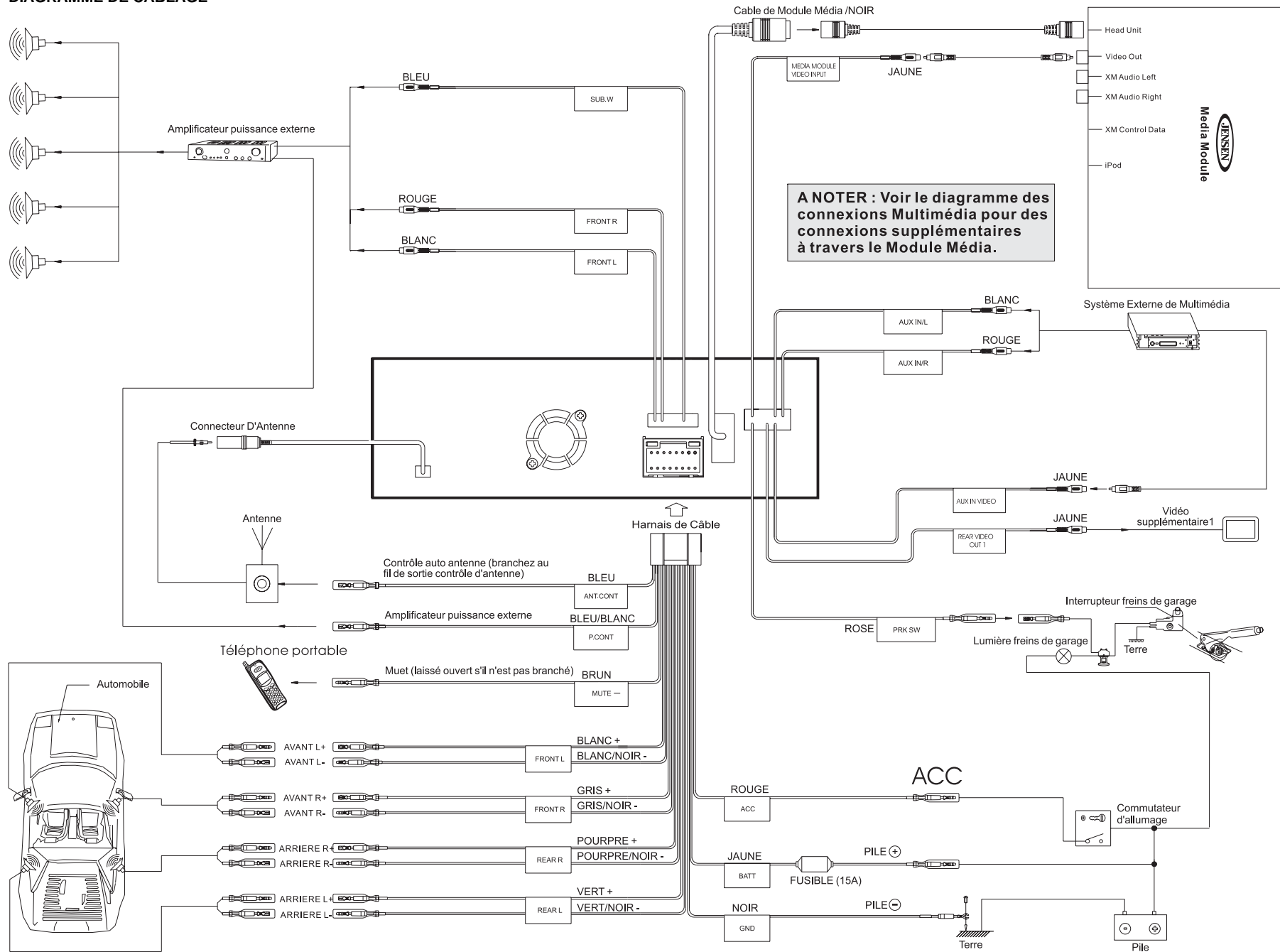
- Peut être branché à n'importe quel engin média portatif ou un engin multi-média en utilisant une prise standardisée de 3,5mm
- Convertir l'entrée auxiliaire 3,5mm à des sorties stéréos RCA pour un branchement facile aux entrées auxiliaires de radios

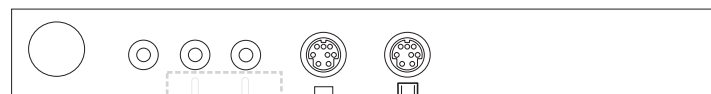
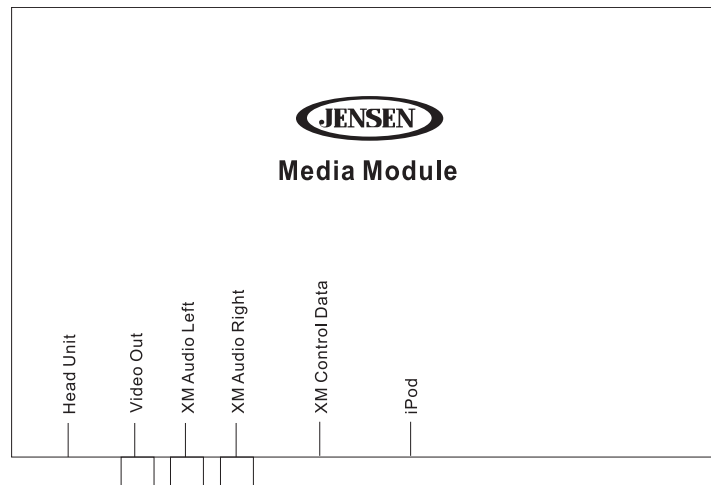
Débranchez la pile

Pour prévenir un court-circuit, assurez-vous que le commutateur d'allumage est mis en arrêt, et enlevez la câble pile négative avant l'installation.

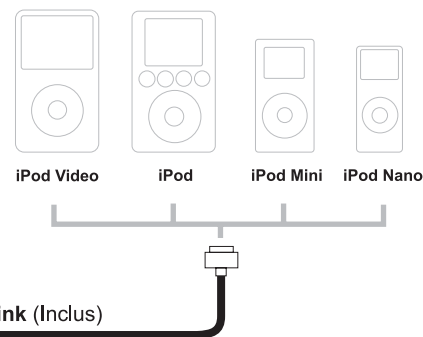
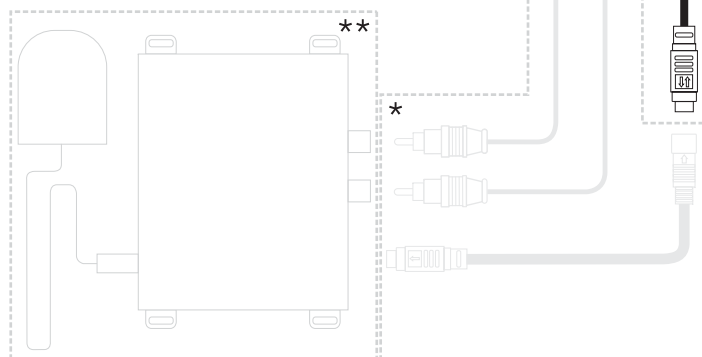
A NOTER : Si le VM9311 est installé dans une voiture qui est équipée d'un lecteur à bord ou un ordinateur de navigation, ne débranchez pas la câble pile. Si le câble est débranché la mémoire de l'ordinateur peut être perdue. Dans ces conditions, prenez des précautions supplémentaires pour éviter de causer un court-circuit.

DIAGRAMME DE CÂBLAGE



WIRING DIAGRAM - MULTIMEDIA CONNECTIONS


*Câbles TERK XMD JEN 100 (vendu séparément)
 **Tuner Direct et antenne TERK XMD 1000 (vendu séparément)

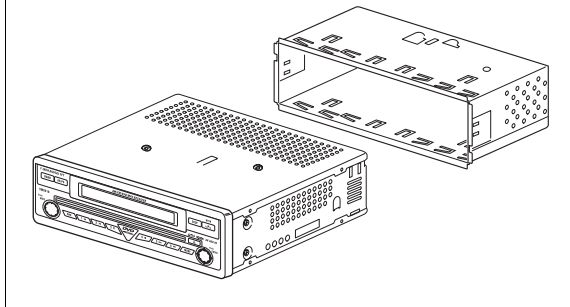


INSTALLATION

Pré-installation

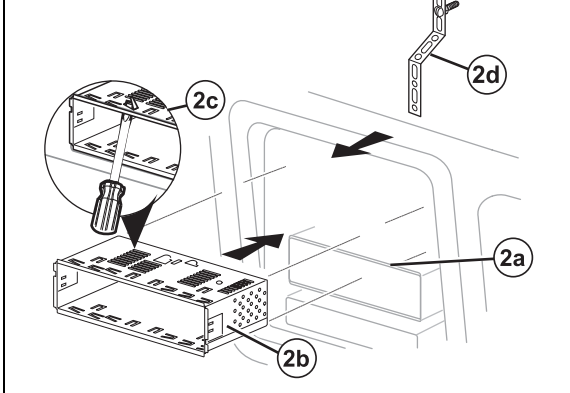
1. Appuyez sur les leviers métalliques sur les deux côtés pour enlever le demi-manche de la radio.

PREPARER LA RADIO



2. Installez le demi-manche.
 - a. Installez l'adaptateur si nécessaire (facultatif).
 - b. Installez le demi-manche dans l'adaptateur ou dans le tableau de bord (n'utilisez que des écrous fournis). Ne forcez pas le manche dans l'ouverture et ne le pliez pas.
 - c. Trouvez la série de languettes de plissage sur la partie supérieure, la partie inférieure et les côtés du manchon de montage. Avec le manchon inséré jusqu'au bout dans le tableau de bord, pliez autant de languettes que vous pouvez pour fixer fermement le manchon dans le tableau de bord.
 - d. Installez le demi-manchon. Installez le courroie de soutien de sorte que l'appareil soit plus stable. Install support strap to make the unit more stable.

INTALLEZ LE DEMI-MANCHON



Précaution : Prenez soin de ne pas endommager le câblage de la voiture.

4. Placez la radio devant l'ouverture du tableau de bord de sorte que le câblage puisse traverser le manchon de montage.

Câblage

Terminez le câblage comme illustré dans les diagrammes de câblage à la page 59 et 60. Lorsque le câblage est terminé, rebranchez la borne négative de la pile. S'il n'y a pas d'ACC disponible, branchez le câble ACC à l'alimentation avec un interrupteur.

A NOTER : Lorsque vous remplacez un fusible assurez-vous que vous utilisez le type correct et le bon ampérage pour éviter d'endommager la radio. Le VM9311 utilise un fusible à 15 Amp mini-ATM, situé dans la boîte de filtre noire aligné avec le harnais câblage principal.

Installation finale

Après avoir terminé les branchements de câbles mettez l'appareil en marche pour confirmer l'opération (le commutateur d'allumage doit être en fonction). S'il n'y a pas d'opération, revérifiez tout le câblage jusqu'à ce que les problèmes soient corrigés. Lorsque l'opération est atteinte, mettez le commutateur d'allumage en arrêt et procéder à l'installation finale du châssis.

1. Branchez l'adaptateur de câblage au harnais de câblage existant.
2. Branchez le fil d'antenne.
3. Glissez la radio avec soin dans le demi-manchon en vous assurant qu'il est bien aligné sur le bon côté jusqu'à ce qu'il soit bien assis et les agrafes élastiques la mettent fermement en place.

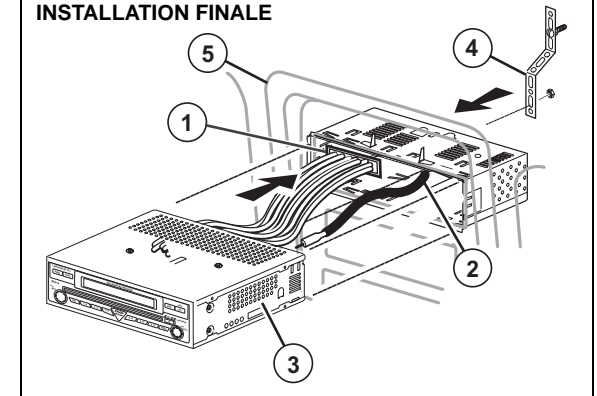
A NOTER : Pour une bonne opération de la platine CD/DVD, le châssis doit être monté à l'intérieur de 20° de l'horizontal. Assurez-vous que l'appareil est monté à l'intérieur de cette gamme.

4. Attachez un bout de la courroie de soutien perforée (fournie) au boulon à l'arrière du châssis en utilisant l'écrou hexagonal fourni. Attachez l'autre bout de la courroie perforée à une partie sûre du tableau de bord, soit au-dessus de ou au-dessous de la radio, en utilisant le boulon et l'écrou hexagonal fournis. Pliez la courroie pour la positionner comme il faut.

A NOTER : Pour une bonne opération de la platine CD/DVD, le châssis doit être monté à l'intérieur de 20° de l'horizontal. Assurez-vous que l'appareil est monté à l'intérieur de cette gamme.

5. Glissez la radio avec soin dans le demi-manchon en vous assurant qu'il est bien aligné sur le bon côté jusqu'à ce qu'il soit bien assis et les agrafes élastiques la mettent fermement en place.

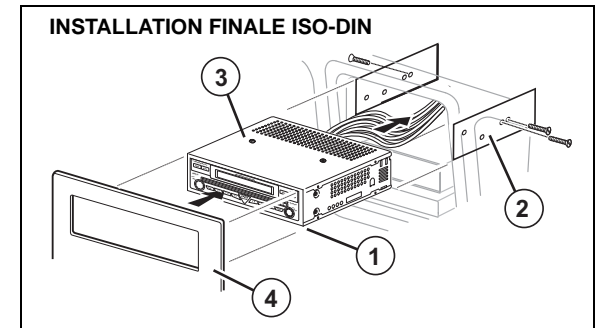
INSTALLATION FINALE



Installation finale ISO-DIN

1. Enlevez la rondelle décorative.
2. Montez les équerres d'usine sur la nouvelle radio en utilisant les écrous existants de l'ancienne radio.
3. Glissez la radio dans l'ouverture du tableau de bord et tenez fermement en place.
4. Réinstallez le panneau du tableau.

INSTALLATION FINALE ISO-DIN



CONTROLES ET INDICATEURS

Opération par bouton

1. OPEN

Appuyez sur le bouton **OPEN** (1) pour activer le système automatique mécanique et déplacer le moniteur TFT dans une position de visionnement. Appuyez de nouveau pour fermer le TFT.

2. WIDE/PICTURE

Appuyez sur le bouton **WIDE/PICTURE** (2) pour ajuster l'aspect d'affichage de l'image à l'un des trois réglages suivants : Cinéma, Plein ou Normal. Maintenez l'appui pour accéder aux réglages d'image.

3. (▲)

Appuyez sur le bouton ▲ (3) pour ajuster l'angle d'inclinaison vers le haut de l'écran une étape à la fois. Maintenez l'appui sur ce bouton pour ajuster de manière continue l'inclinaison vers le haut de l'écran ou les réglages d'image.

4. (▼)

Appuyez sur le bouton ▼ (4) pour ajuster l'angle de l'inclinaison vers le bas de l'écran une étape à la fois. Maintenez l'appui sur ce bouton pour ajuster de manière continue l'inclinaison vers le bas ou les réglages d'image.

5. DISP

Appuyez sur le bouton **DISP** (5) pour afficher l'information du système sur l'écran.

6. VOL/LOC/DX

Tourner le bouton **VOL/LOC/DX** (6) pour ajuster le volume. Appuyez et relâchez pour entrer et ou confirmer les réglages d'audio.

7. POWER/MUTE

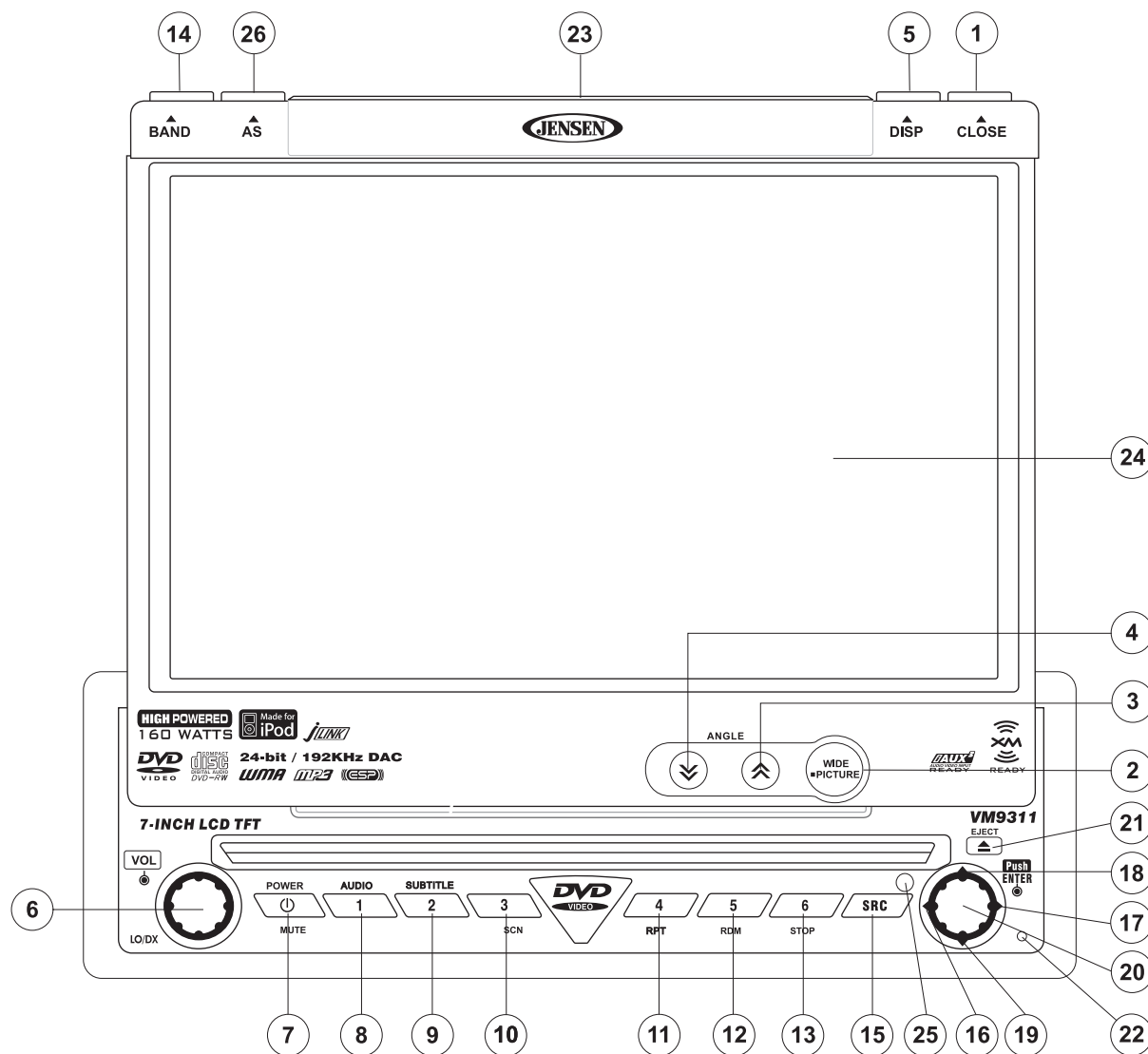
Appuyez sur le bouton **POWER/MUTE** (7) une fois pour mettre l'appareil en marche. Appuyez de nouveau pour assourdir le volume. Appuyez et maintenez l'appui pour mettre l'appareil en arrêt.

A NOTER : Le VM9311 a Softmute qui permet au volume d'augmenter ou de diminuer au fur et à mesure que la fonction MUTE est activée ou désactivée.

8. 1/AUDIO

Mode DVD : Appuyez pour sélectionner la langue d'audio pendant la reproduction.

Mode Tuner : Appuyez une fois pour jouer la station de radio pré-réglée 1. Appuyez et maintenez l'appui pour stocker la station de radio courante dans la chaîne pré-réglée 1.



9. 2/SUBTITLE

Mode DVD : Appuyez une fois pour sélectionner la langue de sous-titrage pendant la reproduction.

Mode Tuner : Appuyez une fois pour jouer la station de radio pré-réglée 2. Appuyez et maintenez l'appui pour stocker la station de radio courante dans la chaîne pré-réglée 2.

CONTROLES ET INDICATEURS

10. 3/SCN

Mode DVD : Appuyez une fois pour commencer le balayage de la reproduction.

Mode Tuner : Appuyez une fois pour jouer la station de radio pré-réglée 3. Appuyez et maintenez l'appui pour stocker la station de radio courante dans le chaîne pré-réglée 3.

11. 4/REP

Mode DVD : Appuyez une fois pour commencer la répétition de la reproduction.

Mode Tuner : Appuyez une fois pour jouer la station de radio pré-réglée 4. Appuyez et maintenez l'appui pour stocker la station de radio courante dans la chaîne pré-réglée 4.

12. 5/RDM

Mode DVD : Appuyez une fois pour la reproduction au hasard.

Mode Tuner : Appuyez une fois pour jouer la station de radio pré-réglée 5. Appuyez et maintenez l'appui pour stocker la station de radio courante dans le chaîne pré-réglée 5.

13. 6/STOP

Mode DVD : Appuyez une fois pour arrêter la reproduction.

Mode Tuner : Appuyez une fois pour jouer la station de radio pré-réglée 6. Appuyez et maintenez l'appui pour stocker la station de radio courante dans la chaîne pré-réglée 6.

14. BAND

Mode Tuner : Appuyez pour basculer entre FM et AM.

15. SRC

Appuyez une fois pour sélectionner la mode de reproduction.

16. (◀)

Mode DVD : Appuyez une fois pour reproduire le chapitre/la piste précédente.

Mode Tuner : Appuyez une fois pour lancer la recherche automatique pour la station de radio disponible précédente.

Mode Menu : Appuyez une fois pour déplacer le curseur à gauche.

17. (▶)

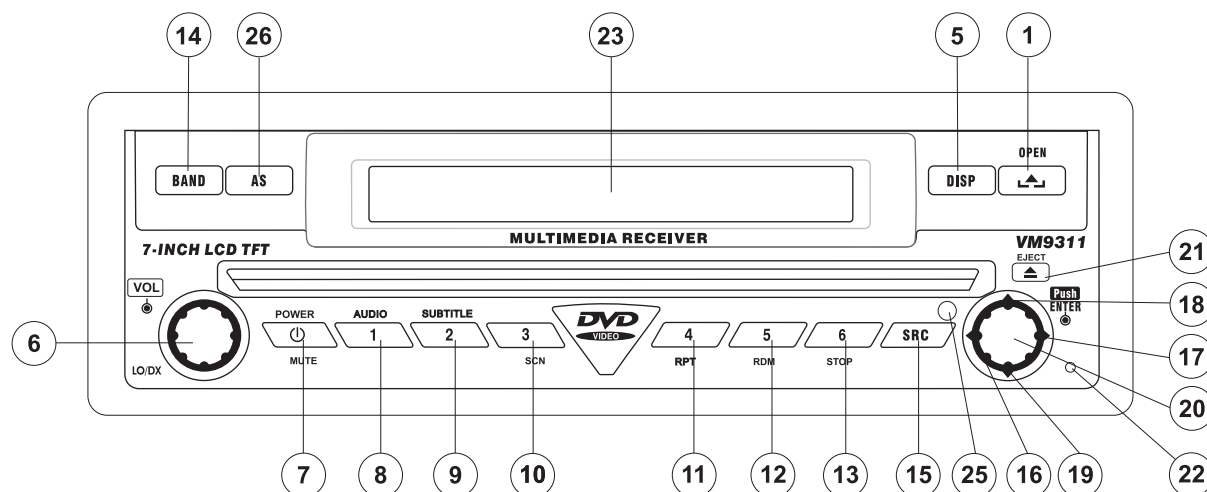
Mode DVD : Appuyez une fois pour entrer le chapitre ou la piste prochaines.

Mode Tuner : Appuyez une fois pour lancer la recherche automatique pour la station de radio disponible prochaine.

Mode Menu : Appuyez une fois pour déplacer le curseur à droite.

18. (▲)

Mode DVD : Appuyez une fois pour avance rapide.



Mode Tuner : Appuyez pour avance d'une fréquence.

Mode Menu : Appuyez une fois pour déplacer le curseur vers le haut.

19. (▼)

Mode DVD : Appuyez une fois pour avance lente.

Mode Tuner : Appuyez pour reculer d'une fréquence.

Mode Menu : Appuyez une fois pour déplacer le curseur vers le bas.

20. PLAY/ENTER

Mode DVD : Appuyez une fois pour commencer la reproduction.

Appuyez une fois pour confirmer une sélection.

21. (▲)

Appuyez une fois pour l'insertion/l'éjection d'un disque.

Appuyez et maintenez l'appui pour réinitialiser la position du mécanisme du cœur.

22. RESET

Appuyez pour réinitialiser les réglages du système aux réglages d'usine par défaut (sauf le mot de passe et le réglage de verrouillage parental).

23. Affichage aux cristaux liquides

24. Affichage TFT

25. Ampli-sintoniseur télécommande IR

26. AS (Auto Store)

Appuyez pour stocker automatiquement des stations de radio fortes dans les six chaînes pré-réglées dans la bande courante.

CONTROLES ET INDICATEURS

Affichage/indicateurs LCD

1. Indicateur du disque

S'illumine lorsqu'un disque est chargé.

2. Indicateurs de reproduction DVD (SCN/RPT/RDM/ALL)

Les indicateurs de reproduction DVD suivants s'illuminent lorsque la fonction correspondante est active.

- SCN : Balayage de reproduction
- RPT : Répétition de la reproduction
- RDM : Reproduction au hasard
- ALL : Reproduction de tous les chapitres

3. Indicateur d'intensité

L'indicateur d'intensité s'illumine lorsque la fonction LOUD est activée.

4. Affichage principal

L'affichage principal est un affichage aux cristaux liquides à 8 chiffre et 14 segments qui affiche le temps, la fréquence de syntonisation, et d'autres informations textuelles.

5. Affichage chaîne/disque

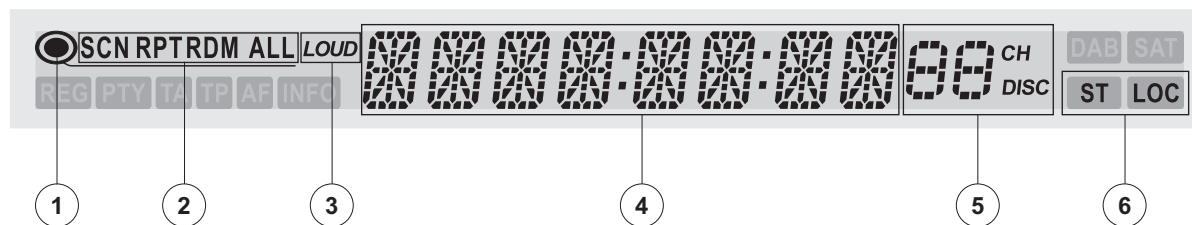
L'affichage chaîne/disque est un affichage aux cristaux liquides à 2 chiffres et 7 segments qui affiche les indicateurs du numéro du disque et de la chaîne de radio lorsque la fonction correspondante est active.

- CH : Radio est activée
- DISC : Mode DVD/CD est activé

6. Indicateur stéréo/local

L'indicateur stéréo/local illumine l'un des indicateurs suivants lorsque la fonction correspondante est active.

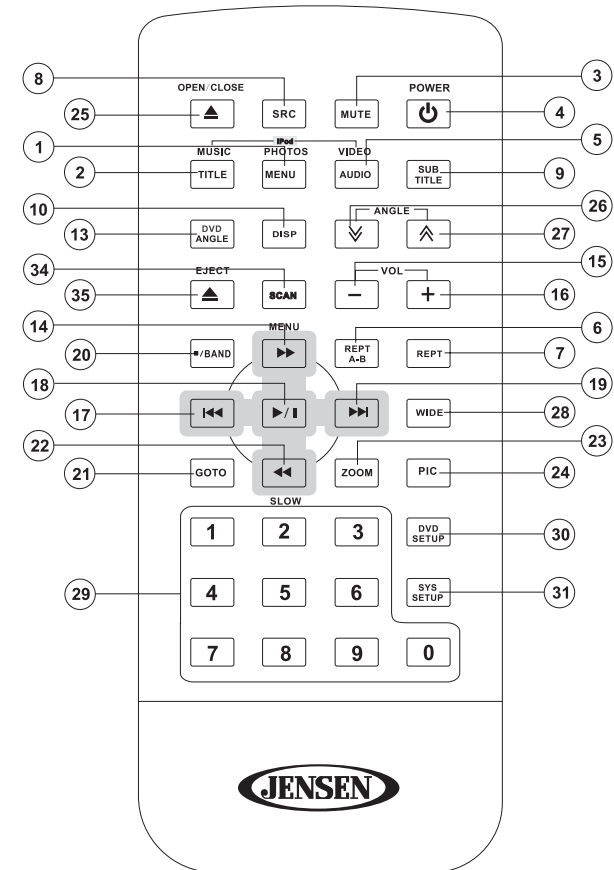
- ST : Radio est en mode stéréo
- LOC : La fonction de recherche d'une station de radio locale est activée



TELECOMMANDE

Table 1: Fonctions de télécommande

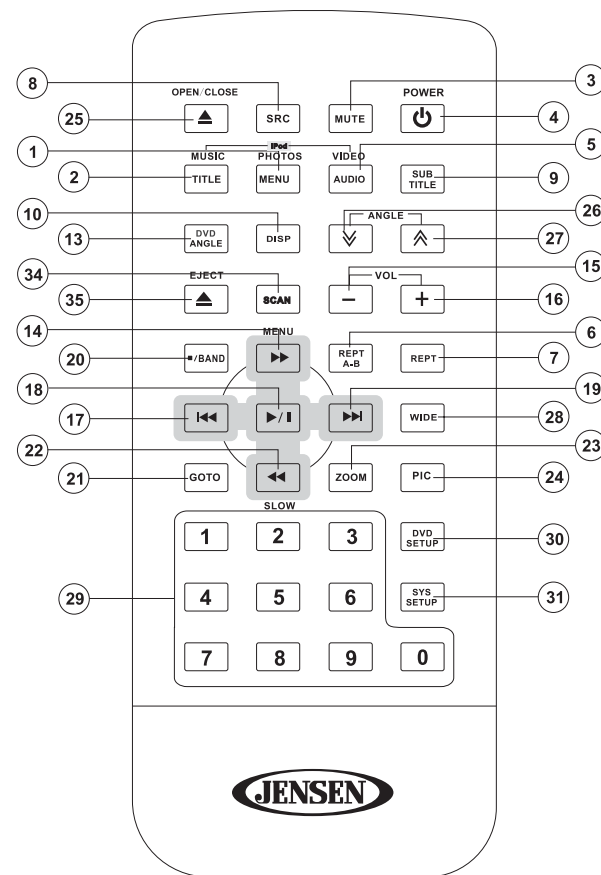
Bouton		Fonction					
Nom/Ref #	DVD	VCD	AM/FM	CD/MP3	XM	iPod	
MENU 1	Entre le menu principal du disque	Met en marche le PBC lorsque le VCD est en train de jouer			Affiche le menu de configuration XM	Sélectionne la mode photo	
TITLE 2	Entre dans le menu du disque	Joue les dix premières secondes de chaque chapitre/titre				Sélectionne la mode musique	
MUTE 3	Bascule la sortie audio en marche/en arrêt						
POWER 4	Met la puissance en marche/en arrêt						
AUDIO 5	Change la langue audio pour la reproduction du disque					Sélectionne la mode vidéo	
REPT A-B 6	Réglage pour répéter la reproduction du délai A jusqu'au délai B	Réglage pour répéter la reproduction du délai A jusqu'au délai B					
REPT 7	Répète la reproduction du chapitre courant	Répète la reproduction du chapitre courant		Répète la reproduction du chapitre courant	Sélectionne la catégorie Mode	Répète la reproduction de la piste courante	
SRC 8	Sélectionne la mode de reproduction						
SUBTITLE 9	Sélection de langue pour sous-titres						
DISP 10	Affiche l'information de reproduction						
ANGLE 13	Reproduit le disque d'un angle différent pour une scène	Reproduit l'image CD avec l'image affiché d'un angle différent					
▶▶ 14	Avance rapide du contenu du disque	Avance rapide du contenu du disque	Avance rapide du contenu du disque	Avance rapide du contenu du disque		Accède au menu iPod	
VOL - 15	Rabaisse le volume						
VOL + 16	Augmente le volume						
◀◀ 17	Sélectionne le chapitre précédent pour reproduction	Sélectionne le chapitre précédent pour reproduction	Cherche une station de radio disponible en abaissant la fréquence de syntonisation	Sélectionne le chapitre précédent pour reproduction	Cherche une station de radio disponible en diminuant la fréquence de syntonisation	Fait pause pendant la reproduction/comme la reproduction	
▶/II 18	Fait pause pendant reproduction/commence la reproduction	Fait pause pendant reproduction/commence la reproduction	Balaye les stations de radio AM/FM, joue et met en mémoire les stations de radio, efface les stations de radio	Fait pause pendant reproduction/commence la reproduction	Balaye les stations de radio XM/ joue/stocke les stations de radio/ efface les stations de radio		



A NOTER : Votre télécommande peut différer légèrement de celle décrite ici. Le diagramme ci-dessus est pour des buts d'illustration seulement.

Table 1: Fonctions de télécommande

Bouton		Fonction					
Nom/Ref #	DVD	VCD	AM/FM	CD/MP3	XM	iPod	
19	Sélectionne le prochain chapitre pour reproduction	Sélectionne le prochain chapitre pour reproduction	Cherche une station de radio disponible en augmentant la fréquence de syntonisation	Sélectionne le prochain chapitre pour reproduction	Cherche une station de radio XM disponible en augmentant la fréquence de syntonisation	Sélectionne le prochain chapitre pour reproduction	
/ BAND 20	Arrête la reproduction	Arrête la reproduction	Sélectionne la bande AM/FM	Arrête la reproduction	Sélectionne la bande XM, XM1; XM2 ou XM3		
GOTO 21	Va au délai spécifique et reproduction	Va au délai spécifique et reproduction					
22	Reproduction ralentie/recul ralenti de la reproduction	Reproduction ralentie/recul ralenti de la reproduction					
ZOOM 23	Fait un zoom sur/arrière l'image	Fait un zoom sur/arrière l'image					
PIC 24	Affiche les paramètres de configuration	Affiche les paramètres de configuration					
OPEN/CLOSE 25	Ouvre/Ferme le moniteur TFT						
26	Rabaisse l'angle de l'inclination du moniteur						
27	Augmente l'angle de l'inclination du moniteur						
WIDE 28	Sélectionne la mode d'affichage: CINEMA, NORMAL ou OFF	Sélectionne la mode d'affichage: CINEMA, NORMAL ou OFF	Sélectionne la mode d'affichage: CINEMA ou OFF	Sélectionne la mode d'affichage: CINEMA, NORMAL ou OFF	Sélectionne la mode d'affichage: CINEMA ou OFF	Sélectionne la mode d'affichage: CINEMA ou OFF	
0, 1, 2, 3, 4, 5, 6, 7, 8, 9, 0 (Numeric Keypad) 29	Accède directement au chapitre		1-6 sélectionne pré-réglé pour la bande courante	Accède directement au piste	1-6 Sélectionne les pré-réglés pour la bande courante		
DVD SETUP 30	Accède au menu configuration DVD						
SYS SETUP 31	Accède au menu configuration système						
SCAN 34				Joue les dix premières secondes de chaque piste			
EJECT 35	Ejecte le disque						



A NOTER : Votre télécommande peut différer légèrement de celle décrite ici. Le diagramme ci-dessus est pour des buts d'illustration seulement.

UTILISATION DE MONITEUR TFT

Ouvrir/fermer le moniteur TFT

Appuyez sur le bouton **OPEN** (1) sur le panneau d'avant ou appuyez sur le bouton (▲) (25) sur la télécommande zone d'avant pour activer le mécanisme qui déplace le panneau d'affichage à une position de visionnement.

Appuyez sur le bouton **OPEN** (1) sur le panneau d'avant ou appuyez sur le bouton (▲) (25) sur la télécommande zone d'avant pour charger le panneau d'affichage dans le compartiment.

Ouverture automatique du moniteur TFT

Si « TFT Auto Open » est en marche lorsque l'appareil est en marche, le moniteur se déplace automatiquement vers une position de visionnement.

Si « TFT Auto Open » est en arrêt lorsque l'appareil est en marche, appuyez sur le bouton **OPEN** (1) ou sur le bouton (▲) (25) sur la télécommande zone d'avant pour déplacer le moniteur vers une position de visionnement.

Si « TFT Auto Open » est réglée à « Manual », le TFT ne se fermera pas lorsque la clé est éteinte.

Ajustement d'angle d'inclination du moniteur

Un caractère très connu des panneaux d'affichage aux cristaux liquides est la qualité de l'affichage par rapport à l'angle de visionnement. L'angle du moniteur peut être ajusté pour un visionnement optimal en utilisant l'une des méthodes suivantes :

Ajustement d'angle étape par étape

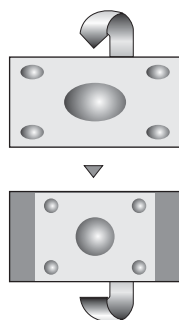
Appuyez sur les boutons (▲) ou (▼) (3,4) sur le cadre du moniteur pour ajuster l'angle d'inclination de l'écran une étape à la fois.

Ajustement d'angle continu

Appuyez et maintenez l'appui sur les boutons (▲) ou (▼) (3,4) sur le cadre du moniteur pour ajuster l'angle d'inclination d'une manière continue.

Rapport largeur/longueur

Appuyez sur le bouton **WIDE** (28) sur la télécommande ou le bouton **WIDE/PICTURE** sur le moniteur pour ajuster le rapport largeur/longueur comme suit :



CINEMA (PLEIN)

L'écran entier est étendu dans le sens horizontal dans un rapport largeur longueur de 16 à 9. Le rapport d'extension est le même à n'importe quel point.

NORMAL

L'affichage de l'image conventionnel a un rapport de 4 à 3 d'horizontal à vertical laissant des zones blanches à droite et à gauche de l'écran.

OFF

Réglage d'image

Table 2 montre la mode de sortie vidéo pour chaque source de reproduction.

Table 2: Modes de sortie vidéo

Source de reproduction	Format de sortie vidéo
AM/FM TUNER	Mode YUV
XM TUNER	Mode YUV
iPod	Mode YUV
DVD	Mode YUV
AUX IN	Mode CVBS

*CVBS - signalement composite vidéo d'antenne de base

Procédure pour ajustement des paramètres

- Entrez la mode de réglage de la qualité de l'image :**
Appuyez sur le bouton **PIC** (24) sur la télécommande ou appuyez et maintenez l'appui sur le bouton **WIDE/PICTURE** (2) sur le panneau du moniteur.
- Sélectionner l'article à régler :**
Appuyez sur les boutons (>>) (<<) (22, 14) sur la télécommande ou appuyez sur les boutons (Λ) ou (V) (18, 19) sur le panneau du moniteur.
- Réglez les paramètres :**
Appuyez sur les boutons (|<<) (>>|) (17, 19) sur la télécommande ou appuyez sur les boutons (<) (>) (16, 17) sur le panneau du moniteur.
- Sortir de la mode de réglage de la qualité de l'image :**
Appuyez sur le bouton **PIC** (24) sur la télécommande ou appuyez et maintenez l'appui sur le bouton **WIDE/PICTURE** (2) sur le panneau du moniteur.

Freins de parking

Inhiber freins de parking

Lorsque le fil Parking rose est branché à l'interrupteur des freins du véhicule, le moniteur TFT d'avant n'affichera du vidéo que lorsque la séquence des freins de parking est engagée. Avant de commencer la séquence des freins de parking, la radio doit être en marche avec un disque de média vidéo inséré et en jeu.

Séquence des freins de parking

Il y a deux situations qui peuvent démarrer la séquence des freins de parking :

- Les freins de parkings sont engagés lorsque le véhicule est allumé ou l'accessoire/commutateur d'allumage est en

marche. Pour activer la vidéo la séquence suivante d'événements doit être terminée :

- Relâchez le frein de parking pendant 2 secondes.
 - Rappliquez le frein de parking pendant 2 secondes.
 - Du vidéo doit être affiché sur le moniteur TFT dans 1-2 secondes.
- Les freins de parkings sont désengagés lorsque le véhicule est allumé ou l'accessoire/commutateur d'allumage est en marche. Pour activer la vidéo la séquence suivante d'événements doit être terminée.
 - Réglez le frein de parking pendant 2 secondes.
 - Relâchez le frein de parking pendant 2 secondes.
 - Rappliquez le frein de parking.
 - Du vidéo doit être affiché sur le moniteur TFT dans 1-2 secondes.

Mécanisme du mouvement du moniteur

S'il y a un obstacle dans le chemin du moniteur, les mesures de protection suivantes peuvent être exécutées pour empêcher d'endommager le mécanisme ou le moniteur :

Table 3: Mesures de protection du moniteur

Obstacle	Protection de soi	Le bouton OPEN est appuyé	Puissance rebranchée
Moniteur se charge horizontalement	Moniteur se charge automatiquement dans l'appareil	Moniteur s'étend horizontalement	Le moniteur se charge automatiquement dans l'appareil
Moniteur se décharge horizontalement	L'appareil s'arrête au point d'obstruction	Le moniteur s'étend horizontalement	Moniteur se charge automatiquement dans l'appareil
Moniteur se décharge verticalement	L'appareil s'arrête au point d'obstruction	Le moniteur se pivote dans l'appareil	Le moniteur se pivote tout seul dans l'appareil
Le moniteur se charge verticalement	L'appareil s'arrête au point d'obstruction	Le moniteur se pivote dans l'appareil	Le moniteur se pivote dans l'appareil

Après que la mesure de protection est exécutée, l'opération normale est reprise en appuyant sur le bouton **OPEN** (1) ou en débranchant et rebranchant la puissance.

INSTRUCTIONS D'OPERATION

Puissance en marche/en arrêt

Appuyez sur le bouton **⊕/MUTE** (1) pour mettre l'appareil en marche. Les boutons sur le devant de l'appareil s'illuminent et WELCOME apparaît brièvement sur le panneau d'affichage aux cristaux liquides (24) suivi par le statut de mode courante. Si l'écran TFT est ouvert, seulement le statut de mode courante est affiché.

Appuyez et maintenez l'appui sur le bouton **⊕/MUTE** (1) sur le panneau d'avant ou le bouton **POWER** (4) sur la télécommande pour désalimenter l'appareil. Le moniteur est retiré vers le compartiment principal et l'écran d'affichage aux cristaux liquides affiche « BYE BYE ».

Confirmation du bip sonore

Un bip sonore confirme la sélection de chaque fonction. Le bip sonore ne peut pas être désactivé.

Muet

Appuyez sur le bouton **⊕/MUTE** (1) sur le panneau d'avant ou sur le bouton **MUTE** (3) sur la télécommande pour assourdir le volume de l'appareil. Appuyez de nouveau sur le bouton **MUTE** pour rétablir le volume. MUTE est affiché sur le moniteur de l'affichage aux cristaux liquides. Ajustement du volume ou l'utilisation des fonctions configuration audio va annuler la fonction muet.

Sélection de la source de reproduction

Appuyez sur le bouton **SRC** (18) sur le panneau d'avant ou sur le bouton **SRC** (8) sur la télécommande pour changer entre les sources de reproduction disponible dans l'ordre suivant : Tuner, DVD/CD, XM, iPod, Aux in, Caméra (caméra vidéo à vue arrière) et TV. La mode de reproduction sera affichée sur l'écran TFT ou l'affichage aux cristaux liquides.

Mode Aux In

Un engin externe périphérique peut être branché à cet appareil à travers les connecteurs RCA standardisés pour vidéo et audio droite/gauche.

Ajustement du volume

Pour augmenter ou diminuer le volume, tournez l'enclumeur à rotation (6) sur le panneau d'avant ou appuyez sur les boutons **VOL+ /VOL-** (15, 16) sur la télécommande. Lorsque le volume atteint 0 ou 40, il y a un bip sonore qui indique que la limite de l'ajustement a été atteinte. Le volume va de 0 à 40. L'écran TFT ou l'affichage aux cristaux liquides affiche le niveau de volume pendant 3 secondes.

Volume temps de fermeture programmable

Cette fonction permet à l'utilisateur de sélectionner un réglage de volume temps de fermeture peu importe le réglage de volume avant la mise en arrêt de l'appareil. Pour programmer un niveau de volume spécifique, appuyez et maintenez l'appui sur le bouton **AUDIO** (2) lorsque la barre

de volume jaune est affichée sur l'écran. L'appareil va bipé deux fois pour confirmer votre réglage de volume temps de fermeture.

Menu contrôle d'audio

La fonction contrôle d'audio vous permet d'ajuster facilement votre système audio pour satisfaire aux caractéristiques acoustiques de votre véhicule qui dépend du type de véhicule et ses dimensions. Pour obtenir la meilleure qualité de son de votre système, soyez sûrs d'ajuster les réglages pour les haut parleurs aussi. Le bon réglage de l'égaliseur et la balance augmente les effets de l'égaliseur de cabine.

Accéder au Menu Contrôle d'audio

Appuyez sur le bouton **VOL/LOC/DX** (6) sur le panneau d'avant pour afficher le menu « AUDIO ».

Sélection d'une fonction AUDIO pour ajustement

Appuyez de manière continue sur le bouton **VOL/LOC/DX** (6) sur le panneau d'avant ou sur les boutons (**>>**)/(**<<**) (22, 14) sur la télécommande ou sur les boutons (**⏏**)/(**⏏**) (18, 19) sur la manette pour sélectionner une fonction audio à être ajustée.

Ajustement d'une fonction audio

Faites tourner le bouton **VOL/LOC/DX** (6), appuyez sur les boutons (**⏏**)/(**>>**) buttons (17, 19) sur la télécommande, ou appuyez sur les boutons (**<**)/(**>**) (16, 17) sur la manette pour ajuster la fonction sélectionnée au réglage désiré

Table 4: Ajustements Audio

Fonction Audio	Ajustements
EQ	User
	Flat
	Jazz
	Pop
	Classical
	Rock
	Vocal
Bass (Basse)	-14 à +14
Treble (Aigu)	-14 à +14
Fader (Equilibreur)	-7 à +7
Balance	-9 à +9
Sub	-9 à +9
Loud (Intensité)	Off (Arrêt), 1-4

A NOTER : Les niveaux d'aigu et de basse ne sont ajustables que lorsque le EQ est réglé à la mode Utilisateur.

Intensité

Le niveau/Fonction Intensité dépend du réglage de volume principal. Au fur et à mesure que l'intensité est augmentée moins de compensation audio est appliquée au signal audio. Ceci est connu sous le nom d'Intensité Automatique. Les réglages d'intensité possibles sont comme suit :

- Off (Arrêt)
- 1 - Légère augmentation de basse à un niveau de volume bas
- 2 - Augmentation de basse modérée à un niveau de volume bas
- 3 - Une bonne augmentation de basse à un niveau bas à moyen du volume
- 4 - Augmentation maximum de basse à un niveau moyen du volume.

Sortir du menu contrôle d'audio

Appuyez et maintenez l'appui sur le bouton **VOL/LOC/DX** (6) ou arrêtez de faire des ajustements pendant quelques secondes pour sortir du menu contrôle d'audio.

Réinitialisation du système

Pour corriger un halte du système ou d'autres opérations illégales, utilisez le bout d'un stylo pour appuyer sur le bouton **RESET** (22) situé au coin droite en bas à l'avant de l'appareil. Après la réinitialisation du système, l'appareil rétablit tous les réglages d'usine par défaut.



A NOTER : Si le système est réinitialisé lorsqu'un DVD est en train de jouer, le DVD reprend lorsque la réinitialisation est terminée.

Muet de ligne

Si le câble MUTE est branché, la sortie audio s'assourdit lorsqu'un appel téléphonique est reçu pour le téléphone de voiture ou lorsque la navigation verbale est en cours (une entrée de navigation externe est exigée).

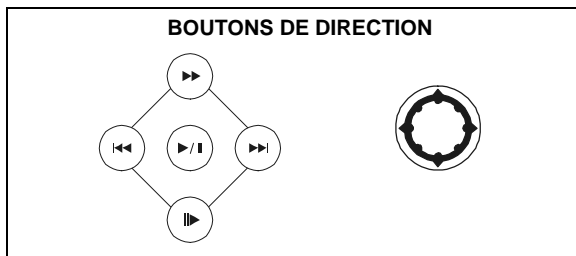
MENU CONFIGURATION SYSTEME

Dans la mode configuration système, « ASP CONFIG » et « GENERAL SETUP » sont disponibles pour ajustement. La configuration peut être exécutée en appuyant sur les boutons dédiés sur la télécommande ou sur le panneau d'avant. Pour les réglages du système appuyez sur le bouton **CONFIGURATION SYS** (31) sur la télécommande pour entrer dans le menu « System Setup ». « ASP CONFIG » est surligné en vert.

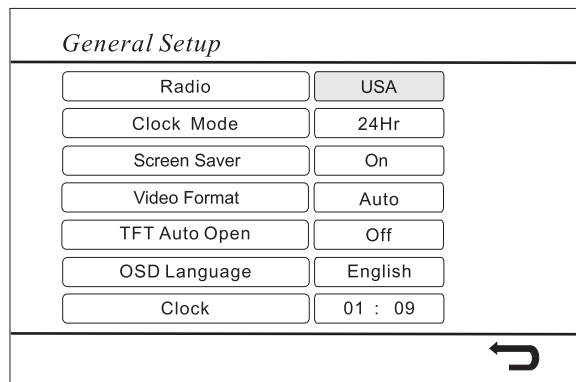
Menu configuration générale

Accéder au menu configuration générale

Pour accéder au menu « GENERAL SETUP » appuyez sur les boutons de direction sur la manette (16, 17, 18, 19) ou sur la télécommande (14, 17, 18, 19, 22) pour surligner « GENERAL SETUP » en vert.



Appuyez sur le bouton >||| (18) sur la télécommande pour entrer dans le menu « GENERAL SETUP ». Un menu apparaît avec l'option pour le premier article « Radio » surligné en bleu.



Sélectionner une fonction pour ajustement

Appuyez sur les boutons (<<) (>>) (22, 14) sur la télécommande ou sur les boutons (A) (V) (18, 19) sur la manette pour sélectionner la fonction à être ajustée.

Ajuster une fonction

1. Entrer le champ d'option pour la fonction que vous voulez ajuster en appuyant sur le bouton >||| (18) sur la télécommande ou en appuyant sur le bouton **ENTER** (manette) (20) sur l'appareil. Un sous-menu apparaît dans le deuxième rang avec l'option sélectionnée surlignée en bleu.
2. Sélectionnez une nouvelle valeur en appuyant sur les boutons >> ou << (14, 22) sur la télécommande ou les boutons A ou V (18, 19) sur la manette.
3. Confirmez votre sélection en appuyant sur les boutons <<, |<<, ou >>| (22, 17, 19) sur la télécommande ou sur les boutons < ou > (16, 17) sur la manette. La nouvelle valeur est surlignée en bleu et la configuration est terminée.

Table 5: Fonctions menu configuration générale

Réglage	Options	Fonction
Radio	USA	<ul style="list-style-type: none"> • AM Frequency Spacing - 10kHz • AM Frequency Band - 530kHz~1720kHz • FM Frequency Spacing - 200kHz • FM Frequency Band - 87.5MHz~107.9MHz
	Europe	<ul style="list-style-type: none"> • AM Frequency Spacing - 9kHz • AM Frequency Band - 522kHz~1620kHz • FM Frequency Spacing - 50kHz • FM Frequency Band - 87.5MHz~108.0MHz
	South America 1	<ul style="list-style-type: none"> • AM Frequency Spacing - 10kHz • AM Frequency Band - 530kHz~1720kHz • FM Frequency Spacing - 100kHz • FM Frequency Band - 87.5MHz~108.0MHz
	South America 2	<ul style="list-style-type: none"> • AM Frequency Spacing - 5kHz • AM Frequency Band - 520kHz~1600kHz • FM Frequency Spacing - 100kHz • FM Frequency Band - 87.5MHz~108.0MHz
	Arabia	<ul style="list-style-type: none"> • AM Frequency Spacing - 9kHz • AM Frequency Band - 531kHz~1620kHz • FM Frequency Spacing - 100kHz • FM Frequency Band - 87.5MHz~108.0MHz
	Korea	<ul style="list-style-type: none"> • AM Frequency Spacing - 9kHz • AM Frequency Band - 531kHz~1602kHz • FM Frequency Spacing - 200kHz • FM Frequency Band - 88.1MHz~107.9MHz

Table 5: Fonctions menu configuration générale

Réglage	Options	Fonction
	China	<ul style="list-style-type: none"> • AM Frequency Spacing - 9kHz • AM Frequency Band - 522kHz~1620kHz • FM Frequency Spacing - 100kHz • FM Frequency Band - 87.5MHz~108.0MHz
Clock Mode (Mode horloge)	12H	L'horloge montre le temps à 12 heures en utilisant le système AM et PM
	24H	L'horloge montre l'heure à 24 heures jusqu'à 23:59.
Screen Saver (Economiseur d'écran)	On	Met l'économiseur d'écran en marche et en arrêt.
	Off	
Format vidéo (La circuiterie d'entrée détecte automatiquement le signal vidéo de la CAMERA et d'une source vidéo Aux In. Le format vidéo n'affecte pas le tuner TV - c'est un tuner TV NSTC uniquement)	Auto	La sortie signal couleur est allumée automatiquement base sur le signal d'entrée de video courante - NTSC ou PAL.
	NTSC	Les signaux couleur sont sortis dans le format standardize NTSC.
	PAL	Les signaux couleur sont sorties dans le format standardize PAL.
TFT Auto Open (TFT Ouverture Automatique)	On	Le panneau TFT s'ouvre automatiquement lorsque l'appareil est mis en marche.
	Off	Vous devez appuyer sur le bouton OPEN (1) pour ouvrir le panneau TFT.
	Manual	Lorsque le commutateur d'allumage est éteint, le panneau TFT ne se retire pas s'il était dehors avant.
OSD Language	English	Les menus ne sont affichés qu'en anglais.
Clock	(HH:MM)	Voir « Ajustement de l'horloge » pour apprendre comment régler l'horloge.
		Retour au menu précédent

Ajuster l'horloge

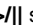
Méthode 1 L'écran TFT s'ouvre

1. Accéder au réglage Horloge sous le menu Configuration Générale.
2. Appuyez sur les boutons >> ou << (14, 22) sur la télécommande ou les boutons **Λ** ou **V** (18, 19) sur la manette pour déplacer le curseur jusqu'à la position Heure ou Minutes.
3. Appuyez sur les boutons |<< ou >>| (17, 19) sur la télécommande ou les boutons < ou > (16, 17) sur la manette pour ajuster les heures ou les minutes.
4. Appuyez sur le bouton << (22) sur la télécommande pour confirmer la configuration.

Méthode 2 - Ecran TFT fermé

1. Appuyez et maintenez le bouton **DISP** (5) jusqu'à ce que l'horloge clignote sur le panneau d'affichage aux cristaux liquides.
2. Appuyez sur les boutons **Λ** ou **V** (18, 19) sur la manette pour déplacer le curseur à la position Heures ou Minutes.
3. Appuyez sur les boutons < ou > (16, 17) sur la manette pour ajuster les heures ou les minutes.
4. Appuyez sur le bouton **DISP** (5) sur l'appareil pour confirmer la configuration.

Retour au menu configuration système


Pour retourner au menu configuration système allez au symbole retour , et puis appuyez sur le bouton >|| (18) sur la télécommande.

Menu configuration ASP (traitement de son audio)

Le menu de configuration ASP vous permet de faire des ajustements audio fins.

Accéder au menu de configuration ASP

5. Pour accéder au menu « ASP CONFIG » appuyez sur les boutons de direction sur la manette (16, 17, 18, 19) ou sur la télécommande (14, 17, 18, 19, 22) pour surligner ASP CONFIG en vert. Appuyez sur le bouton >|| (18) sur la télécommande pour entrer dans le menu ASP CONFIG. Un menu apparaît avec l'option pour le premier article « Bass Center Freq » surligné en bleu.

<i>ASP Config</i>	
Bass Center Freq	200HZ
Treble Center Freq	17KHZ
Sub Filter	120KHZ
Sub Phase	0D
Bass Q-Factor	1.25
	


Ajuster une fonction

1. Entrer le champ d'option pour la fonction que vous voulez ajuster en appuyant sur le bouton >|| (18) sur la télécommande ou le bouton **ENTER** (manette) (20) sur l'appareil. Un sous-menu apparaît dans le deuxième rang avec l'option sélectionnée surlignée en bleu.
2. Sélectionnez une nouvelle valeur en appuyant sur les boutons >> ou << (22, 14) sur la télécommande ou les boutons **Λ** ou **V** (18, 19) sur la manette.
3. Confirmez votre sélection en appuyant sur les boutons <<, |<< ou >>| (22, 17, 19) sur la télécommande ou les boutons < ou > (16, 17) sur la manette. La nouvelle valeur est surlignée en bleu et la configuration est terminée.

Table 6: Fonction du menu configuration ASP

Réglages	Options	Fonction
Bass Center Frequency (Fréquence Basse Centre)	60Hz	Selon la source audio, sélectionnez la fréquence basse centre pour réaliser le meilleur effet basse.
	80Hz	
	100Hz	
	130Hz	
	150Hz	
	200Hz	
Treble Center Frequency (Fréquence Aigu Centre)	10KHz	Selon la source audio sélectionnez la fréquence aigu centre pour réaliser le meilleur effet aigu.
	12.5KHz	
	15KHz	
	17KHz	

Table 6: Fonction du menu configuration ASP

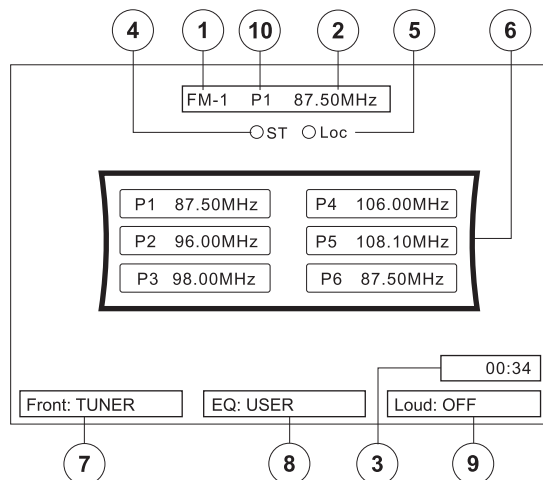
Réglages	Options	Fonction
Sub Filter (Filtre caisson de basse)	80Hz	Sélectionner une fréquence de recouvrement règle une fréquence de coupure pour le LPF (filtre à passe bas) et le HPF (filtre à passe haut) pour les haut-parleurs SMALL. La fréquence de recouvrement n'a aucun effet si le caisson de basse est réglé à En arrêt, et si n'importe quel autre haut parleur est réglé à LARGE.
	120Hz	
	160Hz	
Sub Phase (Phase caisson de basse)	0D	Sortie caisson de basse est en phase.
	180D	Sortie caisson de basse discordance de phases. <i>A NOTER : En fonction de votre installation, reversant la phase caisson de basse peut augmenter la sortie basse.</i>
Bass Q-Factor (Q Facteur Basse)	1.0	Lorsque la fréquence basse centre est sélectionnée, ajustement 1.25d'O Facteur de Basse peut changer la finesse de la sortie basse.
	1.25	
	1.5	
	2.0	
		Retour au menu précédent

Sortir du menu configuration système

Pour sortir de la mode configuration et reprendre la reproduction normale, appuyez sur le bouton **SYS SETUP** (31) sur la télécommande ou le bouton **DISP** (5) sur le panneau d'avant.

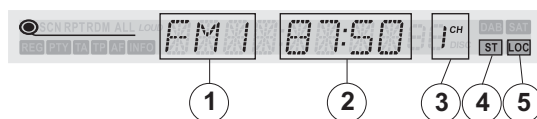
OPERATION TUNER AM/FM

Affichage tuner TFT



1. Indicateur de la bande radio courante
2. Indicateur de fréquence radio
3. Horloge
4. Indicateur de transmission en stéréo
5. Indicateur local
6. Stations de radio pré-réglées
7. Mode de reproduction
8. Niveau d'égaliseur défini par l'utilisateur
9. Indicateur de réglage d'intensité
10. Indicateur de la station pré-réglée courante

Affichage aux cristaux liquides tuner



1. Indicateur de la bande radio courante
2. Indicateur de fréquence radio
3. Indicateur de station pré-réglée courante
4. Indicateur de transmission en stéréo
5. Indicateur de transmission locale forte

Changer à la source tuner radio

Appuyez sur le bouton **SRC** (15) sur le panneau d'avant ou sur la télécommande (8) pour changer à la source RADIO

TUNER. Le TFT Tuner ou l'affichage aux cristaux liquides apparaît.

Sélectionner la bande AM/FM

Appuyez sur le bouton **BAND** (14) sur le panneau d'avant ou sur la télécommande (20) pour changer entre les bandes suivantes : FM1, FM2, FM3, AM1 et AM2.

Rechercher la syntonisation

Appuyez sur le bouton **>>|** (19) sur la télécommande ou le bouton **>** sur la manette pour chercher la prochaine station supérieure.

Appuyez sur le bouton **|<<** (17) sur la télécommande ou sur le bouton **<** (16) sur la manette pour chercher la prochaine station inférieure.

Syntonisation à la main

Appuyez sur les boutons **Λ** ou **V** (18, 19) sur la manette pour augmenter ou diminuer la fréquence de syntonisation par une étape.

Utilisation des stations pré-réglées

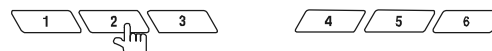
Six boutons de pré-réglage numérotés stockent et rappellent des stations pour chaque bande. Toutes les six stations stockées (P1-P6) pour la bande courante apparaissent sur l'écran TFT.

Stockage d'une station

1. Sélectionnez une bande (si nécessaire) et puis sélectionnez une station.
2. Maintenez l'appui sur un bouton de pré-réglage (8-13) pendant trois secondes. Le numéro pré-réglé apparaît sur l'affichage aux cristaux liquides.

Rappel d'une station

1. Sélectionnez une bande (si nécessaire).
2. Appuyez sur un bouton de pré-réglage (8-13) pour sélectionner la station stockée correspondante.



Auto stockage (AS)

Pour sélectionner six stations fortes et les stocker dans la bande courante.

1. Sélectionner une bande (si nécessaire).
2. Appuyez sur le bouton **AS** (26) sur l'appareil pour activer la fonction Auto Stockage.

Les nouvelles stations remplacent les stations déjà stockées dans cette bande.

Recherche station de radio locale (LOC)

Lorsque la fonction locale est en marche, seulement des stations de radio avec un signal de radio forte seront jouées. Pour activer la fonction locale, appuyez et maintenez l'appui sur le bouton **LO/DX** (6) sur le panneau d'avant lorsque la barre de volume jaune n'est pas affichée. Appuyez et maintenez l'appui sur le bouton **LO/DX** pour mettre la fonction locale en arrêt. Lorsque la fonction locale est active, l'indicateur LOC apparaît illuminé sur l'écran TFT ou l'affichage aux cristaux liquides.

OPERATION VIDEO DVD/VCD

A NOTER : Lorsqu'il est bien installé, le vidéo DVD ne peut pas être affiché sur l'écran TFT principal à moins que les freins de parking soient appliqués. Si vous essayez de jouer un DVD lorsque le véhicule est en motion, l'écran TFT affiche « PARKING » avec un arrière-fonds en bleu. Les écrans de vidéo à l'arrière, si applicables, opéreront normalement.

Ouvrir/Fermer l'écran vidéo TFT

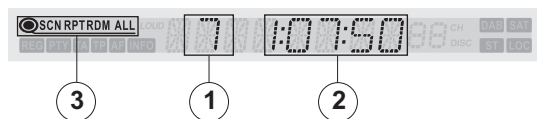
Ouvrir l'écran TFT

Pour ouvrir l'écran vidéo TFT, appuyez sur le bouton **OPEN** (1). L'appareil fait bip et s'ouvre.

Fermer l'écran TFT

Appuyez de nouveau sur le bouton **OPEN** (1) pour fermer l'écran TFT. Si l'écran est en position IN, il se déplace vers le dehors avant de fermer. Lorsque l'écran TFT est fermé, le panneau d'affichage aux cristaux liquides affiche le statut courant.

Affichage aux cristaux liquides DVD



1. Chapitre de reproduction courante
2. Temps de reproduction courant
3. SC - Balaye la reproduction, RPT - Répète la reproduction, RDM - Reproduit au hasard, TOUT - Reproduit tous les disques.

Insérer un disque

Lorsque vous insérez un disque DVD, vous entrez dans la mode DVD et la reproduction du disque commence. Si l'écran TFT est fermé, l'indicateur DVD apparaît illuminé sur l'écran d'affichage aux cristaux liquides.

A NOTER : Si la verrouille parentale (classement) est activée et le disque inséré n'est pas autorisé, le code à 4 chiffres doit être entré et/ou le disque doit être autorisé (Voir « Menu classement (verrouille parental) » à la page 75.).

Vous ne pouvez pas insérer un disque si un disque est déjà chargé dans l'appareil.

A NOTER : DVD-R et DVD-RW ne joueront pas à moins que la séance d'enregistrement soit fermée et le DVD soit finalisé.

Ejection d'un disque

Appuyez sur le bouton **▲** (21) sur le panneau d'avant ou sur la télécommande (25) pour éjecter le disque. L'appareil revient automatiquement à la mode Tuner.

Cet appareil est équipé d'un système d'éjection du disque sans clé, vous permettant d'éjecter un disque lorsque la puissance est en arrêt. L'appareil reste en arrêt après l'éjection du disque.

Réinitialiser le mécanisme de chargement

Si le disque est chargé d'une manière anormale ou si une opération mécanisme de cœur anormale advient, appuyez et maintenez l'appui sur le bouton **▲** (21) sur le panneau d'avant ou sur la télécommande (25) pour réinitialiser le mécanisme de chargement. L'opération normale reprend.

Contrôler la reproduction

Arrêter la reproduction

Appuyez sur le bouton **6/STOP** (3) sur le panneau d'avant ou le bouton **■/BAND** (20) sur la télécommande pour arrêter la reproduction du DVD.

Pour reprendre la reproduction, appuyez sur le bouton manette **ENTER** (20) sur la télécommande (18).

Faire pause pendant la reproduction

Appuyez sur le bouton manette **ENTER** sur le panneau d'avant (20) ou sur le bouton **>||** sur la télécommande (18) pour suspendre ou reprendre la reproduction du disque.

La reproduction en ralenti

Appuyez sur le bouton **V** (19) pour jouer le titre courant en ralenti à ½, ¼, 1/6 ou 1/7 la vitesse normale. Appuyez sur le bouton **>||** (18) pour reprendre la reproduction normale.

Avance rapide

Appuyez sur le bouton **>>** (14) sur la télécommande ou sur le bouton **Λ** (18) de la manette pour faire une avance rapide. Continuez à appuyer sur et relâcher le bouton pour augmenter le taux de 2X, 4X, 8X et 20X.

Répétition la reproduction

Appuyez sur le bouton **4/REP** (11) sur le panneau d'avant ou le bouton **REPT** (7) sur la télécommande pour changer la mode de répétition selon le suivant :

- DVD : Répéter le titre, répéter le chapitre, répéter en arrêt

- VCD : Répéter simple, Répéter en arrêt.

A NOTER : Pour la reproduction du VCD, la fonction répétition n'est pas disponible lorsque le PBC est en marche.

Fonction de répétition par sections (A-B)

Utilisez la fonction A-B pour définir une région spécifique du disque à répéter

- Appuyez sur le bouton **REPT A-B** (6) sur la télécommande pour régler un point de démarrage (A) de la section à répéter.
- Appuyez de nouveau sur le bouton **REPT A-B** dès que vous atteignez le point final désiré (B) de la section à répéter. La partie sélectionnée du DVD va alors se répéter d'une manière continue.
- Appuyez de nouveau sur le bouton **REPT A-B** pour annuler le réglage de la section A-B et arrêter la reproduction répétée.

Reproduction au hasard

Lorsqu'un DVD, VCD ou CD est en train de jouer, appuyez sur le bouton **5/RDM** (12) sur le panneau d'avant ou le bouton **RDM** (33) sur la télécommande pour activer la reproduction au hasard et jouer tous les chapitres/pistes dans un ordre mélangé. « Shuffle On » apparaît sur l'écran. Appuyez sur le bouton **>>|** (19) sur la télécommande ou sur le bouton **>** sur la manette (17) pour jouer la prochaine piste au hasard.

Appuyez de nouveau sur le bouton **RDM** pour arrêter la reproduction au hasard. « Shuffle Off » apparaît sur l'écran.

A NOTER : Lorsqu'un VCD est en train de jouer avec le PBC en marche, activer la reproduction au hasard met automatiquement le PBC en arrêt.

Accéder au menu DVD

Appuyez sur le bouton **MENU** (1) sur la télécommande pour rappeler le menu DVD principal. Utilisez les boutons de directions (**<**, **>**, **Λ** et **V**) sur la manette (16, 17, 18, 19,) pour sélectionner un titre du menu.

Appuyez sur le bouton **TITLE** (2) sur la télécommande pour sélectionner un titre pour la reproduction.

Appuyez sur le bouton **>||** (18) sur la télécommande ou le bouton **ENTER** manette (20) pour confirmer votre sélection et commencer la reproduction.

Se déplacer à travers les chapitres

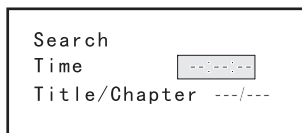
Appuyez sur le bouton >>| (19) sur la télécommande ou le bouton > sur la manette (17) pour avancer jusqu'au chapitre prochain du DVD.

Appuyez sur le bouton |<< sur la télécommande ou le bouton < sur la manette (16) pour aller au chapitre précédent.

Recherche allez à (GOTO)

Alors qu'un DVD ou un VCD est en train de jouer, exécuter les mesures suivantes pour utiliser la fonction GOTO (ALLEZ A) pour accéder à un site spécifique sur le disque.

1. Appuyez sur le bouton **GOTO** (21) sur la télécommande pour entrer dans la mode GOTO.
2. Appuyez sur les boutons >> ou << (14, 22) sur la télécommande ou les boutons **Λ** ou **V** sur la manette (18, 19) pour sélectionner une catégorie (surlignée en bleu).
 - En mode DVD, vous pouvez choisir une recherche par Temps ou par Titre/Chapitre.



Recherche DVD

Temps - Allez à un temps spécifique dans le titre courant

Titre/Chapitre - Allez à un temps spécifique dans le chapitre

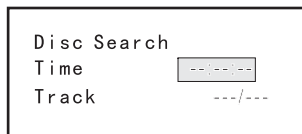
- Pour la mode VCD, appuyez sur le bouton **GOTO** pour choisir entre Recherche Piste et Recherche Disque.



VCD Recherche Piste

Temps - Allez à un temps spécifique dans la piste courante

Piste - Allez à la piste spécifique



VCD Recherche Disque

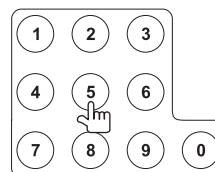
Temps - Allez à un temps spécifique sur le disque

Piste - Allez à la piste spécifique

3. Entrez une heure dans le champ en utilisant le pavé numérique (20) sur la télécommande.
4. Appuyez sur le bouton >|| (18) sur la télécommande ou le bouton **ENTER** sur la manette (20) pour aller au site spécifique sur le disque.
5. Appuyez de nouveau sur le bouton **GOTO** pour sortir.

Chapitre direct/sélection de piste

Pendant la reproduction d'un DVD, VCD, ou un CD, vous pouvez utiliser le pavé numérique sur la télécommande (20) pour accéder directement à la piste.



Visionner un angle de l'image alternatif (seulement DVD)

Certains DVDs contiennent des scènes qui ont été filmées simultanément des angles différents. Pour des disques enregistrés avec des angles multiples, appuyez sur le bouton **ANGLE** (13) sur la télécommande pour basculer entre des angles différents de l'image sur l'écran.

Zoom

Appuyez sur le bouton **ZOOM** (23) sur la télécommande pour élargir et faire un panoramique à travers l'image vidéo en utilisant les options suivantes : Q1, Q2, Q3 et En arrêt.

Disques multi-langues (Seulement DVD)

Changer la langue audio

Si vous regardez un disque enregistré en langues multiples, appuyez sur le bouton **AUDIO** (5) sur la télécommande pour choisir une langue.

Changer la langue de sous-titrage

Si vous regardez un disque enregistré en langues multiples avec des sous-titres, appuyez sur le bouton **SUBTITLE** (9) sur la télécommande pour choisir la langue dans laquelle vous voudriez que les sous-titres apparaissent.

A NOTER : Pendant la reproduction VCD, appuyez sur le bouton AUDIO (5) sur la télécommande pour choisir entre Chaîne Gauche, Chaîne Droite et Stéréo.

PBC (Contrôle de la reproduction) (Seulement VCD)

Pour des VCDs avec la fonctionnalité de reproduction, le contrôle de la reproduction (PBC) fournit des contrôles supplémentaires pour la reproduction VCD.

Appuyez sur le bouton **MENU** (1) sur la télécommande pour basculer la fonction PBC en marche/en arrêt. Dès que le PBC est en marche, la reproduction commence à partir de la première piste sur la liste de reproduction.

A NOTER : Lorsque le PBC est activé, avance rapide, reproduction en ralenti et la piste prochaine/précédente sont disponibles. Répétition et sélection directe de la piste ne sont pas disponibles.

Lorsque le PBC est activé, sélection de la reproduction au hasard, balayage ou recherche de la reproduction désactive le PBC.

Information de la reproduction

Pendant la reproduction DVD ou VCD, appuyez sur le bouton **DISP** (10) sur la télécommande pour afficher l'information sur la reproduction sur l'écran, y compris la média en jeu et le temps de la reproduction courante.

Information de reproduction DVD

L'information suivante est affichée en haut de l'écran alors qu'un DVD est en train de jouer.

DVD T : 5/8 C : 2/16 00:41:28 2/6 Eng

- T : 5/8 - « 5/8 » indique que le cinquième des huit titres sur le DVD est en train de jouer.
- C : 2/16 - « 2/16 » indique que le deuxième des 16 titres sur le DVD est en train de jouer.
- 00 :41 :26 - « 00 :41 :26 » indique le temps de reproduction du titre courant.
- 2 / 6 Eng - L'information de l'affichage de langue indique que la deuxième langue des 6 (English) est en train d'être utilisée.
- L'information suivante apparaît en bas de l'écran alors qu'un DVD ou CD est en train de jouer :

Front: DVD/CD EQ: Flat Loud: Level 1

- Front (Avant): DVD/CD - « DVD/CD » est la source de reproduction courante pour la zone avant.

Information de reproduction VCD

L'information suivante est affichée en haut de l'écran alors qu'un VCD est en train de jouer :

VCD2.0 T: 6/18 00:02:18

- VCD 2.0 - Format du disque courant.
- T 6/18 - « 6/18 » indique que le sixième des 18 pistes sur le VCD est en train d'être joué.
- 00.02.18 - « 00.02.18 » indique le temps de reproduction de la piste courante.

L'information suivante apparaît en bas de l'écran pendant la reproduction VCD en mode 2 Chaîne :

Front: DVD/CD EQ: Flat Loud: Level 1

- Front (Avant): DVD/CD - « DVD/CD » est la source de reproduction courante pour la zone avant.
- EQ: Flat (Plat) - L'égaliseur est réglé à plat.
- Loud (Intensité) : Level (Niveau) 1 - L'option Intensité est réglée au niveau 1 de l'intensité.

Information générale du disque

Table 7: Propriétés du disque

Symbole	Propriétés du disque 12cm	Temps de reproduction maximum
	Simple côté simple couche DVD-5 Simple côté double couche DVD-9 Simple côté simple couche(DVD-10) Simple côté double couche(DVD-18)	MPEG 2 methode 133 minutes 242 minutes 266 minutes 484 minutes
	Simple côté simple couche VCD	(MPEG 1 Methode) 74 minutes
	Simple côté simple couche	74 minutes

Table 8: Symboles du disque

Symbole	Signification
	Le nombre de langues voix enregistré. Le numéro à l'intérieur de l'icône Indique le nombre de langues sur le disque (un maximum de 8).
	Le nombre de langues de sous-tirage disponible sur le disque (maximum 32).
	Le nombre d'angles fourni (maximum de 9).
	Rapport largeur longueur disponible. LB veut dire Boîte de Lettres et PS veut dire Panoramique/Balayage. Dans l'exemple à gauche le vidéo 16.9 est converti en vidéo Boîte à Lettres.

Table 8: Symboles du disque

Symbole	Signification
	Indique le code de la region où le disque peut être joué <ul style="list-style-type: none"> • Région 1 : Etats-Unis, Canada, Pacifique Est, Iles d'Océan. • Région 2 : Japon, Europe Occidentale, Europe Septentrional, Egypte, L'Afrique du Sud, Proche-Orient. • Région 3 : Taiwan, Hong Kong, Corée du Sud, Thaïlande, Indonésie, Asie du Sud-Est. • Région 4 : Australie, Nouvelle Zélande, Amérique Centrale et du Sud, Iles de Pacifique du Sud, Océanie. • Région 5 : Russie, Mongolie ; Inde, Asie Centrale, Europe Orientale, Corée du Nord, Afrique du Nord, Asie de Nord-Ouest. • Région 6 : Chine continentale.

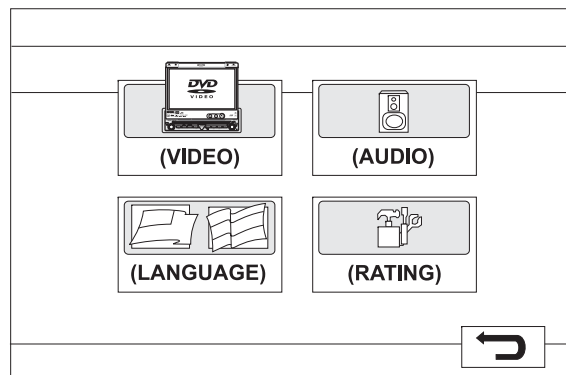
MENU DE CONFIGURATION DVD/DISQUE

A NOTER : Un DVD/disque doit être chargé dans le mécanisme et est en train de jouer avant d'accéder au menu configuration DVD. Lorsque le DVD/Disque est en train de jouer, appuyez sur le bouton DVD SETUP sur la télécommande pour accéder au menu configuration DVD.

En mode DVD Setup, « LANGUAGE », « VIDEO », « AUDIO » et « RATING » (verrouille parentale) sont disponibles pour configuration. Cette opération peut être exécutée en utilisant la télécommande ou les contrôles de la manette.

Accéder à l'écran configuration du DVD

Pour les réglages du système, appuyez sur le bouton DVD SETUP (31) sur la télécommande pour entrer dans le menu DVD Setup. LANGUAGE est surlignée en vert.



A NOTER : Lorsque la configuration DVD est terminée, les réglages sont mis en mémoire. Pour revenir aux réglages d'usine par défaut, appuyez sur le bouton RÉSET (22) sur le panneau d'avant.

Accéder à un menu

Pour accéder à un menu (LANGUAGE, VIDEO, AUDIO et RATING), appuyez sur les boutons de direction (16, 17, 18, 19) sur la manette ou sur la télécommande (15, 17, 18, 19, 22) pour surligner le menu désiré en vert.

Sélectionner une fonction pour ajustement

Une fois à l'intérieur du menu, appuyez sur les boutons >> ou << (14, 22) sur la télécommande ou les boutons Λ ou ∇ (18, 19) sur la manette pour sélectionner la fonction à être ajustée.

Ajustement d'une fonction

- Entrez dans le champ d'option pour la fonction que vous voulez ajuster en appuyant sur le bouton >|| (18) sur la télécommande ou en appuyant sur le bouton ENTER (manette) (20) sur l'appareil. Un sous-menu apparaît dans le deuxième rang avec l'option sélectionnée surlignée en bleu.
- Sélectionnez une nouvelle valeur en appuyant sur les boutons >> ou << (22, 14) sur la télécommande ou les boutons Λ ou ∇ (18, 19) sur la manette.
- Confirmez votre sélection en appuyant sur les boutons <<, |<<, ou >>| (22, 17, 19) sur la télécommande, ou sur les boutons < ou > (16, 17) sur la manette. La nouvelle valeur est surlignée en bleu et la configuration est terminée.

Menu LANGUAGE

Si le DVD soutient plus d'une langue audio ou de sous-titrage, toutes les langues sont disponibles pour sélections pendant la reproduction. Si la langue sélectionnée n'est pas soutenue par le DVD, alors la langue par défaut est utilisée. Pendant la reproduction, appuyez sur le bouton SUBTITLE (9) ou AUDIO (5) sur la télécommande pour changer la langue directement. Cela n'aura aucun effet sur les réglages de menu DVD.

Table 9: Fonction Menu LANGUAGE

Réglages	Options	Fonction
Sous-titre	Anglais	Sélectionnez la langue par défaut dans laquelle vous voudriez que les sous-titres (si nécessaire) soient affichés..
	Chinois	
	Auto	
	En arrêt	
Audio	Anglais	Sélectionnez la langue par défaut dans laquelle vous voudriez que l'audio (lorsque facultatif) soit reproduit.
	Chinois	
Menu DVD	Anglais	Sélectionnez la langue par défaut dans laquelle vous voudriez que le menu DVD (si applicable) soit affiché.
	Chinois	

Fonction menu video

Table 10: Fonction menu video

Réglages	Options	Fonction
Forme Télé Rapport largeur Longueur	4:3 PS	Avec un affichage 16.9, les côtés droite et gauche sont coupés
	4:3 LB	Avec un affichage 16.9, le haut et le bas sont coupés
	16:9	Indicateur angle (si applicable) est montré
Marque Angle	En marche	Indicateur angle n'est pas montré
	En arrêt	
		Retour au menu précédent

A NOTER : Pour les disques standardisés qui ne sont pas formatés pour écran large, utilisation d'un rapport largeur longueur de 16.9 mènera à la distorsion de l'image.

Menu audio

Table 11: Fonctions menu audio

Réglages	Options	Fonction
DRC	En arrêt	Employez le contrôle de gamme dynamique pour une reproduction meilleure à des volumes bas.
	En marche	
		Retour au menu précédent.

Menu classement (verrouille parentale)

Le système DVD a une fonction de verrouillage parental encasté pour empêcher des personnes non-autorisées de regarder du contenu du disque interdit. Par défaut, le système de classement n'est pas verrouillé.. Après la configuration, la verrouille parentale est relâché uniquement en entrant le mot de passe correct. Lorsque le mot de passe est entré, le classement est disponible pour configuration.

Table 12: Fonction Menu RATING

Réglage	Options	Fonction
Password (mot de passe)	----	Entrez un mot de passé à 4 chiffres pour activer la fonction Classement.

Table 12: Fonction Menu RATING

Réglage	Options	Fonction
Rating (classement)	1. Kid Safe	Sélectionnez le niveau de classement approprié pour le public en question. Vous pouvez dépasser des classements supérieurs en utilisant votre mot de passé.
	2. G	
	3. PG	
	4. PG-13	
	5. PG-R	
	6. R	
	7. NC-17	
	8. Adult	
Load Factory (charger usine)	Reset	Sélectionnez Reset pour rétablir les réglages d'usine par défaut pour le système de classement uniquement.
		Retour au menu précédent

Pour réinitialiser le mot de passe, entrez dans le menu RATING et entrez le mot de passe courant. Une fois que le mot de passe correct est entré, vous pouvez accéder au champ Password et en entrer un nouveau.

A NOTER : Enregistrez le mot de passe et gardez-le dans un endroit sûr pour référence à l'avenir. Le classement pour chaque disque est marqué sur le disque, sur l'emballage du disque et dans la documentation. Si le classement n'est pas disponible sur le disque la fonction verrouille parentale n'est pas disponible non plus. Certains disque ne restreignent que des sections du disque et le contenu approprié va jouer. Pour des détails, référez-vous à la description du disque.

OPERATION AUDIO DVD/DISQUE

Instructions pour le contrôle du TFT et Insérer/Ejecter sont les mêmes pour l'opération DVD, CD et MP3. Voir la section Opération Vidéo DVD/Disque pour avoir des informations sur ce sujet.

Le VM9311 va jouer de la musique et d'autres fichiers audio des média disques suivants :

- CD-DA
- CD-R/RW avec des fichiers MP3 et WMA.
- DVD
- DVD-R/RW avec des fichiers MP3 et WMA

Lorsque vous insérez un disque avec l'écran TFT ouvert, le titre du disque et de la piste (si disponible) avec le numéro de la piste et le temps de reproduction apparaissent sur l'écran.

Contrôler la reproduction

Arrêter la reproduction

Appuyez sur le bouton **6/STOP** (13) sur le panneau d'avant ou le bouton **■/BAND** (20) on the remote control to stop disc play.

Pour reprendre la reproduction, appuyez sur le bouton **ENTER** ou la manette (20) sur le panneau d'avant, ou le bouton **>||** (18) sur la télécommande.

Faire pause pendant la reproduction

Appuyez sur le bouton **ENTER**, ou la manette (20) sur le panneau d'avant, ou sur le bouton **>||** pour suspendre ou reprendre la reproduction du disque.

Se déplacer à travers les pistes

Appuyez sur le bouton **>>|** sur la télécommande ou le bouton **>** sur la manette pour avancer jusqu'à la prochaine piste sur le disque.

Appuyez sur le bouton **|<<** sur la télécommande ou sur le bouton **<** sur la manette pour vous déplacer jusqu'à la piste précédente.

Répéter la reproduction

Appuyez sur le bouton **4/REP** (11) sur le panneau d'avant ou le bouton **REPT** (7) sur la télécommande pour changer la mode de répétition comme suit :

- DVD : Répéter titre, Répéter chapitre, Répéter en arrêt
- CD-DA : Répéter simple, Répéter en arrêt
- CD-R/RW : Répéter simple, répéter en arrêt
- DVD-R/RW : Répéter simple, répéter en arrêt

Sélectionner balayage de la piste (CD-DA uniquement)

Pendant la reproduction du disque, appuyez sur le bouton **3/SCN** (10) sur l'appareil, ou le bouton **SCAN** (34) sur la télécommande pour jouer les 10 premières secondes de

chaque piste. Lorsque vous arrivez à une piste désirée, appuyez de nouveau sur le bouton **SCN** pour annuler la fonction et jouer la piste sélectionnée.

Sélectionner la reproduction au hasard

Pendant la reproduction du disque, appuyez sur le bouton **5/RDM** (12) pour jouer les pistes sur un disque dans un ordre mélangé. Dans la mode Reproduction au Hasard, vous pouvez appuyer sur les boutons **|<<** ou **>>|** sur la télécommande ou les boutons **<** ou **>** (16, 17) sur la manette pour sélectionner une piste dans l'ordre mélangé au lieu de la progression normale. Appuyez de nouveau sur le bouton **5/RDM** pour annuler la mode de Reproduction au Hasard.

A NOTER : CD-R et CD-RW ne joueront que si la séance d'enregistrement est fermée.

Avance rapide

Appuyez sur le bouton **>>** (14) sur la télécommande ou le bouton **Λ** (18) sur la manette pour faire avance rapide. Continuez à appuyer et relâcher le bouton pour augmenter la vitesse de 2X à 4X, 8X et 20X.

Opération MP3/WMA

Cet appareil vous permet de reproduire des fichiers MP3/WMA enregistrés sur des CD-R/RWs et sur des DVD-R/RWs. Pour des disques CD-RW, rassurez-vous qu'ils soient formatés en utilisant la méthode pleine et non pas la méthode rapide pour empêcher une opération illégale du disque.

Jusqu'à 999 chansons ou dossiers peuvent être brûlés sur un disque pour un mélange de musique du MÉGA DVD.

N'excédez pas ce nombre de chansons ou les dossiers ou les problèmes de lisibilité de disque peuvent se produire.

Format compatibilité MP3

Les formats de nomination de fichiers listés ci-dessous sont compatibles avec cet appareil

- **ISO 9660** - nom de fichier 12 caractères, extension de fichier 3 caractères
- **ISO 9660** - nom de fichier 31 caractères, extension de fichier 3 caractères
- **Joliet** - 64 caractères

Si le fichier ou le dossier ne conformeront pas aux standards du système de fichiers ISO 9660, il peut ne pas être affiché ou reproduit correctement.

Utilisez les réglages suivants lorsque vous compressez des données audio pour votre disque MP3.

- Taux de transfert de bits - 320kbps

- Fréquence d'échantillon - 48 kHz

Lorsque vous enregistrez MP3 jusqu'à la capacité maximum du disque, désactiver l'écriture supplémentaire. Pour enregistrer sur un disque vide jusqu'à la capacité maximum du disque, utilisez le réglage « Disque tout de suite ».

Jouer des fichiers MP3/WMA

Après insertion d'un disque MP3/WMA, des fichiers seront reproduit dans la séquence du répertoire racine.

Utilisez le pavé numérique sur la télécommande (29) pour accéder aux fichiers directement.

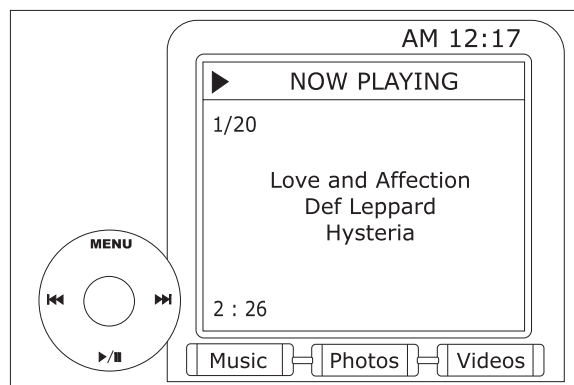
A NOTER : Lorsque vous enregistrez des fichiers MP3/WMA sur un disque DVD, utilisez l'option d'enregistrement 2X ou 4X (si disponible). Cette vitesse d'enregistrement va aider à éliminer des erreurs de tampon et à augmenter la fiabilité de la lisibilité du disque. Aussi, utilisez des dossiers lorsque vous enregistrez un grand nombre de chanson/fichiers sur un disque pour faciliter la navigation musique.

En outre, choisissez l'option de « Disc at Once » (disque immédiatement) dans votre logiciel brûlant en brûlant DVD.

OPERATION iPod

Accéder à la mode iPod

L'appareil va automatiquement changer à la mode iPod, lorsqu'un iPod est branché au module média. Pour revenir au mode iPod à partir de n'importe quelle autre source menu, appuyez sur le bouton **SRC** sur le panneau d'avant (15) ou sur la télécommande (8) jusqu'à ce que le menu iPod apparaisse sur l'écran.



Contrôler votre iPod

Les boutons de télécommande suivants sont utilisés pour accéder aux menus iPod :

TITLE = Musique

MENU = Photos

AUDIO = Vidéos

Utilisez la manette sur l'appareil ou les clés de direction sur la télécommande pour naviguer des menus iPod.

Reproduction de la musique

Appuyez sur le bouton **>>** (19) sur la télécommande ou le bouton **>** (9) sur la manette pour vous déplacer jusqu'au prochain article sur le menu.

Appuyez sur le bouton **|<<** (17) sur la télécommande ou le bouton **<** (8) sur la manette pour vous déplacer jusqu'à l'article précédent sur le menu.

Appuyez sur le bouton **>||** (18) sur la télécommande ou le bouton **ENTER** sur la manette (20) sur l'installation de tête, pour sélectionner l'option menu surlignée.

Appuyez sur le bouton **>>** (14) sur la télécommande ou le bouton **^** (18) sur la manette pour revenir au menu précédent.

Reproduction du vidéo

Alors que le vidéo iPod peut être vu sur l'écran du VM9311, vous devez utiliser le iPod pour contrôler les options de reproduction du vidéo.

Appuyez sur le bouton **AUDIO** (5) sur la télécommande pour accéder au mode de VIDÉO d'iPod. Le contrôle de la diffusion de la volonté VM9311 de nouveau à l'iPod ainsi à vous peut choisir les médias visuels pour être montré sur le moniteur de VM9311 TFT. Pour annuler le mode VIDEO appuyez sur le bouton **>>** (14) sur la télécommande ou le bouton de **MENU** sur l'iPod.

A NOTER : Pour transmettre du vidéo depuis votre iPod à l'écran du VM9311, vous devez régler les options suivantes à travers le menu réglages vidéo iPod : TV Out = en marche, TV Signal = NTSC, et Widescreen = En marche.

Reproduction de photos

Alors que les photos iPod peuvent être vu sur l'écran du VM9311, vous devez utiliser le iPod pour contrôler les options de reproduction de photos.

Appuyez sur le bouton **MENU** (1) sur la télécommande pour accéder au mode de PHOTO d'iPod. Le contrôle de la diffusion de la volonté VM9311 de nouveau à l'iPod ainsi à vous peut choisir les médias visuels pour être montré sur le moniteur de VM9311 TFT. Pour annuler le mode PHOTO appuyez sur le bouton **>>** (14) sur la télécommande ou le bouton de MENU sur l'iPod.

A NOTER : Après avoir ir débranché votre iPod, le VM9311 va toujours revenir à la dernière mode accédée lorsque votre iPod était branché à l'appareil.

Inverse vers l'avant/rapide rapide

Pour jeûner l'inverse vers l'avant ou rapide, appuient sur et tiennent les boutons de **|<<** ou de **>>** (17, 19) pour 1 seconde et continuent à se tenir. Libérez pour reprendre le jeu normal.

Rechercher par playlists/les artistes/les albums/les chansons

Pour rechercher par Playlists, les artistes, les albums et les chansons, appuient sur le bouton **1** (29) sur la télécommande tandis que dans un des annuaires suivants : Playlist, artiste, album ou chanson. L'annuaire choisi sera consulté avec le nombre de pages et de dossiers du fait annuaire montré au dessus de la page. Pour accéder à la page ou au dossier,

écrivez le nombre de page ou de dossier directement du clavier de télécommande. Appuyez sur le bouton de **|<<** ou de **>>** (17, 19) sur la télécommande ou le bouton de **<** ou **>** (16, 17) sur la manche pour choisir la chanson ou la voie désirée.

OPERATION RADIO XM®

Des écouteurs peuvent souscrire à la radio XM sur le Web en visitant www.xmradio.com ou en appelant (800) 967-2346. Les clients doivent avoir leur identité radio prête (Voir « Affichage du code d'identification » à la page 79.). Les clients peuvent recevoir un nombre limité de chaînes libres à transmettre sans activation.

Accéder à la mode radio XM®

Pour changer à la mode radio XM, appuyez sur le bouton **SRC** (15) jusqu'à ce que le panneau de contrôle RADIO XM apparaisse sur l'affichage.

	CHANNEL NAME	CH 000	XM-1
	##AB##CD	AM 12:23	
TITLE	CATEGORY		
NAME	INFO		
XM1 C-SPAN	XM4 ESPNEWS		
XM2 CNN esp	XM5 Sporting		
XM3 ESPN	XM6 NASCAR		

Affichage du code d'identification

Avant d'écouter à la radio XM, vous devez souscrire au service en utilisant le numéro d'identification de votre radio. Pour afficher l'identité de la radio, appuyez sur les boutons < ou > (16, 17) sur la manette de manière répétée pour syntoniser à la chaîne 000. L'écran affiche une identité radio XM à 8 chiffres sous CHANNEL NAME.

Sélectionner une station

Appuyez sur les boutons < ou > (16, 17) sur la manette ou les boutons |<< ou >>| (17, 19) sur la télécommande pour changer à une autre station.

Mode de pré-réglage

Pour entrer dans la mode de pré-réglage, appuyez sur le bouton bande pour changer à XM-1, XM-2 ou XM-3 (indiqué dans le coin supérieur droite de l'écran TFT).

Six boutons de pré-réglage numérotés stockent et rappellent des stations pour chaque bande. Toutes les six stations

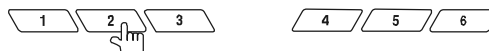
stockées (XM-1 à XM-6) pour la bande courante apparaissent sur l'écran TFT.

Stocker une station

1. Sélectionnez une bande (XM-1, XM-2 ou XM-3) et puis sélectionnez une station.
2. Appuyez sur un bouton de pré-réglage (1 à 6) pendant trois secondes. La station pré-réglée apparaît dans la boîte pré-réglée correspondante dans la moitié inférieure de l'écran.

Rappeler une station

1. Sélectionner une bande (XM-1, XM-2 ou XM-3)
2. Appuyez sur un bouton de pré-réglage (1 à 6) pour sélectionner la station stockée correspondante.



Mode de guide chaîne / catégorie

Il y a deux modes de recherche à aider à diriger par des canaux et ou des catégories. Pour accéder à la pression de mode de guide de Channel/Category, le bouton de **ZOOM** (23) sur la télécommande.

Le guide de la Manche est le mode de recherche de défaut. Pour accéder au guide de catégorie, appuyez sur le bouton de **TITLE** (2) sur la télécommande. Pour retourner au guide de la Manche, appuyez sur le bouton de **SUBTITLE** (9) sur la télécommande.

Mode de Guide Chaîne

Quand le bouton de **ZOOM** (23) est appuyé sur et le guide de la Manche est choisi, le « Search Mode » et la « CHANNEL » apparaissent dans la moitié supérieure de l'interface utilisateur. « XM » apparaît dans le bon coin supérieur et les six premiers canaux XM sont montrés dans les boîtes dans la moitié inférieure de l'écran de TFT.

	CHANNEL NAME	CH	XM
		AM 12:23	
TITLE	CATEGORY		
NAME	INFO		
1	4		
2	5		
3	6		

Appuyez sur le bouton >> (14) sur la télécommande ou le bouton Λ (18) sur la prochaine page des stations. Chaque page contient six canaux pour choisir à partir.

Lorsque vous êtes en mode de guide chaîne, appuyez sur le bouton << (22) sur la télécommande ou le bouton **V** sur la manette pour voir les page précédente des stations. Chaque page contient six canaux pour choisir à partir.

Pour sélectionner une chaîne lorsque vous êtes en mode de guide chaîne, appuyez sur le numéro de pré-réglage correspondant (1 à 6) sur l'appareil ou la télécommande. Le canal commencera à jouer et l'unité reviendra au a préréglé le mode. Tandis qu'en mode préréglé, serrez et jugez préréglent le bouton (1 à 6) pour stocker le jeu de canal.

Mode catégorie

Quand le mode de catégorie, le « Search Mode » et la « CATEGORY » apparaissent dans la moitié supérieure de l'interface utilisateur. Pour sélectionner une station dans la catégorie spécifique, exécutez les étapes suivante :

1. Appuyez sur le bouton >> (14) sur la télécommande ou le bouton Λ (18) sur la manette pour voir les six prochaines catégories. Appuyez sur le bouton << (22) sur la télécommande ou le bouton **V** (19) sur la manette pour voir les six précédentes catégories.
2. Pour sélectionner une catégories, appuyez le numéro de pré-réglage correspondant (1 à 6) sur l'appareil ou sur la télécommande. Lorsque vous avez choisi une catégorie, les stations dans cette catégories seront affichées sur l'écran.
3. Appuyez sur le bouton << (22) sur la télécommande ou le bouton **V** (19) sur la manette pour voir les six précédentes stations dans la catégorie sélectionnée.

Appuyez sur le bouton >> (14) sur la télécommande ou le bouton Λ (18) sur la manette pour voir les six stations prochaines.

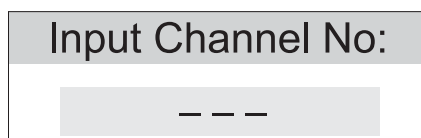
4. Pour sélectionner une chaîne lorsque vous êtes en mode catégorie, appuyez sur le numéro de pré-réglage correspondant (1 à 6) sur l'appareil ou sur la télécommande.

Appuyez sur le bouton de **TITLE** (2) pour retourner à la page principale de mode de catégorie et pour choisir une catégorie différente.

Syntonisation directe

Pour entrer une station directement, exécutez les étapes suivantes :

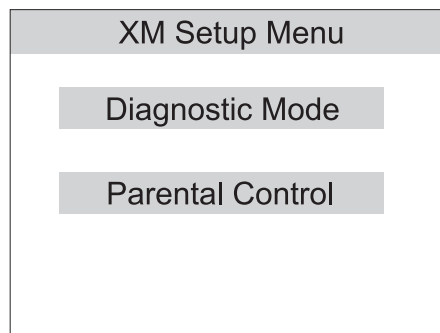
1. Appuyez sur le bouton **GOTO** (21) jusqu'à ce que l'écran suivant apparaisse.



2. Utilisez les clés numéros sur la télécommande pour entrer dans la station XM désirée. Vous devez écrire un nombre de 3 chiffres (par exemple, 004).
3. Appuyez sur le bouton >||| (18) sur la télécommande ou le bouton **ENTER** (manette) (20) sur l'appareil.

Menu configuration XM

Lorsque vous êtes en mode radio XM, appuyez sur le bouton **MENU** (1) sur la télécommande pour voir le Menu Configuration XM.



Appuyez sur Menu pour sortir du menu ou du sous-menu courant et retourner à l'écran précédent.

Mode Diagnostique

Cette fonction est réservée à l'usage des professionnels de service pour dépannage.

Control Parental

Par défaut, ce dispositif est ouvert et tous les canaux peuvent être consultés par n'importe qui qui écoute la radio. Pour fermer une station, appuyez sur le bouton de << (22) sur la télécommande ou le bouton de **V** (19) sur le manche jusqu'à ce que le « Channel Number » soit bleu accentué. Entrez le nombre de canal à fermer à clef. Appuyez sur le bouton de << sur la télécommande ou le bouton de **V** sur le manche et choisissez la LOCK. Répétez cet ordre pour que chaque canal soit fermé à clef. Appuyez sur le bouton de >> sur la télécommande ou le bouton de Λ (18) sur le manche et dirigez le support au mot de passe - l'entrée 1264 et la petite serrure jaune clôtureront indiquer que le canaux sont verrouillés. Appuyez sur le bouton de **MENU** (1) deux fois pour retourner à la page XM principale.

DEPANNAGE

Table 13: Depannage

Problème	Cause	Modalité de reprise
GÉNÉRAL		
L'appareil ne se met pas en marche	Fusible radio a sauté	Installez un nouveau
	Le fusible de la pile voiture a sauté	Fusible avec le classement correct
	Opération illégale	Appuyez sur le bouton RESET situé dans le coin en bas, à droite du panneau d'avant
La télécommande ne fonctionne pas	Pile vidé	Remplacez la pile
	La pile est installé incorrectement	Enlevez la Pile et installez-la correctement
Pas de sortie audio	Branchement sortie audio incorrect	Vérifiez le câblage et branchez
	Volume est réglé trop bas	Augmentez le niveau de volume
	Branchement MUTE incorrect	Revoyez le diagramme de câblage et vérifiez le branchement « MUTE »
	Haut-parleurs endommagés	Remplacez les haut-parleurs
	Déséquilibre de volume	Ajuster l'équilibre de chaîne vers la Position de centre
	Le câblage haut parleur est en contact	Isoler tous les branchements de avec la partie métallique de la voiture haut-parleurs
Mauvaise qualité de son ou distorsion	Utilisation des disques piratés	Utilisez copie Originale
	Classement de puissance haut parleur	Branchez les haut-parleurs qu'il faut N'est pas compatible avec l'appareil
	Court-circuit de haut-parleurs	Vérifiez le contact de haut-parleurs
Mauvais fonctionnement	Le fil Mute es terré	Vérifiez que le branchement « MUTE » de Tel-Mute n'est pas terré et qu'il est bien isolé
L'appareil se réinitialise	Branchement incorrect	Vérifiez le câblage et corrigez Lorsque le moteur est coupé entre ACC et positif
Moniteur TFT		
Moniteur ne s'ouvre	Ouverture automatique TFT	Mettez ouverture automatique TFT en marche
Pas d'image	Branchement incorrecte	Vérifiez câblage et corrigez
	Le commutateur de PRK est actionné et le frein de stationnement n'est pas engagé	Arrêtez le véhicule dans un endroit
Image clignotante ou interférence apparaît sur l'écran	DVD n'est pas compatible avec les réglages du système Télé courant	Changez la configuration pour accommoder le disque
	Les branchements vidéo signalament incorrecte	Vérifiez le câblage et corrigez
Image allongée et affichage rapport hauteur/largeur	Configuration rapport largeur longueur incorrecte	Utilisez le réglage du rapport largeur/longueur
Moniteur s'arrête a une position incorrecte	Le chemin de mouvement est bloqué	Appuyez sur le bouton OPEN pour redémarrer le mouvement du moniteur
TUNER		
Faible recherche de stations	Antenne auto n'est pas	Branchez le câble de contrôle d'antenne auto correctement
	Etendue jusqu'au bout antenne auto n'est	Branchez le câble de contrôle d'antenne auto correctement
	La fonction locale est activée	Mettez la fonction locale en arrêt
Ne peut pas insérer disque	Disque déjà chargé dans l'appareil	Ejectez le disque courant et insérez le nouveau

Table 13: Depannage

Problème	Cause	Modalité de reprise
Le disque ne joue pas	Disque est tordu ou Egratigné	Utilisez le disque en bonne condition
	Disque est sale ou moite	Nettoyez le disque avec un tissu Doux
	Le pickup laser est sale	Nettoyez le pickup laser avec un Disque de nettoyage
	Utilisation d'un disque Incompatible	Utilisez un disque compatible
	L'estimation de disque dépasse la limite parentale d'estimation de serrure	Changez les réglages de
	La code de région du disque N'est pas compatible avec L'appareil	Utilisez le disque avec la bonne code de région
	Le disque est inséré sens dessus sense dessous	Insérez le disque avec l'étiquette en haut
Image flou, déformé ou sombre	Le disque est illégalement copié	Utilisez le disque original
Ne peut pas utiliser PBC No repeat or searching while playing VCD	PBC n'est pas disponible sur le disque	
Pas de répétition ou de Recherche lorsqu'on joue Le VCD	PBC est en marche	Mettez le PBC en arrêt
MP3		
Interruption pendant la	Le disque est sale ou égratigné	Nettoyez le disque ou remplacez-le
	Fichier est endommagé/ Mauvais enregistrement	Recréez le disque avec de bons fichiers
Message de reproduction Incorrecte est affichée	Le message est plus grand que l'affichage aux cristaux liquides	
RADIO XM		
Acoustique non disponible	Jonctions de câble incorrectes	Vérifiez les jonctions de câble de RCA
Source XM non disponible	Jonctions de câble incorrectes	Vérifiez les jonctions de câble de câble des données XM et de Media Module
ANTENNA apparaît sur XM l'écran primaire	Antenne non reliée	Vérifiez les raccordements satellites d'antenne
Toutes autres erreurs		Remettez Media Module
IPOD		
Source d'iPod non disponible	Jonctions de câble incorrectes	Vérifiez le jLink et les jonctions de câble de module de médias
Ne peut pas voir des médias de vidéo et de photo sur l'écran de TFT	Arrangements faux de vidéo d'iPod	Vérifiez la jonction de câble visuelle d'entrée du jaune RCA de module de médias
Toutes autres erreurs		Remettez Media Module

Messages d'erreur
Table 14: Messages d'erreur

Message d'erreur	Cause	Modalité de reprise
Chargement	Le disque est en train d'être lu	
Pas de disque	Le disque est sale	Nettoyez le disque avec un tissu doux
	Le disque est sens dessus Sens dessous	Insérez le disque avec l'étiquette en haut
	Aucun disque dans le Compartiment de chargement	Insérez un disque avec un tissu doux
Mauvais disque	Le disque est sale	Nettoyez le disque
	Le disque est sens dessus Sens dessous	Insérez le disque avec l'étiquette en haut

Table 14: Messages d'erreur

Message d'erreur	Cause	Modalité de reprise
Unknown disc	Le format disque n'est pas compatible avec cet appareil	
Erreur Région	DVD n'est pas compatible avec la code région de l'appareil	
Erreur	Opération de mécanisme illégale	Appuyez sur le bouton EJECT pendant 5 secondes pour réinitialiser le mécanisme de chargement

Soin et Entretien

1. N'utilisez qu'un tissu propre en silicone et une lessive neutre pour nettoyer le panneau d'avant ou le moniteur. Un tissu rugueux ou une lessive qui n'est pas neutre (tel que l'alcool) peut mener à des égratignures ou des discolorations.
2. Ne versez pas d'eau ou des fluides sur l'appareil
3. Si la température à l'intérieur de la platine monte trop haut, un circuit de protection arrête automatiquement la reproduction du disque. Si cela arrive, permettez à l'appareil de se refroidir avant d'opérer la platine de nouveau.
4. N'insérez jamais rien qu'un disque compact de 5" (12cm) dans la platine comme le mécanisme peut être endommagé par l'introduction des objets étrangers.
5. N'essayez pas d'utiliser un disque CD simple de 3" (8) dans cet appareil, avec ou sans un adaptateur. Cela peut endommager la platine ou le disque. De tels dégâts ne sont pas couvert par le garanti sur ce produit.
6. La platine CD peut ne pas opérer dans des froids ou des chaleurs extrêmes. Si de telles conditions arrivent, permettez à la température à l'intérieur du véhicule de redevenir normal avant de remettre la platine CD en marche.
7. Lorsque le véhicule se réchauffe quand il fait froid ou humide, de la condensation peut apparaître sur le panneau d'affichage aux cristaux liquides. Si cela arrive, l'écran ne fonctionnera pas bien jusqu'à ce que l'humidité s'évapore.
8. Nous recommandons que vous utilisez un disque de nettoyage plus fréquemment que pour l'appareil chez vous à cause des conditions environnementales dans le véhicule.

SPECIFICATIONS

Classement Puissance CEA



Sortie puissance : 13 Watt RMS x 4 Chaînes x 4 Ohms @ < 1% THD+N

Rapport signalement au bruit : 70 dBA sous référence (Référence 1 watt, 4 Ohms)

Puissance dynamique : 64 Watts x 4 Ohms, toutes les chaînes conduit

Réponse fréquence : 20Hz jusqu'à 20 kHz, -3dB entrée auxiliaire utilisé comme référence source

Voltage référence fourni : 14.4 VDC
Platine DVD/CD

Formats compatibles : DVD-R, DVD-RW, DVD+R, DVD+RW, CD-R, CD-RW, CD-DA, MP3, WMA, SVCD, VCD, et MPEG1, MPEG2 et JPEG.

Rapport signalement au bruit : > 95dBA

Gamme dynamique : > 95dB

Réponse fréquence : 20Hz jusqu'à 20kHz, -3dB

Séparation des chaînes : > 60dB @ 1kHz

Convertisseurs D/A : Haute performance 24bit, 192 kHz, multi-bit modulateur Sigma Delta. Soutien des taux d'échantillon de 8 à 192kHz

Protection skip électronique : Mémoire flash 16Mbit à haute vitesse, DVD 3secondes, CD-DA 10 secondes, MP3/WMA 100/300 secondes

Vidéo

Format : NTSC, PAL (auto-détection)

Sortie : 1 Vp-p (75 ohms)

Entrée : 1 Vp-p, (75 ohms)

Tuner FM

Gamme de syntonisation : 87.5MHz à 107.9MHz

Sensibilité Mono (-30dB) : 9dBr

Seuil de sensation douloureuse (50dB) : 15dBr

Sélectivité de chaîne alternative : 70dB

Rapport signalement au bruit @ 1kHz : 58dB

Rejet d'image : 80dB

Séparation stéréo @ 1kHz : >30dB

Réponse fréquence : 30Hz à 15kHz, -3dB

Tuner AM

Gamme de syntonisation : 530kHz à 1720kHz

Sensibilité (-20dB) : 30uV

Rapport signalement au bruit @ 1kHz : 50dB

Rejet d'image : 60dB

Réponse fréquence : 50Hz à 2kHz, -3dB

Moniteur

Taille de l'écran : 7.0" (mesure diagonale), 16 :9 écran large

• 6.06" (154.1mm) largeur x 3.42" (87mm) hauteur

Type d'écran : TFT Affichage aux cristaux liquides (LCD) matrice active

Temps de réponse : 30millisecondes temps de montée, 50 millisecondes temps de descente

Résolution :

• DVD/Vidéo composite en 336,960 sous pixels, 1440 largeur x 234 hauteur

Angle de visionnement :

- 65 degrés droite ou gauche
- 40 degrés vers le haut
- 65 degrés vers le bas

Général

Impédance entrée auxiliaire : 10k

Alimentation : 11 à 16VDC, terre négative

Antenne de Puissance (bleu) : 500mA max, protection limitée au courant électrique

Extérieur d'Amplificateur (bleu/blanc) : 500mA, protection limitée au courant électrique

Fusible : 15-Amp, type mini ATM

Dimensions de châssis DIN : 2"x 7" x 7" (50mm x 178mm x 178mm)

Température de fonctionnement : -20C ~ 70C

*Les spécifications sont susceptible d'être changé sans avertissement

GARANTIE LIMITÉE DE 12 MOIS

AUDIOVOX CORPORATION (la Société) garantit à l'acheteur initial du produit que si tout ou partie de ce produit, en cours d'utilisation et sous des conditions normales, venait à présenter des vices de matière primitive ou des défauts de fabrication, dans les 12 mois suivant la date d'achat initial, ce(s) défaut(s) sera(seront) réparé(s) ou remplacé(s) par un produit neuf ou reconditionné (au choix de la Société), sans frais de pièces ni de main-d'oeuvre. Si ce produit doit être réparé ou remplacé durant la période de la Garantie, entrez en contact avec svp Jensen au numéro de téléphone fourni ci-dessous.

Cette Garantie ne couvre pas l'élimination des parasites ou des bruits générés par le moteur, la correction des problèmes

d'antenne, les frais encourus pour l'installation, le retrait ou la réinstallation du produit, ni les dommages causés aux cassettes, disques compacts, accessoires ou au système électrique du véhicule. Cette Garantie ne s'applique pas aux produits ou aux parties consituantes qui, de l'avis de la Compagnie, ont été endommagés par suite de modification, d'installation incorrecte, de mauvaise manipulation, d'utilisation abusive, de négligence, d'accident, ou encore du retrait ou du griffonnage des inscriptions ou de l'étiquette code à barres/numéro de série installé en usine. SELON LES TERMES DE CETTE GARANTIE, LA RESPONSABILITE DE LA SOCIETE EST LIMITEE A LA REPARATION OU AU REMPLACEMENT, TEL(LE) QU'IL(ELLE) EST STIPULE(E) CI-DESSUS ET, EN AUCUN CAS, LA RESPONSABILITE DE LA SOCIETE NE POURRA EXCEDER LE PRIX D'ACHAT PAYE PAR L'ACHETEUR DU PRODUIT.

Cette Garantie remplace toute autre garantie expresse ou responsabilité. TOUTE GARANTIE TACITE, COMPRENANT TOUTE GARANTIE DE QUALITE LOYALE ET MARCHANDE, EST LIMITEE A LA DUREE DE CETTE GARANTIE ECRITE. TOUTE ACTION POUR RUPTURE DE TOUTE GARANTIE, SELON LES TERMES DE LA PRESENTE, COMPRENANT TOUTE GARANTIE IMPLICITE DE QUALITE LOYALE ET MARCHANDE, DOIT ETRE INTENTEE DANS LES 12 MOIS A COMPTER DE LA DATE D'ACHAT INITIAL. EN AUCUN CAS LA SOCIETE NE SERA RESPONSABLE DE TOUT DOMMAGE INDIRECT OU FORTUIT POUR RUPTURE DE CETTE GARANTIE OU DE TOUTE AUTRE GARANTIE, EXPRESSE OU IMPLICITE, DE QUELLE QUE NATURE QUE CE SOIT. Aucune personne ni aucun représentant n'est autorisé(e) à assumer, au nom de la Société, d'autre responsabilité que celle exprimée dans la présente, et se rapportant à la vente de ce produit.

Certains Etats n'autorise pas les restrictions relatives à la durée d'application des garanties implicites ni l'exclusion ou la limitation des dommages indirects ou fortuits. Dans ces Etats, de telles limitations ou exclusions ne s'appliquent donc pas. Cette Garantie vous donne des droits juridiques spécifiques et vous pouvez également jouir d'autres droits, suivant l'Etat dans lequel vous vivez.

U.S.A : 1-800-323-4815

CANADA: Composez le 1-800-323-4815 connaitre l'adresse du poste de garantie de votre région.

Audiovox Electronics Corporation
Hauppauge, NY 11788
Assistance technique: 1-800-323-4815
www.jensen.com

© 2006 Audiovox
Ver 1.0
Imprimé en Chine

Free Manuals Download Website

<http://myh66.com>

<http://usermanuals.us>

<http://www.somanuals.com>

<http://www.4manuals.cc>

<http://www.manual-lib.com>

<http://www.404manual.com>

<http://www.luxmanual.com>

<http://aubethermostatmanual.com>

Golf course search by state

<http://golfingnear.com>

Email search by domain

<http://emailbydomain.com>

Auto manuals search

<http://auto.somanuals.com>

TV manuals search

<http://tv.somanuals.com>