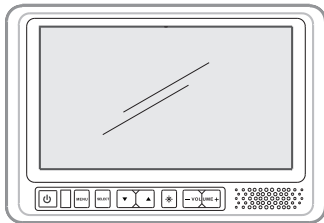


# *Voyager*<sup>®</sup>

## **AOM713** **7" COLOR TFT LCD 3 CAMERA** **MONITOR OWNER'S MANUAL**



### **AOM713 Features:**

- High Performance Automotive Grade 7" Color LCD Panel
- 3 Camera Inputs
- PAL/NTSC Compatible
- DC Auto Source Switching Triggers (turn Signal Compatible)
- Backlit Control Buttons
- Built-in Audio Speaker
- Manual/auto Day/night Display Brightness Modes
- Programmable Source Name OSD

### **Camera-Monitor Warnings!**

1. Camera/monitor system aids in the use of, but does not replace vehicle side/rear-view mirrors.
2. Objects in camera/monitor view are closer than they appear.  
When backing up, proceed cautiously and be prepared to stop

## AOM713

### **Important! - Please Read This Manual Before Installing!**

Congratulations on your purchase of a Voyager AOM713 LCD Observation Monitor. With proper installation and use, your AOM713 LCD is designed to provide you with years of trouble-free operate the unit. Please read this manual thoroughly beginning.

All Voyager Observation products are strictly intended to be installed as supplement aid to standard rear-view mirror systems that may already exist in your vehicle. Voyager Observation products are not intended for use as substitutes for-view mirror devices, Or for any other standard motor vehicle equipment required be installed on vehicles by law.

While Voyager observation products contribute to improving the vehicle operator's field Of view, these products are no substitute for proper defensive driving techniques and Observance of traffic laws and motor vehicle safety regulations.

### **Warnings!**

**RED POWER WIRE MUST BE CONNECTED TO ACCESSORY TO AVOID CURRENT DRAW IN THE KEY OFF POSITION.**

### **Installation Location**

It is unlawful in most jurisdictions for a person to drive a motor vehicle equipped with a television viewer or screen located at any point forward of the back of the driver's seat or in any location that is visible, directly or indirectly, to the driver while operating the vehicle. The AOM713 product is designed to be used primarily as a rear observation device in conjunction with closed circuit camera. In any installations where the AOM713 is used to display television broadcasts or recorded video, playback, installation location must adhere to local laws and regulations.

### **Tampering**

To prevent electrical shock, **DO NOT OPEN THE MONITOR CASE**. There are potentially harmful voltages inside the monitor. There are no user serviceable parts inside. If evidence of tampering is detected, the warranty will be considered void.

### **Moisture**

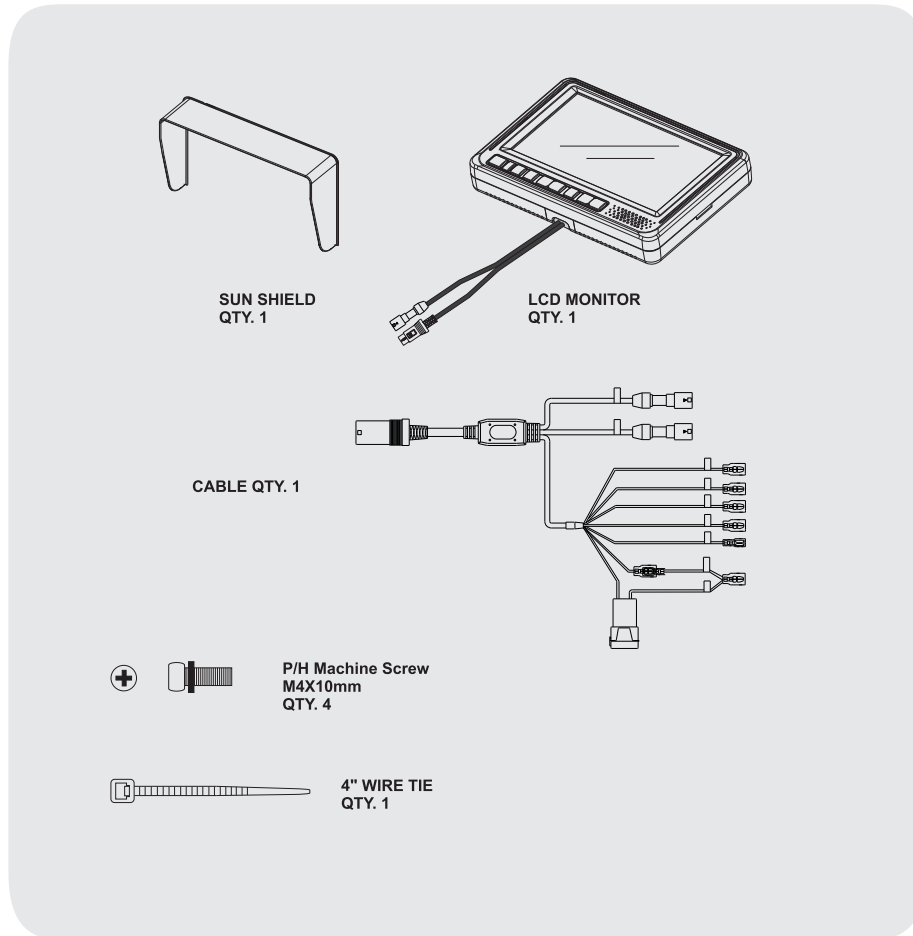
While it will withstand short periods of exposure to moisture, this product does contain sensitive electronic components and exposure to moisture should be limited by the user/installer. This product is not designed for where constant exposure to moisture or immersion can be encountered. This unit should **NEVER** be cleaned with a power washer or used where direct power washer spray may be encountered.

### **Depth of view**

**OBJECTS VIEWED IN MONITOR ARE CLOSER THAN THEY APPEAR.**

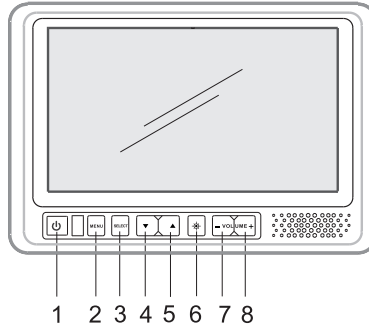
# AOM713

## PACKING CONTENTS



# AOM713

## CONTROLS AND OPERATION



### 1. POWER ON/OFF

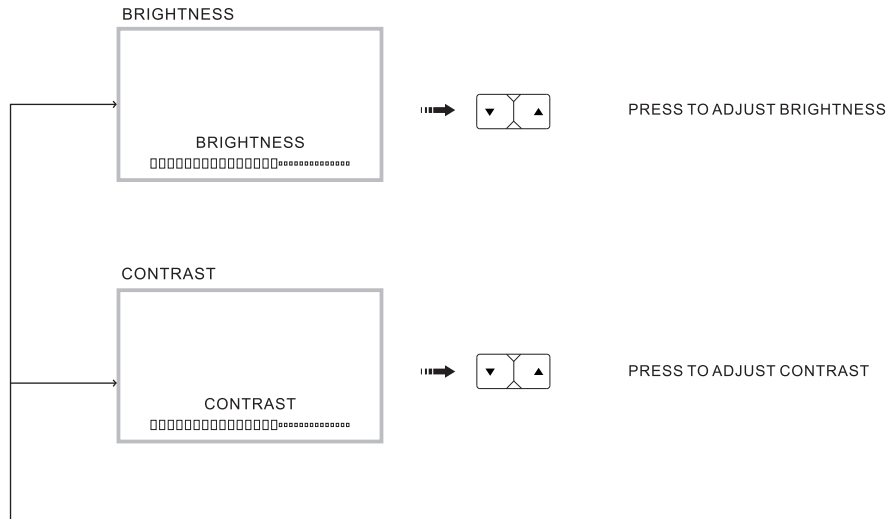


- Press once turns unit on
- Press again turns unit off
- When power applied and unit is off, only the red power button is backlit.
- When unit is turned on, all buttons are backlit.

### 2. MENU

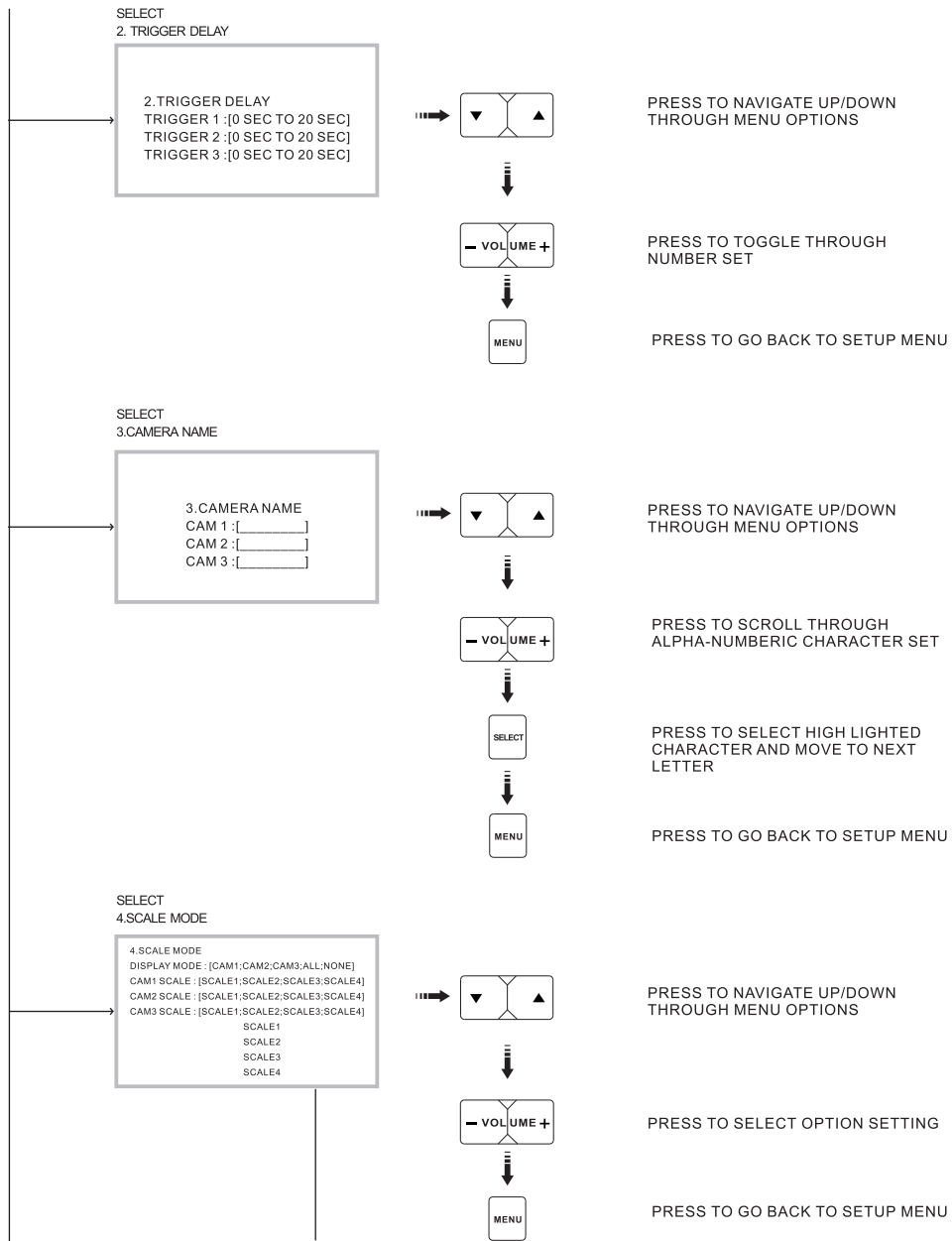


- Each one press less than 1 second enters brightness, contrast, color or tint adjust mode in turns (see Fig. 1)
- Time out of OSD menu is approx. 5 seconds from last key pressed

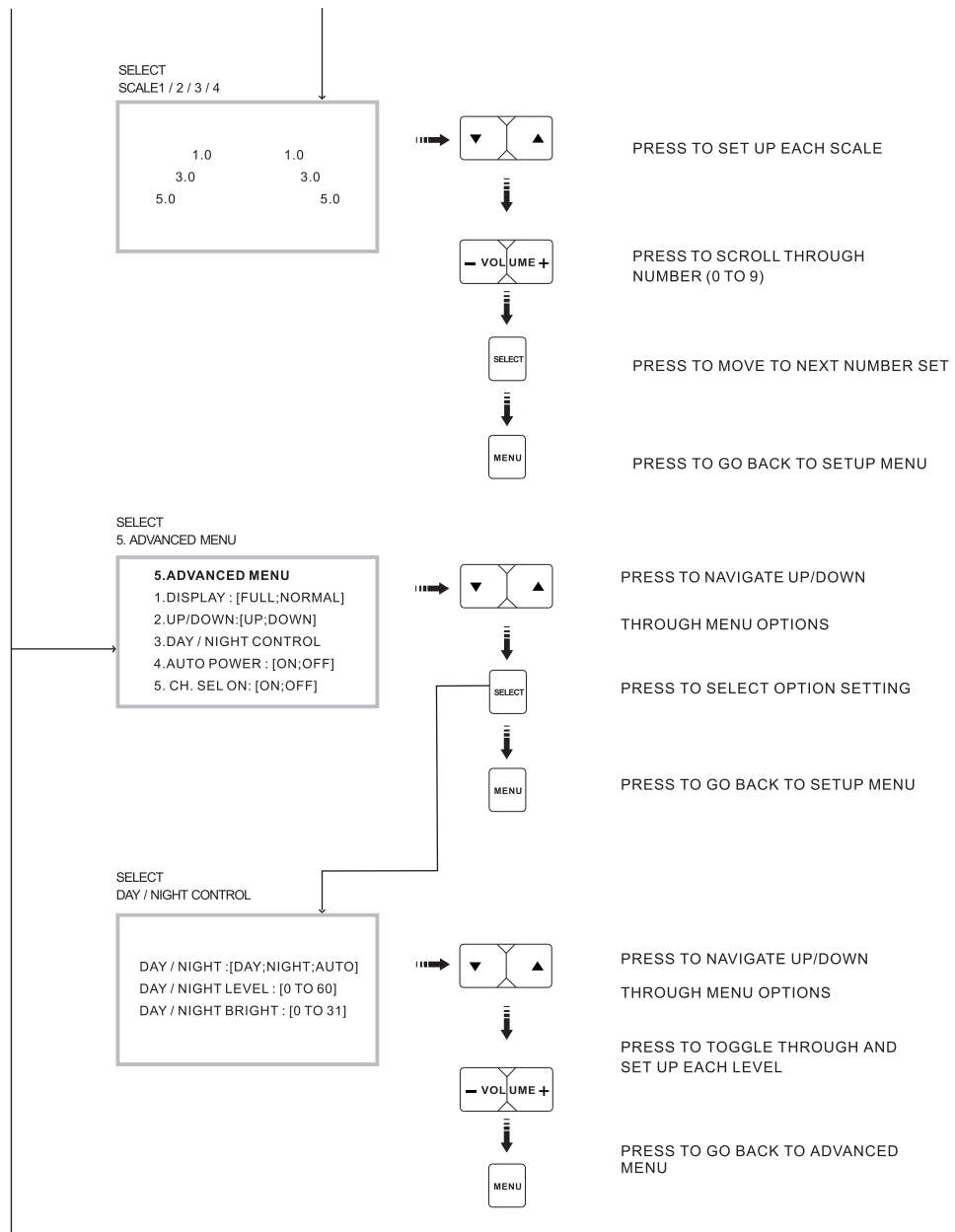




# AOM713



# AOM713



## AOM713

### 3. SELECT



#### **Primary Function Input Source Select**

-Pressing "SELECT" button sequences source input modes from Ch1 to Ch2 to Ch3.

-Source ID is indicated by OSD in top left corner.

#### **Secondary Function Menu Option Selection**

-While in Menu mode, the "SELECT" button is used to select the highlighted function or option setting

### 4. UP / DOWN



#### **Primary Function Brightness, Contrast, Color and Tint Control**

-Pressing "UP" button increases brightness, contrast, color or tint level

-Pressing "DN" button decreases brightness, contrast, color and tint level

#### **Secondary Function Menu Navigation**

-While in Menu modes, the "UP" and "DN" buttons are used to move cursor upward or downward

### 5. Day / Night



#### **Primary Function DAY/NIGHT Mode Setting**

-Pressing "DAY/NIGHT" button sequences day/night backlight compensation through "DAY", "NIGHT" and "AUTO" modes

### 6. Volume +/-



#### **Primary Function Speaker Volume Control**

-Pressing "-" button decreases speaker volume.

-Pressing "+" button increases speaker volume.

#### **Secondary Function Menu Option Setting Selection**

- While in certain Menu modes (i.e. Source Naming), the "-" and "+" buttons adjust settings or navigate through the available menu settings.



## AOM713

### INSTALLATION INSTRUCTIONS

#### BEFORE YOU BEGIN INSTALLATION:

Before drilling be sure that no cable or wiring is on the other side. Clamp all wires securely to reduce the possibility of them being damaged during installation and use.

Keep all cables away from hot or moving parts, and electrically noisy components.

#### Wiring Definitions:

- |                     |        |   |
|---------------------|--------|---|
| ■ Power connection: | Pin 1  | POWER IN DC (9V~ 30V) -Red                      |
|                     | Pin 2  | GROUND -Black                                   |
|                     | Pin 3  | CAMERA 1 TRIGGER -Blue                          |
|                     | Pin 4  | CAMERA 2 TRIGGER -Brown                         |
|                     | Pin 5  | CAMERA 3 TRIGGER -Green                         |
|                     | Pin 6  | AUDIO/MUTE (AUDIO ON/OFF) -White                |
|                     | Pin 7  | DAY/NIGHT TRIGGER - Gray                        |
| ■ Camera 1 input:   | 4-Pin  | Connection for camera or camera extension cable |
| ■ Camera 2 input:   | 4-Pin  | Connection for camera or camera extension cable |
| ■ Camera 3 input:   | 4-Pin  | Connection for camera or camera extension cable |
| ■ LCD panel:        | 13-Pin | Large DIN cable connection to monitor           |

#### General:

1. Choose the monitor, and camera locations.
2. Install all required cables in vehicle. A 3/4" (19mm) hole should be drilled for passing camera cables through vehicle walls, barriers, etc. Install split grommets where applicable. If additional cable protection is required install convoluted tubing over the cable.
3. After cable/wiring has been routed and components in place, temporarily make all system connections and perform a system function check. If system does not operate properly, see the troubleshooting section cable.
4. Make sure all cables are routed away from hot or moving parts, and away from sharp edges. Secure cables with wire ties.

#### Backup (Rear) Camera

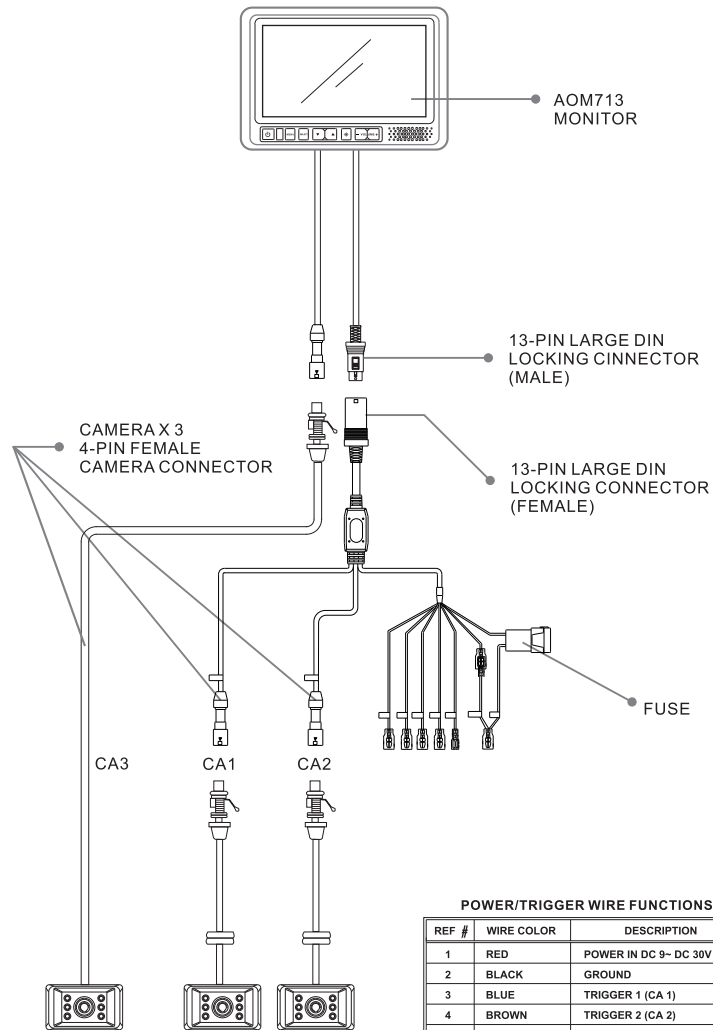
- Rear-mounted cameras used for monitoring while backing up must be connected to the CA1 input. Trigger#1 must be connected to the reverse gear light circuit in the vehicle.

#### Side Camera

- If side monitoring cameras are installed, they should be connected to CA2 and CA3. Trigger 2 and Trigger 3 should be connected to the vehicle's turn signal circuits.

# AOM713

## TYPICAL SYSTEM CONNECTION



**POWER/TRIGGER WIRE FUNCTIONS**

REF #	WIRE COLOR	DESCRIPTION
1	RED	POWER IN DC 9- DC 30V
2	BLACK	GROUND
3	BLUE	TRIGGER 1 (CA 1)
4	BROWN	TRIGGER 2 (CA 2)
5	GREEN	TRIGGER 3 (CA 3)
6	WHITE	TRIGGER 4 (AUDIO ON)
7	GRAY	TRIGGER 5 (DAY/NIGHT)



## AOM713

### PRODUCT SPECIFICATIONS

#### LCD PANEL SPECIFICATIONS

<b>Size/Type</b>	7" (Analog) TFT LCD	
<b>Brightness</b>	500 cd/m <sup>2</sup>	
<b>Contrast Ratio</b>	300	
<b>View Angles</b>	Top	40°
<b>(@ CR ≥ 10)</b>	Bottom	60°
	Horizontal	± 60°
<b>Response Time</b>	Rise : 15ms	
	Fall : 20 ms	
<b>Back Light Type</b>	LED	
<b>Back Light Life</b>	20,000 Hours (min)	

- **Operation Temperature Range** : -20°C ~ +65°C
- **Storage Temperature Range** : -35°C ~ +85°C
- **Max Humidity** : 85%
- **Operation Voltage Range** : DC 9V ~ 30V
- **Current Draw (typical)** : 600mA @12VDC
- **Signal system** : NTSC or PAL ( Auto detection)
- **Video Aspect Ratio** : 16 : 9  
**Input Level** : 1Vp-p 75Ω
- **Audio Input Level** : 150 mV (Max)
- **Product Weight** : 1.43 lbs / 650g
- **Product Dimensions** : Monitor Only Dimensions  
7.75 W X 5.25 H X 1.25D inches



ASA Electronics Corporation  
[www.asaelectronics.com](http://www.asaelectronics.com)  
[www.jensenrvidirect.com](http://www.jensenrvidirect.com)  
©2009 ASA Electronics Corporation  
V.072209

## Free Manuals Download Website

<http://myh66.com>

<http://usermanuals.us>

<http://www.somanuals.com>

<http://www.4manuals.cc>

<http://www.manual-lib.com>

<http://www.404manual.com>

<http://www.luxmanual.com>

<http://aubethermostatmanual.com>

Golf course search by state

<http://golfingnear.com>

Email search by domain

<http://emailbydomain.com>

Auto manuals search

<http://auto.somanuals.com>

TV manuals search

<http://tv.somanuals.com>