

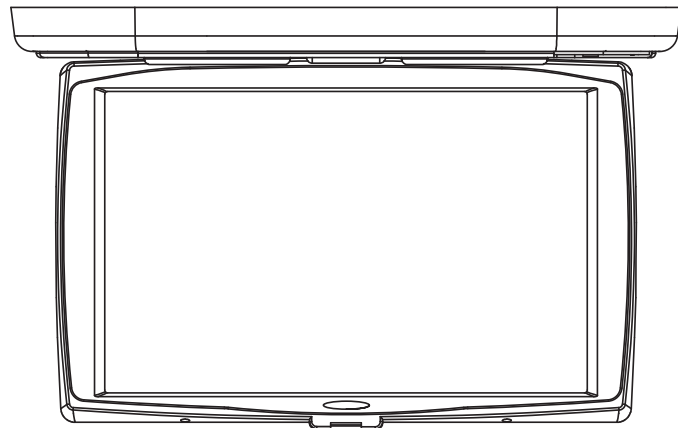


DESIGNED TO MOVE [YOU]

JE1569FDM

OPERATING MANUAL

Overhead 15" 16:9 Monitor



15"

Before operating the unit, please read these instructions carefully.

OT01005419- 06'10

Safety Precautions:

1. Ensure the plug is securely plugged into the main socket before operating the unit.
2. Ensure the Voltage on the main socket is the same as specified on the unit.
3. Use parts only manufactured by the unit manufacturers.
4. Ensure the battery is correctly installed before using the unit.

In case of the following emergencies, remove plug from the main socket immediately:

1. Plug or cables are damaged.
2. Any form of foreign objects dropped inside the enclosure.
3. Unit is being exposed to rain and/or water.
4. Unit unable to operate under normal operation.

Notices:

1. Any changes or modifications made to this unit will void the users warranty.
2. To comply with the FCC RF exposure compliance requirments , no change to the antenna or the device is permitted. Any change to the antenna or the device could result in the device exceeding the RF exposure requirements and void user's authority to operate the device.

This device complies with part 15 of the FCC RULES. Operations is subject to the following two conditions:

- (1) This device may not cause harmful interference and
- (2) This device must accept any interference received, including interference that may cause undisried operation.



CAUTION: TO REDUCE THE RISK OF ELECTRIC SHOCK, DO NOT REMOVE COVER (OR BACK). NO USER - SERVICEABLE PARTS INSIDE. REFER SERVICING TO QUALIFIED SERVICE PERSONNEL



The lightning flash with Arrowhead Symbol within an equilateral triangle is intended to alert the user to the presence of "uninsulated " dangers voltage" within the product's enclosure that may be of sufficient magnitude to constitute a risk of electric shock to persons.



The exclamation point within an equilateral triangle is intended to alert the user to the presence of important operating and maintenance (servicing) instruction in the literature accompanying the appliance.

GENERAL INFORMATION

WELCOME

Thank you for your purchase of this Roof Mount Monitor. Prior to operating this unit, please read this instruction manual and retain it for future references.

PRECAUTIONS

To avoid serious damage to the unit, to the car and/or to yourself, you should follow the instructions in this manual.

- * Should there be a need to replace the fuse turn off the unit and disconnect all power. Use only the correct rating fuse to avoid electrical damage to the unit.
- * During operation, if the unit should over-heat or malfunction, switch off the unit and see your dealer. Do not disassemble the unit. There are no user-serviceable parts in this unit.

To avoid serious injury to yourself and prevent damage to the LCD panel, please observe the following:

- * Do not drop the LCD panel or subject it to direct impact. Impact will cause damage to the LCD panel and/or to the back light element.
- * Should the LCD panel brake or leak fluid, please avoid all contact with the unit. If you should come into contact with the leaked fluid, please wash the affected area thoroughly with water and seek immediate medical attention.

This unit is designed using high quality electronic components and manufactured under a stringent quality control system. This unit will provide you with numerous hours of quality performance if utilized as specified. If need be, please follow these maintenance procedures:

- * Do not use any chemical solvent, cleaning agent or corrosive detergent when wiping the display. If chemicals are used, you will cause irreversible damage to the TFT screen. A soft, damp, lens cleaning cloth should be used to wipe the screen of fingerprints and debris.
- * Do not drop the monitor or impact it with hard objects. This may cause permanent irreversible damage to the LCD panel and/or the back light element.

IMPORTANT NOTES:

- * When the unit is used in conjunction with a Radio/TV tuner, please assure that the receiver is manufactured to receive television broadcast signals that are transmitted via terrestrial radio waves. Reception quality will change and vary according to geographic location and climatic control.
- * We strongly advise for the display screen to be installed at a location, where the attentiveness of the driver will not be affected while driving.
- * Only correct size of fasteners or installation cables should be used during installation. Failure to do so may cause a mechanical failure and create a fire hazard.
- * When in doubt, the authorized dealer should be contacted.
- * To avoid electrical shock to yourself and others, do not disassemble the unit,

NOTICE OF INTENDED USE

THIS VIDEO ENTERTAINMENT SYSTEM IS DESIGNED TO ENABLE VIEWING OF VIDEO RECORDINGS ONLY FOR REAR-SEAT OCCUPANTS.

MOBILE VIDEO PRODUCTS ARE NOT INTENDED FOR VIEWING BY THE DRIVER WHILE THE VEHICLE IS IN MOTION. SUCH USE MAY DISTRACT THE DRIVER OR INTERFERE WITH THE DRIVER'S SAFE OPERATION OF THE VEHICLE, AND THUS RESULT IN SERIOUS INJURY OR DEATH. SUCH USE MAY ALSO VIOLATE STATE LAW.

THE MANUFACTURER DISCLAIMS ANY LIABILITY FOR ANY BODILY INJURY OR PROPERTY DAMAGE THAT MAY RESULT FROM ANY IMPROPER OR UNINTENDED USE.

INSTALLATION GUIDE:

1.1 Precautions:

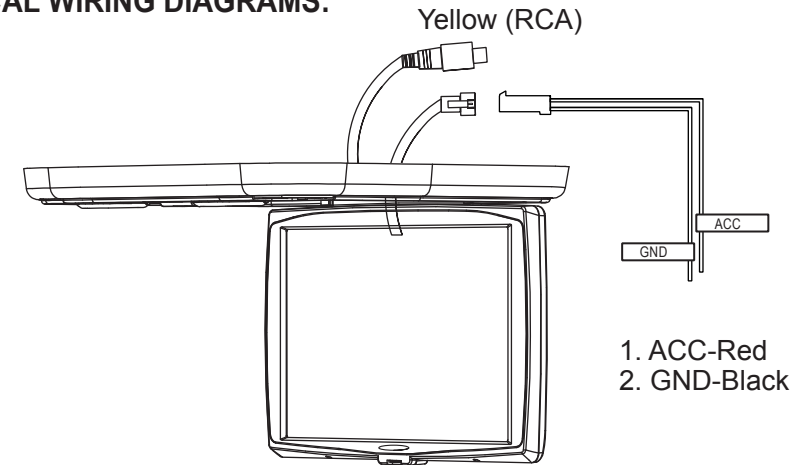
1. This unit should be installed by a qualified service technician.
2. This product is designed to operate with a 12V DC, negative ground battery system.
3. Disconnect the ground wire from the battery terminal prior to connecting the unit to the electrical system.
4. The wiring from some other products or accessories might bear similar color code as this product; however, they might be of other function. Please refer to the electrical connection diagrams of this product prior to installing to avoid improper connection.
5. Use proper installation and fastening materials to prevent electrical damage to the unit.
6. Only supplied accessories should be used to avoid damage to the unit during installation.
7. Ensure that the display monitor is suitably installed at a location, such that it will not obstruct the rear view mirror and/or the air condition vents.
8. Do not install screws over the plane surface, which may affect monitor eject or retract function.

SIGNAL CONNECTION:

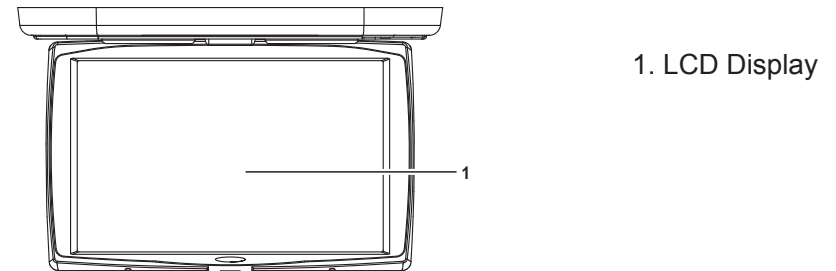
VIDEO:

Color Code	Function
Yellow (RCA)	Video - In (V-IN 1)

TYPICAL WIRING DIAGRAMS:



MAIN UNIT FUNCTION KEYS:



OPERATING THE MONITOR:

1. EJECT/OPEN THE DISPLAY MONITOR

To eject/open the display monitor, push & pull the open button to the desired position.

2. KEEPING THE DISPLAY MONITOR CLOSED

To prevent the LCD display from opening, pull the monitor back into the tray and engage the monitor lock with a click.

3. SIGNAL SOURCE ON

The unit will automatically power on when a video signal is applied.

Accessories supplied:

Item	Item Description
1	Operating manual
2	2 pin power connector

TECHNICAL SPECIFICATIONS:

Type	Roof Mount Color Display Monitor
Display System	15 inch Active Matrix Color TFT LCD
Aspect Ratio	16 : 9
Resolution	854 (W) x 480 (H)
Overall Dimensions	16.8 W x 11.35 H x 13.05 D
Back Light	10,000 hours normal operation
Mechanism	Manual Open / Close
Display Angle	Adjustable Horizontal: Up/Down < 100°
Source	Composite video input x 1
Operating Voltage	DC 12V
Operating Current	2.3A, Typical
Operating Temperature	0° C to 55° C

All specifications are subjected to change without prior notification



DESIGNED TO MOVE [YOU]

ASA
The Mobile Electronics Company
AUDIOVOX SPECIALIZED APPLICATIONS, LLC

www.asaelectronics.com

Free Manuals Download Website

<http://myh66.com>

<http://usermanuals.us>

<http://www.somanuals.com>

<http://www.4manuals.cc>

<http://www.manual-lib.com>

<http://www.404manual.com>

<http://www.luxmanual.com>

<http://aubethermostatmanual.com>

Golf course search by state

<http://golfingnear.com>

Email search by domain

<http://emailbydomain.com>

Auto manuals search

<http://auto.somanuals.com>

TV manuals search

<http://tv.somanuals.com>