

VM8013

Installation and Operation Manual



160

Watts Peak
Watts en Crête
Vatios el Máximo
40W x 4

TABLE OF CONTENTS

Introduction	1
Installation	1
Wiring	3
Front Panel Release	4
Remote Control	5
Operation	7
Satellite Radio Operation	10
Radio Operation	12
DISC/MP3/WMA Playback	14
Controlling Your iPod	18
Setup Menu	19
Care and Maintenance	20
Troubleshooting	21
Specifications	22

INTRODUCTION

Congratulations on your purchase of the Jensen VM8013 Mobile Multimedia Receiver. It's a good idea to read all of the instructions before beginning the installation. We recommend having your Jensen VM8013 installed by a reputable installation shop.

INSTALLATION

This unit is designed for installation in cars, trucks and vans with an existing radio opening. In many cases, a special installation kit will be required to mount the radio to the dashboard. These kits are available at electronics supply stores and car stereo specialty shops. Always check the kit application before purchasing to make sure the kit works with your vehicle. If you have trouble locating a kit or need installation assistance, contact Technical Support at 1-800-323-4815 from 9:00am to 6:00pm EST Monday through Friday.

Tools and Supplies

The following tools and supplies are needed to install the radio:

- Torx type, flathead and Philips screwdrivers
- Wire cutters and strippers
- Tools to remove existing radio (screwdriver, socket wrench set or other tools)
- Electrical tape
- Crimping tool
- Volt meter/test light
- Crimp connections
- 18 gauge wire for power connections
- 16-18 gauge speaker wire

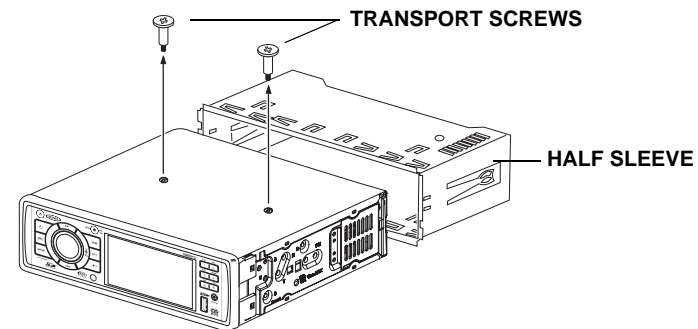
Preparation

1. Disconnect Battery

Before you begin, always disconnect the battery negative terminal.

NOTE: If the VM8013 is to be installed in a car equipped with an on-board drive or navigation computer, do not disconnect the battery cable. If the cable is disconnected, the computer memory may be lost. Under these conditions, use extra caution during installation to avoid causing a short circuit.

2. Remove Transport Screws

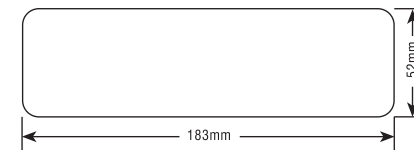


3. Remove Radio from Sleeve

Lift latches on both sides of sleeve to remove half-sleeve from radio.

Mounting Sleeve Installation

1. Slide the mounting sleeve off the chassis. If it is locked into position, use the removal tools (supplied) to disengage it.
2. Check the dashboard opening size by sliding the mounting sleeve into it.

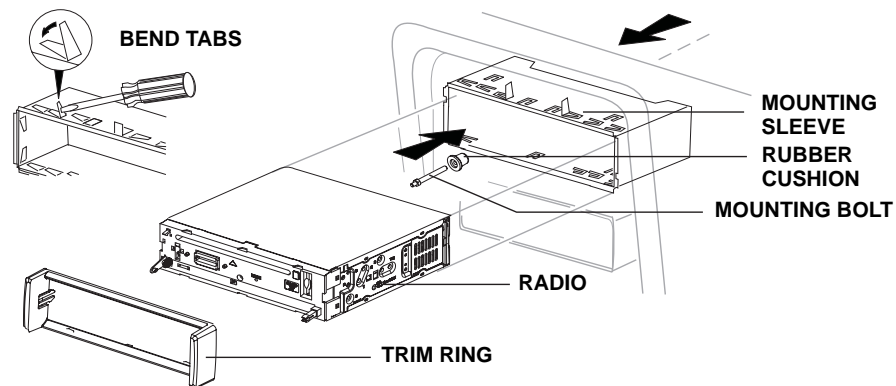
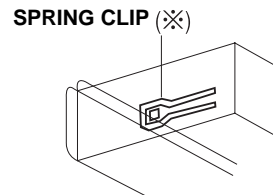


If the opening is too small, carefully cut or file as necessary until the sleeve easily slides into the opening. Do not force the sleeve into the opening or cause it to bend or bow. Check for sufficient space behind the dashboard for the radio chassis.

3. Locate the series of bend tabs along the top, bottom, and sides of the mounting sleeve. With the sleeve fully inserted into the dashboard opening, bend as many of the tabs outward as necessary to firmly secure the sleeve to the dashboard.

CAUTION: For proper operation of the DVD player, the chassis must be mounted within 20° of horizontal. Make sure the unit is mounted within this limitation.

4. Place the radio in front of the dashboard opening so the wiring can be brought through the mounting sleeve. Follow the wiring diagram carefully and make certain all connections are secure and insulated with wire nuts or electrical tape. See "Wiring" on page 3. After completing the wiring connections, turn the unit on to confirm operation (vehicle ignition must be on). If the unit does not operate, re-check all wiring until the problem is corrected.
5. Make sure the radio is right-side up, then carefully slide the radio into the mounting sleeve until it is fully seated and the spring clips lock it into place.
6. Secure the rear of the unit to the car body using the mounting bolt and rubber cushion.
7. Test the radio using the "Operation" instructions that follow.



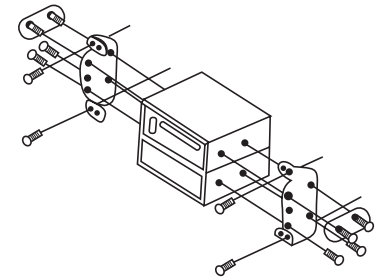
Kit Installation

If your vehicle requires the use of an installation kit to mount this radio, follow the instructions included with the installation kit to attach the radio to the mounting plate supplied with the kit.

1. Wire and test the radio as outlined in the Mounting Sleeve Installation instructions.
2. Install the radio/mounting plate assembly to the sub-dashboard according to the instructions in the installation kit.
3. Replace the dashboard trim panel.

ISO Installation

This unit has threaded holes in the chassis side panels which may be used with the original factory mounting brackets of some vehicles to mount the radio to the dashboard. Please consult with your local car stereo shop for assistance on this type of installation.



1. Remove the existing factory radio from the dashboard or center console mounting. Save all hardware and brackets as they will be used to mount the new radio.
2. Carefully unsnap the plastic frame from the front of the new radio chassis. Remove and discard the frame.
3. Remove the factory mounting brackets and hardware from the existing radio and attach them to the new radio. Do not exceed M5 x 9mm maximum screw size. Longer screws may damage components inside the chassis.
4. Wire the new radio as outlined in the Mounting Sleeve Installation instructions.
5. Mount the new radio assembly to the dashboard or center console using the reverse procedure of step 1.

Fuses

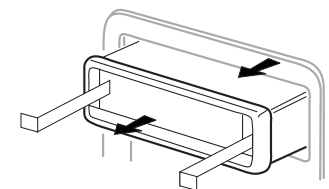
When replacing a fuse, make sure the new fuse is the correct type and amperage. Using an incorrect fuse could damage the radio.

Reconnect Battery

When wiring is complete, reconnect the battery negative terminal.

Removing the Radio

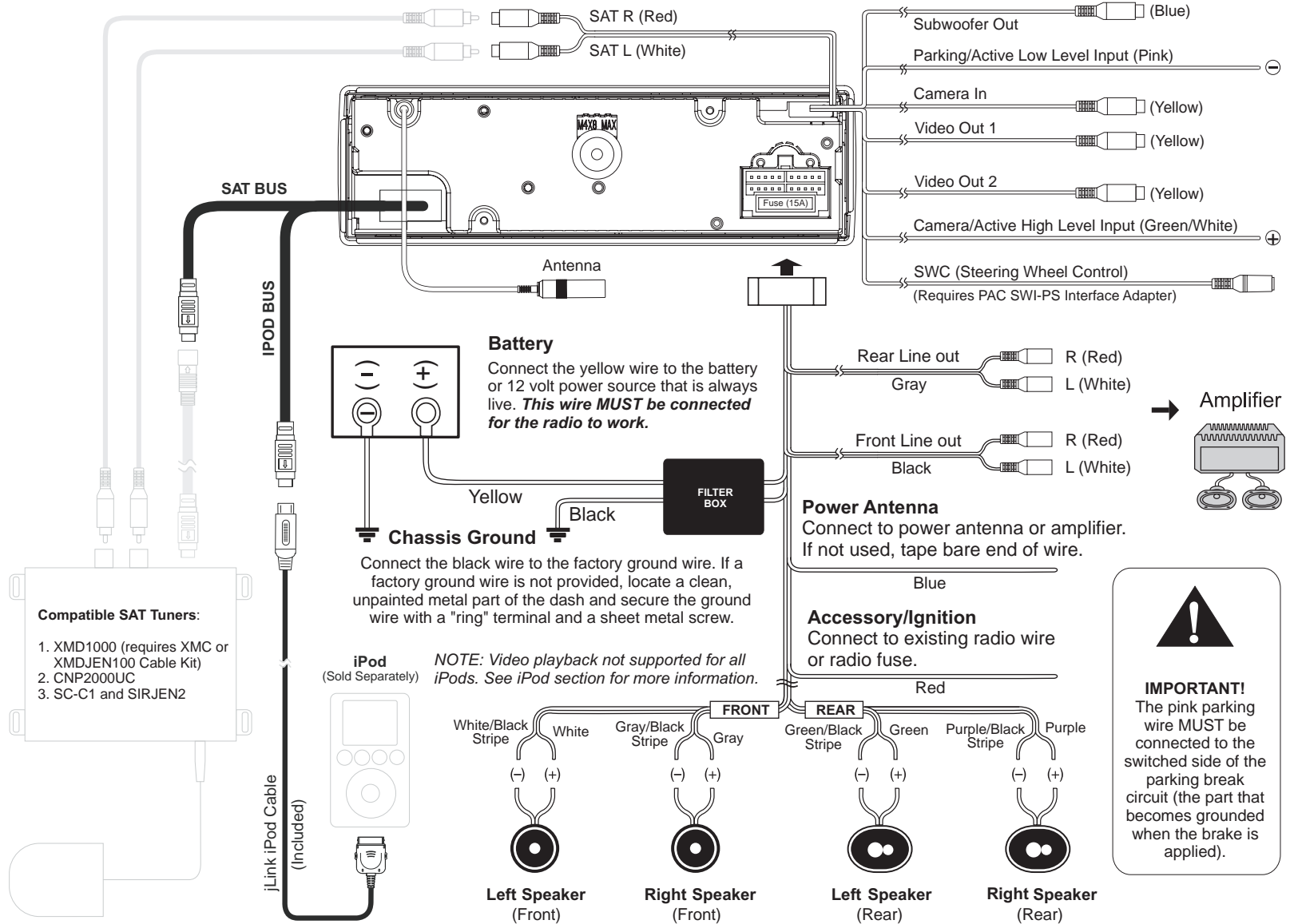
To remove the radio after installation, first remove the face plate. Next, remove the trim ring by firmly grasping one side and pulling. Insert the removal keys straight back until they lock, then pull the radio out. If the removal keys are inserted at an angle, they will not lock properly and will not release the unit.



Technical Assistance

If you require assistance, contact Technical Support at 1-800-323-4815 from 9:00am to 6:00pm EST Monday through Friday.

WIRING



NOTE: The amplifier in this radio is only designed for use with four speakers. Never combine (bridge) outputs for use with two speakers. Never ground negative speaker leads to chassis ground. Failure to wire exactly as shown may cause electrical damage to the radio.

NOTE: Only connect speakers with a nominal impedance of 4 ohms. Speakers with a load impedance less than 4 ohms could damage the unit.

FRONT PANEL RELEASE

The front panel release button (4) releases the mechanism that holds the front panel to the chassis.

Detaching the Front Panel

To detach the front panel, perform the following steps:

1. Press the power button (1) to turn the unit off.
2. Press the front panel release button to flip the panel down.
3. Grasp the right side to release the front panel and then pull it at an angle to remove the right side from the chassis.
4. Store the front panel in the supplied carrying case to protect it from dirt and damage and take it with you to prevent theft.

Re-attaching the Front Panel

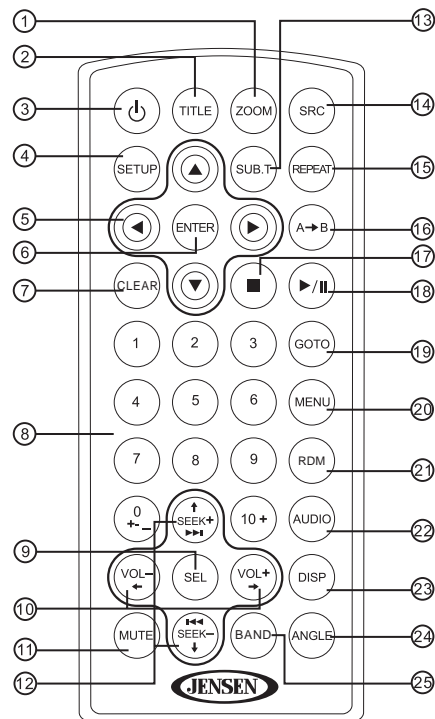
Before re-attaching the front panel, make sure the electrical terminals on the back of the panel are free of dust and dirt, as debris could cause intermittent operation or other malfunctions.

To re-attach the front panel:

1. With the panel laying flat (in the "open" position), insert the left side of the panel in place until correctly engaged.
2. Gently press the right side of the panel until the mechanism locks it into place.
3. Lift upward to close the panel.

REMOTE CONTROL

The remote control will allow you to control the advanced functions of the VM8013.



Operating Range

The remote control sensor (19) is located near the bottom of the front panel, left of the LCD screen. The remote control can operate within a distance of 3~5m.

Replacing the Battery

When the range of operation of the remote control becomes short or stops functioning, replace the battery with a new lithium battery. Be sure to observe the proper polarity, as indicated below.

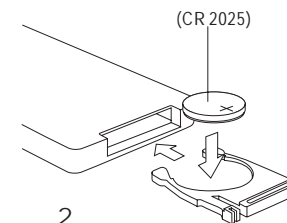
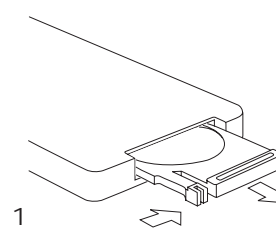
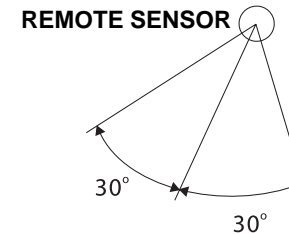


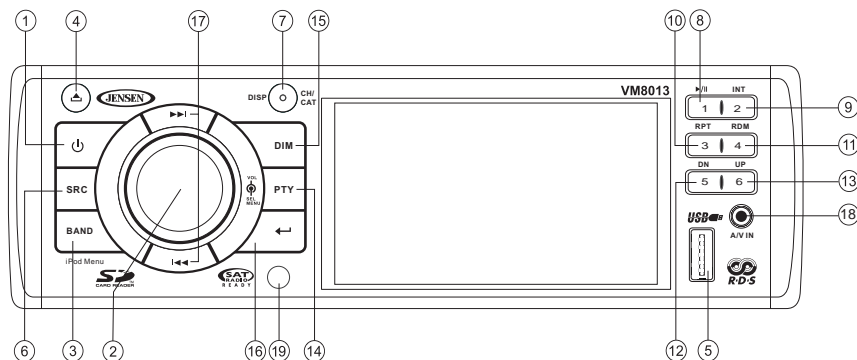
Table 1: Remote Control Functions

#	Button	Tuner	SAT	CD	iPod	DVD
1	ZOOM					Magnify Image
2	TITLE				Select Video Mode	View DVD Title Screen
3	Power	Power On <i>Press and hold</i> to Power Off	Power On <i>Press and hold</i> to Power Off	Power On <i>Press and hold</i> to Power Off	Power On <i>Press and hold</i> to Power Off	Power On <i>Press and hold</i> to Power Off
4	SETUP	Display Setup Menu	Display Setup Menu	Display Setup Menu	Display Setup Menu	Display Setup Menu
5	Navigation Arrows	Down/Up (Left returns to previous menu screen)	Down/Up (Left returns to previous menu screen)	Down/Up (Left returns to previous menu screen)	Down/Up/Left/Right	Left/Right: Fast Reverse/Fast Forward Up/Down: Slow Reverse/Slow Forward
6	ENTER	Confirm Entry	Confirm Entry	Confirm Entry	Confirm Entry	Confirm Entry
7	CLEAR					
8	Direct Entry		Direct Channel Entry		Direct Track Entry	
9	SEL	Audio Mode: Select BAS, TRE, BAL, FAD. <i>Press and hold</i> for System Menu	Audio Mode: Select BAS, TRE, BAL, FAD. <i>Press and hold</i> for System Menu ENTER in Category Mode	Audio Mode: Select BAS, TRE, BAL, FAD. <i>Press and hold</i> for System Menu	Audio Mode: Select BAS, TRE, BAL, FAD. <i>Press and hold</i> for System Menu	Audio Mode: Select BAS, TRE, BAL, FAD. <i>Press and hold</i> for System Menu
10	VOL (Volume Control)	Volume up/down	Select next/previous item in Category Mode	Volume up/down	Volume up/down	Volume up/down
11	MUTE	Silence Audio Output	Silence Audio Output	Silence Audio Output	Silence Audio Output	Silence Audio Output
12	SEEK	Search Next/Previous Channel <i>Press and hold</i> to Scan Channels up/down	Search Next/Previous Channel <i>Press and hold</i> to Scan Channels up/down	Next/Previous Track <i>Press and hold</i> to Fast Forward/Reverse	Next/Previous Track <i>Press and hold</i> to Fast Forward/Reverse	Next/Previous Track <i>Press and hold</i> to Fast Forward/Reverse
13	SUB.T					View/Change Subtitle Language
14	SRC (Source)	Select Playing Mode	Select Playing Mode	Select Playing Mode	Select Playing Mode	Select Playing Mode
15	REPEAT			Repeat Current Track	Repeat Current Track	Repeat Current Chapter
16	A-B Repeat			Repeat Section		Repeat Section
17	Stop/Return			Stop/Return	Stop/Return	Stop/Return
18	Play/Pause			Play/Pause	Play/Pause	Play/Pause
19	GOTO Search			GOTO Specific Area of Disc		GOTO Specific Area of Disc
20	MENU				Return to Previous Menu	View DVD Setup Menu PBC for VCD 2.0 and up
21	RDM			Play all Tracks in Random Order	Play all Tracks in Random Order	Play all Chapters in Random Order
22	AUDIO				Select Audio Mode	View/Change disc Audio Language
23	DISP	<i>Press and hold</i> to set clock	Display Direct Entry Menu <i>Press and hold</i> to set clock	<i>Press and hold</i> to set clock	<i>Press and hold</i> to set clock	<i>Press and hold</i> to set clock
24	ANGLE					Show alternate angles, if available
25	BAND	Select Band (AM1, AM2, FM1, FM2, FM3)	Select Band (SAT1, SAT2, SAT3)			Select PAL, NTSC, AUTO

OPERATION

Power

Press the ϕ (power) button (1) to turn the unit on. *Press and hold* the power button again to turn the unit off.



NOTE: LCD panels may take longer to respond when subjected to cold temperatures for an extended period of time. In addition, the visibility of the numbers on the LCD may decrease slightly. The LCD display will return to normal when the temperature increases to a normal range.

Source

Press the **SRC** button (6) repeatedly to scan the various sources. A source is only displayed when accessible (optional equipment required for some sources). Available modes include Radio (FM1, FM2, FM3, AM1, AM2), SAT, DISC, SD, USB, and auxiliary (AUX IN).

External Devices

External peripheral devices, including a game console, camcorder, navigation unit, iPod, Zune, etc. can be connected to the **AUX IN** connector (18) on the front of this unit using the 3.5mm A/V Media Cable (included). Select "SOURCE >> AUX IN" to access auxiliary devices. You cannot directly control external devices connected to the AUX IN input.

Audio Mute

Press the ϕ (power) button (1) to silence the audio volume. "M" appears on the display. Press ϕ (power) again to restore volume to the previous setting.

Volume Control

To increase the volume, turn the **VOL/SEL/MENU** (rotary encoder) (2) clockwise. To decrease the volume, turn the rotary encoder counter-clockwise. When volume is adjusted, the volume level will be shown on the display panel as a number ranging from "0" (lowest) to "40" (highest).

SWC Interface (Optional)

The VM8013 is compatible with PAC (Pacific Accessory Corporation) adapter SWI-PS steering wheel control interface. A 3.5mm female connector (labeled SWC Interface) on the back of the head unit is used to connect to the SWI-PS adapter. When the SWI-PS is installed, the following functions are available:

1. Vol +
2. Vol -
3. Mute
4. Seek +
5. Seek -
6. SRC (Source)
7. Band

Audio Menu

Press the **VOL/SEL/MENU** button (2) to access the audio menu. Press the **VOL/SEL/MENU** button repeatedly to move through the list of menu options.

NOTE: Audio settings only apply to the current source (Source Tone Memory). You must make audio adjustments for another source when that source is active.

- Sub_w: When the Low Pass Filter is activated (see "Menu Operation" on page 8), you can use the **VOL/SEL/MENU** rotary encoder to adjust the subwoofer volume from "-14" to "0".
- BASS: Turn the **VOL/SEL/MENU** rotary encoder (2) to adjust the bass level from "+7" to "-7".
- TREBLE: Turn the **VOL/SEL/MENU** rotary encoder to adjust the treble level from "+7" to "-7".
- BALANCE: Turn the **VOL/SEL/MENU** rotary encoder to adjust the balance from "R7" (full right) to "L7" (full left).
- FADER: Turn the **VOL/SEL/MENU** rotary encoder to adjust the fader from "F7" (full front) to "R7" (full rear).

The unit automatically saves your changes and exits the audio control menu after five seconds of inactivity.

Menu Operation

Press and hold the **VOL/SEL/MENU** button (2) for more than two seconds to access the menu. Press the **VOL/SEL/MENU** button to move through the following menu options: Equalizer, Loud Set, Beep Set, 12/24 Mode (clock), Mirror Image, Vol Mode, A-VOL, Sub LPF and Area Set. The following procedures assume you have already accessed the menu.

Equalizer

The Equalizer function applies preset sound effects to the unit's audio output signal. Turn the rotary encoder to select from the following equalizer options: "Off", "Rock", "Hip Hop", "Dance" and "Acoustic". With the equalizer function activated, if bass or treble is adjusted, the EQ Mode will revert to "Off".

When the equalizer function is activated, the most recently selected bass/treble levels cannot be adjusted. When the equalizer function is not active, the unit will return to the most recently selected bass and treble levels.

Loud Set

When listening to music at low volumes, this feature will selectively boost certain bass and treble frequencies. "Off" is the default setting. Turn the rotary encoder to select "On".

Beep Set

The beep tone feature allows the selection of an audible beep tone to be heard each time the menu is accessed. "On" is the default setting. Turn the rotary encoder to select "Off".

12/24 Mode

This option allows selection of a 12 hour or 24 hour clock format. "12 Hours" is the default setting. Turn the rotary encoder to change to the 24 hour clock format.

Mirror Image

This option allows for selection of a mirror image view when a rear view backup camera (sold separately) is connected to the CAMERA IN input on the back of the radio. Turn the rotary encoder to select "On" or "Off".

Vol Mode

Turn the rotary encoder to select "Last" or "Adjust".

- Last: When the unit is turned on, the volume will resume at the level selected when last turned off.
- Adjust: If choosing "Adjust", use the A-VOL setting to specify a turn-on volume.

Turn-On Volume (A-VOL)

After selecting "Adjust" for Vol Mode, press the **VOL/SEL/MENU** button to access the A-VOL setting and then turn the rotary encoder to select the desired turn-on volume level. When this option is selected, the unit will revert to the adjusted volume each time the unit is turned on.

Sub LPF (Low Pass Frequency)

After connecting a subwoofer to the back of the unit, turn the rotary encoder to select a crossover frequency: OFF, 80, 120 or 160Hz.

Area Set

This option allows you to select the appropriate frequency spacing for your area. "U.S.A." is the default setting. Turn the rotary encoder to select "EUROPE". The unit will turn off and reset when the Area is changed.

Dimmer

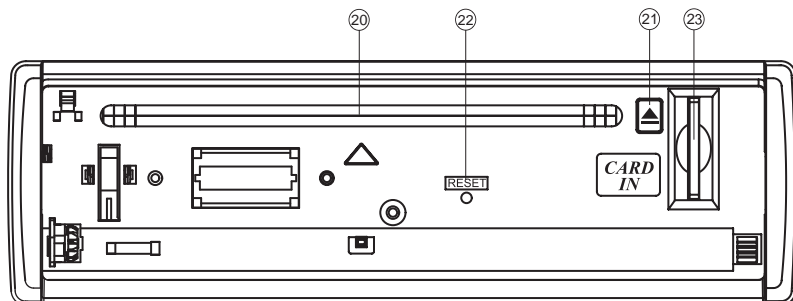
Press the **DIM** button (15) on the front panel to dim the screen by 1/2. Press again to darken the screen completely. Press a third time to resume full brightness.

Clock Set

1. Press and hold the **DISP** button (7) until the clock blinks.
2. Turn the **VOL/SEL/MENU** rotary encoder (2) to set the minutes.
3. Press the **VOL/SEL/MENU** button (2) to confirm and move to the hour field.
4. Turn the **VOL/SEL/MENU** rotary encoder to set the hour.
5. Press the **DISP** button to set the clock and exit the clock set function.

Reset Button

The **RESET** button is located behind the front panel and can only be accessed with the front panel opened. Resetting the unit will erase the time and preset memories. It should only be activated upon initial installation after all wiring is complete, or if there is a malfunction of any of the switches on the unit. In these circumstances, pressing the **RESET** button (22) will clear the system and return the unit to default operation.



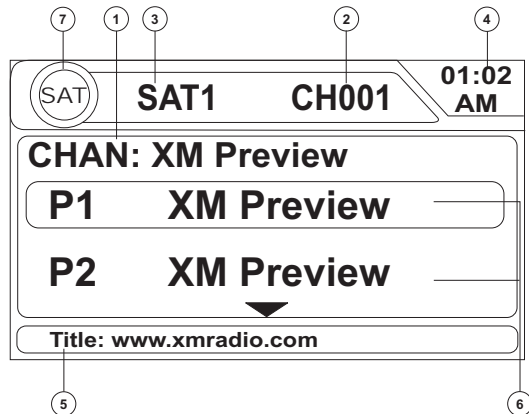
SATELLITE RADIO OPERATION

Listeners can subscribe to XM® Radio on the Web by visiting www.xmradio.com, or by calling (800) 967-2346. Customers should have their Radio ID ready (see “Displaying the Identification (ID) Code”). Customers can receive a limited number of free-to-air channels without activation.

Listeners can subscribe to Sirius® Radio on the Web by visiting www.sirius.com, or by calling (888) 539-SIRIUS. Customers should have their Sirius ID ready (Sirius ID is located on the Satellite Radio Tuner, sold separately). Customers can listen to music samples by tuning to channel 184.

Accessing Satellite Radio Mode

Press the **SRC** button (6) on the front panel or remote control (14) to switch to the SAT source.



1. SAT Channel Name
2. SAT Channel Number
3. SAT Band
4. Time/Clock
5. Artist and Title Information
6. Current Preset Channels
7. Source Indicator

Displaying the Identification (ID) Code

Before you listen to satellite radio, you must subscribe to the service using your radio's identification number. To display the radio ID, press the **DISP** button three times or use the **|<<** tuning button (17) to tune to channel “000”. The screen displays the radio ID where the channel name is usually displayed.

Select a Band

Press the **BAND** button (3) to change between three SAT bands (SAT1, SAT2 and SAT3). Each band stores up to six preset stations.

Selecting a Station

Press the **>>|** or **|<<** tuning button (17) to tune to another station.

Preset Mode

Six numbered preset buttons store and recall stations for each band. The stored stations (P1-P6) for the current band can be viewed on the screen. Use the remote control up/down arrow buttons (5) to scroll through the preset station list.

Storing a Station

1. Select a band (if needed), then select a station.
2. *Press and hold* a preset button (numbers 1-6) on the front panel or remote control.
3. The preset number and station is displayed and highlighted.

Recalling a Station

1. Select a band (if needed).
2. Press a front panel or remote control preset button (numbers 1-6) to select the corresponding stored station.

Channel Search

To access Channel Search mode, press the **DISP** button (7). The list of all available channels appears on the screen.

1. Rotate the **VOL/SEL/MENU** rotary encoder (2) on the control panel or press the up/down arrow keys (5) on the remote control to navigate the list of channels.
2. Press the **VOL/SEL/MENU** button on the control panel or the **ENTER** button (6) on the remote control to select a channel.

Category Search

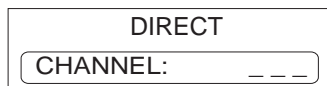
1. To access Category Search mode, press the **DISP** button (7) twice. The list of available categories appears on the screen.



2. Rotate the **VOL/SEL/MENU** rotary encoder (2) on the control panel or press the up/down arrow keys (5) on the remote control to navigate the list of categories.
3. Press the **VOL/SEL/MENU** button on the control panel or the **ENTER** button (6) on the remote control to select the desired category. A list of stations in the selected category appears on the screen.
4. Rotate the **VOL/SEL/MENU** rotary encoder on the control panel or press the up/down arrow keys on the remote control to navigate the list of stations in the selected category.
5. Press the **VOL/SEL/MENU** button on the control panel or the **ENTER** button (6) on the remote control to select a station.

Direct Channel Input

To enter a radio station directly, press the **DISP** button on the front panel (7) or remote control (23) three times to display the DIRECT channel input screen.

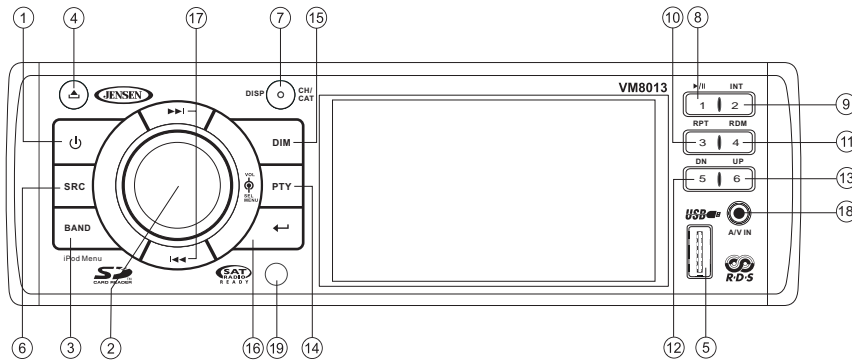


Enter the desired radio station using the remote control number pad (8) followed by the **ENTER** button, or perform the following steps:

1. Turn the **VOL/SEL/MENU** rotary encoder to select the third digit of the desired channel (0-9).
2. Press the **VOL/SEL/MENU** button to enter the number and move to the second position.

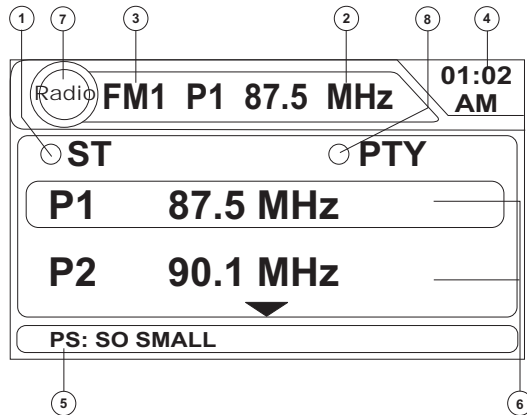
3. Turn the rotary encoder again to select the second digit of the desired channel (0 - 9).
4. Press **VOL/SEL/MENU** to enter the second number and move to the first position. (*Press and hold* if channel is only 2 digits and you are ready to tune to the channel.)
5. Turn the rotary encoder again to select the first digit of the channel you want to tune to (0 - 2).
6. Press the **VOL/SEL/MENU** button to tune to the selected station.

RADIO OPERATION



Accessing Radio Mode

Press the **SRC** button (6) on the front panel or remote control (14) to switch to the RADIO source.



1. Stereo Reception Indicator
2. Radio Station Frequency
3. AM/FM Band
4. Time/Clock
5. RDS Information
6. Current Preset Channels
7. Source Indicator
8. PTY Indicator

Select a Band

Press the **BAND** button (3) to change between three FM and two AM bands. Each band stores up to six preset stations.

Tuning

Seek Tuning

Press the **TUNE/TRACK** >>| or <<| buttons (17) to seek the next/previous station automatically.

Manual Tuning

Press and hold the **TUNE/TRACK** >>| or <<| buttons (17) to enter Manual tuning mode. Press the buttons again to move the radio frequency number up or down one step.

Program Information

To view available program information, press the **PTY** button (14) on the control panel. Press repeatedly to choose between Program Type (PTY) category, Program Service station call letters (PS), and Radio Text (RT).

PTY Search

To view the Program Type categories, *press and hold* the **PTY** button (14) on the control panel. Program type categories are listed, allowing listeners to find similar programming by genre. Press the **TUNE/TRACK** >>| or <<| buttons (17) to select a category. After a few seconds, the radio will start scanning for stations broadcasting in the selected category.

Preset Stations

Up to six stations on each band can be stored as presets, which can then be instantly recalled by pressing the associated preset button (8-13). To store a station, turn the radio on and select the desired band and station. *Press and hold* the desired preset button (numbered one through six on the face of the radio or remote control) for more than two seconds. When stored, the preset number will appear in the display. The station is now stored and can be recalled by pressing the corresponding preset button. Repeat for the remaining five presets on the current band and for presets on the other four bands.

Preview Scan

Press the ← button (16) to scan and play all strong stations for 5 seconds each. Press ← again to stop scanning and play the current station.

Automatic Store (AS)

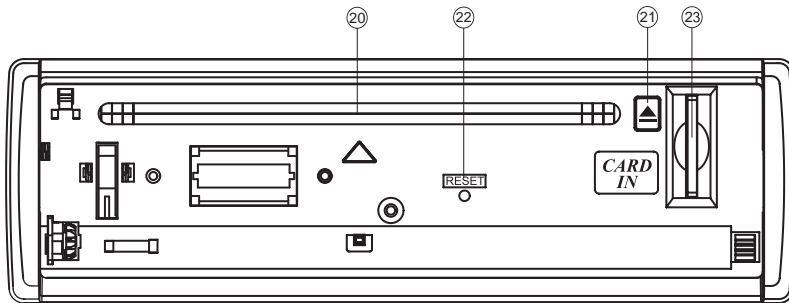
Press and hold the ← button (16) to select six strong stations and store them in the current band using the Auto Store feature. After entering the stations into memory, the unit will automatically stop at each station for five seconds, allowing you to preview each selection. When using the Auto Store feature, the new stations replace any stations already stored in preset memory.

NOTE: You can stop the Auto Store function at any time by pressing the ← button again.

DISC/MP3/WMA PLAYBACK

Inserting and Ejecting a Disc

Press the (4) to flip the front panel down. Insert a disc, label side up, into the disc slot (20).

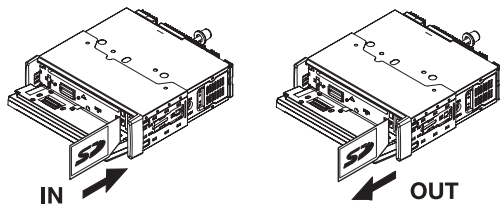


To stop disc play and eject the disc, press the to flip the front panel down and then press the eject button (21).

NOTE: The unit is designed for play of standard 5" (12 cm.) discs only. Do not attempt to use 3" (8 cm.) CD singles in this unit, either with or without an adaptor, as damage to the player and/or the disc may occur. Such damage will not be covered by the warranty on this product.

Loading an SD Card

Open the panel and insert the SD card into the SD Card slot (23). Close the panel and the unit will read the files on the card automatically.



To remove the card, first press the **SRC** button (6) to switch to another mode and stop SD playback. Press the SD card to pop it out, then remove the card.

Loading a USB Device

Insert the USB device into the USB connector (5) on the front of the unit. The unit will read the files on the USB device automatically.

To remove the USB device, press the **SRC** button (6) to switch to another mode and then remove the USB device from the USB connector.

Notes on MP3/WMA Play

MP3 and WMA (Windows Media Audio) music files are digital audio files that are compressed to allow more files to be stored. This unit can play MP3/WMA and video directly from files contained on a CD-R/RW, DVD-ROM, DVD+RW, DVD-RW, DVD+R, DVD-R and DVD-VIDEO, or an SD card or USB Device using the buttons on the receiver (or remote control) as described below.

Many types of software are available for converting audio files into MP3/WMA formats. Jensen recommends *Nero* or *Roxio Easy CD Creator*.

This unit can play MP3 (MPEG1, 2, 2.5 Audio Layer 3). However, the MP3 recording media and accepted formats are limited. When writing MP3/WMA, pay attention to the following restrictions.

Acceptable Media

The MP3/WMA recording media acceptable to this unit are CD-ROM, CD-R, CD-RW, and DVD. The unit will also play MP3, WMA, or photo files written to SD Cards, USB Devices.

Depending on the media type and recording method, some CD-R/RWs may be incompatible with this unit. When using CD-RW, use full format rather than quick format to prevent malfunction.

This unit supports playback of MP3/WMA and CDDA (CDA), Mixed-Mode CDs and CD-Extra (including multi-session discs). Discs on which the session has not been closed will not play.

NOTE: This unit supports FAT 16 and FAT 32 file systems. The unit supports USB 1.1 only, but will play USB 2.0 devices at USB 1.1 speed.

Acceptable Medium Formats

The following formats are available for the media used in this unit. The maximum number of characters used for file name, including the delimiter (".") and three-character extension, are indicated in parentheses.

- ISO 9660 Level 1 (11 characters)
- ISO 9660 Level 2 (31 characters)
- Joliet (31 characters)
- Romeo (31 characters)

Up to 200 characters can be displayed in the long file name format. For a list of available characters, see the instruction manual of the writing software and the section "Entering File and Folder Names" that follows. The media reproducible on this unit has the following limitations:

- Maximum number of nested folders: 8
- Maximum number of files per disc: 1500
- Maximum number of folders per disc: 255

MP3/WMA files written in formats other than those listed above will not play successfully and their file or folder names will not display properly.

MP3/WMA Encoder and CD Writer Settings

Use the following settings when compressing audio data with the MP3 encoder.

- Transfer bit rate: 8 - 320 kbps
- Sampling frequency: 8, 11.025, 12, 16, 22.05, 24, 32, 44.1, 48 kHz

When using a CD writer to record MP3/WMA up to the maximum disc capacity, disable additional writing. To record an empty disc up to the maximum capacity at once, select the "disc at once" option.

Entering ID3 Tag

This unit supports ID3 tag version 2.0. For character codes, refer to the table to the right.

Entering File and Folder Names

Names using the code list characters are the only file names and folder names that can be entered and displayed. Using any other character will cause the file and folder names to be displayed incorrectly. The unit recognizes and plays only files with the MP3/WMA extension.

	0	1	2	3	4	5	6	7	8	9	A	B	C	D	E	F
0				0	@	P	.	p			■	°	À	Ð	à	đ
1		!	1	A	Q	a	q				i	±	Á	Ñ	á	ñ
2		"	2	B	R	b	r				ç	²	Â	Ó	â	ó
3		#	3	C	S	c	s				£	³	Ã	Ô	ã	ô
4		\$	4	D	T	d	t				¤	µ	Ä	Õ	ä	õ
5		%	5	E	U	e	u				¥	¶	Å	Ö	å	ö
6		&	6	F	V	f	v				¦	·	Æ	Ø	æ	ø
7		'	7	G	W	g	w				§	¸	Ç	×	ç	±
8		(8	H	X	h	x				¸	†	È	Ù	è	ù
9)	9	I	Y	i	y				©	¹	É	Ú	é	ú
A		*	:	J	Z	j	z				ª	º	Ê	Û	ê	û
B		+	;	K	[k	{				»	»	Ë	Ü	ë	ü
C		<	,	L	\	l					¼	¼	Ì	Ý	ì	ý
D		-	=	M]	m	}				½	½	Í	ÿ	í	ÿ
E		.	>	N	^	n	~				¾	¾	Î	ï	î	ï
F		/	?	O	_	o	■				¸	¸	Ï	ÿ	ï	ÿ

NOTE: A file name entered with characters not on the code list may not play correctly.

Electronic Shock Protection

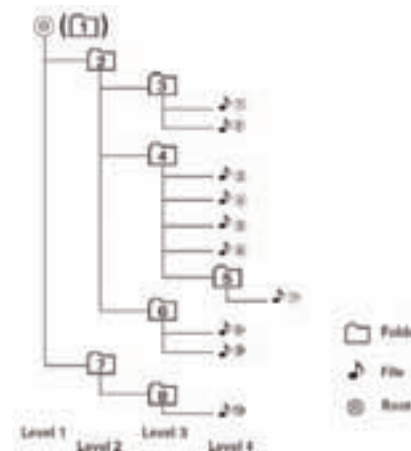
- 10 seconds for CD-DA (CDA)
- >45 seconds for MP3 recorded at 44.1kHz, 128kbps
- >90 seconds for WMA recorded at 44.1kHz, 128kbps

Bit Rates

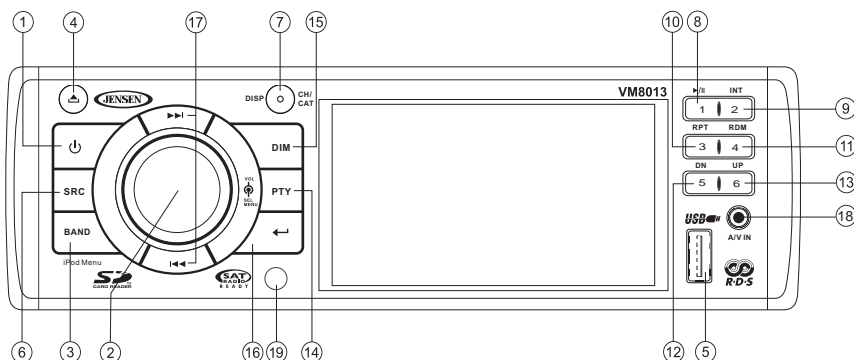
The unit supports bit rates from 32 - 320 kbps.

MP3 Playing Order

When selected for play, files and folders (Folder Search, File Search or Folder Select) are accessed in the order in which they were written to the media. As a result, the order in which they are expected to be played may not match the order in which they are actually played. You may be able to set the order in which MP3/WMA files are to be played by assigning file names beginning with play sequence numbers such as "01" to "99". For example, a medium with the following folder/file hierarchy is subject to Folder Search, File Search or Folder Select as shown below.

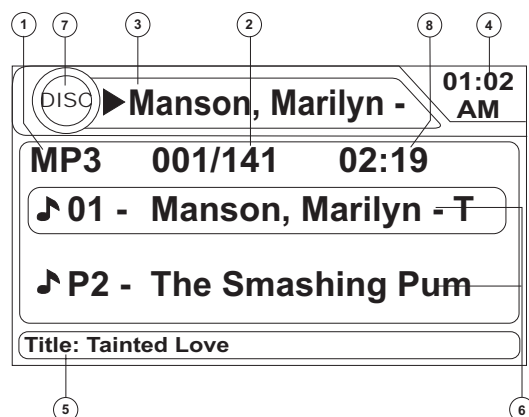


The VM8013 player will only recognize three folder levels and does not display folders containing only other folders. In the example above, the unit will display folders 3, 4, 6, and 8, but not 2 and 7 since they do not contain any tracks directly. Folder 5 is not recognized at all since it is at the fourth level.



Changing the Source

If a disc is already in the disc slot but is not playing, press the **SRC** button (6) on the front panel or remote control (14) to switch to the DISC source. To play files from an SD or USB that is already inserted, choose the CARD or USB source. The MP3 playback screen is indicated below:



1. CD/MP3/WMA Indicator
2. Current of Total Tracks
3. Current Track Title
4. Time/Clock
5. ID3 Artist and Title Information (MP3/WMA only)
6. Songs on Disc
7. Source Indicator
8. Elapsed Playing Time for Current Song

Controlling Disc or File Playback

Pause

Press the 1/>|| button (8) to suspend playback. Press the 1/>|| button again to resume playback.

Track Select

Press the **TUNE/TRACK** >>| or |<< buttons (17) for less than one second to advance to the next track/file. The selected track number will appear on the display.

NOTE: Press the **BAND** button on the front panel (3) or remote control (25) to return to the previous menu or folder level.

Fast Forward/Reverse

Press and hold the **TUNE/TRACK** >>| or |<< buttons (17) or the ▶/◀ buttons on the remote control to fast forward or fast reverse. Press and hold once for 2X. Press and hold additional times for 4X, 8X, 20X or PLAY. Press the play/pause >|| button (8) to end fast forward or reverse and resume normal playback.

Intro Scan (INT)

During playback, press the **2/INT** button (9) to select "INTRO" and play the first 10 seconds of each track/file, as indicated by the ⏮ symbol. When the desired track is reached, press **2/INT** again to end the scan and play the selected track.

Repeat (RPT)

Press the **3/RPT** button (10) multiple times during playback to select from the following repeat play options:

- VCD/CD: RPT ONE (track), RPT ALL (disc), RPT OFF
- DVD: RPT CHAPTER, RPT TITLE, RPT OFF
- MP3/WMA: Repeat File, Repeat Directory/Folder, Repeat All (disc), Repeat Off

Random (RDM)

Press the **4/RDM** button (11) during playback to select "RANDOM" and play all tracks/files in random, shuffled order. Press **4/RDM** again to stop random play.

Section Repeat (A-B)

To repeat a specified section of a track, perform the following steps:

1. Press the **A->B** button (16) on the remote control to select the starting point. The display will show "REPEAT A-".
2. Press **A->B** when you reach the desired ending point. The display shows "REPEAT A-B" and the selected section will play repeatedly.

To cancel section repeat, press the **A->B** button again. "A-B CANCEL" appears on the display.

GOTO Track Time Access

Use the GOTO function to access a specific position on a track directly.

1. Press the **GOTO** button (19) on the remote control. The Search (Time --:--:--) window will appear.
2. Use the number keys (8) on the remote control to enter the exact time on the current track from which you would like playback to begin.
3. Press the **ENTER** button to confirm and begin playback from the selected track time.

VCD PlayBack Control (VCD Only)

If you insert a VCD with playback control, playback automatically starts at the beginning of the first track. Press the **MENU** button (20) on the remote control to turn playback control on/off.

Additional DVD/Video Playback Features

NOTE: You cannot view video while driving the car. When attempting to view video while the parking break is not engaged, the following message will appear on the screen: WARNING !! Engage Parking Brake to View Video.

The following remote control features are available during DVD playback:

- **AUDIO:** Press to choose an alternate audio language, if available. This button may also show different surround sound options encoded on the DVD.
- **SUB-T:** Press to select an alternate subtitle language, if available.
- **TITLE:** Press to display the title or chapter list. Use the **▲**, **▼**, **◀** or **▶** cursor buttons or the numeric buttons to enter a title or chapter number, and then press **ENTER** to play.
- **ANGLE:** Press to select an alternate viewing angle, if available.
- **ZOOM:** Press to zoom the picture at X2, X3, X4, X1/4, X1/2, or select OFF to return to normal view.
- **Slow Forward/Slow Reverse:** Press the **▲/▼** buttons on the remote control or the 5/6 buttons (10, 13) on the control panel to slow rewind/slow reverse. Press once for 1/2 speed. Press additional times for 1/4, 1/6, or 1/8 speed. Press the play/pause **>||** button (8) to end fast forward or reverse and resume normal playback.

NOTE: Feature availability is dependent on DVD embedded information.

NOTE: The VM8013 does not support Surround Sound decoding.

CONTROLLING YOUR iPod

The unit will automatically switch to iPod mode when an iPod is plugged into the iPod cable. To return to the iPod screen from any other source, press the **SRC** button on the front panel (6) or remote control (14) and select SOURCE >> iPod. After switching to iPod source, the iPod menu appears on the screen.

NOTE: Be sure your iPod has the latest Apple firmware installed to avoid connectivity issues.

The following remote control buttons are used to access the iPod menus:

Menu	Remote Control
Music	AUDIO
Photos/Videos	TITLE

Use the navigation arrows on the remote control (5) or the **5 DN/6 UP** buttons on the control panel to navigate the iPod menus. Press the **ENTER (←)** button on the front panel (16) or remote control (6) to select the highlighted menu option.

iPod Music Playback

The iPod music menu is automatically accessed when an iPod is connected to the unit or the source is changed to iPod while the iPod is connected.

- Press the **> ||** button on the front panel (8) or remote control (18) to play or pause the selected track.
- Press the **>>|** button on the front panel (17) or remote control (12) to play the next file.
- Press the **|<<** button on the front panel (17) or remote control (12) to return to the beginning of the current song.
- Press the **ENTER (←)** button on the front panel (16) or remote control (6) to select the highlighted menu option.
- Press the **BAND** button on the front panel (3) or remote control (25) to return to the previous menu.

Fast Forward/Fast Reverse

Press and hold the **|<<** or **>>|** buttons on the control panel (17) or remote control (12) for 1 second and continue to hold for fast forward or fast reverse. Release to resume normal playback.

Photo/Video Playback

While iPod photos and videos can be viewed on the VM8013 screen, you must use the iPod to control photo and video playback options.

Press the **TITLE** button (2) on the remote control and the VM8013 will release control back to the iPod so you can select video media to be displayed on the TFT monitor. To return to iPod music mode, press the **PTY** button (14) on the front panel or the **AUDIO** button (22) on the remote control.

You can also *press and hold* the **PTY** button on the front panel to access photo/video playback from the iPod to the radio TFT screen.

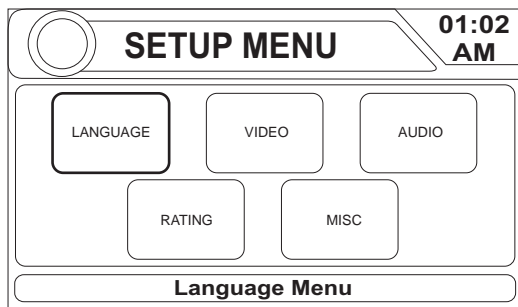
NOTE: Video playback requires Gen 5.5 or earlier Photo or Video iPod. iPod Touch, iPod Classic, and iPod Nano with video will only play music files.

NOTE: To transmit the video from your iPod to the VM8013 screen, you must set the following options through the iPod video settings menu: TV Out = On, TV Signal = NTSC, and Widescreen = On.

NOTE: After disconnecting your iPod, the VM8013 will always return to the last mode accessed when the iPod is plugged back into the unit.

SETUP MENU

During disc play, press the **SETUP** button (4) on the remote control to access the SYSTEM SETUP menu.



Use the ▲, ▼, ◀ or ▶ cursor buttons to choose between LANGUAGE, VIDEO, AUDIO, RATING or MISC setup options.

Table 1: System Setup Menu

LANGUAGE MENU		
OSD language	English	Select the appropriate on-screen language for the DVD
	Espanol	
Subtitle	English	Choose the language you would like subtitles to appear in (if available)
	French	
	Spanish	
	Portuguese	
	German	
	Off	Turn subtitles off
DVD menu	English	Choose the language you would like DVD menu to appear in (if available)
	French	
	Spanish	
	German	
	Portuguese	
VIDEO MENU		
Aspect Ratio	4:3	Image is presented with 4:3 aspect ratio.
	16:9	Image is presented in wide view with a 16:9 aspect ratio.

Table 1: System Setup Menu

Video Format	NTSC	The color signals are output in the standard NTSC format.
	PAL	The color signals are output in the standard PAL format.
	AUTO	The color signal output is switched automatically based on the current video input signal - NTSC or PAL.
Smart Picture	Standard	
	Bright	
	Soft	
AUDIO MENU		
Audio Menu	English	Select the appropriate audio language for the DVD.
	French	
	Spanish	
	German	
	Portuguese	
RATING MENU		
Set Password	----	Enter a 4-digit password to activate the "Rating" feature. The original password is "0000" and must be entered before you can change the password to a different 4-digit code.
Parental CTR	1 KID SAFE	Select the appropriate rating level for the intended audience. You may override higher ratings by using your password.
	2 G	
	3 PG	
	4 PG13	
	5 PG-R	
	6 R	
	7 NC-17	
8 ADULT		
MISC MENU		
Use Default Settings	Yes/No	Select "Yes" to restore the factory default settings for the Rating system only.

CARE AND MAINTENANCE

DVD Player

The following guidelines will help you extend the life of your DVD player:

1. When cleaning the vehicle interior, do not get water or cleaning fluids on the unit.
2. The DVD player will not operate properly in extreme hot/cold or under damp conditions. In case of such conditions, wait until the vehicle interior reaches a normal temperature or any condensation on the disc player lens has evaporated before using the player.
3. Always remove the disc when the player is not in use.
4. The unit is designed with a vibration dampening disc mechanism to minimize interruption of disc play due to normal vibration in a moving vehicle. However, occasional sound skips may occur when driving on very rough roads. This will not scratch or damage the disc, and normal play will resume when the rough conditions cease.

CD-R and CD-RW Capability

Depending on media type and method of "recording/burning", some CD-R/RWs may be incompatible with this unit. After "recording/burning", the session **must be closed**. Please refer to your software's recommended procedures for closing a disc/session. Review your recording software to familiarize yourself with the correct "recording/burning" procedures. We recommend using the latest versions of ROXIO™ or NERO™ burning software.

In addition, this unit will only recognize the CDDA (Compact Disc Digital Audio), .MP3 and .WMA formats "recorded / burned" onto a CD-R/RW. **This unit does not support .WAV, .OGG or other formats.**

Disc Care and Handling

Dirt, dust, scratches and warpage can cause skips in the playback and deterioration of sound quality. Please follow these guidelines to take care of your compact discs.



1. Do not touch the disc surface.
2. Never use chemicals such as record sprays or household cleaners to clean discs, as they can irreparably damage the disc's surface.
3. Discs should be kept in their storage cases when not in use.
4. Do not expose discs to direct sunlight, high temperatures or high humidity for long periods.
5. Carefully wipe fingerprints, dust and dirt from the disc's playing surface with a soft cloth. Wipe in a straight motion from the inside to the outside of the disc.
6. **Do not stick paper, tape or disc labels on disc surfaces, as internal damage may occur.**

TROUBLESHOOTING

Problem	Cause	Corrective Action
Does not operate (display does not light)	No power to yellow wire; no power to red wire	Check connection with test light; check vehicle fuse with test light
	Fuse blown	Replace fuse
No power to unit	Fuse blown	Check/replace fuse
No/low audio output	Improper audio output connection	Check wiring and correct
	Volume set too low	Increase volume level
	Speakers damaged	Replace speakers
	Heavily biased volume balance	Adjust the channel balance to the center position
	Speaker wiring is in contact with metal part of car	Insulate all speaker wiring connections
Blows fuses	Power wire shorting to ground	Make sure wire is not pinched
	Speaker wires shorting to ground	Make sure wire is not pinched
	Incorrect fuse; fuse too small	Install fuse of correct rating
No image	Incorrect connection to parking brake wire	Check Parking SW wiring and correct
	Parking SW is connected but parking brake is not engaged	Stop vehicle in safe place and apply parking brake
Flashing image or interference appears on screen	DVD is not compatible with current TV system settings	Change setup to accommodate disc
	Improper video signal connections	Check wiring and correct
Prolonged image or improper height/width ratio display	Improper aspect ratio setup	Use correct ASPECT RATIO setting
Disc does not play back	Disc is warped or scratched	Use disc in good condition
	Disc is dirty or wet	Clean disc with soft cloth
	Laser pickup is dirty	Clean laser pickup with cleaning disc
	Incompatible disc is used	Use compatible disc
	Disc rating exceeds RATING limit	Change RATING settings to lower restriction
	Disc region code is not compatible with unit	Use disc with proper region code
	Disc is inserted upside down	Insert disc with label side up
Image blurred, distorted, or dark	Disc is illegally copied	Use original disc

SPECIFICATIONS

CEA Power Ratings



Power Output13 watts RMS X 4 channels into 4-ohms @ < 1% THD+N
 Signal to Noise Ratio 70dBA below reference (reference: 1 watt, 4-ohms)
 Frequency Response20Hz to 20kHz (-3dB), Auxiliary input used as source reference
 Reference Supply Voltage 14.4VDC

DVD/CD Player

Compatible Disc Media DVD + R / RW and CD-R / RW
 Compatible Media Formats CD-DA, MP3, WMA, VCD, SVCD, AVI,
 MPEG1 / 2, XviD and Kodak picture CD (JPEG)
 Signal to Noise Ratio >95dBA
 Dynamic Range >95dB
 Frequency Response 20Hz to 20 kHz, -3dB
 Channel Separation > 60dB @ 1 kHz

Video

Format NTSC, PAL (auto-detection)
 Output 1Vp-p (75-ohm)
 Input 1Vp-p (75-ohm)

FM Analog Tuner

Tuning Range 87.5MHz - 107.9MHz
 Mono Sensitivity (-30dB) 9dBf
 Quieting Sensitivity (-50dB) 15dBf
 Alternate Channel Selectivity 70dB
 Signal to Noise Ratio @ 1 kHz 58dB
 Image Rejection 80dB
 Stereo Separation @ 1 kHz >30dB
 Frequency Response 30Hz - 15 kHz, -3dB

AM Tuner

Tuning Range 530 kHz – 1710 kHz
 Sensitivity (-20dB) 12uV
 Signal to Noise Ratio @ 1 kHz 50dB
 Image Rejection 60dB
 Frequency Response 50Hz – 2 kHz, -3dB

Monitor

Screen Size 3.5" Digital (Measured diagonally)
 Active Area 76.32mm(W)×42.822mm(H)
 Screen Type TFT Liquid Crystal Display (LCD) active matrix
 Resolution 320(W) X 234 (H) sub pixels
 Dot Pitch 0.2385mm(W)×0.183mm(H)
 Contrast Ratio 350
 Brightness 400cd/m2

General

Auxiliary Input Impedance 10k
 Power Supply 11 to 16VDC, negative ground
 Power Antenna (Blue) 500mA max, current limited protection
 Operating Temperature -20C ~ 65C
 Fuse 15-amp, ATO type
 DIN Chassis Dimensions 7" X 7" X 2" (178mm x 178mm x 50mm)

**Specifications subject to change without notice.*

Limited Warranty

CD or Multimedia Radios/Headunits

DO NOT RETURN THIS PRODUCT TO THE STORE

Audiovox Electronics Corporation (“the Company”) is committed to quality and customer service, and are pleased to offer you this Warranty. Please read it thoroughly and contact the Company at 1-800-323-4815 with any questions.

Who is covered?

The Company extends this warranty to the original retail purchaser of products purchased through an authorized Audiovox retailer in the U.S.A., Puerto Rico or Canada. This warranty is not transferable or assignable. Proof of purchase is required in the form of an original sales receipt.

What is covered?

The Company warrants that should this product or any part thereof, under normal use, be proven defective in material or workmanship within 12 months from the date of original purchase, such defect(s) will be repaired or replaced with a new or reconditioned product (at the Company's option) without charge for parts and repair labor.

What is not covered?

This Warranty *does not* cover the following:

- Damage incurred during shipping or transporting the product to the Company or a service center
- Elimination of car static or motor noise
- Defects in cosmetic, decorative or non-operative structural parts
- Correction of antenna problems
- Costs incurred for installation, removal or reinstallation of the product
- Consequential damage to compact discs, USB devices, digital media cards, accessories or vehicle electrical systems
- Damage caused by improper installation, mishandling, misuse, neglect, accident, blown fuse, battery leakage, theft or improper storage
- Products whose factory serial number/bar code label(s) or markings have been removed or defaced
- Damage resulting from moisture, humidity, excessive temperature, extreme environmental conditions or external natural causes

Please review the “Care and Maintenance” section of your Installation and Operation Manual for additional information regarding the proper use of your product.

Limitations

THE EXTENT OF THE COMPANY'S LIABILITY UNDER THIS WARRANTY IS LIMITED TO THE REPAIR OR REPLACEMENT PROVIDED ABOVE AND, IN NO EVENT, SHALL THE COMPANY'S LIABILITY EXCEED THE PURCHASE PRICE PAID BY PURCHASER FOR THE PRODUCT.

This Warranty is in lieu of all other express warranties or liabilities. ANY IMPLIED WARRANTIES, INCLUDING ANY IMPLIED WARRANTY OF MERCHANTABILITY, SHALL BE LIMITED TO THE DURATION OF THIS WRITTEN WARRANTY. ANY ACTION FOR BREACH OF ANY WARRANTY HEREUNDER INCLUDING ANY IMPLIED WARRANTY OF MERCHANTABILITY MUST BE BROUGHT WITHIN A PERIOD OF 24 MONTHS FROM DATE OF ORIGINAL PURCHASE. IN NO CASE SHALL THE COMPANY BE LIABLE FOR ANY CONSEQUENTIAL OR INCIDENTAL DAMAGES FOR BREACH OF THIS OR ANY OTHER WARRANTY, EXPRESS OR IMPLIED, WHATSOEVER. No person or representative is authorized to assume for the Company any liability other than expressed herein in connection with the sale of this product.

Some states do not allow limitations on how long an implied warranty lasts or the exclusion or limitation of incidental or consequential damage so the above limitations or exclusions may not apply to you. This Warranty gives you specific legal rights and you may also have other rights which vary from state to state.

Obtaining Warranty Service

- To obtain repair or replacement within the terms of this Warranty, call 1-800-323-4815 for the location of a warranty station serving your area.
- You must prepay the initial shipping charges to the Company. The Company will pay the return shipping charges for all warranted products returned to an address within the U.S.A., Puerto Rico or Canada.
- Please package the product securely to avoid shipping damage. We recommend using a carrier that provides tracking service to prevent lost packages. Lost or damaged packages are not covered by this warranty.
- Provide a detailed description of the problem(s) for which you require service.

if it's too
LOUD
you're too
OLD!



Audiovox Electronics Corporation
Hauppauge, NY 11788
Technical Assistance: 1-800-323-4815
www.jensen.com

© 2008 Audiovox
Ver. 033108
Printed in China

Free Manuals Download Website

<http://myh66.com>

<http://usermanuals.us>

<http://www.somanuals.com>

<http://www.4manuals.cc>

<http://www.manual-lib.com>

<http://www.404manual.com>

<http://www.luxmanual.com>

<http://aubethermostatmanual.com>

Golf course search by state

<http://golfingnear.com>

Email search by domain

<http://emailbydomain.com>

Auto manuals search

<http://auto.somanuals.com>

TV manuals search

<http://tv.somanuals.com>