

# VM8023HD

Installation and Operation Manual

Instrucciones de la Instalación  
y de la Operación

Instructions d'installation  
et d'opération





## TABLE OF CONTENTS

Introduction .....	1
Installation .....	1
Wiring .....	3
Remote Control Operation .....	4
Remote Control Functions .....	5
Operation .....	6
Satellite Radio Operation .....	9
Radio Operation .....	11
DISC/MP3/WMA Playback .....	13
Controlling Your iPod .....	17
Setup Menu .....	18
Care and Maintenance .....	19
Troubleshooting .....	20
Specifications .....	21

## CONTENIDO

Introducción .....	23
Instalación .....	23
Cableado .....	25
Operación de Control Remoto .....	26
Funciones de Control Remoto .....	27
Operación .....	29
Operación de Radio Satelital .....	32
Operación de Radio .....	34
Reproducción de DISCO/MP3/WMA .....	36
Como controlar Su iPod .....	40
Menú de Configuración .....	41
Cuidado y Mantenimiento .....	42
Resolución de Problemas .....	43
Especificaciones .....	44

## TABLE DES MATIÈRES

Introduction .....	45
Installation .....	45
Cablage .....	47
Operation telecommande .....	48
Fonctions à télécommande .....	49
Operation .....	51
Operation radio satellite .....	54
Operation radio .....	56
Reproduction DISC/MP3/WMA .....	58
Commander votre iPod .....	62
Menu configuration .....	63
Soin et maintenance .....	64
Depannage .....	65
Specifications .....	66



HD Radio™ Technology Manufactured Under License From iBiquity Digital Corporation. U.S. and Foreign Patents. HD Radio™ and the HD and HD Radio logos are proprietary trademarks of iBiquity Digital Corporation.

## INTRODUCTION

Congratulations on your purchase of the Jensen VM8023HD Mobile Multimedia Receiver. It's a good idea to read all of the instructions before beginning the installation. We recommend having your Jensen VM8023HD installed by a reputable installation shop.

## INSTALLATION

This unit is designed for installation in cars, trucks and vans with an existing radio opening. In many cases, a special installation kit will be required to mount the radio to the dashboard. These kits are available at electronics supply stores and car stereo specialty shops. Always check the kit application before purchasing to make sure the kit works with your vehicle. If you have trouble locating a kit or need installation assistance, contact Technical Support at 1-800-323-4815 from 9:00am to 6:00pm EST Monday through Friday.

### Tools and Supplies

The following tools and supplies are needed to install the radio:

- Torx type, flathead and Philips screwdrivers
- Wire cutters and strippers
- Tools to remove existing radio (screwdriver, socket wrench set or other tools)
- Electrical tape
- Crimping tool
- Volt meter/test light
- Crimp connections
- 18 gauge wire for power connections
- 16-18 gauge speaker wire

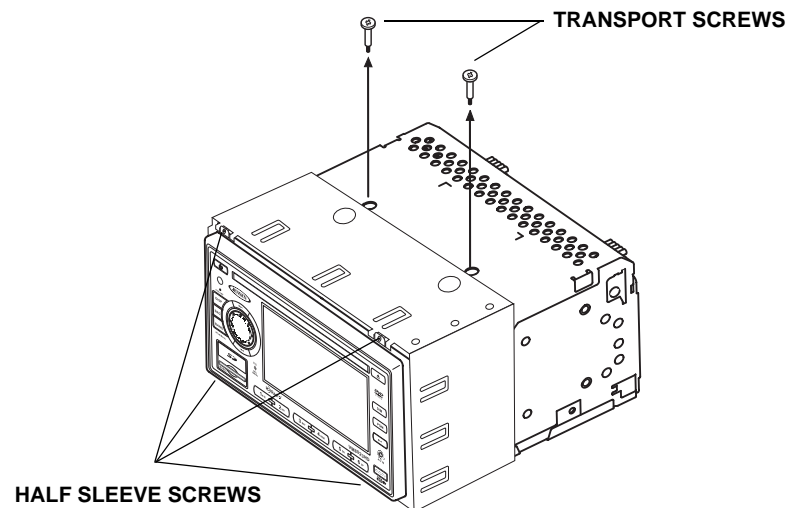
### Preparation

#### 1. Disconnect Battery

Before you begin, always disconnect the battery negative terminal.

**NOTE: If the VM8023HD is to be installed in a car equipped with an on-board drive or navigation computer, do not disconnect the battery cable. If the cable is disconnected, the computer memory may be lost. Under these conditions, use extra caution during installation to avoid causing a short circuit.**

#### 2. Remove Transport Screws

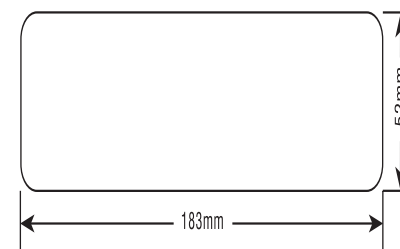


#### 3. Remove Radio from Sleeve

Remove the four screws on the front of the radio to remove the half sleeve (save screws if using the half sleeve for installation).

### Mounting Sleeve Installation

1. Check the dashboard opening size by sliding the mounting sleeve into it.



If the opening is too small, carefully cut or file as necessary until the sleeve easily slides into the opening. Do not force the sleeve into the opening or cause it to bend or bow. Check for sufficient space behind the dashboard for the radio chassis.

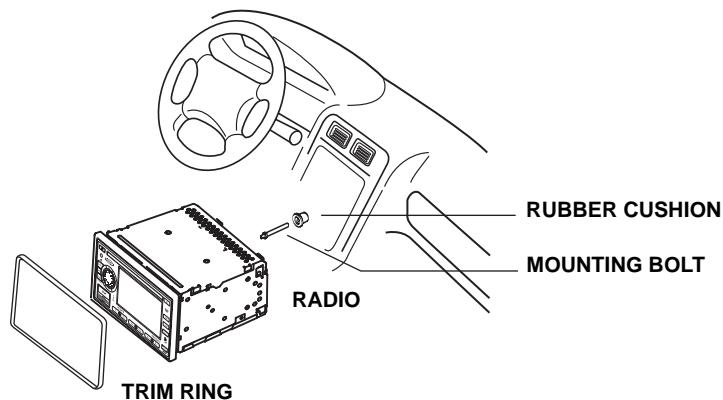
2. Locate the series of bend tabs along the top, bottom, and sides of the mounting sleeve. With the sleeve fully inserted into the dashboard

opening, bend as many of the tabs outward as necessary to firmly secure the sleeve to the dashboard.

**CAUTION: For proper operation of the DVD player, the chassis must be mounted within 20° of horizontal. Make sure the unit is mounted within this limitation.**

- Place the radio in front of the dashboard opening so the wiring can be brought through the mounting sleeve. Follow the wiring diagram carefully and make certain all connections are secure and insulated with wire nuts or electrical tape. See "Wiring" on page 3. After completing the wiring connections, turn the unit on to confirm operation (vehicle ignition must be on). If the unit does not operate, re-check all wiring until the problem is corrected.
- Make sure the radio is right-side up, then carefully slide the radio into the mounting sleeve and secure with the four half sleeve screws.
- Secure the rear of the unit to the car body using the mounting bolt and rubber cushion.
- Test the radio using the "Operation" instructions that follow.

### Kit Installation

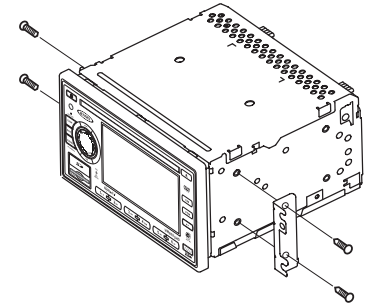


If your vehicle requires the use of an installation kit to mount this radio, follow the instructions included with the installation kit to attach the radio to the mounting plate supplied with the kit.

- Wire and test the radio as outlined in the Mounting Sleeve Installation instructions.
- Install the radio/mounting plate assembly to the sub-dashboard according to the instructions in the installation kit.
- Replace the dashboard trim panel.

### ISO Installation

This unit has threaded holes in the chassis side panels which may be used with the original factory mounting brackets of some vehicles to mount the radio to the dashboard. Please consult with your local car stereo shop for assistance on this type of installation.



- Remove the existing factory radio from the dashboard or center console mounting. Save all hardware and brackets as they will be used to mount the new radio.
- Carefully unsnap the plastic frame from the front of the new radio chassis. Remove and discard the frame.
- Remove the factory mounting brackets and hardware from the existing radio and attach them to the new radio. Do not exceed M5 x 9mm maximum screw size. Longer screws may damage components inside the chassis.
- Wire the new radio as outlined in the Mounting Sleeve Installation instructions.
- Mount the new radio assembly to the dashboard or center console using the reverse procedure of step 1.

### Fuses

When replacing a fuse, make sure the new fuse is the correct type and amperage. Using an incorrect fuse could damage the radio.

### Reconnect Battery

When wiring is complete, reconnect the battery negative terminal.

### Removing the Radio

To remove the radio after installation, first remove the face plate. Next, remove the trim ring by firmly grasping one side and pulling. Insert the removal keys straight back until they lock, then pull the radio out. If the removal keys are inserted at an angle, they will not lock properly and will not release the unit.

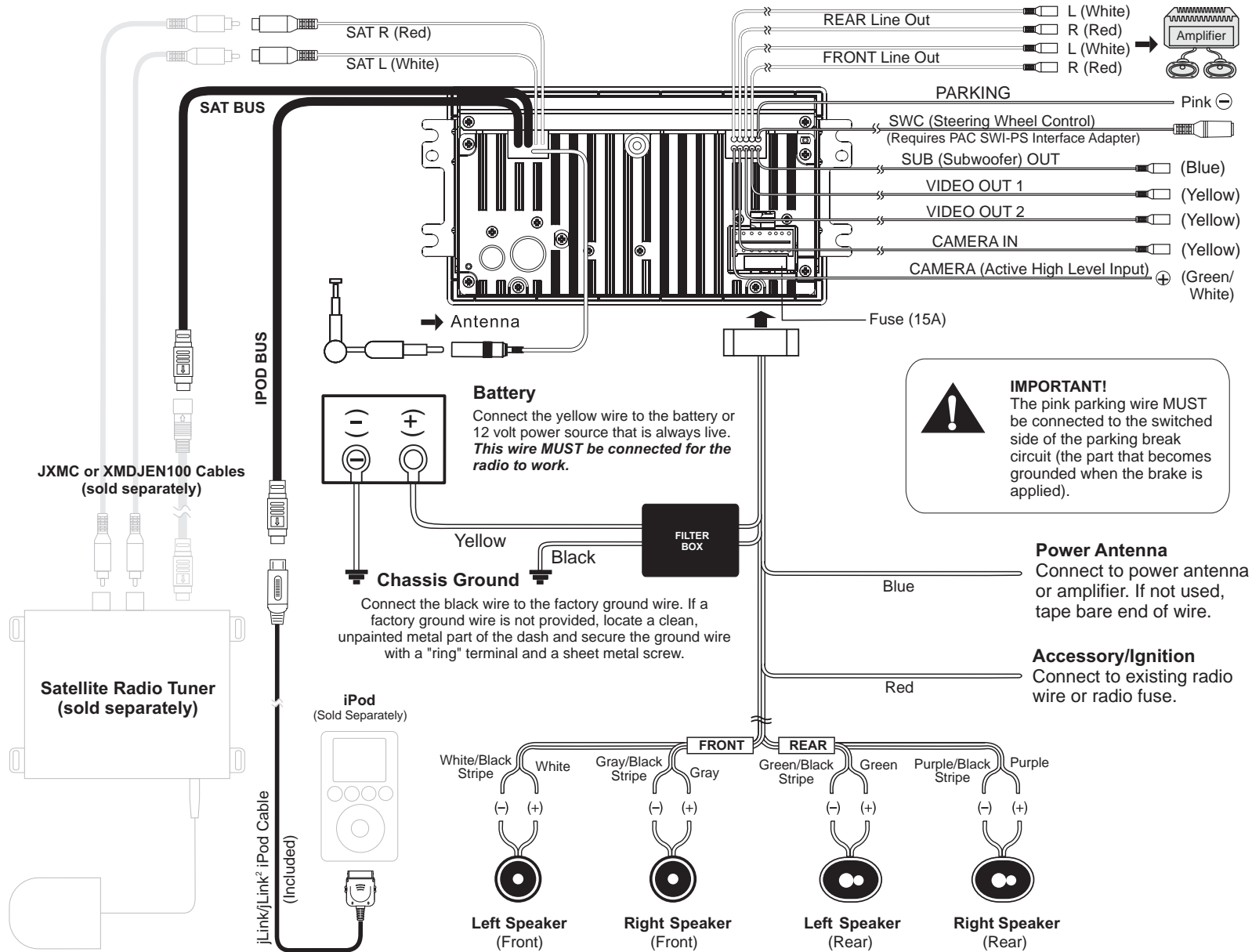
### Technical Assistance

If you require assistance, contact Technical Support at 1-800-323-4815 from 9:00am to 6:00pm EST Monday through Friday.

**WIRING**

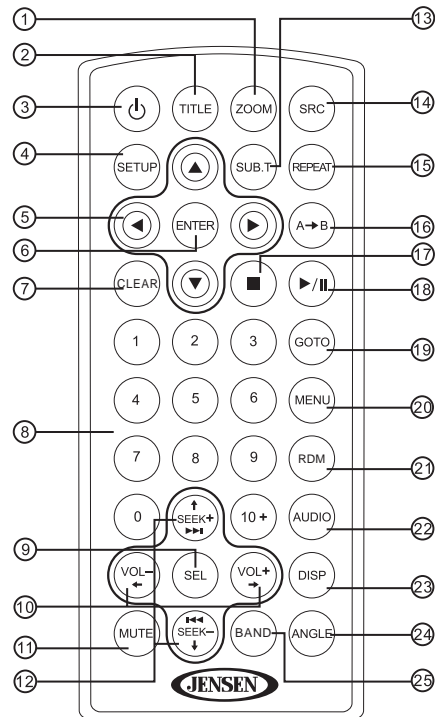
**NOTE:** The amplifier in this radio is only designed for use with four speakers. Never combine (bridge) outputs for use with two speakers. Never ground negative speaker leads to chassis ground.

**NOTE:** Only connect speakers with a nominal impedance of 4 ohms. Speakers with a load impedance less than 4 ohms could damage the unit.



## REMOTE CONTROL OPERATION

The remote control will allow you to control the advanced functions of the VM8023HD.

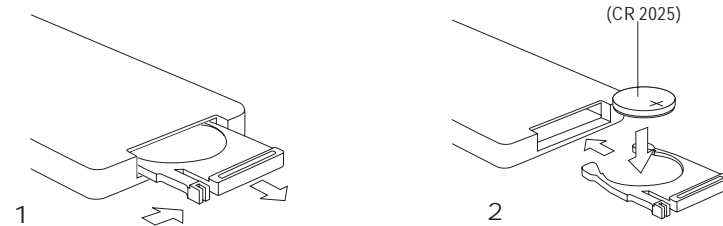
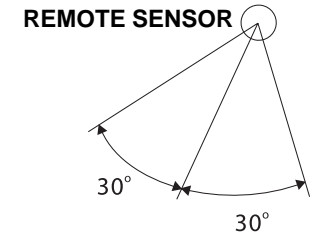


### Operating Range

The remote control sensor (19) is located near the bottom of the front panel, left of the LCD screen. The remote control can operate within a distance of 3~5m.

### Replacing the Battery

When the range of operation of the remote control becomes short or stops functioning, replace the battery with a new lithium battery. Be sure to observe the proper polarity, as indicated below.





## REMOTE CONTROL FUNCTIONS

Table 1: Remote Control Functions

#	Button	Tuner	SAT	CD	iPod	DVD
1	ZOOM					Magnify Image
2	TITLE				Select Video Mode	View DVD Title Screen
3	Power	Power On; <i>Press and hold</i> to Power Off	Power On; <i>Press and hold</i> to Power Off	Power On; <i>Press and hold</i> to Power Off	Power On; <i>Press and hold</i> to Power Off	Power On; <i>Press and hold</i> to Power Off
4	SETUP	Display Setup Menu	Display Setup Menu	Display Setup Menu	Display Setup Menu	Display Setup Menu
5	Navigation Arrows	Down/Up: Preset Navigation	Down/Up: Preset Navigation	Down/Up: Screen Navigation; Left/Right: Folder Navigation	Down/Up: Screen Navigation	Left/Right: Fast Reverse/Fast Forward; Up/Down: Slow Reverse/Slow Forward
6	ENTER	Confirm Entry	Confirm Entry	Confirm Entry	Confirm Entry	Confirm Entry
7	CLEAR					
8	Direct Entry		Direct Channel Entry		Direct Track Entry	
9	SEL	Audio Mode: Select BAS, TRE, BAL, FAD; <i>Press and hold</i> for System Menu	Audio Mode: Select BAS, TRE, BAL, FAD; <i>Press and hold</i> for System Menu; ENTER in Category Mode	Audio Mode: Select BAS, TRE, BAL, FAD; <i>Press and hold</i> for System Menu	Audio Mode: Select BAS, TRE, BAL, FAD; <i>Press and hold</i> for System Menu	Audio Mode: Select BAS, TRE, BAL, FAD; <i>Press and hold</i> for System Menu
10	VOL (Volume Control)	Volume up/down	Select next/previous item in Category Mode	Volume up/down	Volume up/down	Volume up/down
11	MUTE	Silence Audio Output	Silence Audio Output	Silence Audio Output	Silence Audio Output	Silence Audio Output
12	SEEK	Search Next/Previous Channel; <i>Press and hold</i> to Scan Channels up/down	Search Next/Previous Channel; <i>Press and hold</i> to Scan Channels up/down	Next/Previous Track; <i>Press and hold</i> to Fast Forward/Reverse	Next/Previous Track; <i>Press and hold</i> to Fast Forward/Reverse	Next/Previous Track; <i>Press and hold</i> to Fast Forward/Reverse
13	SUB.T					View/Change Subtitle Language
14	SRC (Source)	Select Playing Mode	Select Playing Mode	Select Playing Mode	Select Playing Mode	Select Playing Mode
15	REPEAT			Repeat Current Track	Repeat Current Track	Repeat Current Chapter
16	A-B Repeat			Repeat Section		Repeat Section
17	Stop/Return			Stop/Return	Stop/Return	Stop/Return
18	Play/Pause			Play/Pause	Play/Pause	Play/Pause
19	GOTO Search	View HD Multicast stations; <i>Press and hold</i> to select: Auto, Digital, Analog		GOTO Specific Area of Disc		GOTO Specific Area of Disc
20	MENU				Return to Previous Menu	View DVD Setup Menu; PBC for VCD 2.0 and up
21	RDM			Play all Tracks in Random Order	Play all Tracks in Random Order	Play all Chapters in Random Order
22	AUDIO				Select Audio Mode	View/Change disc Audio Language
23	DISP	Enter Program Search; <i>Press and hold</i> to set clock	Display Direct Entry Menu; <i>Press and hold</i> to set clock	<i>Press and hold</i> to set clock	<i>Press and hold</i> to set clock	<i>Press and hold</i> to set clock
24	ANGLE					Show alternate angles, if available
25	BAND	Select Band (AM1, AM2, FM1, FM2, FM3)	Select Band (SAT1, SAT2, SAT3)			Select PAL, NTSC, AUTO

## OPERATION

### Power

Press the  $\phi$  (power) button (1) to turn the unit on. *Press and hold* the power button again to turn the unit off.

---

**NOTE: LCD panels may take longer to respond when subjected to cold temperatures for an extended period of time. In addition, the visibility of the numbers on the LCD may decrease slightly. The LCD display will return to normal when the temperature increases to a normal range.**

---

### Source

Press the **SRC** button (6) repeatedly to scan the various sources. A source is only displayed when accessible (optional equipment required for some sources). Available modes include Radio (FM, AM), SAT, DVD, SD, USB, iPod and auxiliary (AUX IN).

### External Devices

External peripheral devices, including a game console, camcorder, navigation unit, iPod, Zune, etc. can be connected to the **A/V** connector (18) on the front of this unit using the 3.5mm Media Cable (included). Select "SOURCE >> AUX IN" to access auxiliary devices. You cannot directly control external devices connected to the A/V IN inputs.

### Audio Mute

Press the  $\phi$  (power) button (1) to silence the audio volume. "M" appears on the display. Press  $\phi$  (power) again to restore volume to the previous setting.

### Volume Control

To increase the volume, turn the **VOL/SEL/MENU** (rotary encoder) (2) clockwise. To decrease the volume, turn the rotary encoder counter-clockwise. When volume is adjusted, the volume level will be shown on the display panel as a number ranging from "0" (lowest) to "40" (highest).

### Steering Wheel Control (SWC)

The VM8023HD is compatible with the PAC (Pacific Accessory Corporation) steering wheel control adapter SWI-PS. A 3.5mm female connector (labeled "SWC Interface") on the back of the head unit allows connectivity to the PAC adapter. Please refer to the instructions included with the PAC adapter for detailed installation information.

The following controls are available for most vehicles:

1. Vol Down
2. Vol Up
3. Mute
4. Seek Down / Previous Track
5. Seek Up / Next Track
6. SRC (Source)
7. Band

### Audio Menu

Press the **VOL/SEL/MENU** button (2) to access the audio menu. Press the **VOL/SEL/MENU** button repeatedly to move through the list of menu options.

- Sub\_w: When the Low Pass Filter is activated (see "Menu Operation" on page 7), you can use the **VOL/SEL/MENU** rotary encoder to adjust the subwoofer volume from "-14" to "0".
- Bass: Turn the **VOL/SEL/MENU** rotary encoder (2) to adjust the bass level from "+7" to "-7".
- Treble: Turn the **VOL/SEL/MENU** rotary encoder to adjust the treble level from "+7" to "-7".
- Balance: Turn the **VOL/SEL/MENU** rotary encoder to adjust the balance from "R7" (full right) to "L7" (full left).
- Fader: Turn the **VOL/SEL/MENU** rotary encoder to adjust the fader from "F7" (full front) to "R7" (full rear).

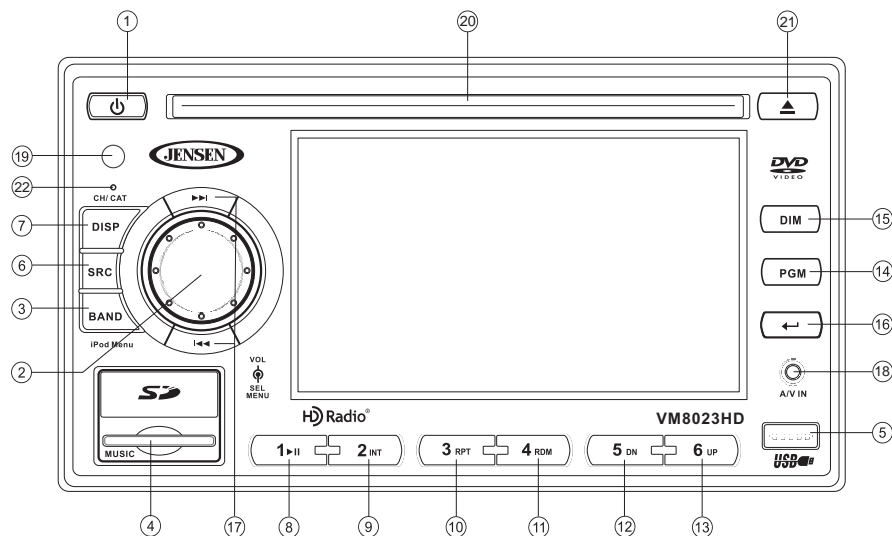
The unit automatically saves your changes and exits the audio control menu after five seconds of inactivity.

---

**NOTE: This model is equipped with source tone memory. Any changes to the Bass, Treble, and Sub-w are reflected only in the active source.**

---

## Menu Operation



Press and hold the **VOL/SEL/MENU** button (2) for more than two seconds to access the menu. Press the **VOL/SEL/MENU** button to move through the following menu options: Equalizer, Loud Set, Beep Set, 12/24 Mode (clock), Vol Mode, A-VOL, Sub LPF and Area Set. The following procedures assume you have already accessed the menu.

### Equalizer

The Equalizer function applies preset sound effects to the unit's audio output signal. Turn the rotary encoder to select from the following equalizer options: "Off", "Rock", "Hip Hop", "Dance" and "Acoustic". With the equalizer function activated, if bass or treble is adjusted, the EQ Mode will revert to "Off".

When the equalizer function is activated, the most recently selected bass/treble levels cannot be adjusted. When the equalizer function is not active, the unit will return to the most recently selected bass and treble levels.

### Loud Set

When listening to music at low volumes, this feature will selectively boost certain bass and treble frequencies. "Off" is the default setting. Turn the rotary encoder to select "On".

### Beep Set

The beep tone feature allows the selection of an audible beep tone to be heard each time the menu is accessed. "On" is the default setting. Turn the rotary encoder to select "Off".

### 12/24 Mode

This option allows selection of a 12 hour or 24 hour clock format. "12 Hours" is the default setting. Turn the rotary encoder to change to the 24 hour clock format.

### Vol Mode

Turn the rotary encoder to select "Last" or "Adjust".

- Last: When the unit is turned on, the volume will resume at the level selected when last turned off.
- Adjust: If choosing "Adjust", use the A-VOL setting to specify a turn-on volume.

### Turn-On Volume (A-VOL)

After selecting "Adjust" for Vol Mode, press the **VOL/SEL/MENU** button to access the A-VOL setting and then turn the rotary encoder to select the desired turn-on volume level. When this option is selected, the unit will revert to the adjusted volume each time the unit is turned on.

### Sub LPF (Low Pass Frequency)

After connecting a subwoofer to the back of the unit, turn the rotary encoder to select a crossover frequency: OFF, 80, 120 or 160Hz.

### Area Set

This option allows you to select the appropriate frequency spacing for your area. "U.S.A." is the default setting. Turn the rotary encoder to select "EUROPE".

### Dimmer

Press the **DIM** button (15) on the front panel to dim the screen by 1/2. Press again to darken the screen completely. Press a third time to resume full brightness.

### Clock Set

1. Press and hold the **DISP** button (7) until the clock blinks.
2. Turn the **VOL/SEL/MENU** rotary encoder (2) to set the minutes.
3. Press the **VOL/SEL/MENU** button (2) to confirm and move to the hour field.
4. Turn the **VOL/SEL/MENU** rotary encoder to set the hour.
5. Press the **DISP** button to set the clock and exit the clock set function.

### Reset Button

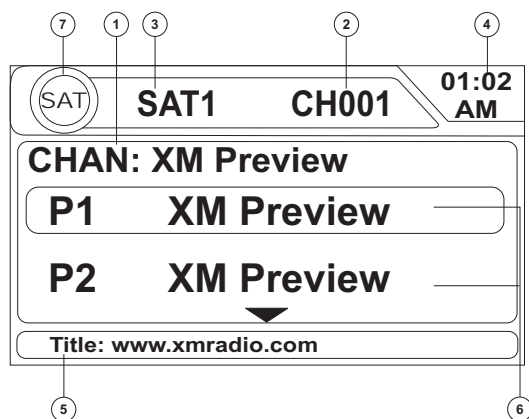
The **RESET** button (22) is located on the front panel under the power button. Resetting the unit will erase the time and preset memories. It should only be activated upon initial installation after all wiring is complete, or if there is a malfunction of any of the switches on the unit. In these circumstances, pressing the **RESET** button will clear the system and return the unit to default operation.

## SATELLITE RADIO OPERATION

Listeners can subscribe to XM<sup>®</sup> Radio on the Web by visiting [www.xmradio.com](http://www.xmradio.com), or by calling (800) 967-2346. Customers should have their Radio ID ready (see "Displaying the Identification (ID) Code"). Customers can receive a limited number of free-to-air channels without activation.

### Accessing Satellite Radio Mode

Press the **SRC** button (6) on the front panel or remote control (14) to switch to the SAT source.



1. SAT Channel Name
2. SAT Channel Number
3. SAT Band
4. Time/Clock
5. Artist and Title Information
6. Current Preset Channels
7. Source Indicator

### Displaying the Identification (ID) Code

Before you listen to satellite radio, you must subscribe to the service using your radio's identification number. To display the radio ID, press the **DISP** button three times or use the **|<<** tuning button (17) to tune to channel "000". The screen displays the radio ID where the channel name is usually displayed.

### Select a Band

Press the **BAND** button (3) to change between three SAT bands (SAT1, SAT2 and SAT3). Each band stores up to six preset stations.

### Selecting a Station

Press the **>>|** or **|<<** tuning button (17) to tune to another station.

### Preset Mode

Six numbered preset buttons store and recall stations for each band. All six stored stations (P1-P6) for the current band can be viewed on the screen. Use the remote control up/down arrow buttons (5) to scroll through the list.

### Storing a Station

1. Select a band (if needed), then select a station.
2. *Press and hold* a preset button (numbers 1-6) on the front panel or remote control.
3. The preset number and station appears highlighted.

### Recalling a Station

1. Select a band (if needed).
2. Press a front panel or remote control preset button (numbers 1-6) to select the corresponding stored station.

### Channel Search

To access Channel Search mode, press the **DISP** button (7). The list of all available channels appears on the screen.

1. Rotate the **VOL/SEL/MENU** rotary encoder (2) on the control panel or press the up/down arrow keys (5) on the remote control to navigate the list of channels.
2. Press the **VOL/SEL/MENU** button on the control panel or the **ENTER** button (6) on the remote control to select a channel.

### Category Search

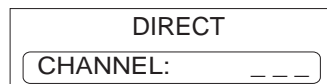
1. To access Category Search mode, press the **DISP** button (7) twice. The list of available categories appears on the screen.



2. Rotate the **VOL/SEL/MENU** rotary encoder (2) on the control panel or press the up/down arrow keys (5) on the remote control to navigate the list of categories.
3. Press the **VOL/SEL/MENU** button on the control panel or the **ENTER** button (6) on the remote control to select the desired category. A list of stations in the selected category appears on the screen.
4. Rotate the **VOL/SEL/MENU** rotary encoder on the control panel or press the up/down arrow keys on the remote control to navigate the list of stations in the selected category.
5. Press the **VOL/SEL/MENU** button on the control panel or the **ENTER** button (6) on the remote control to select a station.

### Direct Channel Input

1. To enter a radio station directly, press the **DISP** button on the front panel (7) or remote control (23) three times to display the DIRECT channel input screen.



Enter the desired radio station using the remote control number pad (8) followed by the **ENTER** button, or perform the following steps:

1. Turn the **VOL/SEL/MENU** rotary encoder to select the third digit of the desired channel (0-9).
2. Press the **VOL/SEL/MENU** button to enter the number and move to the second position.

3. Turn the rotary encoder again to select the second digit of the desired channel (0 - 9).
4. Press **VOL/SEL/MENU** to enter the second number and move to the first position. (*Press and hold* if channel is only 2 digits and you are ready to tune to the channel.)
5. Turn the rotary encoder again to select the first digit of the channel you want to tune to (0 - 2).
6. Press the **VOL/SEL/MENU** button to tune to the selected station.

## RADIO OPERATION

### About HD Radio™ Technology

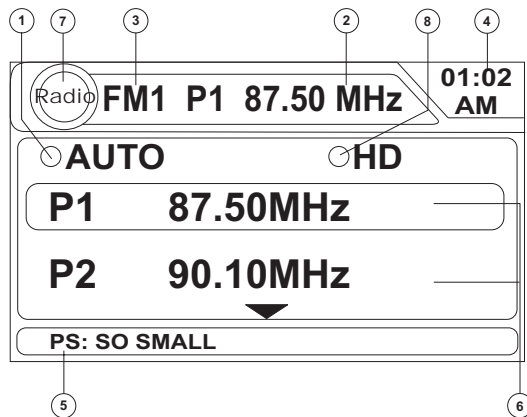
HD Radio technology allows CD-quality digital broadcasting of your local AM and FM radio stations. HD Radio broadcasts can include multiple channels on the same frequency, which is called multicasting. With multicasting, you can receive up to eight additional multicast channels: HD1~HD8.

With your VM8023HD radio, you will receive HD Radio digital broadcasts automatically when tuned to a station that offers HD Radio technology.

**NOTE: Not all FM or AM stations offer HD Radio (digital) broadcasting. You can receive both analog and digital stations with the VM8023HD.**

### Accessing Radio Mode

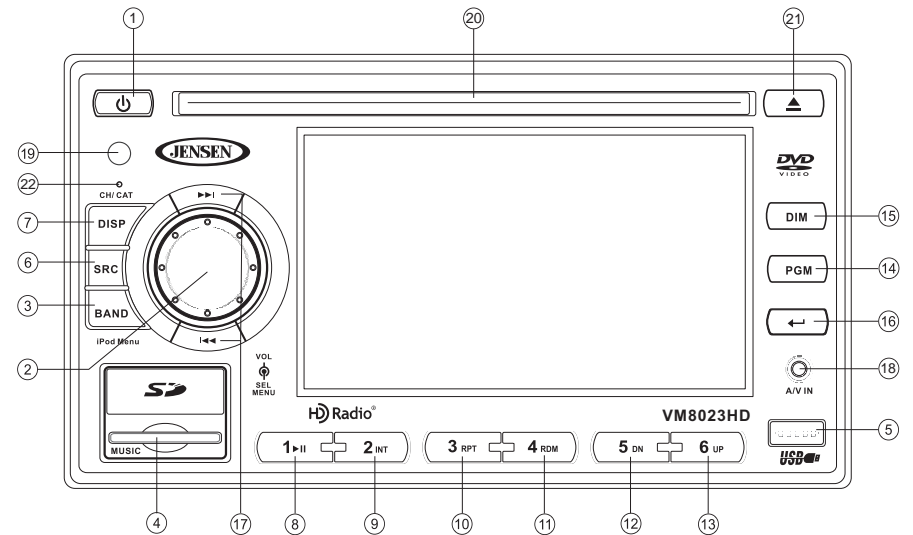
Press the **SRC** button (6) on the front panel or remote control (14) to switch to the RADIO source.



1. Auto, Analog, Digital Reception Indicator
2. Radio Station Frequency
3. AM/FM Band
4. Time/Clock
5. Program Information: Artist, Title, Type

*NOTE: The amount of information displayed when receiving an HD Radio signal is dependent upon what is being broadcast. Some stations broadcast their call letters (name), the artist's name, song title, and category of music.*

6. Current Preset Channels
7. Source Indicator
8. HD Radio Station Indicator



### Selecting the AM/FM Band

Press the **BAND** button (3) to change between the AM and FM band.

### Tuning

#### Seek Tuning

Press the **TUNE/TRACK** >>| or |<< buttons (17) to seek the next/previous station automatically.

#### Manual Tuning

Press and hold the **TUNE/TRACK** >>| or |<< buttons (17) to enter Manual tuning mode. Press the buttons again to move the radio frequency number up or down one step.

#### HD Radio Multicast Channels

To tune to an HD Radio multicast channel, tune to the main signal and then press the **PGM** button (14) on the control panel. A list of multicast channels will be displayed (HD-1, HD-2 etc).

- Use the rotary encoder to navigate the list and then press to select a multicast channel.

- Use the remote control arrow keys and **ENTER** button to select a multicast channel.

*Press and hold* the **PGM** button to change between "Auto", "Digital" and "Analog". When set to "AUTO", the station will first be received in Analog but will change to Digital when a digital signal is detected and the HD icon will illuminate. If the digital signal becomes unavailable, the unit will revert to Analog reception.

### **Program Search**

To view the Program Type categories when listening to HD Radio broadcasting, press the **DISP** button on the control panel (7) or remote control (23). Program type categories are listed, allowing listeners to find similar programming by genre. When a Program Type category is selected, the radio will start scanning for stations broadcasting in the selected category. Use the **TUNE/TRACK >>|** or **|<<** buttons (17) to change the category.

### **Preset Stations**

You can store up to 18 presets for FM and 6 presets for AM, which can then be instantly recalled by pressing the associated preset button (8-13). To store a station, turn the radio on and select the desired band and station. *Press and hold* the desired preset button (numbered one through six on the face of the radio or remote control) for more than two seconds. When stored, the preset number will appear in the display. The station is now stored and can be recalled by pressing the corresponding preset button. Repeat for the remaining five presets on the current band and for presets on the other four bands.

---

**NOTE: Multicast stations can be stored as presets, but the unit must be in Digital or Auto reception mode to receive them.**

---

### **Preview Scan**

Press the **←** button (16) to scan and play all strong stations for 5 seconds each. Press **←** again to stop scanning and play the current station.

### **Automatic Store**

*Press and hold* the **←** button (16) to select either 18 strong FM stations or 6 AM and store them for quick access using the Automatic Store (AS) feature. AS only stores stations for the current band. After entering the stations into memory, the unit will automatically stop at each station for five seconds, allowing you to preview each selection. When using the AS feature, the new stations replace any stations already stored in preset memory.

---

**NOTE: You can stop the Automatic Store function at any time by pressing the **←** button again.**

---



## DISC/MP3/WMA PLAYBACK

### Inserting and Ejecting a Disc

Insert a disc, label side up, into the disc slot (20). To stop disc play and eject the disc, press the eject button (21).

---

**NOTE: The unit is designed for play of standard 5" (12 cm.) discs only. Do not attempt to use 3" (8 cm.) CD singles in this unit, either with or without an adaptor, as damage to the player and/or the disc may occur. Such damage will not be covered by the warranty on this product.**

---

### Loading an SD Card

Insert the SD card into the SD Card slot (4). The unit will read the files on the card automatically. To remove the card, first press the **SRC** button (6) to switch to another mode and stop SD playback. Press the SD card to pop it out, then remove the card.

### Loading a USB Device

Insert the USB device into the USB connector (5) on the front of the unit. The unit will read the files on the USB device automatically.

To remove the USB device, press the **SRC** button (6) to switch to another mode and then remove the USB device from the USB connector.

### Notes on MP3/WMA Play

MP3 and WMA (Windows Media Audio) music files are digital audio files that are compressed to allow more files on a single CD. This unit can play MP3/WMA and video directly from files contained on a CD-R/RW, DVD-ROM, DVD+RW, DVD-RW, DVD+R, DVD-R and DVD-VIDEO, or an SD card or USB Device using the buttons on the receiver (or remote control) as described below.

Many types of software are available for converting audio files into MP3/WMA formats. Jensen recommends *Nero* or *Roxio Easy CD Creator*.

This unit can play MP3 (MPEG1, 2, 2.5 Audio Layer 3). However, the MP3 recording media and accepted formats are limited. When writing MP3/WMA, pay attention to the following restrictions.

#### Acceptable Media

The MP3/WMA recording media acceptable to this unit are CD-ROM, CD-R, and CD-RW. The unit will also play MP3, WMA, or photo files written to SD Cards, USB Devices.

Depending on the media type and recording method, some CD-R/RWs may be incompatible with this unit. When using CD-RW, use full format rather than quick format to prevent malfunction.

This unit supports playback of MP3/WMA and CDDA (CDA), Mixed-Mode CDs and CD-Extra (including multi-session discs). Discs on which the session has not been closed will not play.

---

**NOTE: This unit supports FAT 16 and FAT 32 file systems. The unit supports USB 1.1 only, but will play USB 2.0 devices at USB 1.1 speed.**

---

#### Acceptable Medium Formats

The following formats are available for the media used in this unit. The maximum number of characters used for file name, including the delimiter (".") and three-character extension, are indicated in parentheses.

- ISO 9660 Level 1 (11 characters)
- ISO 9660 Level 2 (31 characters)
- Joliet (31 characters)
- Romeo (31 characters)

Up to 200 characters can be displayed in the long file name format. For a list of available characters, see the instruction manual of the writing software and the section "Entering File and Folder Names" that follows. The media reproducible on this unit has the following limitations:

- Maximum number of nested folders: 8
- Maximum number of files per disc: 1500
- Maximum number of folders per disc: 255

MP3/WMA files written in formats other than those listed above will not play successfully and their file or folder names will not display properly.

#### MP3/WMA Encoder and CD Writer Settings

Use the following settings when compressing audio data with the MP3 encoder.

- Transfer bit rate: 8 - 320 kbps
- Sampling frequency: 8, 11.025, 12, 16, 22.05, 24, 32, 44.1, 48 kHz

When using a CD writer to record MP3/WMA up to the maximum disc capacity, disable additional writing. To record an empty disc up to the maximum capacity at once, select the "disc at once" option.

### Entering ID3 Tag

This unit supports ID3 tag version 2.0. For character codes, refer to the table to the right.

### Entering File and Folder Names

Names using the code list characters are the only file names and folder names that can be entered and displayed. Using any other character will cause the file and folder names to be displayed incorrectly. The unit recognizes and plays only files with the MP3/WMA extension.

	0	1	2	3	4	5	6	7	8	9	A	B	C	D	E	F
0				@	P	.					°	À	Ä	À	ä	đ
1		!	1	A	Q	a	q				i	±	Á	Ñ	á	ñ
2		"	2	B	R	b	r				ç	²	Ä	Ö	ä	ö
3		#	3	C	S	c	s				£	³	Å	Ó	å	ó
4		\$	4	D	T	d	t				¤	´	Ä	Ö	ä	ö
5		%	5	E	U	e	u				¥	µ	Å	Ö	ä	ö
6		&	6	F	V	f	v				¦	¶	Æ	Ö	æ	ö
7		'	7	G	W	g	w				§	·	Ç	X	ç	+
8		(	8	H	X	h	x				¨	†	É	Ø	é	ø
9		)	9	I	Y	i	y				©	¹	É	Ú	é	ú
A		*	:	J	Z	j	z				ª	º	È	Ú	è	ù
B		+	;	K	[	k	{				«	»	È	Ú	è	ù
C		,	<	L	\	l					¼	¼	I	Ü	i	ü
D		-	=	M	]	m	}				½	½	I	Y	i	ÿ
E		.	>	N	^	n	~				¾	¾	I	P	i	p
F		/	?	O	_	o	■				—	—	Í	Ï	í	ï

**NOTE: A file name entered with characters not on the code list may not play correctly.**

### Electronic Shock Protection

- 10 seconds for CD-DA (CDA)
- >45 seconds for MP3 recorded at 44.1kHz, 128kbps
- >90 seconds for WMA recorded at 44.1kHz, 128kbps

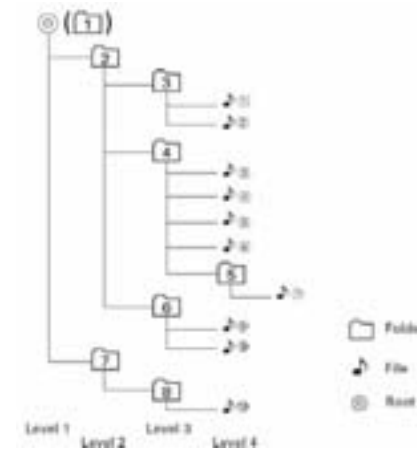
### Bit Rates

The unit supports bit rates from 32 - 320 kbps.

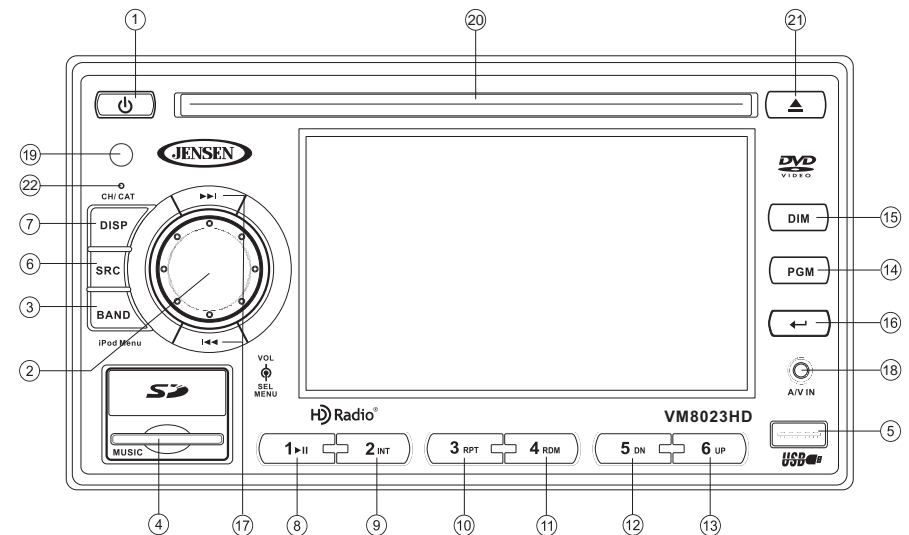
### MP3 Playing Order

When selected for play, files and folders (Folder Search, File Search or Folder Select) are accessed in the order in which they were written to the media. As a result, the order in which they are expected to be played may not match the order in which they are actually played. You may be able to set the order in which MP3/WMA files are to be played by assigning file names beginning with play sequence numbers such as "01" to "99".

For example, a medium with the following folder/file hierarchy is subject to Folder Search, File Search or Folder Select as shown below.

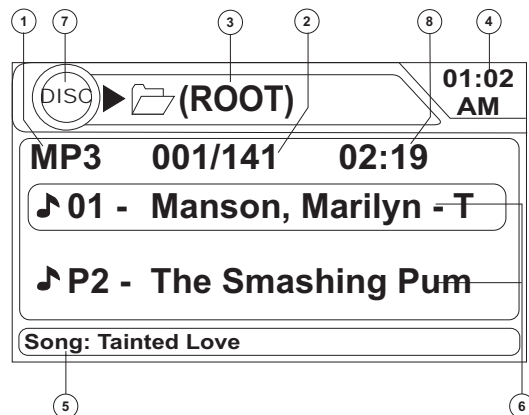


The VM8023HD player will only recognize three folder levels and does not display folders containing only other folders. In the example above, the unit will display folders 3, 4, 6, and 8, but not 2 and 7 since they do not contain any tracks directly. Folder 5 is not recognized at all since it is at the fourth level.



## Changing the Source

If a disc is already in the disc slot but is not playing, press the **SRC** button (6) on the front panel or remote control (14) to switch to the DISC source. To play files from an SD or USB that is already inserted, choose the CARD or USB source. The MP3 playback screen is indicated below:



1. CD/MP3/WMA Indicator
2. Current of Total Tracks
3. Current Folder Level
4. Time/Clock
5. ID3 Artist and Title Information (MP3 only)
6. Songs on Disc
7. Source Indicator
8. Elapsed Playing Time for Current Song

## Controlling Disc or File Playback

### Pause

Press the 1/>/|| button (8) to suspend playback. Press the 1/>/|| button again to resume playback. Tracks are played in the order they are written to the disc/card, unless another operation is requested.

### Stop

Press and hold to stop playback. If viewing video or photos, the system returns to the file menu.

## Track Select

Press the **TUNE/TRACK >>|** or **|<<** buttons (17) for less than one second to advance to the next track/file. The selected track number will appear on the display.

## Navigate Files

The **5/DN** (12) and **6/UP** buttons (13) are used to navigate up and down within the file menu. Press and hold to move down/up a folder level. The current folder name is displayed at the top of the screen.

## Fast Forward/Reverse

Press and hold the **TUNE/TRACK >>|** or **|<<** buttons (17) to fast forward or fast reverse. Press and hold once for 2X. Press and hold additional times for 4X, 8X, 20X or PLAY. Press the play/pause >/|| button (8) to end fast forward or reverse and resume normal playback.

## Intro Scan (INT)

During playback, press the **2/INT** button (9) to select "INTRO" and play the first 10 seconds of each track/file, as indicated by the ↕ symbol. When the desired track is reached, press **2/INT** again to end the scan and play the selected track.

## Repeat (RPT)

Press the **3/RPT** button (10) multiple times during playback to select from the following repeat play options:

- VCD/CD: RPT ONE (track), RPT ALL (disc), RPT OFF
- DVD: RPT CHAPTER, RPT TITLE, RPT OFF
- MP3/WMA: Repeat File, Repeat Directory/Folder, Repeat All (disc), Repeat Off

## Random (RDM)

Press the **4/RDM** button (11) during playback to select "RANDOM" and play all tracks/files in random, shuffled order. Press **4/RDM** again to stop random play.

## Section Repeat (A-B)

To repeat a specified section of a track, perform the following steps:

1. Press the **A->B** button (16) on the remote control to select the starting point. The display will show "REPEAT A-".
2. Press **A->B** when you reach the desired ending point. The display shows "REPEAT A-B" and the selected section will play repeatedly.

To cancel section repeat, press the **A->B** button again. "A-B CANCEL" appears on the display.

### GOTO Track Time Access

Use the GOTO function to access a specific position on a track directly.

1. Press the **GOTO** button (19) on the remote control. The Search (Time --:--:--) window will appear.
2. Use the number keys on the remote control to enter the exact time on the current track from which you would like playback to begin.
3. Press the **ENTER** button to confirm and begin playback from the selected track time.

### VCD PlayBack Control (VCD Only)

If you insert a VCD with playback control, playback automatically starts at the beginning of the first track. Press the **MENU** button (20) on the remote control to turn playback control on/off.

### Additional DVD/Video Playback Features

---

***NOTE: You cannot view video while driving the car. When attempting to view video while the parking brake is not engaged, the following message will appear on the screen: WARNING !! Engage Parking Brake to View Video.***

---

The following remote control features are available during DVD playback:

- **AUDIO:** Press to choose an alternate audio language, if available. This button may also show different surround sound options encoded on the DVD.
- **SUB-T:** Press to select an alternate subtitle language, if available.
- **TITLE:** Press to display the title or chapter list. Use the **▲**, **▼**, **◀** or **▶** cursor buttons or the numeric buttons to enter a title or chapter number, and then press **ENTER** to play.
- **ANGLE:** Press to select an alternate viewing angle, if available.
- **ZOOM:** Press to zoom the picture at X2, X3, X4, X1/4, X1/2, or select OFF to return to normal view.
- **Slow Forward/Slow Reverse:** Press the **▲/▼** buttons on the remote control or the 5/6 buttons (10, 13) on the control panel to slow rewind/slow reverse. Press once for 1/2 speed. Press additional times for 1/4, 1/6, or 1/8 speed. Press the play/pause **>||** button (8) to end fast forward or reverse and resume normal playback.

---

***NOTE: Feature availability is dependent on DVD embedded information.***

---

---

***NOTE: The VM8023HD does not support Surround Sound decoding.***

---

## CONTROLLING YOUR iPod

The unit will automatically switch to iPod mode when an iPod is plugged into the iPod cable. To return to the iPod screen from any other source, press the **SRC** button (6) on the front panel and select SOURCE >> iPod. After switching to iPod source, the iPod menu appears on the screen.

---

**NOTE: Be sure your iPod has the latest Apple firmware installed to avoid connectivity issues.**

---

The following remote control buttons are used to access the iPod menus:

Menu	Remote Control
Music	AUDIO
Photos/Videos	TITLE

Use the navigation arrows on the remote control (5) or the **5 DN/6 UP** buttons on the control panel to navigate the iPod menus. Press the **ENTER** (←) button on the front panel (16) or remote control (6) to select the highlighted menu option.

### **iPod Music Playback**

The iPod music menu is automatically accessed when an iPod is connected to the unit or the source is changed to iPod while the iPod is connected.

- Press the > || button on the front panel (8) or remote control (18) to play or pause the selected track.
- Press the >>| button on the front panel (17) or remote control (12) to play the next file.
- Press the |<< button on the front panel (17) or remote control (12) to play the previous file.
- Press the **ENTER** (←) button on the front panel (16) or remote control (6) to select the highlighted menu option.
- Press the **BAND** button on the front panel (3) or remote control (25) to return to the previous menu.

### **Fast Forward/Fast Reverse**

Press and hold the |<< or >>| buttons on the control panel (17) or remote control (12) for 1 second and continue to hold for fast forward or fast reverse. Release to resume normal playback.

### **Photo/Video Playback**

While iPod photos and videos can be viewed on the VM8023HD screen, you must use the iPod to control photo and video playback options.

Press the **TITLE** button (2) on the remote control and the VM8023HD will release control back to the iPod so you can select video media to be displayed on the TFT monitor. To return to iPod music mode, press the **PGM** button (14) on the front panel or the **AUDIO** button (22) on the remote control.

You can also *press and hold* the **PGM** button on the front panel to access photo/video playback from the iPod to the radio TFT screen.

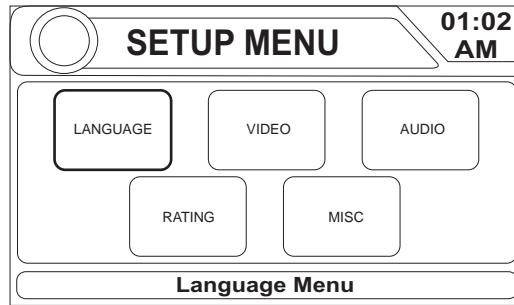
---

**NOTE: Requires 5th Generation or later iPod for Photo/Video Support. Compatible with iPod 5 or 5.5, iPod Classic, iPod Touch, iPhone and iPod Nano with Video.**

---

## SETUP MENU

During disc play, press the **SETUP** button (4) on the remote control to access the SYSTEM SETUP menu.



Use the ▲, ▼, ◀ or ▶ cursor buttons to choose between LANGUAGE, VIDEO, AUDIO, RATING or MISC setup options.

**Table 2: System Setup Menu**

LANGUAGE MENU		
OSD language	English	Select the appropriate on-screen language for the DVD
	Espanol	
Subtitle	English	Choose the language you would like subtitles to appear in (if available)
	French	
	Spanish	
	Portuguese	
	German	
	Off	
DVD menu	English	Choose the language you would like DVD menu to appear in (if available)
	French	
	Spanish	
	German	
	Portuguese	
VIDEO MENU		
Aspect Ratio	4:3	Image is presented with 4:3 aspect ratio.
	16:9	Image is presented in wide view with a 16:9 aspect ratio.
Video Format	NTSC	The color signals are output in the standard NTSC format.
	PAL	The color signals are output in the standard PAL format.

**Table 2: System Setup Menu**

	AUTO	The color signal output is switched automatically based on the current video input signal - NTSC or PAL.
Smart Picture	Standard	
	Bright	
	Soft	
AUDIO MENU		
Audio Menu	English	Select the appropriate audio language for the DVD.
	French	
	Spanish	
	German	
	Portuguese	
RATING MENU		
Set Password	----	Enter a 4-digit password to activate the "Rating" feature. The original password is "0000" and must be entered before you can change the password to a different 4-digit code.
Parental CTR	1 KID SAFE	Select the appropriate rating level for the intended audience.
	2 G	
	3 PG	You may override higher ratings by using your password.
	4 PG-13	
	5 PG-R	
	6 R	
	7 NC-17	
	8 ADULT	
MISC MENU		
Use Default Settings	Yes/No	Select "Yes" to restore the factory default settings.
Demo	Run	Demo Mode scrolls through the various source screens, simulating activity on the display. "Demo Mode" is discreetly displayed in yellow text (below the clock), to indicate the unit is in Demo Mode. To stop Demo Mode, press and hold the SRC button.
Auto Run	On	When "Demo Auto Run" is On, the unit will automatically display Demo Mode when powered on.
	Off	When "Auto Run" is Off, you can select "Demo > Run" to start Demo Mode.

## CARE AND MAINTENANCE

### DVD Player

The following guidelines will help you extend the life of your DVD player:

1. When cleaning the vehicle interior, do not get water or cleaning fluids on the unit.
2. The DVD player will not operate properly in extreme hot/cold or under damp conditions. In case of such conditions, wait until the vehicle interior reaches a normal temperature or any condensation on the disc player lens has evaporated before using the player.
3. Always remove the disc when the player is not in use.
4. The unit is designed with a vibration dampening disc mechanism to minimize interruption of disc play due to normal vibration in a moving vehicle. However, occasional sound skips may occur when driving on very rough roads. This will not scratch or damage the disc, and normal play will resume when the rough conditions cease.

### CD-R and CD-RW Capability

Depending on media type and method of "recording/burning", some CD-R/RWs may be incompatible with this unit. After "recording/burning", the session **must be closed**. Please refer to your software's recommended procedures for closing a disc/session. Review your recording software to familiarize yourself with the correct "recording/burning" procedures. We recommend using the latest versions of ROXIO™ or NERO™ burning software.

In addition, this unit will only recognize the CDDA (Compact Disc Digital Audio), .MP3 and .WMA formats "recorded / burned" onto a CD-R/RW. **This unit does not support .WAV, .OGG or other formats.**

### Disc Care and Handling

Dirt, dust, scratches and warpage can cause skips in the playback and deterioration of sound quality. Please follow these guidelines to take care of your compact discs.



1. Do not touch the disc surface.
2. Never use chemicals such as record sprays or household cleaners to clean discs, as they can irreparably damage the disc's surface.
3. Discs should be kept in their storage cases when not in use.
4. Do not expose discs to direct sunlight, high temperatures or high humidity for long periods.
5. Carefully wipe fingerprints, dust and dirt from the disc's playing surface with a soft cloth. Wipe in a straight motion from the inside to the outside of the disc.
6. **Do not stick paper, tape or disc labels on disc surfaces, as internal damage may occur.**

## TROUBLESHOOTING

Problem	Cause	Corrective Action
Does not operate (display does not light)	No power to yellow wire; no power to red wire	Check connection with test light; check vehicle fuse with test light
	Fuse blown	Replace fuse
No power to unit	Fuse blown	Check/replace fuse
No/low audio output	Improper audio output connection	Check wiring and correct
	Volume set too low	Increase volume level
	Speakers damaged	Replace speakers
	Heavily biased volume balance	Adjust the channel balance to the center position
	Speaker wiring is in contact with metal part of car	Insulate all speaker wiring connections
Blows fuses	Power wire shorting to ground	Make sure wire is not pinched
	Speaker wires shorting to ground	Make sure wire is not pinched
	Incorrect fuse; fuse too small	Install fuse of correct rating
No image	Incorrect connection to parking brake wire	Check Parking SW wiring and correct
	Parking SW is connected but parking brake is not engaged	Stop vehicle in safe place and apply parking brake
Flashing image or interference appears on screen	DVD is not compatible with current TV system settings	Change setup to accommodate disc
	Improper video signal connections	Check wiring and correct
Prolonged image or improper height/width ratio display	Improper aspect ratio setup	Use correct ASPECT RATIO setting
Disc does not play back	Disc is warped or scratched	Use disc in good condition
	Disc is dirty or wet	Clean disc with soft cloth
	Laser pickup is dirty	Clean laser pickup with cleaning disc
	Incompatible disc is used	Use compatible disc
	Disc rating exceeds RATING limit	Change RATING settings to lower restriction
	Disc region code is not compatible with unit	Use disc with proper region code
	Disc is inserted upside down	Insert disc with label side up
Image blurred, distorted, or dark	Disc is illegally copied	Use original disc



## SPECIFICATIONS

### CEA Power Ratings



Power Output . . . . .13 watts RMS X 4 channels into 4-ohms @ < 1% THD+N  
 Signal to Noise Ratio. . . . . 70dBA below reference (reference: 1 watt, 4-ohms)  
 Frequency Response . . . . .20Hz to 20kHz (-3dB), Auxiliary input used as source reference  
 Reference Supply Voltage. . . . .14.4VDC

### DVD/CD Player

Compatible Disc Media . . . . . DVD + R / RW and CD-R / RW  
 Compatible Media Formats . . . . . CD-DA, MP3, WMA, VCD, SVCD, AVI,  
 . . . . . MPEG1 / 2, XviD and Kodak picture CD (JPEG)  
 Signal to Noise Ratio. . . . .>95dBA  
 Dynamic Range. . . . .>95dB  
 Frequency Response . . . . . 20Hz to 20 kHz, -3dB  
 Channel Separation . . . . .> 60dB @ 1 kHz

### Video

Format . . . . . NTSC, PAL (auto-detection)  
 Output . . . . . 1Vp-p (75-ohm)  
 Input . . . . . 1Vp-p (75-ohm)

### FM Analog Tuner

Tuning Range . . . . . 87.5MHz - 107.9MHz  
 Mono Sensitivity (-30dB) . . . . . 9dBf  
 Quieting Sensitivity (-50dB) . . . . . 15dBf  
 Alternate Channel Selectivity . . . . . 70dB  
 Signal to Noise Ratio @ 1 kHz . . . . .58dB  
 Image Rejection . . . . . 80dB  
 Stereo Separation @ 1 kHz. . . . .>30dB  
 Frequency Response . . . . .30Hz - 15 kHz, -3dB

### HD Radio Tuner

FM . . . . . Hybrid -89 dbm, (40 dBf), All Digital -112 dBm (17dBf)  
 AM. . . . . Hybrid -93, dBm, (36 dBf) All Digital -103 dBm (25dBf)  
 Stereo Separation . . . . . 70 dB  
 Audio THD. . . . . 0.4%  
 Frequency Response (+/-3dB) . . . . . 20 Hz - 18 kHz  
 Signal-to-Noise Ratio (Stereo) . . . . . 70 dB

### AM Tuner

Tuning Range . . . . . 530 kHz - 1720 kHz  
 Sensitivity (-20dB) . . . . . 15uV  
 Signal to Noise Ratio @ 1 kHz . . . . . 50dB  
 Frequency Response . . . . . 50Hz - 2kHz, -3dB

### Monitor

Screen Size . . . . .4.3" Digital(Measured diagonally)  
 Active area . . . . .95.04 mm (W) x 53.856 mm (H)  
 Screen Type . . . . . TFT Liquid Crystal Display (LCD) active matrix  
 Resolution . . . . . 480 (W) X 272 (H) sub pixels  
 Dot Pitch . . . . . 0.198 mm (W) x 0.198 (H)  
 Contrast Ratio . . . . . 400  
 Brightness . . . . .165 cd/m2

### General

Auxiliary Input Impedance. . . . . 10k  
 Power Supply . . . . . 11 to 16VDC, negative ground  
 Power Antenna (Blue) . . . . .500mA max, current limited protection  
 Operating Temperature . . . . .-20C ~ 65C  
 Fuse . . . . . 15-amp, ATO type  
 DIN Chassis Dimensions. . . . . 2.0 DIN (Double DIN)

*\*Specifications subject to change without notice.*



Tecnología HD Radio™ Fabricado bajo licencia de iBiquity Digital Corp. U.S. y Patentes Extranjeras. Los logos de HD Radio™ y HD Radio son marcas propietarias de iBiquity Digital Corporation.

## INTRODUCCIÓN

Felicitaciones por su compra del Jensen VM8023HD Mobile Multimedia Receiver. Es una buena idea leer todas las instrucciones antes de comenzar la instalación. Recomendamos hacer instalar su Jensen VM8023HD por un taller de instalación confiable.

## INSTALACIÓN

Esta unidad está diseñada para instalar en automóviles, camiones y camionetas con una abertura existente para radio. En muchos casos, se requerirá un kit especial de instalación para montar la radio dentro de la consola. Estos kits están disponibles en tiendas de suministros electrónicos y talleres especialistas en estéreos de automóviles. Siempre verifique el uso del kit antes de comprarlo para asegurarse que el kit funciona para su vehículo. Si tiene problemas para ubicar un kit o necesita asistencia de instalación, contacte al soporte técnico al 1-800-323-4815 de 9:00am a 6:00pm EST De Lunes a Viernes.

### Herramientas y Suministros

Se necesitan las siguientes herramientas y suministros para instalar la radio:

- Destornilladores del tipo Torx, cabeza plana y Philips
- Cortador y Pelador de Alambre
- Herramientas para quitar la radio existente (destornillador, conjunto llaves de conector u otras herramientas)
- Cinta Aisladora Eléctrica
- Herramienta Enruladora
- Voltímetro/lámpara de prueba
- Conexiones de enrulado
- Cable calibre 18 para conexiones de energía
- Cables de parlantes calibre 16 –18

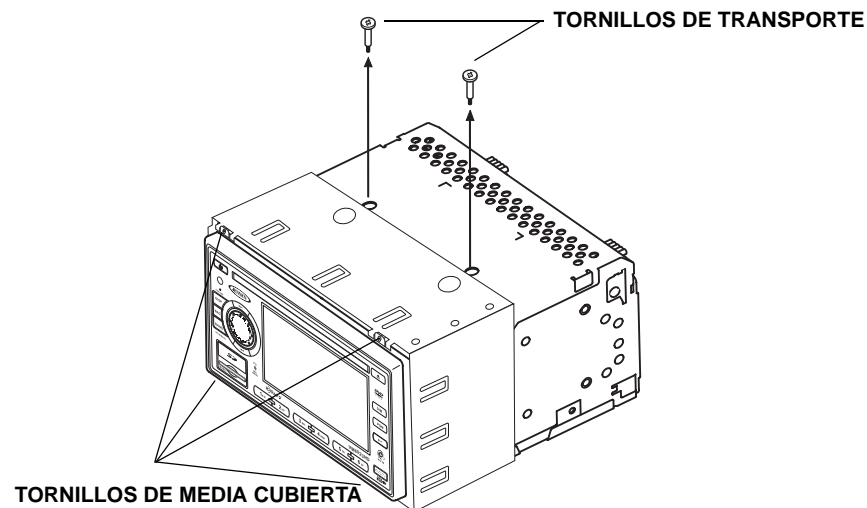
### Preparación

#### 1. Desconectar la Batería

Antes de comenzar, siempre desconecte el terminal negativo de la batería.

**NOTA: Si el VM8023HD será instalado en un automóvil equipado con una computadora de abordo o de navegación, no desconecte el cable de la batería. Si se desconecta el cable, podría perderse la memoria de la computadora. Bajo estas condiciones, use un cuidado adicional durante la instalación para evitar provocar un cortocircuito.**

#### 2. Quitar los Tornillos de Transporte

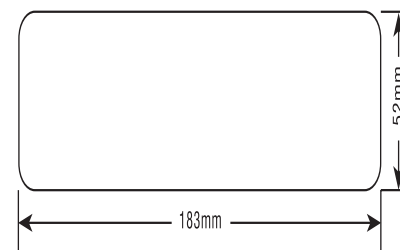


#### 3. Quitar Radio de la Cubierta

Quitar los cuatro tornillos en el frente de la radio para quitar la media cubierta (guarde los tornillos si usa la media cubierta para instalación).

### Como instalar la Cubierta de Montaje

1. Verifique el tamaño de la abertura de la consola deslizando la cubierta de montaje dentro de ella.



Si la abertura es muy pequeña, corte cuidadosamente o lime lo necesario hasta que la cubierta se deslice fácilmente dentro de la abertura. No fuerce la cubierta dentro de la abertura o provoque que esta se doble o tuerza. Verifique que haya suficiente espacio en la parte trasera de la consola para el chasis de la radio.

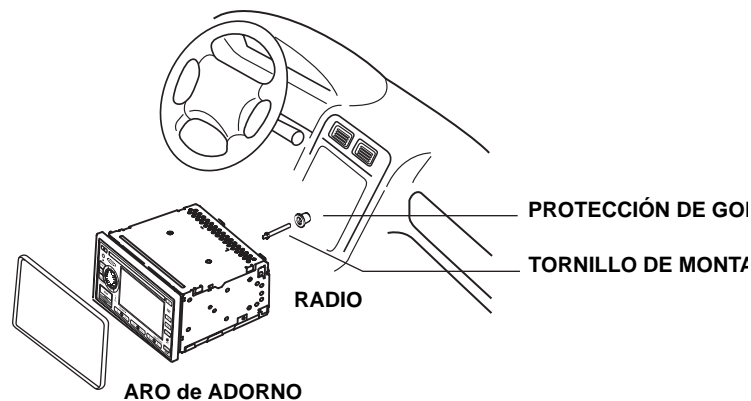
2. Ubique la serie de pestañas dobladas a lo largo de la parte superior, inferior, y laterales de la cubierta de montaje. Con la cubierta completamente insertada dentro de la abertura de la consola, doble

hacia afuera la cantidad necesaria para que la cubierta esté firmemente asegurada a la consola.

**PRECAUCIÓN:** Para el funcionamiento correcto del reproductor de DVD, el chasis debe montarse dentro de los 20° de la horizontal. Asegúrese que la unidad se monta sin esta limitación.

3. Coloque la radio frente a la abertura de la consola de forma tal que el cableado pueda pasarse por la cubierta de montaje. Siga el diagrama de cableado y asegúrese que todas las conexiones están seguras y aisladas con tuercas de cables o cinta aisladora eléctrica. Vea "Cableado" en página 25. Después de terminar las conexiones de cableado, encienda la unidad para confirmar el funcionamiento (el interruptor de encendido del vehículo debe estar en "on"). Si no funciona, vuelva a verificar todo el cableado hasta corregir el problema.
4. Asegúrese que la radio está con el lado correcto hacia arriba, luego deslice cuidadosamente la radio dentro de la cubierta, y asegúrela con los cuatro tornillos de media cubierta.
5. Asegure la parte posterior de la unidad al cuerpo del automóvil usando los tornillos de soporte y la protección de goma.
6. Pruebe la radio usando las instrucciones de "Operación" que siguen.

### Kit de Instalación



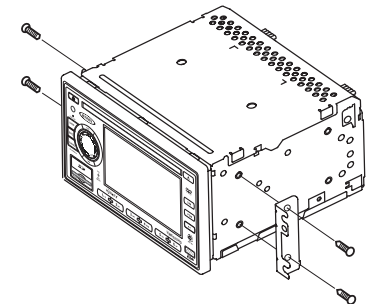
Si su vehículo requiere el uso de un kit de instalación para montar esta radio, siga las instrucciones incluidas en el kit de instalación para adosar la radio a la placa de montaje provista con el kit.

1. Cablear y probar la radio como se indica en las instrucciones de Instalación de la Cubierta de Montaje.
2. Instale la radio/ Conjunto de placa de montaje al sub-tablero de acuerdo a las instrucciones en el kit de instalación.

3. Volver a colocar el panel de adorno del tablero

### Instalación ISO

La unidad tiene agujeros roscados en los paneles laterales del chasis los cuales podrían ser usados con los soportes de montaje originales de fábrica de algunos vehículos para montar la radio a la consola. Por favor consulte con su taller local especializado en estéreos de automóvil para su asistencia sobre este tipo de instalación.



1. Quitar la radio de fábrica existente de la consola o el montaje de la consola central. Guarde todo el hardware y soportes debido que serán usados para montar la nueva radio.
2. Cuidadosamente destrabe el marco plástico del frente del chasis de la radio nueva. Quitar y desechar el marco.
3. Quitar los soportes de montaje de fábrica de la radio existente y adosarlos a la nueva radio. No exceder el tamaño máximo de tornillo M5 X 9 MM. Tornillos más largos podrían dañar componentes dentro del chasis.
4. Cablear la nueva radio como se indica en las instrucciones de Instalación de la Cubierta de Montaje.
5. Monte el nuevo conjunto de radio a la consola o consola central usando el procedimiento inverso en el paso 1.

### Fusibles

Cuando reemplaza un fusible, asegúrese que el nuevo fusible es del tipo y amperaje correctos. El usar un fusible incorrecto podría dañar la radio.

### Reconecte la Batería

Cuando el cableado esté terminado, reconecte el terminal negativo de la batería.

### Como Quitar la Radio

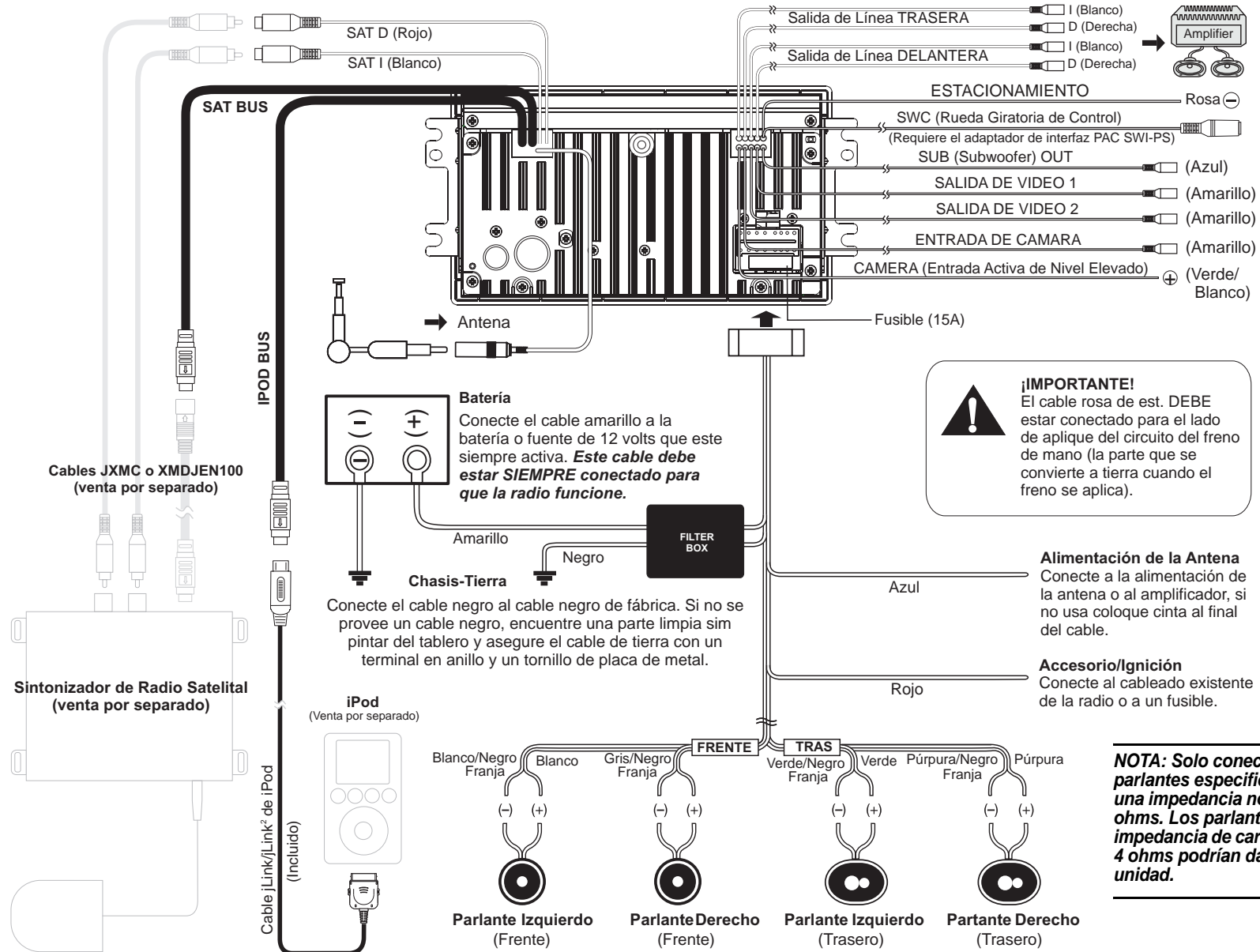
Para quitar la radio después de la instalación, primero quite el frente. Luego, quite el anillo a presión agarrando firmemente un lado y tirando. Inserte las llaves de remoción hacia atrás en forma recta hasta que enganchen, luego tire para sacar la radio. Si las llaves de remoción están insertadas en ángulo, no engancharán adecuadamente y no liberarán la unidad.

### Asistencia Técnica

Si requiere asistencia, contacte al Soporte Técnico al 1-800-323-4815 de 9:00am a 6:00pm EST De Lunes a Viernes.

# CABLEADO

**NOTA:** El amplificador en esta radio está solo diseñado para usar con cuatro parlantes. Nunca combine (puentear) salidas para usar con dos parlantes. Nunca conecte a tierra los terminales negativos de parlantes a la conexión a tierra del chasis. El no seguir el cableado exactamente como se muestra podría causar daños eléctricos a la radio.



**¡IMPORTANTE!**  
El cable rosa de est. DEBE estar conectado para el lado de aplique del circuito del freno de mano (la parte que se convierte a tierra cuando el freno se aplica).

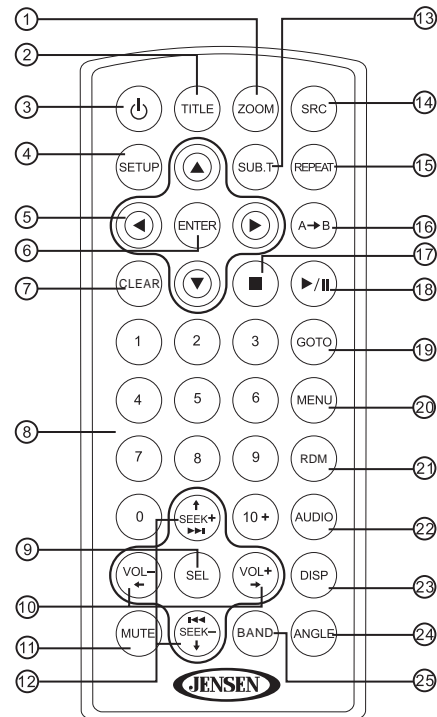
**Alimentación de la Antena**  
Conecte a la alimentación de la antena o al amplificador, si no usa coloque cinta al final del cable.

**Accesorio/Ignición**  
Conecte al cableado existente de la radio o a un fusible.

**NOTA:** Solo conecte parlantes especificados con una impedancia nominal de 4 ohms. Los parlantes con una impedancia de carga menor a 4 ohms podrían dañar la unidad.

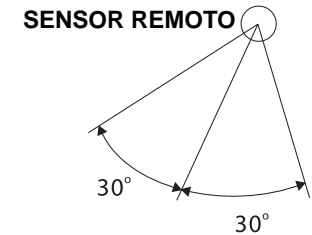
## OPERACIÓN DE CONTROL REMOTO

El control remoto le permitirá controlar las funciones avanzadas del VM8023HD.



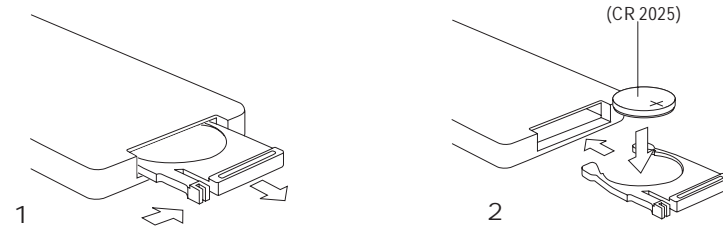
### Rango de Funcionamiento

El sensor del control remoto (19) está ubicado cerca de la parte inferior del panel frontal, a la izquierda de la pantalla LCD. El control remoto puede funcionar a una distancia dentro de los 3 a 5 metros.



### Como Reemplazar la Batería

Cuando el rango de funcionamiento del control remoto se acorta o deja de funcionar, reemplace la batería con una nueva batería de litio. Asegúrese de conservar la adecuada polaridad, como se indica a continuación.



## FUNCIONES DE CONTROL REMOTO

Table 1: Funciones de Control Remoto

#	Botón	Sintonizador	SAT	CD	iPod	DVD
1	ZOOM					Agrandar Imagen
2	TÍTULO				Seleccionar modo de Video	Ver Pantalla de Título de DVD
3	Encendido	Encendido; <i>Presione y mantenga</i> para apagar la unidad.	Encendido; <i>Presione y mantenga</i> para apagar la unidad.	Encendido; <i>Presione y mantenga</i> para apagar la unidad.	Encendido; <i>Presione y mantenga</i> para apagar la unidad.	Encendido; <i>Presione y mantenga</i> para apagar la unidad.
4	CONFIGURACIÓN	Muestra el Menú de Configuración	Muestra el Menú de Configuración	Muestra el Menú de Configuración	Muestra el Menú de Configuración	Muestra el Menú de Configuración
5	Flechas de Navegación	Abajo/arriba: Navegación Prefijada	Abajo/arriba: Navegación Prefijada	Abajo/arriba: Navegación de Pantalla; Izquierda/Derecha: Navegación de Carpeta	Abajo/arriba: Navegación de pantalla:	Izquierda/Derecha: Retroceso Rápido/Avance Rápido; Arriba/Abajo Retroceso Lento/Avance Lento
6	ENTER	Confirma Ingreso	Confirma Ingreso	Confirma Ingreso	Confirma Ingreso	Confirma Ingreso
7	CLEAR					
8	Ingreso Directo		Ingreso Directo de Canal		Ingreso de Pista Directa	
9	SEL	Modo de Audio: Seleccione BAS, TRE, BAL, FAD; <i>Presione y mantenga</i> para Menú de Sistema	Modo de Audio: Seleccione BAS, TRE, BAL, FAD; <i>Presione y mantenga</i> para Menú de Sistema; ENTER en Modo Categoría	Modo de Audio: Seleccione BAS, TRE, BAL, FAD; <i>Presione y mantenga</i> para Menú de Sistema	Modo de Audio: Seleccione BAS, TRE, BAL, FAD; <i>Presione y mantenga</i> para Menú de Sistema	Modo de Audio: Seleccione BAS, TRE, BAL, FAD; <i>Presione y mantenga</i> para Menú de Sistema
10	VOL (Control de Volumen)	Sube/baja Volumen	Selecciona ítem siguiente/previo en Modo Categoría	Sube/baja Volumen	Sube/baja Volumen	Sube/baja Volumen
11	MUTE	Silencia la Salida de Audio	Silencia la Salida de Audio	Silencia la Salida de Audio	Silencia la Salida de Audio	Silencia la Salida de Audio
12	SEEK	Busca el Canal Próximo/Previo; <i>Presione y mantenga</i> para Buscar Canales hacia arriba/abajo	Busca el Canal Próximo/Previo; <i>Presione y mantenga</i> para Buscar Canales hacia arriba/abajo	Busca la Pista Próxima/Previa; <i>Presione y mantenga</i> para Avance/Retroceso Rápido	Busca la Pista Próxima/Previa; <i>Presione y mantenga</i> para Avance/Retroceso Rápido	Busca la Pista Próxima/Previa; <i>Presione y mantenga</i> para Avance/Retroceso Rápido
13	SUB.T					Ve/Cambia el idioma de Subtítulos
14	SRC (Fuente)	Selecciona Modo de Reproducción	Selecciona Modo de Reproducción	Selecciona Modo de Reproducción	Selecciona Modo de Reproducción	Selecciona Modo de Reproducción
15	REPEAT			Repite Pista Actual	Repite Pista Actual	Repite Capítulo Actual
16	Repite A-B			Repite Sección		Repite Sección
17	Detiene/Vuelve			Detiene/Vuelve	Detiene/Vuelve	Detiene/Vuelve
18	Reproduce/Pausa			Reproduce/Pausa	Reproduce/Pausa	Reproduce/Pausa
19	Búsqueda GOTO	Ver Estaciones HD Multi-transmisión; <i>Presione y mantenga</i> para seleccionar: Auto, Digital, Analógica		Va a Área de Disco Específica		Va a Área de Disco Específica
20	MENÚ				Vuelve al Menú Anterior	Ve el Menú de Configuración de DVD; PBC para VCD 2.0 y superiores
21	RDM			Reproduce todas las Pistas en Orden Aleatorio	Reproduce todas las Pistas en Orden Aleatorio	Reproduce todos los Capítulos en Orden Aleatorio


**Table 1: Funciones de Control Remoto**

#	Botón	Sintonizador	SAT	CD	iPod	DVD
22	AUDIO				Selecciona Modo de Audio	Ve/Cambia el idioma de Audio del disco
23	DISP	Ingresar Búsqueda de Programa; <i>Presione y mantenga</i> para fijar el reloj	Muestra el Menú de Ingreso Directo <i>Presione y mantenga</i> para fijar el reloj	<i>Presione y mantenga</i> para fijar el reloj	<i>Presione y mantenga</i> para fijar el reloj	<i>Presione y mantenga</i> para fijar el reloj
24	ÁNGULO					Muestra ángulos alternativos, si están disponibles
25	BANDA	Selecciona la Banda (AM1, AM2, FM1, FM2, FM3)	Selecciona la Banda (SAT1, SAT2, SAT3)			Selecciona PAL, NTSC, AUTO



## OPERACIÓN

### Encendido

Presione el botón  (encendido) (1) para encender la unidad. *Presione y mantenga* el botón de energía nuevamente para apagar la unidad.

---

**NOTA:** Los paneles LCD podrían tomar mas tiempo a responder cuando están sujetos a temperaturas frías por un largo período de tiempo. Además, la visibilidad de los números en el LCD podría disminuir ligeramente. La pantalla LCD volverá a normal cuando la temperatura aumenta a valores normales.

---




### Fuente

Presione el botón **SRC** (6) repetidamente para explorar las distintas fuentes. Una fuente solo es mostrada cuando está disponible (se requiere equipo opcional para algunas fuentes). Los modos disponibles incluyen Radio (FM, AM), SAT, DVD, SD, USB, iPod y auxiliar (AUX IN).

### Dispositivos Externos

Pueden conectarse dispositivos periféricos externos, incluyendo consolas de juegos, camcorders, unidad de navegación, iPod, Zune, etc. al conector **A/V** (18) en el frente de esta unidad usando el cable de Medio de 3.5mm (incluido). Seleccione "SOURCE >> AUX IN" para acceder dispositivos auxiliares. No puede controlar directamente dispositivos externos conectados a las entradas A/V IN.

### Silenciar Audio

Presione el botón  (encendido) (1) para silenciar el volumen de audio. "" aparece en la pantalla. Presione  (energía) nuevamente para volver al nivel de volumen previo.

### Control de Volumen

Para aumentar el volumen, girar el **VOL/SEL/MENU** (codificador giratorio) (2) en sentido horario. Para disminuir el volumen, girar el codificador giratorio en sentido anti horario. Cuando se ajusta el volumen, el nivel de volumen se mostrará en el panel de pantalla como un número que varía desde "0" (más bajo) a "40" (más alto).

### Rueda Giratoria de Control (SWC)

El VM8023HD es compatible con el adaptador SWI-PS de rueda giratoria de control de PAC (Pacific Accessory Corporation). Un conector hembra de 3.5mm (marcado "SWC Interface") en la parte trasera de la unidad principal permite conectividad al adaptador PAC. Por favor refiérase a las

instrucciones incluidas en el adaptador PAC para información detallada de instalación.

Los siguiente controles están disponibles en la mayoría de los vehículos

1. Bajar Volumen
2. Subir Volumen
3. Silenciar
4. Buscar Hacia Abajo / Pista Previa
5. Buscar Hacia Arriba / Pista Próxima
6. SRC (Fuente)
7. Banda

### Menú Audio

Presione el botón **VOL/SEL/MENU** (2) para acceder el menú de audio.

Presione el botón **VOL/SEL/MENU** (2) repetidamente para moverse por la lista de opciones de menú.

- Sub\_w: Cuando el Filtro de Bajos está activado (ver "Menú de Operación" on page 30), puede usar el codificador giratorio **VOL/SEL/MENU** para ajustar el volumen del subwoofer de "-14" a "0".
- Graves: Gire el codificador giratorio **VOL/SEL/MENU** (2) para ajustar el nivel de graves de "+7" a "-7".
- Agudos Gire el codificador giratorio **VOL/SEL/MENU** (2) para ajustar el nivel de agudos de "+7" a "-7".
- Balance: Gire el codificador giratorio **VOL/SEL/MENU** para ajustar el balance de "R7" (todo a la derecha) a "L7" (todo a la izquierda).
- Fader: Gire el codificador giratorio **VOL/SEL/MENU** para ajustar el compensador de "F7" (todo al frente) a "R7" (todo atrás).

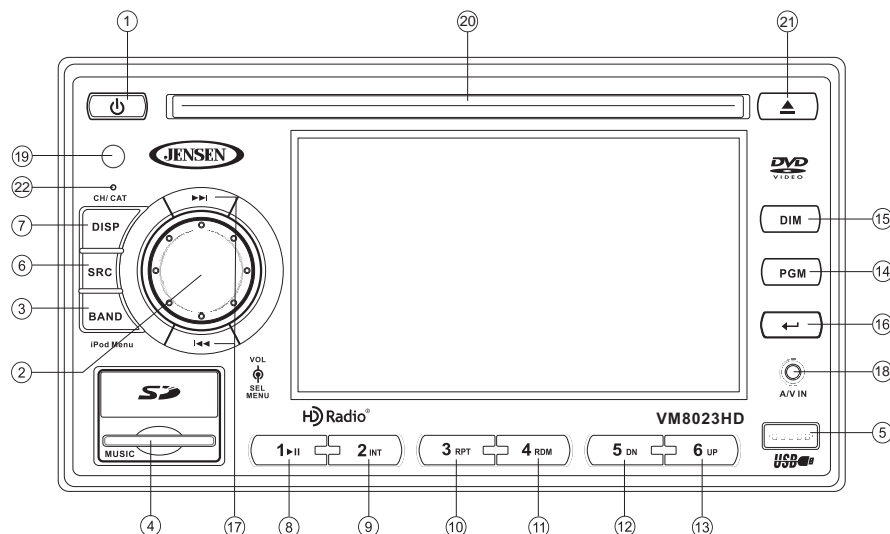
La unidad guarda automáticamente sus cambios y sale del menú de control de audio después de cinco segundos de inactividad.

---

**NOTA:** Este modelo está equipado con una memoria de tono de fuente. Cualquier cambio en los Graves, Agudos, y Sub-w solo se reflejan en la fuente activa.

---

## Menú de Operación



Presione y mantenga el botón **VOL/SEL/MENU** (2) por más de dos segundos para acceder al menú. Presione el botón **VOL/SEL/MENU** (2) para moverse entre las siguientes opciones de menú. Ecualizador, Fijar Sonoridad, Fijar Beep, Modo 12/24 (reloj), Modo Vol, A-VOL, Sub LPF y Fijación de Área. El siguiente procedimiento asume que ya ha accedido al menú.

### Ecualizador

La función ecualizador se aplica a efectos de sonidos prefijados para la señal de salida de audio de la unidad. Gire el codificador giratorio para seleccionar entre las siguientes opciones de ecualizador. "Off", "Rock", "Hip Hop", "Dance" y "Acoustic". Con la función ecualizador activada, si se ajustan los graves o agudos, el Modo EQ vuelve a "Off".

Cuando la función ecualizador está activada, los niveles de graves/agudos seleccionados más recientemente no pueden ajustarse. Cuando la función ecualizador no está activada, la unidad retornará a los niveles de graves y agudos seleccionados más recientemente.

### Fijación de sonoridad

Cuando escucha música a bajos volúmenes, esta función refuerza selectivamente determinadas frecuencias de graves y agudos. "Off" es la fijación predeterminada. Gire el codificador giratorio para seleccionar "On".

### Fijación de Beep

La función de tono beep permite la selección de un tono beep audible para ser escuchado cada vez que se accede al menú. "On" es la fijación predeterminada. Gire el codificador giratorio para seleccionar "Off".

### Modo 12/24

Esta opción permite la selección de un formato de reloj de 12 o 24 horas. "12 Horas" es la fijación predeterminada. Girar el codificador giratorio para cambiar el formato de reloj a 24 horas.

### Modo Vol

Gire el codificador giratorio para seleccionar "Última" o "Ajustar".

- Última: Cuando se enciende la unidad, el volumen volverá al nivel seleccionado la última vez en que se apagó la unidad.
- Ajustar: Si elige "Ajustar", use la preferencia A-VOL para especificar un volumen de encendido.

### Volumen de encendido (A-VOL)

Después de seleccionar "Ajustar" para el Modo Vol, presione el botón **VOL/SEL/MENU** para seleccionar la fijación A-VOL y luego girar el codificador seleccionado para el nivel de volumen de encendido deseado. Cuando está seleccionada la opción, la unidad volverá al volumen ajustado cada vez que se enciende la unidad.

### Sub LPF (Filtro de Baja Frecuencia)

Después de conectar un subwoofer a la parte trasera de la unidad, gire el codificador giratorio para seleccionar una frecuencia de cruce: OFF, 80, 120 o 160Hz.

### Fijar Área

Esta opción le permite seleccionar el espaciado de frecuencia adecuada para su área. "U.S.A." es la fijación predeterminada. Gire el codificador giratorio para seleccionar "EUROPA".

### Reductor de luz

Presione el botón **DIM** (15) en el panel frontal para atenuar al pantalla a 1/2. Presione nuevamente para oscurecer completamente la pantalla. Presione una tercera vez para volver al brillo completo.

### Fijación de Reloj

1. Presione y mantenga el botón **DISP** (7) hasta que el reloj parpadee.
2. Presione el codificador giratorio **VOL/SEL/MENU** (2) para fijar los minutos.
3. Presione el botón **VOL/SEL/MENU** (2) para confirmar y mover al campo de horas.

4. Presione el codificador giratorio **VOL/SEL/MENU** (2) para fijar las horas.
5. Presione el botón **DISP** para fijar el reloj y salir de la función de fijar el reloj.

#### **Botón de Restaurar**

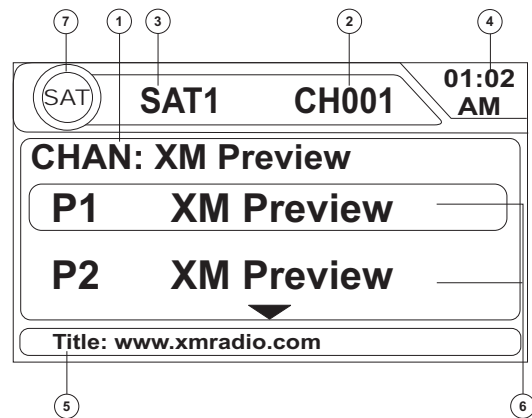
El botón **RESTAURAR** (22) está ubicado en el panel frontal debajo del botón de encendido . El restaurar la unidad borrará la hora y las memorias prefijadas. Solo debería activarse luego de la instalación inicial después de haber completado el cableado, o si hay algún mal funcionamiento de alguno de los interruptores de la unidad. En estos casos, el presionar el botón **RESTAURAR** limpiará el sistema y vuelve la unidad a las operaciones prefijadas.

## OPERACIÓN DE RADIO SATELITAL

Los oyentes pueden suscribirse a XM<sup>®</sup> Radio en la Web visitando [www.xmradio.com](http://www.xmradio.com), o llamando al (800) 967-2346. Los clientes deberían tener preparada su ID de Radio (ver "Como mostrar el código de identificación (ID)"). Los clientes pueden recibir un número limitado de canales libres al aire sin activación.

### Como Acceder al Modo de Radio Satelital

Presione el botón **SRC** en el panel frontal o el control remoto (14) para cambiar a fuente SAT.



1. Nombre de Canales SAT
2. Número de Canal SAT
3. Banda SAT
4. Hora/Reloj
5. Información de Artista y Título
6. Canales Prefijados Actuales
7. Indicador de Fuente

### Como mostrar el código de identificación (ID)

Antes que pueda escuchar la radio satelital, debe suscribirse al servicio usando su número de identificación de radio. Para mostrar la ID de radio, presione el botón **DISP** tres veces o use el botón **|<<** de sintonía (17) para sintonizar el canal "000". La pantalla muestra la ID de radio donde el nombre del canal es generalmente mostrado.

### Seleccionar una Banda

Presione el botón **BAND** (3) para cambiar entre tres bandas SAT (SAT1, SAT2 y SAT3). Cada banda almacena hasta seis estaciones predeterminadas.

### Como Seleccionar una Estación

Presione el botón **>>|** o **|<<** de sintonía (17) para sintonizar otra estación.

### Modo Predeterminar

Seis botones numerados de prefijado almacenan y activan estaciones para cada banda. Las seis estaciones almacenadas (P1-P6) para la banda actual pueden verse en la pantalla. Use los botones de flecha arriba/abajo del control remoto (5) para navegar por la lista.

### Como almacenar una Estación

1. Seleccione una banda (si es necesario), luego seleccione una estación.
2. Presione y mantenga un botón de prefijado (números 1-6) en el panel frontal o el control remoto.
3. El número prefijado y la estación aparecen resaltados.

### Como activar una Estación

1. Seleccione una banda (si es necesario).
2. Presione un botón prefijado del panel frontal o control remoto (números 1-6) para seleccionar la estación almacenada correspondiente.

### Búsqueda de Canal

Para acceder al modo Búsqueda de Canal, presione el botón **DISP** (7). La lista de todos los canales disponibles aparece en la pantalla.

1. Girar el codificador giratorio **VOL/SEL/MENU** (2) en el panel de control o presione las teclas de flechas arriba/abajo (5) en el control remoto para navegar la lista de canales.
2. Presione el botón **VOL/SEL/MENU** en el panel de control o el botón **ENTER** (6) en el control remoto para seleccionar un canal.

### Búsqueda de Categoría

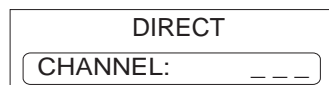
1. Para acceder al modo Búsqueda de Categoría, presione el botón **DISP** (7) dos veces. La lista de todas las categorías disponibles aparece en la pantalla.



2. Girar el codificador giratorio **VOL/SEL/MENU** (2) en el panel de control o presione las teclas de flechas arriba/abajo (5) en el control remoto para navegar la lista de categorías.
3. Presione el botón **VOL/SEL/MENU** en el panel de control o el botón **ENTER** (6) en el control remoto para seleccionar la categorías deseada. Una lista de estaciones en la categoría seleccionada aparece en la pantalla.
4. Girar el codificador giratorio **VOL/SEL/MENU** en el panel de control o presione las teclas de flechas arriba/abajo en el control remoto para navegar la lista de estaciones en la categoría seleccionada.
5. Presione el botón **VOL/SEL/MENU** en el panel de control o el botón **ENTER** (6) en el control remoto para seleccionar una estación.

### Ingreso Directo de Canal

1. Para ingresar directamente una estación de radio, presione el botón **DISP** en el panel frontal (7) o el control remoto (23) tres veces para mostrar la pantalla de ingreso DIRECTO de canal.



Ingrese la estación de radio deseada usando el teclado numérico del control remoto (8) seguido del botón **ENTER**, o realice los siguientes pasos:

1. Gire el codificador giratorio **VOL/SEL/MENU** para seleccionar el tercer dígito del canal deseado (0-9).

2. Presione el botón **VOL/SEL/MENU** para ingresar el número y moverse a la segunda posición.
3. Gire el codificador giratorio nuevamente para seleccionar el segundo dígito del canal deseado (0 - 9).
4. Presione el botón **VOL/SEL/MENU** para ingresar el segundo número y moverse a la primera posición. (*Presione y mantenga* si el canal tiene solo 2 dígitos y está listo para sintonizar el canal.)
5. Gire el codificador giratorio nuevamente para seleccionar el primer dígito del canal que desea sintonizar a (0 -2).
6. Presione el botón **VOL/SEL/MENU** para sintonizar la estación seleccionada.

## OPERACIÓN DE RADIO

### Acerca de la Tecnología HD Radio™

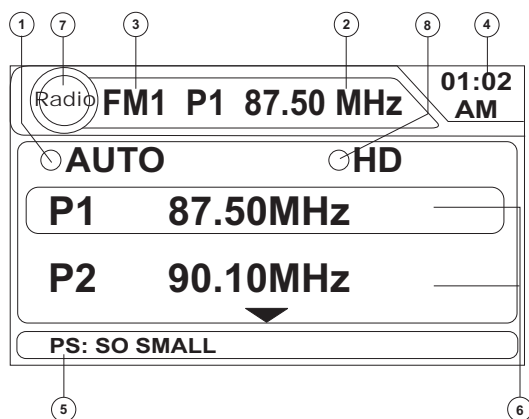
La tecnología HD Radio permite la difusión digital de calidad CD de sus estaciones locales de radio AM y FM. La difusión de HD Radio puede incluir canales múltiples en la misma frecuencia, lo cual se llama multidifusión. Con multidifusión, puede recibir hasta ocho canales adicionales de multidifusión: HD1~HD8.

Con su radio VM8023HD recibirá transmisiones digitales de HD Radio automáticamente cuando sintoniza una estación que ofrece tecnología de HD Radio.

**NOTA: No todas las estaciones FM o AM ofrecen transmisión de HD Radio (digital). Puede recibir estaciones analógicas y digitales con el VM8023HD.**

### Como Acceder al Modo Radio

Presione el botón **SRC** (6) en el panel frontal o el control remoto (14) para cambiar a la fuente RADIO.

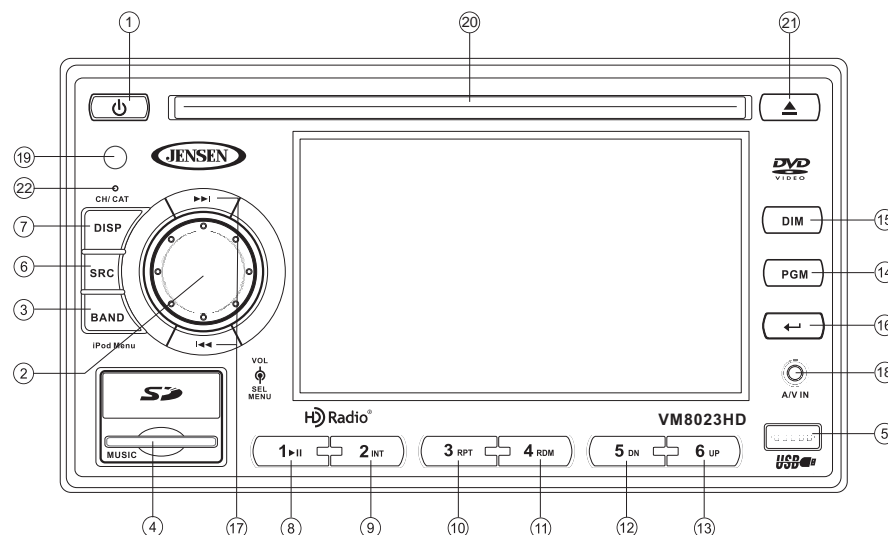


1. Indicador de Recepción Auto, Digital, Analógica
2. Frecuencia de Estación Radio
3. Banda AM/FM
4. Hora/Reloj
5. Información de Programa: Artista, Título, Tipo

*NOTA: La cantidad de información mostrada cuando recibe una señal de HD Radio depende de lo que se está transmitiendo. Algunas*

*estaciones transmiten sus letras de identificación (nombre), el nombre del artista, el título de la canción, y la categoría de la música.*

6. Canales Prefijados Actuales
7. Indicador de Fuente
8. Indicador de Estación Radio HD



### Como Seleccionar la Banda AM/FM

Presione el botón **BAND** (3) para cambiar entre la banda de AM y FM.

### SINTONIZADOR

#### Buscar Sintonización

Presione los botones **TUNE/TRACK >>|** o **|<<** (17) para buscar automáticamente la estación próxima/previa.

#### Sintonizado Manual

Presione y mantenga los botones **TUNE/TRACK >>|** o **|<<** (17) para ingresar al modo de sintonizado manual. Presione los botones nuevamente para mover el número de frecuencia de radio hacia arriba o abajo un paso.

#### Canales de HD Radio Multidifusión

Para sintonizar un canal de HD Radio Multidifusión, sintonice la señal principal y luego presione el botón **PGM** (14) en el control remoto. Se mostrará una lista de canales multidifusión (HD-1, HD-2 etc).

- Use el codificador giratorio para navegar la lista y luego presione para seleccionar el canal de multidifusión.
- Use las teclas flecha en el control remoto y el botón **ENTER** para seleccionar un canal multidifusión.

*Presione y mantenga* el botón **PGM** para cambiar entre "Auto", "Digital" y "Analog". Cuando se fija en "AUTO", la estación será recibida primero en Analógico pero cambiará a digital cuando se detecta una señal digital y el icono HD se iluminará. Si la señal digital deja de estar disponible, la unidad vuelve a la recepción Analógica.

### **Búsqueda de Programa**

Para ver las categorías de Tipo de Programa cuando escucha una emisión de Radio HD, presione el botón **DISP** en el panel de control (7) o el control remoto (23). Las categorías de tipos de programas se listan, permitiendo a los oyentes encontrar programación similar por género. Cuando se selecciona una categoría de Tipo de Programa, la radio comenzará a buscar estaciones que difunden en la categoría seleccionada. Use los botones **TUNE/TRACK >>|** o **|<<** (17) para cambiar de categoría.

### **Estaciones Prefijadas**

Puede almacenar hasta 18 predeterminadas para FM y 6 predeterminadas para AM, las cuales pueden llamarse instantáneamente presionando el botón predeterminado asociado (8-13). Para almacenar una estación encienda la radio y seleccione la banda y estación deseada. *Presione y mantenga* el botón predeterminado deseado (numerado de una a seis en el frente de la radio o el control remoto) por más de dos segundos. Cuando se almacena, el número prefijado aparecerá en la pantalla. Ahora la estación está almacenada y puede volver a llamarse presionando el botón predeterminado correspondiente. Repetir para las restante cinco predeterminadas en la banda actual y para predeterminadas en las otras cuatro bandas.

---

**NOTA: Las estaciones de multidifusión pueden almacenarse como predeterminadas, pero la unidad debe estar en modo de recepción Digital o Auto para recibirlas.**

---

### **Búsqueda de Vista Previa**

Presione el botón **←** (16) para explorar y reproducir todas las estaciones fuertes por 5 segundos cada una. Presione **←** nuevamente para detener la exploración y reproducir la estación actual.

### **Almacenamiento Automático**

*Presione y mantenga* el botón **←** (16) para seleccionar 18 estaciones fuertes de FM o 6 de AM y almacenarlas para acceso rápido usando la función de Almacenamiento Automático (AS). AS solo almacena estaciones para la banda actual. Después de ingresar las estaciones en memoria, la unidad se detendrá automáticamente en cada estación por cinco segundos, permitiendo una vista previa de cada selección. Cuando usa la función AS, las nuevas estaciones reemplazarán cualquier estación ya almacenada en la memoria de predeterminados.

---

**NOTA: Puede detener la función de Almacenamiento Automático en cualquier momento presionando el botón **←** nuevamente.**

---

## REPRODUCCIÓN DE DISCO/MP3/WMA

### Como Insertar y extraer un Disco

Inserte un disco, con la etiqueta hacia arriba, dentro de la ranura de disco (20). para detener la reproducción del disco y eyectar el disco, presione el botón eject (21).

---

**NOTA: La unidad está diseñada para reproducir solo discos estándar de 5" (12 cm.). No intente usar CD simples de 3" (8 cm.) en esta unidad, con o sin adaptador, dado que se podría producir el daño del reproductor y/o disco. Tales daños no estarán cubiertos por la garantía de este producto.**

---

### Como Cargar una Tarjeta SD

Inserte la tarjeta SD dentro de la ranura de Tarjeta SD (4). la unidad leerá los archivos en la tarjeta automáticamente. Para quitar la tarjeta, primero presione el botón (6) **SRC** para cambiar a otro modo y detener la reproducción SD. Presione la tarjeta SD para hacer saltar la tarjeta, luego quite la tarjeta.

### Como cargar un Dispositivo USB

Inserte su dispositivo USB dentro del conector USB (5) en el frente de la unidad. La unidad leerá automáticamente los archivos en el dispositivo USB.

Para quitar el dispositivo USB, presione el botón (6) **SRC** para cambiar a otro modo y luego de quitar el dispositivo USB del Conector USB.

### Notas sobre reproducción de MP3/WMA

Los archivos de música MP3 y WMA (Windows Media Audio) son archivos de audio digital que están comprimidos para permitir más archivos en un solo CD. Esta unidad puede reproducir MP3/WMA y video directamente de archivos contenidos en un CD-R/RW, DVD-ROM, DVD+RW, DVD-RW, DVD+R, DVD-R y DVD-VIDEO, o una tarjeta SD o un dispositivo USB usando botones en el receptor (o control remoto) como se describe a continuación.

Hay varios tipos de software disponible para convertir archivos de audio en formatos MP3/WMA. Jensen recomienda *Nero* o *Roxio Easy CD Creator*.

Esta unidad puede reproducir MP3 (MPEG1, 2, 2.5 Capa de Audio 3). Sin embargo, los medios de grabación de MP3 y los formatos aceptados están limitados. Cuando graba MP3/WMA, preste atención a las siguientes restricciones.

### Medios Aceptables

Los medios aceptables de grabación MP3/WMA para esta unidad son CD-ROM, CD-R y CD-RW. La unidad también reproducirá archivos MP3, WMA, o fotos grabados en tarjetas SD y dispositivos USB.

Dependiendo del tipo de media y método de grabación, algunos CD-R/RWs podrían ser incompatibles con esta unidad. Cuando usa CD-RW, use el formato completo en lugar del formato rápido para evitar el mal funcionamiento.

Esta unidad soporta reproducción de MP3/WMA y CDDA (CDA), CDs de modo mixto y CD-Extra (incluyendo discos de sesiones múltiples). Los Discos en los cuales la sesión ni se ha cerrado no se reproducirán.

---

**NOTA: Esta unidad soporta sistemas de archivos FAT 16 y FAT 32. La unidad soporta USB 1.1 solamente. pero reproducirá dispositivos USB 2.0 a velocidad de USB 1.1.**

---

### Formatos de Medios Aceptables:

Los siguientes formatos están disponibles para los medios usados en esta unidad. El número máximo de caracteres usados para nombre de archivo incluyendo el delimitador (".") y la extensión de tres caracteres, están indicados en paréntesis.

- ISO 9660 Nivel 1 (11 caracteres)
- ISO 9660 Nivel 2 (31 caracteres)
- Joliet (31 caracteres)
- Romeo (31 caracteres)

Pueden mostrarse hasta 200 caracteres en el formato de nombre largo de archivo. Para una lista de caracteres disponibles, ver el manual de instrucciones del software de escritura y la sección "Como ingresar nombres de archivos y carpetas" a continuación. El medio reproducible en esta unidad tiene las siguientes limitaciones:

- Numero máximo de carpetas jerarquizadas 8
- Numero máximo de archivos por disco 1500
- Numero máximo de carpetas por disco 255

Los archivos MP3/WMA grabados en formatos distintos a los listados anteriormente no se reproducirán satisfactoriamente y sus nombres de archivos no serán mostrados adecuadamente.

### Preferencias de Codificador MP3/WMA y Grabador de CD

Use las siguientes preferencias cuando comprime datos con el codificador de MP3.



- Tasa de Transferencia de Bit: 8 - 320 kbps
- Frecuencia de la Muestra: 8, 11.025, 12, 16, 22.05, 24, 32, 44.1, 48 kHz

Cuando usa un grabador de CR para grabar MP3/WMA hasta la máxima capacidad del disco, desactive escritura adicional. Para grabar un disco vacío hasta la máxima capacidad de una vez, seleccione la opción "disc at once".

**Como ingresar una Etiqueta ID3**

Esta unidad soporta etiquetas ID3 versión 2.0. Para los códigos de caracter, refiérase a la tabla de la derecha.

	0	1	2	3	4	5	6	7	8	9	A	B	C	D	E	F
0				0	@	P	.	p			■	°	À	Ä	à	ä
1		!	1	A	Q	a	q		i	±	Á	Ñ	á	ñ		
2		"	2	B	R	b	r		ç	²	Â	Ö	â	ö		
3		#	3	C	S	c	s		£	³	Ã	Ó	ã	ó		
4		\$	4	D	T	d	t		¤	´	Ä	Ö	ä	ö		
5		%	5	E	U	e	u		¥	µ	Å	Ö	å	ö		
6		&	6	F	V	f	v		!	¶	Æ	Ö	æ	ö		
7		'	7	G	W	g	w		\$	•	Ç	X	ç	±		
8		(	8	H	X	h	x		♪	†	É	Ø	é	ø		
9		)	9	I	Y	i	y		©	¹	É	Ú	é	ú		
A		*	:	J	Z	j	z		ª	²	Ê	Û	ê	û		
B		+	;	K	[	k	{		»	³	Ë	Ü	ë	ü		
C		,	<	L	\	l			¼	´	Ì	Ù	ì	ù		
D		-	=	M	]	m	}		½	ˆ	Í	Ý	í	ý		
E		.	>	N	^	n	~		¾	˜	Î	Ï	î	ï		
F		/	?	O	_	o	■		—	¸	Ï	Ï	ï	ÿ		

**Como ingresar nombres de Archivo y Carpeta**

Los nombres que usan los caracteres de lista de código son los únicos nombres de archivo y nombres de carpeta que pueden ingresarse y mostrarse. El usar cualquier otro caracter causará que los nombres de archivo y carpeta se muestren incorrectamente. La unidad reconoce y reproduce solo archivos con la extensión MP3/WMA.

**NOTA: Un nombre de archivo ingresado con caracteres que no están en la lista de código podrían no reproducirse correctamente.**

**Protección Electrónica contra Choque**

- 10 segundos para CD-DA (CDA)
- >45 segundos para MP3 grabado a 44.1kHz, 128kbps
- >90 segundos para WMA grabado a 44.1kHz, 128kbps

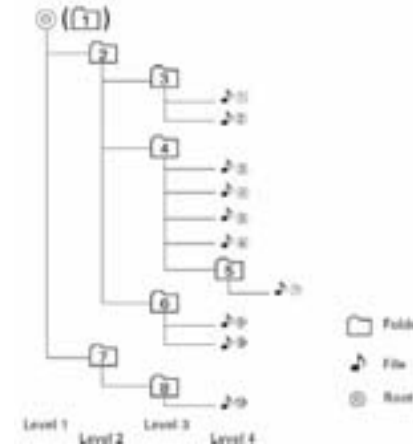
**Velocidades de Transferencia**

Esta unidad soporta velocidades de transferencia de 32 a 320 kbps.

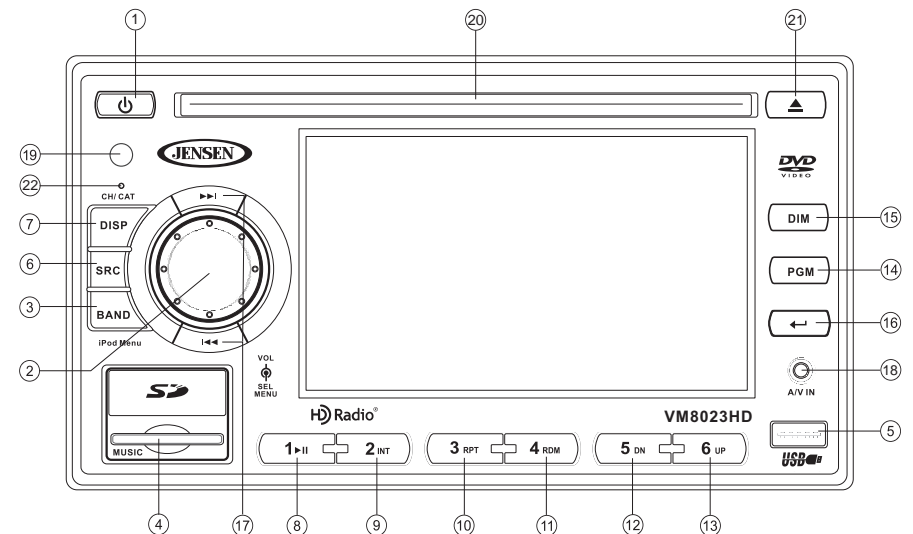
**Orden de Reproducción MP3**

Cuando se seleccionan para reproducción, archivos y carpetas (Búsqueda de Carpeta, Búsqueda de Archivo o Selección de Carpeta) son accedidos en el orden que fueron grabados en el medio. Como resultado, la orden en cual se espera que sean reproducidos podría no coincidir con el orden en que son realmente reproducidos. Podría fijar el orden en el cual los archivos MP3/WMA serán reproducidos asignando los nombres de archivos que comienzan con los números de secuencia de reproducción tales como "01" a "99".

Por ejemplo, un medio con la siguiente organización de carpeta/archivo está sujeto a Búsqueda de Carpeta, Búsqueda de Archivo o Selección de Carpeta, como se muestra a continuación.

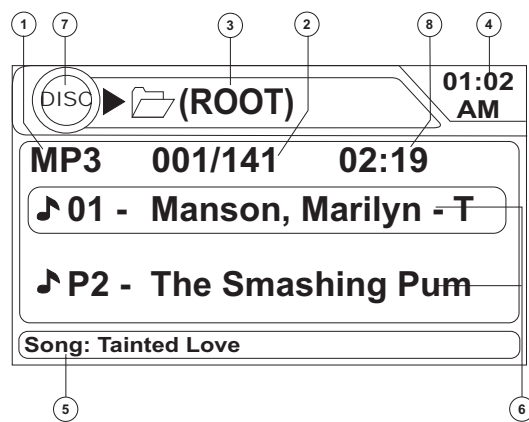


El reproductor VM8023HD solo reconocerá tres niveles de carpeta y no muestra carpetas que contienen solo otras carpetas.. En el ejemplo de arriba, la unidad mostrará las carpetas 3, 4, 6, y 8, pero no 2 y 7 dado que no contienen ninguna pista directamente. La carpeta 5 no es reconocida para nada dado que está en el cuarto nivel.



## Como cambiar la Fuente

Si ya hay un disco en la ranura pero no está reproduciéndose, presione el botón **SRC** (6) en el panel frontal o el control remoto (14) para cambiar la fuente a DISC. La reproducción de un SD o USB que ya está insertado, elija la fuente CARD o USB. La pantalla de reproducción MP3 está indicada a continuación:



1. Indicador CD/MP3/WMA
2. Actual de Total de Pistas
3. Nivel de Carpeta Actual
4. Hora/Reloj
5. Información de Artista y Título ID3 (solo MP3)
6. Canciones en el Disco
7. Indicador de Fuente
8. Tiempo Transcurrido de Reproducción de Canción Actual

## Como controlar la Reproducción de Disco o Archivo

### Pausa

Presione el botón 1/>|| (8) para suspender la reproducción. Presione el botón 1/>|| (8) para volver a la reproducción. Las pistas se reproducen en el orden que están grabadas en el disco/tarjeta, a menos que se indique otra operación.

### Parar

Presione y mantenga para detener la reproducción. Si está viendo videos o fotos, el sistema vuelve al menú de archivo.

## Selección de Pista

Presione los botones **TUNE/TRACK >>|** o **|<<** (17) por menos de un segundo para avanzar a la siguiente pista/archivo. El número de pista seleccionada aparecerá en la pantalla.

## Navegar Archivos

Los botones **5/DN** (12) y **6/UP** (13) son usados para navegar hacia arriba y abajo dentro del menú archivo. Presione y mantenga para moverse arriba/abajo un nivel de carpeta. El nombre de carpeta actual se muestra en la parte superior de la pantalla.

## Avance/retroceso Rápido

Presione y mantenga los botones **TUNE/TRACK >>|** o **|<<** (17) para avance rápido o retroceso rápido. Presione y mantenga una vez para 2X. Presione y mantenga veces adicionales para 4X, 8X, 20X o PLAY. Presione el botón play/pause >|| (8) para finalizar avance o retroceso rápido y volver a la reproducción normal.

## Ingresar Búsqueda (INT)

Durante la reproducción, presione el botón **2/INT** (9) para seleccionar "INTRO" y reproducir los primeros 10 segundos de cada pista/archivo, como se indica por el símbolo ↕. Cuando se alcanza la pista deseada, presione nuevamente **2/INT** para finalizar la exploración y reproducir la pista seleccionada.

## Repetir (RPT)

Presione el botón **3/RPT** (10) varias veces durante la reproducción para seleccionar entre las siguientes opciones de repetición de reproducción:

- VCD/CD: REP ONE (pista), REP ALL (disco), REP OFF
- DVD: RPT CHAPTER, RPT TITLE, RPT OFF
- MP3/WMA: Repetir Archivo, Repetir Directorio/Carpeta, Repetir Todo (disco), Repetir Off

## Aleatorio (RDM)

Presione el botón **4/RDM** (11) durante la reproducción para seleccionar "RANDOM" y reproducir todas las pistas/archivos en orden aleatorio. Presione **4/RDM** nuevamente para detener la reproducción aleatoria.

## Repetir Sección (A-B)

Para repetir una sección especificada de una pista, realice los siguientes pasos:

1. Presione el botón **A->B** (16) en el control remoto para seleccionar un punto de inicio. La pantalla mostrará "REPEAT A-".

- Presione **A->B** cuando alcanza el punto final deseado. La pantalla muestra "REPEAT A-B" y la sección seleccionada se reproducirá repetidamente.

Para cancelar la repetición de sección, presione nuevamente el botón **A->B**. "A-B CANCEL" aparece en la pantalla.

### Acceso GOTO a tiempo de Pista

Use la función GOTO para acceder directamente una posición específica en una pista.

- Presione el botón (19) **GOTO** en el control remoto. La Búsqueda Aparecerá la ventana (Time --:--:--).
- Use las teclas numéricas en el control remoto para ingresar el momento exacto de la pista actual desde la cual desea reproducir nuevamente.
- Presione el botón **ENTER** para confirmar y comenzar la reproducción desde el momento de la pista seleccionada.

### Control de Reproducción VCD (Solo VCD)

Si inserta un VCD con control de reproducción, la reproducción inicia automáticamente en el comienzo de la primera pista. Presione el botón **MENU** (20) en el control remoto para cambiar la función control de reproducción "On"/"Off".

### Dispositivos adicionales de Reproducción de DVD/Video

---

**NOTA: No puede ver video mientras conduce el automóvil. Cuando intenta ver un video mientras el freno de estacionamiento no está aplicado, aparecerá el siguiente mensaje en la pantalla: ¡ADVERTENCIA! Aplique el Freno de Estacionamiento para ver Video.**

---

Las siguientes funciones de control remoto están disponibles durante la reproducción de DVD:

- AUDIO:** Presione para elegir un idioma alternativo de audio, si está disponible. Este botón también podría mostrar distintas opciones de sonido envolvente codificadas en el DVD.
- SUB-T:** Presione para elegir un idioma alternativo de subtítulo, si está disponible.
- TITLE:** Presione para mostrar el título o la lista de capítulo. Use los botones de cursor **▲**, **▼**, **◀** o **▶** los botones numéricos para ingresar un título o número de capítulo, y luego presione **ENTER** para reproducir.
- ANGLE:** Presione para seleccionar un ángulo de visión alternativo, si está disponible.

- ZOOM:** Presione para acercar la imagen a X2, X3, X4, X1/4, X1/2, o seleccione OFF para volver a la vista normal.
- Avance Lento/Retroceso Lento:** Presione los botones **▲/▼** en el control remoto o los botones 5/6 (10, 13) en el panel de control para retroceso lento/reversión lenta. Presione una vez para 1/2 velocidad. Presione veces adicionales para 1/4, 1/6, o 1/8 velocidad. Presione el botón play/pause **>||** (8) para finalizar avance o retroceso rápido y volver a la reproducción normal.

---

**NOTA: La disponibilidad de la función es dependiente de la información incorporada en el DVD.**

---



---

**NOTA: El VM8023HD no soporta la decodificación de Sonido Envolvente.**

---

## COMO CONTROLAR SU iPod

La unidad cambiará automáticamente a modo iPod cuando un iPod es enchufado dentro del cable iPod. Para volver a la pantalla iPod desde cualquier otra fuente, presione el botón (6) **SRC** en el panel frontal y seleccione SOURCE >> iPod. Después de cambiar a la fuente iPod, aparece en pantalla el menú iPod.

---

**NOTA: Asegúrese que su iPod tiene instalado el último Apple firmware para evitar problemas de conectividad.**

---

Los siguientes botones del control remoto se usan para acceder menús de iPod:

Menú	Control Remoto
Música	AUDIO
Fotos/Videos	TÍTULO

Use las flechas de navegación en el control remoto (5) o los botones **5 DN/6 UP** en el panel de control para navegar los menús del iPod. Presione el botón **ENTER (↵)** en el panel frontal (16) o control remoto (6) para seleccionar una opción resaltada de menú.

### Reproducción de Música iPod

El menú de música iPod es accedido automáticamente cuando se conecta un iPod a la unidad o la fuente es cambiada a iPod mientras el iPod está conectado.

- Presione el botón **> ||** en el panel frontal (8) o control remoto (18) para reproducir o pausar una pista seleccionada.
- Presione el botón **>>|** en el panel frontal (17) o el control remoto (12) para reproducir el próximo archivo.
- Presione el botón **|<<** en el panel frontal (17) o control remoto (12) para reproducir el archivo previo.
- Presione el botón **ENTER (↵)** en el panel frontal (16) o control remoto (6) para seleccionar una opción resaltada de menú.
- Presione el botón **BAND** en el panel frontal (3) o control remoto (25) para volver al menú anterior.

### Avance Rápido/Retroceso Rápido

Presione y mantenga los botones **|<< o >>|** en el panel de control (17) o el control remoto (12) por 1 segundo y continúe manteniendo para avance rápido o retroceso rápido. Suelte para volver a la reproducción normal.

### Reproducción de Fotos/Videos

Mientras que las fotos y videos iPod pueden ser vistos en la pantalla VM8023HD, debe usar el iPod para controlar las opciones de reproducción de fotos y videos.

Presione el botón **TITLE** (2) en el control remoto y el VM8023HD liberará el control nuevamente al iPod así puede seleccionar el medio de video a ser mostrado en el monitor TFT. Presione el modo música iPod, presione el botón **PGM** (14) en el panel frontal o el botón **AUDIO** (22) en el control remoto.

También puede *presionar y mantener* el botón **PGM** en el panel frontal para acceder la reproducción de foto/video del iPod en la pantalla TFT de la radio.

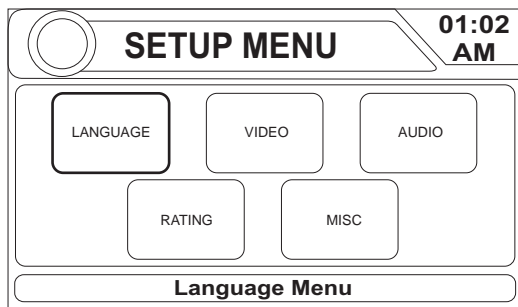
---

**NOTA: Requiere 5ta Generación o superior de Soporte de iPod para Foto/Video. Compatible con iPod 5 o 5.5, iPod Classic, iPod Touch, iPhone e iPod Nano con Video.**

---

## MENÚ DE CONFIGURACIÓN

Durante la reproducción de un disco, presione el botón (4) **SETUP** en el control remoto para acceder el menú SYSTEM SETUP.



Use los botones de cursor **▲**, **▼**, **◀** o **▶** para elegir entre opciones de configuración de IDIOMA, VIDEO, AUDIO, CALIFICACIÓN o MISC.

**Table 2: Menú de Configuración del Sistema**

MENU DE IDIOMA		
Idioma OSD	Inglés	Seleccione el idioma en pantalla adecuado para el DVD
	Español	
Subtítulo	Inglés	Elija el idioma en que desea que aparezcan los subtítulos (si está disponible)
	Francés	
	Español	
	Portugués	
	Alemán	
	Off	Quita los subtítulos
Menú DVD	Inglés	Elija el idioma en que desea que aparezca el Menú de DVD (si está disponible)
	Francés	
	Español	
	Alemán	
	Portugués	
MENU DE VIDEO		
Proporción de Aspecto	4:3	La imagen es presentada con una proporción de aspecto de 4:3.
	16:9	La imagen es presentada en vista amplia con una proporción de aspecto de 16:9.
Formato de Video	NTSC	Las señales de color están en el formato NTSC estándar.
	PAL	Las señales de color están en el formato PAL estándar.

**Table 2: Menú de Configuración del Sistema**

	AUTO	La señal de color cambia automáticamente basada en la señal de entrada de video actual - NTSC o PAL.
Imagen Inteligente	Estándar	
	Brillo	
	Suave	
MENÚ de AUDIO		
Menú Audio	Inglés	Seleccione el idioma de audio adecuado para el DVD.
	Francés	
	Español	
	Alemán	
	Portugués	
MENÚ DE CALIFICACIÓN		
Fijar Contraseña	----	Ingrese una contraseña de 4 dígitos para activar el dispositivo "Calificación". La contraseña original es "0000" y debe ingresarse antes de cambiar la contraseña por un código distinto de 4 dígitos.
CTR Parental	1 KID SAFE	Seleccione el nivel de calificación adecuado para la audiencia deseada.  Podría pasar por encima de calificaciones mayores usando su contraseña.
	2 G	
	3 PG	
	4 PG13	
	5 PG-R	
	6 R	
	7 NC-17	
	8 ADULT	
MENU DE MISC		
Usar preferencias Predeterminadas	Si/No	Seleccione "Si" para restaurar las preferencias prefijadas de fábrica.
Demo	Ejecutar	El Modo Demo navega por distintas pantallas de fuente, simulando actividad en la pantalla. El "Modo Demo" es directamente mostrado en texto amarillo (debajo del reloj), para indicar que la unidad está en Modo Demo. Para detener el Modo Demo, presione y mantenga el botón SRC.
Ejecución Automática	On	Cuando "Demo Auto Run" está en On, la unidad automáticamente mostrará Modo Demo cuando se enciende.
	Off	Cuando "Auto Run" está Off, puede seleccionar "Demo > Run" para iniciar el Modo Demo.

## CUIDADO Y MANTENIMIENTO

### Reproductor de DVD

Las siguientes guías le ayudarán a extender la vida de su reproductor de DVD:

1. Cuando limpia el interior del vehículo, no aplique agua o fluidos de limpieza en la unidad.
2. El reproductor de DVD no funcionará adecuadamente en calor o frío extremo o bajo condiciones de humedad. En caso de estas condiciones, espere a que el interior del vehículo alcance una temperatura normal o cualquier condensación en los lentes del reproductor de disco se haya evaporado antes de usar el reproductor.
3. Siempre quite el disco cuando el reproductor no está en uso.
4. La unidad está diseñada con un mecanismo atenuador de vibraciones de disco para minimizar la interrupción de la reproducción del disco debido a la vibración normal de un vehículo en movimiento. Sin embargo, podrían producirse saltos de sonido ocasionales cuando maneja en rutas muy rudas. Esto no romperá o dañará el disco, y la reproducción normal se reanudará cuando cesen las condiciones rudas.

### Capacidad CD-R y CD-RW

Dependiendo del tipo de media y método de "grabación", algunos CD-R/RWs podrían ser incompatibles con esta unidad. Después de la "grabación", la sesión **debe cerrarse**. Por favor refiérase a los procedimientos recomendados por su software para cerrar un disco/sesión. Revise su software de grabación para familiarizarse con los procedimientos correctos de "grabación". Recomendamos la última versión del software de grabación ROXIO™ o NERO™.

Además, esta unidad solo reconocerá CDDA (Disco Compacto de Audio Digital), formatos .MP3 y .WMA "grabados" sobre un CD-R/RW. **Esta unidad no soporta .WAV, .OGG u otros formatos.**

### Cuidado y Manipulación del Disco

La suciedad, polvo, rayones y ondulaciones pueden producir saltos en la reproducción y deterioro de la calidad de sonido. Por favor siga estas guías para cuidar sus discos compactos.



1. No toque la superficie del disco.
2. Nunca use químicos como sprays o limpiadores hogareños para limpiar discos, dado que pueden dañar irreparablemente la superficie del disco.
3. Los discos deberían mantenerse en sus cajas de almacenamiento cuando no están en uso.
4. No exponga los discos a la luz directa del sol, altas temperaturas o alta humedad por largos períodos.
5. Limpie cuidadosamente las impresiones digitales, polvo y suciedad de la superficie de reproducción del disco con un paño suave. Limpie con movimientos rectos desde el interior al exterior del disco.
6. **No pegue papel, cinta o etiquetas de discos en las superficies del disco, dado que podrían producir daños internos.**

## RESOLUCIÓN DE PROBLEMAS

Problema	Causa	Acción Correctiva
No funciona (la pantalla no enciende)	Sin energía en el cable amarillo; sin energía en el cable rojo	Verifique la conexión con una lámpara de prueba; verifique el fusible del vehículo con una lámpara de pruebas
	Fusible quemado	Reemplace el fusible
Sin energía en la Unidad	Fusible quemado	Verificar/Reemplazar fusible
Sin/baja salida de audio	Conexión de salida de audio inadecuada	Verifique cableado y corrija
	Volumen fijado demasiado bajo	Aumente el nivel de volumen
	Parlantes dañados	Reemplace parlantes
	Equilibrio de volumen fuertemente desviado	Ajuste el equilibrio de canal a la posición central
	Cableado de parlantes en contacto con partes metálicas del automóvil	Aísle todas las conexiones de cableado de parlantes
Fusibles quemados	Cable de energía en corto a tierra	Asegúrese que los cables no están pellizcados
	Cables de parlante en corto a tierra	Asegúrese que los cables no están pellizcados
	Fusible Incorrecto;fusible muy pequeño	Instale un fusible con la especificación correcta
Sin imagen	Conexión incorrecta al cable de freno de estacionamiento	Verifique cableado de Interruptor de Estacionamiento y corrija
	El interruptor de Estacionamiento está conectado pero el Freno de Estacionamiento no está aplicado	Detenga el vehículo en lugar seguro y aplique el freno de estacionamiento
Imagen intermitente o interferencia aparece en la pantalla	el DVD no es compatible con las preferencias actuales del sistema de TV	Cambie la configuración para acomodar el disco
	Conexiones de señal de video inadecuadas	Verifique cableado y corrija
Imagen alargada o inadecuada muestra de relación alto/ancho	Inadecuada configuración de proporción de aspecto	Use la configuración de PROPORCIÓN DE ASPECTO correcta
No reproduce el disco	Disco doblado o roto	Use discos en buenas condiciones
	Disco sucio o mojado	Limpie el disco con un paño suave
	Lector láser sucio	Limpie el lector láser con un disco de limpieza
	Se está usando un disco incompatible	Use disco compatible
	Calificación del disco excede el límite de CALIFICACIÓN	Cambie la configuración de CALIFICACIÓN a una restricción más baja
	Código de región no es compatible con la unidad	Use disco con el adecuado código de región
	El disco está insertado con la cara superior hacia abajo	Inserte el disco con la etiqueta hacia arriba
Imagen borrosa, distorsionada, u oscura	Disco copiado ilegalmente	Use copia original

## ESPECIFICACIONES

### Especificaciones CEA de Potencia



Potencia de salida . . . . . 13 watts RMS X 4 canales sobre 4-ohms @ < 1% THD+N  
 Nivel Señal Ruido . . . . . 70dBa bajo referencia (Referencia: 1 Watt, 4-Ohms)  
 Respuesta de Frecuencia . . . . . 20Hz a 20 kHz, -3dB, entrada auxiliar usada como fuente de referencia  
 Voltaje de Alimentación de Referencia . . . . . 14.4VDC

### Reproductor de DVD/CD

Medio de Disco Compatible . . . . . DVD + R / RW y CD-R / RW  
 Formatos de Disco Compatibles . . . . . CD-DA, MP3, WMA, VCD, SVCD, AVI, MPEG1 / 2, XviD y Kodak picture CD (JPEG)  
 Relación Señal Ruido . . . . . >95dBA  
 Rango Dinámico . . . . . >95dB  
 Respuesta de Frecuencia . . . . . 20Hz a 20 kHz, -3dB  
 Separación de Canal . . . . . > 60dB @ 1 kHz

### Video

Formato . . . . . NTSC, PAL (detección automática)  
 Salida . . . . . 1Vp-p (75-ohm)  
 Entrada . . . . . 1Vp-p (75-ohm)

### Sintonizador Analógico de FM

Rango de Sintonía . . . . . 87.5MHz - 107.9MHz  
 Sensibilidad Mono (-30dB) . . . . . 9dBf  
 Sensibilidad Acallado (-50dB) . . . . . 15dBf  
 Selectividad de Canal Alternativo . . . . . 70dB  
 Relación Señal Ruido @ 1 KHz . . . . . 58dB  
 Rechazo de Imagen . . . . . 80dB  
 Separación Estéreo @ 1 kHz . . . . . >30dB  
 Respuesta de Frecuencia . . . . . 30Hz a -15 kHz, -3dB

### Sintonizador de Radio HD

FM . . . . . Híbrido -89 dbm, (40 dBf), Todo Digital -112 dBm (17dBf)  
 AM . . . . . Híbrido -93 dbm, (36 dBf), Todo Digital -103 dBm (17dBf)  
 Separación Estéreo . . . . . 70 dB  
 Audio THD . . . . . 0.4%  
 Respuesta de frecuencia (+/-3dB) . . . . . 20 Hz - 18 kHz  
 Relación Señal Ruido (Estéreo) . . . . . 70 dB

### Sintonizador AM

Rango de Sintonía . . . . . 530 kHz -1720 kHz  
 Sensibilidad (-20dB) . . . . . 15uV  
 Relación Señal Ruido @ 1 KHz . . . . . 50dB  
 Respuesta de Frecuencia . . . . . 50Hz a 20 kHz, -3dB

### Monitor

Tamaño de Pantalla . . . . . 4.3" Digital (Medida diagonalmente)  
 Área Activa . . . . . 95,04 mm(W) x 53.856 mm (H)  
 Tipo de Pantalla . . . . . Pantalla de Cristal Líquido (LCD) TFT matriz activa  
 Resolución . . . . . 480(W) X 272 (H) sub píxeles  
 Tamaño de punto . . . . . 0,198 mm(W) x 0.198 (H)  
 Tasa de Contraste . . . . . 400  
 Brillo . . . . . 165 cd/m2

### General

Impedancia de entrada Auxiliar . . . . . 10k  
 Alimentación . . . . . 11 a 16VDC, negativo a tierra  
 Energía de Antena (Azul) . . . . . 500mA máx., protección limitada de corriente  
 Temperatura de Funcionamiento . . . . . -20C ~ 65C  
 Fusible . . . . . 15-amp, Tipo ATO  
 Dimensiones de Chasis DIN . . . . . 2.0 DIN (Doble DIN)

*\*Especificaciones sujetas a cambio sin aviso.*



HD Radio™ Technology Fabriqué Sous Licence de iBiquity Digital Corporation. Des brevets des Etats-Unis et d'autres pays étrangers. HD Radio™ et les logos HD et HD Radio sont les marques déposées de iBiquity Digital Corporation.

## Introduction

Félicitations d'avoir acheté un Récepteur Multimédia Portatif Jensen VM8023HD. C'est une bonne idée de lire toutes les instructions avant de commencer l'installation. Nous recommandons que vous fassiez installer votre Jensen VM8023HD par une boutique d'installation de bonne réputation.

## Installation

Cet appareil est conçu pour installation dans des voitures, des camions et des camionnettes avec une ouverture radio existante. Dans beaucoup de cas, une trousse d'installation spéciale sera requis pour monter la radio sur le tableau de bord. Ces trousse sont disponible dans des boutiques de fournitures électroniques et des boutiques de spécialisation en stéréo voiture. Vérifiez toujours votre trousse d'application avant de l'acheter afin de vous assurer que la trousse est compatible avec votre véhicule. Si vous avez des problèmes trouver une trousse ou avez besoin d'aide d'installation, prenez contact avec Technical Support à 1-800-323-4815 de 9H à 18H EST de lundi à vendredi.

### Outils et fournitures

Les outils et fournitures suivants seront nécessaires pour installer la radio :

- Des tournevis à point à six lobes, à tête fraisée et Philips
- Coupe-fils et dénudeurs
- Outils pour enlever la radio existante (tournevis, une trousse des clés à douille ou d'autres outils).
- Ruban isolant
- Outil de sertissage
- Voltmètre/lumière d'essai
- Connexions de sertissage
- Du fil à calibre 18 pour des connexions de puissance
- Fil de haut parleur à calibre 16-18

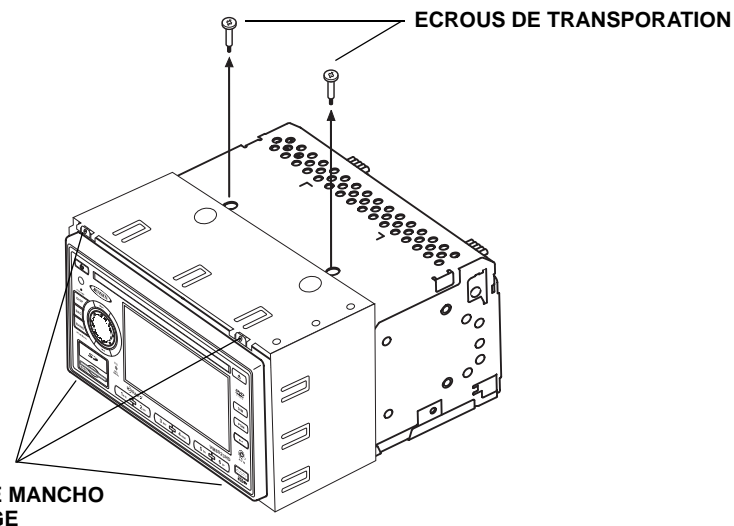
### Préparation

#### 1. Débranchez la pile

Débranchez toujours, avant de commencer, la borne négative de la pile.

**A NOTER: Si le VM8023HD est à installer dans une voiture équipée d'un ordinateur de navigation ou d'un lecteur à bord, ne débranchez pas le câble de la pile. Si le câble est débranché, la mémoire de l'ordinateur peut être perdue. Dans ces conditions, prenez des précautions supplémentaires pendant l'installation pour éviter un court-circuit.**

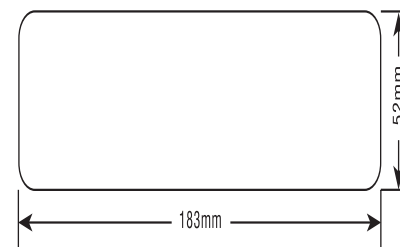
#### 2. Enlevez les écrous de transportation



#### 3. Enlevez la radio du manchon

### Installation à manchon de montage

1. Vérifiez la taille de l'ouverture du tableau de bord en glissant le manchon de montage dans celui-ci.



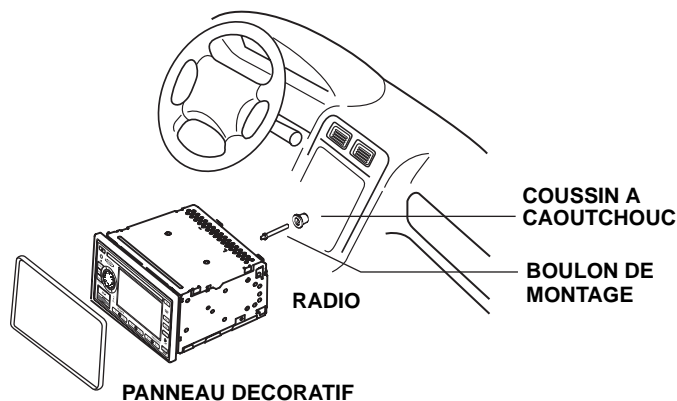
Si l'ouverture est trop petite, coupez ou limez comme il faut jusqu'à ce que le manchon se glisse facilement dans l'ouverture. Ne forcez pas le manchon dans l'ouverture ni ne le pliez ou courbez. Assurez-vous qu'il y a assez de place derrière le tableau de bord pour le châssis de la radio.

2. Trouvez la série des languettes à plier tout au long du haut, du bas, et des côtés du manchon de montage. Avec le manchon inséré jusqu'au bout dans l'ouverture du tableau de bord, pliez autant de languettes que vous pouvez vers le dehors pour attachez le manchon au tableau de bord.

**CAUTION:** Pour une bonne opération du lecteur DVD, le châssis doit être monté à un angle de 20° de l'horizontal. Assurez-vous que l'appareil est monté à l'intérieur de cette limitation.

- Placez la radio devant l'ouverture du tableau de bord pour que le câblage puisse être acheminé à travers le manchon de montage. Suivez le diagramme de câblage et assurez-vous que tous les branchements sont sûrs et isolés avec des boulons et du ruban isolant. Voir « Câblage » à la page 47. Après avoir terminé tous les branchements de câblage, allumez l'appareil pour confirmer l'opération (le commutateur d'allumage du véhicule doit être allumé). Si l'appareil ne fonctionne pas, vérifiez tout le câblage jusqu'à ce que le problème soit corrigé.
- Assurez-vous que la radio est montée avec le bon sens, et puis glissez doucement la radio dans le manchon de montage et attachez avec les quatre écrous de demi-manchon jusqu'à ce qu'elle soit bien assise et les attaches à ressort verrouillent en place.
- Attachez le derrière de l'appareil au corps de la voiture en utilisant le boulon de montage et le coussin à caoutchouc.
- Essayez la radio en utilisant les instructions « Opération » qui suivent.

Installation à trousse



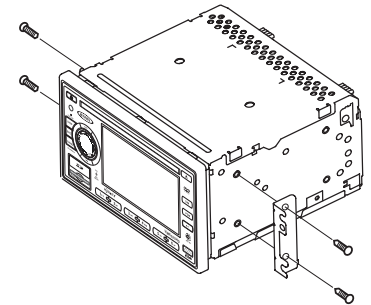
Si votre véhicule demande l'utilisation d'une trousse d'installation pour monter cette radio, suivez les instructions incluses dans cette trousse d'installation pour attacher la radio à la dalle de montage fournie avec la trousse.

- Câblez et essayez la radio comme montré dans les instructions d'installation à manchon de montage.

- Installez le montage radio/dalle de montage au sous-tableau de bord selon les instructions dans la trousse d'installation.
- Remplacez le panneau décoratif du tableau de bord.

### Installation ISO

Cet appareil a des trous à sertissage dans les panneaux de côtés du châssis, qui peuvent être utilisés avec les équerres de montage d'origine d'usine de certains véhicules pour monter la radio dans le tableau de bord. Veuillez consulter avec votre boutique de stéréo voiture locale pour aide dans ce type d'installation.



- Enlevez la radio d'usine existante de montage tableau de bord ou du centre console. Mettez tout le matériel et les équerres à côté comme ils seront utilisés pour monter la nouvelle radio.
- Avec soin; dégagez le cadre en plastique depuis le devant du nouveau châssis radio. Enlevez et débarrassez-vous du cadre.
- Enlevez les équerres de montage d'usine et du matériel de la radio existante et attachez-les à la nouvelle radio. Ne dépassez pas la taille d'écrou maximal de M5X9mm. Des écrous plus longs peuvent endommager des composants à l'intérieur du châssis.
- Câblez la nouvelle radio comme montré dans les instructions d'installation à Manchon de montage.
- Montez la nouvelle radio au tableau de bord ou au centre console en utilisant la procédure de l'étape 1 à l'envers.

### Fusibles

Lorsque vous remplacez un fusible, assurez-vous que le nouveau fusible est du bon type et ampérage. Utilisation d'un fusible incorrect peut endommager la radio.

### Rebranchez la pile

Lorsque le câblage est terminé, rebranchez la borne négative de la pile.

### Enlevez la radio

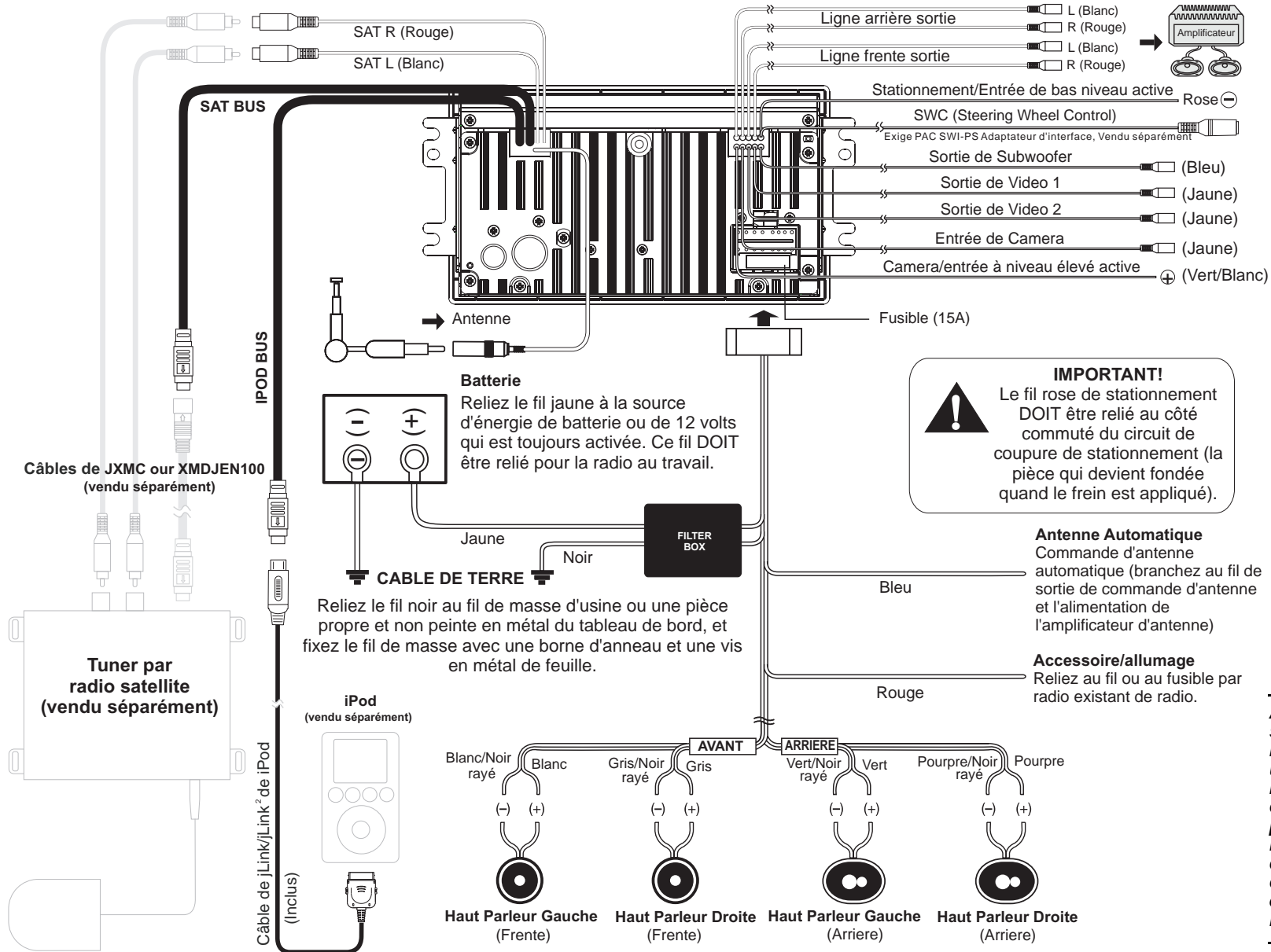
Pour enlever la radio après l'installation, enlevez d'abord la dalle. Ensuite; enlevez la rondelle décorative en la tenant d'un côté et tirant. Insérez les clés d'enlèvement jusqu'à ce qu'ils se verrouillent et puis tirez la radio vers le dehors. Si les clés d'enlèvement sont insérées à un angle; ils ne se verrouilleront pas bien et ne relâcheront pas l'appareil.

### Aide technique

Si vous avez besoin d'aide, prenez contact avec Technical Support à 1-800-323-4815 de 9H à 18H EST lundi à vendredi.

# Cablage

**A NOTER:** L'amplificateur dans cette radio est conçu pour utilisation avec quatre hauts parleurs. Ne combinez jamais les sorties pour utilisation avec deux hauts parleurs. Ne terez jamais les fils de sortie négatifs avec la terre. Le manque de relier des fils exactement comme montrés peut endommager électrique la radio.



**IMPORTANT!**  
Le fil rose de stationnement DOIT être relié au côté commuté du circuit de coupure de stationnement (la pièce qui devient fondée quand le frein est appliqué).

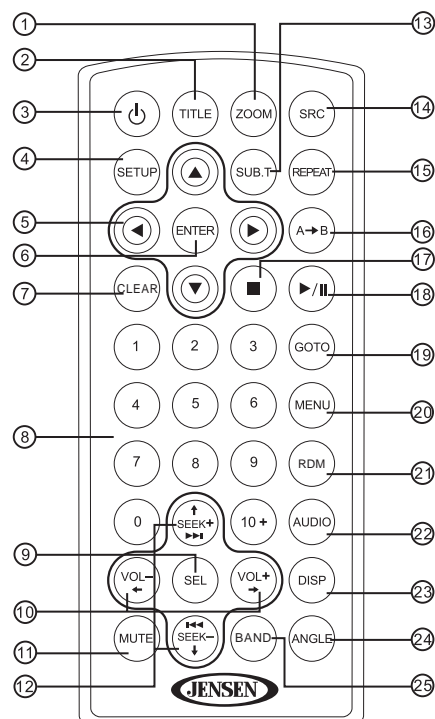
**Antenne Automatique**  
Commande d'antenne automatique (branchez au fil de sortie de commande d'antenne et l'alimentation de l'amplificateur d'antenne)

**Accessoire/allumage**  
Reliez au fil ou au fusible par radio existant de radio.

**A NOTER:** Reliez seulement les haut-parleurs à une impédance nominale de 4 ohms. Les haut-parleurs avec une impédance de charge moins de 4 ohms ont pu endommager l'unité.

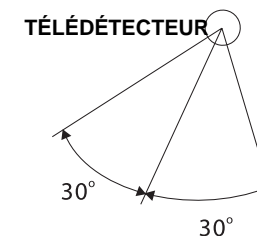
## Operation telecommande

La télécommande vous permet de contrôler les fonctions avancées du VM8023HD.



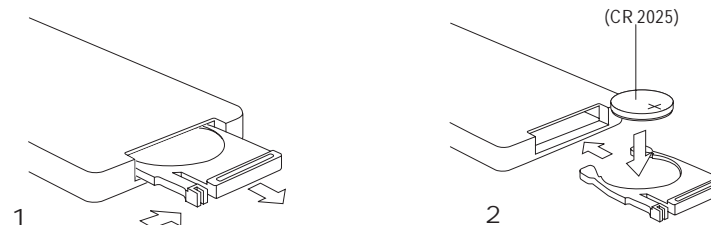
## Gamme d'opération

La sonde de la télécommande (19) est située près de la partie inférieure du panneau d'avant, à gauche de l'écran d'affichage aux cristaux liquides. La télécommande peut fonctionner à l'intérieur d'une distance de 3 à 5 mètres.



## Remplacer la pile

Lorsque la gamme d'opération de la télécommande se raccourcit ou s'arrête de fonctionner, remplacer la pile avec une nouvelle pile lithium. Assurez-vous d'observer la bonne polarité, comme indiqué ci-dessous.



## Fonctions à télécommande

Table 1: Fonctions à télécommande

#	Bouton	Tuner	SAT	CD	iPod	DVD
1	ZOOM					Grossir l'image
2	TITLE				Select Video Mode	View DVD Title Screen
3	Power	Puissance allumée; <i>Pressez et maintenez pour éteindre la puissance.</i>	Puissance allumée; <i>Pressez et maintenez pour éteindre la puissance.</i>	Puissance allumée; <i>Pressez et maintenez pour éteindre la puissance.</i>	Puissance allumée; <i>Pressez et maintenez pour éteindre la puissance.</i>	Puissance allumée; <i>Pressez et maintenez pour éteindre la puissance.</i>
4	SETUP	Affiche le menu de la configuration	Affiche le menu de la configuration	Affiche le menu de la configuration	Affiche le menu de la configuration	Affiche le menu de la configuration
5	Flèches de navigation	Vers le haut/vers le bas : Navigation des pré-réglés	Vers le haut/vers le bas : Navigation des pré-réglés	Vers le bas/vers le haut : Navigation de l'écran; Gauche/droite : Navigation de dossiers	Vers le bas/vers le haut : Navigation de l'écran	Gauche/droite : Recul rapide/ Avance rapide: Vers le haut/ vers le bas : Recul en ralenti/ Avance en ralenti
6	ENTER	Confirmer l'entrée	Confirmer l'entrée	Confirmer l'entrée	Confirmer l'entrée	Confirmer l'entrée
7	CLEAR					
8	Entrée directe		Entrée de canal direct		Entrée de piste directe	
9	SEL	Mode Audio : Sélectionner BAS, TRE, BAL, FAD; Pressez et maintenez pour le menu Système	Mode Audio : Sélectionner BAS, TRE, BAL, FAD; Pressez et maintenez pour le menu Système; ENTER en mode catégorie	Mode Audio : Sélectionner BAS, TRE, BAL, FAD; Pressez et maintenez pour le menu Système	Mode Audio : Sélectionner BAS, TRE, BAL, FAD; Pressez et maintenez pour le menu Système	Mode Audio : Sélectionner BAS, TRE, BAL, FAD; Pressez et maintenez pour le menu Système
10	VOL (Commande de volume)	Volume haut/bas	Sélectionner l'article prochain/précédent en mode Catégorie	Volume haut/bas	Volume haut/bas	Volume haut/bas
11	MUTE	Mise en sourdine de la sortie audio	Mise en sourdine de la sortie audio	Mise en sourdine de la sortie audio	Mise en sourdine de la sortie audio	Mise en sourdine de la sortie audio
12	SEEK	Chercher le canal prochain/précédent; Pressez et maintenez pour scanner les canaux vers le haut/ vers le bas.	Chercher le canal prochain/précédent; Pressez et maintenez pour scanner les canaux vers le haut/ vers le bas.	Piste prochaine/précédente; Pressez et maintenez pour avance/recul rapide	Piste prochaine/précédente; Pressez et maintenez pour avance/recul rapide	Piste prochaine/précédente; Pressez et maintenez pour avance/recul rapide
13	SUB.T					Visionner/changer la langue de sous-titrage
14	SRC (Source)	Sélectionner la mode de reproduction	Sélectionner la mode de reproduction	Sélectionner la mode de reproduction	Sélectionner la mode de reproduction	Sélectionner la mode de reproduction
15	REPEAT			Répéter la piste actuelle	Répéter la piste actuelle	Répéter le chapitre actuel
16	A-B Repeat			Répéter le segment		Répéter le segment
17	Stop/Return			Arrêt/Retour	Arrêt/Retour	Arrêt./Retour
18	Play/Pause			Reproduire/Pauser	Reproduire/Pauser	Reproduire/Pauser
19	GOTO Search	Voir des stations multiplexage des programmes HD; Pressez et maintenez pour sélectionner : Auto, Digital, Analog		GOTO Zone spécifique du disque		GOTO Zone spécifique du disque
20	MENU				Retour au menu précédent	Visionner le menu configuration du DVD; PBC pour VCD 2.0 et plus
21	RDM			Jouer toutes les pistes dans l'ordre mélangé au hasard	Jouer toutes les pistes dans l'ordre mélangé au hasard	Jouer tous les chapitres dans l'ordre mélangé au hasard

Table 1: Fonctions à télécommande

#	Bouton	Tuner	SAT	CD	iPod	DVD
22	AUDIO				Sélectionner la mode audio	Voir/Changer langue du disque Audio
23	DISP	Entrée de recherche programme; <i>Pressez et maintenez pour régler l'horloge</i>	Affichage du menu entrée directe; Pressez et maintenez pour régler l'horloge	<i>Pressez et maintenez pour régler l'horloge</i>	<i>Pressez et maintenez pour régler l'horloge</i>	<i>Pressez et maintenez pour régler l'horloge</i>
24	ANGLE					Montrer les angles différents si disponibles
25	BAND	Sélectionner la bande (AM1, AM2, FM1, FM2, FM3)	Sélectionner la bande (SAT1, SAT2, SAT3)			Sélectionner PAL, NTSC, AUTO

## Operation

### Puissance

Pressez le bouton puissance  $\phi$  (1) pour allumer l'appareil. Pressez et maintenez le bouton de puissance pour éteindre l'appareil.

---

**A NOTER: Des panneaux d'affichage aux cristaux liquides peuvent mettre plus longtemps à répondre lorsqu'ils sont soumis à des températures froides pendant de longues périodes. En outre, la visibilité des numéros sur l'affichage aux cristaux liquides peut légèrement diminuer. L'affichage aux cristaux liquides reviendra au normal lorsque la température se hausse jusqu'à une gamme normale.**

---


### Source

Pressez le bouton **SRC** (6) plusieurs fois de suite pour scanner les sources diverses. Une source n'est affichée que lorsqu'elle est accessible (de l'équipement supplémentaire facultatif exigé pour certaines sources). Des modes disponibles comprennent Radio (FM, AM), SAT, DVD, SD, USB, iPod et auxiliaire (AUX IN).

### Engins externes

Des engins périphériques externes, y compris un console de jeux, camcorder, appareil de navigation, iPod, Zune; etc. peuvent être branchés à un connecteur A/V (18) sur le devant de cet appareil en utilisant un Câble Média à 3.5mm (fourni). Sélectionnez « SOURCE >> AUX IN » pour accéder aux engins auxiliaires. Vous ne pouvez contrôler directement des engins externes branchés aux entrées A/V IN.

### Mise en sourdine de l'audio

Pressez le bouton (puissance) (1) pour mettre le volume audio en sourdine.  $\phi$ . «  » apparaît sur l'affichage. Pressez sur  $\phi$  (puissance) de nouveau pour rétablir le volume au réglage précédent.

### Contrôler le volume

Pour augmenter le volume, tournez **VOL/SEL/MENU** (enchiffreur à rotation) (2) dans le sens des aiguilles d'une montre. Pour diminuer le volume tournez l'enchiffreur à rotation contre le sens des aiguilles d'une montre. Lorsque le volume est ajusté, le niveau de volume sera montré sur le panneau d'affichage comme un nombre allant de « 0 » (le plus bas) à « 40 » (le plus haut).

### Contrôle du volant (SWC)

Le VM8023HD est compatible avec l'adaptateur du contrôle de volant SWI-PS du PAC (Pacific Accessory Corporation). Un connecteur femelle à

3.5mm (appelé « SWC Interface ») sur le dos de l'installation de tête permet la connectivité à l'adaptateur PAC. Veuillez vous référer aux instructions incluses avec l'adaptateur PAC pour des informations sur l'installation détaillées.

Les contrôles suivants sont disponibles pour la plupart des véhicules :

1. Volume vers le haut
2. Volume vers le bas
3. Mise en sourdine
4. Recherche vers le bas/ Piste précédente
5. Recherche vers le haut/ Piste prochaine
6. SRC (Source)
7. Bande

### Menu audio

Pressez le bouton **VOL/SEL/MENU** (2) pour accéder au menu audio. Pressez le bouton **VOL/SEL/MENU** plusieurs fois de suite pour vous déplacer à travers une liste des options menu.

- Caisson de basse : Lorsque le filtre passe bas est activé (voir « Menu configuration » à la page 63) vous pouvez utiliser l'enchiffreur à rotation **VOL/SEL/MENU** pour ajuster le volume du caisson de basse de « -14 » à « 0 »
- Basse : Tournez l'enchiffreur à rotation **VOL/SEL/MENU** (2) pour ajuster le niveau de basse de « +7 » à « -7 ».
- Aigu : Tournez l'enchiffreur à rotation **VOL/SEL/MENU** pour ajuster le niveau d'aigu de « +7 » à « -7 ».
- Balance : Tournez l'enchiffreur à rotation **VOL/SEL/MENU** pour ajuster la balance de « R7 » (plein à droite) au « L7 » (plein à gauche).
- Equilibreur : Tournez l'enchiffreur à rotation **VOL/SEL/MENU** pour ajuster l'équilibreur de « f7 » (plein à l'avant) à « R7 » (plein à l'arrière).

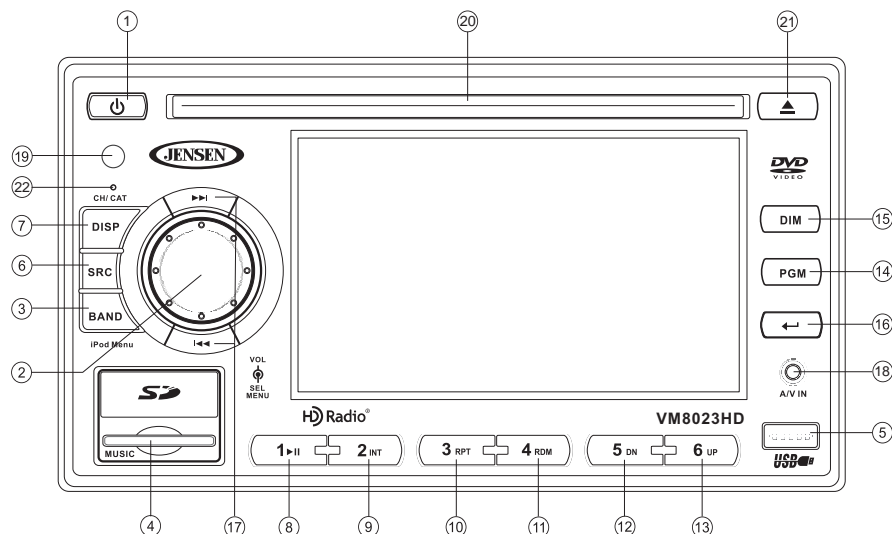
L'appareil sauve automatiquement vos changements et sort du menu contrôle d'audio au bout de cinq secondes d'inaction.

---

**A NOTER: Ce modèle est équipé d'une mémoire à tonalité source. Tout changement apporté au Basse, aigu, et caisson de basse ne sont reflet que dans la source active.**

---

## Operation Menu



Pressez et maintenez le bouton **VOL/SEL/MENU** (2) pendant plus de deux secondes pour accéder au menu. Pressez le bouton **VOL/SEL/MENU** pour vous déplacer à travers les options menu suivantes : Egaliseur, régler l'intensité, régler tonalité bip, mode 12/24 (horloge), image en miroir, mode Vol, A-VOL, Sub LPF et réglage de zone géographique. Les procédures suivantes assument que vous avez déjà accéder au menu.

### Egaliseur

La fonction égaliseur applique des effets sonores pré-établis au signal de sortie audio de l'appareil. Tournez l'enclumeur à rotation pour sélectionner à partir des options égaliser suivantes : « Off », « Rock », « Hip Hop », « Dance » et « Acoustic ». Avec la fonction égaliseur activée, si la basse ou l'aigu est ajusté, le mode EQ va revenir à « Off ».

Lorsque la fonction égaliseur est activée, les niveaux de basse/aigu les plus récemment sélectionnés ne peuvent pas être ajustés. Lorsque la fonction égaliseur n'est pas activée, l'appareil va revenir aux niveaux de basse et d'aigu les plus récemment ajustés.

### Réglage d'intensité

Lorsque vous écouter à la musique à des volumes bas, cette fonction va de manière sélective augmenter certaines fréquences de basse et d'aigu. « Off » est le réglage par défaut. Tournez l'enclumeur à rotation pour sélectionner « On ».

### Réglage de bip sonore

La tonalité bip permet la sélection d'une tonalité bip audible qui sera entendue chaque fois que le menu est accédé. « On » est le réglage par défaut. Tournez l'enclumeur à rotation pour sélectionner « Off ».

### Mode 12/24

Cette option permet la sélection d'un format à 12 heures ou 24 heures pour l'horloge. « 12 heures » est le réglage par défaut. Tournez l'enclumeur à rotation pour changer au format d'horloge à 24 heures.

### Mode volume

Tournez l'enclumeur à rotation pour sélectionner « Last » ou « Adjust ».

- Last : Lorsque l'appareil est en marche, le volume va reprendre au niveau sélectionné lorsqu'il a été éteint la dernière fois.
- Adjust: Si vous choisissez « Adjust », utilisez le réglage A-VOL pour spécifier un volume d'allumage.

### Volume d'allumage (A-VOL)

Après avoir sélectionné « Adjust » pour Vol Mode, pressez le bouton **VOL/SEL/MENU** pour accéder au réglage A-VOL et puis tournez l'enclumeur à rotation pour sélectionner le niveau de volume d'allumage désiré. Lorsque cette option est sélectionnée l'appareil va revenir au volume ajusté chaque fois que l'appareil est allumé.

### Sub LPF (Fréquence passe bas)

Après avoir branché un caisson de basse au dos de l'appareil, tournez l'enclumeur à rotation pour sélectionner une fréquence de recouvrement : OFF, 80, 120 or 160Hz.

### Réglage de zone géographique

Cette option vous permet de sélectionner l'espacement de fréquence approprié pour votre région. « U.S.A. » est le réglage par défaut. Tournez l'enclumeur à rotation pour sélectionner « Europe ».

### Gradateur

Pressez le bouton **DIM** (15) sur le panneau d'avant pour assombrir l'écran par 1/2. Pressez de nouveau pour assombrir l'écran complètement. Pressez une troisième fois pour reprendre la luminosité normale.

### Réglage d'horloge

1. Pressez et maintenez le bouton **DISP** (7) jusqu'à ce que l'horloge se met à clignoter.
2. Tournez l'enclumeur à rotation **VOL/SEL/MENU** (2) pour régler les minutes.



3. Pressez le bouton **VOL/SEL/MENU** (2) pour confirmer et aller au champs des heures.
4. Tournez l'enchiffreur à rotation **VOL/SEL/MENU POUR RÉGLER L'HEURE.**
5. Pressez le bouton **DISP** pour régler l'horloge et sortir de la fonction de réglage de l'horloge.

#### **Bouton de réinitialisation**

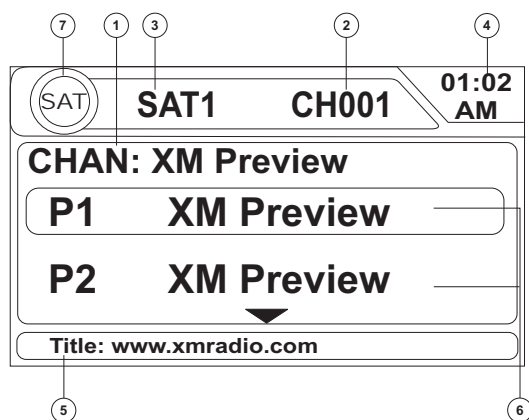
Le bouton **RESET** (22) est situé sur le panneau d'avant sous le bouton de puissance derrière le panneau d'avant et ne peut être accédé que lorsque le panneau d'avant est enlevé. Réinitialiser l'appareil va effacer les mémoires de l'heure et des préréglés. Il ne doit être activé que lors de l'installation du départ, après que tout le câblage ne soit terminé , ou s'il y a une malfonction quelconque dans l'un des interrupteurs de l'appareil. Dans de telles circonstances, pressez le bouton RESET va dégager l'appareil et retournera l'appareil à l'opération par défaut.

## Operation radio satellite

Les auditeurs peuvent adhérer au XM<sup>®</sup> Radio sur le Web en visitant [www.xmradio.com](http://www.xmradio.com), ou en appelant (800) 967-2346. Les clients doivent avoir leur ID Radio en main (voir « Afficher le code d'identification (ID) »). Les clients peuvent recevoir un nombre limité des canaux gratuits sans activation.

### Accéder au mode radio satellite

Pressez le bouton **SRC** (6) sur le panneau d'avant ou la télécommande (14) pour changer à la source SAT.



1. Nom du canal SAT
2. Numéro du canal SAT
3. Bande SAT
4. Heure/Horloge
5. Information sur l'artiste et le titre
6. Canaux pré-réglés actuels
7. Indicateur Source

### Afficher le code d'identification (ID)

Avant d'écouter à la radio satellite, vous devez adhérer au service en utilisant le numéro d'identification de votre radio. Pour afficher l'identification radio pressez le bouton **DISP** trois fois ou utiliser le bouton **<< tuning** (17) pour syntonisation au canal « 000 ». L'écran affiche l'identification radio où le nom du canal est normalement affiché.

### Sélectionner une bande

Pressez le bouton **BAND** (3) pour changer entre trois bandes SAT (SAT1, SAT2 et SAT3). Chaque bande met en mémoire jusqu'à six stations pré-réglées.

### Sélectionner une station

Pressez le bouton de syntonisation **>>|** ou **|<<** (17) pour syntoniser à une station différente.

### Mode pré-réglé

Six boutons pré-réglés numérotés mettent en mémoire et rappellent des stations pour chaque bande. Toutes les stations mises en mémoire (P1-P6) pour la bande courante peuvent être vues sur l'écran. Utilisez les flèches de direction de la télécommande (5) pour vous dérouler à travers la liste.

### Mettre une station en mémoire

1. Sélectionner une bande (si nécessaire), et puis sélectionner une station.
2. *Pressez et maintenez* un bouton pré-réglé (numéros 1-6) sur le panneau d'avant ou la télécommande.
3. Le numéro pré-réglé et la station apparaissent surlignés.

### Rappeler une station

1. Sélectionner une bande (si nécessaire).
2. Pressez un bouton pré-réglé (1-6) soit sur le panneau d'avant soit sur la télécommande pour sélectionner une station mise en mémoire correspondante.

### Recherche des canaux

Pour accéder au mode Channel Search, pressez le bouton **DISP** (7). La liste de tous les canaux disponibles apparaissent sur l'écran.

1. Tournez l'enclumeur à rotation **VOL/SEL/MENU** (2) sur le panneau du contrôle ou pressez les flèches haut/bas (5) sur la télécommande pour naviguer à travers la liste des canaux.
2. Pressez le bouton **VOL/SEL/MENU** sur le panneau de contrôle ou le bouton **ENTER** (6) sur la télécommande pour sélectionner un canal.

### Recherche catégorie

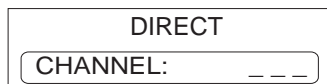
1. Pour accéder au mode Category Search, pressez le bouton **DISP (7)** deux fois. La liste des catégories disponibles apparaissent sur l'écran.



2. Tournez l'enclumeur à rotation **VOL/SEL/MENU (2)** sur le panneau de contrôle ou pressez les flèches haut/bas (5) sur la télécommande pour naviguer à travers la liste des catégories.
3. Pressez le bouton **VOL/SEL/MENU** sur le panneau de contrôle ou le bouton **ENTER (6)** sur la télécommande pour sélectionner la catégorie désirée. Une liste de stations dans la catégorie sélectionnée apparaît sur l'écran.
4. Tournez l'enclumeur à rotation **VOL/SEL/MENU** sur le panneau de contrôle ou pressez les boutons flèches haut/bas sur la télécommande pour naviguer à travers la liste des stations dans la catégorie sélectionnée.
5. Pressez le bouton **VOL/SEL/MENU** sur le panneau de contrôle ou bien le bouton **ENTER (6)** sur la télécommande pour sélectionner une station.

### Entrée canal direct

1. Pour entrer une station de radio directement, pressez le bouton **DISP** sur le panneau d'avant (7) ou sur la télécommande (23) trois fois pour afficher l'écran d'entrée canal DIRECT.



Entrez la station de radio désirée en utilisant le pavé numérique de la télécommande suivi par le bouton **ENTER**, ou exécutez les démarches suivantes :

1. Tournez l'enclumeur à rotation **VOL/SEL/MENU** pour sélectionner le troisième chiffre du canal désiré (0-9).
2. Pressez le bouton **VOL/SEL/MENU** pour entrer le numéro et vous déplacer à la deuxième position.
3. Tournez l'enclumeur à rotation de nouveau pour sélectionner le deuxième chiffre du canal désiré (0 - 9).
4. Pressez **VOL/SEL/MENU** pour entrer le deuxième numéro et vous déplacer à la première position. (Pressez et maintenez si le canal n'a que 2 chiffres et vous êtes prêt à syntoniser le canal).
5. Tournez l'enclumeur à rotation de nouveau pour sélectionner le premier chiffre du canal que vous voulez syntoniser (0-2).
6. Pressez le bouton **VOL/SEL/MENU** pour syntoniser à la station sélectionnée.

## Operation radio

### Sur la technologie HD Radio™

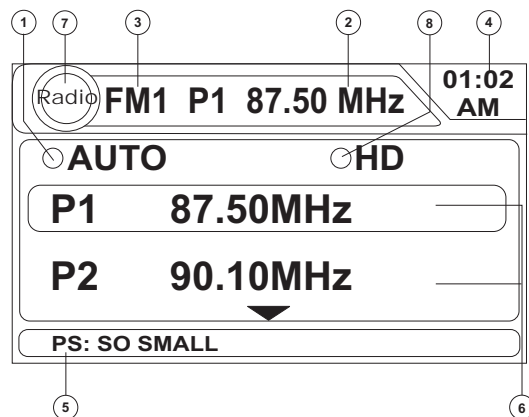
La technologie HD Radio permet une émission à qualité digitale-CD de vos stations de radio AM et FM locales. Les émissions HD Radio peuvent comprendre des canaux multiples sur la même fréquence, ce qui s'appelle le multiplexage de programmes ou multicasting. Avec le multiplexage de programmes vous pouvez recevoir jusqu'à huit canaux multicas supplémentaires : HD1 à HD8.

Avec votre radio VM8023HD, vous recevrez des émissions digitales HD Radio automatiquement lorsque vous êtes syntonisé à une station qui offre la technologie HD Radio.

**A NOTER: Toutes les stations FM ou AM n'offre pas la transmission (digitale) HD Radio. Vous pouvez recevoir et des stations digitales et des stations analogues avec le VM8023HD.**

### Accéder au mode radio

Pressez le bouton **SRC** (6) sur le panneau d'avant ou la télécommande (14) pour changer à la source RADIO.

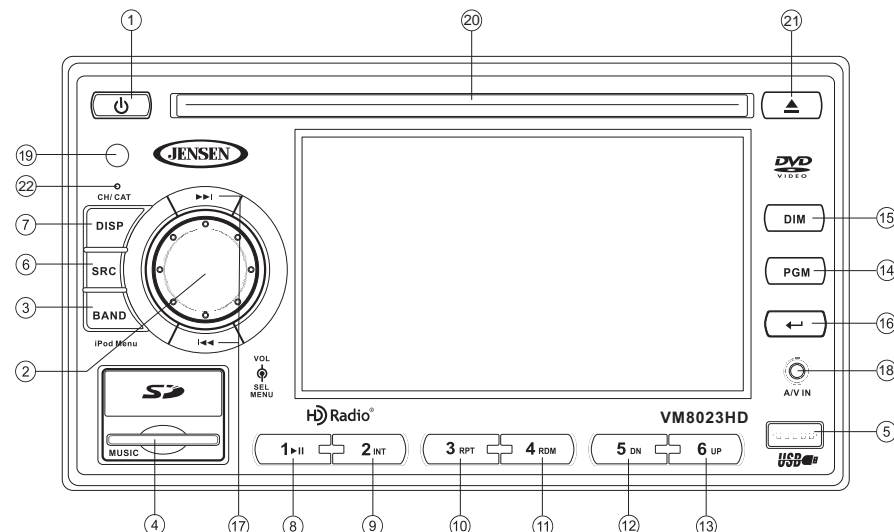


1. Indicateur de réception Auto, Analogue, Digitale
2. Fréquence de la station de radio
3. Bande AM/FM
4. Heure/Horloge
5. Information sur les programmes : Artiste, Titre, Type

*A NOTER: La quantité de l'information affichée lorsque vous recevez*

*un signal HD Radio dépend de ce qui est en train d'être transmis. Certaines stations transmettent leurs indicatifs (noms); le nom de l'artiste, le titre de chanson et la catégorie de musique.*

6. Canaux préreçlés actuels
7. Indicateurs de source
8. Indicateur Station Radio HD



### Sélectionner une bande AM/FM

Pressez le bouton **BAND** (3) pour changer entre une bande FM et AM.

### Syntonisation

#### Syntonisation à recherche

Pressez les boutons **TUNE/TRACK** >>| ou |<< (17) pour chercher automatiquement la prochaine/précédente station.

#### Syntonisation à la main

Pressez et maintenez les boutons **TUNE/TRACK** >>| ou |<< (17) pour entrer le mode de syntonisation à la main. Pressez les boutons de nouveau pour déplacer le numéro de fréquence radio vers le haut ou vers le bas par une étape.

### **Des canaux multiplexage HD Radio**

Pour syntoniser à un canal multiplexage HD Radio, syntonisez au signal principal et puis pressez le bouton **PGM** (14) sur le panneau de commande. Une liste des canaux multiplexage sera affichée (HD-1, HD-2, etc.).

- Utilisez l'enchiffreur à rotation pour naviguer à travers la liste et puis pressez pour sélectionner un canal multiplexage.
- Utilisez les clés flèches de la télécommande et le bouton **ENTER** pour sélectionner un canal multiplexage.

Pressez et maintenez le bouton **PGM** pour changer entre « Auto », « Digital » et « Analog ». Lorsqu'il est réglé à « AUTO », la station va d'abord être reçue en Analogie mais changera à Digitale lorsque le signal digital est détecté et l'icône HD va s'illuminer. Si le signal digital se rend inaccessible, l'appareil va revenir à la réception Analogie.

### **Recherche programme**

Pour voir les catégories Type de Programmes en écoutant la radio HD, pressez le bouton **DISP** sur le panneau de commande (7) ou sur la télécommande (23). Des catégories type de programme sont listées, permettant à l'auditeur de trouver des programmes semblables par genre. Lorsqu'une catégorie type de programme est sélectionnée, la radio va commencer à scanner pour des stations qui transmettent dans la catégorie sélectionnée. Utilisez les boutons **TUNE/TRACK >>|** ou **|<<** (17) pour changer de catégorie.

### **Station pré-réglées**

Vous pouvez mettre en mémoire jusqu'à 18 pré-réglés pour FM et 6 pré-réglés pour AM, qui peuvent alors instantanément rappelés en pressant le bouton pré-réglé associé (8-13). Pour mettre une station en mémoire allumez la radio et sélectionnez la bande et la station désirées. Pressez et maintenez le bouton pré-réglé désiré (numéroté 1 à 6 sur la face de la radio ou de la télécommande) pour plus de deux secondes. Lorsqu'il est ainsi mise en mémoire le numéro pré-réglé apparaîtra dans l'affichage. La station est mise en mémoire et peut être rappelée en pressant le numéro pré-réglé correspondant. Répétez pour les cinq pré-réglés qui restent sur la bande actuelle et pour des pré-réglés sur les quatre autres bandes.

---

**A NOTER: Des stations multiplexage peuvent être mises en mémoire comme des pré-réglées, mais l'appareil doit être en mode de réception Auto ou Digitale pour les recevoir.**

---

### **Scanner prévisionnement**

Pressez le bouton **←** (16) pour scanner et jouer toutes les stations fortes pour 5 secondes chAcune. Pressez **←** de nouveau pour arrêter le scan et jouer la station actuelle.

### **Mise en mémoire automatique**

Pressez et maintenez le bouton **←** (16) pour sélectionner soit 18 stations fortes FM ou 6 AM et les mettre en mémoire pour une accès rapide en utilisant la fonction Mise en mémoire automatique. AS ne met en mémoire que dans la bande actuelle. Après avoir entré des stations en mémoire, l'appareil va automatiquement s'arrêter à chaque station pour cinq secondes vous permettant de prévisionner chaque sélection. Lorsque vous utilisez la fonction AS, les nouvelles stations remplaceront des stations qui sont déjà mises en mémoire dans la mémoire des pré-réglées.

---

**A NOTER: Vous pouvez arrêter la fonction de mise en mémoire automatique à n'importe quel moment en appuyant sur le bouton **←** de nouveau.**

---

## Reproduction DISC/MP3/WMA

### Insérez et Ejecter un disque

(20). Pour arrêter la reproduction du disque et éjecter le disque, pressez le bouton (21).

---

**A NOTER: L'appareil est conçu pour jouer des disques de taille standardisée de 5" (12 cm.) uniquement. Ne tentez pas d'utiliser des simples CD à 3" (8 cm.) dans cet appareil, soit avec ou sans un adaptateur, comme cela peut endommager le lecteur et/ou le disque. De tels endommagements ne seront pas couverts par la garantie.**

---

### Charger une carte SD

Pour enlever la carte, pressez d'abord le bouton **SRC** (6) pour changer à un autre mode et arrêter la reproduction SD. Pressez la carte SD pour le sortir et puis enlevez la carte.

### Charger un engin USB

Insérez l'engin USB dans le connecteur USB (5) sur le devant de l'appareil. L'appareil lira les fichiers sur l'engin USB automatiquement.

Pour enlever l'engin USB, pressez le bouton **SRC** (6) pour changer à une autre mode et puis enlevez l'engin USB du connecteur USB.

### Notes sur la reproduction MP3/WMA

Des fichiers musique MP3 et WMA (Windows Media Audio) sont des fichiers audio digitaux qui sont comprimés pour permettre plus de fichiers sur un seul CD. Cet appareil peut jouer des fichiers MP3/WMA et de la vidéo directement depuis des fichiers contenus sur un CD-R/RW, DVD-ROM, DVD+RW, DVD-RW, DVD+R, DVD-R et DVD-VIDEO, ou une carte SD ou un engin USB en utilisant les boutons sur le récepteur (ou la télécommande) comme décrit ci-dessous.

Plusieurs types de logiciel sont disponibles pour convertir des fichiers audio au format MP3/WMA. Jensen recommande Nero ou Roxio Easy CD Creator.

Cet appareil peut jouer MP3 (MPEG1, 2, 2.5 Audio Layer 3). Pourtant; le média d'enregistrement du MP3 et les formats acceptés sont limités. Lorsque vous écrivez les fichiers MP3/WMA, faites attention aux contraintes suivantes.

#### **Média acceptable**

La média d'enregistrement MP3/WMA acceptable pour cet appareil sont CD-ROM, CD-R, et CD-RW. Cet appareil joue aussi des fichiers MP3/WMA ou des fichiers photo écrits sur des cartes SD ou des engins USB.

Dépendant du type de médium et de la méthode d'enregistrement, certains CD-R/RWs peuvent être incompatibles avec cet appareil. Lorsque vous utilisez CD-RW, utilisez le format complet plutôt que le format rapide pour éviter des malfunctions.

Cet appareil soutient la reproduction du MP3/WMA et CDDA (CDA), Mixed-Mode CDs et CD-Extra (y compris les disques multi-séance). Des disques sur lesquels la séance n'a pas été fermée ne joueront pas.

---

**A NOTER: Cet appareil soutient le système de fichiers FAT 16 et FAT 32. L'appareil ne soutient que USB 1.1, mais jouera des engins USB 2.0 à une vitesse USB 1.1.**

---

#### **Formats médium acceptables**

Les formats suivants sont disponibles pour la média utilisée dans cet appareil. Le nombre maximum de caractères utilisés pour un nom de fichier, y compris le délimiteur (« . ») et l'extension à trois caractères, sont indiqués en parenthèses.

- ISO 9660 Niveau 1 (11 caractères)
- ISO 9660 Niveau 2 (31 caractères)
- Joliet (31 caractères)
- Romeo (31 caractères)

Jusqu'à 200 caractères peuvent être affichés dans le format d'un nom de fichier long. Pour une liste des caractères disponibles veuillez voir le guide d'instruction du logiciel d'écriture et le segment « Entering File and Folder Names » qui suit. La média reproductible sur cet appareil a des limitations suivantes :

- Nombre maximum de dossiers en nid : 8
- Nombre maximum de fichier par disque : 1500
- Nombre maximum de dossiers par disque : 255

Des fichiers MP3/WMA écrits dans des formats autre que ceux listés ci-dessus ne joueront pas et leur nom de fichier ou de dossier ne sera pas affiché correctement.

#### **Réglage de l'enchiffreur MP3/WMA et CD Writer**

Utilisez les réglages suivants lorsque vous compressez des données audio avec un enchiffreur MP3.

- Taux de transfert des bits : 8 - 320 kbps
- Fréquence d'échantillonnage : 8, 11.025, 12, 16, 22.05, 24, 32, 44.1, 48 kHz

Lorsque vous utilisez un CD writer pour enregistrer MP3/WMA jusqu'à la capacité maximale du disque, désactivez écriture supplémentaire. Pour enregistrer un disque vide jusqu'à sa capacité maximale d'un coup, sélectionnez l'option « disc at once ».

**Entrer tag de ID3**

Cet appareil soutient la version ID3 tag 2.0. Pour des codes de caractères, référez-vous au tableau à droite.

	0	1	2	3	4	5	6	7	8	9	A	B	C	D	E	F
0			0	@	P	.	p				°	À	Ä	Å	à	ä
1		!	1	A	Q	a	q				±	Â	Ë	Ñ	ä	ñ
2		"	2	B	R	b	r				²	Ä	Ö	ä	ö	
3		#	3	C	S	c	s				£	³	Å	Ö	ä	ö
4		\$	4	D	T	d	t				¤	⁴	Ä	Ö	ä	ö
5		%	5	E	U	e	u				¥	µ	Ä	Ö	ä	ö
6		&	6	F	V	f	v				¦	Æ	Ö	æ	ö	
7		'	7	G	W	g	w				§	·	Ç	X	ç	÷
8		(	8	H	X	h	x				¨	†	È	Ö	è	ö
9		)	9	I	Y	i	y				©	¹	É	Ü	é	ü
A		*	:	J	Z	j	z				ª	²	Ê	Ü	ê	ü
B		+	;	K	[	k	{				»	³	Ë	Ü	ë	ü
C		,	<	L	\	l					¼	⁵	Ì	Ü	ì	ü
D		-	=	M	]	m	}				½	⁶	Í	Ý	í	ý
E		.	>	N	^	n	~				¾	⁷	Î	ÿ	î	ÿ
F		/	?	O	_	o	■				—	⁸	Ï	ÿ	ï	ÿ

**Entrer noms de fichiers et dossiers**

Des noms utilisant des caractères à liste des codes sont les seuls noms de fichiers ou de dossiers qui peuvent être entrés et affichés. Utilisation de tout autre caractère veut dire que les noms de fichiers et de dossiers ne seront pas affichés correctement. L'appareil reconnaît et ne joue que des fichiers avec l'extension MP3/WMA.

**A NOTER: Un nom de fichier entré avec des caractères qui ne figurent pas sur la liste des codes peut ne pas jouer correctement.**

**Anti-choc électronique**

- 10 secondes pour CD-DA (CDA)
- >45 secondes pour MP3 enregistré à 44.1kHz, 128kbps
- >90 secondes pour WMA enregistré à 44.1kHz, 128kbps

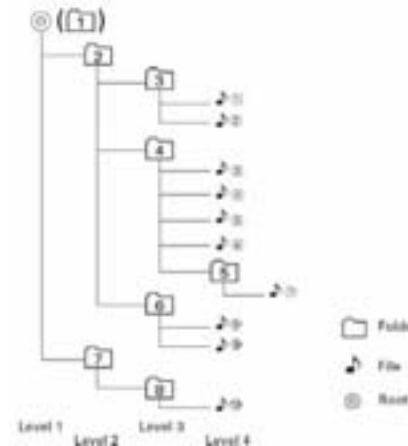
**Taux de bits**

L'appareil soutient des taux de bits de 32 - 320 kbps.

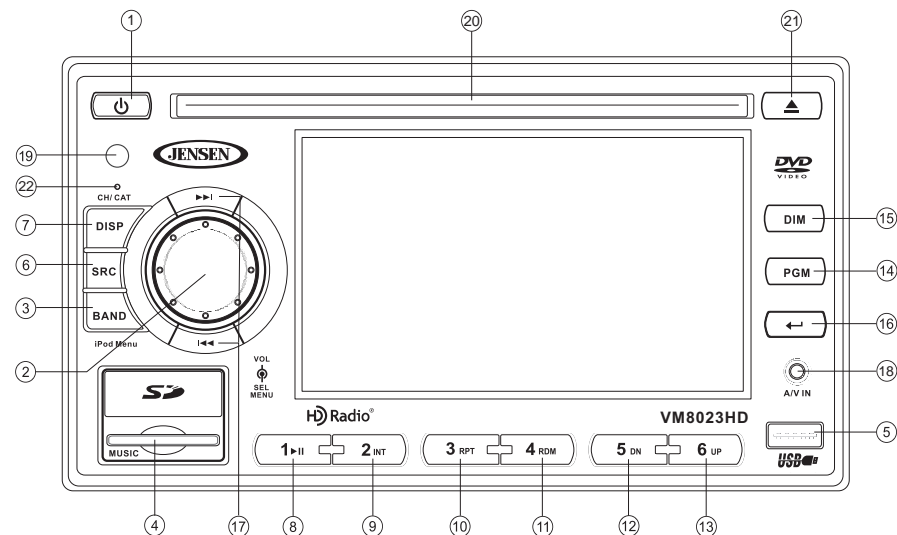
**L'ordre d'écoute MP3**

Lorsque sélectionné pour reproduction, des fichiers et des dossiers (Recherche Dossier, Recherche Fichier ou Sélectionner Dossier) sont accédés dans l'ordre dans lequel ils étaient écrits sur la média. Par conséquent, l'ordre dans lequel on s'attend à les entendre peut ne pas s'accorder avec l'ordre dans lequel ils sont de fait joués. Vous pouvez régler l'ordre dans lequel des fichiers MP3/WMA sont à jouer en attribuant des noms de fichier commençant avec des numéros de séquence de reproduction tels que « 01 » à « 99 ».

Par exemple, un médium avec la hierarchie de dossier/fichier suivante est soumise au Recherche Dossier, Recherche Fichier et Sélectionner Dossier comme montré ci-dessous.

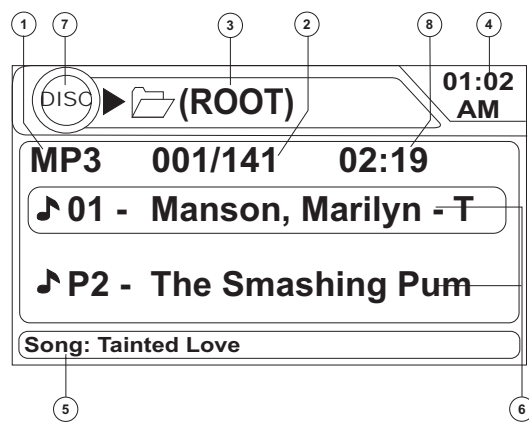


Le lecteur VM8023HD ne va reconnaître que trois niveaux de dossiers et n'affiche pas de dossiers contenant seulement d'autres dossiers. Dans l'exemple ci-dessus, l'appareil va afficher les dossiers 3, 4, 6, et 8 mais non pas 2 et 7 puisqu'ils ne contiennent pas de pistes directement. Dossier 5 n'est pas reconnu du tout puisqu'il est au quatrième niveau.



## Changer de source

Si un disque est déjà dans la fente du disque mais ne joue pas, pressez le bouton **SRC** (6) sur le panneau d'avant ou sur la télécommande (14) pour changer à la source DISC. Pour jouer des fichiers à partir d'un SD ou USB qui est déjà inséré, choisissez la source CARD ou USB. L'écran de reproduction MP3 est indiqué ci-dessous :



1. Indicateur CD/MP3/WMA
2. Des pistes totales actuelles
3. Niveau de dossier actuel
4. L'heure/l'horloge
5. Information sur l'artiste et le titre ID3 (MP3 seulement)
6. Chansons sur le disque
7. Indicateur de source
8. Temps de reproduction écoulé pour la chanson actuelle

## Commander la reproduction du fichier ou du disque

### Pause

Pressez le bouton 1/>|| (8) pour suspendre la reproduction. Des pistes sont joués dans l'ordre dans lequel ils ont été écrits sur le disque/carte, à moins qu'une autre opération ne soit demandée.

### Stop

Pressez et maintenez pour arrêter la reproduction. Si vous visionnez de la vidéo ou des photos, le système retourne au menu fichiers.

## Track Select

Pressez les boutons **TUNE/TRACK >>|** ou **|<<** (17) pendant moins d'une seconde pour avancer jusqu'à la piste/dossier prochain. Le numéro de piste sélectionné va apparaître sur l'affichage.

## Naviguer des fichiers

Les boutons **5/DN** (12) et **6/UP** (13) sont utilisés pour naviguer vers le haut et le bas à l'intérieur du menu fichier. Pressez et maintenez pour aller en haut/en bas par un niveau de dossier. Le nom du dossier actuel est affiché en haut de l'écran.

## Avance/Recul rapide

Pressez et maintenez les boutons **TUNE/TRACK >>|** ou **|<<** (17) pour faire avance ou recul rapide. Pressez et maintenez une fois pour 2X. Pressez et maintenez plusieurs fois de suite pour 4X, 8X, 20X ou PLAY. Pressez le bouton pause/reproduction **>||** (8) pour terminer l'avance ou le recul rapides et reprendre la reproduction normale.

## Scanner Intro (INT)

Pendant la reproduction, pressez le bouton **2/INT** (9) pour sélectionner « INTRO » et jouer les deux premières secondes de chaque piste/ fichier, comme indiqué par le symbole . Lorsque la piste désirée est atteinte, pressez **2/INT** de nouveau pour terminer le scan et jouer la piste sélectionnée.

## Répéter (RPT)

Pressez le bouton **3/RPT** (10) plusieurs fois de suite pendant la reproduction pour sélectionner à partir des options de reproduction que voici :

- VCD/CD: RPT ONE (piste), RPT ALL (disque), RPT OFF
- DVD: RPT CHAPTER, RPT TITLE, RPT OFF
- MP3/WMA: Répéter Fichier, Répéter répertoire/dossier, Répéter Tout (disque), Répéter Off

## Au hasard (RDM)

Pressez le bouton **4/RDM** (11) pendant la reproduction pour sélectionner « RANDOM » et jouer toutes les pistes/fichiers dans un ordre mélangé au hasard. Pressez **4/RDM** de nouveau pour arrêter la reproduction au hasard.

## Répétition du segment (A-B)

Pour répéter un segment spécifié d'une piste, exécuter les étapes suivantes:

1. Pressez le bouton **A->B** (16) sur la télécommande pour sélectionner le point de démarrage. L'affichage va montrer « REPEAT A- ».



2. Pressez **A->B** lorsque vous arrivez au point final désiré. L'affichage montre « REPEAT A-B » et le segment sélectionné va jouer encore et encore.

Pour annuler le segment à répéter, pressez le bouton **A->B** de nouveau. « A-B CANCEL » apparaît sur l'affichage.

### Accès temps de piste GOTO

Utilisez la fonction GOTO pour accéder à une position spécifique sur la piste directement.

1. Pressez le bouton **GOTO** (19) sur la télécommande. La fenêtre Search (Time --:--:--) va apparaître.
2. Utilisez le pavé numérique sur la télécommande pour entrer l'heure exacte sur la piste actuelle à partir de laquelle vous voudriez commencer la reproduction.
3. Pressez le bouton **ENTER** pour confirmer et commencer la reproduction à partir de l'heure de piste sélectionnée.

### Commande de reproduction VCD (VCD Uniquement)

Si vous insérez un VCD avec commande de reproduction, la reproduction commence automatiquement au début de la première piste. Pressez le bouton **MENU** (20) sur la télécommande pour éteindre la commande de reproduction.

### Des fonctions de reproduction DVD/Vidéo supplémentaires

---

**A NOTER: Vous ne pouvez voir de la vidéo lorsque vous conduisez. Lorsque vous tentez de voir de la vidéo et le frein de parking n'est pas engagé, le message suivant apparaîtra sur l'écran : WARNING !! Engage Parking Brake to View Video.**

---

Les fonctions de télécommande suivantes sont disponibles pendant la reproduction DVD :

- **AUDIO:** Pressez pour choisir une langue audio alternative, si disponible. Ce bouton peut aussi montrer les options quadriphoniques différentes en chiffres sur le DVD.
- **SUB-T:** Pressez pour sélectionner une langue de sous-titrage alternative, si disponible.
- **TITLE:** Pressez pour afficher le titre ou la liste des chapitres. Utilisez les boutons curseurs **▲**, **▼**, **◀** ou **▶** ou les boutons numériques pour entrer un numéro de titre ou de chapitre et puis pressez **ENTER** pour jouer.
- **ANGLE:** Pressez pour sélectionner un angle de visionnement alternatif, si disponible.

- **ZOOM:** Pressez pour zoomer l'image à X2, X3, X4, X1/4, X1/2, ou sélectionnez OFF pour revenir à la vue normale.
- **Avance ralenti/Recul ralenti:** Pressez les boutons **▲/▼** sur la télécommande ou les boutons 5/6 (10, 13) sur le panneau de commande pour rembobinage ralenti/recul ralenti. Pressez une fois pour une vitesse 1/2. Pressez plusieurs fois de suite pour 1/4, 1/6 ou 1/8. Pressez le bouton reproduction/pause **>||** button (8) pour terminer l'avance et le recul ralenti et reprendre la reproduction normale.

---

**A NOTER: La disponibilité de la fonction dépend de l'information encadré sur le DVD.**

---



---

**A NOTER: Le VM8023HD ne soutient pas le déchiffrement de la quadriphonie.**

---

## Commander votre iPod

L'appareil va automatiquement changer au mode iPod lorsqu'un iPod est branché au câble iPod. Pour revenir à l'écran iPod de n'importe quelle autre source, pressez le bouton **SRC** (6) sur le panneau d'avant et sélectionnez SOURCE >> iPod. Après avoir changé à la source iPod, le menu iPod apparaît sur l'écran.

---

**A NOTER: Assurez-vous que votre iPod a le micrologiciel le plus récent pour éviter des questions de connectivité.**

---

**Les boutons de télécommande suivants sont utilisé pour accéder aux menus iPod :**

---

Menu	Télécommande
Musique	AUDIO
Photos/Vidéos	TITLE

Utilisez les flèches de navigation sur la télécommande (5) ou les boutons **5 DN/6 UP** sur le panneau de commande pour naviguer les menus iPod. Pressez **ENTER** (↵) sur le panneau d'avant (16) ou sur la télécommande (6) pour sélectionner l'option menu surlignée.

### Reproduction de musique iPod

Le menu musique iPod est automatiquement accédé lorsqu'un iPod est branché à l'appareil ou la source est changé à iPod lorsque le iPod est branché.

- Pressez le bouton > || sur le panneau d'avant (8) ou sur la télécommande (18) pour reproduire ou pauser la piste sélectionnée.
- Pressez le bouton >>| sur le panneau de commande (17) ou sur la télécommande (12) pour jouer le fichier suivant.
- Pressez le bouton |<< sur le panneau d'avant (17) ou sur la télécommande (12) pour jouer le fichier précédent.
- Pressez le bouton **ENTER** (↵) sur le panneau d'avant (16) ou sur la télécommande (6) pour sélectionner l'option menu surlignée.
- Pressez le bouton **BAND** sur le panneau d'avant (3) ou sur la télécommande (25) pour revenir au menu précédent.
- Avance rapide/Recul rapide.

Pressez et maintenez les boutons |<< ou >>| sur le panneau de commande (17) ou sur la télécommande (12) pour 1 seconde et continuer à presser

pour avance rapide/recul rapide. Relâchez pour reprendre la reproduction normale.

### Reproduction Photo/Vidéo

Alors que des photos et vidéos iPod peuvent être vues sur l'écran VM8023HD vous devez utiliser le iPod pour commander des options de reproduction photo et vidéo.

Pressez le bouton **TITLE** (2) sur la télécommande et le VM8023HD va relâcher la commande de retour à iPod pour que vous puissiez sélectionner la média vidéo à afficher sur le moniteur TFT. Pour revenir au mode musique iPod, pressez le bouton **PGM** (14) sur le panneau d'avant ou le bouton **AUDIO** (22) sur la télécommande.

Vous pouvez aussi pressez et maintenez le bouton **PGM** sur le panneau d'avant pour accéder à la reproduction photo/vidéo depuis le iPod à l'écran TFT radio.

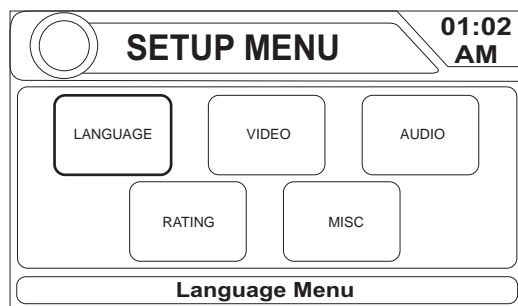
---

**A NOTER: Exige un iPod de cinquième génération ou plus tard pour Soutien Photo/Vidéo. Compatible avec iPod 5 ou 5.5, iPod Classic, iPod Touch, iPhone et iPod Nano avec Vidéo.**

---

## Menu configuration

Pendant la reproduction du disque, pressez le bouton **SETUP** (4) sur la télécommande pour accéder au menu SYSTEM SETUP.



Utilisez les boutons curseurs ▲, ▼, ◀ or ▶ pour choisir entre les options de configuration LANGUAGE, VIDEO, AUDIO, RATING ou MISC.

Table 2: Menu Configuration Système

MENU LANGUE		
Langue de l'affichage sur l'écran	Anglais Espagnol	Sélectionnez la langue sur écran appropriée pour le DVD
Sous-titre	Anglais Français Espagnol Portugais Allemand Off	Choisissez la langue dans laquelle vous voudriez que les sous-titres apparaissent (si disponible)  Mettez les sous-titres en arrêt
DVD menu	Anglais Français Espagnol Allemand Portugais	Choisissez la langue dans laquelle vous voudriez que le menu DVD apparaisse (si disponible)
MENU VIDEO		
Rapport largeur/longueur	4:3 16:9	L'image est présenté avec un rapport largeur/longueur de 4:3 L'image est présenté dans un écran large avec un rapport largeur/longueur de 16:9.
Format Vidéo	NTSC PAL	Les signaux couleur sont sortis dans le format standardisés NTSC. Les signaux couleur sont sortis dans le format standardisés PAL.

Table 2: Menu Configuration Système

	AUTO	La sortie du signal couleur est automatiquement changée en fonction du signal d'entrée vidéo actuel - NTSC ou PAL.
Smart Picture	Standardisé	
	Lumineux	
	Doux	
MENU AUDIO		
Menu Menu	Anglais Français Espagnol Allemand Portugais	Sélectionnez la langue audio appropriée pour le DVD.
MENU RATING		
Réglez le mot de passe	----	Entrez un mot de passe de quatre chiffres pour activer la fonction « Rating ». Le mot de passe d'origine est « 0000 » et doit être entré avant que vous ne puissiez changer le mot de passe avec un code à quatre chiffres différent.
Parental CTR	1 KID SAFE	Sélectionnez le niveau de rating approprié pour l'assistance visée.
	2 G	
	3 PG	Vous pouvez surpasser des ratings plus hauts en utilisant votre mot de passe.
	4 PG13	
	5 PG-R	
	6 R	
	7 NC-17	
	8 ADULT	
MENU MISC		
Utilisez les réglages par défaut	Oui/Non	Sélectionnez « Yes » pour rétablir les réglages d'usine par défaut
Demo	Faites marcher	Le mode démo se déroule à travers les écrans de source diverses, simulant l'activité sur l'affichage. Le mode démo est affiché discrètement en texte jaune (sour l'horloge) pour indiquer que l'appareil est en mode démo. Pour arrêter le mode démo pressez et maintenez le bouton SRC.
Faites marcher automatiquement	Allumé	Lorsque « Demo Auto Run » est allumé, l'appareil va automatiquement afficher le mode démo lorsqu'il est mis en marche.
	Eteint	Lorsque « Auto Run » est éteint, vous pouvez sélectionner « Demo > Run » pour démarrer le mode démo.

## Soin et maintenance

### Lecteur DVD

Les consignes suivantes vous aideront à prolonger la vie de votre lecteur DVD :

1. Lorsque vous nettoyez l'intérieur du véhicule, ne versez pas d'eau ou des liquides détergents sur l'appareil.
2. Le lecteur DVD ne fonctionnera pas bien dans des chaleurs/froid extrêmes ou dans des conditions humides. Dans ce cas, attendez que l'intérieur du véhicule atteigne une température normale ou toute la condensation sur les lentilles du lecteur du disque ait évaporé avant d'utiliser le lecteur.
3. Enlevez toujours le disque lorsque le lecteur n'est pas utilisé.
4. L'appareil est conçu avec un mécanisme d'amortisseur de vibration du disque pour minimiser l'interruption de la reproduction du disque à cause de la vibration normale dans un véhicule en mouvement. Cependant, des sauts de son peuvent survenir lorsque vous conduisez sur des terrains rugueux. Ceci ne va pas égratigner ou endommager le disque et la reproduction normale va reprendre lorsque les conditions rugueuses cessent.

### Capacité CD-R et CD-RW capability

Certains CD-R/RWs peuvent être incompatible avec cet appareil en fonction du type de média et de méthode d'enregistrement. Après l'enregistrement, la séance doit être fermée. Veuillez vous référer aux procédures recommandées de votre logiciel pour fermer un disque/une séance. Réviser votre logiciel d'enregistrement pour vous familiariser avec les bonnes procédures d'enregistrement. Nous recommandons que vous utilisez les versions les plus récente des logiciels d'enregistrement ROXIO™ ou NERO™.

En outre; cet appareil ne va reconnaître que les formats CDDA (Compact Disc Digital Audio), MP3 et WMA enregistrés sur un CD-R/RW. Cet appareil ne soutient pas des formats .WAV, .OGG ou d'autres formats.

### Soin et manipulation du disque

Des saletés, de la poussière, des égratignures et des voilures peuvent provoquer des sauts dans la reproduction et la détérioration de qualité de son. Veuillez suivre les consignes suivantes pour la maintenance de vos disques compacts.



1. Ne touchez pas la surface du disque.
2. N'utilisez jamais des produits chimiques tels que des vaporisateurs des disques ou des détergents domestiques pour nettoyer les disques, comme ils peuvent endommager de manière irréparable la surface du disque.
3. Les disques doivent être gardés dans leur étui de protection quand ils ne sont pas utilisés.
4. N'exposez pas les disques aux rayons de soleil directs, des températures hautes ou de l'humidité intense pendant de longues périodes.
5. Nettoyez les empreintes digitales, de la poussière et des saletés de la surface du disque avec un tissu doux. Essayez à partir le centre du disque jusqu'à la périphérie.
6. **Ne collez pas du papier, des bandes et des étiquettes sur la surface des disques parce que cela peut mener à un endommagement interne.**

## Depannage

Problème	Cause	Action Corrective
Ne fonctionne pas (l'affiche ne s'allume pas)	Pas de puissance au fil jaune, pas de puissance au fil rouge	Vérifiez le branchement avec une lumière d'essai, vérifiez le fusible du véhicule avec une lumière d'essai.
	Fusible a sauté	Remplacez le fusible
Pas de puissance à l'appareil	Fusible a sauté	Vérifiez/remplacez le fusible
Sortie audio basse ou absente	Branchement de sortie audio n'est pas bon	Vérifiez le câblage et corrigez
	Volume est réglé trop bas	Augmentez le niveau de volume
	Les hauts parleurs sont endommagés	Remplacez les hauts parleurs
	Balance de volume est trop asymétrique	Ajustez la balance des canaux pour la ramener au centre
	Le fil de haut parleur est en contact avec la partie métallique de la voiture	Isolez tous les branchements de câbles de haut parleur
Des fusibles sautent	Le fil d'alimentation fait court-circuité à terre	Assurez vous que le fil n'est pas pincé
	Les fils des hauts parleurs font court-circuit à terre	Assurez-vous que le fil n'est pas pincé
	Fusible incorrect ou trop petit	Installez le fusible avec le rating correct
Pas d'image	Branchement incorrect au fil de frein de parking	Vérifiez le câblage de Parking SW et corrigez
	Parking SW est branché mais le frein de parking n'est pas engagé	Arrêtez le véhicule dans un endroit sûr et appliquez le frein de parking.
Image clignotante ou interférence apparaît sur l'écran	DVD n'est pas compatible avec les réglages du système TV actuels	Changez la configuration pour accommoder le disque
	Les branchements de signal vidéo ne sont pas bons	Vérifiez le câblage et corrigez
Image prolongée ou rapport hauteur/largeur affiché n'est pas bon	Le rapport largeur/longueur n'est pas bien configuré	Utilisez le bon réglage de RAPPORT LARGEUR/LONGUEUR
Le disque ne se reproduit pas	Il y a vilure ou égratignure sur le disque	Utilisez le disque en bon état
	Disque est sale ou moite	Essuyez le disque avec un tissu doux
	Le pickup laser est sale	Nettoyez le pickup laser avec le disque de nettoyage
	Disque incompatible est utilisé	Utilisez un disque compatible
	Le rating du disque excède la limite du RATING	Changez les réglages RATING pour abaisser les contraintes
	Le code régional du disque n'est pas compatible avec cet appareil	Utilisez un disque avec le bon code régional
	Le disque est inséré sens dessus sens dessous	Insérez un disque avec la face étiquette en haut
Image floue, tordue ou sombre	Le disque a été illégalement copié	Utilisez le disque original

## Specifications

### Ratings de puissance CEA



Sortie Puissance . . . . . 13 watts RMS X 4 channels into 4-ohms @ < 1% THD+N  
 Rapport signal au bruit . . . . . 70dBA below reference (reference: 1 watt, 4-ohms)  
 Réponse en fréquence . . . . . 20Hz to 20kHz (-3dB), Auxiliary input used as source reference  
 Voltage fourni de référence . . . . . 14.4VDC

### Lecteur DVD/CD

Disque média compatible . . . . . DVD + R / RW and CD-R / RW  
 Formats média compatible . . . . . CD-DA, MP3, WMA, VCD, SVCD, AVI,  
 . . . . . MPEG1 / 2, XviD et Kodak picture CD (JPEG)  
 Rapport signal au bruit . . . . . >95dBA  
 Gamme dynamique . . . . . >95dB  
 Réponse en fréquence . . . . . 20Hz to 20 kHz, -3dB  
 Séparation des chaînes . . . . . > 60dB @ 1 kHz

### Video

Format . . . . . NTSC, PAL (auto-detection)  
 Sortie . . . . . 1Vp-p (75-ohm)  
 Entrée . . . . . 1Vp-p (75-ohm)

### Tuner analogue FM

Gamme de syntonisation . . . . . 87.5MHz - 107.9MHz  
 Sensibilité mono (-30dB) . . . . . 9dBf  
 Sensibilité de mise en sourdine (-50dB) . . . . . 15dBf  
 Sélectionnabilité des chaînes alternatives . . . . . 70dB  
 Rapport signal au bruit @ 1 kHz . . . . . 58dB  
 Rejet de l'image . . . . . 80dB  
 Séparation stéréo @ 1 kHz . . . . . >30dB  
 Réponse en fréquence . . . . . 30Hz - 15 kHz, -3dB

### Tuner Radio HD

FM . . . . . Hybrid -89 dbm, (40 dBf), All Digital -112 dBm (17dBf)  
 AM . . . . . Hybrid -93, dBm, (36 dBf) All Digital -103 dBm (25dBf)  
 Séparation stéréo . . . . . 70 dB  
 Audio THD . . . . . 0.4%  
 Réponse en fréquence (+/-3dB) . . . . . 20 Hz - 18 kHz  
 Rapport signal au bruit (Stereo) . . . . . 70 dB

### Tuner AM

Gamme de syntonisation . . . . . 530 kHz - 1720 kHz  
 Sensibilité (-20dB) . . . . . 15uV  
 Rapport signal au bruit @ 1 kHz . . . . . 50dB  
 Réponse en fréquence . . . . . 50Hz - 2kHz, -3dB

### Moniteur

Screen Size . . . . . 4.3" Digital (Measured diagonally)  
 Zone active . . . . . 95.04 mm (W) x 53.856 mm (H)  
 Type d'écran . . . . . TFT Liquid Crystal Display (LCD) active matrix  
 Résolution . . . . . 480 (W) X 272 (H) sub pixels  
 Taille de pixels . . . . . 0.198 mm (W) x 0.198 (H)  
 Rapport contraste . . . . . 400  
 Luminosité . . . . . 165 cd/m2

### Général

Impédance d'entrée auxiliaire . . . . . 10k  
 L'alimentation . . . . . 11 to 16VDC, negative ground  
 Antenne de puissance (Bleu) . . . . . 500mA max, current limited protection  
 Température d'opération . . . . . -20C ~ 65C  
 Fusible . . . . . 15-amp, ATO type  
 Dimensions du châssis DIN . . . . . 2.0 DIN (Double DIN)

*\*Les spécifications sont susceptibles à changer sans avis préalable.*

# Limited Warranty

## CD or Multimedia Radios/Headunits

**DO NOT RETURN THIS PRODUCT TO THE STORE**

**Audiovox Electronics Corporation (“the Company”) is committed to quality and customer service, and are pleased to offer you this Warranty. Please read it thoroughly and contact the Company at 1-800-323-4815 with any questions.**

### **Who is covered?**

The Company extends this warranty to the original retail purchaser of products purchased through an authorized Audiovox retailer in the U.S.A., Puerto Rico or Canada. This warranty is not transferable or assignable. Proof of purchase is required in the form of an original sales receipt.

### **What is covered?**

The Company warrants that should this product or any part thereof, under normal use, be proven defective in material or workmanship within 12 months from the date of original purchase, such defect(s) will be repaired or replaced with a new or reconditioned product (at the Company's option) without charge for parts and repair labor.

### **What is not covered?**

This Warranty *does not* cover the following:

- Damage incurred during shipping or transporting the product to the Company or a service center
- Elimination of car static or motor noise
- Defects in cosmetic, decorative or non-operative structural parts
- Correction of antenna problems
- Costs incurred for installation, removal or reinstallation of the product
- Consequential damage to compact discs, USB devices, digital media cards, accessories or vehicle electrical systems
- Damage caused by improper installation, mishandling, misuse, neglect, accident, blown fuse, battery leakage, theft or improper storage
- Products whose factory serial number/bar code label(s) or markings have been removed or defaced
- Damage resulting from moisture, humidity, excessive temperature, extreme environmental conditions or external natural causes

**Please review the “Care and Maintenance” section of your Installation and Operation Manual for additional information regarding the proper use of your product.**

### **Limitations**

THE EXTENT OF THE COMPANY'S LIABILITY UNDER THIS WARRANTY IS LIMITED TO THE REPAIR OR REPLACEMENT PROVIDED ABOVE AND, IN NO EVENT, SHALL THE COMPANY'S LIABILITY EXCEED THE PURCHASE PRICE PAID BY PURCHASER FOR THE PRODUCT.

This Warranty is in lieu of all other express warranties or liabilities. ANY IMPLIED WARRANTIES, INCLUDING ANY IMPLIED WARRANTY OF MERCHANTABILITY, SHALL BE LIMITED TO THE DURATION OF THIS WRITTEN WARRANTY. ANY ACTION FOR BREACH OF ANY WARRANTY HEREUNDER INCLUDING ANY IMPLIED WARRANTY OF MERCHANTABILITY MUST BE BROUGHT WITHIN A PERIOD OF 24 MONTHS FROM DATE OF ORIGINAL PURCHASE. IN NO CASE SHALL THE COMPANY BE LIABLE FOR ANY CONSEQUENTIAL OR INCIDENTAL DAMAGES FOR BREACH OF THIS OR ANY OTHER WARRANTY, EXPRESS OR IMPLIED, WHATSOEVER. No person or representative is authorized to assume for the Company any liability other than expressed herein in connection with the sale of this product.

Some states do not allow limitations on how long an implied warranty lasts or the exclusion or limitation of incidental or consequential damage so the above limitations or exclusions may not apply to you. This Warranty gives you specific legal rights and you may also have other rights which vary from state to state.

### **Obtaining Warranty Service**

- To obtain repair or replacement within the terms of this Warranty, call 1-800-323-4815 for the location of a warranty station serving your area.
- You must prepay the initial shipping charges to the Company. The Company will pay the return shipping charges for all warranted products returned to an address within the U.S.A., Puerto Rico or Canada.
- Please package the product securely to avoid shipping damage. We recommend using a carrier that provides tracking service to prevent lost packages. Lost or damaged packages are not covered by this warranty.
- Provide a detailed description of the problem(s) for which you require service.

# Garantía Limitada

## Radios del CD o de los Multimedia

## NO RETORNE ESTE PRODUCTO A LA TIENDA

**Audiovox Electronics Corporation (“la Compañía) es una corporación comprometida con la calidad y el servicio al cliente, y se complace en ofrecerle esta Garantía. Por favor, léala completamente y contacte a la Compañía al 1-800-323-4815 por cualquier duda.**

### ¿Quién está cubierto?

La Compañía extiende esta garantía al comprador minorista original de los productos comprados a un distribuidor Audiovox autorizado en USA, Puerto Rico o Canadá. Esta garantía no es transferible o asignable. Se requiere prueba de compra en forma de recibo de venta original.

### ¿Qué está cubierto?

La Compañía garantiza que si este producto o cualquier parte del mismo, bajo uso normal, se prueba que tiene defectos en materiales o mano de obra dentro de los 12 meses desde la fecha de compra original, dichos defectos serán reparados o reemplazados con un producto nuevo o reacondicionado (a opción de la Compañía) sin costos por repuestos o por labor de reparación.

### ¿Qué no está cubierto?

Esta Garantía *no cubre* lo siguiente:

- Daños ocurridos durante el envío o transporte del producto a la Compañía o al centro de servicio
- Eliminación de estática o ruido de motor
- Defectos en cosmética, partes estructurales decorativas o no operativas
- Corrección de problemas de antena
- Costos incurridos por instalación, retiro o reinstalación del producto
- Daños consecuentes a discos compactos, dispositivos USB, tarjetas multimedia digitales, accesorios o sistemas eléctricos del vehículo
- Daños causados por instalación inadecuada, mal manejo o uso, negligencia, accidentes, fusibles quemados, goteras en la batería, robo o almacenamiento inadecuado.
- Productos cuyo número de serie o código de barra de fábrica o sus marcas hayan sido quitados o borrados
- Daños resultantes de la humedad, temperatura excesiva, condiciones medioambientales extremas o causas naturales externas

**Por favor, revea la sección “Cuidados y Mantenimiento” de su Manual de Instalación y Operación para obtener información adicional relacionada al uso adecuado de su producto.**

### Limitaciones

LA EXTENSIÓN DE LA RESPONSABILIDAD DE LA COMPAÑÍA BAJO ESTA GARANTÍA SE LIMITA A LA REPARACIÓN O REEMPLAZO PROVISTO ARRIBA Y, EN NINGÚN CASO, EXCEDERÁ LA RESPONSABILIDAD DE LA COMPAÑÍA EL PRECIO DE COMPRA PAGADO POR EL COMPRADOR DEL PRODUCTO.

Esta Garantía está en lugar de todas las otras garantías o responsabilidades. CUALQUIER GARANTÍAS IMPLICADAS, INCLUYENDO CUALQUIER GARANTÍA IMPLICADA DE MERCANTIBILIDAD, SERÁ LIMITADA A LA DURACIÓN DE ESTA GARANTÍA ESCRITA. CUALQUIER ACCIÓN POR INCLUMPLIMIENTO DE CUALQUIER GARANTÍA AQUÍ ESPECIFICADA INCLUIDA CUALQUIER GARANTÍA IMPLÍCITA DE MERCANTIBILIDAD DEBE SER LLEVADA A CABO DENTRO DE UN PERIDO DE 24 MESES DESDE LA FECHA DE COMPRA ORIGINAL. IN NINGÚN CASO LA COMPAÑÍA SERÁ RESPONSABLE POR NINGÚN DAÑO CONSECUENTE O INCIDENTAL POR INCLUMPLIMIENTO DE ESTA O CUALQUIER OTRA GARANTÍA, EXPRESA O IMPLICADA, DE NINGUNA FORMA. No se autoriza a ninguna persona o representante a asumir por parte de la Compañía ninguna responsabilidad diferente a la aquí expresada en conexión con la venta de este producto.

Algunos estados no permiten limitaciones sobre el tiempo de duración de una garantía implicada o de la exclusión o limitación de daños incidentales o consecuentes, entonces las limitaciones y exclusiones antes mencionadas pueden no aplicarle a usted. Esta Garantía le da derechos legales específicos y usted también puede tener otros derechos que pueden variar de estado en estado.

### Obteniendo el Servicio de Garantía

- Para obtener reparación o reemplazo dentro de los términos de esta Garantía, llame al 1-800-323-4815 por la ubicación de un servicio de garantía en su área.
- Usted debe pagar previamente los costos de envío inicial a la Compañía. La Compañía pagará los costos de envío de retorno de todos los productos en garantía enviados a direcciones dentro de USA, Puerto Rico o Canadá.
- Por favor empaquete el producto de forma segura para evitar daños en el transporte. Recomendamos usar una empresa de transporte que provea servicio de rastreo para prevenir la pérdida de paquetes. Paquetes perdidos o dañados no están cubiertos por esta garantía.
- Provea una descripción detallada del problema o problemas por los cuales usted requiere servicio.



# Garantie Limitée

*Radios CD ou Multimédia / Unités principales*

**NE RENVOYEZ PAS CE PRODUIT AU MAGASIN**

**Audiovox Electronics Corporation (la Société) s'engage à la qualité et au service des clients, et est content de vous offrir cette garantie. Nous vous prions de le lire attentivement et prendre contact avec la Société au 1-800-323-4815 avec des questions.**

## **Qui est couvert ?**

La Société étend cette garantie à l'acheteur d'origine en détail des produits achetés à un détaillant autorisé d'Audiovox aux Etats-Unis, Puerto Rico ou Canada. Cette garantie ne peut pas être transférée ni aliénée. Preuve d'achat est exigé sous forme du récépissé de vente d'origine.

## **Ce qui est couvert ?**

La Société garantit que si ce produit ou une partie de ce produit, sous l'utilisation normale par l'acheteur d'origine, dans des conditions normales, s'avère défectueux en matériel ou en artisanat, dans 12 mois depuis la date d'achat d'origine, de tels défauts seront réparés ou remplacés avec un nouveau produit ou un produit reconditionné (à la seule discrétion de la société) sans frais pour les pièces de rechange ou le travail réparateur.

## **Ce qui n'est pas couvert ?**

Cette garantie *ne* couvre pas le suivant :

- Des dommages survenus lors de la transportation de ce produit à la Société ou à un centre d'entretien.
- Elimination des parasites de voiture ou le bruit du moteur
- Des défauts dans des parties cosmétiques, décoratives ou structurelles non-opératives
- Rectification des problèmes d'antenne
- Le coût de l'installation, de l'enlèvement ou de la réinstallation du produit
- Dommages indirects aux disques compacts, des engins USB, des cartes de média digitales, des accessoires ou le système électrique du véhicule
- Des dégâts survenus à cause de la manipulation mauvaise, l'installation incorrecte, mauvaise utilisation, négligence, des accidents, des fusibles sautés, fuite de la pile, du vol et du stockage incorrect
- Produits soumis à l'enlèvement ou la dégradation du numéro de série d'usine/étiquettes de code à barres ou des marquages.
- Des dégâts survenus à cause de la moisissure, l'humidité, des températures excessives, des conditions environnementales extrêmes ou des causes naturelles externes

**Veillez revoir la section Soins et Entretien de votre Guide d'Opération, pour avoir des informations supplémentaires quant à la bonne utilisation de votre produit.**

## **Limitations**

LA MESURE DE LA RESPONSABILITE DE LA SOCIETE SOUS CETTE GARANTIE EST LIMITEE A LA REPARATION OU REMPLACEMENT MENTIONNES CI-DESSUS ET DANS AUCUN CAS LA RESPONSABILITE DE LA SOCIETE N'EXCEDERA LE PRIX D'ACHAT PAYE PAR L'ACHETEUR POUR CE PRODUIT.

Cette garantie tient lieu de toute autre garantie ou responsabilité expresses. TOUTE GARANTIE IMPLIQUEE, Y COMPRIS UNE GARANTIE IMPLIQUEE DE MARCHANDABILITE, SERA LIMITEE A LA DUREE DE CETTE GARANTIE ECRITE. TOUTE ACTION POUR RUPTURE D'UNE GARANTIE QUELCONQUE SOUS LA PRESENTE, Y COMPRIS TOUTE GARANTIE IMPLIQUEE DE MARCHANDABILITE DOIT ÊTRE PORTEE DANS UNE PERIODE DE 24 MOIS DEPUIS LA DATE D'ACHAT D'ORIGINE. EN AUCUN CAS LA SOCIETE NE SERA RESPONSABLE POUR TOUT DOMMAGE INDIRECT OU ACCESSOIRE POUR RUPTURE DE CETTE GARANTIE OU TOUTE AUTRE GARANTIE, EXPRESSE OU IMPLIQUEE. Aucune personne ni un représentant n'est autorisée d'assumer de la part de la société une responsabilité autre que celle exprimée ici relatif à la vente de ce produit.

Certains états ne permettent pas de limitations sur la durée d'une garantie impliquée ou sur l'exclusion ou la limitation des dommages indirects et accessoires, tels que les informations ci-dessus ne s'appliquent pas à vous. Cette garantie vous donne des droits légaux spécifiques et vous pouvez aussi jouir d'autres droits qui varient d'état à l'état.

## **Obtenir le service de garantie**

- Pour obtenir la réparation ou le remplacement dans les termes de cette garantie, appelez 1-800-323-4815 pour avoir l'emplacement d'une station de garantie qui dessert votre région.
- Si le produit est envoyé pour un service de garantie vous devez payer les frais de transportation de départ. La Société payera la transportation de retour pour tout produit sous garantie si le produit est retourné à une adresse située aux Etats-Unis, Puerto Rico ou Canada.
- Assurez-vous que le produit soit bien emballé pour éviter des accidents pendant la transportation. Nous recommandons un transporteur qui fournit un service de dépistage pour éviter la perte des paquets. Des paquets perdus ou endommagés ne sont pas couverts par cette garantie.
- Fournissez une description détaillée des problèmes que vous voulez faire résoudre par le service de garantie.

if it's too  
**LOUD**  
you're too  
**OLD!**



Audiovox Electronics Corporation  
Hauppauge, NY 11788  
Technical Assistance: 1-800-323-4815  
[www.jensen.com](http://www.jensen.com)

© 2008 Audiovox  
Ver. 091208  
Printed in China

## Free Manuals Download Website

<http://myh66.com>

<http://usermanuals.us>

<http://www.somanuals.com>

<http://www.4manuals.cc>

<http://www.manual-lib.com>

<http://www.404manual.com>

<http://www.luxmanual.com>

<http://aubethermostatmanual.com>

Golf course search by state

<http://golfingnear.com>

Email search by domain

<http://emailbydomain.com>

Auto manuals search

<http://auto.somanuals.com>

TV manuals search

<http://tv.somanuals.com>