

JENSEN[®] audio

MODEL JCR-255

AM/FM DUAL ALARM AUTO TIME SET CLOCK RADIO

INSTRUCTION MANUAL



Please read and follow this instruction manual carefully before using the unit and retain it for future reference

DEAR JENSEN® CUSTOMER

Selecting fine audio equipment such as the unit you've just purchased is only the start of your musical enjoyment. Now it's time to consider how you can maximize the fun and excitement your equipment offers. This manufacturer and the Electronic Industries Association's Consumer Electronics Group want you to get the most out of your equipment by playing it at a safe level. One that lets the sound come through loud and clear without annoying blaring or distortion and, most importantly, without affecting your sensitive hearing.

Sound can be deceiving. Over time your hearing "comfort level" adapts to higher volumes of sound. So what sounds "normal" can actually be loud and harmful to your hearing. Guard against this by setting your equipment at a safe level BEFORE your hearing adapts.

To establish a safe level:

- Start your volume control at a low setting.
- Slowly increase the sound until you can hear it comfortably and clearly, and without distortion.

Once you have established a comfortable sound level:

- Set the dial and leave it there.

Taking a minute to do this now will help to prevent hearing damage or loss in the future. After all, we want you listening for a lifetime.

We Want You Listening For a Lifetime

Used wisely, your new sound equipment will provide a lifetime of fun and enjoyment. Since hearing damage from loud noise is often undetectable until it is too late, this manufacturer and the Electronic Industries Association's Consumer Electronics Group recommend you avoid prolonged exposure to excessive noise.

Customer's Record:

The serial number of this product is found on its bottom cover. You should note the serial number of this unit in the space provided as a permanent record of your purchase to aid in identification in the event of theft or loss.

Model Number: JCR-255

Serial Number: _____

WARNING

TO PREVENT FIRE OR SHOCK HAZARD, DO NOT USE THIS PLUG WITH AN EXTENSION CORD, RECEPTACLE OR OTHER OUTLET UNLESS THE BLADES CAN BE FULLY INSERTED TO PREVENT BLADE EXPOSURE. TO PREVENT FIRE OR SHOCK HAZARD, DO NOT EXPOSE THIS APPLIANCE TO RAIN OR MOISTURE.



IMPORTANT SAFETY INSTRUCTIONS

1. Read these instructions
2. Keep these instructions
3. Heed all warnings.
4. Follow all instructions.
5. Do not use this apparatus near water.
6. Clean only with dry cloth.
7. Ventilation – Slots and openings in the cabinet are provided for ventilation and to ensure reliable operation of the product and to protect it from overheating, and these openings must not be blocked or covered. The openings should never be blocked by placing the product on a bed, sofa, rug, or other similar surface. This product should not be placed in a built-in installation such as a bookcase or rack unless proper ventilation is provided or the manufacturer's instructions have been adhered to.
8. Do not install near any heat sources such as radiators, heat registers, stoves, or other apparatus (including amplifiers) that produce heat.
9. Grounding or Polarization – This product may be equipped with a polarized alternating-current line plug (a plug having one blade wider than the other). This plug will fit into the power outlet only one way. This is a safety feature. If you are unable to insert the plug fully into the outlet, try reversing the plug. If the plug should still fail to fit, contact your electrician to replace your obsolete outlet. Do not defeat the safety purpose of the polarized plug.
10. Protect the power cord from being walked on or pinched particularly at plugs, convenience receptacles, and the point where they exit from the apparatus.
11. Only use attachments / accessories specified by the manufacturer.
12. Unplug this apparatus during lightning storms or when unused for long periods of time.

13. Refer all servicing to qualified service personnel. Servicing is required when the apparatus has been damaged in any way, such as power-supply cord or plug is damaged, liquid has been spilled or objects have fallen into the apparatus, the apparatus has been exposed to rain or moisture, does not operate normally, or has been dropped.
14. This appliance shall not be exposed to dripping or splashing water and that no object filled with liquids such as vases shall be placed on the apparatus.
15. Use only with the cart, stand, tripod, bracket, or table specified by the manufacturer, or sold with the apparatus. When a cart is used, use caution when moving the cart/apparatus combination to avoid injury from tip-over.

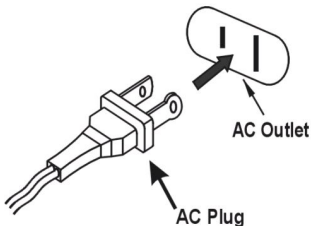


16. The MAINS plug or an appliance coupler is used as the disconnect device, the disconnect device shall remain readily operable.
17. Battery pack or battery installed shall not be exposed to excessive heat such as sunshine, fire or the like.
18. Caution marking and nameplate are located on bottom of product.

Remark: this is CLASS II apparatus with double insulation, and no protective earth provided.

CAUTION

TO PREVENT ELECTRIC SHOCK, MATCH WIDE BLADE OF PLUG TO WIDE SLOT. FULLY INSERT.



IMPORTANT NOTES

Avoid installing the unit in locations described below:

- Places exposed to direct sunlight or close to heat radiating appliances such as electric heaters.
- Dusty places.
- Places subject to constant vibration.
- Humid or moist places.

COMPLIANCE WITH FCC REGULATIONS

This device complies with Part 15 of the FCC Rules. Operation is subject to the following two conditions:

- (1) this device may not cause harmful interference, and
- (2) this device must accept any interference received, including interference that may cause undesired operation.

This equipment has been tested and found to comply with the limits for a Radio Receiver, pursuant to Part 15 of the FCC Rules. These limits are designed to provide reasonable protection against harmful interference in a residential installation. This equipment generates, uses and can radiate radio frequency energy and, if not installed and used in accordance with the instructions, may cause harmful interference to radio communications. However, there is no guarantee that interference will not occur in a particular installation. If this equipment does cause harmful interference to radio or television reception, which can be determined by turning the equipment off and on, the user is encouraged to try to correct the interference by one or more of the following measures:

- Reorient or relocate the receiving antenna.
- Increase the separation between the equipment and receiver.
- Connect the equipment into an outlet on a circuit different from that to which the receiver is connected.
- Consult the dealer or an experienced radio technician for help.

Caution

Changes or modifications to this unit not expressly approved by the party responsible for compliance could void the user's authority to operate the equipment.

Download from www.Somanuals.com. All Manuals Search And Download.

POWER SOURCE

This unit is designed to operate on 120V/60Hz AC house current. Operating this unit from any other power source may cause damage to the unit, and such damage is not covered by your warranty.

The radio is also pre-loaded with 2 x "AA" batteries for the battery back-up and for the Auto Time Set clock system.

BATTERY BACK – UP SYSTEM

The Battery Back-up System ensures the clock and alarm settings will be retained during a power interruption or power outage (in order to preserve the battery life the Display will not light). All clock settings will be kept in memory, however, the clock time may require adjustment for exact accuracy once the power returns. If the batteries are not installed, the Display will blink "12:00" when the power is restored. This will indicate that you have to reset the time and alarm settings.

BATTERY INSTALLATION

1. Open the battery compartment door on the bottom of the cabinet.
2. Insert 2 "AA" size batteries into the battery compartment according to the polarity diagram engraved inside the compartment.
3. Replace the battery compartment Door.
IMPORTANT: Be sure that the batteries are installed correctly. Wrong polarity may damage the unit.
4. Alkaline-type batteries are recommended. For optimum performance, these batteries should be replaced after every year or when batteries become exhausted.
5. Old or leaking battery can cause damage to the unit and will void the warranty.
6. Use only the size and type of batteries specified.
7. Do not mix old and new batteries.
8. Do not mix alkaline, standard (carbon-zinc) or rechargeable (nickel-cadmium) batteries.
9. Do not try to recharge batteries not intended to be recharged; they can overheat, rupture and leak. (Follow battery manufacturer's directions).
10. Do not dispose of batteries in fire, batteries may leak or explode.

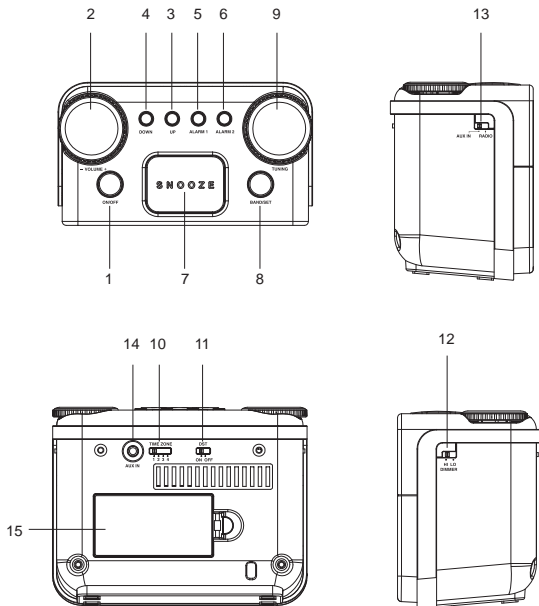
POWER FAILURE INDICATOR

If there are no batteries installed in the unit or if the batteries installed are weak or dead, the time and alarm settings will be lost if the AC power is interrupted. When the AC power is restored the display will blink "12:00". This indicates that the time displayed is incorrect and needs to be reset.

IMPORTANT:

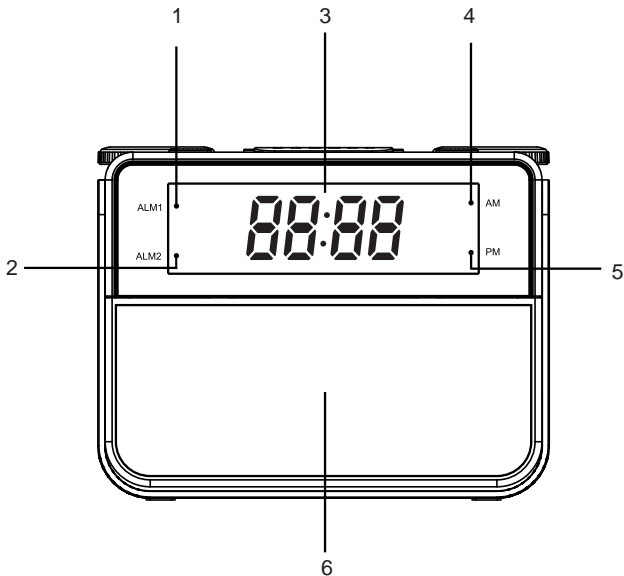
After you reset the time, be sure to reset your alarm settings as well.
Download from www.Somanuals.com. All Manuals Search And Download.

LOCATION OF CONTROLS AND INDICATORS



1. POWER ON/OFF BUTTON	9. TUNNING CONTROL
2. VOLUME CONTROL	10. TIME ZONE SELECTOR
3. CLOCK SETTING UP BUTTON	11. DAYLIGHT SAVING TIME SWITCH
4. CLOCK SETTING DOWN BUTTON	12. DIMMER CONTROL
5. ALARM1 BUTTON	13. AUX IN JACK
6. ALARM2 BUTTON	14. AUX/RADIO SELECTOR
7. SNOOZE BUTTON	15. BATTERY COMPARTMENT
8. (AM/FM)BAND / CLOCK SET BUTTON	

LOCATION OF CONTROLS AND INDICATORS



1. ALARM 1 INDICATOR	4. AM CLOCK INDICATOR
2. ALARM 2 INDICATOR	5. PM CLOCK INDICATOR
3. MULTI FUNCTION DISPLAY	6. SPEAKER

OPERATING INSTRUCTIONS

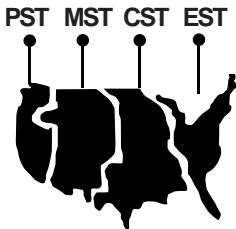
AUTO TIME SET

This unit features an Automatic Time Set system powered by 2 X “AA” batteries (3V DC) (Included), so you do not need to set the clock time when first plugged in. After the unit is plugged in, the LED display will show the current time automatically after you set the time zone and daylight saving time for desired area.

SETTING THE TIME ZONE

Change to your time zone area by sliding the TIME ZONE switch on the back of the unit to the appropriate time zone you live in. The default time zone is set to Eastern Standard Time (EST). Please refer to the time zone map below when setting the switch position on the back.

1. Eastern Standard Time (EST)
2. Central Standard Time (CST)
3. Mountain Standard Time (MST)
4. Pacific Standard Time (PST)



DAYLIGHT SAVING TIME

Slide the DST (Daylight Saving Time) switch on back of the unit to turn Daylight saving time on/off. The clock comes with DST in the ON position as the default. This setting is correct unless you live in Arizona or parts of Indiana where DST is not observed.

IMPOTANT: Do not change this setting unless you live in an area which does not observe the Daylight Saving time change.

NOTE: The batteries will become weak after time, so replace the batteries as needed. To avoid re-program the time and alarm settings, we recommend leaving the unit plugged in when changing the batteries.

SETTING THE CLOCK

In case the back-up batteries are accidentally removed. You will need to set the clock manually.

If the LED display is blinking

1. In standby mode, press the UP button to increase or press the DOWN button to decrease the minutes setting.
2. Press and hold the UP / DOWN button to fast forward/backward the clock setting.
3. Press the BAND/SET button or waiting 5 seconds to confirm the setting.

If the LED display is steady

1. In standby mode, press and hold BAND/SET button for 3 seconds, AM or PM indicator flashes on LED display,
2. Press the UP button to increase or press the DOWN button to decrease the minutes setting.
3. Press and hold the UP / DOWN button to fast forward/backward the clock setting.
4. Press the BAND/SET button again to confirm.

NOTE

There are AM and PM indicators located in the left-hand corner of the clock display. Be sure to observe the correct AM / PM indicator when setting the alarm to make sure the wake time is set correctly for AM or PM.

LISTENING TO RADIO

1. Switch AUX IN / RADIO selector to select radio mode.
 2. Press the ON/OFF button once to turn on the unit, display shows FM or AM frequency for 5 seconds.
 3. Press the BAND/SET button once to select AM / FM band.
 4. Rotary the TUNING control knob to select your desired radio broadcasting station. Display will return to show current time after tuning control idle for 5 seconds.
 5. Adjust VOLUME control to your desired listening level.
- Download from www.Somanuals.com. All Manuals Search And Download.

- When you have finished listening, press the ON/OFF button once to turn off the unit.

TIPS FOR BEST RADIO RECEPTION

AM - The AM antenna is built inside the radio. If AM reception is weak, change the position of the unit until the internal antenna picks up the strongest signal.

FM - If FM reception is weak, fully extend the wire antenna and vary the position and location of the antenna until you find the strongest signal.

ALARM OPERATION

SETTING THE WAKE UP TIME

This unit has Dual Alarm function. Each ALARM can be set to wake to RADIO or ALARM. To set alarm time:

- Press and hold ALARM1 or ALARM2 button for 3 seconds to enter the ALARM setting mode, LED shows the default alarm time 12:00 AM and the ALARM1 or ALARM2 indicator flashing on the display.
- Press UP / DOWN button to adjust minutes of you desired ALARM time. Press and hold the button for fast forward / backward setting the alarm time.
- Press ALARM1 or ALARM2 button again to confirm the ALARM time setting.
- Press ALARM1 or ALARM2 repeatedly to select wake to ALARM (**bUZ**) , RADIO (**rAd**) or turn off the alarm.

CHECKING THE WAKE UP TIMES

Whenever you want to check the wake up time, simply press and hold the ALARM 1 or ALARM 2 button for 3 seconds. The display will change from current time to wake up time. Release the ALARM button, it will return to current time after 5 seconds.

WAKE TO RADIO

- To select wake to radio mode, press the ALARM button you want to set repeatedly until display shows "rAd".
- Release ALARM button and waiting about 5 seconds to confirm.
NOTE: 1. Ensuring a desired radio station is tuned and proper volume is set.
2. If you set the AUX IN / RADIO switch to AUX IN position, buzzer alarm will sound instead of radio.
- The radio will automatically turn on and ALARM indicator flashing when alarm time is reached.
- The radio alarm will keep sounding for 60 minutes and then automatically shut off until same time on the following day.

5. To stop the alarm immediately, press the ON/OFF button once. The radio will stop but the alarm remains set and will turn the unit on again at the same time on the following day.
6. To turn off the alarm completely, press the ALARM button repeatedly until ALARM indicator turns off.

WAKE TO BUZZER

1. To select wake to buzzer mode, press the ALARM button repeatedly until the display shows "bUZ".
2. Release ALARM button and wait about 5 seconds to confirm the setting.
3. The buzzer alarm will automatically turn on and the ALARM indicator will flash when alarm time is reached. It starts softly and becomes gradually louder.
4. The buzzer alarm will keep sounding for 60 minutes and then automatically shut off until same time on the following day.
5. To stop the alarm immediately, press the ON/OFF button once. The buzzer alarm will stop but the alarm remains set and will turn the unit on again at the same time on the following day.
6. To turn off the buzzer alarm completely, press the ALARM button repeatedly until ALARM indicator turns off.

NOTE: If you set the second alarm and it is reached while the first alarm is sounding, the second alarm will sound and cancel the previous alarm.

SNOOZE OPERATION

You may active the SNOOZE function manually after the alarm sounds by pressing the SNOOZE button. The snooze time can be adjusted from 1 ~ 30 minutes, the default snooze time setting is 9 minutes.

SNOOZE TIME SETTING:

1. In standby mode, press and hold SNOOZE for 3 seconds, the display shows current snooze time and flashes.
2. Press the UP / DOWN button to increase / decrease the snooze time.
3. Press the SNOOZE button again to confirm.

SNOOZE FUNCTION

1. When the ALARM sounds, press the SNOOZE button to pause the ALARM. The ALARM will come again after your pre-set SNOOZE time is reached.
2. When the Snooze time starts, press the SNOOZE button again to check remaining time left.
3. This manual snooze operation can be repeated again and again.

BACKLIGHT BRIGHTNESS OPERATION

You can change the LED brightness by switching the HI / LO dimmer switch located on the side of the cabinet.

AUXILIARY INPUT

This unit features an AUX line-in jack for connecting your iPod, MP3 player or other digital music players.

1. Connect the headphone jack of your external device to the AUX IN jack located on the back of the unit (cable not included).
2. Turn on the unit and set the FUNCTION Selector to the "AUX IN" position.
3. Start playing your iPod, MP3 player or other external audio device.
4. Slowly adjust both volume controls on the unit and the external device.
5. Turn off your iPod, MP3 player etc. when finish listening.
6. Turn the unit off and unplug the AUX Line-in jack.

CARE AND MAINTENANCE

1. If the cabinet becomes dusty, wipe the exterior with a soft dust cloth only. Never use dusting sprays or polishes on the cabinet.
2. If the cabinet becomes dirty or smudged with fingerprints it may be wiped with a soft cloth that has been slightly dampened with a mild soap and water solution.
3. Always disconnect the power cord from the AC outlet before cleaning. Never allow any liquid to get inside the cabinet.

NOTE

1. If there are no batteries in the battery back-up compartment, the Auto Set Time and Alarm settings will be lost when the AC power cord is disconnected for cleaning. You will need to reset the clock and alarm time(s) after reconnecting the AC power cord. Follow the "SETTING THE CLOCK" section above if needed.
2. If "**AtS**" is shown on the display during normal operation, please press the power ON/OFF button once to return to normal operation.

SPECIFICATIONS

Power Requirement:	AC 120V~60HZ 6W
Battery Backup For Clock:	2 X"AA" (UM-3)
Frequency Range:	AM 530-1710kHz, FM 88-108MHz

SERVICE

Please refer to the instructions on the enclosed warranty card for returning your unit for service. When returning the unit, please remove the battery to prevent damage to the unit in transit and/or from possible battery leakage. We are not responsible for battery returned with the product or for the cost of replacement.

Distributed by:

Spectra Merchandising International, Inc.

Chicago Industry Tech Park

4230 North Normandy Avenue

Chicago, IL 60634, U.S.A.

Please have model number ready, for Customer Service, call 1-800-777-5331

Printed in China

Free Manuals Download Website

<http://myh66.com>

<http://usermanuals.us>

<http://www.somanuals.com>

<http://www.4manuals.cc>

<http://www.manual-lib.com>

<http://www.404manual.com>

<http://www.luxmanual.com>

<http://aubethermostatmanual.com>

Golf course search by state

<http://golfingnear.com>

Email search by domain

<http://emailbydomain.com>

Auto manuals search

<http://auto.somanuals.com>

TV manuals search

<http://tv.somanuals.com>