

# JENSEN<sup>®</sup>

a u d i o

---

## MODEL JCR-290 AM/FM TALKING DUAL ALARM CLOCK RADIO WITH SMART TALK™



### USER MANUAL

PLEASE READ THIS USER MANUAL COMPLETELY BEFORE  
OPERATING THIS UNIT AND RETAIN THIS BOOKLET FOR  
FUTURE REFERENCE.

# WARNING

**TO PREVENT FIRE OR SHOCK HAZARD, DO NOT USE THIS PLUG WITH AN EXTENSION CORD, RECEPTACLE OR OTHER OUTLET UNLESS THE BLADES CAN BE FULLY INSERTED TO PREVENT BLADE EXPOSURE. TO PREVENT FIRE OR SHOCK HAZARD, DO NOT EXPOSE THIS APPLIANCE TO RAIN OR MOISTURE.**

**WARNING:**

To reduce the risk of fire or electric shock, do not expose this appliance to rain or moisture.

**CAUTION:**

Use of controls or adjustments or performance of procedures other than those specified may result in hazardous radiation exposure.



**CAUTION - TO REDUCE THE RISK OF ELECTRIC SHOCK, DO NOT REMOVE COVER (OR BACK). NO USER-SERVICING TO QUALIFIED SERVICE PERSONNEL.**



The lightning flash with arrowhead symbol, within an equilateral triangle, is intended to alert the user to the presence of uninsulated "dangerous voltage" within the product's enclosure that may be of sufficient magnitude to constitute a risk of electric shock to persons.



The exclamation point within an equilateral triangle is intended to alert the user to the presence of important operating and maintenance (servicing) instructions in the literature accompanying the appliance.

The caution marking is located at the back cabinet of the apparatus.

## IMPORTANT SAFETY INSTRUCTIONS

- 1) Read these Instructions.
- 2) Keep these Instructions.
- 3) Heed all Warnings.
- 4) Follow all Instructions.
- 5) Do not use this apparatus near water.
- 6) Clean only with a dry cloth.

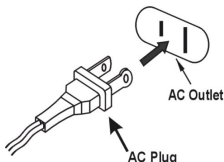
- 7) Do not block any ventilation openings. Install in accordance with the manufacturer's instructions.
- 8) Do not install near any heat sources such as radiators, heat registers, stoves, or other apparatus (including amplifiers) that produce heat.
- 9) Do not defeat the safety purpose of the polarized or grounding-type plug. A polarized plug has two blades with one wider than the other. A grounding type plug has two blades and a third grounding prong. The wide blade or the third prong are provided for your safety. When the provided plug does not fit into your outlet, consult an electrician for replacement of the obsolete outlet.
- 10) Protect the power cord from being walked on or pinched particularly at plugs, convenience receptacles, and the point where they exit from the apparatus.
- 11) Only use attachments/accessories specified by the manufacturer.
- 12) Use only with a cart, stand, tripod, bracket, or table specified by the manufacturer, or sold with the apparatus. When a cart is used, use caution when moving the cart/apparatus combination to avoid injury from tip-over.
- 13) Unplug this apparatus during lightning storms or when unused for long periods of time.
- 14) Refer all servicing to qualified service personnel. Servicing is required when the apparatus has been damaged in any way, such as power-supply cord or plug is damaged, liquid has been spilled or objects have fallen into the apparatus, the apparatus has been exposed to rain or moisture, does not operate normally, or has been dropped.
- 15) The apparatus shall not be exposed to dripping or splashing and that no objects filled with liquids, such as vases, shall be placed on apparatus.
- 16) Main plug is used as disconnect device and it should remain readily operable during intended use. In order to disconnect the apparatus from the mains completely, the mains plug should be disconnected from the mains socket outlet completely.
- 17) Battery shall not be exposed to excessive heat such as sunshine, fire or the like.
- 18) The marking information is located at the bottom of apparatus.
- 19) **CAUTION**  
Danger of explosion if battery is incorrectly replaced. Replace only with the same or equivalent type.

PORTABLE CART WARNING  
(Symbol provided by IECAC)



## CAUTION:

**TO PREVENT ELECTRIC SHOCK,  
MATCH WIDE BLADE OF AC  
PLUG TO WIDE SLOT.  
FULLY INSERT.**



# SAVE THESE INSTRUCTIONS

## COMPLIANCE WITH FCC REGULATIONS

This equipment has been tested and found to comply with the limits for a radio receiver, pursuant to Part 15 of the FCC Rules. These limits are designed to provide reasonable protection against harmful interference in a residential installation. This equipment generates, uses and can radiate radio frequency energy and, if not installed and used in accordance with the instructions, may cause harmful interference to radio communications. However, there is no guarantee that interference will not occur in a particular installation. If this equipment does cause harmful interference to radio or television reception, which can be determined by turning the equipment off and on, the user is encouraged to try to correct the interference by one or more of the following measures:

- Reorient or relocate the receiving antenna.
- Increase the separation between the equipment and receiver.
- Connect the equipment into an outlet on a circuit different from that to which the receiver is connected.
- Consult the dealer or an experienced radio/TV technician for help.

### **WARNING**

Changes or modifications to this unit not expressly approved by the party responsible for compliance could void the user's authority to operate the equipment.

## DEAR JENSEN CUSTOMER

Selecting fine audio equipment such as the unit you've just purchased is only the start of your musical enjoyment. Now it's time to consider how you can maximize the fun and excitement your equipment offers. This manufacturer and the Electronic Industries Association's Consumer Electronics Group want you to get the most out of your equipment by playing it at a safe level. One that lets the sound come through loud and clear without annoying blaring or distortion and, most importantly, without affecting your sensitive hearing.

Sound can be deceiving. Over time your hearing "comfort level" adapts to higher volumes of sound. So what sounds "normal" can actually be loud and harmful to your hearing. Guard against this by setting your equipment at a safe level BEFORE your hearing adapts.

**To establish a safe level:**

- Start your volume control at a low setting.
- Slowly increase the sound until you can hear it comfortably and clearly, and without distortion.

**Once you have established a comfortable sound level:**

- Set the dial and leave it there.

Taking a minute to do this now will help to prevent hearing damage or loss in the future. After all, we want you listening for a lifetime.

**We Want You Listening For a Lifetime**

Used wisely, your new sound equipment will provide a lifetime of fun and enjoyment. Since hearing damage from loud noise is often undetectable until it is too late, this manufacturer and the Electronic Industries Association's Consumer Electronics Group recommend you avoid prolonged exposure to excessive noise.



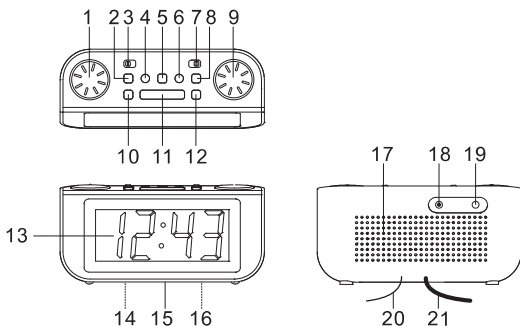
**Customer's Record:**

The serial number of this product is found on its bottom. You should note the serial number of this unit in the space provided as a permanent record of your purchase to aid in identification in the event of theft or loss.

**Model Number: JCR-290**

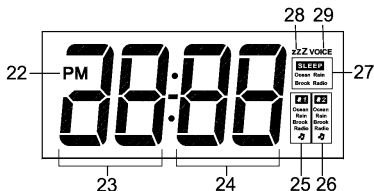
**Serial Number: \_\_\_\_\_**

## LOCATION OF CONTROLS



### Controls and Functions of Unit

1. Volume Control	12. On/Off Button
2. ALARM 1 (AL1) On/Off Button	13. LCD Panel
3. Trigger On/Off Switch	14. Rating Label
4. < (Down) Button	15. Reset Button
5. Set Button	16. Battery Compartment Cover
6. > (Up) Button	17. Speaker
7. AM/FM Band Selector	18. Line In Jack
8. ALARM 2 (AL2) On/Off Button	19. Display Hi/Lo Dimmer Button
9. Tuning Control	20. FM Wire Antenna
10. Sleep Button	21. AC Power Cord
11. Snooze Bar (also works as Trigger Button for Smart Talk™)	



### LCD Panel Indicators

22. PM Indicator
23. Hour Digits
24. Minute Digits
25. AL1 and Sound Effect Indicators
26. AL2 and Sound Effect Indicators
27. SLEEP and Sound Effect Indicators
28. SNOOZE Indicator
29. Smart Talk Indicator

## IMPORTANT NOTES

Avoid installing the unit in locations described below:

- Places exposed to direct sunlight or close to heat radiating appliances such as electric heaters.
- Humid, moist or dusty places.
- Places subject to constant vibration.
- Noisy places.

## POWER SOURCES

This unit operates on 120V~ 60Hz and requires 2 x CR2032 Lithium batteries (not included) for system and time backup during power outage. Do not attempt to operate the radio on any other power source. You could cause damage to the unit and void your warranty.

## INSTALLING BACKUP BATTERIES

1. Remove the BATTERY COMPARTMENT COVER.
2. Install 2 x 3V---type CR2032 Lithium batteries (not included) according to the polarity indications on the BATTERY COMPARTMENT COVER.
3. Close the BATTERY COMPARTMENT COVER.

**NOTE:** The unit will operate without batteries installed, but your time and alarm settings will be lost and have to be reset in the event of a power interruption or failure.

**IMPORTANT:** Be sure that the batteries are installed correctly. Wrong polarity may damage the unit and void the warranty.  
For best performance and longer operating time, we recommend the use of good quality batteries.



### CAUTIONS

1. Do not mix old and new batteries.
2. Do not mix alkaline, standard (carbon-zinc) or rechargeable (nickel-cadmium) batteries.
3. If the unit is not to be used for an extended period of time, remove the batteries. Old or leaking batteries can cause damage to the unit and may void the warranty.
4. Do not dispose of batteries in fire, batteries may explode or leak.
5. Replace all the batteries, no matter exhausted or not, every 2 years at the same time to avoid possible battery leakage.

## CONNECTING THE UNIT TO AC POWER SOURCE

Please be sure the outlet you plug this unit into is working and provides uninterrupted power.

1. Insert the AC plug of the AC power cord into a 120V~ 60Hz outlet.
2. Press the RESET BUTTON on the bottom of the unit with a pointed object (e.g. a straighten paper clip) to initialize. After a brief self test, the unit enters the clock mode.
3. To listen to the radio, press On/Off Button.



## WHAT IS SMART TALK™?

Smart Talk is an innovative clock operating system using the latest voice recognition technology. It's the HANDS-FREE way to set your alarm clock. No more fumbling with instructions or pressing multiple buttons to set the time and alarm. Once the system is activated by saying the trigger word "Smart Talk", you now simply say one of the preset voice commands and follow the voice prompts to set-up the clock using your voice! Setting the Time, Alarm, Sleep Time, Sleep Sound and Alarm Sounds are just a few of the features you can control with voice commands.

As you become more familiar with this technical marvel you will understand that it has been specifically programmed for voice command of multiple functions. Depending on the surrounding ambience (potential noise influence) and how you speak its "language", there may be instances of misunderstood commands. If this happens, just repeat them after checking the way to say your commands so that SmartTalk will obey and also talk to you properly. Finally this product can have all functions operated manually the same as all other clock radios.

## SETTING UP DAILY ALARMS AND CLOCK

### USING MANUAL SETTINGS

In radio off mode, press SET BUTTON (#5) to enter AL1/AL2/Time setup mode.

1. The HOUR DIGITS and AL1 indicator in the LCD panel will flash.
2. Using the > (UP) (#6) or < (DOWN) (#4) BUTTONS, adjust to the desired hour for AL1.
3. Press SET BUTTON (#5). The MINUTE DIGITS and AL1 indicator in the LCD panel will flash (#25).
4. Using the > (UP) (#6) or < (DOWN) (#4) BUTTONS, adjust to the desired minute for AL1.
5. Press SET BUTTON (#5). The SOUND EFFECT INDICATORS of AL1 will flash (#25).
6. Use the > (UP) (#6) or < (DOWN) (#4) BUTTONS to choose a Wakeup Alarm Sound - Ocean, Rain, Brook, Radio or Beep Alarm.

7. Press SET BUTTON (#5) to proceed to AL2 settings following steps #1 to 6 above. AL2 indicators (#26) will respond to the features chosen.
8. Press SET BUTTON (#5) to proceed to TIME settings following steps #1 to 4 above.
9. Press SET BUTTON (#5) to proceed to Sleep Sound settings.
10. Use the > (UP) (#6) or < (DOWN) (#4) BUTTONS to choose a Sleep Sound - Ocean, Rain, Brook or Radio.
11. Except in alarm, snooze or sleep modes, you may cycle through and review the set alarm time, alarm sound and sleep sound settings by pressing the SET BUTTON (#5) repeatedly.

### **USING SMART TALK™**

For correct operation of SMART TALK, please be sure to operate the unit in the following conditions:

- The ambient condition is fairly quiet.
- The radio or alarm sound is not playing.
- The TRIGGER SWITCH (#3) is set to ON. The "Voice" indicator (#29) will turn on.
- You are within 6 – 24 inches from the built-in MICROPHONE located on the top of the unit right behind the SET BUTTON (#5). (Remarks: the farther away from the mic, the louder you have to say the voice commands.)

## SMART TALK COMMANDS

COMMAND PHRASE	FUNCTION DESCRIPTION AND FACTORY PRESET
<b>Smart Talk</b>	Trigger word to activate the voice recognition system.
<b>Time</b>	To check the current time. * Factory preset time is 12:00AM.
<b>Set Time</b>	To set the current time in AM or PM.
<b>Alarm</b>	To check the alarm time and status of AL1 & AL2. If the alarm is currently off, you have the option to turn it on or vice versa. * Factory preset alarm time is 7:00AM for AL1 and 8:00AM for AL2.
<b>Set Alarm</b>	To set the alarm time of AL1 & AL2 in AM or PM.
<b>Alarm Sound</b>	To set the alarm sound for AL1 & AL2. You can select from among 3 nature sounds (Ocean, Rain or Brook), radio or the beep alarm. * Factory preset alarm sound is beep alarm for both AL1 & AL2.
<b>Alarm Off</b>	To cancel current alarm for the day while alarming is sounding or clock is in snooze mode.
<b>Snooze</b>	To activate the 9 minute Snooze while an alarm is sounding. You must say the command word "Snooze" during the brief pause during the alarm (except radio mode in which you need to tap the SNOOZE BAR) for it to work correctly.
<b>Sleep Time</b>	To set sleep time for 15, 30, 45 or 60 minutes or to turn it off. * Factory preset sleep time is 60 minutes.
<b>Play Sleep Sound</b>	To choose a sleep sound from among 3 nature sounds (Ocean, Rain or Brook), or radio. If the sleep time is default to 60 minutes. You can adjust sleep sound output between levels 1-4 by pressing the > (UP) (#6) or < (DOWN) (#4) BUTTONS. * Factory preset sleep sound is Ocean and its output level is "2".
<b>Display</b>	To set the LCD backlight brightness to HI or LO. * Factory preset LCD brightness is High.
<b>Cancel</b>	To terminate the Smart Talk function immediately after it is activated. It can also be used in the middle to terminate certain Smart Talk commands: Set Alarm, Alarm Sound, Sleep Time, Play Sleep Sound and Display.

## CURRENT TIME SETTING AND REPORTING

### TO SET THE CURRENT TIME

1. Start by saying the trigger word **“Smart Talk”** or press the SNOOZE BAR (#11).
2. The unit will reply **“Yes”** and will wait for your next command.
3. Say **“Set Time”** and the unit will reply **“Tell me the current time including AM or PM”**.
4. Say the current time you wish to set the clock to. Example: to set the clock to 3:23AM, say **“Three Twenty Three AM”**.
5. When the time is successfully understood, the unit will reply, **“The time is ...”** and repeat the time you gave. Example: if you said to set the time to 3:23AM, the reply will be **“The time is three-twenty-three AM”**.
6. If the unit fails to understand the time given, it will reply, **“I’m sorry. I didn’t get that. Please tell me the current time, for example, seven-thirty-five PM”**. Now repeat step #4 above.
7. If the unit fails to understand the time given a second time, it will reply, **“I’m sorry. I did not understand you, please start over or set the time manually”**. If this occurs, repeat steps #1 - 4 above again making sure you speak clearly in a normal voice and avoid pauses between words.

### TO CHECK THE CURRENT TIME

1. Start by saying the trigger word **“Smart Talk”** or press the SNOOZE BAR (#11).
2. The unit will reply **“Yes”** and will wait for your next command.
3. Say **“Time”** and the unit will reply **“The time is ...”** followed by the present time.

## ALARM TIME AND ALARM SOUND SETTING / CHECKING

### TO SET THE ALARM TIME (AL1/AL2)

1. Start by saying the trigger word **“Smart Talk”** or press the SNOOZE BAR (#11).
2. The unit will reply **“Yes”** and will wait for your next command.

3. Say **“Set Alarm”** and the unit will reply **“Say Alarm One or Alarm Two”**.
4. To set Alarm One, say **“Alarm One”**. You can also say the command **“Cancel”** during this step if you wish to cancel setting the alarm and the unit will reply **“OK”** to confirm..
5. If the unit fails to understand the alarm source given, it will reply, **“Please Repeat”**. Now repeat step #4 above.
6. If the unit fails to understand the alarm source given a second time, it will reply **“I’m sorry. I did not understand you, please start over or set the alarm time manually”**. If this occurs, repeat steps #1 - 4 above again making sure you speak clearly in a normal voice.
7. When the alarm source is successfully understood, the unit will reply, **“Please say the time you would like the alarm to sound, including AM or PM”**.
8. Say the time you wish Alarm One to sound. Example: to set Alarm One to 10:19AM, say **“Ten- Nineteen AM”**.
9. When the alarm one time is successfully understood, the unit will reply **“Alarm One is now set to ...”** and repeat the time you gave. Example: if you said to set the alarm time to 10:19AM, the reply will be **“Alarm One is now set to ten-nineteen AM”**. The Alarm One indicator on the display (#25) will now light.
10. If the unit fails to understand the alarm time given, it will reply, **“I’m sorry, I didn’t get that. Please tell me the time you would like the alarm to set, for example, eight-thirty AM”**. Now repeat step #8 above.
11. If the unit fails to understand the alarm time given a second time, it will reply **“I’m sorry. I did not understand you, please start over or set the alarm time manually”**. If this occurs, repeat steps #1 – 4 and 8 above again making sure you speak clearly in a normal voice and avoid pauses between words.
12. **To set Alarm Two**, repeat steps #1 - 4 above and say **“Alarm Two”** when prompted (step #4). The Alarm Two indicator on the display (#26) will light once complete.

## TO SET THE ALARM WAKE SOUNDS (AL1/AL2)

1. Start by saying the trigger word **“Smart Talk”** or press the SNOOZE BAR (#11).
2. The unit will reply **“Yes”** and will wait for your next command.
3. Say **“Alarm Sound”** and the unit will reply **“To set alarm sound, please say Alarm One or Alarm Two”**.
4. **To set Alarm One**, say **“Alarm One”**. You can also say the command **“Cancel”** during this step if you wish to cancel setting the alarm sound.
5. If the unit fails to understand the alarm source given, it will reply, **“Please Repeat”**. Now repeat step #4 above.
6. If the unit fails to understand the alarm source given a second time, it will reply **“I’m sorry. I did not understand you, please start over or set the alarm sound manually”**. If this occurs, repeat steps #1 - 4 above again making sure you speak clearly in a normal voice.
7. When the alarm source is successfully understood, the unit will reply, **“To choose an alarm sound, say Ocean, Rain, Brook, Radio or Beep”**.
8. Say **Ocean, Rain, Brook, Radio or Beep**. You can also say the command **“Cancel”** during this step if you wish to cancel setting the alarm sound and the unit will reply **“OK”** to confirm.
9. When the alarm sound is successfully understood, the unit will reply **“Alarm One sound is set to...”** and repeat the alarm sound you have chosen. The alarm one sound selected will light in the display (#25).
10. If the unit fails to understand the alarm sound given for the first and second times, it will reply **“Please Repeat”**. Now repeat step #8 above.
11. If the unit fails to understand the alarm sound given a third time, it will exit with further prompt message.
12. **To set Alarm Two Sound**, repeat steps #1 – 4 and 8 above and say **“Alarm Two”** when prompted (step #4). The alarm two sound selected will light in the display (#26) when completed.

## NOTE:

- When the preset alarm time is reached, the chosen alarm sound will start sounding at a fairly low volume level and gradually increase to a very loud volume level in 60 seconds. It will last for 60 minutes if uninterrupted.
- When the alarm is sounding, there will be a periodic pause in the alarm sound if you chose a nature sound (Ocean, Rain or Brook) or the Beep for your wake alarm. This is normal and the point where the unit is listening for one of the two Smart Talk commands (“Snooze” or “Alarm Off”).
- If radio is chosen as the alarm sound, you will not be able to use Smart Talk commands to activate snooze or turn the alarm off. This will need to be done manually by pressing either AL1 ON/OFF (#2), AL2 ON/OFF (#8) or ON/FF (#12) BUTTON.
- If the latter alarm time is reached before the first sounding alarm has ended, the first alarm will be instantly overridden and the new alarm session will sound for 60 minutes if uninterrupted.
- An active alarm will always sound no matter the unit is off, in sleep mode or playing through a radio/external MP3 player.
- If you choose the radio alarm but an external audio device remains to be connected to the LINE IN JACK (#18) by a stereo cord (not included) when the alarm time is reached, the beep alarm will automatically switch in to substitute the radio alarm.

## TO CHECK THE ALARM TIME (AL1/AL2)

1. Start by saying the trigger word “**Smart Talk**” or press the SNOOZE BAR (#11).
2. The unit will reply “**Yes**” and will wait for your next command.
3. Say “**Alarm**” and the unit will announce the Alarm One time, play a brief sample of the alarm sound and also ask if you want to turn the alarm off if on.
4. Alarm Two settings will be announced in the same way once the Alarm One setting checks are completed.
  - a. **Example:** You say “**Alarm**”.
  - b. The unit will reply, “**Alarm One is set to ...**” and announce the time alarm one is set to.
  - c. If Alarm one is on, the unit will continue, “**The Alarm is On**” and play a brief sample of the alarm sound for it.

- d. The unit will now ask **“Would you like to turn off the Alarm?”**
- e. If you say “Yes”, the unit will reply **“Alarm One is Off”** and proceed to announce the Alarm Two settings. If you say “No”, it will proceed to Alarm Two.
- f. Alarm Two check will be announced in the same way as alarm one above.

## SNOOZE FUNCTION

When the preset alarm time is reached, the chosen alarm sound will start. You can momentarily stop the alarm sound for 9 minutes by using the snooze function. The snooze function can be repeated for a maximum of 6 times within 60 minutes from the original preset alarm time.

### MANUAL OPERATION

1. When any alarm is sounding, press the SNOOZE BAR (#11) for a 9-minute snooze.
2. The SNOOZE INDICATOR (#28) will turn on.
3. When snooze expires, the alarm sound will resume.
4. You can repeat snooze operation for a maximum of 6 times within 60 minutes from the original preset alarm time.
5. You can cancel snooze any time by pressing the ON/OFF BUTTON (#12).
6. The SNOOZE INDICATOR (#28) will go off.
7. The alarm will now be off and ready to sound the next day at the preset time.

### USING SMART TALK™

1. When the designated alarm time is reached, there will be a periodic pause in the alarm sound if you have chosen a nature sound (Ocean, Rain or Brook) or the Beep for your wake alarm. This is normal and during the pause is where the unit is listening for the “Snooze” command.

Note: If radio is chosen as the alarm sound, it will play without interruption and therefore you will not be able to use Smart Talk “Snooze” command to activate the snooze. This will need to be done manually by pressing the SNOOZE BAR (#11).



2. Say “**Snooze**” during one of the pauses in the alarm sound to activate the 9-minute snooze.
3. If your command is correctly recognized, the SNOOZE INDICATOR (#28) will turn on.
4. When snooze expires, the alarm sound will resume.
5. You can repeat snooze operation for a maximum of 6 times within 60 minutes from the original preset alarm time.
6. You can cancel snooze any time by saying “**Alarm Off**” or manually pressing ON/OFF BUTTON (#12).
7. If you press the SLEEP BUTTON (#10) once, snooze and only the alarm in effect will be cancelled at once and go into sleep mode directly. The desired sleep time can be adjusted by pressing the SLEEP BUTTON (#10) repeatedly.
8. If the “**Alarm Off**” command is correctly recognized, the unit will reply “**Yes**” and SNOOZE INDICATOR (#28) will go off.
9. The alarm will now be off and ready to sound the next day at the preset time.

## TURNING OFF THE ALARM

You can turn the alarm off for the day only so that it will sound again on the following day or you can turn the alarm completely off by disabling it.

### MANUAL OPERATION

1. When an alarm is sounding, press the ON/OFF button (#12) to turn the alarm off only for the day. The alarm will sound again the next day at the same preset time. The alarm indicators on the display (#25 & #26) will remain on.
2. If you do not wish the alarm to sound again, you can disable it by pressing either the AL1 ON/OFF BUTTON (#2) or AL2 ON/OFF BUTTON (#8). The corresponding alarm indicators on the display (#25 & #26) will go off.
3. To enable the alarms again, press either the AL1 ON/OFF BUTTON (#2) or AL2 ON/OFF BUTTON (#8). The corresponding alarm indicators on the display (#25 & #26) will turn on.

## USING SMART TALK™

1. When the designated alarm time is reached, there will be a periodic pause in the alarm sound if you chose a nature sound (Ocean, Rain or Brook) or the Beep for your wake alarm. This is normal and during the pause is where the unit is listening for the **“Alarm Off”** command.
2. Say **“Alarm Off”** during one of the pauses in the alarm sound to turn the Alarm off for the day. If the **“Alarm Off”** command is correctly recognized, the unit will reply **“Yes”** and the alarm sound will stop. The alarm will sound again the next day at the same preset time.
3. If radio is chosen as the alarm sound, it will play without interruption and therefore you will not be able to use Smart Talk **“Alarm Off”** command to turn it off. The radio alarm will have to be turned off by pressing either AL1 ON/OFF (#2), AL2 ON/OFF (#8) or ON/FF (#12) BUTTON.
4. Follow the steps in the above Smart Talk section **“TO CHECK THE ALARM TIME (AL1/AL2)”** to turn the specific alarm off with voice commands if it is initially on. The corresponding alarm indicator on the display (#25 and/or #26) will turn off to confirm.

## SETTING UP THE SLEEP SOUND AND TIME

You can choose either a nature sound (Ocean, Rain or Brook) or the radio as a sleep sound.

The sleep time can be adjusted from: 15, 30, 45 or 60 minutes and OFF.

## MANUAL SETTING

### SETTING THE SLEEP SOUND

1. The Sleep Sound can be set by repeatedly pressing the SET BUTTON until you get to the Sleep Sound settings.
2. Use the > (UP) (#6) or < (DOWN) (#4) BUTTONS to choose a Sleep Sound (Ocean, Rain, Brook or Radio).
3. The display will show the chosen Sleep sound (#27).

## ACTIVATE SLEEP MODE AND SETTING SLEEP TIME

1. Press the SLEEP BUTTON (#10) to start the sleep mode.
2. The sleep time is default to 60 minutes on first use and “60” will on the display (#24).
3. Press the SLEEP BUTTON (#10) repeatedly to cycle through shorter sleep time options of 45, 30, 15 minutes or OFF.

## USING SMART TALK™

### SETTING THE SLEEP SOUND

1. Start by saying the trigger word “**Smart Talk**” or press the Snooze Bar (#11).
2. The unit will reply “**Yes**” and will wait for your next command.
3. Say “**Play Sleep Sound**” and the unit will reply “**To Choose a Sleep Sound, Say Ocean, Rain, Brook or Radio**”.
4. Say “**Ocean, Rain, Brook or Radio**”. You can also say the command “**Cancel**” during this step if you wish to cancel setting the sleep sound and the unit will reply “OK” to confirm.
5. When the sleep sound is successfully understood, the sleep sound chosen will show on the display (#27) and be played for the selected sleep time.
6. If the unit fails to understand the sleep sound given, it will reply “**Please Repeat**”. Now repeat step #4 above.

## ACTIVATE SLEEP MODE AND SETTING SLEEP TIME

1. Start by saying the trigger word “**Smart Talk**” or press the Snooze Bar (#11).
2. The unit will reply “**Yes**” and will wait for your next command.
3. Say “**Sleep Time**” and the unit will reply “**Please choose a Sleep Time, say Fifteen, Thirty, Forty-Five or 60 Minutes**”.
4. Say “**Fifteen, Thirty, Forty-Five or 60 Minutes**”. You can also say the command “**Cancel**” during this step if you wish to cancel setting the sleep time and the unit will reply “OK” to confirm.
5. When the sleep time is successfully understood, the unit will say “**Your Sleep Sound will turn off in ... Minutes**”. The number you chose in step #4 will be said.
6. The sleep time chosen will also show on the display (#24) and be played for the selected Sleep Time.

## NOTE:

- During sleep, you may press the SLEEP BUTTON (#10) to check the remaining sleep time.
- When sleep sound is playing, its volume can be adjusted from low to high (level 1-4) by pressing the > (UP) (#6) or < (DOWN) (#4) BUTTONS. The selected sleep sound volume will be displayed.
- To change the sleep sound during sleep, press the SNOOZE BAR (#11) and use “**Play Sleep Sound**” voice command to change it as usual. The remaining sleep time will not be affected.

## LISTENING TO RADIO

1. Select your desired radio band using the BAND SELECTOR (#7) for AM or FM.
2. Press the ON/OFF BUTTON (#12) to turn radio on.
3. Rotate the TUNING CONTROL (#9) to your desired radio station according to the dial scale on the unit.
4. Rotate the VOLUME CONTROL (#1) to adjust to the desired output level.
5. To turn off the radio, press the ON/OFF BUTTON (#12).

## TIPS FOR BEST RECEPTION

AM – The AM antenna is located inside the cabinet of the unit. If AM reception is weak, change the position of unit until the internal antenna picks up the strongest signal.

FM – During FM reception, always keep the FM WIRE ANTENNA (#21) fully extended for best performance. However, if FM reception is weak, try repositioning the unit near an open window until you get the best reception.

## USING THE LINE IN TO LISTEN TO EXTERNAL AUDIO PLAYER

You may playback your favorite music from your iPod or a portable digital audio player using the Line in function.

1. Connect the headphone jack of your external device to the LINE IN JACK (#18) at the rear cabinet of this unit using a stereo cord with a 3.5mm phone plug on either ends. (Note: the stereo cord is not included).

2. Press the ON/OFF BUTTON (#12) to turn on the radio. It will automatically switch to Line In mode when a suitable stereo cord is correctly connected.
3. Start playing your external audio device.
4. Slowly increase the volume control of the unit until the desired level is obtained. To avoid output sound distortion due to overloading, you may need to lower the volume output of your audio device.  
Note: the stereo music from your audio device will be converted to a monaural audio output.
5. Turn off your external audio device first when you finish listening.
6. Then unplug the stereo cord from the LINE IN JACK (#18) and normal radio reception will resume.

## DIMMER CONTROL

### MANUAL SETTING

The display HI/LO DIMMER BUTTON (#19) is located on the back of the unit. Pressing it will toggle between bright and dim backlight options for the display.

### USING SMART TALK™

1. Start by saying the trigger word “**Smart Talk**” or press the Snooze Bar (#11).
2. The unit will reply “**Yes**” and will wait for your next command.
3. Say “**Display**” and the unit will reply “**Say Display Low or Display High**”.
4. Say “**High**” or “**Low**” to set the display brightness accordingly. You can also say the command “Cancel” and the display will stay at it’s current setting.
5. If you do not say the command word correctly, the unit will prompt you to repeat or start all over again.

## RESETTING THE UNIT

After you have installed backup batteries and connected the unit to AC power source for the first time, we recommend you to press the RESET Button (#15) at the bottom of the cabinet to correctly initialize it.

In case of an erroneous display or prolonged abnormal behavior during normal use, you can also safely restore it to its factory preset conditions by pressing the RESET Button (#15). Please note that all personal settings including current time, alarm time and sleep session will be cleared. So, be sure to set up the clock again according to previous sections above.

## SPECIFICATIONS

Frequency Range: AM 530 - 1710 kHz

FM 88 - 108 MHz

AC Power Source: 120V~ 60Hz 5W

Backup Battery: 2 x 3V---type CR2032 Lithium batteries  
(Not included)

Clock Accuracy: up to +/- 60 seconds per month

## CARE AND MAINTENANCE

1. Children should be supervised when using this appliance.
2. Never wrap the ac power cord around any animal or person. Special care should be taken with long wire.
3. Clean your unit with a damp (never wet) cloth. Solvent or detergent should never be used.
4. Avoid leaving your unit in direct sunlight or in hot, humid or dusty places.
5. Keep your unit away from heating appliances and sources of electrical noise such as fluorescent lamps or motors.
6. Always keep the microphone area clean and free from foreign matters for best voice recognition accuracy.

## TROUBLESHOOTING GUIDE

Symptom	Possible Cause	Solution
The clock does not recognize your voice commands correctly	<ul style="list-style-type: none"> <li>- Surrounding is too noisy.</li> <li>- The radio is playing.</li> </ul>	<ul style="list-style-type: none"> <li>- Change to a quieter place or speak closer to the unit's mic at louder voice.</li> <li>- Voice recognition is not designed to work in radio mode, you need to use manual settings instead.</li> </ul>
Smart Talk™ accidentally triggers without saying the trigger word	<ul style="list-style-type: none"> <li>- The unit is located in a noisy room or near a radio or TV.</li> </ul>	<ul style="list-style-type: none"> <li>- Set the Trigger Switch (#3) to the OFF position to temporarily disables the Smart Talk feature.</li> <li>- Say "<b>Cancel</b>" if you hear the unit saying "<b>Yes</b>" on its own.</li> </ul>
Clock does not always recognize " <b>Alarm Off</b> " command during alarm and snooze	<ul style="list-style-type: none"> <li>- The surrounding is relatively noisy.</li> <li>- Your voice level is too low.</li> </ul>	<ul style="list-style-type: none"> <li>- Repeat the command clearly at louder voice while facing the unit.</li> </ul>
Noise or distorted sound on AM or FM broadcast	<ul style="list-style-type: none"> <li>- Station not tuned properly for AM or FM.</li> <li>- FM: FM wire antenna is not extended.</li> <li>- AM: The unit is not placed in best reception point.</li> </ul>	<ul style="list-style-type: none"> <li>- Retune the AM or FM broadcast station.</li> <li>- FM: Fully extend FM wire antenna.</li> <li>- AM: Reposition the unit until the best reception is obtained.</li> </ul>
AM or FM no sound	<ul style="list-style-type: none"> <li>- Unit not in "RADIO" function mode.</li> <li>- Volume set at minimum</li> <li>- An external non playing digital audio player is connected to the line in jack</li> </ul>	<ul style="list-style-type: none"> <li>- Press On/Off Button until radio is on.</li> <li>- Increase Volume.</li> <li>- Unplug the line in cord</li> </ul>
Sound appears distorted at high volume setting	<ul style="list-style-type: none"> <li>- Volume control of this unit is set to maximum.</li> </ul>	<ul style="list-style-type: none"> <li>- Adjust Volume Control to a lower comfortable level.</li> </ul>
LCD brightness is too dim	<ul style="list-style-type: none"> <li>- Display brightness set to dim mode</li> </ul>	<ul style="list-style-type: none"> <li>- Set display brightness to HI manually or by Smart Talk™ command.</li> </ul>

## 90 DAY LIMITED WARRANTY AND SERVICE VALID IN THE U.S.A ONLY

SPECTRA MERCHANDISING INTERNATIONAL, INC. warrants this unit to be free from defective materials or factory workmanship for a period of 90 days from the date of original customer purchase and provided the product is utilized within the U.S.A. This warranty is not assignable or transferable. Our obligation under this warranty is the repair or replacement of the defective unit or any part thereof, except batteries, when it is returned to the SPECTRA Service Department, accompanied by proof of the date of original consumer purchase, such as a duplicated copy of a sales receipt. You must pay all shipping charges required to ship the product to SPECTRA for warranty service. If the product is repaired or replaced under warranty, the return charges will be at SPECTRA's expense. There are no other express warranties other than those stated herein.

This warranty is valid only in accordance with the conditions set forth below:

1. The warranty applies to the SPECTRA product only while:
  - a. It remains in the possession of the original purchaser and proof of purchase is demonstrated.
  - b. It has not been subjected to accident, misuse, abuse, improper service, usage outside the descriptions and warnings covered within the owner's manual or non-SPECTRA approved modifications.
  - c. Claims are made within the warranty period.
2. This warranty does not cover damage or equipment failure caused by electrical wiring not in compliance with electrical codes or SPECTRA owner's manual specifications, or failure to provide reasonable care and necessary maintenance as outlined in the owner's manual.
3. Warranty of all SPECTRA products applies to residential use only and is void when products are used in a nonresidential environment or installed outside the United States.

This warranty gives you specific legal rights, and you may also have other rights which vary from state to state. TO OBTAIN SERVICE, please remove all batteries (if any) and pack the unit carefully and send it prepaid by insured parcel post or UPS to SPECTRA at the address shown below. IF THE UNIT IS RETURNED WITHIN THE WARRANTY PERIOD shown above, please include a proof of purchase (dated cash register receipt) so that we may establish your eligibility for warranty service and repair of the unit without cost. Also include a note with a description explaining how the unit is defective. A customer service representative may need to contact you regarding the status of your repair, so include your name, address, phone number and e-mail address to speed the process.



IF THE UNIT IS OUTSIDE THE WARRANTY PERIOD, please include a check for \$15.00 to cover the cost of repair, handling and return postage. All out of warranty returns must be sent prepaid. It is recommended that you contact SPECTRA first at 1-800-777-5331 or by e-mail at [info@spectraintl.com](mailto:info@spectraintl.com) for updated information on the unit requiring service. In some cases the model you have may be discontinued and SPECTRA reserves the right to offer alternative options for repair or replacement.

SPECTRA MERCHANDISING INTERNATIONAL, INC.  
4230 North Normandy Avenue,  
Chicago, IL60634, USA.  
1-800-777-5331

To register your product, visit the link below on the website to enter your information.

<http://www.spectraintl.com/wform.htm>

Printed in China

## Free Manuals Download Website

<http://myh66.com>

<http://usermanuals.us>

<http://www.somanuals.com>

<http://www.4manuals.cc>

<http://www.manual-lib.com>

<http://www.404manual.com>

<http://www.luxmanual.com>

<http://aubethermostatmanual.com>

Golf course search by state

<http://golfingnear.com>

Email search by domain

<http://emailbydomain.com>

Auto manuals search

<http://auto.somanuals.com>

TV manuals search

<http://tv.somanuals.com>