

JENSEN[®]
audio

JCR-332
AM/FM Stereo CD Dual Alarm Clock Radio



INSTRUCTION MANUAL



**PLEASE READ THIS OPERATING MANUAL COMPLETELY
BEFORE OPERATING THIS UNIT AND RETAIN THIS
BOOKLET FOR FUTURE REFERENCE.**

WARNING

TO PREVENT FIRE OR SHOCK HAZARD, DO NOT USE THIS PLUG WITH AN EXTENSION CORD, RECEPTACLE OR OTHER OUTLET UNLESS THE BLADES CAN BE FULLY INSERTED TO PREVENT BLADE EXPOSURE. TO PREVENT FIRE OR SHOCK HAZARD, DO NOT EXPOSE THIS APPLIANCE TO RAIN OR MOISTURE.

 <p>The lightning flash with arrowhead symbol, within an equilateral triangle is intended to alert the user to the presence of uninsulated dangerous voltage within the products enclosure that may be of sufficient magnitude to constitute a risk of electric shock to persons.</p>	<p>CAUTION RISK OF ELECTRIC SHOCK DO NOT OPEN</p> <p>WARNING: TO REDUCE THE RISK OF ELECTRIC SHOCK DO NOT REMOVE COVER (OR BACK), NO USER SERVICEABLE PARTS INSIDE REFER SERVICING TO QUALIFIED SERVICE PERSONNEL.</p>	 <p>The exclamation point within an equilateral triangle is intended to alert the user to the presence of important operating and maintenance (servicing) instructions in the literature accompanying the appliance.</p>
--	---	---

The Caution Marking is located at the bottom enclosure of the apparatus.

IMPORTANT SAFETY INSTRUCTIONS

1. Read these instructions.
2. Keep these instructions.
3. Heed all warnings.
4. Follow all instructions.
5. Do not use this apparatus near water.
6. Cleaning-Unplug this product from the wall outlet before cleaning. Do not use liquid cleaners or aerosol cleaners. Clean only with dry cloth.
7. Do not block any ventilation openings. Install in accordance with the manufacturer's instructions.
8. Do not place this product on an unstable cart, stand, tripod, bracket, or table. The product may fall, causing serious injury to a child or adult, and serious damage to the product. Use only with a cart, stand, tripod, bracket, or table recommended by the manufacturer, or sold with the product. Any mounting of the product should follow the manufacturer's instructions, and should use a mounting accessory recommended by the manufacturer. A product and cart combination should be moved with care-quick stops, excessive force and uneven surfaces may cause the product and cart combination to overturn.
9. Do not install near any heat sources such as radiators, heat registers, stoves, or other apparatus (including amplifiers) that product heat.
10. Do not defeat the safety purpose of the polarized or grounding-type plug. A polarized plug has two blades with one wider than the other. A grounding type plug has two blades and a third grounding prong. The wide blade or the third prong is provided for your safety. If the provided plug does not fit into your outlet, consult an electrician for replacement of the obsolete outlet.
11. Protect the power cord from being walked on or pinched particularly at plugs, convenience receptacles, and the point where they exit from the apparatus.
12. Only use attachments/accessories specified by the manufacturer.
13. Unplug this apparatus during lightening storms or when unused for a long periods of time.
14. Refer all servicing to qualified service personnel. Servicing is required when the apparatus has been damaged in any way, such as power-supply cord or plug is damaged, liquid has been spilled or objects have fallen into the apparatus, the apparatus has been exposed to rain or moisture, does not operate normally, or has been dropped.
15. This appliance shall not be exposed to dripping or splashing water and that no object filled with liquids such as vases shall be placed on the apparatus.
16. Do not overload wall outlet. Use only power source as indicated.
17. Use replacement part as specified by the manufacturer.
18. The product may be mounted to a wall only if recommended by the manufacturer.
19. Upon completion of any service or repairs to this product, ask the service technician to perform safety checks.



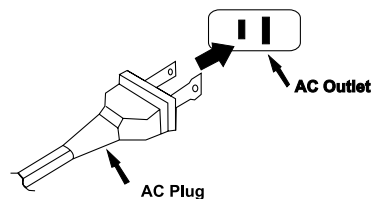
20. Power Sources - This product should be operated only from the type of power source indicated on the marking label. If you are not sure of the type of power supply to your home, consult your product dealer or local power company. For products intended to operate from battery power, or other sources, refer to the operating instruction.

21. Object and Liquid Entry - Never push objects of any kind into this product through openings as they may touch dangerous voltage points or short-out parts that could result in a fire or electric shock. Never spill liquid of any kind on the product.

22. Damage Requiring Service - Unplug this product from the wall outlet and refer servicing to qualified service personnel under the following conditions:

- When the power-supply cord or plug is damaged,
- If liquid has been spilled, or objects have fallen into the product,
- If the product has been exposed to rain or water,
- If the product does not operate normally by following the operating instructions. Adjust only those controls that are covered by the operating instructions as an improper adjustment of other controls may result in damage and will often require extensive work by a qualified technician to restore the product to its normal operation.
- If the product has been dropped or damaged in any way, and
- When the product exhibits a distinct change in performance - this indicates a need for service.

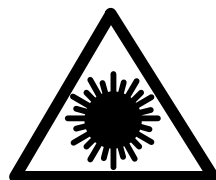
CAUTION:
TO PREVENT ELECTRIC SHOCK, MATCH
WIDE BLADE OF PLUG TO WIDE SLOT.
FULLY INSERT.



CLASS 1 LASER PRODUCT

CLASS 1 LASER PRODUCT
 APPAREIL LASER DE CLASSE 1
 PRODUCTO LASER DE CLASE 1

CAUTION
 INVISIBLE LASER RADIATION
 WHEN OPEN AND INTERLOCKS
 DEFEATED.
 AVOID EXPOSURE TO BEAM



This product contains a low power laser device

Follow the advice below for safe operations.

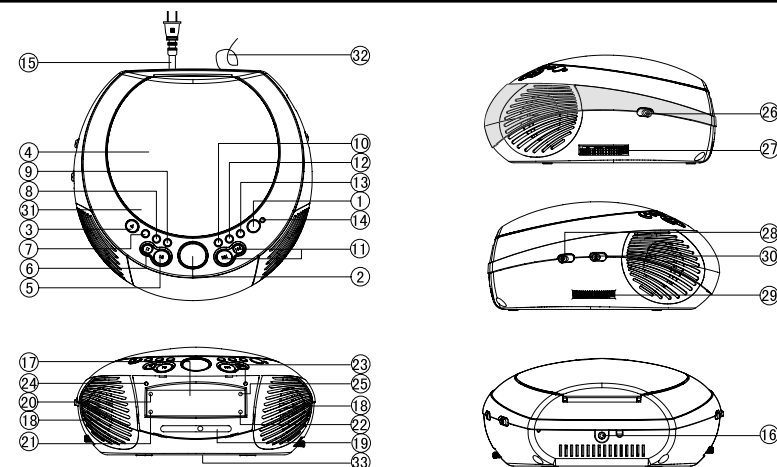
ON PROTECTION AGAINST LASER ENERGY EXPOSURE

- As the laser beam used in this compact disc player is harmful to the eyes, do not attempt to disassemble the casing.
- Stop operation immediately if any liquid or solid object should fall into the cabinet.
- Do not touch the lens or poke at it. If you do, you may damage the lens and the player may not operate properly.
- Do not put anything in the safety slot. If you do, the laser diode will be ON when the CD door is still open.
- If the unit is not to be used for a long period of time, make sure that all power sources are disconnected from the unit. Remove all batteries from the battery compartment.
- This unit employs a laser. The use of controls or adjustment or performance of procedures other than those specified here may result in exposure to hazardous radiation.

Should any trouble occur, remove the power source and refer servicing to qualified personnel.

2

LOCATION OF CONTROLS



- ON/OFF BUTTON
- SNOOZE BUTTON
- CD DOOR OPEN BUTTON
- CD COMPARTMENT
- PLAY /PAUSE ►||BUTTON
- STOP ■/CLOCK BUTTON: to stop playing the disc/ set clock.
- PLAY MODE BUTTON: to select repeat or random play mode.
- PROGRAM BUTTON
- AL 1 (ALARM 1) BUTTON
- AL 2 (ALARM 2) BUTTON
- SKIP/FAST SEARCH (◀◀ BACKWARD/FORWARD ▶▶) – HOUR/MINUTE:
 - CD track skip and fast search within the track
 - All clock functions minute and hour setting
- SLEEP BUTTON
- DISPLAY BUTTON
- POWER LED INDICATOR
- AC POWER CORD
- AUX LINE-IN JACK
- LED DISPLAY
- SPEAKER
- DIAL SCALE & POINTER
- PM INDICATOR
- AL 1(ALARM 1) INDICATOR
- AL 2(ALARM 2) INDICATOR
- RAMDOM INDICATOR
- REPEAT INDICATOR
- PROG. (PROGRAM) INDICATOR
- BAND SELECTOR - AM/FM
- TUNING KNOB: to select your radio station.
- FM MODE SELECTOR (ST/MONO)
- VOLUME KNOB
- FUNCTION SELECTOR (CD-RADIO-BUZZER)
- CD DOOR CLOSE AREA
- FM ANTENNA
- BACK-UP BATTERY COMPARTMENT

3

POWER SUPPLY

This CD clock radio operates on 120V ~ 60Hz household current. This unit also features a 9V DC battery back-up system for the clock settings (9V (006P) battery not included).

1. Insert the AC power cord (15) into a convenient standard AC wall outlet.
2. Follow the directions in the following section (Battery Back-up System) for steps on installing the battery for the clock back-up.

BATTERY BACK-UP SYSTEM

The Battery Back-Up System ensures the clock and alarm settings will be retained during AC power interruption.

NOTE: In order to preserve the battery life the display will not light during power disruption. All clock settings will be kept in memory, however, the clock time may require adjustment for exact accuracy. If no back-up battery is installed, the display will blink "12:00" to indicate that you have to reset the time and alarm settings.

BACKUP BATTERY INSTALLATION

1. Open the Battery Compartment Door and following the polarity diagram shown in the Battery Compartment, connect one 9V DC battery (not included) onto the battery clip inside the compartment. The battery only fits one way onto the connector, so ensure the correct polarity prior to attaching.
2. Replace the Battery Compartment Door.
IMPORTANT: Be sure that the battery is installed correctly. Wrong polarity may damage the unit.
3. For best performance and longer operating time, we recommend the use of an alkaline-type battery.
4. If the unit is not to be used for an extended period of time, remove the battery. Old or leaking battery can cause damage to the unit and will also void the warranty.
5. Do not dispose of battery in fire. Battery may leak or explode.

NOTE: An alkaline type battery is highly recommended for optimum performance and should be replaced every 6 months for maximum back-up protection in the case of a power failure.

SETTING THE TIME

This clock displays the time in two formats, 12 hour (12H) or 24 hour (24H) and by default is set to 12H format.

1. Connect the AC plug into the convenient standard AC outlet, the LED Display blinks.
2. Press MIN ◀◀ or HOUR ▶▶ Buttons (11) to adjust the hours and minutes respectively.
3. Press STOP ■ / CLOCK Button (6) again to set the clock time and the LED Display will stop blinking.

NOTE

There is a PM Indicator located in the top left-hand corner of the clock display. Be sure to observe the PM Indicator when setting the time to make sure the time is set correctly for AM or PM. If the PM Indicator is 'On', the time displayed is "PM". If the PM Indicator is 'Off', the time displayed is "AM".

4. Press and hold the STOP ■ / CLOCK Button (6) for 2 seconds to change the clock format to "24H" if preferred. The LED Display will show "24H" for one second, then the clock time will be shown in 24 hour format.

LISTENING TO THE RADIO

1. Set the FUNCTION Selector (30) to the RADIO position.
2. Set the BAND Selector (26) to either AM or FM. If the FM band is selected, you are able to choose either Mono or Stereo with the FM Mode Selector (28).
3. Press the ON / OFF Button (1) to turn on the radio and the POWER LED Indicator (14) will turn on.
4. Adjust the Volume (29) to the desired level.
5. Select your desired radio station using the TUNING Knob (27).
6. Reception: For FM, fully extend the antenna wire (32) and position the wire for best reception. To receive a weak or noisy FM station, set the FM MODE Selector (28) to the MONO position. The reception then may improve, but the sound is now monaural (MONO). For AM, rotate the unit for best reception.
7. To turn the radio off, press the ON / OFF Button (1) and the POWER LED Indicator (14) will go off.

LISTENING TO THE CD PLAYER

1. Press the OPEN Button (3) to open the CD door. Insert your CD (label up) into the compartment (4).
2. Switch the FUNCTION Selector (30) to the CD position.
3. Press the ON / OFF Button (1) once, the POWER LED Indicator (14) will turn on. The Display (17) will briefly show the total number of tracks on the disc and return to the clock time after few seconds.
4. To view which track is playing, press the DISPLAY Button (13) once. The Display will briefly show the track no. of the current track and then return to clock time.
5. Press ▶▶ (5) to start playback from the first track. The Display (17) will show '1' then return to the clock time.
NOTE : The ▶▶ Button is also used to pause playing of a track. Press once to pause, press once again to continue to play.
6. Rotate the Volume (29) to adjust to desired level.
7. Press STOP ■ / CLOCK (6) to stop playback of the disc.

Important : After you finish using the CD player, make sure you turn off the power by pressing the ON / OFF Button (1). The POWER LED Indicator (14) will go off.

NOTE : CD-Rs or CD-RWs playback capability in this player may vary depending on quality of media, CD-Burner, speed of burning and application software.

OTHER CD PLAYER FUNCTIONS

SKIP / FAST SEARCH (◀◀ / ▶▶) (11): Press ▶▶ to skip forward to the next track or repeatedly to skip tracks. Press ◀◀ to return to the beginning of the track, or press repeatedly to skip backward several tracks. Press and hold ◀◀ or ▶▶ to search quickly within a track.

- PLAY MODE(7): - Press once to go into repeat one mode, your selected track will play repeatedly. REPEAT Indicator (24) blinks.
- Press twice to go into repeat all mode, the disc plays continuously. The REPEAT Indicator (24) lights.
 - Press three times to go into random play mode, press ▶▶ once to start random play. The disc will play randomly. The REPEAT Indicator (24) will go off and the RANDOM Indicator (23) will light.
 - Press again to switch off this function, RANDOM Indicator (23) goes off.

PROGRAM (8): To set your own musical program.

1. Insert the disc. The total number of tracks is displayed in the LED Display (17).
2. Press Button (8) once, the display shows 'P 01' for 2 seconds, and then "00" blinks along with the PROGRAM Indicator (25). Make sure your player is in STOP mode.
3. Select your desired track with ◀◀ or ▶▶ (11), then press button (8) to store your program in memory. Repeat this operation as many times as necessary. Up to 20 tracks can be stored in the memory.
4. Press ▶▶ (5) to start playing.
5. Press ■ (6) to stop the disc.
6. To cancel this function, open the CD door.

LISTENNING TO THE EXTERNAL DEVICE (AUX)

THIS UNIT FEATURES AN AUX LINE-IN JACK FOR CONNECTING YOUR i-Pod, MP3 PLAYER OR OTHER DIGITAL MUSIC PLAYER.

1. Connect the headphone jack of your external device to the AUX LINE-IN jack (16) located on the back of the JCR-332 (cable not included).
2. Turn on the JCR-332 and it will enter the AUX function mode once an external device is plugged into the AUX LINE-IN jack.
3. Start playing your i-Pod, MP3 player or other external audio device.
4. Slowly adjust both volume controls on the JCR-332 and the external device.
5. Turn off your i-Pod, MP3 player etc. when finish listening. Turn the JCR-332 off and unplug the AUX LINE-IN jack.

Remark: Once an AUX LINE-IN jack is plugged during POWER ON mode, it will automatically enter the AUX mode no matter what position the FUNCTION Selector (30) is in. Remember to disconnect the cable from the JCR-332 after use in order to be able to listen to the radio or CD player again.

OPERATING THE ALARM AND WAKE UP MODE

The JCR-332 allows you to set two different wake up times which you can choose to use independently, as ALARM 1 or as ALARM 2 or simultaneously together.

1st Alarm (AL 1)

1. Press the AL 1 Button (9) once, the display blinks for a few seconds and the AL 1 Indicator (21) will light up.
2. When the Display blinks, press MIN and HOUR Button (11) to adjust the alarm time.
3. Press the AL 1 Button (9) again to memorize the alarm time. The Display (17) will resume to clock time.

2nd Alarm (AL 2)

1. Press the AL 2 Button (10) once, the display will blink for a few seconds and the AL 2 Indicator (22) will light up.
2. When the Display blinks, press MIN and HOUR Button (11) to adjust the alarm time.
3. Press the AL 2 Button (10) again to memorize the alarm time. The Display (17) will resume to clock time.

NOTE

There is a PM INDICATOR located in the top left-hand corner of the clock display. Be sure to observe the PM Indicator when setting the alarm to make sure the alarm time is set correctly for AM or PM. If the PM Indicator is 'On', the alarm time will be "PM". If the PM Indicator is 'off', the alarm time will be "AM".

WAKE TO ALARM BUZZER

1. Set the FUNCTION Selector (30) to the Buzzer position.
2. The Alarm Indicator (21/ 22) will blink and the buzzer will sound when the alarm time is reached. The buzzer will play for about one hour and then shut off automatically.
3. To stop the radio, press the ON/OFF Button (1). The Buzzer will stop but the alarm remains set and will turn the unit on again at the same time on the following day.
4. If you do not want the alarm to turn the unit on the following day, press the AL1 or AL2 buttons once. The AL1 or AL2 Indicator (21/22) will go off.

WAKE TO RADIO

1. Follow procedures 1 to 7 in "LISTENING TO THE RADIO" to set your radio wake up mode.
2. The alarm indicator (21 / 22) will blink and the Radio will turn on when the alarm time is reached. The Radio will play for about one hour and then shut off automatically.
3. To stop the Radio, press the ON/OFF Button (1) once. The Radio will stop, but the alarm remains set and will turn the unit on again at the same time on the following day.
4. If you do not want the alarm to turn the unit on the following day, press the AL1 or AL2 buttons once. The AL1 or AL2 Indicator (21/22) will go off.

WAKE TO CD

1. Follow the procedure 1 to 6 in "LISTENING TO THE CD PLAYER"
 2. Press the ON / OFF Button (1) to turn off the unit. The POWER Indicator (14) goes off.
 3. The Alarm Indicator (21/ 22) will blink and the CD will play when the alarm time is reached.
- Note:** The "REPEAT ALL" function will be active automatically when in Wake To CD mode, and it will play for 60 minutes continuously unless the alarm is stopped. The unit will automatically change to buzzer alarm if a damaged CD or the CD is incorrectly inserted.

Remark: If an external device is plugged into AUX LINE-IN jack during ALARM ON mode, it will change to Buzzer mode automatically no matter what position the FUNCTION Selector (30) is in.

If you want to be woken by a CD or Radio, make sure that the AUX LINE-IN jack is not plugged.

STOPPING THE ALARM

The alarm is programmed to run for 60 minutes.

1. Press the SNOOZE Button (2) to stop the alarm temporarily. The alarm will stop and sound again automatically after 6 minutes.
2. Press the ON / OFF Button (1) once, the alarm will stop, and will sound again 24 hours later.
3. To turn the alarm off permanently, press the AL1 / AL2 Button (9 / 10) repeatedly until the Alarm LED Indicators (21 / 22) go off.

SLEEP TO MUSIC

1. Select CD or Radio mode for sleep by setting the FUNCTION Selector (30) to the CD or RADIO position.
2. Press the SLEEP Button (12). The display shows "90" and the unit will go to the sleep mode.
3. Press the SLEEP Button (12) repeatedly to select the desired sleep time among 90, 60, 30 or 15 minutes.
4. The radio will automatically turn off when the sleep time has elapsed.
5. If "Sleep To CD" is selected, press the PLAY/PAUSE ▶▶ Button (5) to start playing and playback will stop after the selected time is reached.
6. If you want to turn off the unit before the preset sleep time has elapsed simply press the ON / OFF Button (1).

NOTE : If the playing time of the CD is shorter than your selected sleep time, the music will stop at the end of the disc.

MORE INFORMATION

- Do not use your set immediately after moving from a cold place to a warm place. Condensation may build up and cause functional problems in the unit.
- Make sure that you keep your set away from water and high temperatures.
- Clean the player with a soft damp (never wet) cloth. Never use solvents.

NOTES ON COMPACT DISCS

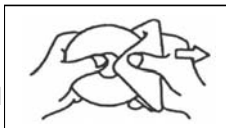
- If there is a scratch, dirt or fingerprints on the CD, it may cause skipping or tracking errors. Before playing, clean the CD with a cleaning cloth. Wipe the CD from the center out. Don't store discs in places with high temperatures or high humidity. They can become warped. After playing, store the CD in its case.

TECHNICAL SPECIFICATIONS

POWER SUPPLY : AC 120V ~ 60 Hz
 Battery back-up - 9V 006P SIZE (not included)
 RADIO : FM / Frequency Modulation - 88 / 108 MHz
 AM / Amplitude Modulation - 535 / 1705 kHz

CARE AND MAINTENANCE

1. Clean your unit with a damp (never wet) cloth. Solvent or detergent should never be used.
2. Avoid leaving your unit in direct sunlight or in hot, humid or dusty places.
3. Keep your unit away from heating appliances and sources of electrical noise such as fluorescent lamps or motors.
4. If drop-outs or interruptions occur in the music during CD play, or if the CD fails to play at all, its bottom surface may require cleaning. Before playing, wipe the disc from the center outwards with a good soft cleaning cloth.
5. Always clean the outside of the cabinet thoroughly if it becomes wet with moisture or water splashes. This will help to prevent the internal parts of the unit from entry of water and possible moisture damage.



COMPLIANCE WITH FCC REGULATIONS

This equipment has been tested and found to comply with the limits for a Class B Digital Device, pursuant to Part 15 of the FCC Rules. These limits are designed to provide reasonable protection against harmful interference in a residential installation. This equipment generates, uses and can radiate radio frequency energy and, if not installed and used in accordance with the instructions, may cause harmful interference to radio communications. However, there is no guarantee that interference will not occur in a particular installation. If this equipment does cause harmful interference to radio or television reception, which can be determined by turning the equipment off and on, the user is encouraged to try to correct the interference by one or more of the following measures:

- Reorient or relocate the receiving antenna.
- Increase the separation between the equipment and receiver.
- Connect the equipment into an outlet on a circuit different from that to which the receiver is connected.
- Consult the dealer or an experienced radio technician for help.

WARNING:

Changes or modifications to this unit not expressly approved by the party responsible for compliance could void the user's authority to operate the equipment.

TROUBLE SHOOTING GUIDE

If you experience difficulties in the use of this music system, please check the followings or call 1- 800 - 777 - 5331 for Customer Service.

Symptom	Possible Cause	Solution
Noise or sound distorted on AM or FM broadcast.	Station not tuned properly for AM or FM. FM: Wire antenna is not extended. AM: The bar antenna is not positioned correctly.	Retune the AM or FM broadcast station. Extend the FM wire antenna. Reposition the unit until the best reception is obtained.
FM STEREO Indicator does not light.	You have tuned to a mono station or the station is too weak. MONO mode is chosen.	Select another FM station. Select FM STEREO mode.
AM or FM no sound.	Unit not set to AM or FM band. Volume at minimum.	Slide the Function selector to AM or FM position. Increase Volume.
CD player will not play.	Unit not in CD function mode. CD is installed incorrectly. If the CD is self-compiled, the media used may not be compatible with the player.	Select CD function mode. Insert CD with label side up. Use better quality blank media and retest.
CD skips while playing.	Disc is dirty or scratched.	Wipe CD with clean cloth or use another disc.
CD Intermittent sound.	Dirty or defective disc. Dirty Pick Up lens. Player is subject to excessive shock or vibration.	Clean or replace the defective disc. Use a CD-lens cleaning disc to clean the lens. Relocate the player away from shock or vibration.

SERVICE

Please refer to the instructions on the enclosed warranty card for returning your unit for service. When returning the unit, please remove batteries to prevent damage to the unit in transit and/or from possible battery leakage. We are not responsible for batteries returned with the product or for the cost of replacement.

Distributed by:
 Spectra Merchandising International, Inc.
 Chicago Industry Tech Park
 4230 North Normandy Avenue
 Chicago, IL 60634, U.S.A.

Please have model number ready, for Customer Service, call 1-800-777-5331

Printed in China

Free Manuals Download Website

<http://myh66.com>

<http://usermanuals.us>

<http://www.somanuals.com>

<http://www.4manuals.cc>

<http://www.manual-lib.com>

<http://www.404manual.com>

<http://www.luxmanual.com>

<http://aubethermostatmanual.com>

Golf course search by state

<http://golfingnear.com>

Email search by domain

<http://emailbydomain.com>

Auto manuals search

<http://auto.somanuals.com>

TV manuals search

<http://tv.somanuals.com>