



☆☆☆☆☆☆☆☆ Hello Kitty® ☆☆☆☆☆☆☆☆

© 1976, 2009 SANRIO CO., LTD.

AM/FM PROJECTION CLOCK RADIO



OWNER'S MANUAL

KT2054

Caution: Electrically Operated Product – Please use care when plugging into AC outlet.

WARNING:

To reduce the risk of fire or electric shock, do not expose this appliance to rain or moisture.

CAUTION:

Use of controls or adjustments or performance of procedures other than those specified may result in hazardous radiation exposure.



CAUTION - TO REDUCE THE RISK OF ELECTRIC SHOCK, DO NOT REMOVE COVER (OR BACK). NO USER-SERVICING TO QUALIFIED SERVICE PERSONNEL.



The lightning flash with arrowhead symbol, within an equilateral triangle, is intended to alert the user to the presence of uninsulated "dangerous voltage" within the product's enclosure that may be of sufficient magnitude to constitute a risk of electric shock to persons.



The exclamation point within an equilateral triangle is intended to alert the user to the presence of important operating and maintenance (servicing) instructions in the literature accompanying the appliance.

IMPORTANT SAFETY INSTRUCTIONS

- 1) Read these Instructions.
- 2) Keep these Instructions.
- 3) Heed all Warnings.
- 4) Follow all Instructions.
- 5) Do not use this apparatus near water.
- 6) Clean only with a dry cloth.
- 7) Do not block any ventilation openings. Install in accordance with the manufacturer's instructions.
- 8) Do not install near any heat sources such as radiators, heat registers, stoves, or other apparatus (including amplifiers) that produce heat.
- 9) Do not defeat the safety purpose of the polarized or grounding-type plug. A polarized plug has two blades with one wider than the other. A grounding type plug has two blades and a third grounding prong. The wide blade or the third prong are provided for your safety. When the provided plug does not fit into your outlet, consult an electrician for replacement of the obsolete outlet.

Download from www.SomaManuals.com. All Manuals Search And Download.

- 10) Protect the power cord from being walked on or pinched particularly at plugs, convenience receptacles, and the point where they exit from the apparatus.
- 11) Only use attachments/accessories specified by the manufacturer.
- 12) Use only with a cart, stand, tripod, bracket, or table specified by the manufacturer, or sold with the apparatus. When a cart is used, use caution when moving the cart/ apparatus combination to avoid injury from tip-over.
- 13) Unplug this apparatus during lightning storms or when unused for long periods of time.
- 14) Refer all servicing to qualified service personnel. Servicing is required when the apparatus has been damaged in any way, such as power-supply cord or plug is damaged, liquid has been spilled or objects have fallen into the apparatus, the apparatus has been exposed to rain or moisture, does not operate normally, or has been dropped.
- 15) The apparatus shall not be exposed to dripping or splashing and that no objects filled with liquids, such as vases, shall be placed on apparatus.
- 16) Main plug is used as disconnect device and it should remain readily operable during intended use. In order to disconnect the apparatus from the mains completely, the mains plug should be disconnected from the mains socket outlet completely.
- 17) Battery shall not be exposed to excessive heat such as sunshine, fire or the like.
- 18) Caution marking is located at the bottom of apparatus.
- 19) The marking information is located at the bottom of apparatus.

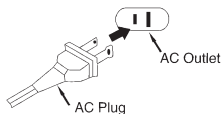
PORTABLE CART WARNING
(symbol provided by RETAC)



810-00000S-190

CAUTION:

TO PREVENT ELECTRIC SHOCK, MATCH WIDE BLADE OF PLUG TO WIDE SLOT. FULLY INSERT THE PLUG TO MAIN POWER SOCKET.



COMPLIANCE WITH FCC REGULATIONS

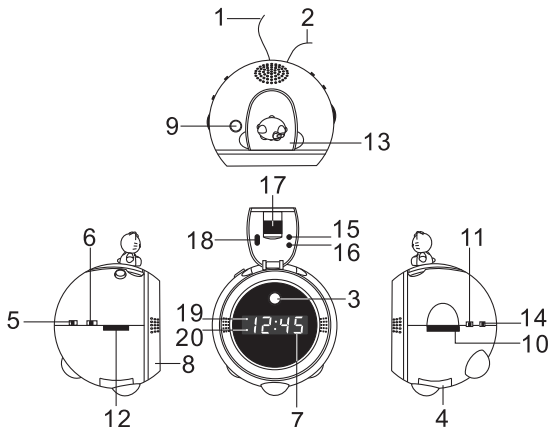
This equipment has been tested and found to comply with the limits for a Radio Receiver, pursuant to Part 15 of the FCC Rules. These limits are designed to provide reasonable protection against harmful interference in a residential installation. This equipment generates, uses and can radiate radio frequency energy and, if not installed and used in accordance with the instructions, may cause harmful interference to radio communications. However, there is no guarantee that interference will not occur in a particular installation. If this equipment does cause harmful interference to radio or television reception, which can be determined by turning the equipment off and on, the user is encouraged to try to correct the interference by one or more of the following measures:

- Reorient or relocate the receiving antenna.
- Increase the separation between the equipment and receiver.
- Connect the equipment into an outlet on a circuit different from which the receiver is connected.
- Consult the dealer or an experienced radio technician for help.

WARNING

Changes or modifications to this unit not expressly approved by the party responsible for compliance could void the user's authority to operate the equipment.

FUNCTIONS AND CONTROLS



1. AC Power Cord
2. FM Antenna Wire
3. Snooze Button
4. Battery Compartment
5. Clock Setting Switch (RUN / ALM / TIME)
6. ON / AUTO / OFF switch
7. LED Display
8. Rotary Set Dial
9. Sleep Button
10. Tuning Control Knob
11. AM/FM Band Selection Switch
12. Volume / Buzz Knob
13. Projection
14. Projection ON / OFF
15. Minute Button for Projection
16. Hour Button for Projection
17. Focus Adjustment Knob
18. Time Set Button for Projection
19. PM Indicator
20. Auto Indicator

POWER SOURCE

This product operates on 120VAC/60Hz household electrical outlet voltage. For clock memory back-up you need to install one 9V battery (not included) to the battery clip located inside the Battery Compartment (#4). The battery helps retain the time and alarm settings in memory in the event of a power outage, but will not display it on the Clock Display (#7). Normal display and functions will resume when the power is restored. We recommend checking and/or replacing the battery every one to three months. If the battery is weak, replace it immediately. For maximum performance we recommend using a good quality battery (such as Eveready type 6F22 or equivalent).

RADIO OPERATION

1. Set the ON/AUTO/OFF Switch (#6) to "ON" position.
2. Set the AM / FM Band Selection Switch (#11) to desired band.
3. Tune to the desired station with Tuning Control (#10).
4. Adjust the volume level with Volume Control (#12).
5. For best FM reception, fully extend the FM Antenna Wire. For best AM reception, try turning the unit slowly until the best station reception is obtained.
6. The radio can be switched off by setting ON/AUTO/OFF Switch (#6) to the "OFF" position.

Note: Do not connect the FM Antenna wire to any other external antenna.

SETTING THE CLOCK TIME

1. Set the Clock Setting Switch (#5) to the time set position. The 2 dots between the hour and minutes will begin flashing.
2. Rotate the Rotary Set Dial (#8) counterclockwise for adjusting the current minute or clockwise for adjusting the current hour.
3. A "PM" Indicator (#19) is located on the LED Clock Display (#7) in the upper left-hand corner. The time will be in the "AM" range when the "PM" indicator is not lit. It is important that the "AM" or "PM" setting is correct for proper operation of the alarm function.
4. Once the time is adjusted, set the Clock Setting Switch (#5) to the "RUN" position. The 2 flashing dots will stop flashing.

SETTING THE ALARM TIME

1. Set the Clock Setting Switch (#5) to the "ALM" position. The 2 dots between the hour and minutes will begin flashing.
2. Rotate the Rotary Set Dial (#8) counterclockwise or clockwise for adjusting the hour or minute for the alarm respectively.
3. Once the alarm is adjusted to the desired wake-up time, set the Clock Setting Switch (#5) to "RUN" position. The 2 flashing dots will stop flashing.
4. Note: Do not rotate the dial too quickly when you are setting the clock or alarm to insure desired time and alarm settings.

ALARM OPERATION

Set the ON/AUTO/OFF Switch (#6) to the "AUTO" position. The AUTO Indicator (#20) will light.

- WAKE TO RADIO

Set the radio Tuning Control Knob (#10) to the station you wish to listen to when the alarm time is reached. Set the Volume/Buzz Knob (#12) to a desired volume level. The radio will now turn on at the selected alarm time.

- WAKE TO BUZZER

Slide the Volume/Buzz Knob (#12) to the BUZZ position. The buzzer will now turn on at the selected alarm time.

TIME SETTING FOCUSING FOR PROJECTION CLOCK

- To set the hours, simultaneously press and hold the Hour Button (#16) and the Time Button (#18). Keep them depressed until the desired hour digits are displayed.
- To preset the minutes, simultaneously press and hold the Minute Button (#15) and the Time Button (#18). Keep them depressed until the desired minute digits are displayed.
- Focusing: Adjust the projection clock clarity by turning the Focus Adjustment Knob (#17) until the projected time is clearly shown on the ceiling or wall.

Note:

1. The LED Digital Clock and the Projection Clock must be set separately.
2. The projected time is visible on a ceiling or wall in a darkened room. The maximum projection distance is 3-9 feet.

SNOOZE FUNCTION

1. When your alarm (buzzer or radio) sounds, you can press the Snooze Button (#3) to extend the alarm time by 9 minutes. The buzzer or radio will then turn on again once the 9 minutes expires.
2. This can be repeated until the ON/AUTO/OFF Switch (#6) is moved to the "OFF" position.

SLEEP TIMER OPERATION

1. This clock radio is equipped with a "sleep timer" function that will switch off the radio automatically after a selected period anywhere from 1 minute up to 1 hour and 59 minutes.
2. Press the Sleep Button (#9), and then rotate the Rotary Set Dial (#8) clockwise to extend the operation period between 1 minute and 59 minutes or rotate it counterclockwise to set the sleep time in the range of 1 hour 59 minute).
3. After the selected sleep time has elapsed, the radio will automatically turn off.
4. To turn the unit off before the sleep time expires, press the Snooze Button (#3).

SLEEP AND WAKE TO RADIO

1. Set the desired alarm time as described in the section "SETTING THE ALARM TIME".
2. Tune the radio to your desired channel.
3. Set your desired sound volume and sleep time as described in the above section.
4. Switch the ON/AUTO/OFF Switch (#6) to "AUTO" position. The AUTO Indicator (#20) will light.
5. The radio will switch off after the sleep time has elapsed and on after the alarm time reaches.

CARE AND MAINTENANCE

1. Clean the unit with a soft, damp (never wet) cloth. Solvent or detergent should never be used.
2. Avoid operating your unit under direct sunlight or in hot, humid or dusty places to reduce the risk of fire or electric shock.
3. Keep your unit away from heating appliances and sources of electrical noise such as fluorescent lamps or motors.
4. For better Clock Display clarity, avoid operating the unit under direct sunlight or in strong room illumination.
5. Unplug the unit from the electrical power outlet immediately in case of malfunction.

SERVICE

Please refer to the instructions on this Manual for returning your unit for service. When returning the unit, please remove batteries to prevent damage to the unit in transit and/or from possible battery leakage. We are not responsible for batteries returned with the product or for the cost of replacement.

Distributed by:

Spectra Merchandising International, Inc.
Chicago Industry Tech Park
4230 North Normandy Avenue
Chicago, IL60634, U.S.A.

Please have model number ready, for Customer Service,
call 1-800-777-5331

Printed in China

**** THIS PRODUCT IS NOT A TOY.**

90 DAY LIMITED WARRANTY AND SERVICE

VALID IN THE U.S.A ONLY

SPECTRA MERCHANDISING INTERNATIONAL, INC. warrants this unit to be free from defective materials or factory workmanship for a period of 90 days from the date of original customer purchase and provided the product is utilized within the U.S.A. This warranty is not assignable or transferable. Our obligation under this warranty is the repair or replacement of the defective unit or any part thereof, except batteries, when it is returned to the SPECTRA Service Department, accompanied by proof of the date of original consumer purchase, such as a duplicated copy of a sales receipt.

You must pay all shipping charges required to ship the product to SPECTRA for warranty service. If the product is repaired or replaced under warranty, the return charges will be at SPECTRA's expense. There are no other express warranties other than those stated herein.

This warranty is valid only in accordance with the conditions set forth below:

1. The warranty applies to the SPECTRA product only while:
 - a. It remains in the possession of the original purchaser and proof of purchase is demonstrated
 - b. It has not been subjected to accident, misuse, abuse, improper service, usage outside the descriptions and warnings covered within the owner's manual or non-SPECTRA approved modifications
 - c. Claims are made within the warranty period
2. This warranty does not cover damage or equipment failure caused by electrical wiring not in compliance with electrical codes or SPECTRA owner's manual specifications, or failure to provide reasonable care and necessary maintenance as outlined in the owner's manual.
3. Warranty of all SPECTRA products applies to residential use only and is void when products are used in a nonresidential environment or installed outside the United States.

This warranty gives you specific legal rights, and you may also have other rights which vary from state to state. TO OBTAIN SERVICE please remove all batteries (if any) and pack the unit carefully and send it prepaid by insured parcel post or UPS to SPECTRA at the address shown below. IF THE UNIT IS RETURNED WITHIN THE WARRANTY PERIOD shown above, please include a proof of purchase (dated cash register receipt) so that we may establish your eligibility for warranty service and repair of the unit without cost. Also include a note with a description explaining how the unit is defective. A customer service representative may need to contact you regarding the status of your repair, so include your name, address, phone number and e-mail address to speed the process.

IF THE UNIT IS OUTSIDE THE WARRANTY PERIOD, please include a check for \$ 15.00 to cover the cost of repair, handling and return postage. All out of warranty returns must be sent prepaid.

Download from www.Somanuals.com. All Manuals Search And Download.

It is recommended that you contact SPECTRA first at 1-800-777-5331 or by e-mail at info@spectrainl.com for updated information on the unit requiring service. In some cases the model you have may be discontinued and SPECTRA reserves the right to offer alternative options for repair or replacement.

SPECTRA MERCHANDISING INTERNATIONAL, INC.
4230 North Normandy Avenue,
Chicago, IL60634, USA.
1-800-777-5331

To register your product, visit the link below on the website to enter your information.
<http://www.spectrainl.com/wform.htm>

Free Manuals Download Website

<http://myh66.com>

<http://usermanuals.us>

<http://www.somanuals.com>

<http://www.4manuals.cc>

<http://www.manual-lib.com>

<http://www.404manual.com>

<http://www.luxmanual.com>

<http://aubethermostatmanual.com>

Golf course search by state

<http://golfingnear.com>

Email search by domain

<http://emailbydomain.com>

Auto manuals search

<http://auto.somanuals.com>

TV manuals search

<http://tv.somanuals.com>