



# HEAVY DUTY

## JHD1000 Owner's Manual



### Thank You!

Thank you for choosing a Jensen product. We hope you will find the instructions in this owner's manual clear and easy to follow. If you take a few minutes to look through it, you'll learn how to use all the features of your new Jensen receiver for maximum enjoyment.

System Features.....	1
Installation.....	1
Configuration.....	2
Wiring.....	3
Basic Operation.....	4
Radio Operation.....	5
Weather Band Operation.....	5
Troubleshooting.....	6
Specifications.....	6

### System Features

Features of the Jensen JHD1000 mobile audio system include:

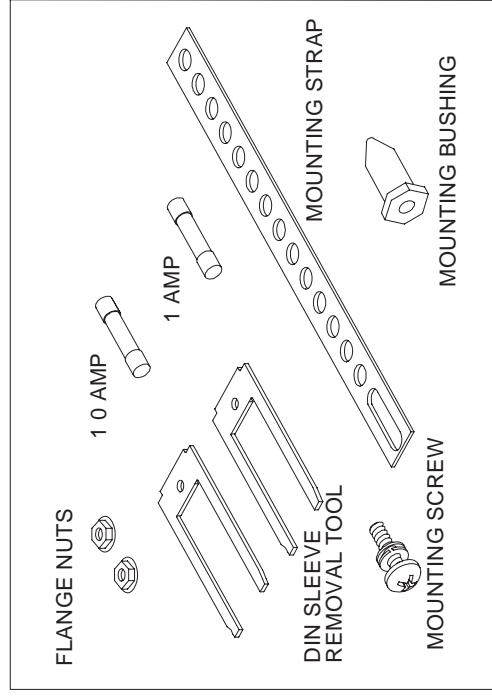
- AM/FM Tuner with 18 Presets (6 AM, 12 FM)
- Weatherband Tuner
- Programmable World Tuner
- Alarm Clock Function
- Two or Four Speaker Setup Option
- Front Panel Auxiliary Input
- Electronic Bass, Treble, Balance and Fader Controls
- Output Power 4x30W

### Installation

#### Content List

- Jensen Main Chassis
- Hardware Kit
- Wiring Harness
- Male to male 3.5mm stereo plug patch cord
- Installation Manual

### Hardware Kit



### DIN Radio Installation

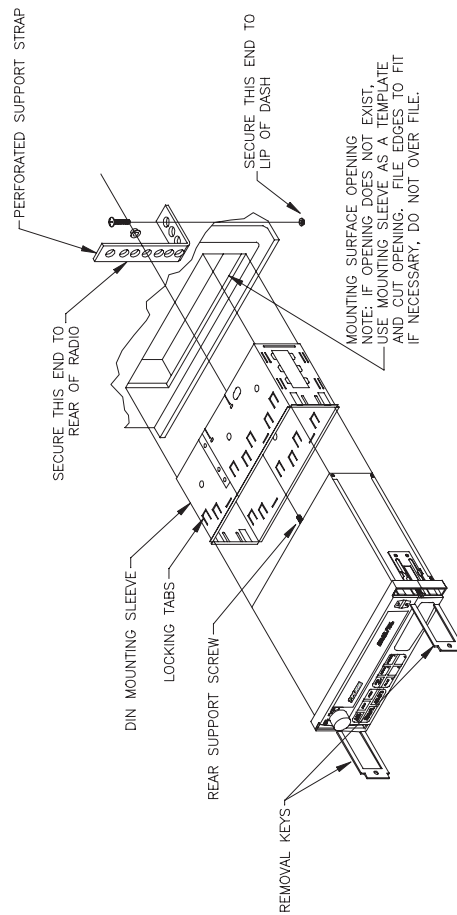
This unit is designed for installation in vehicle cabs with an existing radio opening. In many cases, a special installation kit will be required to mount the radio to the dashboard. These kits are available at electronics supply stores and car stereo specialist shops. Always check the kit application before purchasing to make sure the kit works with your vehicle.

## Installation (continued)

### Universal Installation (Using Mounting Sleeve)

- 1) Remove endcaps and slide the mounting sleeve off of the chassis. If it is locked into position, use the removal tools (supplied) to disengage it.
- 2) Check the dashboard opening size by sliding the mounting sleeve into it. If the opening is not large enough, carefully cut or file as necessary until the sleeve slides easily into the opening. Do not force the sleeve into the opening or cause it to bend or bow. Check that there will be sufficient space behind the dashboard for the radio chassis. Connect wires prior to actually installing the sleeve. Pigtail wiring should take place after hole size is confirmed. Mount sleeve after wiring.
- 3) Follow the wiring diagram carefully and make certain all connections of the wiring harness are properly secured and insulated to insure proper operation of this unit. After completing the wiring connections, turn the unit on to confirm operation (ignition switch must be "on"). If unit does not operate, recheck all wiring until the problem is corrected. Once proper operation is achieved, turn off ignition switch and proceed with final mounting of the chassis.
- 4) Locate the series of bend tabs along the top, bottom, and sides of the mounting sleeve. With the sleeve fully inserted into the dash opening, bend tabs outward so that the sleeve is firmly secured to the dashboard.
- 5) Carefully slide the radio into the mounting sleeve making sure it is right side up until it is fully seated and the spring clips lock it into place.
- 6) Attach one end of the perforated mounting strap (supplied) to the screw stud on the rear of the chassis using the flange nut provided. Fasten the other end of the perforated strap to a secure part of the dashboard, either above or below the radio using the screw and flange nut provided, bend the strap to position as necessary.

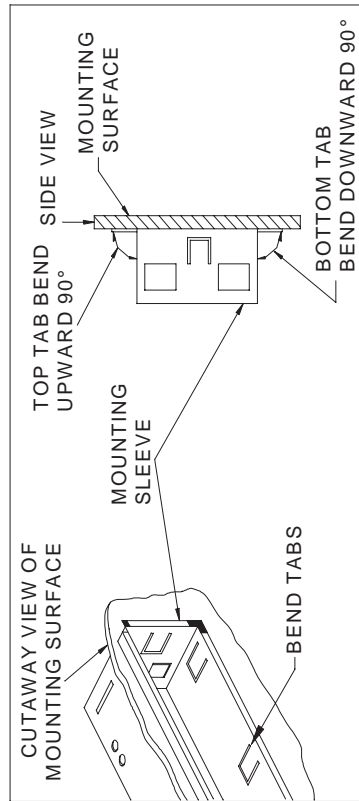
**CAUTION: The rear of the radio must be supported with the strap to prevent damage to the dashboard from the weight of the radio or improper operation due to vibration.**



### Kit Installation

1. If your radio requires the use of an installation kit to mount this radio, follow the instructions included in the kit to attach the radio to the mounting plate supplied with the kit.
2. Wire and test the radio as described.
3. Install the radio/mounting plate assembly to the sub-dash according to the instructions of the installation kit.
4. Attach the support strap to the radio and dashboard as described in step 6 on page 2.
5. Replace the dashboard trim panel.

### MOUNTING TAB DETAILS



### Configuration

The radio can be programmed to change options and factory settings. Follow the steps that follow to modify the unit as required.

### Configuration of the Clock Display (12 or 24 Hour)

Press **AUDIO ADJUST** for more than three seconds. The unit will enter the general configuration menu and display CL-24 or CL-12. To select 12 hour clock operation, press the up tuning button once or until CL-12 is displayed. If 24-hour clock operation is desired, press the up tuning button until CL-24 is displayed. To exit, press **AUDIO ADJUST** again or the configuration menu time out (takes about five seconds).

### Configuration of Auxiliary Low-Level Audio Input

Press **AUDIO ADJUST** for more than three seconds. The unit will enter the general configuration menu. To configure the radio to accept low-level audio signal, scroll through menu items until "AUX-\*\*\*" (where \*\* can equal Y or N) is displayed. Use the up tuning button to change the option to "AUX-Y". To disable this feature, use the up tuning button to change back to "AUX-N". To exit, press **AUDIO ADJUST** again or the configuration menu time out (takes about five seconds).

**Note: If this feature is disabled, the front panel jack will also be disabled.**



## Configuration (continued)

Country Code	Country	Band	Low	High	Step
11	North America	AM	530	1710	10kHz
		FM	87.9	107.9	200kHz
12	Europe	SW	5900	6200	5kHz
		AM	531	1629	9kHz
		FM	87.50	108.00	50kHz
		LW	144	288	9kHz
13	Pacific	AM	531	1629	9kHz
		FM	87.5	108.0	100kHz
14	Japan	AM	522	1629	9kHz
		FM	76.0	90.0	100kHz
15	Latin America	AM	530	1600	10kHz
		FM	88.0	108.0	100kHz
16	Brazil	AM	530	1620	10kHz
		FM	87.9	107.9	200kHz
21	Saudi Arabia	AM	531	1602	9kHz
		FM	87.5	108.0	50kHz

### Configuration of the World Band Tuner

Press **AUDIO ADJUST** for more than three seconds. The unit will enter the general configuration menu. To enter the tuner configuration menu, press preset 4, then preset 2. "CC-\*\*\*" will appear on the display (where \*\* can equal 11, 12, 14, 15, 16 or 21). Use the up tuning button to select the proper country code for the region of interest. The country codes are listed above. To exit, press **AUDIO ADJUST** again or the configuration menu time out (takes about five seconds).

### Configuration of 2 and 4 Speaker Operation

Press **AUDIO ADJUST** for more than three seconds. The unit will enter the general configuration menu. Press the up tuning button until "SP-\*\*\*" appears in the display (where \*\* can equal 2 or 4). Change this menu item according to the desired setup by using the up tuning button to modify the setting to either "SP-2" or "SP-4". To exit, press **AUDIO ADJUST** again or the configuration menu time out (takes about five seconds).

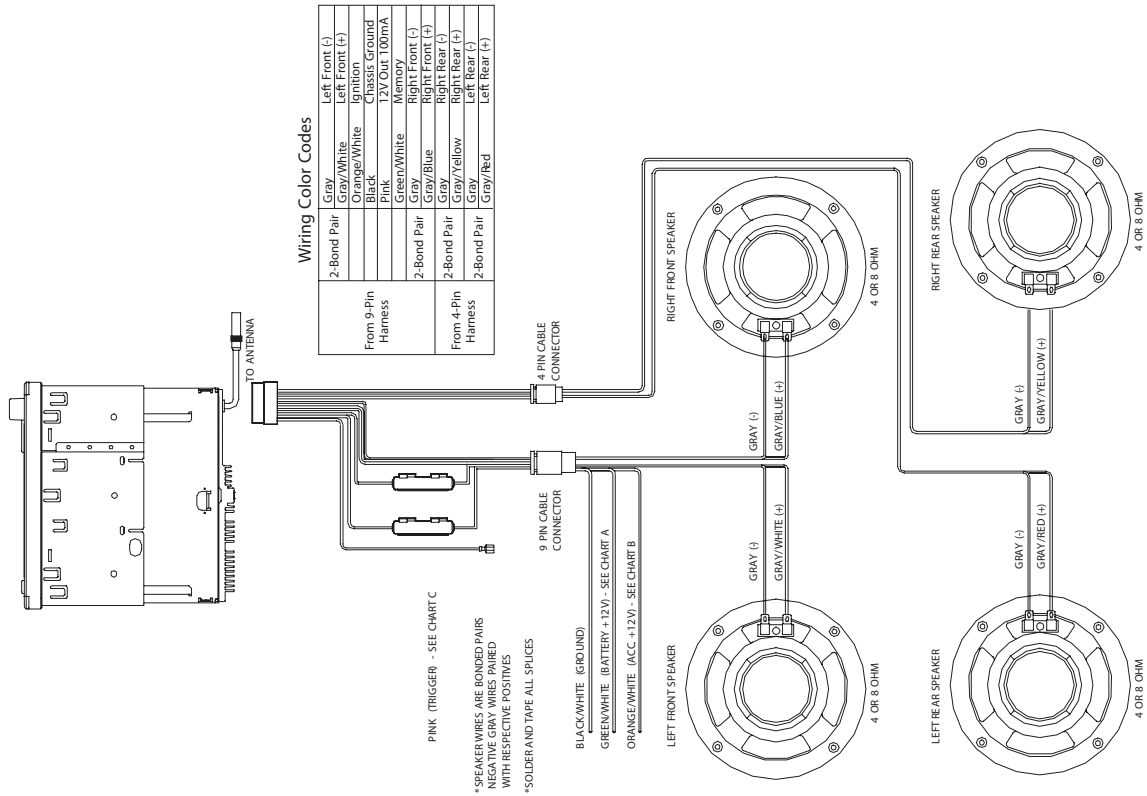
### Configuration of Tuner Seek Sensitivity Setting

The scan sensitivity feature is designed to give flexibility during the tuner seek function. The tuner can be configured such that during seek, it will stop on strong stations, ignoring weaker signals. The tuner can also be configured to stop at all weak signals.

To configure the seek sensitivity setting, press **AUDIO ADJUST** for more than three seconds. The unit will enter the general configuration menu. While in the general configuration menu, press preset 4 and then preset 2. The unit is now in the tuner configuration menu. Press the up tuning button until "SC-\*\*\*" appears in the display (where \*\* can equal 00-15). The numbers are set such that at the setting "SC-00", the unit is more sensitive to weaker signals. This means that the seek function will stop at most or all weak signals. At "SC-15", the seek function will stop only at the strong stations. Use the up tuning button to adjust the seek sensitivity of the tuner to a setting that will suit the application. To exit, press **AUDIO ADJUST** again or the configuration menu time out (takes about five seconds).

## Wiring

The wiring diagram depicts all the wiring connections required for proper operation of the unit.





## Basic Operation

### 1. Power

Press the power button (1) to turn the unit on or off.

### 2. Liquid Crystal Display

The Liquid Crystal Display (LCD) panel (2) displays the frequency, time and activated functions.

### 3. Mode

Press **MODE** (3) to select a different mode of operation as indicated on the display panel. Available modes include radio band and auxiliary input (AUX).

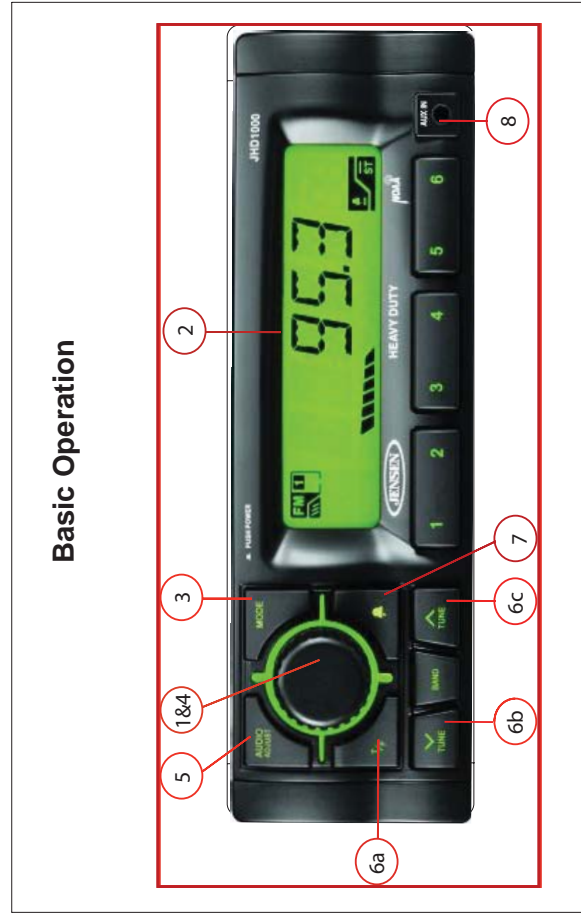
### 4. Volume

To adjust the volume, rotate the volume control knob (4) clockwise (to increase volume) or counter clockwise (to decrease volume).

### 5. Sound Adjustment

Press **AUDIO ADJUST** (5) repeatedly to step through the following sound adjustment options: Bass, Treble, Balance (left to right) and Fader (front to rear). When the desired option appears in the display, rotate the volume control knob to adjust that audio feature. When no adjustments have been made for five seconds, the unit will resume normal operation.

**Note:** *There is no fader adjustment option during 2-speaker operation.*



Basic Operation

## 6. Setting the Clock

To set the clock to display the current time, turn the vehicle ignition on and turn the radio off. Press **T/F** (6a) for more than one second, and the time will flash in the display. Press the down tuning button (6b) to adjust the hours or the up tuning button (6c) to adjust the minutes. "A" or "P" will appear on the display to indicate AM or PM. When no adjustment is made for five seconds, the time will be set and normal operation will resume.

## 7. Alarm Clock Function

### Setting the Alarm Clock

This unit has an alarm clock function that can be set to turn the unit on at a specific time. To set the alarm clock, turn the vehicle ignition on and turn the radio off. Press the alarm button (7) for longer than one second, and the time will flash in the display. Press the down tuning button (6b) to adjust the hours or the up tuning button (6c) to adjust the minutes. "A" or "P" will appear on the display to indicate AM or PM. When no adjustment is made for five seconds, the time will be set and normal operation will resume.

### Alarm Clock On/Off Selector

Press the alarm button momentarily to turn the alarm function on or off. The bell symbol will appear in the display when the alarm function is on. To check the time for which the alarm is set, press the alarm button for more than one second, and the time will flash in the display. After five seconds, the display will stop flashing and the unit will return to normal operation.

**Note:** *When the alarm feature is activated, the unit will turn on even if the ignition is off. The mode of operation (radio or auxiliary input) and volume level that were last used will be automatically recalled. The unit will automatically turn itself off after five minutes.*

## 8. Auxiliary Input Function

Insert a standard 3.5 mm (audio line output or headphone output from your portable CD / MP3 / iPod or other media player) into the "AUX-IN" jack (8) on the front of the unit. If your media player does not include an audio out cabled, use the Aux Cable included with this unit.



## Radio Operation

### 9. Select a Band

Press **BAND** (9) to change between two FM bands (FM1 and FM2), one AM band (AM) and the weather band (WTHR). When an FM stereo broadcast is being received, the ST indication will appear in the display. If operating the unit in areas outside North America, the band designation may include LW or SW, and the weather function may be disabled.

### 10. Time/Frequency Selector (T/F)

Press **T/F** (10) to select whether the clock time or radio frequency/playback functions will appear in the display. When the time is selected as the priority setting, the display will automatically return to the time display five seconds after any radio, auxiliary or audio function is displayed. When the frequency setting is selected, the display will automatically return to the time display five seconds after any radio, auxiliary or audio function is displayed.

### 11. Tuning

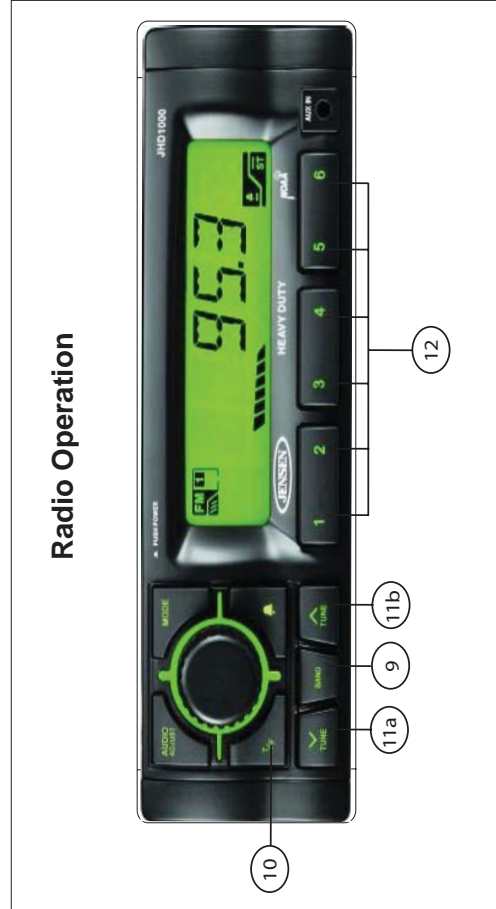
#### Manual Tuning

Press the up tuning button (11a) or down tuning button (11b) momentarily to tune the frequency one step higher or lower.

#### Automatic Seek Tuning

Press the up or down tuning button for more than one second, and the radio will seek the next available strong station. Alternately, press and continue to hold a tuning button to tune rapidly in the selected direction. When the button is released, the unit will seek the next strong station.

**Note: Seek tuning is not available for weather band channels. Use the up or down tuning buttons to manually select any of the seven available weather band channels.**



Radio Operation

### 12. Preset Stations

Six numbered preset buttons (12) store and recall stations for each band.

#### Store a Station

Select a band (if needed), then select a station. Hold a preset button for three seconds. The current station will be stored, and the corresponding preset number will appear in the display.

#### Recall a Station

Select a band (if needed). Press a preset button momentarily, and the unit will tune to the corresponding stored station.

**Note: Preset buttons will not function in weather band mode.**

## Weather Band Operation

### What is the NOAA Weather Radio/Weatheradio Canada?

This is a nationwide system that broadcasts local weather emergency information 24 hours a day. The U.S. network has more than 530 stations covering the 50 states as well as the adjacent coastal waters, Puerto Rico, the U.S. Virgin Islands and the U.S. Pacific Territories. Each local area has its own transmitting station and there are a total of seven broadcasting frequencies used. A similar system is available in Canada under the Weatheradio Canada service administered by Environment Canada.

### How many stations can I expect to receive?

Since the broadcasts are local weather and information, the transmission power is usually very low (much less than standard AM or FM stations) so you will usually receive only one station unless you are on the edge of two or more broadcast signals. The most you will receive will be two or three, and that is rare.

### Is it possible I won't receive any stations?

Depending on where you are located, there is a possibility you will receive only a very weak signal or none at all. Also, similar to AM and FM signals, weatherband signals are subject to surrounding conditions, weather, obstructions of the signal by hills or mountains, etc.

### How will I know I am tuned to Weatherband?

When you select the weather band, the indication "WTHR" will appear on the display panel, along with the current channel indication: "CH1", "CH2", "CH3", "CH4", "CH5", "CH6" or "CH7". Use the up and down tuning buttons to tune to each of the seven channels until you find the weatherband station broadcasting in your area.



### Troubleshooting

Problem	Cause	Corrective Action
No power.	Vehicle ignition switch is not on.	If the power supply is connected to the vehicle accessory circuits but the engine is not moving, switch the ignition key to "ACC".
No sound.	The fuse is blown.	Replace the fuse.
Radio does not work	Volume turned down too low.	Adjust volume until sound is heard.
	Wiring not connected properly.	Check wiring connections.
	Antenna cable not connected.	Insert antenna cable firmly.

### Specifications

<u>General</u>	
Power Supply Requirements	DC 12 Volts, Negative Ground
Chassis Dimensions	178 (W) x 178 (D) x 50 (H)
Loading Impedance	4 -8 ohms per channel
Tone Controls	Bass (at 100 Hz), ±10 dB; Treble (at 10 kHz), ±10 dB
Current Drain	7 Ampere (max.)
<u>FM Tuner</u>	
Tuning range	.87.5-108.0
FM mono sensitivity	1.5uV
Stereo separation @ 1 kHz	>25dB
<u>AM Tuner</u>	
Tuning range	.522-1710
<u>Amplifier</u>	
Total system power	120W (30W x 4)

Specifications subject to change without notice.



The Mobile Electronics Company

### AUDIOVOX SPECIALIZED APPLICATIONS, LLC

www.asaelectronics.com

© 2006 ASA Electronics Corporation  
v.040506

## Free Manuals Download Website

<http://myh66.com>

<http://usermanuals.us>

<http://www.somanuals.com>

<http://www.4manuals.cc>

<http://www.manual-lib.com>

<http://www.404manual.com>

<http://www.luxmanual.com>

<http://aubethermostatmanual.com>

Golf course search by state

<http://golfingnear.com>

Email search by domain

<http://emailbydomain.com>

Auto manuals search

<http://auto.somanuals.com>

TV manuals search

<http://tv.somanuals.com>