

# **JENSEN®**

---

## **DIGITAL AUDIO PLAYER**



**USER MANUAL  
SMP-1GBUB**

**PLEASE READ THIS USER MANUAL COMPLETELY BEFORE  
OPERATING THIS UNIT AND RETAIN THIS BOOKLET FOR  
FUTURE REFERENCE.**

## DEAR JENSEN<sup>®</sup> CUSTOMER

Selecting fine audio equipment such as the unit you've just purchased is only the start of your musical enjoyment. Now it's time to consider how you can maximize the fun and excitement your equipment offers. This manufacturer and the Electronic Industries Association's Consumer Electronics Group want you to get the most out of your equipment by playing it at a safe level. One that lets the sound come through loud and clear without annoying blaring or distortion and, most importantly, without affecting your sensitive hearing. Sound can be deceiving. Over time your hearing "comfort level" adapts to higher volumes of sound. So what sounds "normal" can actually be loud and harmful to your hearing. Guard against this by setting your equipment at a safe level BEFORE your hearing adapts.

### **To establish a safe level:**

- Start your volume control at a low setting.
- Slowly increase the sound until you can hear it comfortably and clearly and without distortion.

### **Once you have established a comfortable sound level:**

- Set the dial and leave it there.

Taking a minute to do this now will help to prevent hearing damage or loss in the future. After all, we want you listening for a lifetime.

### **We Want You Listening For a Lifetime**

Used wisely, your new sound equipment will provide a lifetime of fun and enjoyment. Since hearing damage from loud noise is often undetectable until it is too late, this manufacturer and the Electronic Industries Association's Consumer Electronics Group recommend you avoid prolonged exposure to excessive noise.



### **Customer's Record:**

The serial number of this product is found on the unit. You should note the serial number of this unit in the space provided as a permanent record of your purchase to aid in identification in the event of theft or loss.

**Model Number: SMP-1GBUB**

Serial Number: \_\_\_\_\_

## WARNING

- Do not throw the product into fire to avoid danger of explosion.
- Do not immerse into water or get soaked since the battery charging function will be lost.
- Place the product far away from heat sources, and protect the product from direct sunlight.
- Do not charge the internal rechargeable battery longer than specified to prevent danger of fire. Overcharging rechargeable batteries may shorten their life span.
- Do not unplug the unit during file transfer. It may cause malfunction to PC and the unit.
- Do not plug in the earbuds or audio cable during file transfer.
- Do not use the product where electric appliances are prohibited.
- Protect the product from violent impact and vibrations.
- No compensation responsibility for malfunctions caused by improper use.
- Downloading can be delayed if there are too many folders or files.
- Do not attempt to disassemble or alter any part of the unit that is not expressly described in this guide. Internal inspections, alternations and repairs should be conducted by qualified service personnel.
- Save the data in the memory of the product to other storage device before repair. No compensation responsibility if the data are lost during repair.

## COMPLIANCE WITH FCC REGULATIONS

This device complies with Part 15 of the FCC Rules. Operation is subject to the following two conditions:

- (1) this device may not cause harmful interference, and
- (2) this device must accept any interference received, including interference that may cause undesired operation.

NOTE: This equipment has been tested and found to comply with the limits for a Class B digital device, pursuant to Part 15 of the FCC Rules. These limits are designed to provide reasonable protection against harmful interference in a residential installation. This equipment generates, uses and can radiate radio frequency energy and, if not installed and used in accordance with the instructions, may cause harmful interference to radio communications. However, there is no guarantee that interference will not occur in a particular installation. If this equipment does cause harmful interference to radio or television reception, which can be determined by turning the equipment off and on, the user is encouraged to try to correct the interference by one or more of the following measures:

- Reorient or relocate the receiving antenna.
- Increase the separation between the equipment and receiver.
- Connect the equipment into an outlet on a circuit different from that to which the receiver is connected.
- Consult the dealer or an experienced radio/TV technician for help.

**CAUTION: Changes or modifications not expressly approved by the party responsible for compliance could void the user's authority to operate the equipment.**

## BATTERY INFORMATION

This unit operates on 1 x 1.5V AAA (UM-4) battery (rechargeable/non-rechargeable).

### Power installation

1. Remove the battery compartment cover.
2. Insert 1 pc of "AAA" (UM-4) batteries with correct direction of polarity as marked inside the compartment.
3. Replace the compartment cover.

### Warning

1. Make sure that the battery are installed correctly. Wrong polarity may damage the unit.
2. Only batteries of the same or equivalent type as recommend are to be used.
3. If the unit is not to be used for an extended period of time, remove the battery.
4. Do not dispose of batteries in fire, batteries may explode or leak.
5. Replace the battery when the unit stops operating properly.
6. Remove exhausted battery from the unit, dispose promptly and properly.

## ACCESSORIES

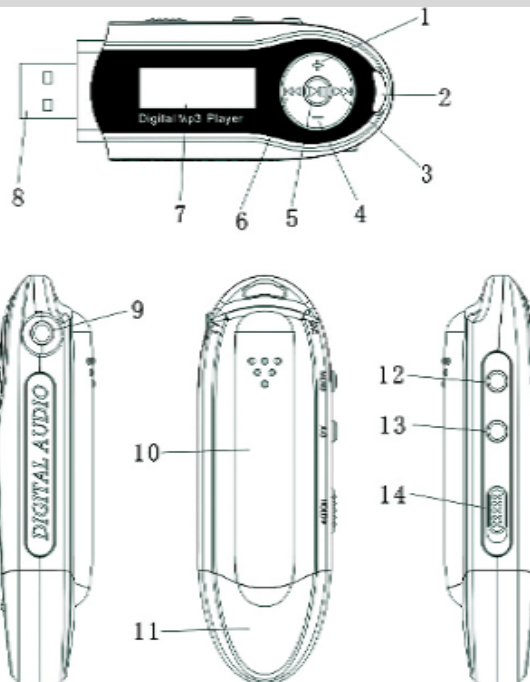
Items included in the package:

1. "AAA" (UM-4) Alkaline Battery x 1
2. Stereo Earbuds
3. User Manual
4. Warranty Card

## Location of Control

### Function Definition

1. VOL + button
2. Strap hole
3. Next (▶▶) button
4. VOL - button
5. PLAY (▶) button
6. Previous (◀◀) button
7. Display screen
8. USB port
9. Phone jack
10. Battery compartment cover
11. USB port cover
12. Menu button
13. Replay (A-B) button
14. Hold button



## Operation Guide

### 1. Power On/Off

- Slide the HOLD Switch to the Unlock position.
- Press & Hold the PLAY button to turn off when the unit is on.
- Press & Hold the PLAY button to turn on when the unit is off.

### 2. Music mode

- Plug the earbuds into the 3.5mm phone jack
- After turned on the player, press ► / ◀ buttons to select the 'MUSIC' icon.
- Press ► button to enter MUSIC mode.

#### 2.1 Music Play/Pause Mode

- While playing, tap the ► key to pause, and then press the ► key again to continue
- In the play/pause mode, tap the VOL+/VOL- key to adjust the volume.
- The file name (as seen on a PC) will be displayed on the LCD. If the total number of characters exceeds 32, the file name may be truncated.
- In the music play/pause mode, tap the ► / ◀ to skip to the next or previous song, press and hold the ► / ◀ to fast forward or fast backward.

#### 2.2 Music setting

In the music playing/pause mode, tap the Menu key to enter music setting mode.

##### 2.2.1 Repeat Setting

This allows you to repeat the song track or shuffle the play order.

- In the music setting menu, go to the Repeat mode
- Press Menu button to access
- Use ► / ◀ button to select the different Repeat mode
- The available options are: Normal, Repeat one, Repeat all, Random and Intro
- Press Menu button to confirm the selection

##### 2.2.2 Equalizer setting

In the Setting menu, go to EQ menu and press Menu button to access.

- Use the ► / ◀ buttons to select the desired equalized preset options
- Press the Menu button to confirm.
- The EQ options available are: Natural, Classic, Jazz, Rock, Pop and DBB

##### 2.2.3 Exit: Exit from the music setting mode

## 2.3 Music Stop Mode

In music stop mode, tap the Menu button to enter the submenu.

### 2.3.1 Local folder

Select the local folder and then press the ► / ◀ buttons to choose the folder and press Menu key to confirm.

**Remark: The player supports one directory.**

### 2.3.2 Exit folder

Exit the folder selected.

### 2.3.3 Delete file

In the stop mode, select the file you want to delete and then tap the Menu button to enter the submenu.

- Select Delete and press Menu button to confirm
- Press the ► / ◀ buttons to select YES or NO. If choose "YES" and press Menu key to confirm, it will delete the file selected, If choose "NO", it will exit the delete mode.

### 2.3.4 Exit: exit from the menu

## 2.4 Replay (A-B)

1. In the play mode, press the A-B button to select the starting point A.
2. Press the A-B button again to end the end point B.
3. The MP3 player will repeat the track section from point A to point B.
4. Press and hold the A-B button, and the player will return to normal playing status.

## 3. Setup

1. After the unit is switched on the unit, press and hold the Menu button to enter the main menu
2. Press the ► / ◀ buttons to select SYS icon
3. Press the Menu button to access the Setup screen

### 3.1 Language setup

- In the Setting menu, navigate to the Language menu
- Press the Menu button to confirm
- Use the ► / ◀ buttons to select the preferred language
- Press the Menu button to confirm the selection and exit to Setup menu

### 3.2 Power setup

You can set the player to power off automatically after a preset time

- In the Setting menu, navigate to Power off set menu
- Press the Menu button to access the various options
- The available durations are: 00S / 10S / 20S / 30S /40S /50S /60S.
- Use the ►► / ◀◀ buttons to select the desired timing
- Press the Menu button to confirm.

### 3.3 Backlight setting

Adjust the time duration for the backlight to stay on. In the Setup menu, go to the Backlight menu

- Press the Menu button to access
- Use the ►► / ◀◀ buttons to adjust the backlight duration.
- Press the Menu button to confirm

**Remark: The backlight color will change for every single pressing, and there are 7 types of color totally.**

### 3.4 Contrast setting

Adjust the LCD contrast for easy viewing

- In the Setting menu, go to Contrast menu
- Press the ►► / ◀◀ buttons to adjust the screen contrast
- Press Menu button to confirm

**3.5 Exit:** Exit the setup mode.

## 4. Download/ Upload File

To download music to the player, plug the player into the USB port of your computer:

4.1 A removable disk window appears automatically.

4.2 Select the track you want to download to the player by clicking on the icon.

(If you want to choose more than one song, press and hold the Ctrl or Shift button on the computer keyboard when selecting).

4.3 Right-click on the files, a menu appears, click "Copy".

4.4 Choose "Open folder to view files", then right-click on the Removable Disk window and click "Paste" in the menu.

4.5 When uploading a file from the player to PC, just follow the similar procedure (1) to (4).

4.6 Unplug the player from PC after the upload or download has finished.

## Troubleshooting

Problems	Possible Solutions
Unit does not turn on	Make sure Hold switch is not activated.
No display when turn on power	The battery may be exhausted. Please replace the battery.
No sound is heard in the earbuds	Make sure the volume is not set to zero and check the connection between the earbuds and the unit. MP3 files may be corrupted. Please download from your computer again.
Strange Characters Displayed on the Screen	Check that the correct display language was chosen.
Unable to Download Music	Make sure the USB connection to your computer is good. Make sure memory space of your player is not full.
Unusual font on the screen	Make sure the correct language is chosen.

## Specification

<b>Dimensions</b>	3.5" x 1.2" x 0.83"
<b>Weight</b>	25g (0.88 oz)
<b>Power</b>	DC 1.5V AAA (UM-4) battery x 1
<b>Connection With Computer</b>	USB 2.0
<b>Memory</b>	Flash Memory 1GB
<b>Music Format</b>	MP3 and WMA
<b>10 User Interface Languages</b>	English, Simplified Chinese, Traditional Chinese, French, German, Italian, Spanish, Portuguese, Russian and Dutch
<b>Operation Systems</b>	Windows ME / 2000 / XP/ Vista and Mac OSX 9 or above

### SERVICE

Please refer to the instructions on the enclosed warranty card for returning your unit for service. When returning the unit, please remove batteries to prevent damage to the unit in transit and/or from possible battery leakage. We are not responsible for batteries returned with the product or for the cost of replacement.

Distributed by:

Spectra Merchandising International, Inc.

Chicago Industry Tech Park

4230 North Normandy Avenue

Chicago, IL60634, U.S.A.

Please have model number ready, for Customer Service, call 1-800-777-5331



Printed in China

## Free Manuals Download Website

<http://myh66.com>

<http://usermanuals.us>

<http://www.somanuals.com>

<http://www.4manuals.cc>

<http://www.manual-lib.com>

<http://www.404manual.com>

<http://www.luxmanual.com>

<http://aubethermostatmanual.com>

Golf course search by state

<http://golfingnear.com>

Email search by domain

<http://emailbydomain.com>

Auto manuals search

<http://auto.somanuals.com>

TV manuals search

<http://tv.somanuals.com>