

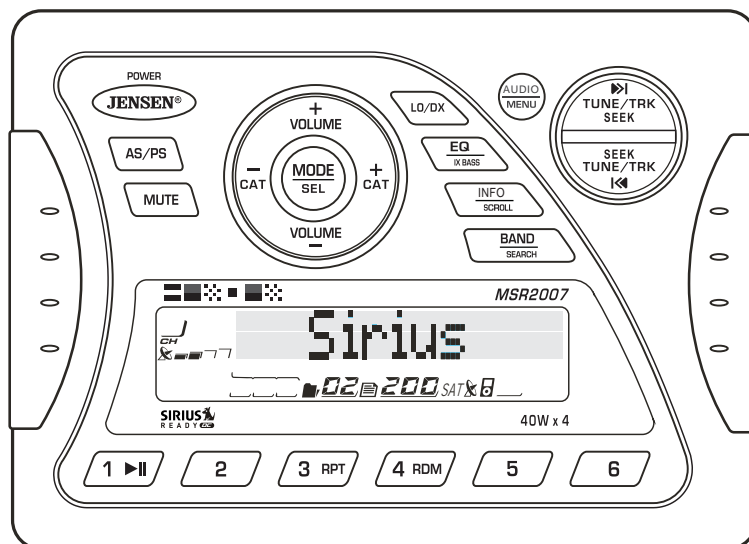


M A R I N E

MSR2007

MARINE AUDIO SYSTEM

Installation and Operation Manual Manual del Usuario/Guide d'Utilisateur



CONTENTS

Safety Information	1
Installation	2
Wiring.....	4
Basic Operation	5
Tuner Operation.....	7
Sirius Radio Operation	8
iPod Operation	9
Care and Maintenance.....	10
Troubleshooting.....	10
Specifications	10

CONTENIDO

Información de Seguridad.....	11
Instalación	12
Cableado.....	14
Operación Básica	15
Operación del Sintonizador	17
Operación de Radio Sirius.....	18
Operación del iPod	19
Cuidado y Mantenimiento	20
Solución de Problemas	20
Especificaciones	20

TABLE DES MATIÈRES

Informations sur la securite.....	21
Installation	22
Câblage.....	24
Operation de Base	25
Operation tuner	27
Operation radio Sirius	28
Operation iPod	29
Soin et entretien.....	30
Dépannage	30
Specifications	30

SAFETY INFORMATION

When Boating

Keep the volume level low enough to be aware of your surroundings.

Protect from Water

Do not submerge or expose the product directly to water, as this can cause electrical shorts, fire or other damage.

Protect from High Temperatures

Exposure to direct sunlight for an extended period of time can produce very high temperatures inside your vessel. Give the interior a chance to cool down before starting playback.

Do not mount radio within close proximity of engine compartment.

Use the Proper Power Supply

This product is designed to operate with a 12 volt DC negative ground battery system.

WARNING:

- DO NOT OPEN, DISASSEMBLE OR ALTER THE UNIT IN ANY WAY. Doing so may result in fire, electric shock or product damage.
- USE THE CORRECT AMPERE RATING WHEN REPLACING FUSE. Failure to do so may result in fire, electric shock or product damage.
- DO NOT INSTALL IN LOCATIONS THAT MIGHT HINDER VEHICLE OPERATION. Doing so may obstruct vision or hamper movement which can result in a serious accident.
- INSTALL THE WIRING SO THAT IT IS NOT CRIMPED OR PINCHED BY SCREWS OR SHARP METAL EDGES. Route the cables away from moving parts or sharp pointed edges. This will prevent crimping and damage to the wiring. If the wiring must pass through a metal hole, be sure to use a rubber grommet to prevent the wire's insulation from being cut by the metal edge of the hole. It is also recommended to apply sealing caulk to any opening that may potentially allow water to enter.
- Be sure to choose a location that is flat and has clearance above the unit to prevent any damage, as well as allow for ventilation.
- Before drilling any holes, carefully inspect the area underneath and behind the mounting surface where the devices will be mounted to make sure it will not interfere with existing wires, fuel lines, the fuel tank or any other objects that could be damaged.
- Always disconnect the vehicle negative battery terminal to prevent accidental shorting during installation.

INSTALLATION

Before You Begin

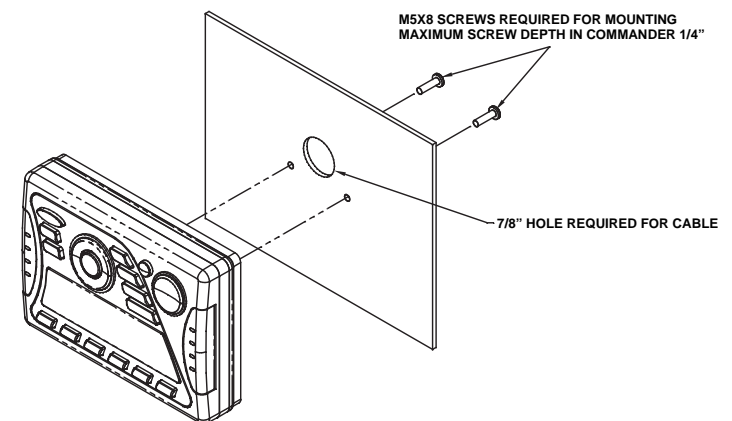
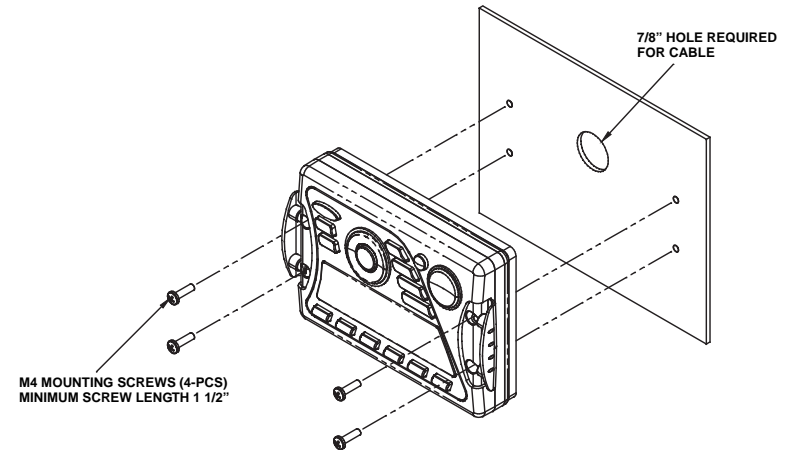
Before you begin, always disconnect the battery negative terminal.

Important Notes

- Before final installation, test the wiring connections to make sure the unit is connected properly and the system works.
- Use only the parts included with the unit to ensure proper installation. The use of unauthorized parts can cause malfunctions.
- Consult with your nearest dealer if installation requires the drilling of holes or other modifications to your vessel.
- Install the unit where it does not interfere with driving and cannot injure passengers if there is a sudden or emergency stop.
- Avoid installing the unit where it will be subject to high temperatures from direct sunlight, hot air, or from a heater, or where it would be subject to excessive dust, dirt or vibration.

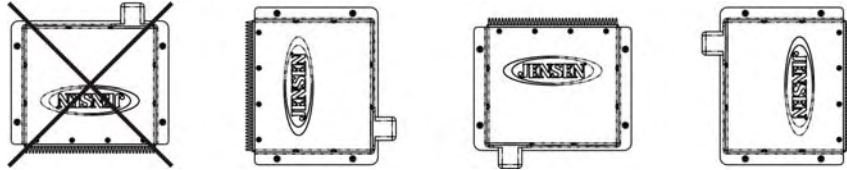
Wired Commander Mounting

1. Choose a mounting area for the wired commander that is clean and flat, allowing the rear gasket to fully seal to the mounting surface.
2. Secure the wired commander using either of the recommended mounting methods detailed in the diagrams below.



Tuner/Amplifier Mounting

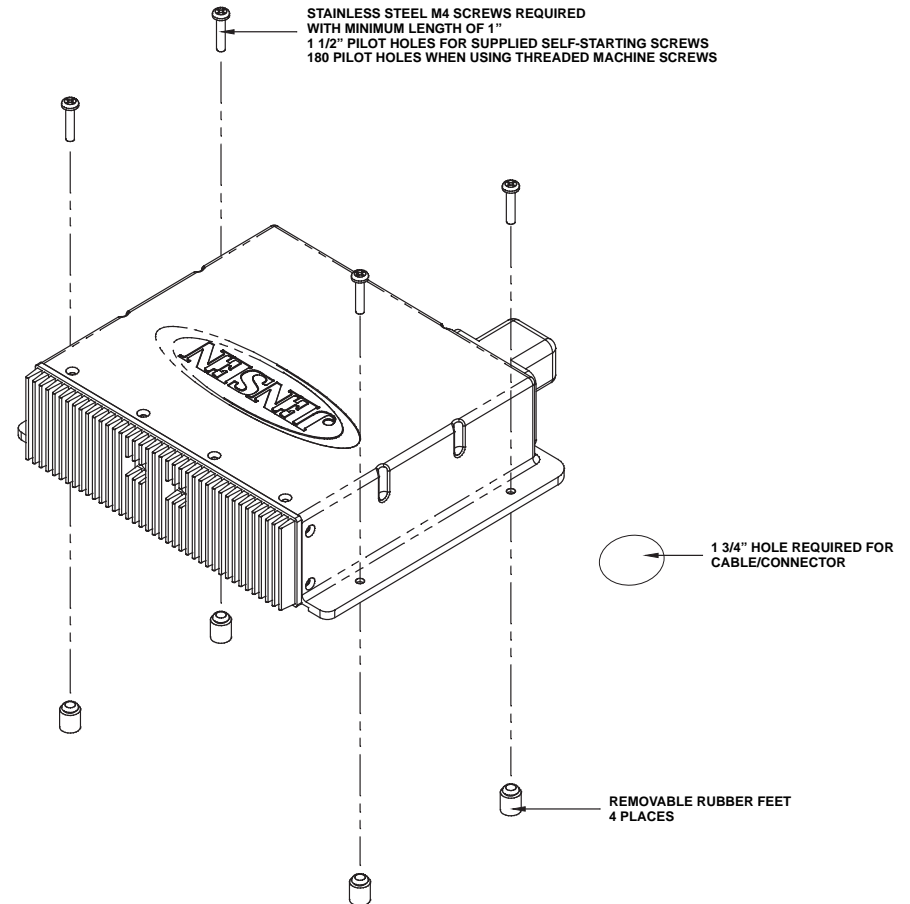
1. Choose a mounting area for the tuner/amp module that will provide plenty of ventilation to prevent the amplifier from overheating. The tuner/amp module can be mounted in the horizontal or vertical position. Please note that when mounting in vertical position, do not mount with the harness exit points facing straight up, as water can collect around the chassis in these areas.



2. Attach the 4 rubber mounting feet, provided, to the bottom of the tuner/amp metal plate. This will provide clearance from surface moisture and promote good ventilation for the heat sink.
3. Using the shortest length of the recommended size screws possible, mount the tuner/ amplifier as detailed in the diagram on the right.
4. Route the tuner/ amplifier harness and cable throughout the vessel as required. Keep some slack in the harness/ cables so it won't be too tight, as this can cause damage to the wires.
5. Follow the wiring diagram carefully and make certain all connections are secure and insulated with crimp connectors or electrical tape to ensure proper operation.
6. After completing the wiring connections, reconnect the negative terminal on the battery and turn the unit on to confirm operation (vessel accessory switch must be on). If the unit does not operate, disconnect battery, recheck all wiring and refer to the trouble-shooting guide located in the back of the manual.

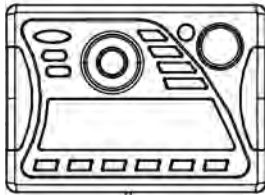
Reconnect Battery

When wiring is complete, reconnect the battery negative terminal.

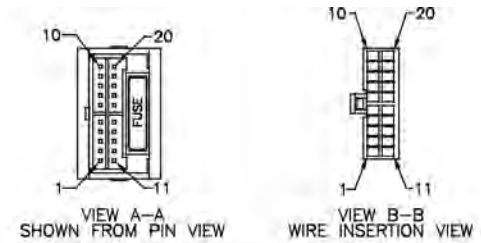
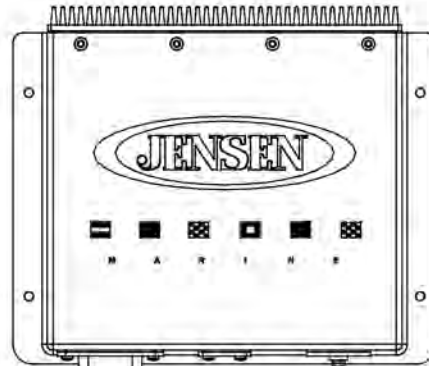


WIRING

WIRED COMMANDER

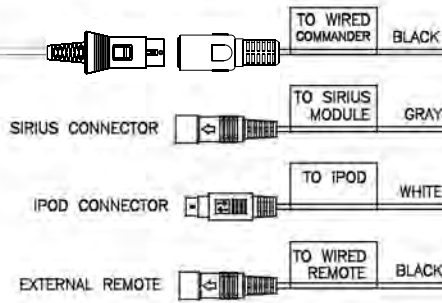
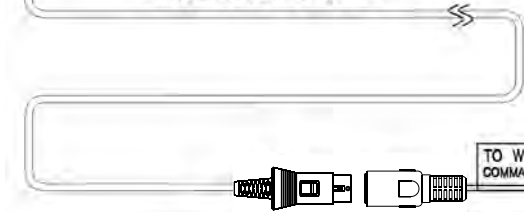


TUNER/AMP MODULE

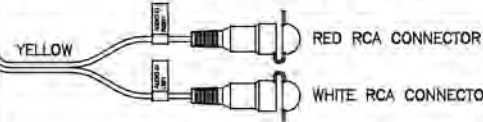


PIN NO.	WIRE COLOR	DESCRIPTION
1	GRAY/BLACK	RIGHT FRONT SPEAKER (-)
2	GRAY	RIGHT FRONT SPEAKER (+)
3	VIOLET	RIGHT REAR SPEAKER (+)
4	VIOLET/BLACK	RIGHT REAR SPEAKER (-)
5	EMPTY	NO CONNECTION
6	GREEN	LEFT REAR SPEAKER (+)
7	GREEN/BLACK	LEFT REAR SPEAKER (-)
8	EMPTY	NO CONNECTION
9	BLACK/SHIELD	REAR PRE-AMP LINE OUT COMMON
10	RED	RIGHT REAR PRE-AMP LINE OUT
11	WHITE	LEFT FRONT SPEAKER (+)
12	WHITE/BLACK	LEFT FRONT SPEAKER (-)
13	EMPTY	NO CONNECTION
14	BLUE	POWER ANTENNA
15	RED	ACCESSORY/IGNITION (+)
16	BLACK	GROUND
17	EMPTY	NO CONNECTION
18	EMPTY	NO CONNECTION
19	EMPTY	NO CONNECTION
20	WHITE	LEFT REAR PRE-AMP LINE OUT

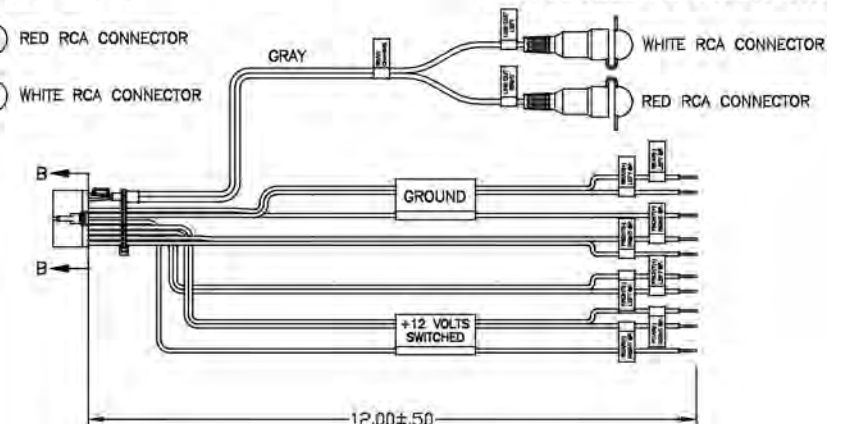
EXTENSION CABLE



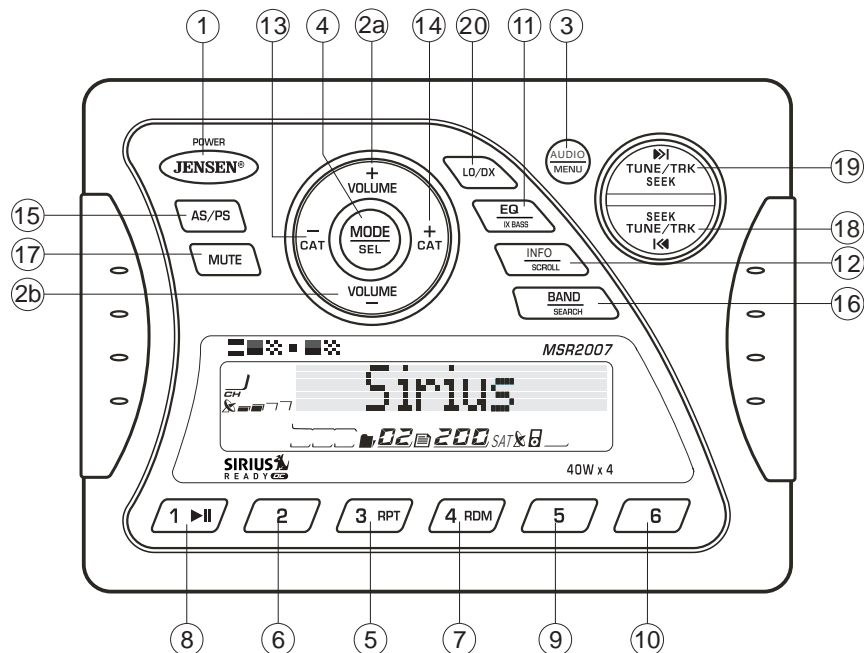
AUX AUDIO INPUTS



LOW LEVEL AUDIO OUTPUTS



BASIC OPERATION



Power On/Off

Press any button on the front panel to turn the unit on. Press the **POWER** button (1) to turn the unit off. The unit will resume the last mode (Tuner, Aux, etc.). The **POWER** button is illuminated whenever the +12V DC Switched (red wire) is powered, regardless of whether the unit is on or off.

Volume Control

To increase the volume, press the **VOLUME +** button (2a). To decrease the volume, press the **VOLUME -** button (2b). The maximum volume level is "46".

Mute

Press the **MUTE** button (17) on the control panel to mute the audio output. Press **MUTE** again to restore the audio output to the previous level.

Mode

Press the **MODE** button (4) on the control panel to select a different mode of operation, as indicated on the display panel. Available modes include Tuner, SIRIUS, iPod and AUX In.

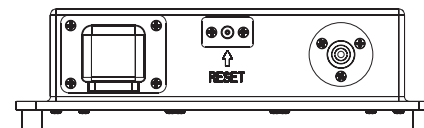
NOTE: iPod and SIRIUS mode will be skipped if the module is not installed.

Reset

The reset button should be activated for the following reasons:

- initial installation of the unit when all wiring is completed
- function buttons do not operate
- error symbol on the display

Use a ball point pin or thin metal object to press the **RESET** button, located on the tuner box.



You can recover factory default settings using the RESUME function located on the system menu. With "YES" flashing, press the **MODE** button (4) to activate.

Audio Menu

Press the **AUDIO** button (3) on the control panel to access the audio menu. You can navigate through the audio menu items by pressing the **AUDIO** button repeatedly. Once the desired menu item appears on the display, adjust that option by pressing the **VOLUME +/-** buttons (2) within 5 seconds. The unit will automatically exit the audio menu after five seconds of inactivity. The following menu items can be adjusted.

Bass Level

Use the **VOLUME** buttons to adjust the Bass level range from "-6" to "+6".

Treble Level

Use the **VOLUME** buttons to adjust the Treble level range from "-6" to "+6".

Balance

Use the **VOLUME** buttons to adjust the Balance between the left and right speakers from "L12" (full left) to "R12" (full right).

Fader

Use the **VOLUME** buttons to adjust the Fader between the rear and front speakers from "R12" (full rear) to "F12" (full front).

System Menu

1. Press and hold the **AUDIO** button (3) for more than 3 seconds to enter the system menu. "MENU" will appear on the display, followed by the first menu item, "CONTRAST."
2. Press the **TUNE/TRK >>|** or **|<<** button (19, 18) or press the **AUDIO** button repeatedly to navigate the system menu and select the desired item.
3. Press the **VOLUME +/-** buttons (2) to adjust the selected menu item.
4. Press the **AS/PS** button to return to the previous operation immediately or wait for 5 seconds to return automatically.

The following items can be adjusted:

- **CONTRAST** (0 – 10): Set LCD contrast.
- **LOW BATT** (ON/OFF): Monitor voltage on ACC line.
- **LOCAL**: this model favors access to local stations whose signals are much stronger; thereby improving radio reception.
- **DISTANT**: this is terminate the local receive mode to normal receive mode.
- **AREA** (USA/LATIN/EUROPE): Set frequency spacing for various regions.
- **VOL PGM** (0 – 46): Select an automatic turn-on volume.
- **BEEP TONE** (ON/OFF): Turn the audible beep ON/OFF (heard when functions/buttons are selected). *NOTE: Beep tone off will not affect LOW BATT audible tone.*
- **RESUME**: Return the EEPROM to factory default set up values and reset the Sirius Tuner Settings. "Yes" will blink on the LCD to confirm. Press **MODE** to select.

LOW BATTERY Operation

If **LOW BATT** is set to "ON", a alarm will sound (8 beeps every 30 sec) when the voltage drops to 10.8V (+/- 0.03V). A visual warning (LOBA) will appear flashing (8 flashes every 30 sec) in the lower left corner of the LCD display.

NOTE: "OFF" is the default setting for LOW BATT. If the audio is muted or the volume is set to 0, the audible beep will not be heard.

Equalizer

Press the **EQ** button (11) to turn on the equalization function and select between five pre-defined bass and treble curves: OFF > POP > JAZZ > CLASSIC > BEAT > ROCK.

iX-Bass

Press and hold the **EQ/IX-BASS** button (11) toggle loudness on/off. When listening to music at low volumes, this feature will boost the bass range to compensate for the characteristics of human hearing.

Auxiliary Input

To access an auxiliary device:

1. Connect the portable audio player to the AUX IN cables on the back of the tuner box.
2. Press the **MODE** button (4) to select Aux In mode.
3. Press **MODE** again to cancel Aux In mode and go to the next mode.

Liquid Crystal Display (LCD)

The current frequency and activated functions are shown on the LCD panel (23).

NOTE: LCD panels may take longer to respond when subjected to cold temperatures for an extended period of time. In addition, the visibility of the numbers on the LCD may decrease slightly. The LCD display will return to normal when the temperature increases to a normal range.

Scroll

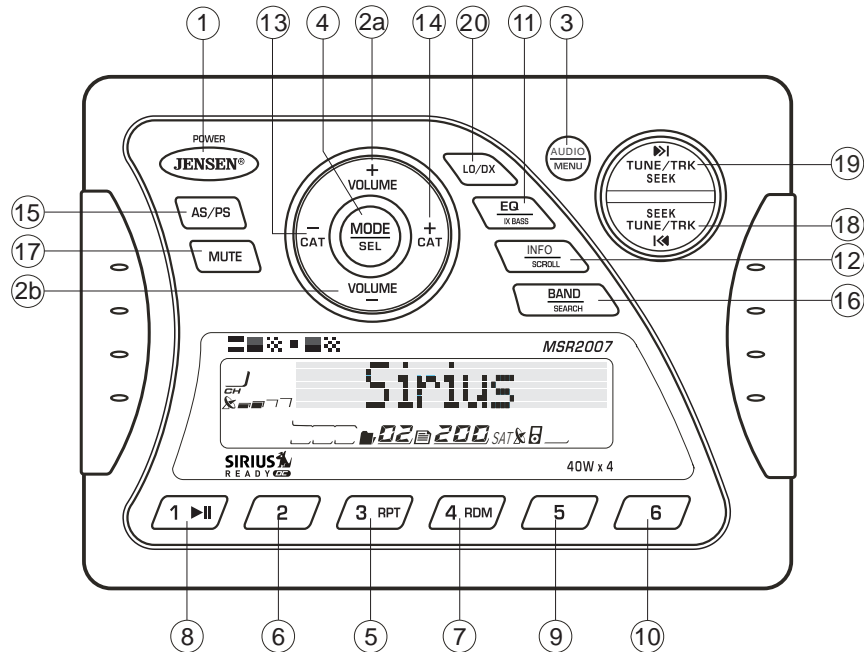
When the information is too long to be displayed on the LCD, press and hold the **INFO/SCROLL** button (12) to view the entire title. The information will scroll twice and then return to abbreviated text.

Quick Exit Hot Key

In the following modes and conditions, press the **AS/PS** button < 3 seconds to quickly exit the current operation without waiting for the system default time out:

- System menu operation
- Searching mode
- Audio menu operation

TUNER OPERATION



Select a Band

Press the **BAND** button (16) to change between three FM bands and two AM (MW) bands.

Manual Tuning

Press the **TUNE/TRK >>|** or **|<<** buttons (18, 19) to seek stations up/down step by step.

Auto Seek Tuning

Press and hold the **TUNE/TRK >>|** or **|<<** buttons (18, 19) to automatically seek the next or previous strong station.

Preset Stations

Six numbered preset buttons store and recall stations for each band.

Store a Station

Select a band (if needed), then select a station. Press and hold a preset button (5-10) for two seconds. The preset number will appear in the display.

Recall a Station

Select a band (if needed). Press a preset button (5-10) to select the corresponding stored station.

Automatically Store / Preset Scan (AS/PS)

Automatically Store

Select a band (if needed). Press and hold the **AS/PS** (15) button for more than three seconds to automatically select six strong stations and store them in the current band. The new stations replace any stations already stored in that band.

NOTE: During Auto Store (AS), the tuner will default to "Local" mode while scanning the band initially. After scanning the entire band once, the unit will switch to "Distant" mode for all subsequent Auto Store tuning.

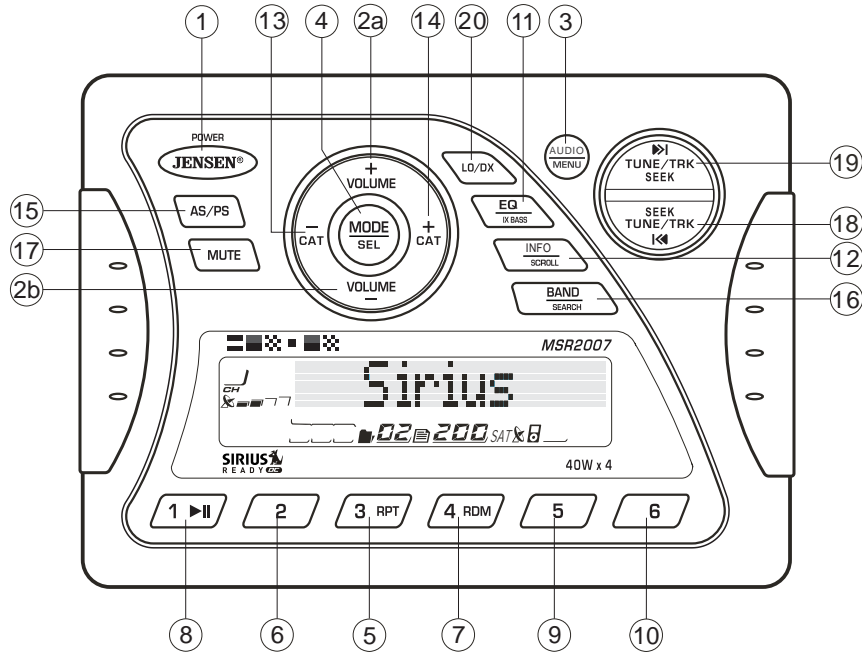
Preset Scan

Select a band (if needed). Press **AS/PS** (15) to scan stations stored in the current band. The unit will pause for ten seconds at each preset station. Press **AS/PS** again to stop scanning when the desired station is reached.

Local/Distant Reception (LO/DX)

During radio operation, received signals are usually in stereo mode as indicated by the "ST" icon. However, when the signals are weak or intermittent, you can activate the Local (LOC) mode by pressing the **LO/DX** button (20). This mode favors access to local stations whose signals are much stronger; thereby improving radio reception. Press the **LO/DX** button again to terminate Local receive mode.

SIRIUS RADIO OPERATION



Switching to SIRIUS Mode (Requires Optional Sirius Tuner)

Press the **MODE** button (4) to change the mode to Sirius radio mode.

Accessing your SIRIUS ID

1. In Sirius mode, *press and hold* the **BAND/SEARCH** button (16) to select DIRECT mode.
2. Press the **MODE** button (4) to activate Direct mode.
3. Press the **MODE** button for each digit to enter "000".
4. Press **MODE** again to confirm. This will display the Sirius ID number for your tuner.
5. The Sirius ID number will scroll twice and then freeze with the first 11 digits on the display. Press the **INFO/SCROLL** button (12) to display the remaining digit.

Selecting a Band

In Sirius mode, press the **BAND** button (16) to access the Sirius user-preset channel groups in the following order: SR-1, SR-2, SR-3.

Category Tuning

1. Press the **CAT - /+** buttons (13/14) to change the category. Each category title and song title will be displayed in increments.
2. While in the category mode, press the **CAT - /+** buttons again to view category names. (The lowest channel number within the chosen category will always be the default first channel tuned.)

3. Press the **MODE** button (4) or the **TUNE/TRK << / >>** buttons (18/19) to choose desired channels in that category.
4. Press the **TUNE/TRK** buttons to select a channel within the chosen category.
5. Press **MODE** to confirm channel selection.

Channel Up/Down Tuning

Press the **TUNE/TRK << / >>** buttons (18/19) to search for a channel. *Press and hold* the **TUNE/TRK** buttons to fast search.

Storing Preset Channels

The preset buttons (5-10) can be used to store 6 channels, allowing convenient access to your favorite channels.

Programming Channels

1. Select the channel you want to store in memory.
2. *Press and hold* a preset button (5-10) until the corresponding preset button number appears.
3. Repeat steps 1 and 2 to program additional channels.

Quick Tuning

Press one of the six preset buttons (5-10) to select a preset channel directly.

Channel Direct Access Searching

1. *Press and hold* the **BAND/SEARCH** button (16) to access Direct Tune mode. "DIRECT-T" appears on the display for a few seconds.
2. Press the **MODE** button (4) to confirm.
3. Press the **TUNE/TRK << / >>** buttons (18/19) to move between the three digits.
4. Use the **VOLUME +/-** buttons (2) to select a number for each position.
5. Press the **MODE** button to confirm each digit.
6. Press the **MODE** button again to tune to the selected file.

Alternate Display Information

Press **INFO/SCROLL** button (12) to change the display information in the following order: ARTIST NAME > SONG TITLE > CATEGORY > CHANNEL NAME.

Satellite Signal Strength

The display will indicate satellite reception strength as shown below.

Signal Strength	Strength Display
No Signal	
Weak	
Good	
Excellent	

IPOD OPERATION

This unit is equipped with an iPod ready function that will allow you to control your iPod (if compatible) using the control panel control buttons. The following iPod versions are supported:

- iPod 3G (firmware version 2.2 only)
- iPod Mini
- iPod 4G
- iPod Photo
- iPod Nano
- iPod 5G (Video)

NOTE: iPod and iPod Cable sold separately.

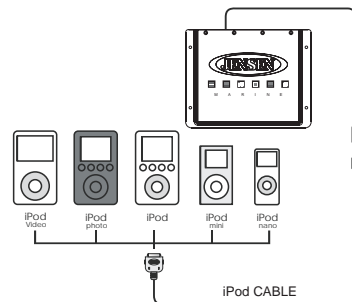
Accessing iPod Mode

The unit will automatically switch to iPod mode when an iPod is plugged into the iPod cable.

To return to the iPod menu from any other source, press the **MODE** button (4) on the control panel or remote control until "iPod" appears on the display.

Turning the iPod On/Off

The iPod power turns on automatically when an iPod is connected to 30-pin iPod cable, as long as the vehicle ignition is turned on. You can turn the iPod off by disconnecting it from the cable or by turning the ignition off. When the ignition is turned off, the iPod will pause and then enter sleep mode after 2 minutes. While the iPod is connected, the power cannot be turned on or off from the iPod itself.



NOTE: The iPod will continuously recharge when connected to the unit, as long as the vehicle ignition is turned on.

Controlling Playback

Pausing Playback

During playback, press the **1/>>||** button (8) to pause the iPod player. "Pause" will appear on the LCD. Press **1/>>||** again to resume playback.

Repeat Play

During playback, press the **3/RPT** button (5) to repeat the current song. "Repeat" will appear on the LCD. Press **3/RPT** again to stop repeat playback.

Random Play

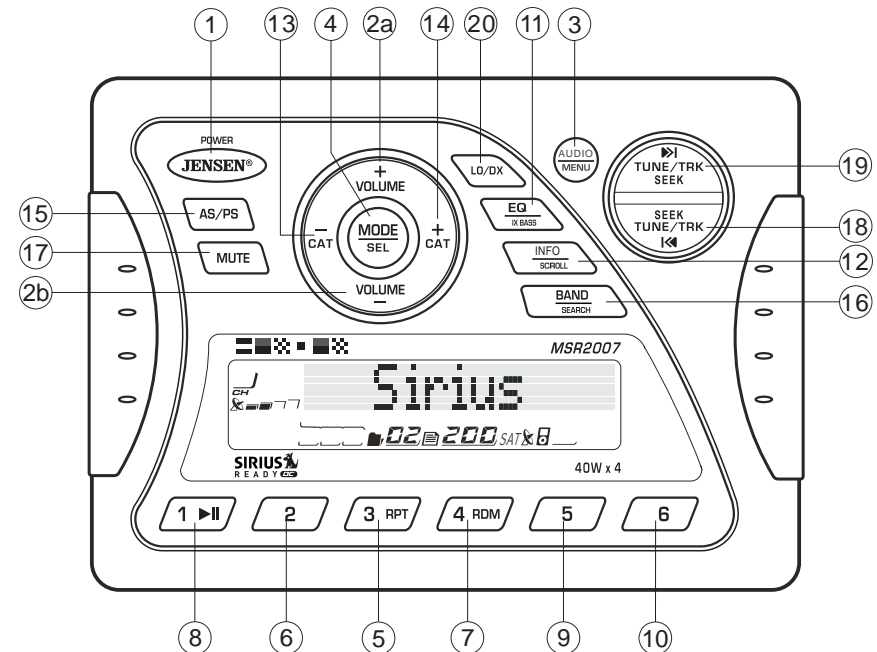
During playback, press the **4/RDM** button (7) to play all songs in the current category in random order. Random play will begin once the current song has finished playing. "Shuffle" will appear on the LCD. Press **4/RDM** again to stop random playback.

Selecting Tracks

During playback, press the **TUNE/TRK << / >>** button (18/19) to play the previous or next track in the current category. Press the **TUNE/TRK <<** button (18) once to play the song from the start position or press **TUNE/TRK <<** twice to play the previous track.

Press and hold the **TUNE/TRK << / >>** button (18/19) to fast reverse/forward the song.

NOTE: If you press and hold the TUNE/TRK << / >> button to change the current song to the previous/next song, you will exit fast reverse/forward mode.



Alternate Display Information

Press **INFO/SCROLL** button (12) to change the display information in the following order: ARTIST NAME > SONG TITLE > FOLDER NAME.

Search Mode

Press and hold the **BAND/SEARCH** button (16) to enter iPod search mode. Press **BAND/SEARCH** again to access Playlist, Artist, Album, Genre, Song, or Composer (consecutively).

When search mode is selected, press the **MODE** button (4) to confirm selection. Use the **VOLUME +/-** buttons (2) to navigate through various list selections. Press **MODE** (4) to make your final selection.

CARE AND MAINTENANCE

- Keep the product dry. If it does get wet, wipe it dry immediately. Liquids might contain minerals that can corrode the electronic circuits.
- Keep the product away from dust and dirt, which can cause premature wear of parts.
- Handle the product gently and carefully. Dropping it can damage circuit boards and cases, and can cause the product to work improperly.
- Wipe the product with a dampened cloth occasionally to keep it looking new. Do not use harsh chemicals, cleaning solvents, or strong detergents to clean the product.
- Use and store the product only in normal temperature environments. High temperature can shorten the life of electronic devices, damage batteries, and distort or melt plastic parts.

Ignition

The most common source of noise in reception is the ignition system. This is a result of the radio being placed close to the ignition system (engine). This type of noise can be easily detected because it will vary in intensity of pitch with the speed of the engine.

Usually, the ignition noise can be suppressed considerably by using a radio suppression type high voltage ignition wire and suppressor resistor in the ignition system. (Most vessels employ this wire and resistor but it may be necessary to check them for correct operation.) Another method of suppression is the use of additional noise suppressors. These can be obtained from most CB/A radio or electronic supply shops.

Interference

Radio reception in a moving environment is very different from reception in a stationary environment (home). It is very important to understand the difference.

AM reception will deteriorate when passing under a bridge or when passing under high voltage lines. Although AM is subject to environmental noise, it has the ability to received at great distance. This is because broadcasting signals follow the curvature of the earth and are reflected back by the upper atmosphere.

TROUBLESHOOTING

Symptom	Cause	Solution
No power	The vessel's accessory switch is not on	If the power supply is properly connected to the vessel's accessory terminal, switch the ignition key to "ACC"
	The fuse is blown	Replace the fuse
No sound	Volume is too low	Adjust volume to audible level
	Wiring is not properly connected	Check wiring connections
The operation keys do not work	The built-in microcomputer is not operating properly due to noise	Press the RESET button
Cannot tune to radio station, auto-seek does not work	The antenna cable is not connected	Insert the antenna cable firmly
	The signals are too weak	Select a station manually

SPECIFICATIONS

FM Radio

Frequency Coverage (USA) 87.5 to 107.9 MHz
 Frequency Coverage (Europe) 87.5 to 108 MHz
 Sensitivity (S/N=30dB) 4µV
 Image Rejection >45 dB
 Stereo Separation >25 dB

AM/MW

Frequency Range (USA) 530-1720 kHz
 Frequency Range (Europe) 522-1620 kHz
 Sensitivity (S/N=20dB) 36 dB

General

Operating Voltage DC 12 Volts
 Grounding System Negative Ground
 Speaker Impedance 4-8 ohms per channel
 Tone Controls:
 Bass (at 100 Hz) : ±10 dB
 Treble (at 10 kHz) : ±10 dB
 Power Output 40W x 4
 Current Drain 15 Ampere (max.)
 Commander Dimensions 5.15" (W) x 1.2" (D) x 3.7" (H)
 Tuner/Amp Dimensions 8.35" (W) x 6.55" (D) x 2.4" (H)

INFORMACIÓN DE SEGURIDAD

Cuando Navegue

Mantenga el volumen lo suficientemente bajo para escuchar a su alrededor.

Protéjalo del Agua

No sumerja o exponga el producto directamente al agua, pues puede causar cortos eléctricos, incendios o daños.

Protéjalo contra las Altas Temperaturas

Exposición a luz solar directa por un periodo extendido de tiempo puede producir muy altas temperaturas dentro de su buque. Deje que el interior se enfríe antes de iniciar la reproducción.

No monte un radio en las proximidades del compartimiento del motor.

Utilice la Alimentación de Energía Adecuada

Este producto está diseñado para operar con un sistema de baterías de 12 voltios de Corriente Continua negativa conectado a tierra.

ADVERTENCIA:

- NO ABRA, DESARME O ALTERE LA UNIDAD DE NINGUNA FORMA. Hacerlo puede provocar fuego, choque eléctrico o daños.
- USE EL AMPERAJE CORRECTO CUANDO REEMPLACE UN FUSIBLE. No hacerlo puede provocar fuego, choque eléctrico o daños.
- NO INSTALE EN LUGARES QUE PUEDAN OBSTRUIR LA OPERACIÓN DEL VEHÍCULO. Hacerlo puede obstruir la visión u obstaculizar movimientos y puede provocar accidentes serios.
- INSTALE EL CABLEADO DE TAL FORMA QUE NO SE DOBLE O PUNCE CON TORNILLOS O FILOS. Coloque los cables lejos de partes movibles o con bordes filosos o con punta. Esto prevendrá doblar o dañar el cableado. Si el cableado debe pasar por un agujero de metal, asegúrese de usar un reborde de goma para prevenir que se corte el cable con el borde metálico del agujero. También se recomienda aplicar sellador en cualquier apertura que potencialmente pueda permitir el ingreso de agua.
- Asegúrese de elegir una ubicación que sea plana y tenga lugar arriba de la unidad para prevenir cualquier daño, como así también permitir la ventilación.
- Antes de realizar algún agujero, cuidadosamente inspeccione el área debajo y detrás de la superficie de montaje donde los dispositivos se fijarán, para asegurarse que no interferirán con cables, tubos o tanques combustibles o cualquier otro objeto que pueda ser dañado.
- Siempre desconecte el terminal negativo de la batería del vehículo para prevenir cortos accidentales durante la instalación.

INSTALACIÓN

Antes de Empezar

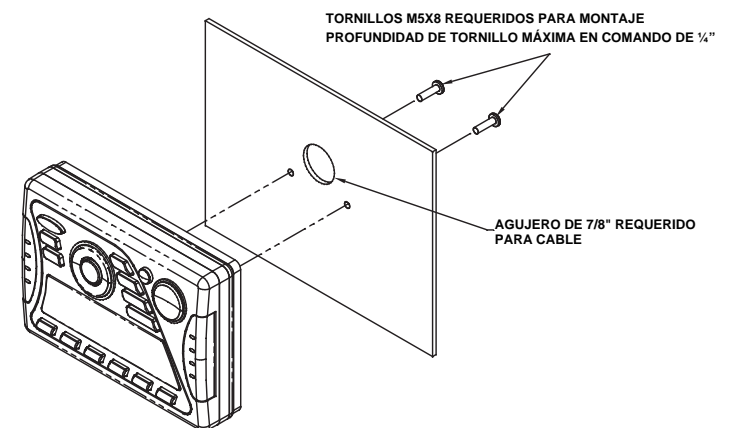
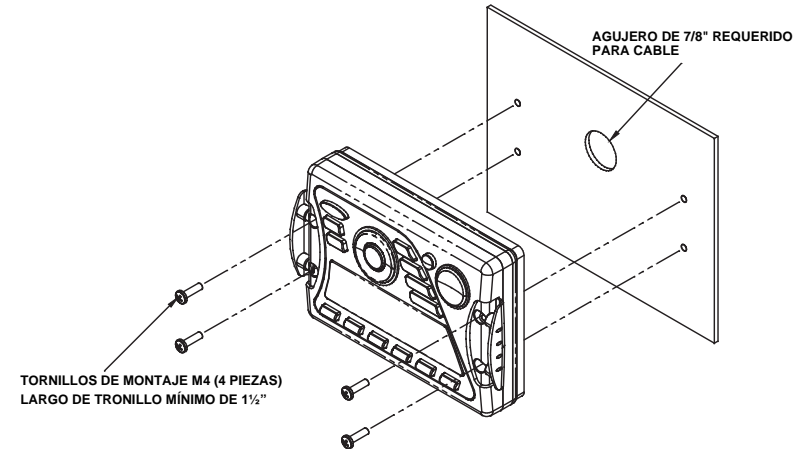
Antes de empezar, siempre desconecte la terminal negativa de la batería.

Notas Importantes

- Antes de la instalación final, pruebe las conexiones de cables para asegurarse de que la unidad esté conectada adecuadamente y el sistema funcione.
- Utilice solamente las partes incluidas con la unidad para asegurarse la instalación adecuada. El uso de partes no autorizadas puede causar mal funcionamiento.
- Consulte su revendedor más cercano si la instalación requiere taladrar agujeros u otras modificaciones a su buque.
- Instale la unidad donde no interfiera con el manejo y no pueda herir a ningún pasajero si se frena repentinamente o de emergencia.
- Evite instalar la unidad donde sea sometida a altas temperaturas debido a luz directa del sol, aire caliente o del calentador, o donde reciba polvo, suciedad o vibración en exceso.

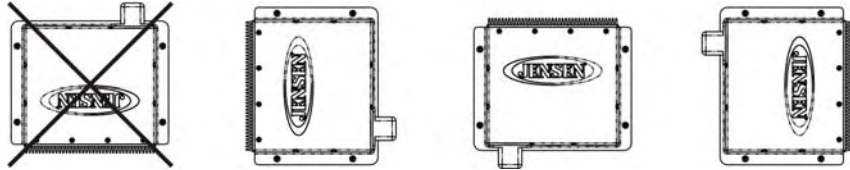
Montaje del Comando Cableado

1. Elija un área de montaje para el comando cableado que sea limpio y plano, permitiendo que la junta trasera se selle completamente contra la superficie de montaje.
2. Asegure el comando cableado usando uno de los métodos de montaje recomendados en detalle en los diagramas de abajo.



Montaje de Radio/Amplificador

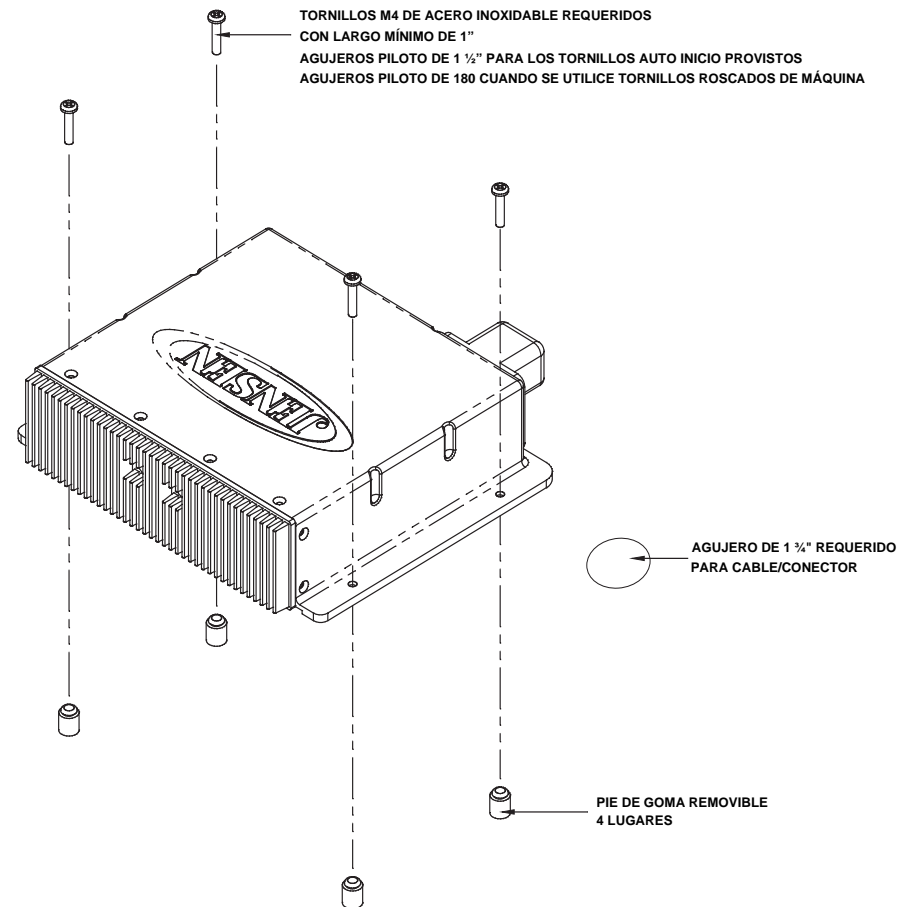
1. Elija un área de montaje para el módulo de radio/amplificador que provea mucha ventilación para prevenir que el amplificador se recaliente. El módulo de radio/amplificador puede ser montado en posición horizontal o vertical. Por favor, note que cuando monte en posición vertical, no realice el montaje con los puntos de salida del arnés hacia arriba pues se puede juntar agua alrededor del chasis en éstas áreas.



2. Fije los 4 pies de montaje de goma provistos, a la parte baja del plato de metal del radio / amplificador. Esto brindará espacio de la humedad de la superficie y promueve buena ventilación al lavabo del calefactor.
3. Usando los tornillos recomendados más cortos posibles, monte el radio / amplificador como se detalla en el diagrama a la derecha.
4. Coloque el arnés y el cable del radio / amplificador a través del buque como sea necesario. Mantenga el arnés / cables algo flojo para que no esté demasiado ajustado causando daños a los cables.
5. Siga el diagrama de cableado detalladamente y asegúrese de que todas las conexiones estén seguras y aisladas con conectores crimpados o cinta aisladora para asegurar la instalación adecuada.
6. Luego de completar las conexiones del cableado, conecte nuevamente el terminal negativo en la batería y encienda la unidad para confirmar su operación (la llave accesoria del buque debe estar encendida). Si la unidad no opera, desconecte la batería, verifique nuevamente todo el cableado y lea la guía de solución de problemas que está al final del manual.

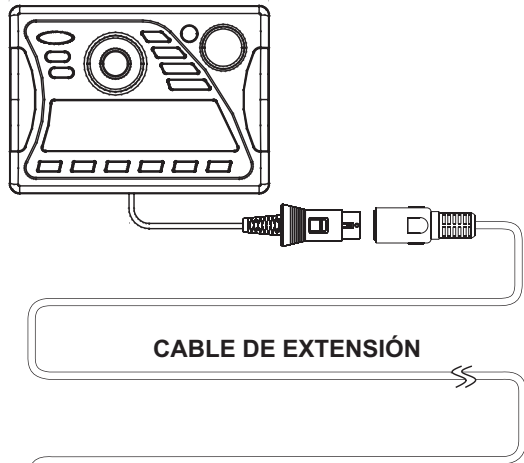
Reconecte la Batería

Cuando el cableado se complete, reconecte el terminal negativo de la batería.

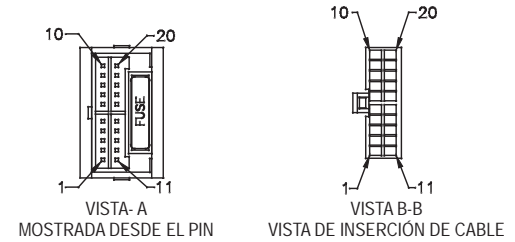
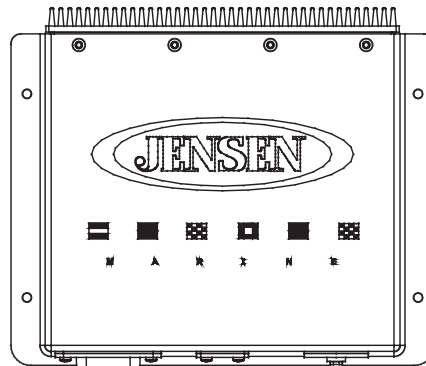


CABLEADO

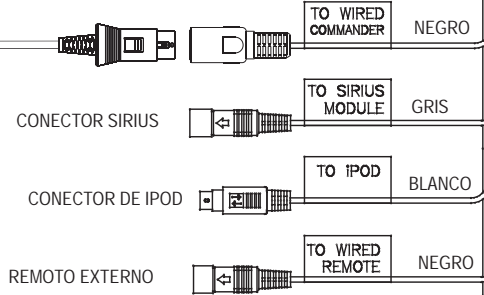
COMANDO CABLEADO



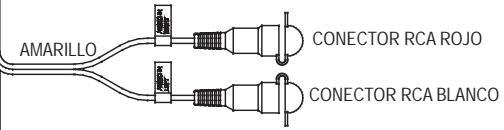
MÓDULO DE RADIO / AMPLIFICADOR



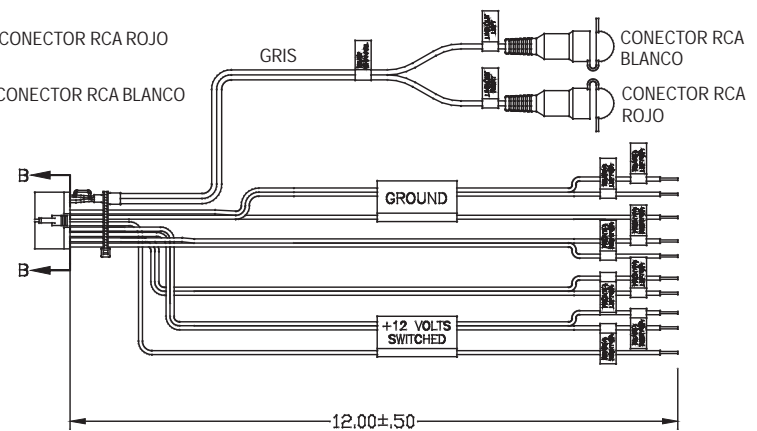
PIN	COLOR ALAMBRE	DESCRIPCIÓN
1	GRIS/NEGRO	ALTAVOZ DELANTERO DERECHO (-)
2	GRIS	ALTAVOZ DELANTERO DERECHO (+)
3	VIOLETA	ALTAVOZ TRASERO DERECHO (+)
4	VIOLETA/NEGRO	ALTAVOZ TRASERO DERECHO (-)
5	VACIO	SIN CONEXION
6	VERDE	ALTAVOZ TRASERO IZQUIERDO (+)
7	VERDE/NEGRO	ALTAVOZ TRASERO IZQUIERDO (-)
8	VACIO	SIN CONEXION
9	NEGRO/SHIELD	SALIDA DE AMPLIFICACIÓN PREVIA TRASERA COMUN
10	ROJO	SALIDA DE PREAMPLIFICACIÓN DERECHA TRASERA
11	BLANCO	ALTAVOZ DELANTERO IZQUIERDO (+)
12	BLANCO/NEGRO	ALTAVOZ DELANTERO IZQUIERDO (-)
13	VACIO	SIN CONEXION
14	AZUL	ANTENA DE ENERGIA
15	ROJO	IGNICION ACCESORIA
16	NEGRO	TIERRA
17	VACIO	SIN CONEXION
18	VACIO	SIN CONEXION
19	VACIO	SIN CONEXION
20	BLANCO	SALIDA DE PREAMPLIFICACIÓN IZQUIERDA TRASERA



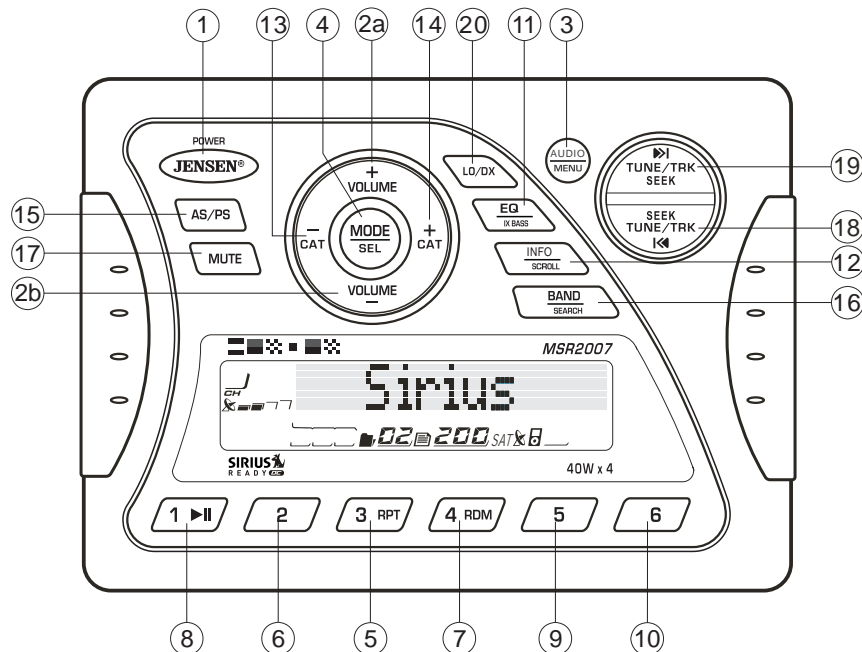
ENTRADAS DE AUDIO AUXILIAR



SALIDAS DE AUDIO DE BAJO NIVEL



OPERACIÓN BÁSICA



Encendido/Apagado

Presione cualquier botón en el panel delantero para encender la unidad. Presione el botón **POWER** (1) para apagar la unidad. La unidad reasumirá el último modo (Radio, Auxiliar, etc.). El botón **POWER** se ilumina siempre que enciende la llave de Corriente Continua de +12V (cable rojo), sin importar si la unidad está prendida o apagada.

Control de Volumen

Para subir el volumen, presione el botón **VOLUME +** (2a). Para bajar el volumen, presione el botón **VOLUME -** (2b). El nivel máximo de volumen es "46".

Mute (Mudo)

Presione el botón **MUTE** (17) en el panel de control para enmudecer la salida de audio. Presione **MUTE** nuevamente para restaurar la salida de audio al nivel previo.

Modo

Presione el botón **MODE** (4) en el panel de control para seleccionar un modo de operación diferente, como se indica en la pantalla. Modos disponibles incluyen Tuner (Radio), SIRIUS, iPod y AUX In.

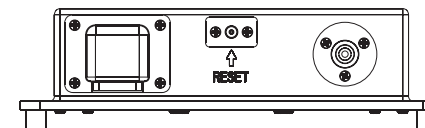
NOTA: Los modos iPod y SIRIUS se saltarán si el módulo no está instalado.

Reiniciar

El botón de reinicio (reset) se debe presionar por las siguientes razones:

- En la instalación inicial, cuando todo el cableado esté completo
- No funcionan los botones de función
- Hay un símbolo de error en pantalla

Utilice un bolígrafo o un objeto de metal delgado para presionar el botón **RESET**, ubicado en la caja del radio.



Usted puede volver a la configuración de fábrica usando la función **RESUME** ubicada en el menú de sistema. Con el cartel "YES" destellando, presione el botón **MODE** (4) para activar.

Menú de Audio

Presione el botón **AUDIO** (3) en el panel de control para acceder al menú de audio. Usted puede navegar a través de los ítems de menú de audio presionando repetidas veces el botón **AUDIO**. Una vez que el menú deseado aparezca en pantalla, ajuste la opción presionando los botones de **VOLUMEN +/-** (2) dentro de los 5 segundos. La unidad automáticamente saldrá del menú de audio luego de cinco segundos de inactividad. Se pueden ajustar los siguientes ítems de menú.

Nivel de Bajos (Bass)

Utilice los botones **VOLUME** para ajustar el rango de nivel de Bajos desde "-6" a "+6".

Nivel de Agudos (Treble)

Utilice los botones **VOLUME** para ajustar el rango de nivel de Agudos desde "-6" a "+6".

Balance

Gire los botones de **VOLUME** para ajustar el balance entre los altavoces posteriores y delanteros desde "R12" (completamente hacia atrás) hasta "F12" (completamente hacia adelante).

Fader (Balance delantero/posterior)

Use the **VOLUME** buttons to adjust the Fader between the rear and front speakers from "R12" (full rear) to "F12" (full front).

Menú de Sistema

1. Mantenga presionado el botón **AUDIO** (3) por más de 3 segundos para acceder al menú de sistema. "MENU" aparecerá en pantalla, seguido del primer ítem, "CONTRAST" (Contraste).
2. Presione los botones **TUNE/TRK >>|** o **|<<** (19, 18) o presione el botón **AUDIO** repetidas veces para navegar el menú de sistema y seleccionar el ítem deseado.
3. Presione los botones **VOLUME +/-** (2) para ajustar el ítem de menú seleccionado.
4. Presione el botón **AS/PS** para volver a la operación previa inmediatamente o esperar por 5 segundos para volver automáticamente.

Se pueden ajustar los siguientes ítems:

- **CONTRAST** (Contraste) (0 - 10): Configurar el contraste del LCD.
- **LOW BATT** (Batería baja) (ON/OFF): Voltaje de monitor en línea ACC.
- **ÁREA** (USA/AMERICA LATINA/EUROPA/OIRT): Configura espacio en la frecuencia para varias regiones.
- **VOL PGM** (0 - 46): Seleccione un volumen de encendido automático.
- **BEEP TONE/TONO DE BIP** (ENCENDIDO/APAGADO): Encienda o apaga el bip audible (escuchado cuando se seleccionan botones o funciones). **NOTA:** El tono de bip apagado no afectará el tono audible de batería baja.
- **RESUME:** Regrese el EEPROM a los valores por defecto de fábrica y reinicia la Configuración de Radio Sirius. "Yes" destellará en el LCD para confirmar. Presione **MODE** para seleccionar.

Operación con Batería Baja (LOW BATTERY)

Si **LOW BATT** está en "ON", una alarma sonará (8 bips cada 30 segundos) cuando el voltaje cae a 10.8V (+/- 0.03V). Una advertencia visual (**LOBA**) aparecerá (8 destellos cada 30 segundos) en la esquina inferior izquierda de la pantalla.

NOTA: La configuración por defecto para **LOW BATT** es apagado ("OFF"). Si se enmudece un audio o el volumen está en 0, el bip audible no se escuchará.

Ecuizador

Presione el botón **EQ** (11) para encender la función de ecualización y seleccionar entre cinco curvas de bajos y agudos predefinidos: OFF > POP > JAZZ > CLASSIC > BEAT > ROCK.

iX-Bass (Graves iX)

Mantenga presionado el botón **EQ/IX-BASS** (11) para cambiar entre sonoridad encendida o apagada. Cuando escuche música en volumen bajo, esta función potenciará los rangos graves para compensar las características del oído humano.

Entrada Auxiliar

Para acceder a un dispositivo auxiliar:

1. Conecte el reproductor de audio portátil a los cables **AUX IN** en la parte de atrás de la caja del radio.
2. Presione el botón **MODE** (4) para seleccionar el modo Aux In.
3. Presione **MODE** nuevamente para cancelar el modo Aux In e ir al modo siguiente.

Pantalla de Cristal Líquido (LCD)

La frecuencia de corriente y las funciones activas se muestran en pantalla (23).

NOTA: Los paneles **LCD** pueden tardar más en responder cuando estén expuesto a temperaturas bajas durante un período prolongado de tiempo. Además, la visibilidad de los números en el **LCD** puede bajar levemente. La pantalla **LCD** volverá a su normalidad cuando la temperatura suba a un rango normal.

Scroll (Avanzar)

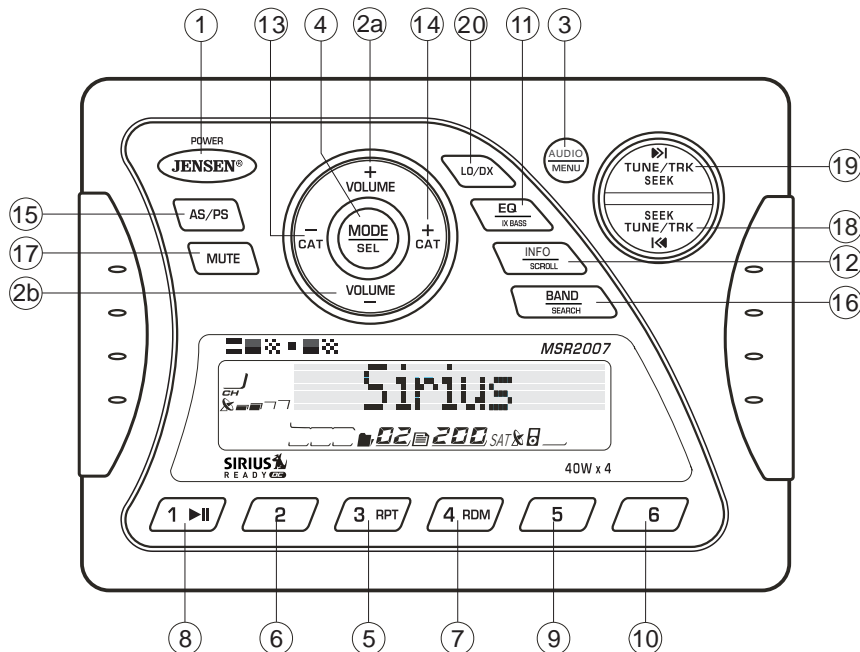
Cuando la información es muy larga para entrar en la pantalla, mantenga presionado el botón **INFO/SCROLL** (12) para ver el título entero. La información pasará dos veces y luego volverá al texto abreviado.

Tecla de Salida Rápida

En los modos y condiciones siguientes, presione el botón **AS/PS** < 3 segundos para salir rápidamente de la operación actual sin esperar el cierre por defecto del sistema:

- Operación de menú de sistema
- Modo de búsqueda
- Operación de menú de audio

OPERACIÓN DEL SINTONIZADOR



Seleccione una Banda

Presione el botón BAND (16) para cambiar entre tres bandas FM y dos bandas AM (MW).

Sintonía Manual

Presione los botones TUNE/TRK >>| o |<< (18, 19) para buscar estaciones una a una hacia arriba o hacia abajo.

Sintonía de Búsqueda Automática

Presione los botones TUNE/TRK >>| o |<< (18, 19) para buscar automáticamente la estación potente siguiente o anterior en el dial.

Estaciones Preseleccionadas

Seis botones numerados almacenan y sintonizan estaciones preseleccionadas por cada banda.

Almacene una Estación

Seleccione una banda (si es necesario), luego seleccione una estación. Mantenga presionado el botón de configuración previa (5-10) por dos segundos. El número preseleccionado aparecerá en la pantalla.

Ir a una Estación

Seleccione una banda (si es necesario). Presione el botón de preselección (5-10) para seleccionar la estación almacenada correspondiente.

Grabado Automático/Recorrido Preseleccionado de Sintonía (AS/PS)

Grabado Automático

Seleccione una banda (si es necesario). Mantenga presionado el botón AS/PS (15) por más de tres segundos para seleccionar automáticamente seis estaciones fuertes y grabarlas en la banda actual. Las nuevas estaciones reemplazan cualquier estación almacenada anteriormente en esa banda.

NOTA: Durante el Grabado Automático (AS), el radio por defecto estará en modo "Local" mientras realiza el escaneo inicial de la banda. Luego de escanear toda la banda una vez, la unidad cambiará a modo "Distante" para toda configuración de Grabado Automático subsiguiente.

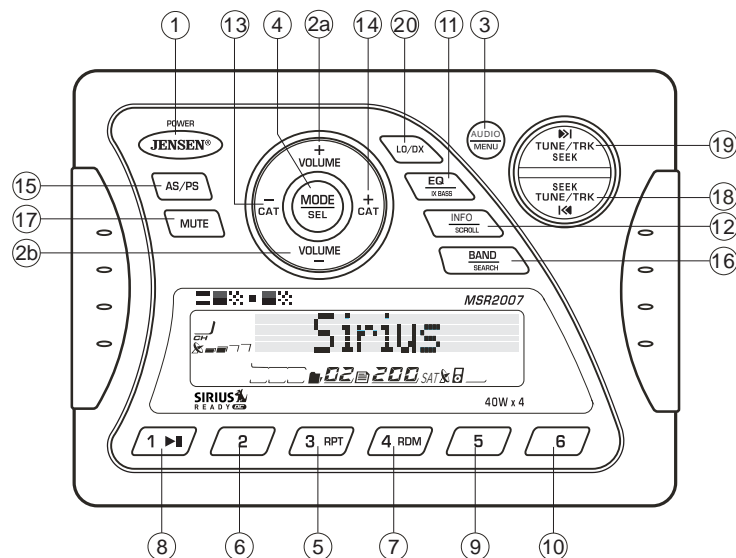
Escaneo Preseleccionado

Seleccione una banda (si es necesario). Presione el botón AS/PS (15) para recorrer estaciones grabadas en la banda actual. La unidad se detiene por 10 segundos en cada estación potente. Presione AS/PS nuevamente para detener el escaneo cuando se alcanza la estación deseada.

Recepción Local/Distante (LO/DX)

Durante la operación de radio, las señales recibidas están usualmente en modo estéreo como se indica con el icono "ST". Sin embargo, cuando las señales son débiles o intermitentes, usted puede activar el modo Local (LOC) presionando el botón LO/DX (20). Este modo favorece el acceso a estaciones locales cuyas señales sean más fuertes, mejorando en consecuencia la recepción del radio. Presione el botón LO/DX nuevamente para terminar el modo de recepción Local.

OPERACIÓN DE RADIO SIRIUS



Cambiando a Modo SIRIUS (Requiere el Radio Sirius)

Presione el botón **MODE** (4) para cambiar el modo a radio Sirius.

Accediendo al Identificador de SIRIUS

1. En modo Sirius, mantenga presionado el botón **BAND/SEARCH** (16) para seleccionar el modo DIRECT.
2. Presione el botón **MODE** para entrar en cada dígito "000".
3. Presione **MODE** nuevamente para confirmar. Esto mostrará el número de identificación (ID) de Sirius para su radio.
4. Este número de identificación Sirius pasará dos veces y luego se congelará con los primeros 11 dígitos en pantalla. Presione el botón **INFO/SCROLL** (12) para mostrar el dígito remanente.

Seleccionando una Banda

En modo Sirius, presione el botón **BAND** (16) para accederlos grupos de canales preseleccionados por el usuario en Sirius en el siguiente orden: SR-1, SR-2, SR-3.

Sintonía de Categoría

1. Presione los botones **CAT +/-** (13/14) para cambiar de categoría. Cada título de categoría y título de canción se mostrará en pantalla en aumento.
2. Mientras esté en modo de categoría, presione los botones **CAT - / +** nuevamente para ver los nombres de categorías. (El número de canal más bajo dentro de la categoría elegida siempre será el primer canal en sintonizar por defecto.)

3. Presione el botón **MODE** (4) o los botones **TUNE/TRK** [\ll / \gg] (18/19) para elegir los canales deseados en esa categoría.
4. Presione los botones **TUNE/TRK** para seleccionar un canal entre las categorías.
5. Presione **MODE** para confirmar la selección del canal.

Sintonía de Canal hacia Arriba o hacia Abajo

Presione los botones **TUNE/TRK** [\ll / \gg] (18/19) para buscar un canal. Mantenga presionado los botones **TUNE/TRK** para búsqueda rápida.

Guardando Canales Preseleccionados

Los botones de preselección (5-10) se pueden usar para guardar hasta 6 canales, permitiendo acceso conveniente a sus canales favoritos.

Programando Canales

1. Seleccione el canal que usted quiere guardar en memoria.
2. Mantenga presionado el botón de configuración previa (5 - 10) hasta que el número del botón correspondiente aparece.
3. Repita los pasos 1 y 2 para programar canales adicionales.

Sintonía Rápida

Presione uno de los seis botones de preselección (5 - 10) para seleccionar directamente un canal.

Buscando un Acceso Directo a un Canal

1. Mantenga presionado el botón **BAND/SEARCH** (Banda/Búsqueda, 16) para acceder a modo de Sintonía Directa. "DIRECT-T" aparece en pantalla por pocos segundos.
2. Presione el botón de **MODE** (4) para confirmar.
3. Presione los botones **TUNE/TRK** [\ll / \gg] (18/19) para moverse entre los tres dígitos.
4. Utilice los botones de **VOLUME +/-** (2) para seleccionar un número para cada posición.
5. Presione el botón de **MODE** para confirmar cada dígito.
6. Presione el botón **MODE** nuevamente para sintonizar el archivo seleccionado.

Información Alternativa en Pantalla

Presione el botón **INFO/SCROLL** (12) para cambiar la información de pantalla en el siguiente orden: ARTIST NAME (Nombre del Artista) > SONG TITLE (Título de la Canción) > CATEGORY (Categoría) > CHANNEL NAME (Nombre del Canal).

Fuerza de la Señal Satelital

La pantalla indica la fuerza de la recepción satelital como se muestra abajo.

Signal Strength	Strength Display
No Signal	
Weak	
Good	
Excellent	

OPERACIÓN DEL IPOD

Esta unidad está equipada con una función de compatibilidad con iPod que permite controlar su iPod (si es compatible) usando los botones del panel de control. Son compatibles las siguientes versiones de iPod:

- iPod 3G (soportes lógico inalterable 2.2 solamente)
- iPod Mini
- iPod 4G
- iPod Photo
- iPod Nano
- iPod 5G (Video)

NOTA: iPod y Cable de iPod se venden por separado.

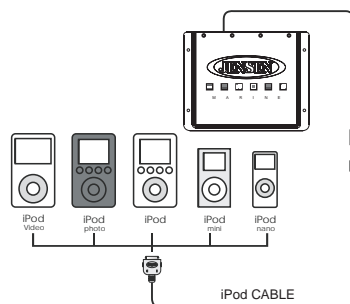
Accediendo al Modo iPod

La unidad automáticamente cambiará a modo de iPod cuando un iPod se enchufa en el cable de iPod.

Para volver al menú de iPod desde cualquier otra fuente, presione el botón **MODE** (4) en el panel de control o en el control remoto hasta que "iPod" aparezca en pantalla.

Encendiendo/Apagando el iPod

El iPod se enciende automáticamente cuando un iPod se conecta al cable de 30 pines de iPod, siempre que la ignición del vehículo esté encendida. Usted puede apagar el iPod desconectándolo del cable o apagando la ignición. Cuando la ignición del vehículo se apaga, el iPod hará una pausa y luego de 2 minutos entrará en modo dormir. Mientras está conectado, el iPod no se puede encender o apagar usando los controles del iPod.



NOTA: El iPod se recargará continuamente cuando esté conectado a la unidad, mientras que la ignición del vehículo esté encendida.

Controlando la Ejecución

Deteniendo la Reproducción

Durante la reproducción, presione el botón **1/>>||** (8) para pausar el reproductor del iPod. En pantalla aparecerá "Pause". Presione nuevamente **1/>>||** para reanudar la reproducción.

Reproducción en Repetición

Durante la reproducción, presione el botón **3/RPT** (5) para repetir la canción actual. En pantalla aparecerá "Repeat". Presione **3/RPT** nuevamente para detener la repetición.

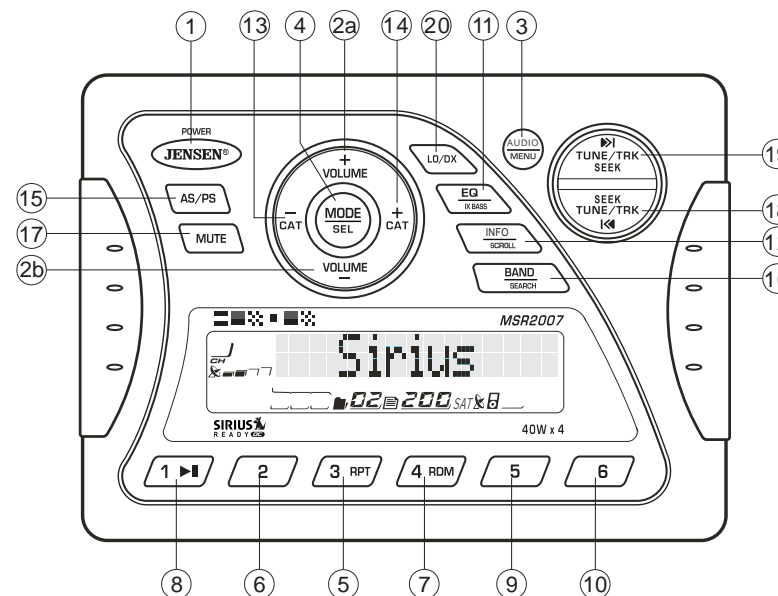
Reproducción Aleatoria

Durante la reproducción, presione el botón **4/RDM** (7) para pasar todas las canciones de esa categoría en orden aleatorio. La reproducción aleatoria se iniciará cuando la canción actual finalice. En pantalla aparecerá "Shuffle". Presione **4/RDM** nuevamente para detener la ejecución aleatoria.

Seleccionando Pistas

Durante la reproducción, presione los botones **TUNE/TRK |<< / >>|** (18/19) para reproducir la pista anterior o siguiente en la categoría actual. Presione el botón **TUNE/TRK |<<** (18) una vez para reproducir la canción desde la posición inicial o presiones **TUNE/TRK |<<** dos veces para reproducir la pista previa. Mantenga presionado el botón **TUNE/TRK |<< / >>|** (18/19) para retroceder o avanzar rápidamente la canción.

NOTA: Si mantiene presionado el botón TUNE/TRK |<< / >>| para cambiar la canción actual por la siguiente o a la previa, usted saldrá del modo retroceso o avance rápido.



Información de Pantalla Alterna

Presione el botón **INFO/SCROLL** (12) para cambiar la información de pantalla en el siguiente orden: ARTIST NAME (Nombre del Artista) > SONG TITLE (Título de la Canción) > FOLDER NAME (Nombre de la Carpeta).

Modo de Búsqueda

Mantenga presionado el botón **BAND/SEARCH** (Banda/Búsqueda, 16) para acceder a modo de búsqueda de iPod. Presione **BAND/SEARCH** nuevamente para acceder consecutivamente a Playlist (Lista de reproducción), Artist (Artista), Album (Álbum), Gender (Género), Song (Canción) o Composer (Compositor).

Cuando esté seleccionado el modo de búsqueda, presione el botón **MODE** (4) para confirmar la selección. Utilice los botones **VOLUME+/-** (2) para navegar a través de varias selecciones de listas. Presione **MODE** (4) para asegurar su selección final.

CUIDADO Y MANTENIMIENTO

- Mantenga el producto seco. En el caso de mojarse, séquelo inmediatamente. Los líquidos pueden contener minerales que corroen los circuitos electrónicos.
- Mantenga el producto lejos de polvo y suciedad, lo cual puede causar un desgaste prematuro de las partes.
- Maneje el producto suave y cuidadosamente. Dejarlo caer puede dañar circuitos y cajas, y puede causar que el producto funcione inadecuadamente.
- Ocasionalmente limpie el producto con un trapo mojado para que mantenerlo como nuevo. No utilice químicos fuertes, solventes de limpieza o detergentes fuertes para limpiar el producto.
- Utilice y guarde el producto solamente en ambientes de temperatura normal. Las altas temperaturas pueden acortar la vida de los dispositivos electrónicos, dañar baterías y distorsionar y derretir las partes plásticas.

Ignición

La fuente más común de ruido en la recepción es el sistema de ignición. Esto es el resultado de un radio ubicado cerca del sistema de ignición (motor). Este tipo de ruido puede ser detectado fácilmente porque variará en intensidad de tono con la velocidad del motor.

Usualmente, el ruido de la ignición se puede suprimir considerablemente usando un cable de ignición de la suspensión de alto voltaje y un resistor supresor en el sistema de ignición. (La mayoría de los buques emplean este cable y resistor pero puede ser necesario verificarlos para una operación correcta.) Otro método de supresión es el uso de supresores adicionales. Éstos se pueden obtener en la mayoría de los comercios CB/A de radio o electrónica.

Interferencia

La recepción de radio en un ambiente en movimiento es muy diferente de la recepción en un ambiente estacionado (casa). Es muy importante entender la diferencia.

La recepción AM se deteriorará cuando pase bajo un puente o cuando pase bajo líneas de alto voltaje. A pesar que banda AM está sujeta a ruidos medioambientales, tiene la habilidad de recibir a gran distancia. Esto es porque las señales de transmisión siguen la curvatura de la tierra y se rebotan de vuelta en la atmósfera superior.

SOLUCIÓN DE PROBLEMAS

Síntoma	Causa	Solución
No hay energía	La llave accesoria del buque no está encendida	Si la energía no está conectada adecuadamente al terminal accesorio del buque, cambia la llave de ignición a "ACC".
	El fusible está quemado	Reemplace el fusible
No hay sonido	El volumen está muy bajo	Ajuste el volumen a un nivel audible
	El cableado no está conectado adecuadamente	Verifique las conexiones de cables
Los botones de operación no funcionan	El microcomputador integrado no está operando adecuadamente debido al ruido	Presione el botón RESET
No se puede sintonizar a una estación de radio, la búsqueda automática no funciona	The antenna cable is not El cable de la antena no está conectado	Inserte el cable de la antena firmemente
	Las señales son muy débiles	Seleccione una estación manualmente

ESPECIFICACIONES

Radio FM

Cobertura de la Frecuencia (USA) 87.5 a 107.9 MHz
 Cobertura de la Frecuencia (Europe) 87.5 a 108 MHz
 Sensibilidad (S/N=30dB) 4µV
 Rechazamiento de la Imagen >45 dB
 Separación Estérea >25 dB

AM/MW

Cobertura de la Frecuencia (USA) 530-1720 kHz
 Cobertura de la Frecuencia (Europe) 522-1620 kHz
 Sensibilidad (S/N=20dB) 36 dB

General

Voltaje de Funcionamiento DC 12 Volts
 Poner a Tierra el Sistema Tierra Negativa
 Impedancia del Altavoz 4-8 ohmios por el canal
 Controles del Tono:
 Bajo (at 100 Hz) : ±10 dB
 Agudos (at 10 kHz) : ±10 dB
 Salida de Energía 40W x 4
 Dren Eléctrico 15 Ampere (max.)
 Dimensiones de Comando 5.15" (W) x 1.2" (D) x 3.7" (H)
 Dimensiones del Radio/Amplificador 8.35" (W) x 6.55" (D) x 2.4" (H)

INFORMATIONS SUR LA SECURITE

Lorsque vous êtes en bateau

Gardez le niveau de volume assez bas pour être conscient de votre environnement.

Protéger de l'eau

Ne submergez pas et n'exposez pas le produit directement à l'eau. Cela peut produire des court-circuits, incendies ou d'autres types de dommages.

Protéger des températures hautes

Exposition à des rayons de soleil directs peut produire des températures très hautes à l'intérieur de votre vaisseau. Donnez à l'intérieur le temps de se rafraîchir avant de commencer la reproduction.

Ne montez pas la radio près du compartiment du moteur.

Utiliser l'alimentation correcte

Ce produit est conçu pour opérer avec un système de pile négative terre 12 Volt DC.

AVERTISSEMENT :

- N'ouvrez pas, ne démontez pas et ne modifiez pas cet appareil. Cela peut résulter en un incendie, un court circuit ou endommager le produit.
- UTILISEZ LE STANDARD D'AMPERE CORRECT LORSQUE VOUS REMPLACEZ UN FUSIBLE. Sinon, cela peut résulter en un incendie, court circuit, ou endommager le produit.
- NE PAS INSTALLEZ DANS DES ENDROITS OU CELA PEUT INTERFERE AVEC L'OPERATION DU VEHICULE. Cela peut faire obstacle à la vision ou empêcher le mouvement et produire un accident sérieux.
- INSTALLEZ LE CABLAGE DE SORTE QU'IL NE SOIT PAS PINCE PAR DES ECROUS OU DES BORDS METALLIQUES FINS. Faites traverser le câble loin des parties amovibles ou des bords pointus fins. Cela évitera d'endommager le câblage. Si les câbles doivent passer par un trou métallique, utilisez une rondelle en caoutchouc pour évitez que le câble ne soit pas coupé par le bord métallique du trou. Nous recommandons aussi que vous matiez toute ouverture qui peut admettre l'eau.
- Choisissez un emplacement qui est plat et qui a de l'espace au-dessus de l'appareil pour éviter des dégâts et pour permettre la ventilation.
- Avant de percer des trous, inspectez avec soin la région sous et derrière la surface de montage où les engins seront montés pour assurer qu'ils n'interféreront pas avec des câbles existants, des conduites carburants, des réservoirs de carburant ou tout autre objet qui peut être endommagé.
- Débranchez toujours la borne de pile négative du véhicule pour éviter un court circuit accidentel pendant l'installation.

INSTALLATION

Avant de commencer

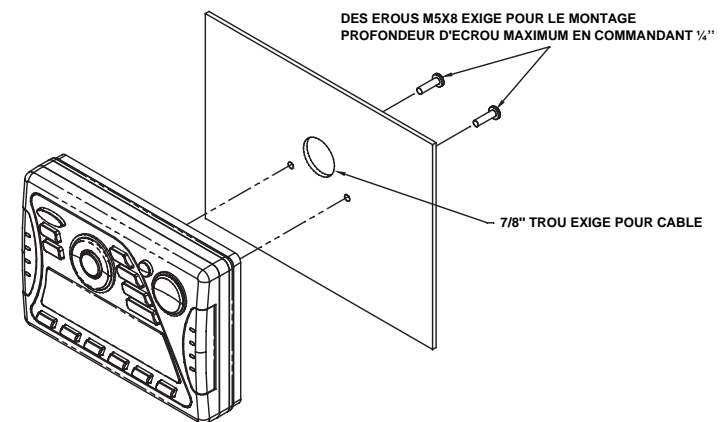
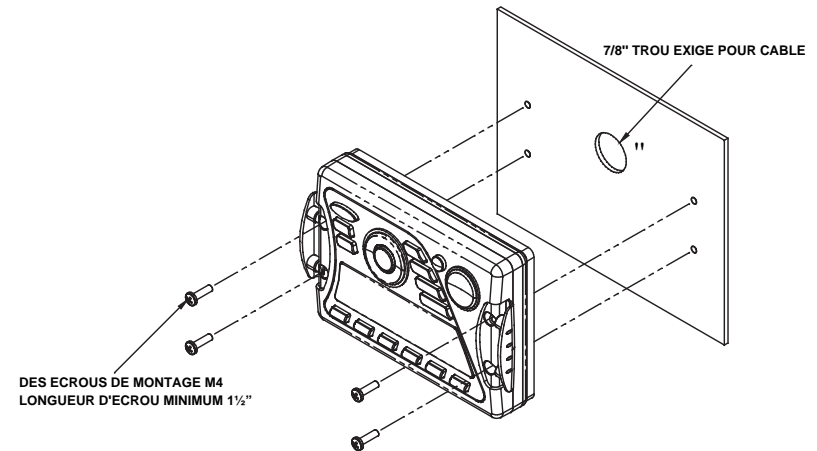
Avant de commencer, débranchez la borne négative de la pile.

Notes importantes

- Avant l'installation finale, essayez les branchements pour assurer que l'appareil est bien branché et que le système fonctionne.
- N'utilisez que les parties fournies avec l'appareil pour assurer une bonne installation. L'utilisation des parties non-autorisées peut résulter en un mauvais fonctionnement.
- Consultez avec votre détaillant le plus proche lorsque l'installation exige le perçage des trous ou d'autres modifications à votre vaisseau.
- Installez l'appareil là où il n'interfère pas avec la conduite et ne peut pas blesser les passagers lorsqu'il y a un arrêt abrupt.
- Evitez d'installer l'appareil là où il sera sujet à des températures hautes venant des rayons de soleil directs, de l'air chaud ou d'un réchaud ou bien là où il sera sujet à de la poussière excessive, des ordures ou de la vibration.

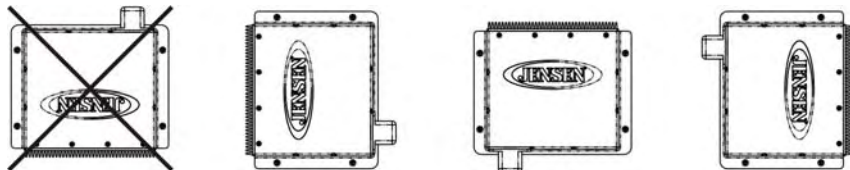
Montage du commandant cable

1. Choisissez un emplacement de montage pour le commandant câblé qui est propre et plat et qui permet au joint statique d'arrière de sceller la surface de montage.
2. Attachez le commandant câblé en utilisant l'une des méthodes de montage détaillée dans les diagrammes ci-dessous.



Montage de tuner/amplificateur

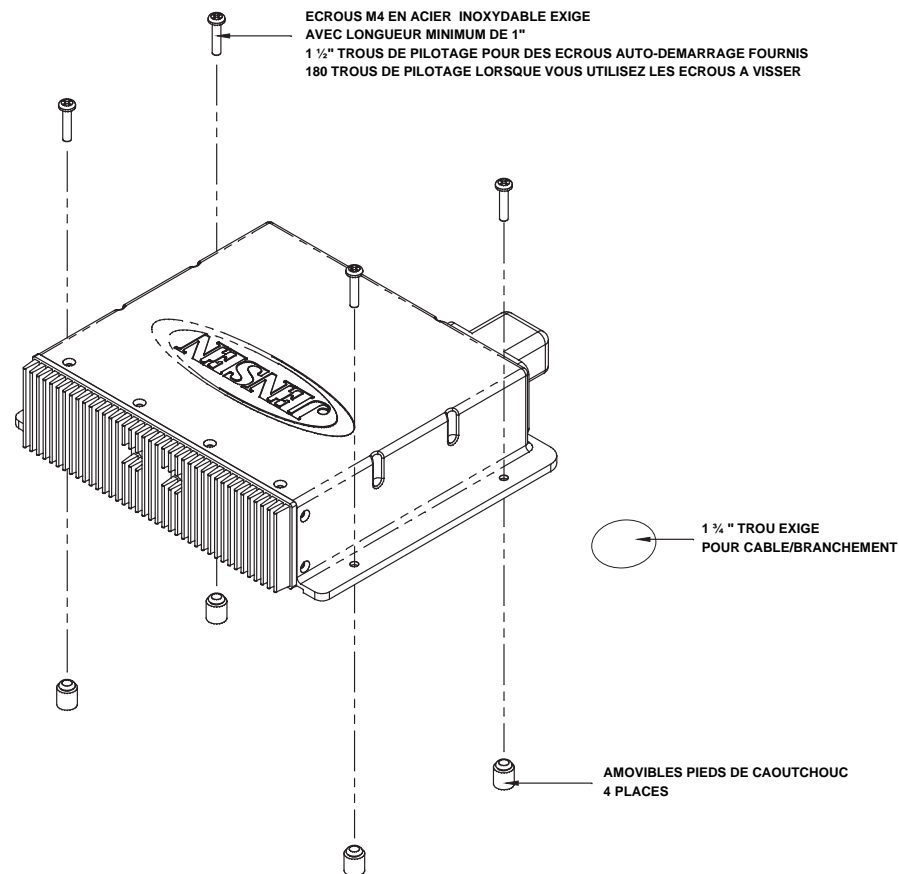
1. Choisissez un emplacement de montage pour le tuner/amplificateur qui va fournir assez de ventilation pour empêcher l'amplificateur de surchauffer. Le module tuner/amplificateur peut être monté soit dans une position verticale soit dans une position horizontale. Notez que lorsque vous montez dans une position verticale, ne montez pas avec les points de sortie de harnais en haut puisque l'eau peut accumuler dans le châssis dans ces régions.



2. Attachez les 4 pied de montage en caoutchouc, en bas de la dalle métallique du tuner/amplificateur. Cela va protéger contre l'humidité de surface et promouvoir une bonne ventilation pour le bassin de chaleur.
3. En utilisant les écrous les plus courts recommandés, montez le tuner/amplificateur comme montré dans le diagramme à droite.
4. Faites traverser le harnais et le câble du tuner/amplificateur partout dans le vaisseau comme exigé. Gardez les câbles et le harnais relâchés pour qu'ils ne soient pas trop serrés, comme cela peut endommager les câbles.
5. Suivez le diagramme de câblage avec soin et assurez-vous que tous les branchements sont sûrs et isolés avec raccords à sertir ou de la bande électrique pour assurer une bonne opération.
6. Après avoir terminé les branchements de câbles, rebranchez la borne négative de la pile et mettez l'appareil en marche pour confirmer l'opération (l'interrupteur accessoire du vaisseau doit être en marche). Si l'appareil ne fonctionne pas débranchez la pile, vérifiez le câblage et référez-vous au guide de dépannage au dos de ce guide.

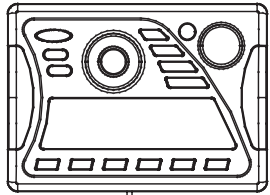
Rebrancher la pile

Lorsque le câblage est terminé, rebranchez la borne négative de la pile.

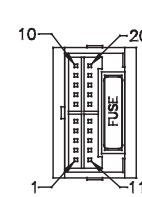
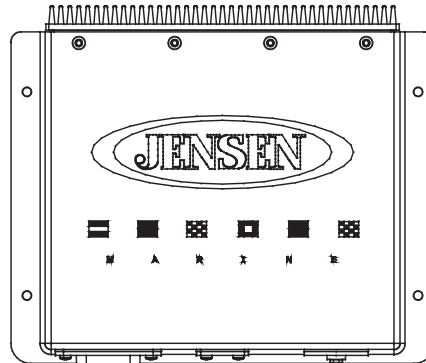


CÂBLAGE

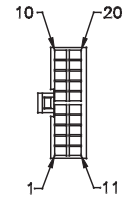
COMMANDANT CABLE



MODULE TUNER/AMPLIFICATEUR



VUE A-A
MONTRE DEPUIS LA VUE D'AIGUILLE



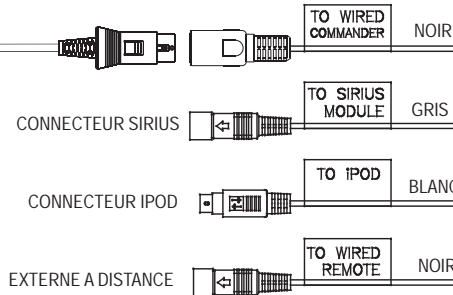
VUE B-B
VUE D'INSERTION DU FIL

CABLE D'EXTENSION

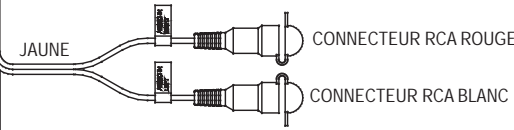


PRISE ANTENNE

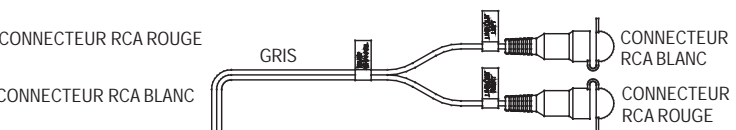
AIGUILLE	COULEUR DE FIL	DESCRIPTION
1	GRIS/NOIR	HAUT PARLEUR D'AVANT GAUCHE (-)
2	GRIS	HAUT PARLEUR D'AVANT GAUCHE (+)
3	VIOLET	HAUT PARLEUR D'AVANT DROITE (+)
4	VIOLET/NOIR	HAUT PARLEUR D'AVANT DROITE (-)
5	VIDE	PAS DE CONNECTION
6	VERT	HAUT PARLEUR D'ARRIERE GAUCHE (+)
7	VERT/NOIR	HAUT PARLEUR D'ARRIERE GAUCHE (-)
8	VIDE	PAS DE CONNECTION
9	NOIR/SHIELD	LIGNE DE PRE-AMPLIFICATEUR D'ARRIERE DEHORS COMMUN
10	ROUGE	LIGNE DE PRE-AMPLIFICATEUR D'ARRIERE DROITE DEHORS
11	BLANC	HAUT PARLEUR D'AVANT GAUCHE (+)
12	BLANC/NOIR	HAUT PARLEUR D'AVANT GAUCHE (-)
13	VIDE	PAS DE CONNECTION
14	BLEU	ANTENNE DE PUISSANCE
15	ROUGE	ALLUMAGE ACCESSOIRE
16	NOIR	TERRE
17	VIDE	PAS DE CONNECTION
18	VIDE	PAS DE CONNECTION
19	VIDE	PAS DE CONNECTION
20	BLANC	LIGNE DE PRE-AMPLIFICATEUR D'ARRIERE GAUCHE DEHORS



ENTREE D'AUDIO AUXILIAIRE



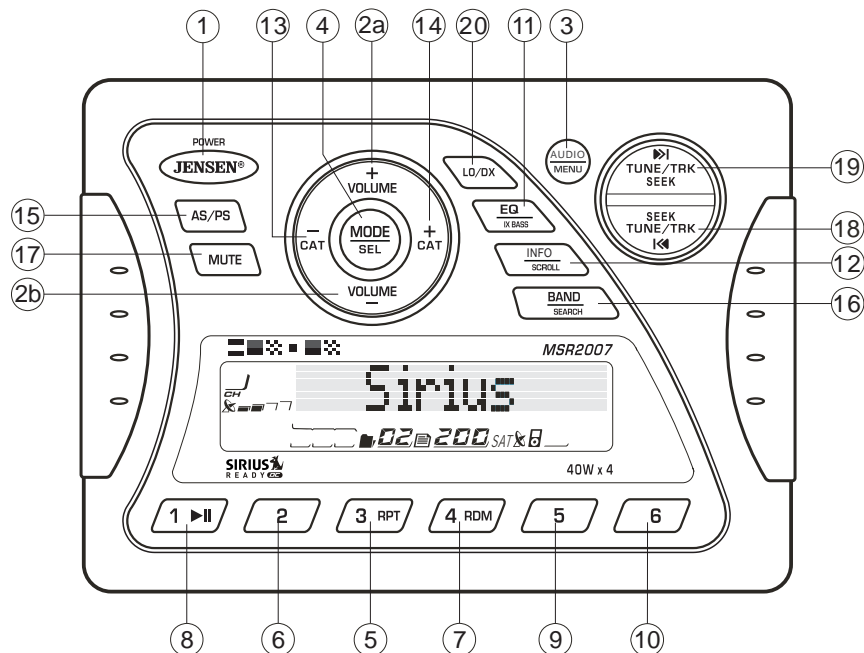
SORTIES AUDIO DE NIVEAU BAS



5,25

12,00 ± 50

OPERATION DE BASE



Puissance en marche/en arrêt

Appuyez sur n'importe quel bouton sur le panneau d'avant pour mettre l'appareil en marche. Appuyez sur le bouton **POWER** (1) pour mettre l'appareil en arrêt. L'appareil va reprendre la dernière mode (Tuner, Aux, etc.). Le bouton **POWER** est illuminé lorsque l'interrupteur +12DC est en puissance, peu importe si l'appareil est en marche ou non.

Contrôle de volume

Pour augmenter le volume, appuyez sur le bouton **VOLUME +** (2a). Pour diminuer le volume, appuyez sur le bouton **VOLUME -** (2b). Le niveau de volume maximum est 46.

Muet

Appuyez sur le bouton **MUTE** (17) sur le panneau de contrôle pour assourdir complètement la sortie audio. Appuyez de nouveau sur **MUTE** pour rétablir la sortie audio au niveau précédent.

Mode

Appuyez sur le bouton **MODE** (4) sur le panneau de contrôle pour sélectionner une mode d'opération différente, comme indiqué sur le panneau d'affichage. Des modes disponibles comprennent Tuner, Sirius, iPod et Aux In.

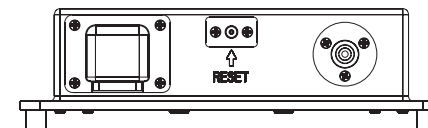
A NOTER : Les modes iPod et Sirius seront sautés si le module n'est pas installé.

Réinitialisation

Le bouton de réinitialisation doit être activée pour des raisons suivantes :

- Installation de l'appareil lorsque tout le câblage est terminé
- Les bouton de fonctions n'opère pas
- Symbole d'erreur sur l'affichage

Utilisez une bille ou un objet métallique fin pour appuyez sur le bouton de réinitialisation situé sur la boîte tuner.



Vous pouvez retrouver les réglages par défaut d'usine en utilisant la fonction RESUME situé sur le menu système. Avec YES clignotant, appuyez sur le bouton **MODE** (4) pour activer.

Menu Audio

Appuyez sur le bouton **AUDIO** (3) sur le panneau de contrôle pour accéder au menu Audio. Vous pouvez naviguer à travers le menu Audio en appuyant sur le bouton **AUDIO**. Lorsque l'article de menu désiré apparaît sur l'affichage ajustez l'option en appuyant sur les boutons **VOLUME +** et - (2) dans 5 secondes. L'appareil va automatiquement sortir du menu audio après 5 secondes d'inaction. Les articles de menu suivants peuvent être ajustés.

Niveau de basse

Utilisez les boutons **VOLUME** pour ajuster la gamme de niveau Basse de -6 à +6.

Niveau d'aigu

Utilisez les boutons **VOLUME** pour ajuster la gamme de niveau Aigu de -6 à +6.

Balance

Utilisez les boutons **VOLUME** pour ajuster la Balance entre les haut parleur de droite et de gauche de L12 (plein gauche) à R12 (plein droite).

Equilibreur

Utilisez les boutons **VOLUME** pour ajuster l'Equilibre entre les haut parleurs d'avant et d'arrière de R12 (plein arrière) à F12 (plein avant).

Menu système

1. Appuyez et maintenez l'appui sur le bouton **AUDIO** pendant plus de 3 secondes pour entrer dans le menu système. MENU apparaîtra sur l'affichage suivi par le premier article CONTRASTE.
2. Appuyez sur le bouton **TUNE/TRK >>|** ou **|<<** (19, 18) ou sur le bouton **AUDIO** pour naviguer à travers le menu système.
3. Appuyez sur les boutons **VOLUME +/-** (2) pour ajuster l'article menu sélectionné.
4. Appuyez sur le bouton **AS/PS** pour revenir immédiatement à l'opération précédente ou attendez 5 secondes pour revenir automatiquement.

Les articles suivants peuvent être ajustés :

- **CONTRAST (0-10)** : Réglez le contraste d'affichage à cristaux liquides.
- **LOW BATT (ON/OFF)** : Surveiller le voltage sur la ligne ACC.
- **AREA (Etats-Unis, AMERIQUE LATINE, EUROPE, OIRT)** : Réglez l'espacement de fréquence pour chaque région.
- **VOL PGM (0-46)** : Sélectionnez un volume automatique.
- **BEEP TONE (ON/OFF)** : Mettez le bip audible en marche/en arrêt (entendu lorsque les fonctions/boutons sont sélectionnés). *A NOTER : La tonalité bip en arrêt n'affectera pas la tonalité audible LOW BATT.*
- **RESUME** : Rendez le EEPROM aux valeurs de réglage par défaut d'usine et réinitialiser les réglages du tuner Sirius. YES va clignoter sur le panneau d'affichage à cristaux liquides pour confirmer. Appuyez sur **MODE** pour sélectionner.

Operation de pile basse

Si LOW BATT est réglé en marche, un alarme va sonner (8 bips toutes les 30 secondes) lorsque le voltage tombe à 10.8V (+/- 0.03). Un avertissement visuel (LOBA) apparaîtra clignotant (8 clignotements toutes les 30 secondes) dans le coin gauche en bas de l'affichage aux cristaux liquides.

A NOTER : OFF est le réglage par défaut pour LOW BATT. Si l'audio est assourdi et le volume est réglé à 0, le bip audible ne sera pas entendu.

Egaliseur

Appuyez sur le bouton **EQ** (11) pour mettre l'égaliseur en marche et pour sélectionner entre cinq courbes basse ou aigu pré-définies : OFF, POP, JAZZ, CLASSIC, BEAT, ROCK.

iX-Bass

Appuyez et maintenez l'appui sur le bouton **EQ/IX-BASS** (11) pour basculer l'intensité en marche/en arrêt. Lorsque vous écoutez la musique à des volumes bas, cette fonction va augmenter la gamme de basse pour compenser pour les caractéristiques de l'ouïe humaine.

Entrée auxiliaire

Pour accéder à un engin auxiliaire :

1. Branchez la platine audio portable aux câbles AUX IN au dos de la boîte tuner.
2. Appuyez sur le bouton **MODE** (4) pour sélectionner la mode Aux in.
3. Appuyez de nouveau sur le bouton **MODE** pour annuler la mode Aux in et passer à la mode suivante.

L'affichage aux cristaux liquides (LCD)

La fréquence courante et les fonctions activées sont montrées sur le panneau d'affichage aux cristaux liquides (23).

A NOTER : Les panneaux d'affichage aux cristaux liquides peuvent prendre du temps à répondre lorsqu'ils ont été exposés à des températures très basses pendant une période longue. En outre, la visibilité des numéros sur l'affichage aux cristaux liquides peut diminuer légèrement. L'affichage aux cristaux liquides va revenir à normal lorsque la température augmente et redevient normale.

Déroulement

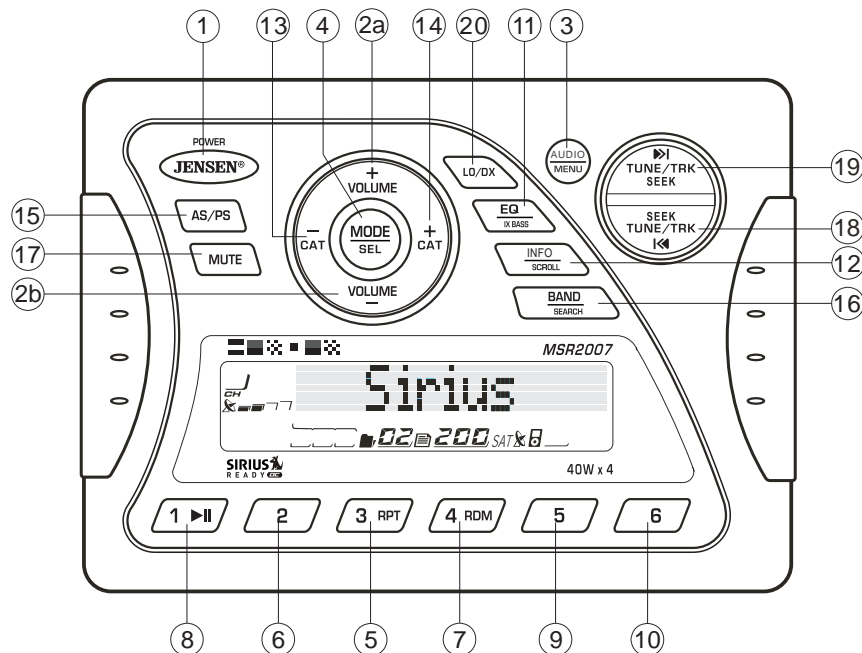
Lorsque l'information est trop longue pour être affichée sur l'affichage aux cristaux liquides, appuyez et maintenez l'appui sur le bouton **INFO/SCROLL** (12) pour voir le titre entier. L'information va se dérouler deux fois et puis revenir au texte abrégé.

Touche rapide pour sortie rapide

Dans les modes et conditions suivantes, appuyez sur le bouton **AS/PS** pour sortir rapidement de l'opération courante sans attendre le temps mort par défaut du système.

- Opération menu système
- Mode de recherche
- Opération menu audio

OPERATION TUNER



Sélectionnez une bande

Appuyez sur le bouton **BAND** (16) pour changer entre trois bandes FM et deux bandes AM (MW).

Syntonisation à la main

Appuyez sur le bouton **TUNE/TRK >>** ou **<<** (18, 19) pour chercher des stations vers le haut ou vers le bas, une station à la fois.

Syntonisation auto-recherche

Appuyez et maintenez l'appui sur le bouton **TUNE/TRK >>** ou **<<** pour automatiquement chercher la prochaine ou la précédente station forte.

Stations pré-réglées

Six boutons de pré-réglage numérotés mettent en mémoire et rappellent des stations pour chaque bande.

Mise en mémoire d'une station

Sélectionnez une bande (si nécessaire) et puis sélectionnez une station. Appuyez et maintenez l'appui sur un bouton de pré-réglage (5-10) pendant plus de 2 secondes. Le numéro de pré-réglage apparaîtra sur l'affichage.

Rappelez une station

Sélectionnez une bande (si nécessaire). Appuyez sur un bouton de pré-réglage (5-10) pour sélectionner la station mise en mémoire correspondante.

Mise en mémoire automatique/Balayage pré-réglé (AS/PS)

Mise en mémoire automatique

Sélectionnez une bande (si nécessaire). Appuyez et maintenez l'appui sur le bouton **AS/PS** (15) pendant plus de 3 secondes pour automatiquement sélectionner six stations fortes et les mettre en mémoire dans la bande courante. Les nouvelles stations remplacent les stations déjà mises en mémoire dans cette bande.

A NOTER : Pendant Auto Store (AS) le tuner va revenir par défaut à la mode Locale lorsqu'il balaye la bande. Après avoir balayé la bande une fois, l'appareil va changer à la mode Distant pour tout la syntonisation AS suivante.

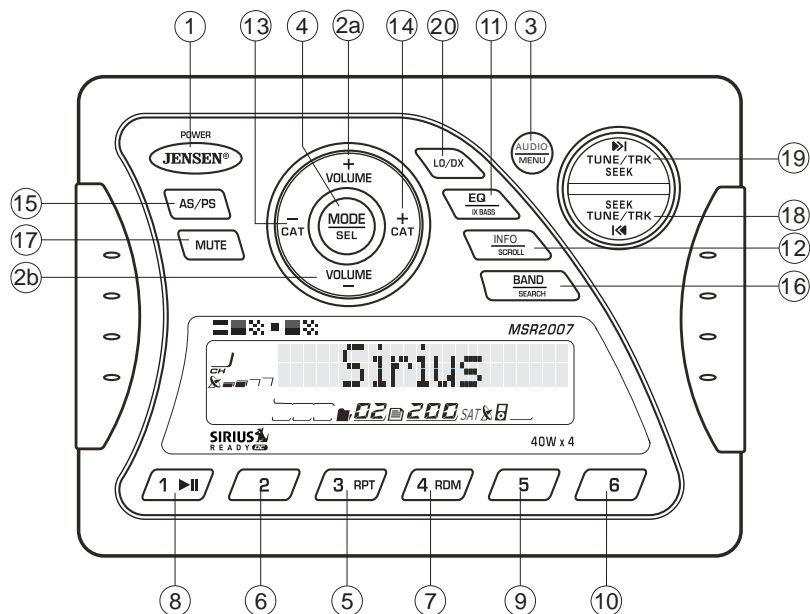
Balayage pré-réglé

Sélectionnez une bande (si nécessaire). Appuyez sur **AS/PS** (15) pour balayer toutes les stations mises en mémoire dans la bande courante. L'appareil va s'arrêter pendant dix secondes à chaque station pré-réglée. Appuyez de nouveau sur le bouton **AS/PS** pour arrêter le balayage et lorsque vous arrivez à la station désirée.

Réception locale/distante (LO/DX)

Pendant l'opération de radio, les signaux reçus sont normalement en mode stéréo comme indiqué par l'icône ST. Pourtant, lorsque les signaux sont faibles ou sporadiques vous pouvez activer la mode Locale (LOC) en appuyant sur le bouton **LO/DX** (20). Cette mode favorise l'accès à des stations locales dont les signaux sont plus forts, améliorant ainsi la réception radio. Appuyez de nouveau sur le bouton **LO/DX** pour terminer la mode de réception locale.

OPERATION RADIO SIRIUS



Changer à la mode Sirius (Exige un tuner Sirius facultatif)

Appuyez sur le bouton **MODE** (4) pour changer la mode à la mode radio Sirius.

Accéder à votre identité Sirius

1. En mode Sirius, appuyez et maintenez l'appui sur le bouton **BAND/SEARCH** (16) pour sélectionner la mode Directe.
2. Appuyez sur le bouton **MODE** pour activer la mode Directe.
3. Appuyez sur le bouton **MODE** pour chaque chiffre pour entrer « 000 ».
4. Appuyez de nouveau sur le bouton **MODE** pour confirmer. Ceci va afficher le numéro d'identité Sirius pour votre tuner.
5. Le numéro d'identité Sirius va se dérouler deux fois et se gèlera avec les 11 premiers chiffres affichés. Appuyez sur le bouton **INFO/SCROLL** pour afficher le chiffre qui reste.

Sélectionnez une bande

En mode Sirius, appuyez sur le bouton **BAND** (16) pour accéder aux groupes de chaînes pré-réglées par l'utilisateur Sirius dans l'ordre suivant : SR1, SR2, SR3.

Syntonisation de catégories

1. Appuyez sur les boutons **CAT +/-** (13, 14) pour changer de catégories. Chaque titre de catégorie et titre de chanson seront affichés en incréments.
2. Lorsque vous êtes dans la mode catégorie, appuyez de nouveau sur les boutons **CAT +/-** pour voir les noms de catégories. (Le numéro de chaîne le plus bas dans la catégorie choisie sera toujours la première chaîne syntonisée par défaut).

3. Appuyez sur le bouton **MODE** (4) ou les boutons **TUNE/TRK >>|** ou **|<<** (18, 19) pour choisir les chaînes désirées dans cette catégorie.
4. Appuyez sur les boutons **TUNE/TRK** pour sélectionner une chaîne dans la catégorie choisie.
5. Appuyez sur le bouton **MODE** pour confirmer la sélection de chaîne.

Syntonisation de chaîne vers le haut/vers le bas

Appuyez sur le bouton **TUNE/TRK >>|** ou **|<<** pour chercher une chaîne. Appuyez et maintenez l'appui sur le bouton **TUNE/TRK** pour chercher rapidement.

Mise en mémoire des chaînes pré-réglées

Les boutons de pré-réglage (5-10) peuvent être utilisés pour mettre en mémoire 6 chaînes permettant un accès commode à vos chaînes favorites.

Programmer des chaînes

1. Sélectionnez la chaîne que vous voulez mettre en mémoire.
2. Appuyez et maintenez l'appui sur un bouton de pré-réglage (5-10) jusqu'à ce que le numéro pré-réglé correspondant apparaisse.
3. Répétez les démarches 1 et 2 ci-dessus pour programmer des chaînes supplémentaires.

Syntonisation rapide

Appuyez sur l'un des boutons de pré-réglage (5-10) pour sélectionner une chaîne pré-réglée directement.

Recherche de chaîne accès direct

1. Appuyez et maintenez l'appui sur le bouton **BAND/SEARCH** (16) pour accéder à la mode Syntonisation Directe. DIRECT-T apparaît sur l'affichage pendant quelques secondes.
2. Appuyez sur le bouton **MODE** (4) pour confirmer.
3. Appuyez sur les boutons **TUNE/TRK >>|** ou **|<<** (18, 19) pour vous déplacer entre les trois chiffres.
4. Utilisez les boutons **VOLUME +/-** pour sélectionner un numéro pour chaque position.
5. Appuyez sur le bouton **MODE** pour confirmer chaque chiffre.
6. Appuyez de nouveau sur le bouton **MODE** pour syntoniser le fichier sélectionné.

Affichage d'information alternatif

Appuyez sur le bouton **INFO/SCROLL** (12) pour changer l'information affichée dans l'ordre suivant : Nom de l'artiste, titre de chanson, catégorie, nom de la chaîne.

Force du signal satellite

L'affichage va indiquer la force de réception satellite comme montré ci-dessous.

Signal Strength	Strength Display
No Signal	
Weak	
Good	
Excellent	

OPERATION IPOD

Cet appareil est équipé d'une fonction « prête pour iPod » qui vous permettra de contrôler votre iPod (si compatible) en utilisant les boutons du panneau de contrôle. Les versions iPod suivantes sont soutenues :

- iPod 3G (progiciels 2.2 seulement)
- iPod Mini
- iPod 4G
- iPod Photo
- iPod Nano
- iPod 5G (Video)

A NOTER : iPod et le câble iPod sont vendus séparément.

Accéder la mode iPod

L'appareil va automatiquement changé à la mode iPod lors qu'un iPod est branché au câble iPod.

Pour revenir au menu iPod de n'importe quelle source, appuyez sur le bouton **MODE** sur le panneau de contrôle ou la télécommande jusqu'à ce que iPod apparaisse sur l'affichage.

Mettre l'iPod en marche/en arrêt

La puissance iPod se met en marche automatiquement lorsqu'un iPod est branché au câble iPod à 30 aiguille, aussi longtemps que le véhicule est allumé. Vous pouvez mettre l'iPod en arrêt en le débranchant du câble iPod ou mettant l'allumage en arrêt. Lorsque l'allumage est mis en arrêt, l'iPod fera une pause et puis entrera dans la mode sommeil après 2minutes. Pendant que l'iPod est branché, la puissance ne peut pas être mis en marche ou en arrêt à partir d'iPod lui-même.

A NOTER : L'iPod va se charger d'une manière continue lorsqu'il est branché à l'appareil, aussi longtemps que l'allumage du véhicule est en marche.

Contrôler la reproduction

Faire pause pendant la reproduction

Pendant la reproduction, appuyez sur le bouton **1/>>||** pour faire pause. « Pause » va apparaître dans l'affichage. Appuyez de nouveau sur le bouton **1/>>||** pour reprendre la reproduction.

Reproduction répétée

Pendant la reproduction, appuyez sur le bouton **3/RPT** (5) pour répéter la chanson actuelle. « Repeat » va apparaître sur l'affichage aux cristaux liquides. Appuyez de nouveau sur **3/RPT** pour arrêter la répétition de la reproduction.

Reproduction au hasard

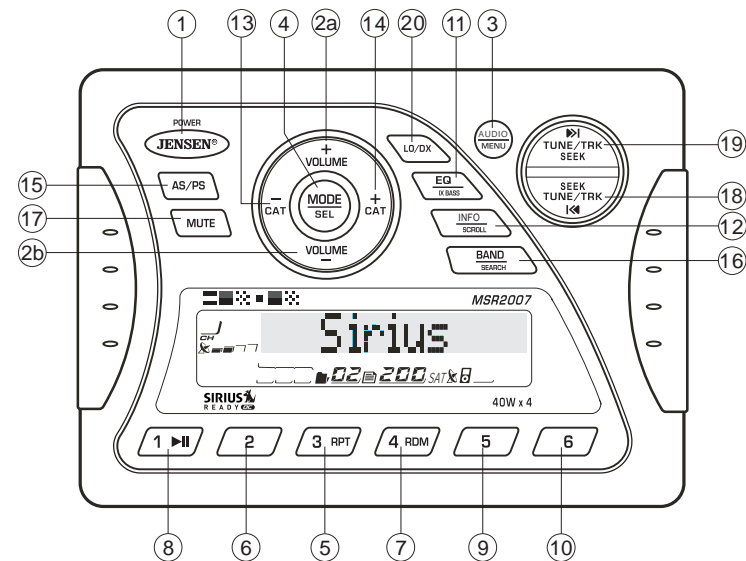
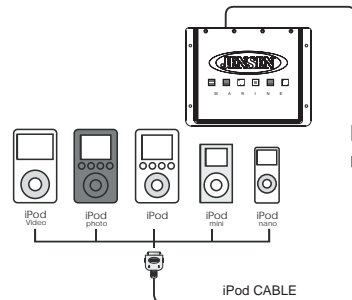
Pendant la reproduction, appuyez sur le bouton **4/RDM** (7) pour jouer toutes les chansons dans la catégorie actuelle dans un ordre mélangé. La reproduction au hasard commencera

dès que la chanson actuelle est terminée. « Shuffle » va apparaître sur l'affichage aux cristaux liquides. Appuyez de nouveau sur **4/RDM** pour arrêter la reproduction au hasard.

Sélection des pistes

Pendant la reproduction, appuyez sur les boutons **TUNE/TRK >>|** ou **|<<** pour jouer la piste prochaine ou précédente dans la catégories actuelle. Appuyez une fois sur le **TUNE/TRK |<<** pour jouer la chanson depuis la position de départ ou appuyez deux fois sur le bouton **TUNE/TRK |<<** pour jouer la piste précédente. Appuyez et maintenez l'appui sur les boutons **TUNE/TRK >>|** ou **|<<** pour faire avance ou recul rapide.

A NOTER : Si vous appuyez et maintenez l'appui sur les bouton TUNE/TRK >>| ou |<< pour changer la chanson actuelle à la chanson prochaine ou précédente, vous allez sortir de la mode avance et recul rapide.



Affichage d'information alternatif

Appuyez sur le bouton **INFO/SCROLL** (12) pour changer l'information affichée dans l'ordre suivant : ARTIST NAME (Nom de l'artiste) > SONG TITLE (titre de la chanson) > FOLDER NAME (nom du répertoire).

Mode recherche

Appuyez et maintenez l'appui sur le bouton **BAND/SEARCH** (16) pour entrer dans la mode de recherche iPod. Appuyez de nouveau sur **BAND/SEARCH** pour accéder à la liste de reproduction, l'artiste, le genre, la chanson ou le compositeur. Lorsque la mode de recherche est sélectionnée, appuyez sur le bouton **MODE** (4) pour confirmer la sélection. Utilisez les boutons de **VOLUME +/-** (2) pour naviguer à travers les listes de sélection diverses. Appuyez sur **MODE** (4) pour faire votre sélection finale.

SOIN ET ENTRETIEN

- Gardez le produit sec. S'il devient moite, essuyez tout de suite. Des liquides peuvent contenir des minéraux qui peuvent endommager les circuits électroniques.
- Gardez le produit loin de la poussière et des ordures, qui peut prématurément usé les parties.
- Manipuler le produit doucement et avec soin. Si vous le laissez tomber, cela peut endommager les bords de circuits, et peut produire un mauvais fonctionnement du produit.
- Essuyez le produit de temps en temps avec un tissu moite pour qu'il paraisse neuf. N'utilisez pas de produits chimiques corrosifs, des détergents, ou des solutions de nettoyage pour nettoyer le produit.
- Utilisez et gardez le produit dans des températures normales. Des hautes températures peuvent raccourcir la vie des produits électroniques, endommager les piles, et fondre les plastiques.

Allumage

La source de bruit le plus commun dans la réception est l'allumage. Cela résulte de l'emplacement de la radio près du système d'allumage (le moteur). Ce type de bruit peut être facilement détecté parce que son intensité variera avec la vitesse du moteur.

Normalement, le bruit de l'allumage peut être supprimé en utilisant un fil d'allumage haut voltage du type suppression de la radio et un résistor suppresseur dans le système d'allumage. (La plupart des vaisseaux utilise ce fil et résistor, mais il peut être nécessaire de les contrôler pour une opération bonne). Une autre méthode de suppression est d'utiliser les suppresseurs de bruit supplémentaires. On peut les procurer des magasins de radio et fournitures électroniques CB/A.

Interférence

La réception radio dans un environnement mobile est très différent de la réception radio dans un environnement stationnaire. Il est très important de comprendre cette différence.

La réception AM va se détériorer lorsque vous passez sous un pont ou sous les lignes de haut voltage. Bien que AM soit sujet à des bruits environnementaux, il a la capacité de recevoir à une grande distance. Ceci parce que les signaux de transmission suivent la courbe de la terre et sont réfléchis par l'atmosphère supérieur.

DÉPANNAGE

Symptôme	Cause	Solution
Pas de puissance	L'interrupteur accessoire du vaisseau n'est pas en marche	Si l'alimentation est bien branchée à la borne accessoire du vaisseau, changez le commutateur d'allumage à ACC
	Le fusible est sauté	Remplacez le fusible
Pas de son	Le volume est trop bas	Ajustez le volume à un niveau audible
	Le câblage n'est pas bien branché	Vérifiez les connexions
Les clés d'opération ne fonctionnent pas	L'ordinateur encastré ne fonctionne pas à cause du bruit	Appuyez sur le bouton RESET
Ne peut pas syntoniser à une station de radio, auto-recherche ne fonctionne pas	Le câble d'antenne n'est pas branché	Insérez le câble d'antenne
	Les signaux sont trop faibles	Sélectionnez une station à la main

SPECIFICATIONS

Radio FM

Assurance de Fréquence (USA)	87.5 à 107.9 MHz
Assurance de Fréquence (Europe)	87.5 à 108 MHz
Sensibilité (S/N=30dB)	4µV
Rejet d'Image	>45 dB
Séparation Stéréo	>25 dB

AM/MW

Chaîne de Fréquence (USA)	530-1720 kHz
Chaîne de Fréquence (Europe)	522-1620 kHz
Sensibilité (S/N=20dB)	36 dB

Généralités

Tension d'Opération	DC 12 Volts
Fondre le Système	La Terre Négative
Impédance de Haut Parleurs	4-8 4 ohms par canal
Commandes de Tonalité:	
Basse (at 100 Hz)	: ±10 dB
Aigu (at 10 kHz)	: ±10 dB
Rendement de Puissance	40W x 4
Drainage Courant	15 Ampere (max.)
Commandant Dimensions5.15" (W) x 1.2" (D) x 3.7" (H)
Tuner/Amp Dimensions8.35" (W) x 6.55" (D) x 2.4" (H)



ASA Electronics Corporation

www.asaelectronics.com

© 2007 ASA Electronics Corporation

v.030907

Free Manuals Download Website

<http://myh66.com>

<http://usermanuals.us>

<http://www.somanuals.com>

<http://www.4manuals.cc>

<http://www.manual-lib.com>

<http://www.404manual.com>

<http://www.luxmanual.com>

<http://aubethermostatmanual.com>

Golf course search by state

<http://golfingnear.com>

Email search by domain

<http://emailbydomain.com>

Auto manuals search

<http://auto.somanuals.com>

TV manuals search

<http://tv.somanuals.com>