



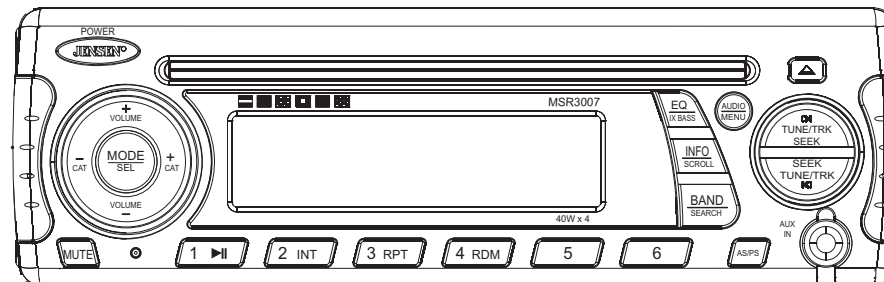
M A R I N E

MSR3007

MARINE AUDIO SYSTEM

Installation and Operation Manual

Manual de la Instalación y Operación / Guide d'installation et d'opération



CONTENTS

Safety Information	1
Installation	2
Wiring.....	3
Basic Operation	4
Tuner Operation.....	6
CD Player Operation.....	7
SIRIUS Radio Operation.....	8
iPod Operation	9
Care and Maintenance.....	10
Troubleshooting.....	10
Specifications	11

CONTENIDO

Información de Seguridad.....	13
Instalación	14
Cableado.....	15
Operación Básica	16
Operación del Sintonizador	18
Operación del Equipo de CD	19
Operación de Radio Sirius.....	20
Operación del iPod	21
Cuidado y Mantenimiento	22
Solución de Problemas	22
Especificaciones.....	23

TABLE DES MATIÈRES

Informations sur la securite.....	25
Installation	26
Cablage.....	27
Operation de base.....	28
Operation tuner	30
Operation platine CD	31
Operation radio Sirius	32
Operation iPod	33
Soin et entretien.....	34
Dépannage	34
Specifications	35

SAFETY INFORMATION

When Boating

Keep the volume level low enough to be aware of your surroundings.

Protect from Water

Do not expose the product directly to water, as this can cause electrical shorts, fire or other damage.

Protect from High Temperatures

Exposure to direct sunlight for an extended period of time can produce very high temperatures inside your vessel. Give the interior a chance to cool down before starting playback.

Do not mount radio within close proximity of engine compartment.

Use the Proper Power Supply

This product is designed to operate with a 12 volt DC negative ground battery system.

Protect the Disc Mechanism

Avoid inserting any foreign objects into the disc slot. Misuse may cause malfunction or permanent damage due to the precise mechanism of this unit.

CAUTION:

THIS MOBILE CD PLAYER IS A CLASS I LASER PRODUCT. THIS UNIT USES A VISIBLE/ INVISIBLE LASER BEAM WHICH COULD CAUSE HAZARDOUS RADIATION IF EXPOSED DIRECTLY. BE SURE TO OPERATE THE MOBILE CD PLAYER AS INSTRUCTED.

USE OF CONTROLS OR ADJUSTMENTS OR PERFORMANCE OR PROCEDURES OTHER THAN THOSE SPECIFIED HEREIN MAY RESULT IN HAZARDOUS RADIATION EXPOSURE.

DO NOT OPEN COVERS AND DO NOT REPAIR BY YOURSELF. PLEASE REFER SERVICING TO A QUALIFIED TECHNICIAN.

WARNING:

- TO REDUCE THE RISK OF FIRE OR ELECTRIC SHOCK, DO NOT EXPOSE THIS EQUIPMENT DIRECTLY TO WATER.
- TO REDUCE THE RISK OF FIRE OR ELECTRIC SHOCK AND INTERFERENCE, USE ONLY THE RECOMMENDED ACCESSORIES.


DISC NOTES

Depending on the recording status, conditions of the disc, and the equipment used for recording, some CD-Rs/CD-RWs may not play on this unit. For more reliable playback, please adhere to the following recommendations:

- Use CD-RWs with speed 1x to 4x and write with speed 1x to 2x.
- Use CD-Rs with speed 1x to 8x and write with speed 1x to 2x.
- Do not play a CD-RW which has been written more than 5 times.

Compatible Disc Types

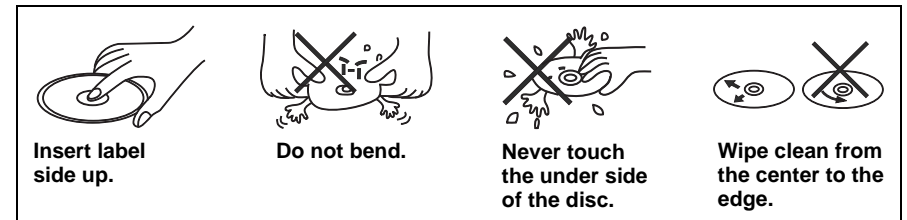
Table 1: General Disc Information

Disc Type	Logo	Diameter/ Playable Sides	Playback Time
Audio CD		12 cm single side	74 minutes

NOTE: CD-R and CD-RW discs will not play unless the recording session is closed and the CD is finalized.

Disc Maintenance

- A dirty or defective disc may cause sound dropouts while playing. Before playing, wipe the disc using a clean cloth, working from the center hole towards the outside edge. Never use benzene, thinners, cleaning fluids, anti-static liquids or any other solvent.



- Be sure to use only round CDs for this unit and do not use any special shape CDs. Use of special shape CDs may cause the unit to malfunction.
- Do not stick paper or tape on the disc. Do not use CDs with labels or stickers attached or that have sticky residue from removed stickers.
- Do not expose discs to direct sunlight or heat sources.

NOTE: A disc may become scratched (although not enough to make it unusable) depending on how you handle it and other conditions in the usage environment. These scratches are not an indication of a problem with the player.

INSTALLATION

Before You Begin

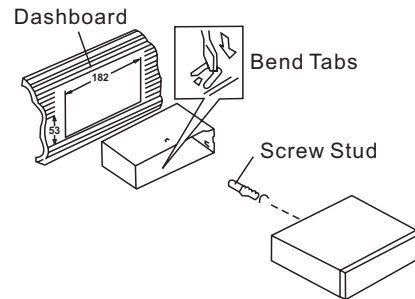
- 1. Disconnect Battery**
Before you begin, always disconnect the battery negative terminal.
- 2. Remove Transport Screws**

Important Notes

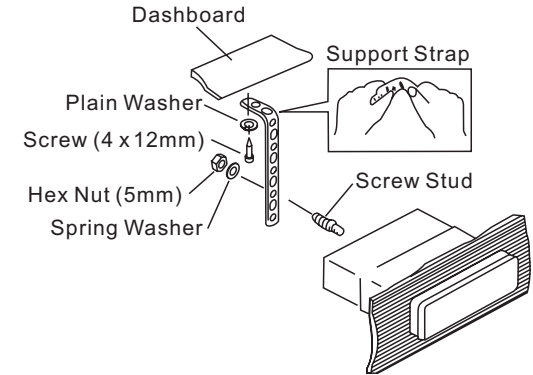
- Before final installation, test the wiring connections to make sure the unit is connected properly and the system works.
- Use only the parts included with the unit to ensure proper installation. The use of unauthorized parts can cause malfunctions.
- Consult with your nearest dealer if installation requires the drilling of holes or other modifications to your vessel.
- Install the unit where it does not interfere with driving and cannot injure passengers if there is a sudden or emergency stop.
- If the installation angle exceeds 30° from horizontal, the unit might not give optimum performance.
- This unit is **not waterproof** and is intended for interior mounting applications only. Exterior mounting of the unit requires use of an ASA approved marine housing.
- Avoid installing the unit where it will be subject to high temperatures from direct sunlight, hot air, or from a heater, or where it would be subject to excessive dust, dirt or vibration.

DIN Front Mount

1. Slide the mounting sleeve off of the chassis if it has not already been removed. If it is locked into position, use the removal keys (supplied) to disengage it. The removal keys are depicted in "Removing the Unit" on page 2.
2. Check the dashboard opening size by sliding the mounting sleeve into it. If the opening is not large enough, carefully cut or file as necessary until the sleeve easily slides into the opening. Do not force the sleeve into the opening or cause it to bend or bow. Check that there will be sufficient space behind the dashboard for the radio chassis.
3. Locate the series of bend tabs along the top, bottom and sides of the mounting sleeve. With the sleeve fully inserted into the dashboard opening, bend as many of the tabs outward as necessary to firmly secure the sleeve to the dashboard.
4. Place the radio in front of the dashboard opening so the wiring can be brought through the mounting sleeve.
5. Follow the wiring diagram carefully and make certain all connections are secure and insulated with crimp connectors or electrical tape to ensure proper operation.
6. After completing the wiring connections, turn the unit on to confirm operation (vessel accessory switch must be on). If the unit does not operate, recheck all wiring until the problem is corrected. Once proper operation is achieved, turn the accessory switch off and proceed with final mounting of the chassis.

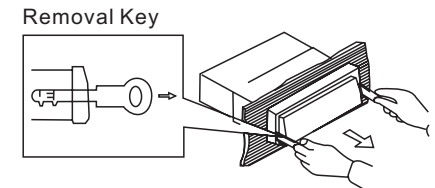


7. Carefully slide the radio into the mounting sleeve making sure it is right-side-up until it is fully seated and the spring clips lock it into place.
8. Attach one end of the perforated support strap (supplied) to the screw stud on the rear of the chassis using the hex nut and spring washer provided. Fasten the other end of the perforated strap to a secure part of the dashboard either above or below the radio using the screw and plain washer provided. Bend the strap, as necessary, to position it. **CAUTION:** The rear of the radio must be supported with the strap to prevent damage to the dashboard from the weight of the radio or improper operation due to vibration.
9. Test radio operation by referring to the operating instructions for the unit.



Removing the Unit

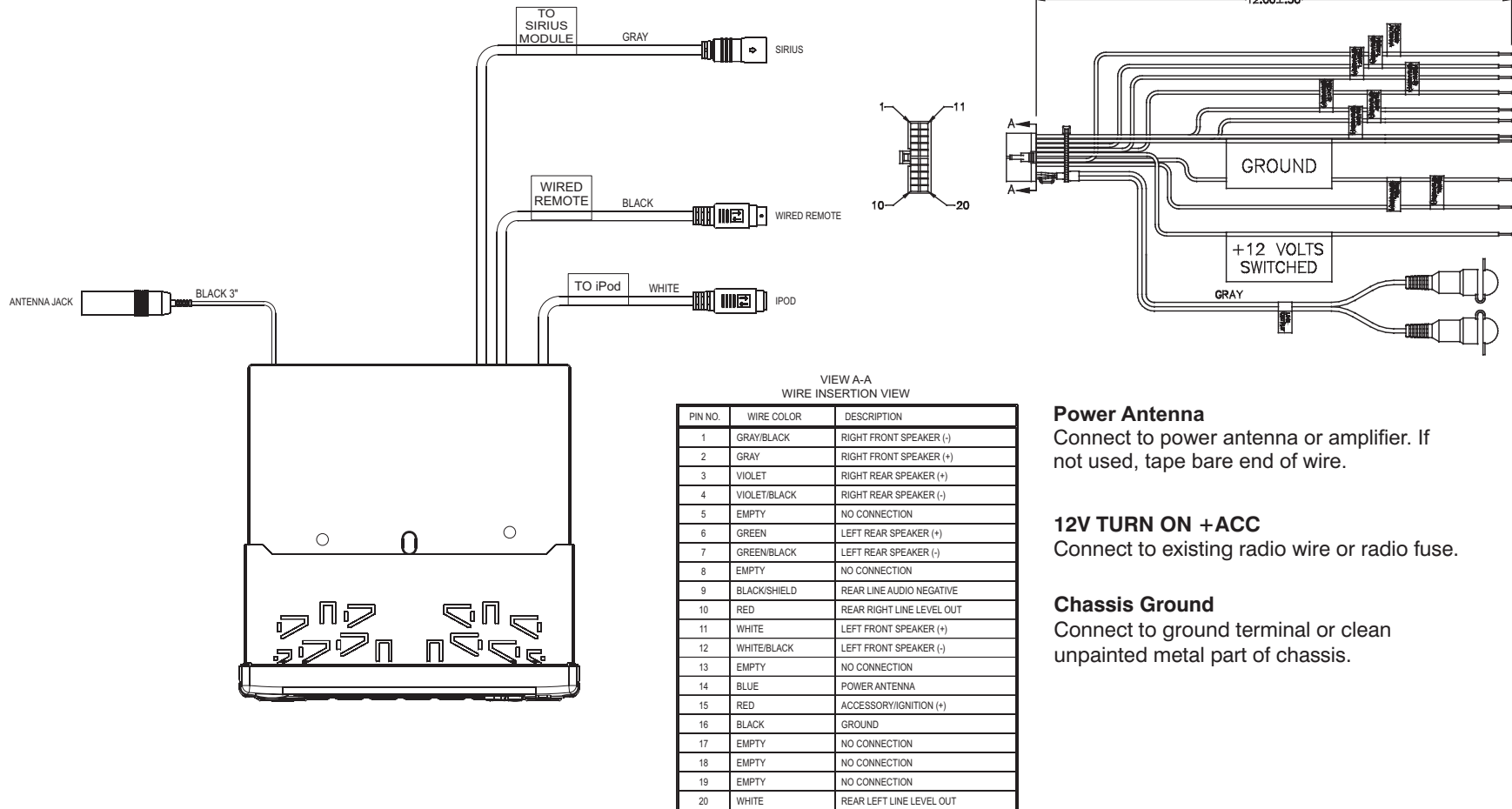
To remove the radio after installation, pull back the rubber covers, insert the removal keys straight back until they click, and then pull the radio out. If removal keys are inserted at an angle, they will not lock properly to release the unit.



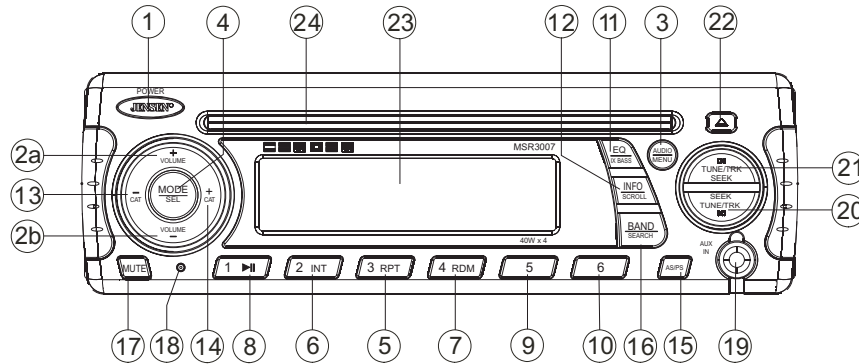
Reconnect Battery

When wiring is complete, reconnect the battery negative terminal.

WIRING



BASIC OPERATION



Power On/Off

Press any button on the front panel to turn the unit on. Press the **POWER** button (1) to turn the unit off.

- If a disc is being inserted when the radio power is off and the ACC (accessory switch) is on, the unit will automatically power up and playback will start.
- If a CD is present, playback resumes at the last position in memory before the ignition was turned off or the **POWER** button was pressed.
- If no CD is present, the unit will resume at the last mode selected (Tuner, Aux, etc.). The **POWER** button is illuminated whenever the IGN lead (red wire) is powered, regardless of whether the unit is on or off.

Volume Control

To increase the volume, press the **VOLUME +** button (2a). To decrease the volume, press the **VOLUME -** button (2b).

Mute

Press the **MUTE** button (17) on the control panel to mute the audio output. Press **MUTE** again to restore the audio output to the previous level.

Mode

Press the **MODE** button (4) on the control panel to select a different mode of operation, as indicated on the display panel. Available modes include Tuner, SIRIUS, CD, iPod and AUX In (optional Auxiliary Input).

NOTE: CD, IPOD, or SIRIUS mode will be skipped if the module is not installed.

Reset

The reset button should be activated for the following reasons:

- initial installation of the unit when all wiring is completed
- function buttons do not operate
- error symbol on the display

Use a ball point pin or thin metal object to press the **RESET** button (18). This may be necessary should the unit display an error code.

You can recover factory default settings using the RESUME function located on the system menu. With "YES" flashing, press the **MODE** button (4) to activate.

Audio Menu

Press the **AUDIO** button (3) on the control panel to access the audio menu. You can navigate through the audio menu items by pressing the **AUDIO** button repeatedly. Once the desired menu item appears on the display, adjust that option by pressing the **VOLUME +/-** buttons (2) within 5 seconds. The unit will automatically exit the audio menu after five seconds of inactivity. The following menu items can be adjusted.

Bass Level

Use the **VOLUME** buttons to adjust the Bass level range from "-6" to "+6".

Treble Level

Use the **VOLUME** buttons to adjust the Treble level range from "-6" to "+6".

Balance

Use the **VOLUME** buttons to adjust the Balance between the left and right speakers from "L12" (full left) to "R12" (full right).

Fader

Use the **VOLUME** buttons to adjust the Fader between the rear and front speakers from "R12" (full rear) to "F12" (full front).

Volume Level

Use the **VOLUME** buttons to adjust the Volume level.

System Menu

1. Press and hold the **AUDIO** button (3) for more than 3 seconds to enter the system menu. "MENU" will appear on the display, followed by the first menu item, "CONTRAST."
2. Press the **TUNE/TRK >>|** or **|<<** button (21, 20) or press the **AUDIO** button repeatedly to navigate the system menu and select the desired item.
3. Press the **VOLUME +/-** buttons (2) to adjust the selected menu item.
4. Press the **AS/PS** button to return to the previous operation immediately or wait for 5 seconds to return automatically.

The following items can be adjusted:

- CONTRAST (0 – 10): Set LCD contrast.
- LOW BATT (ON/OFF): Monitor voltage on ACC line
- LOCAL: This mode favors access to local stations whose signals are much stronger, thereby improving radio reception.
- Distant: This is terminate the local receive mode to normal receive mode
- AREA (USA/LATIN/EUROPE): Set frequency spacing for various regions.
- VOL PGM (0 – 46): Select an automatic turn-on volume.
- BEEP TONE (ON/OFF): Turn the audible beep ON/OFF (heard when functions/buttons are selected). *NOTE: Beep tone off will not affect LOW BATT audible tone.*
- RESUME: Return the EEPROM to factory default set up values and reset the Sirius Tuner Settings. "Yes" will blink on the LCD to confirm. Press **MODE** to select.

LOW BATTERY Operation

If LOW BATT is set to "ON", a alarm will sound (8 beeps every 30 sec) when the voltage drops to 10.8V (+/- 0.03V). A visual warning (LOBA) will appear flashing (8 flashes every 30 sec) in the lower left corner of the LCD display.

NOTE: "OFF" is the default setting for LOW BATT. If the audio is muted or the volume is set to 0, the audible beep will not be heard.

Equalizer

Press the **EQ** button (11) to turn on the equalization function and select between five pre-defined bass and treble curves: OFF > POP > JAZZ > CLASSIC > BEAT > ROCK.

iX-Bass

Press and hold the **EQ/iX-BASS** button (11) toggle true loudness on/off. When listening to music at low volumes, this feature will boost the bass and treble ranges to compensate for the characteristics of human hearing.

Auxiliary Input

To access an auxiliary device:

1. Connect the portable audio player to the AUX IN on the front panel (19).
2. Press the **MODE** button (4) to select Aux In mode.
3. Press **MODE** again to cancel Aux In mode and go to the next mode.

Liquid Crystal Display (LCD)

The current frequency and activated functions are shown on the LCD panel (23).

NOTE: LCD panels may take longer to respond when subjected to cold temperatures for an extended period of time. In addition, the visibility of the numbers on the LCD may decrease slightly. The LCD display will return to normal when the temperature increases to a normal range.

Scroll

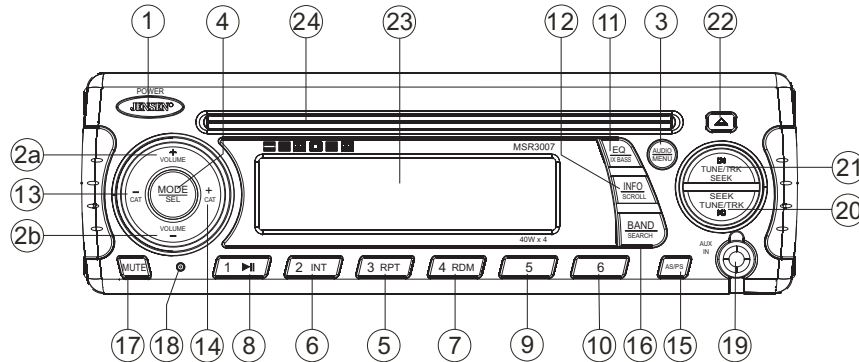
When the information is too long to be displayed on the LCD, press and hold the **INFO/SCROLL** button (12) to view the entire title. The information will scroll twice and then return to abbreviated text.

Quick Exit Hot Key

In the following modes and conditions, press the **AS/PS** button < 3 seconds to quickly exit the current operation without waiting for the system default time out:

- System menu operation
- Searching mode
- Audio menu operation

TUNER OPERATION



Preset Scan

Select a band (if needed). Press **AS/PS** (15) to scan stations stored in the current band. The unit will pause for ten seconds at each preset station. Press **AS/PS** again to stop scanning when the desired station is reached.

Select a Band

Press the **BAND** button (16) to change between three FM bands and two AM (MW) bands.

Manual Tuning

Press the **TUNE/TRK >>|** or **|<<** buttons (20, 21) to seek stations up/down step by step.

Auto Seek Tuning

Press and hold the **TUNE/TRK >>|** or **|<<** buttons (20, 21) to automatically seek the next or previous strong station.

Preset Stations

Six numbered preset buttons store and recall stations for each band.

Store a Station

Select a band (if needed), then select a station. Press and hold a preset button (5-10) for two seconds. The preset number will appear in the display.

Recall a Station

Select a band (if needed). Press a preset button (5-10) to select the corresponding stored station.

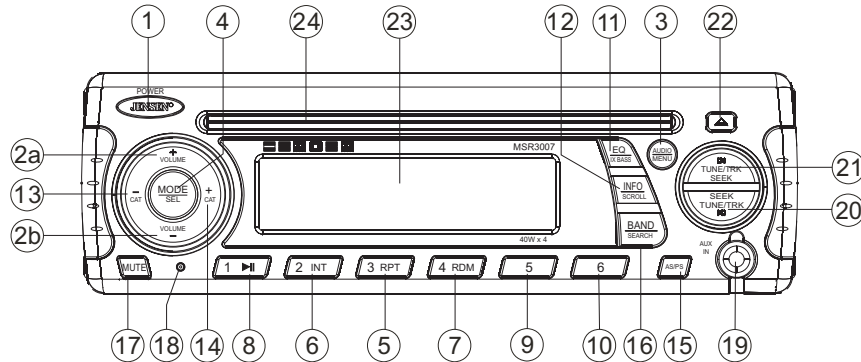
Automatically Store / Preset Scan (AS/PS)

Automatically Store

Select a band (if needed). Press and hold the **AS/PS** (15) button for more than three seconds to automatically select six strong stations and store them in the current band. The new stations replace any stations already stored in that band.

NOTE: During Auto Store (AS), the tuner will default to "Local" mode while scanning the band initially. After scanning the entire band once, the unit will switch to "Distant" mode for all subsequent Auto Store tuning.

CD PLAYER OPERATION



Inserting and Ejecting a Disc

Insert a disc, label-side up, into the disc slot (24) with the unit turned on. The unit will automatically draw the disc in and play the first track on the disc.

Press the eject ▲ button (22) to stop disc play and eject the disc. The unit does not have to be turned on to eject the disc.

Controlling Disc Playback

Selecting Tracks

Press the **TUNE/TRK >>|** (21) or **TUNE/TRK <<|** (20) to advance to the next track on the CD. The selected track number will appear on the display. *Press and hold* the **TUNE/TRK >>|** or **<<|** button to fast forward or fast reverse through the disc. CD play starts when the button is released.

Play/Pause Disc Playback

Press the **1/>>||** button (8) to suspend disc play. Press the **1/>>||** button again to resume disc Play.

Previewing Tracks

Press the **2/INT** button (6) to play the first 10 seconds of each track sequentially. Press **2/INT** again to stop Intro Scan and resume normal play at the current track.

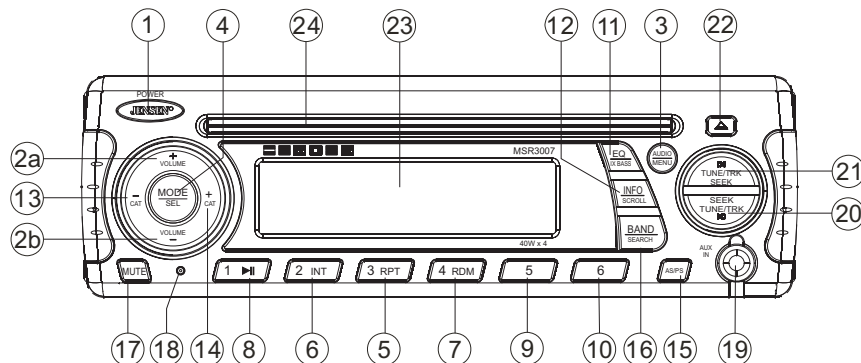
Repeat Play

Press the **3/RPT** button (5) during disc play to repeat play the current track. Press **3/RPT** again to stop repeat play.

Random Play

Press the **4/RDM** button (7) during disc play to play all tracks on a CD in random, shuffled order. Press **4/RDM** again to stop random play.

SIRIUS RADIO OPERATION



Switching to SIRIUS Mode

Press the **MODE** button (4) to change the mode to Sirius radio mode.

Accessing your SIRIUS ID

1. In Sirius mode, *press and hold* the **BAND/SEARCH** button (16) to select DIRECT mode.
2. Press the **MODE** button (4) to activate Direct mode.
3. Press the **MODE** button for each digit to enter "000".
4. Press **MODE** again to confirm. This will display the Sirius ID number for your tuner.
5. The Sirius ID number will scroll twice and then freeze with the first 11 digits on the display. Press the **INFO/SCROLL** button (12) to display the remaining digit.

Selecting a Band

In Sirius mode, press the **BAND** button (16) to access the Sirius user-preset channel groups in the following order: SR-1, SR-2, SR-3.

Category Tuning

1. Press the **CAT - /+** buttons (13/14) to change the category. Each category title and song title will be displayed in increments.
2. While in the category mode, press the **CAT - /+** buttons again to view category names. (The lowest channel number within the chosen category will always be the default first channel tuned.)
3. Press the **MODE** button (4) or the **TUNE/TRK** |<< / >>| buttons (20/21) to choose desired channels in that category.
4. Press the **TUNE/TRK** buttons to select a channel within the chosen category.
5. Press **MODE** to confirm channel selection.

Channel Up/Down Tuning

Press the **TUNE/TRK** |<< / >>| buttons (20/21) to search for a channel. *Press and hold* the **TUNE/TRK** buttons to fast search.

Storing Preset Channels

The preset buttons (5-10) can be used to store 6 channels, allowing convenient access to your favorite channels.

Programming Channels

1. Select the channel you want to store in memory.
2. *Press and hold* a preset button (5-10) until the corresponding preset button number appears.
3. Repeat steps 1 and 2 to program additional channels.

Quick Tuning

Press one of the six preset buttons (5-10) to select a preset channel directly.

Channel Direct Access Searching

1. *Press and hold* the **BAND/SEARCH** button (16) to access Direct Tune mode. "DIRECT-T" appears on the display for a few seconds.
2. Press the **MODE** button (4) to confirm.
3. Press the **TUNE/TRK** |<< / >>| buttons (20/21) to move between the three digits.
4. Use the **VOLUME +/-** buttons (2) to select a number for each position.
5. Press the **MODE** button to confirm each digit.
6. Press the **MODE** button again to tune to the selected file.

Alternate Display Information

Press **INFO/SCROLL** button (12) to change the display information in the following order: ARTIST NAME > SONG TITLE > CATEGORY > CHANNEL NAME.

Satellite Signal Strength

The display will indicate satellite reception strength as shown below.

Signal Strength	Strength Display
No Signal	& - - - -
Weak	& - - - -
Good	& - - - -
Excellent	& - - - -

iPod OPERATION

This unit is equipped with an iPod ready function that will allow you to control your iPod (if compatible) using the control panel control buttons. The following iPod versions are supported:

- iPod 3G (firmware version 2.2 only)
- iPod Mini
- iPod 4G
- iPod Photo
- iPod Nano
- iPod 5G (Video)

NOTE: iPod and iPod Cable sold separately.

Accessing iPod Mode

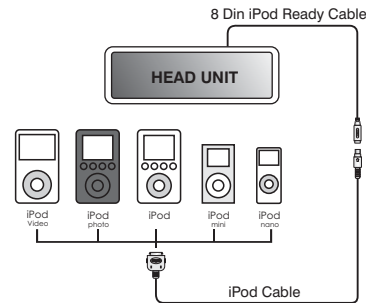
The unit will automatically switch to iPod mode when an iPod is plugged into the iPod cable.

To return to the iPod menu from any other source, press the **MODE** button (4) on the control panel or remote control until "iPod" appears on the display.

Turning the iPod On/Off

The iPod power turns on automatically when an iPod is connected to 30-pin iPod cable, as long as the vehicle ignition is turned on. You can turn the iPod off by disconnecting it from the cable or by turning the ignition off. When the ignition is turned off, the iPod will pause and then enter sleep mode after 2 minutes. While the iPod is connected, the power cannot be turned on or off from the iPod itself.

NOTE: The iPod will continuously recharge when connected to the unit, as long as the vehicle ignition is turned on.



Controlling Playback

Pausing Playback

During playback, press the **1/>>||** button (8) to pause the iPod player. "Pause" will appear on the LCD. Press **1/>>||** again to resume playback.

Repeat Play

During playback, press the **3/RPT** button (5) to repeat the current song. "Repeat" will appear on the LCD. Press **3/RPT** again to stop repeat playback.

Random Play

During playback, press the **4/RDM** button (7) to play all songs in the current category in random order. Random play will begin once the current song has finished playing. "Shuffle" will appear on the LCD. Press **4/RDM** again to stop random playback.

Selecting Tracks

During playback, press the **TUNE/TRK |<< / >>|** button (20/21) to play the previous or next track in the current category. Press the **TUNE/TRK |<<** button (20) once to play the song from the start position or press **TUNE/TRK |<<** twice to play the previous track.

Press and hold the **TUNE/TRK |<< / >>|** button (20/21) to fast reverse/forward the song.

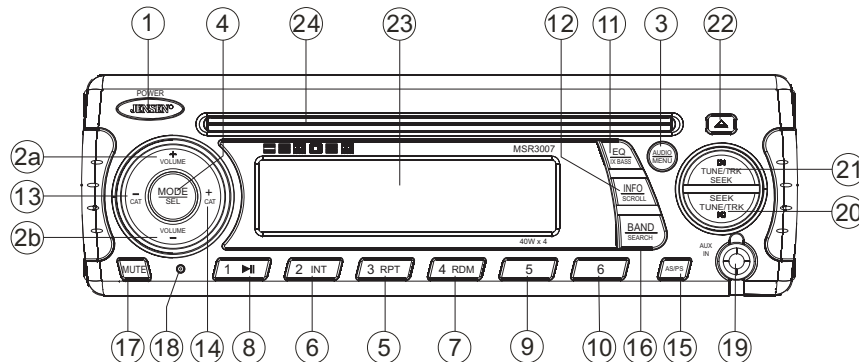
NOTE: If you press and hold the TUNE/TRK |<< / >>| button to change the current song to the previous/next song, you will exit fast reverse/forward mode.

Alternate Display Information

Press **INFO/SCROLL** button (12) to change the display information in the following order: ARTIST NAME > SONG TITLE > FOLDER NAME.

Search Mode

Press and hold the **BAND/SEARCH** button (16) to enter iPod search mode. Press **BAND/SEARCH** again to access Playlist, Artist, Album, Genre, Song, or Composer (consecutively). When search mode is selected, press the **MODE** button (4) to confirm selection. Use the **VOLUME +/-** buttons (2) to navigate through various list selections. Press **MODE** (4) to make your final selection.



CARE AND MAINTENANCE

- Keep the product dry. If it does get wet, wipe it dry immediately. Liquids might contain minerals that can corrode the electronic circuits.
- Keep the product away from dust and dirt, which can cause premature wear of parts.
- Handle the product gently and carefully. Dropping it can damage circuit boards and cases, and can cause the product to work improperly.
- Wipe the product with a dampened cloth occasionally to keep it looking new. Do not use harsh chemicals, cleaning solvents, or strong detergents to clean the product.
- Use and store the product only in normal temperature environments. High temperature can shorten the life of electronic devices, damage batteries, and distort or melt plastic parts.

Ignition

The most common source of noise in reception is the ignition system. This is a result of the radio being placed close to the ignition system (engine). This type of noise can be easily detected because it will vary in intensity of pitch with the speed of the engine.

Usually, the ignition noise can be suppressed considerably by using a radio suppression type high voltage ignition wire and suppressor resistor in the ignition system. (Most vessels employ this wire and resistor but it may be necessary to check them for correct operation.) Another method of suppression is the use of additional noise suppressors. These can be obtained from most CB/A radio or electronic supply shops.

Interference

Radio reception in a moving environment is very different from reception in a stationary environment (home). It is very important to understand the difference.

AM reception will deteriorate when passing under a bridge or when passing under high voltage lines. Although AM is subject to environmental noise, it has the ability to be received at great distance. This is because broadcasting signals follow the curvature of the earth and are reflected back by the upper atmosphere.

TROUBLESHOOTING

Symptom	Cause	Solution
No power	The vessel's accessory switch is not on	If the power supply is properly connected to the vessel's accessory terminal, switch the ignition key to "ACC".
	The fuse is blown	Replace the fuse.
Disc cannot be loaded or ejected	Presence of CD disc inside the player	Remove the disc in the player and insert the new one.
	Inserting the disc in reverse direction	Insert the compact disc with the label facing upward.
	Compact disc is extremely dirty or disc is defective	Clean the disc or try to play a new one.
	Condensation	Leave the player off for an hour or so, then try again.
No sound	Volume is too low	Adjust volume to audible level.
	Wiring is not properly connected.	Check wiring connections.
The operation keys do not work	Control panel not properly installed	Reinstall control panel.
	The built-in microcomputer is not operating properly due to noise	Press the RESET button.
Sound skips	The installation angle is more than 30 degrees.	Adjust the installation angle to less than 30 degrees.
	The disc is dirty or defective.	Clean the disc and try to play again or use new disc.
Cannot tune to radio station, auto-seek does not work	The antenna cable is not connected.	Insert the antenna cable firmly.
	The signals are too weak.	Select a station manually.

SPECIFICATIONS

CD

Signal to Noise Ratio ≥ 75 dB
Channel Separation : More than 50 dB
Frequency Response : 20 Hz - 20 kHz

FM Radio

Frequency Coverage (USA) 87.5 to 107.9 MHz
Frequency Coverage (Europe) 87.5 to 108 MHz
Sensitivity (S/N=30dB) $4\mu\text{V}$
Image Rejection >45 dB
Stereo Separation >25 dB

AM/MW

Frequency Range (USA) 530-1720 kHz
Frequency Range (Europe) 522-1620 kHz
Sensitivity (S/N=20dB) 36 dB

General

Operating Voltage DC 12 Volts
Grounding System Negative Ground
Speaker Impedance 4-8 ohms per channel
Tone Controls:
 Bass (at 100 Hz) : ± 10 dB
 Treble (at 10 kHz) : ± 10 dB
Power Output 40W x 4
Current Drain 15 Ampere (max.)
Dimensions 80 (W) x 183 (D) x 58 (H)

INFORMACIÓN DE SEGURIDAD

Cuando Navegue

Mantenga el volumen lo suficientemente bajo para escuchar a su alrededor.

Protéjalo del Agua

No sumerja o exponga el producto directamente al agua, pues puede causar cortos eléctricos, incendios o daños.

Protéjalo contra las Altas Temperaturas

Exposición a luz solar directa por un periodo extendido de tiempo puede producir muy altas temperaturas dentro de su buque. Deje que el interior se enfríe antes de iniciar la reproducción.

No monte un radio en las proximidades del compartimiento del motor.

Utilice la Alimentación de Energía Adecuada

Este producto está diseñado para operar con un sistema de baterías de 12 voltios de Corriente Continua negativa conectado a tierra.

Proteja el Mecanismo del Disco

Evite insertar cualquier objeto extraño dentro de la ranura del disco. Un uso equivocado causa mal funcionamiento o daño permanente debido al mecanismo de precisión de esta unidad.

CUIDADO:

ESTE REPRODUCTOR DE CD MÓVIL ES UN PRODUCTO LÁSER DE PRIMERA CLASE. LA UNIDAD UTILIZA UN RAYO LÁSER VISIBLE/INVISIBLE CUYA EXPOSICIÓN DIRECTA PODRÍA CAUSAR RADIACIÓN PELIGROSA. ASEGÚRESE DE OPERAR EL REPRODUCTOR DE CD MÓVIL COMO SE DETALLA.

EL USO DE CONTROLES O AJUSTES O DESEMPEÑOS O PROCEDIMIENTOS DISTINTOS A AQUELLOS ESPECIFICADOS AQUÍ PUEDEN PROVOCAR EN UNA PELIGROSA EXPOSICIÓN A LA RADIACIÓN.

NO ABRA COBERTURAS O TAPAS Y NO LO REPARE USTED MISMO. POR FAVOR, LLÉVELO AL SERVICIO DE UN TÉCNICO CALIFICADO.

ADVERTENCIA:

- PARA REDUCIR EL RIESGO DE INCENDIO O CHOQUE ELÉCTRICO, NO EXPONGA ESTE EQUIPO DIRECTAMENTE AL AGUA.
- PARA REDUCIR EL RIESGO DE INCENDIO O CHOQUE ELÉCTRICO E INTERFERENCIA, UTILICE SOLAMENTE LOS ACCESORIOS RECOMENDADOS.


Notas Sobre Discos

Algunos CD-Rs/CD-RWs pueden no funcionar en esta unidad dependiendo del estado de grabación, las condiciones del disco y el equipo usado para grabar. Para reproducciones más confiables, por favor siga estas recomendaciones:

- Use CD-RWs con velocidad 1x a 4x y grabe con velocidad 1x a 2x.
- Use CD-Rs con velocidad 1x a 8x y grabe con velocidad 1x a 2x.
- No reproduzca CD-RWs que hayan sido grabados más de cinco veces.

Tipos Compatibles del Disco

Table 1: Información General del Disco

Tipo de Disco	Logo	Diámetro/Lados Reproducibles	Tiempo de Reproducción
CD de Audio		Lado simple de 12 cm.	74 minutos

NOTA: CD-R y CD-RW no se reproducirán al menos que la sesión de grabación esté cerrada y el CD finalizado.

Mantenimiento del Disco

- Un disco sucio o defectuoso puede causar saltos mientras se está reproduciendo. Antes de reproducir un CD, pase una tela limpia desde el agujero central hacia los bordes externos. Nunca utilice bencina, aguarrás, líquidos de limpieza, líquidos antiestática o ningún otro solvente.



- Asegúrese de usar sólo CDs redondos en esta unidad y no use ninguna otra forma especial de CDs. Usar CDs de formas especiales pueden causar el mal funcionamiento de la unidad.
- No pegue papel o cinta en el disco. No pegue etiquetas o autoadhesivos al CD y quite todos los residuos pegajosos de etiquetas despegadas.
- No exponga discos a luz solar directa o fuentes de calor.

NOTA: Un disco puede estar rayado (tal vez no lo suficiente para quedar inutilizado) dependiendo de cómo lo maneja y otras condiciones en el ambiente de uso. Estos rayones no indican problemas con el reproductor.

INSTALACIÓN

Antes de Empezar

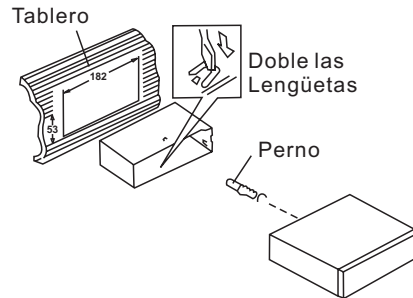
1. **Desconecte la Batería**
Antes de empezar, siempre desconecte el terminal negativo de la batería.
2. **Quite Tornillos de Transporte**

Notas Importantes

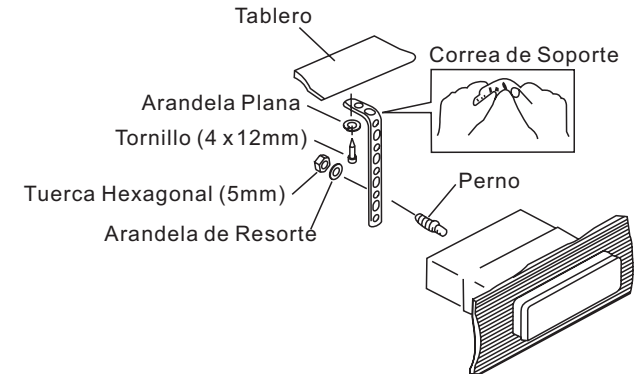
- Antes de la instalación final, pruebe las conexiones de cables para asegurarse de que la unidad esté conectada adecuadamente y el sistema funcione.
- Utilice solamente las partes incluidas con la unidad para asegurarse una instalación adecuada. El uso de partes no autorizadas puede causar mal funcionamiento.
- Consulte su revendedor más cercano si la instalación requiere taladrar agujeros u otras modificaciones a su buque.
- Instale la unidad donde no interfiera con el manejo y no pueda herir a ningún pasajero si se frena repentinamente o de emergencia.
- Si el ángulo de instalación excede los 30° de horizontalidad, la unidad puede no tener un rendimiento óptimo.
- Esta unidad **no es impermeable** y está destinada solamente a interiores. El montaje exterior de la unidad requiere usar una cubierta marina aprobada por ASA.
- Evite instalar la unidad donde sea sometida a altas temperaturas debido a luz directa del sol, aire caliente o del calentador, o donde reciba polvo, suciedad o vibración en exceso.

Montaje Delantero de DIN

1. Deslice la manga de montaje fuera del chasis si aún no ha sido quitada. Si está trabada, utilice las llaves para quitarla (provistas) para soltarla. Las llaves para quitar están descriptas en Quitando la Unidad.
2. Verifique el tamaño de apertura del tablero deslizando la manga de montaje adentro del mismo. Si la apertura no es lo suficientemente grande, cuidadosamente corte o lime hasta que la manga se deslice dentro de la apertura. No fuerce la manga al introducirla en la apertura o provoque que se doble. Verifique que haya suficiente espacio detrás del tablero para el chasis del radio.
3. Localice la serie de lengüetas para doblar en la parte superior, inferior y costados de la manga de montaje. Con la manga completamente insertada en la apertura del tablero, doble hacia afuera todas las lengüetas que sean necesarias para que quede sujeta firmemente al tablero.
4. Ubique el radio frente de la apertura del tablero de manera tal que los cables puedan pasar por la manga de montaje.
5. Siga el diagrama de cableado detalladamente y asegúrese de que todas las conexiones estén seguras y aisladas con conectores crimpados o cinta aisladora para asegurar una instalación adecuada.
6. Luego de completar las conexiones del cableado, encienda la unidad para confirmar la operación (el interruptor accesorio del buque debe estar encendido). Si la unidad no

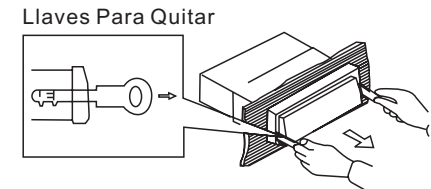


- opera, verifique nuevamente todas las conexiones de cables hasta que se solucione el problema. Una vez que se alcanza una operación correcta, apague el interruptor accesorio y proceda con el montaje final del chasis.
7. Cuidadosamente deslice el radio dentro de la manga de montaje hasta que esté completamente colocado y que las presillas se traben en su lugar, asegurándose que el lado correcto esté hacia arriba.
 8. Adjunte un extremo de la correa de soporte perforada (provista) al perno en la parte trasera del chasis utilizando la tuerca hexagonal y la arandela de resorte provistas. Asegure el otro extremo de la correa perforada a una parte segura del tablero, ya sea arriba o abajo del radio, utilizando el tornillo y las arandelas planas provistos. Doble la correa hasta colocarla en la posición necesaria. **CUIDADO:** La parte trasera del radio debe estar soportada con la correa para prevenir daño al tablero debido al peso del radio o prevenir una operación incorrecta debido a la vibración.
 9. Verifique la operación del radio leyendo las instrucciones de operación para la unidad.



Quitando la Unidad

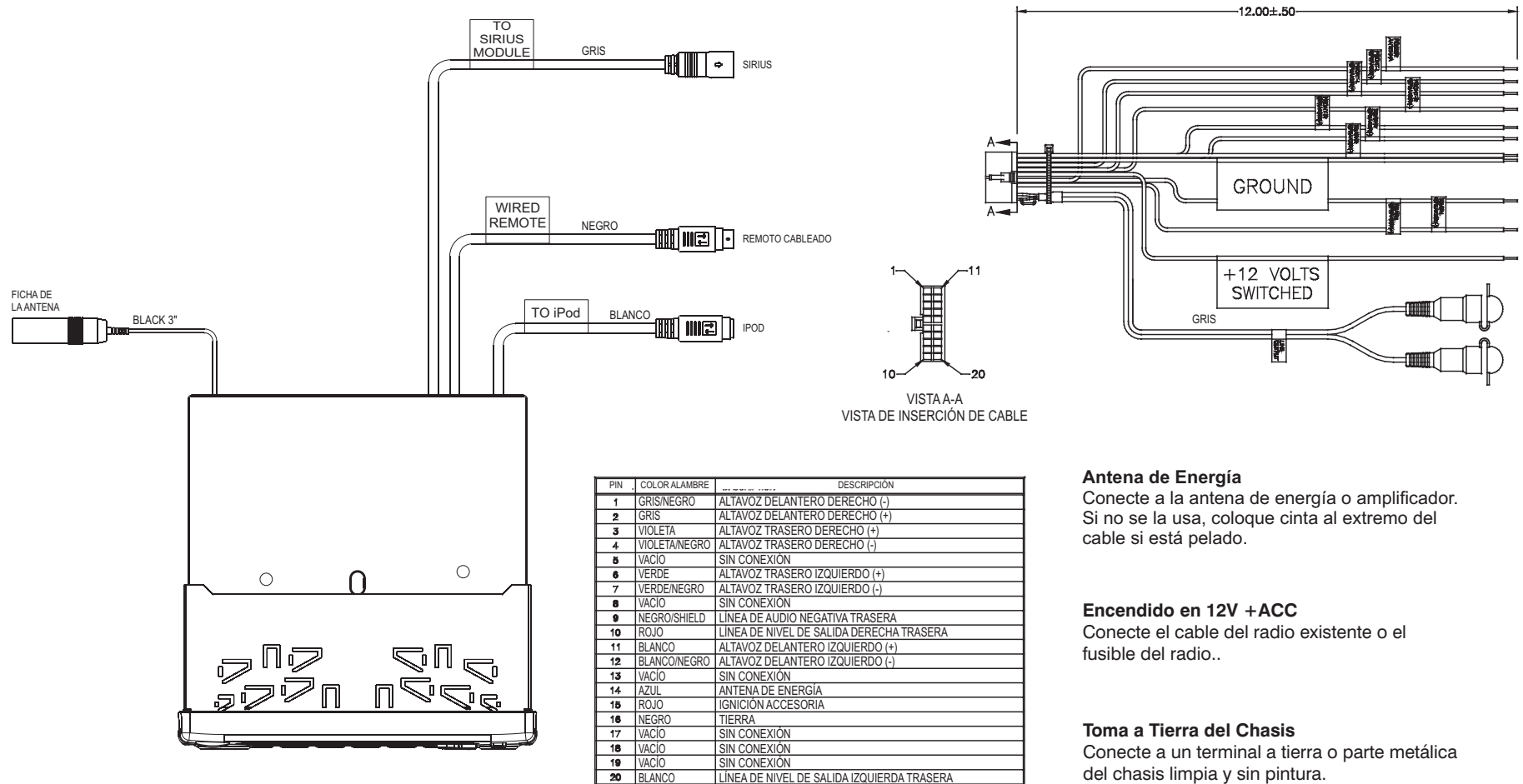
Para quitar el radio luego de la instalación, jale los cobertores de goma, inserte las llaves para quitar derecho hacia atrás hasta que suenen en un "clic", y luego jale el radio hacia afuera. Si las llaves para quitar se insertan en ángulo, no se fijarán adecuadamente para liberar la unidad.



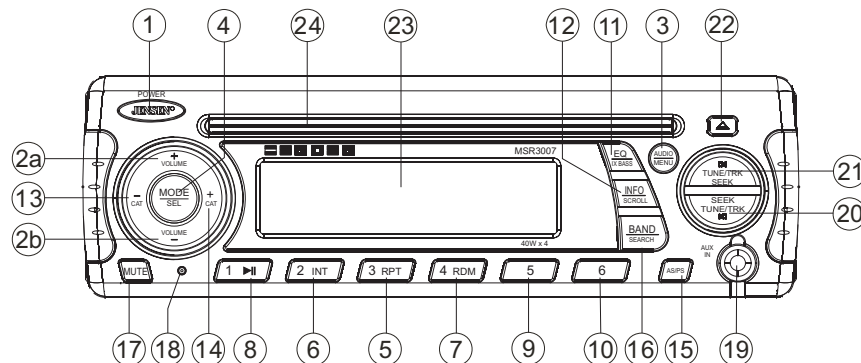
Reconecte la Batería

Cuando el cableado se complete, reconecte el terminal negativo de la batería.

CABLEADO



OPERACIÓN BÁSICA



Encendido / Apagado

Presione cualquier botón en el panel delantero para encender la unidad. Presione el botón **POWER** (1) para apagar la unidad.

- Si se inserta un disco cuando el radio está apagado y el ACC (interruptor accesorio) está encendido, la unidad automáticamente se encenderá y empezará la reproducción.
- Si hay un CD, la reproducción reinicia en la última posición en memoria antes que la ignición fuera apagada o el botón de **POWER** fuera presionado.
- Si no hay CD, la unidad reiniciará en el último modo seleccionado (Tuner, Aux, etc.). El botón **POWER** se ilumina siempre que enciende la llave IGN (cable rojo), sin importar si la unidad está prendida o apagada.

Control de Volumen

Para subir el volumen, presione el botón **VOLUME +** (2a). Para bajar el volumen, presione el botón **VOLUME -** (2b).

Mute (Mudo)

Press the **MUTE** button (17) on the control panel to mute the audio output. Press **MUTE** again to restore the audio output to the previous level.

Mode

Presione el botón **MODE** (4) en el panel de control para seleccionar un modo de operación diferente, como se indica en la pantalla. Modos disponibles incluyen Tuner (Radio), SIRIUS, CD, iPod y AUX In (Entrada Auxiliar opcional).

OTA: Los iPod y SIRIUS se saltarán si el módulo no está instalado.

Reiniciar

El botón de reinicio (reset) se debe presionar por las siguientes razones:

- En la instalación inicial, cuando todo el cableado esté completo
- No funcionan los botones de función

- Hay un símbolo de error en pantalla

Utilice un bolígrafo o un objeto de metal delgado para presionar el botón **RESET**, ubicado en la caja del radio.

Usted puede volver a la configuración de fábrica usando la función **RESUME** ubicada en el menú de sistema. Con el cartel "YES" destellando, presione el botón **MODE** (4) para activar.

Menú de Audio

Presione el botón **AUDIO** (3) en el panel de control para acceder al menú de audio. Usted puede navegar a través de los ítems de menú de audio presionando repetidas veces el botón **AUDIO**. Una vez que el menú deseado aparezca en pantalla, ajuste la opción presionando los botones de **VOLUMEN +/-** (2) dentro de los 5 segundos. La unidad automáticamente saldrá del menú de audio luego de cinco segundos de inactividad. Se pueden ajustar los siguientes ítems de menú.

Nivel de Bajos (Bass)

Utilice los botones **VOLUME** para ajustar el rango de nivel de Bajos desde "-6" a "+6".

Nivel de Agudos (Treble)

Utilice los botones **VOLUME** para ajustar el rango de nivel de Agudos desde "-6" a "+6".

Balance

Gire los botones de **VOLUME** para ajustar el balance entre los altavoces posteriores y delanteros desde "R12" (completamente hacia atrás) hasta "F12" (completamente hacia adelante).

Nivel de Volumen

Use los botones **VOLUME** para ajustar el nivel de Volumen.

Menú de Sistema

- Mantenga presionado el botón **AUDIO** (3) por más de 3 segundos para acceder al menú de sistema. "MENU" aparecerá en pantalla, seguido del primer ítem, "CONTRAST" (Contraste).
- Presione los botones **TUNE/TRK >>|** o **|<<** (19, 18) o presione el botón **AUDIO** repetidas veces para navegar el menú de sistema y seleccionar el ítem deseado.
- Presione los botones **VOLUME +/-** (2) para ajustar el ítem de menú seleccionado.
- Presione el botón **AS/PS** para volver a la operación previa inmediatamente o esperar por 5 segundos para volver automáticamente.

Se pueden ajustar los siguientes ítems:

- CONTRAST (Contraste) (0 - 10): Configurar el contraste del LCD.
- LOW BATT (Batería baja) (ON/OFF): Voltaje de monitor en línea ACC.
- Este modo favors Para admitir locales stations avails senates son mass fetes. Para majored mass radio senates.
- DISTANCE: Est. determine Los locales receptores del modo normales receptores de mode.
- ÁREA(USA/AMERICLATINA/EUROPA):Configura espacio en la frecuencia para varias regiones.
- VOL PGM (0 - 46): Seleccione un volumen de encendido automático.
- BEEP TONE/TONO DE BIP (ENCENDIDO/APAGADO): Encienda o apaga el bip audible (escuchado cuando se seleccionan botones o funciones). NOTA: El tono de bip apagado no afectará el tono audible de batería baja.
- RESUME: Regrese el EEPROM a los valores por defecto de fábrica y reinicia la Configuración de Radio Sirius. "Yes" destellará en el LCD para confirmar. Presione **MODE** para seleccionar.

Operación con Batería Baja (LOW BATTERY)

Si LOW BATT está en "ON", una alarma sonará (8 bips cada 30 segundos) cuando el voltaje cae a 10.8V (+/- 0.03V). Una advertencia visual (LOBA) aparecerá (8 destellos cada 30 segundos) en la esquina inferior izquierda de la pantalla.

NOTA: La configuración por defecto para LOW BATT es apagado ("OFF"). Si se enmudece un audio o el volumen está en 0, el bip audible no se escuchará.

Ecuador

Presione el botón **EQ** (11) para encender la función de ecualización y seleccionar entre cinco curvas de bajos y agudos predefinidos: OFF > POP > JAZZ > CLASSIC > BEAT > ROCK.

iX-Bass (Graves iX)

Mantenga presionado el botón **EQ/IX-BASS** (11) para cambiar entre sonoridad encendida o apagada. Cuando escuche música en volumen bajo, esta función potenciará los rangos graves para compensar las características del oído humano.

Entrada Auxiliar

Para acceder a un dispositivo auxiliar:

- Conecte el reproductor de audio portátil a la entrada auxiliar del panel delantero (AUX IN, 19).
- Presione el botón **MODE** (4) para seleccionar el modo Aux In.
- Presione **MODE** nuevamente para cancelar el modo Aux In e ir al modo siguiente.

Pantalla de Cristal Líquido (LCD)

La frecuencia de corriente y las funciones activas se muestran en pantalla (23).

NOTA: Los paneles LCD pueden tardar más en responder cuando estén expuestos a temperaturas bajas durante un período prolongado de tiempo. Además, la visibilidad de los números en el LCD puede bajar levemente. La pantalla LCD volverá a su normalidad cuando la temperatura suba a un rango normal.

Scroll (Avanzar)

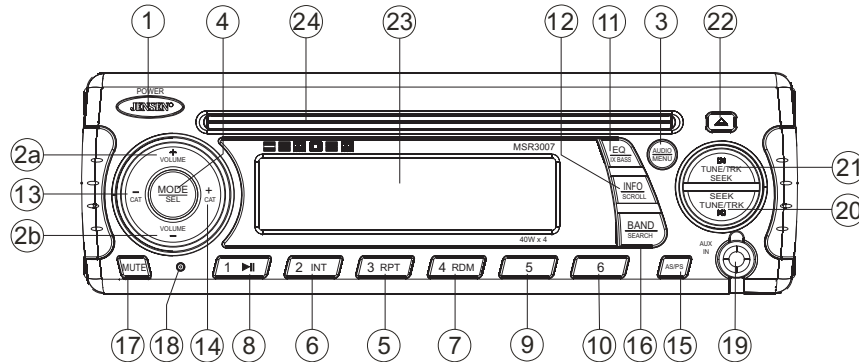
Cuando la información es muy larga para entrar en la pantalla, mantenga presionado el botón **INFO/ SCROLL** (12) para ver el título entero. La información pasará dos veces y luego volverá al texto abreviado.

Tecla de Salida Rápida

En los modos y condiciones siguientes, presione el botón **AS/PS** < 3 segundos para salir rápidamente de la operación actual sin esperar el cierre por defecto del sistema:

- Operación de menú de sistema
- Modo de búsqueda
- Operación de menú de audio

OPERACIÓN DEL SINTONIZADOR



NOTA: Durante el Grabado Automático (AS), el radio por defecto estará en modo "Local" mientras realiza el escaneo inicial de la banda. Luego de escanear toda la banda una vez, la unidad cambiará a modo "Distante" para toda configuración de Grabado Automático subsiguiente.

Escaneo Preseleccionado

Seleccione una banda (si es necesario). Presione el botón **AS/PS** (15) para recorrer estaciones grabadas en la banda actual. La unidad se detiene por 10 segundos en cada estación potente. Presione **AS/PS** nuevamente para detener el escaneo cuando se alcanza la estación deseada.

Seleccione una Banda

Presione el botón **BAND** (16) para cambiar entre tres bandas FM y dos bandas AM (MW).

Sintonía Manual

Presione los botones **TUNE/TRK >>|** o **|<<** (21, 20) para buscar estaciones una a una hacia arriba o hacia abajo.

Sintonía de Búsqueda Automática

Presione los botones **TUNE/TRK >>|** o **|<<** (21, 20) para buscar automáticamente la estación potente siguiente o anterior en el dial.

Estaciones Preseleccionadas

Seis botones numerados almacenan y sintonizan estaciones preseleccionadas por cada banda.

Almacene una Estación

Seleccione una banda (si es necesario), luego seleccione una estación. Mantenga presionado el botón de configuración previa (5-10) por dos segundos. El número preseleccionado aparecerá en la pantalla.

Ir a una Estación

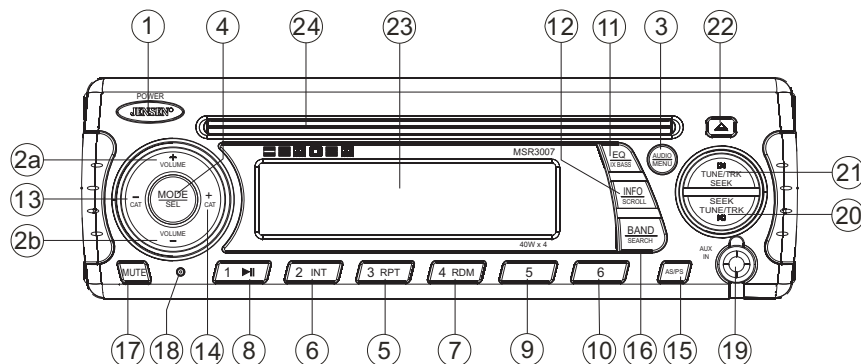
Seleccione una banda (si es necesario). Presione el botón de preselección (5-10) para seleccionar la estación almacenada correspondiente.

Grabado Automático/Recorrido Preseleccionado de Sintonía (AS/PS)

Grabado Automático

Seleccione una banda (si es necesario). Mantenga presionado el botón **AS/PS** (15) por más de tres segundos para seleccionar automáticamente seis estaciones fuertes y grabarlas en la banda actual. Las nuevas estaciones reemplazan cualquier estación almacenada anteriormente en esa banda.

OPERACIÓN DEL EQUIPO DE CD



Insertando y Quitando un Disco

Inserte un disco dentro de la ranura (24) con la unidad encendida y la etiqueta del mismo hacia arriba. La unidad automáticamente jalará el disco y reproducirá la primera pista.

Presione el botón de eyectar ▲ (22) para detener el disco y quitarlo. La unidad no debe estar encendida para quitar el disco.

Controlando la Reproducción del Disco

Seleccionando Pistas

Presione el botón **TUNE/TRK >>|** (21) o **TUNE/TRK |<<** (20) para avanzar a la pista siguiente en el CD. El número de pista seleccionado aparecerá en pantalla. Mantenga presionado el botón **TUNE/TRK >>|** o **|<<** para avanzar o retroceder rápido por el disco. La reproducción del CD inicia cuando el botón se libera.

Reproducción/Pausa de Disco

Presione el botón **1/|>|** (8) para suspender la reproducción del disco. Presione nuevamente **1/|>|** para reasumir la reproducción.

Viendo Previamente las Pistas

Presione el botón **2/INT** (6) para reproducir los primeros 10 segundos de cada pista en secuencia. Presione **2/INT** nuevamente para detener el escaneo de las introducciones (Intro Scan) y reasumir la reproducción normal de la pista actual.

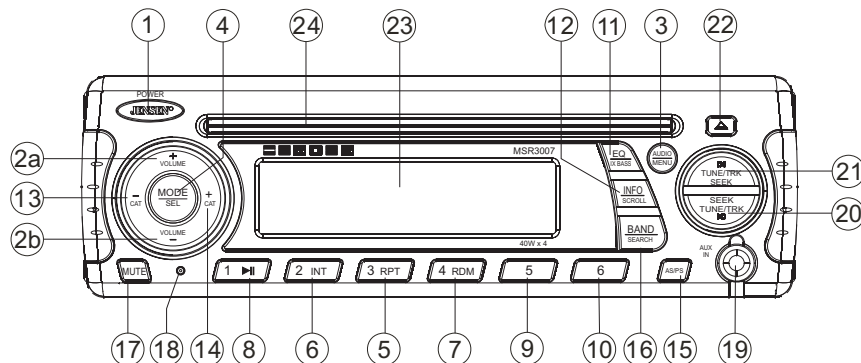
Reproducción en Repetición

Presione el botón **3/RPT** (5) durante la ejecución del disco para repetir continuamente la misma pista. Presione **3/RPT** nuevamente para detener la repetición.

Reproducción Aleatoria

Presione el botón **4/RDM** (7) durante la reproducción del disco para pasar todas las pistas del CD en orden aleatorio, entremezclado. Presione **4/RDM** nuevamente para detener la ejecución aleatoria.

OPERACIÓN DE RADIO SIRIUS



Cambiando a Modo SIRIUS (Requiere el Radio Sirius)

Presione el botón **MODE** (4) para cambiar el modo a radio Sirius.

Accediendo al Identificador de SIRIUS

1. En modo Sirius, mantenga presionado el botón **BAND/SERCH** (16) para seleccionar el modo **DIRECT**.
2. Presione el botón **MODE** para entrar en cada dígito "000".
3. Presione **MODE** nuevamente para confirmar. Esto mostrará el número de identificación (ID) de Sirius para su radio.
4. Este número de identificación Sirius pasará dos veces y luego se congelará con los primeros 11 dígitos en pantalla. Presione el botón **INFO/SCROLL** (12) para mostrar el dígito remanente.

Seleccionando una Banda

En modo Sirius, presione el botón **BAND** (16) para accederlos grupos de canales preseleccionados por el usuario en Sirius en el siguiente orden: SR-1, SR-2, SR-3.

Sintonía de Categoría

1. Presione los botones **CAT +/-** (13/14) para cambiar de categoría. Cada título de categoría y título de canción se mostrará en pantalla en aumento.
2. Mientras esté en modo de categoría, presione los botones **CAT - / +** nuevamente para ver los nombres de categorías. (El número de canal más bajo dentro de la categoría elegida siempre será el primer canal en sintonizar por defecto.)
3. Presione el botón **MODE** (4) o los botones **TUNE/TRK** [\ll / \gg] (20/21) para elegir los canales deseados en esa categoría.
4. Presione los botones **TUNE/TRK** para seleccionar un canal entre las categorías.
5. Presione **MODE** para confirmar la selección del canal.

Sintonía de Canal hacia Arriba o Hacia Abajo

Presione los botones **TUNE/TRK** [\ll / \gg] (20/21) para buscar un canal. Mantenga presionado los botones **TUNE/TRK** para búsqueda rápida.

Guardando Canales Preseleccionados

Los botones de preselección (5-10) se pueden usar para guardar hasta 6 canales, permitiendo acceso conveniente a sus canales favoritos.

Programando Canales

1. Seleccione el canal que usted quiere guardar en memoria.
2. Mantenga presionado el botón de configuración previa (5 - 10) hasta que el número del botón correspondiente aparece.
3. Repita los pasos 1 y 2 para programar canales adicionales.

Sintonía Rápida

Presione uno de los seis botones de preselección (5 - 10) para seleccionar directamente un canal.

Buscando un Acceso Directo a un Canal

1. Mantenga presionado el botón **BAND/SEARCH** (Banda/Búsqueda, 16) para acceder a modo de Sintonía Directa. "DIRECT-T" aparece en pantalla por pocos segundos.
2. Presione el botón de **MODE** (4) para confirmar.
3. Presione los botones **TUNE/TRK** [\ll / \gg] (20/21) para moverse entre los tres dígitos.
4. Utilice los botones de **VOLUME +/-** (2) para seleccionar un número para cada posición.
5. Presione el botón de **MODE** para confirmar cada dígito.
6. Presione el botón **MODE** nuevamente para sintonizar el archivo seleccionado.

Información Alternativa en Pantalla

Presione el botón **INFO/SCROLL** (12) para cambiar la información de pantalla en el siguiente orden: ARTIST NAME (Nombre del Artista) > SONG TITLE (Título de la Canción) > CATEGORY (Categoría) > CHANNEL NAME (Nombre del Canal).

Fuerza de la Señal Satelital

La pantalla indica la fuerza de la recepción satelital como se muestra abajo.

Fuerza de la Señal	Fuerza en Pantalla
Sin Señal	☒ - - - -
Débil	☒ - - - -
Buena	☒ - - - -
Excelente	☒ - - - -

OPERACIÓN DEL IPOD

Esta unidad está equipada con una función de compatibilidad con iPod que permite controlar su iPod (si es compatible) usando los botones del panel de control. Son compatibles las siguientes versiones de iPod:

- iPod 3G (soportes lógico inalterable 2.2 solamente)
- iPod Mini
- iPod 4G
- iPod Photo
- iPod Nano
- iPod 5G (Video)

NOTA: iPod y Cable de iPod se venden por separado.

Accediendo al Modo iPod

La unidad automáticamente cambiará a modo de iPod cuando un iPod se enchufa en el cable de iPod.

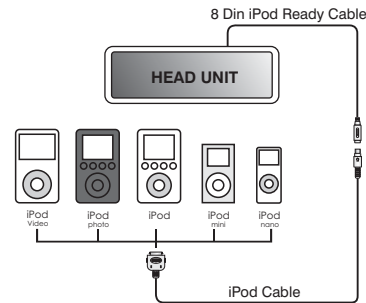
To return to the iPod menu from any other source, press the **MODE** button (4) on the control panel or remote control until "iPod" appears on the display.

Para volver al menú de iPod desde cualquier otra fuente, presione el botón **MODE** (4) en el panel de control o en el control remoto hasta que "iPod" aparezca en pantalla.

Encendiendo/Apagando el iPod

El iPod se enciende automáticamente cuando un iPod se conecta al cable de 30 pines de iPod, siempre que la ignición del vehículo esté encendida. Usted puede apagar el iPod desconectándolo del cable o apagando la ignición. Cuando la ignición del vehículo se apaga, el iPod hará una pausa y luego de 2 minutos entrará en modo dormir. Mientras está conectado, el iPod no se puede encender o apagar usando los controles del iPod.

NOTA: El iPod se recargará continuamente cuando esté conectado a la unidad, mientras que la ignición del vehículo esté encendida.



Controlando la Ejecución

Deteniendo la Reproducción

Durante la reproducción, presione el botón **1/>>||** (8) para pausar el reproductor del iPod. En pantalla aparecerá "Pause". Presione nuevamente **1/>>||** para reanudar la reproducción.

Reproducción en Repetición

Durante la reproducción, presione el botón **3/RPT** (5) para repetir la canción actual. En pantalla aparecerá "Repeat". Presione **3/RPT** nuevamente para detener la repetición.

Reproducción Aleatoria

Durante la reproducción, presione el botón **4/RDM** (7) para pasar todas las canciones de esa categoría en orden aleatorio. La reproducción aleatoria se iniciará cuando la canción actual finalice. En pantalla aparecerá "Shuffle". Presione **4/RDM** nuevamente para detener la ejecución aleatoria.

Seleccionando Pistas

Durante la reproducción, presione los botones **TUNE/TRK |<< / >>|** (20/21) para reproducir la pista anterior o siguiente en la categoría actual. Presione el botón **TUNE/TRK |<<** (20) una vez para reproducir la canción desde la posición inicial o presiones **TUNE/TRK |<<** dos veces para reproducir la pista previa. Mantenga presionado el botón **TUNE/TRK |<< / >>|** (20/21) para retroceder o avanzar rápidamente la canción.

NOTA: Si mantiene presionado el botón TUNE/TRK |<< / >>| para cambiar la canción actual por la siguiente o a la previa, usted saldrá del modo retroceso o avance rápido.

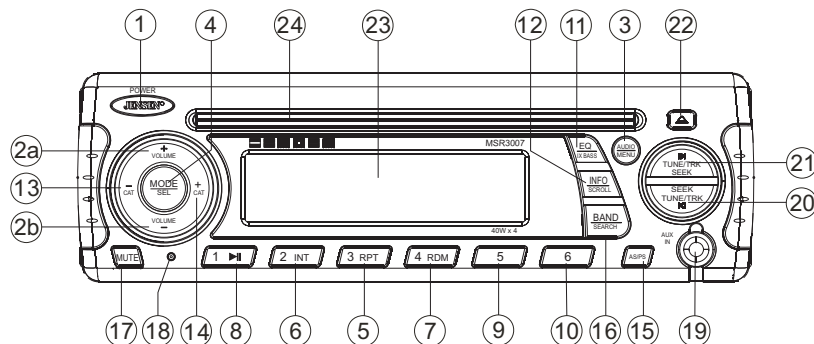
Información de Pantalla Alterna

Presione el botón **INFO/SCROLL** (12) para cambiar la información de pantalla en el siguiente orden: ARTIST NAME (Nombre del Artista) > SONG TITLE (Título de la Canción) > FOLDER NAME (Nombre de la Carpeta).

Modo de Búsqueda

Mantenga presionado el botón **BAND/SEARCH** (Banda/Búsqueda, 16) para acceder a modo de búsqueda de iPod. Presione **BAND/SEARCH** nuevamente para acceder consecutivamente a Playlist (Lista de reproducción), Artist (Artista), Album (Álbum), Gender (Género), Song (Canción) o Composer (Compositor).

Cuando esté seleccionado el modo de búsqueda, presione el botón **MODE** (4) para confirmar la selección. Utilice los botones **VOLUME +/-** (2) para navegar a través de varias selecciones de listas. Presione **MODE** (4) para asegurar su selección final.



CUIDADO Y MANTENIMIENTO

- Mantenga el producto seco. En el caso de mojarse, séquelo inmediatamente. Los líquidos pueden contener minerales que corroen los circuitos electrónicos.
- Mantenga el producto lejos de polvo y suciedad, lo cual puede causar un desgaste prematuro de las partes.
- Maneje el producto suave y cuidadosamente. Dejarlo caer puede dañar circuitos y cajas, y puede causar que el producto funcione inadecuadamente.
- Ocasionalmente limpie el producto con un trapo mojado para que mantenerlo como nuevo. No utilice químicos fuertes, solventes de limpieza o detergentes fuertes para limpiar el producto.
- Utilice y guarde el producto solamente en ambientes de temperatura normal. Las altas temperaturas pueden acortar la vida de los dispositivos electrónicos, dañar baterías y distorsionar y derretir las partes plásticas.

Ignición

La fuente más común de ruido en la recepción es el sistema de ignición. Esto es el resultado de un radio ubicado cerca del sistema de ignición (motor). Este tipo de ruido puede ser detectado fácilmente porque variará en intensidad de tono con la velocidad del motor.

Usualmente, el ruido de la ignición se puede suprimir considerablemente usando un cable de ignición de la suspensión de alto voltaje y un resistor supresor en el sistema de ignición. (La mayoría de los buques emplean este cable y resistor pero puede ser necesario verificarlos para una operación correcta.) Otro método de supresión es el uso de supresores adicionales. Éstos se pueden obtener en la mayoría de los comercios CB/A de radio o electrónica.

Interferencia

La recepción de radio en un ambiente en movimiento es muy diferente de la recepción en un ambiente estacionado (casa). Es muy importante entender la diferencia.

La recepción AM se deteriorará cuando pase bajo un puente o cuando pase bajo líneas de alto voltaje. A pesar que banda AM está sujeta a ruidos medioambientales, tiene la habilidad de recibir a gran distancia. Esto es porque las señales de transmisión siguen la curvatura de la tierra y se rebotan de vuelta en la atmósfera superior.

SOLUCIÓN DE PROBLEMAS

Problema	Cause	Solución
No hay energía	La llave accesoria del buque no está encendida	Si la energía no está conectada adecuadamente al terminal accesorio del buque, cambia la llave de ignición a "ACC".
	El fusible está quemado	Reemplace el fusible.
El disco no se puede insertar o eyectar	Hay un CD dentro del reproductor	Quite el disco en el reproductor e inserte uno nuevo.
	Insertando el disco en dirección reversa	Inserte el disco compacto con la etiqueta hacia arriba.
	El disco compacto está muy sucio o tiene un defecto	Limpie el disco o intente reproducir otro.
No hay sonido	Condensación	Deje el reproductor apagado por una hora, luego intente nuevamente.
	El volumen está muy bajo	Ajuste el volumen a un nivel audible.
Los botones de operación no funcionan	El cableado no está conectado adecuadamente	Verifique las conexiones de cables.
	El panel de control no está instalado correctamente	Reinstale el panel de control.
El sonido salta	El microcomputador integrado no está operando adecuadamente debido al ruido	Presione el botón RESET .
	El ángulo de instalación es de más de 30 grados	Ajuste el ángulo de instalación a menos de 30 grados.
No se puede sintonizar a una estación de radio, la búsqueda automática no funciona	El disco está sucio o tiene un defecto	Limpie el disco e intente nuevamente o use un nuevo disco.
	The antenna cable is not El cable de la antena no está conectado	Inserte el cable de la antena firmemente.
	Las señales son muy débiles	Seleccione una estación manualmente.

ESPECIFICACIONES

CD

Señal a Coeficiente de Ruido > 75 dB
 Separación de Canal. Más de 50 dB
 Frecuencia de Respuesta 20 Hz - 20 kHz

Radio FM

Cobertura de la Frecuencia (USA) 87.5 a 107.9 MHz
 Cobertura de la Frecuencia (Europe) 87.5 a 108 MHz
 Sensibilidad (S/N=30dB) 4 μ V
 Rechazamiento de la Imagen >45 dB
 Separación Estérea. >25 dB

AM/MW

Cobertura de la Frecuencia (USA) 530-1720 kHz
 Cobertura de la Frecuencia (Europe) 522-1620 kHz
 Sensibilidad (S/N=20dB) 36 dB

General

Voltaje de Funcionamiento DC 12 Volts
 Poner a Tierra el Sistema Tierra Negativa
 Impedancia del Altavoz 4-8 ohmios por el canal
 Controles del Tono:
 Bajo (at 100 Hz) : \pm 10 dB
 Agudos (at 10 kHz) : \pm 10 dB
 Salida de Energía 40W x 4
 Dren Eléctrico 15 Ampere (max.)
 Dimensiones de Comando 80 (W) x 183 (D) x 58 (H)

INFORMATIONS SUR LA SECURITE

Lorsque vous êtes en bateau

Gardez le niveau de volume assez bas pour être conscient de votre environnement.

Protéger de l'eau

Ne submergez pas et n'exposez pas le produit directement à l'eau. Cela peut produire des court-circuits, incendies ou d'autres types de dommages.

Protéger des températures hautes

Exposition à des rayons de soleil directs peut produire des températures très hautes à l'intérieur de votre vaisseau. Donnez à l'intérieur le temps de se rafraîchir avant de commencer la reproduction.

Ne montez pas la radio près du compartiment du moteur.

Utiliser l'alimentation correcte

Ce produit est conçu pour opérer avec un système de pile négative terre 12 Volt DC.

Protéger le mécanisme du disque

Evitez d'insérer des objets étrangers dans la fente du disque. La mauvaise utilisation peut provoquer un mauvais fonctionnement ou un endommagement permanent à cause du mécanisme précis de cet appareil.

CAUTION:

CETTE PLATINE CD MOBILE EST UN PRODUIT LASER DE CLASSE 1. CET APPAREIL UTILISE UN RAYON DE LASER VISIBLE/INVISIBLE QUI PEUT CAUSER UNE RADIATION DANGEREUSE S'IL EST EXPOSE DIRECTEMENT. ASSUREZ-VOUS QUE VOUS OPEREZ CETTE PLATINE CD MOBILE SELON LES INSTRUCTIONS.

UTILISATION DES CONTROLES OU DES AJUSTEMENTS OU DE LA PERFORMANCE OU DES PROCEDURES AUTRES QUE CEUX SPECIFIES DANS CE GUIDE PEUT RESULTER EN UNE EXPOSITION A L'EFFET HASARDEUX DE LA RADIATION.

N'OUVREZ PAS LES COUVERTURES ET NE DEPANNEZ PAS VOUS-MEME. FAITES DEPANNER PAR UN TECHNICIEN QUALIFIE.

AVERTISSEMENT:

- POUR REDUIRE LES RISQUES D'INCENDIE OU DE CHOC ELECTRIQUE N'EXPOSEZ PAS CET EQUIPEMENT DIRECTEMENT A L'EAU.
- POUR REDUIRE LE RISQUE D'INCENDIE OU DE CHOC ELECTRIQUE ET D'INTERFERENCE UTILISEZ UNIQUEMENT DES ACCESSOIRES RECOMMANDES.


Notes du disque

Certains CD-Rs/CD-RWs peuvent être incompatibles avec cet appareil en fonction du statut de reproduction, des conditions du disque, et de l'équipement utilisé pour l'enregistrement. Pour une reproduction fiable adhérez-vous aux recommandations suivantes :

- Utilisez des CD-RWs avec vitesse 1x à 4x et écrivez avec vitesse 1x à 2x
- Utilisez les CD-Rs avec une vitesse 1x à 8x et écrivez avec une vitesse 1x à 2x
- N'utilisez pas un CD-RW qui a été écrit plus de 5 fois

Types de disques compatibles

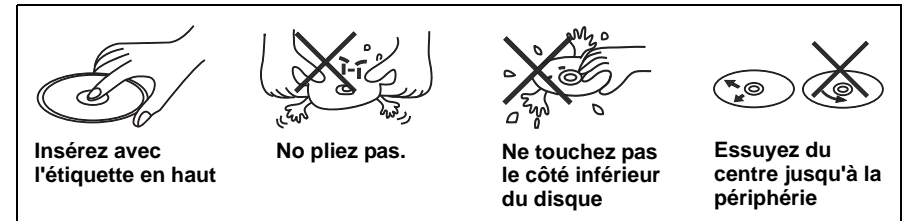
Table 1: Information Générale du disque

Type du disque	Logo	Diamètre/Côtés jouables	Temps de reproduction
CD Audio		12 cm côté simple	74 minutes

A NOTER : Des disques CD-R et CD-RW ne joueront pas à moins que la séance d'enregistrement est terminée et le CD est finalisé.

Entretien du disque

- Un disque sale ou défectueux peut donner des lacunes de son pendant la reproduction. Avant de jouer, essuyez le disque avec un tissu propre, commençant par le centre et allant petit à petit au bord extérieur. N'utilisez jamais de benzène, des diluants, des détergents, des liquides anti-statique ou d'autres solutions.



- Assurez-vous que vous n'utilisez que des disques ronds pour cet appareil, et n'utilisez pas des CDs avec une forme spéciale. Utilisation des CDs avec une forme spéciale peut causer un mauvais fonctionnement.
- Ne collez pas de papier ou de bande adhésive sur le disque. N'utilisez pas de CD avec des étiquettes ou des autocollants attachés ou des CDs qui ont un résidu collant des autocollants enlevés.
- N'exposez pas le disque à des rayons de soleil directs ou à des sources de chaleur.

A NOTER : Un disque peut devenir égratigné (bien que pas autant de le rendre inutilisable) dépendant de la façon dont vous le manipulez et des autres conditions dans l'ambiance de l'utilisation. Ces égratignures ne sont pas une indication d'un problème avec la platine.

INSTALLATION

Avant de commencer

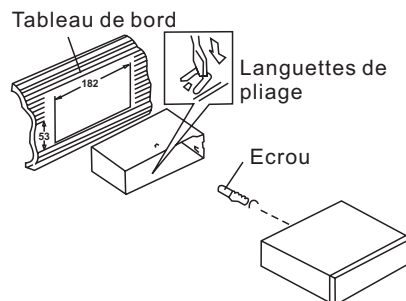
1. **Débranchez la pile**
Avant de commencer, débranchez toujours la borne négative de la pile
2. **Enlevez les écrous de transportation**

Notes importantes

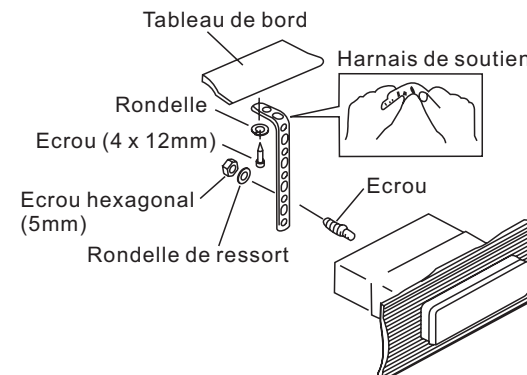
- Avant l'installation finale vérifiez les branchements pour être sûr que l'appareil est bien branché et que le système fonctionne.
- N'utilisez que les parties fournies avec cet appareil pour assurer une bonne installation. L'utilisation des parties non-autorisées peut causer un mauvais fonctionnement.
- Consultez avec le détaillant le plus proche si l'installation exige le perçage des trous ou d'autres modifications de votre vaisseau.
- Installez l'appareil de façon à ce qu'il n'interfère pas avec la conduite de la voiture, et ne blesse pas les passagers lors d'un arrêt brusque ou d'urgence.
- Si l'angle d'installation est plus de 30° depuis l'horizontal, l'appareil peut ne pas donner une performance optimale.
- Cet appareil **n'est pas imperméable** et est conçu pour des applications de montage internes seulement. Montage à l'extérieur de l'appareil exige un logement marin approuvé par l'ASA.
- Evitez d'installer l'appareil là où il sera sujet à des températures hautes provenant des rayons de soleil directs, de l'air chaud ou d'un réchaud ou bien là où il sera soumis à de la poussière, des ordures ou des vibrations.

Montage de devant DIN

1. Glissez le manchon de montage du châssis s'il n'a pas déjà été enlevé. S'il est verrouillé, utilisez les clés de l'enlèvement (fournies) pour le désengager. Les clés de l'enlèvement sont dépeints dans "Enlevez l'appareil" à la page 26.
2. Vérifiez la taille de l'ouverture du tableau de bord en glissant le manchon de montage dedans. Si l'ouverture n'est pas assez large, coupez comme nécessaire jusqu'à ce que le manchon glisse facilement dans l'ouverture. Ne forcez pas le manchon dans l'ouverture et ne le pliez pas non plus. Assurez-vous qu'il y aura de l'espace suffisant derrière le tableau de bord pour le châssis de la radio.
3. Trouvez la série des languettes de pliage en haut, en bas et aux côtés du manchon de montage. Avec le manchon bien inséré dans le tableau de bord, pliez autant de languettes vers le dehors comme nécessaire pour attacher le manchon au tableau de bord.
4. Placez la radio devant l'ouverture du tableau de bord, pour que le câblage puisse traverser le manchon de montage.
5. Suivez avec soin le diagramme de montage et assurez vous que tous les branchements sont sûrs et isolés avec des raccords à sertir ou de la bande électrique pour donner une bonne opération.

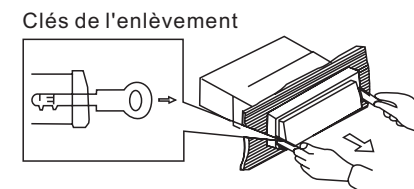


6. Après avoir terminé les branchements, mettez l'appareil en marche pour confirmer l'opération (l'interrupteur accessoire du vaisseau doit être en marche). Si l'appareil ne fonctionne pas, vérifiez tout le câblage jusqu'à ce que le problème soit résout. Dès que la bonne opération est atteinte, mettez l'interrupteur accessoire en arrêt, et continuez avec le montage final du châssis.
7. Glissez doucement la radio dans le manchon de montage en vous assurant qu'il est bien orienté jusqu'à ce qu'il soit bien assis et les attaches à ressort le verrouille.
8. Attachez un bout du harnais de soutien perforé fourni au boulon à l'arrière du châssis en utilisant l'écrou hexagonal et la rondelle de ressort. Attachez l'autre bout du harnais à une partie sûre du tableau de bord soit audessous ou audessus de la radio en utilisant l'écrou et la rondelle fournis. Pliez le harnais si nécessaire pour le positionner. **CAUTION :** L'arrière de la radio doit être soutenu avec le harnais pour empêcher l'endommagement du tableau de bord à cause du poids de la radio ou la mauvaise opération à cause de la vibration.
9. Essayez l'opération radio en vous référant aux instructions d'opération pour cet appareil.



Enlevez l'appareil

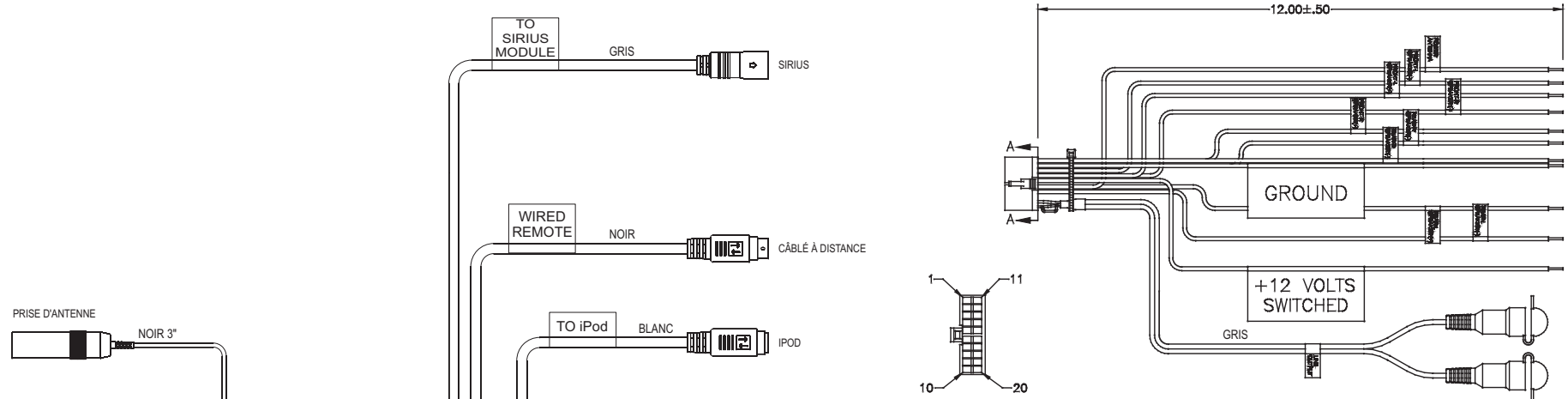
Pour enlever l'appareil après l'installation, tirez sur les couvertures en caoutchouc, insérez les clés de l'enlèvement jusqu'à ce qu'ils cliquent, et puis retirez la radio. Si les clés de l'enlèvement sont insérés à un angle, ils ne s'engageront pas correctement pour relâcher l'appareil.



Rebrancher la pile

Lorsque le câblage est terminé, rebranchez la borne négative de la pile.

CABLAGE



VUE A-A
VUE D'INSERTION DU FIL

AIGUILLE	COULEUR DE FIL	DESCRIPTION
1	GRIS/NOIR	HAUT PARLEUR D'AVANT GAUCHE (-)
2	GRIS	HAUT PARLEUR D'AVANT GAUCHE (+)
3	VIOLET	HAUT PARLEUR D'AVANT DROITE (+)
4	VIOLET/NOIR	HAUT PARLEUR D'AVANT DROITE (-)
5	VIDE	PAS DE CONNECTION
6	VERT	HAUT PARLEUR D'ARRIERE GAUCHE (+)
7	VERT/NOIR	HAUT PARLEUR D'ARRIERE GAUCHE (-)
8	VIDE	PAS DE CONNECTION
9	NOIR/SHIELD	AUDIO NEGATIF LIGNE ARRIERE
10	ROUGE	NIVEAU LIGNE ARRIERE DROITE EN MARCHÉ
11	BLANC	HAUT PARLEUR D'AVANT GAUCHE (+)
12	BLANC/NOIR	HAUT PARLEUR D'AVANT GAUCHE (-)
13	VIDE	PAS DE CONNECTION
14	BLEU	ANTENNE DE PUISSANCE
15	ROUGE	ALLUMAGE ACCESSOIRE
16	NOIR	TERRE
17	VIDE	PAS DE CONNECTION
18	VIDE	PAS DE CONNECTION
19	VIDE	PAS DE CONNECTION
20	BLANC	NIVEAU LIGNE ARRIERE GAUCHE EN MARCHÉ

Antenne de puissance

Branchez à l'antenne de puissance ou à l'amplificateur. S'il n'est pas utilisé mettez la bande adhésive sur le bout dénudé du fil.

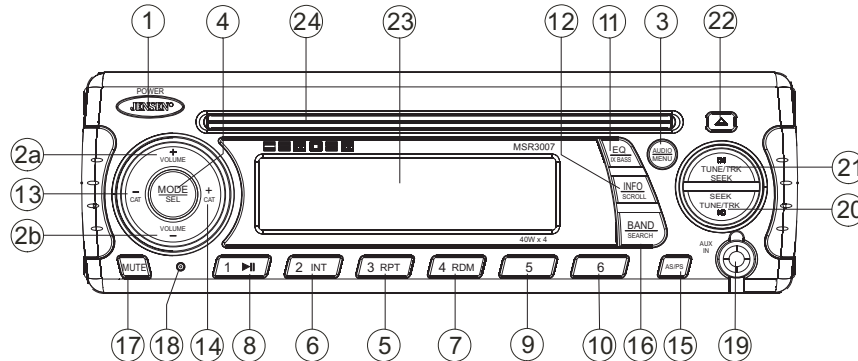
Mise en marche 12V + ACC

Branchez au fil de la radio existante ou au fusible de la radio.

Terre du châssis

Branchez à la borne terre ou à une partie métallique propre et non-peinte du châssis.

OPERATION DE BASE



Puissance en marche/en arrêt

Appuyez sur n'importe quel bouton sur le panneau d'avant pour mettre l'appareil en marche. Appuyez sur le bouton **POWER** (1) pour mettre l'appareil en arrêt.

- Si un disque est en train d'être inséré alors que la puissance radio est en arrêt et ACC (interrupteur accessoires) est en marche, l'appareil va s'alimenter automatiquement et la reproduction commencera.
- Si un CD est présent, la reproduction reprend à la dernière position en mémoire avant que l'allumage n'ait été éteint ou le bouton **POWER** n'ait été appuyé.
- S'il n'y a pas de CD, l'appareil va reprendre à la dernière mode sélectionnée (Tuner, Aux, etc.). Le bouton **POWER** est illuminé lorsque le fil IGN (fil rouge) est alimenté, peu importe si l'appareil est en marche ou non.

Contrôle du volume

Pour augmenter le volume, appuyez sur le bouton **VOLUME +** (2a). Pour diminuer le volume, appuyez sur le bouton **VOLUME -** (2b).

Muet

Appuyez sur le bouton **MUTE** (17) sur le panneau de contrôle pour assourdir la sortie audio. Appuyez de nouveau sur **MUTE** pour rétablir la sortie audio au niveau précédent.

Mode

Appuyez sur le bouton **MODE** (4) sur le panneau de contrôle pour sélectionner une mode d'opération différente. Les modes disponibles comprennent : Tuner, Sirius, CD, iPod, et AUX In (Entrée Auxiliaire facultatif).

A NOTER : Les iPod et Sirius seront sautés si le module n'est pas installé.

Réinitialisation

Le bouton de réinitialisation doit être activée pour des raisons suivantes :

- Installation de l'appareil lorsque tout le câblage est terminé
- Les boutons de fonctions n'opère pas
- Symbole d'erreur sur l'affichage

Utilisez une bille ou un objet métallique fin pour appuyez sur le bouton de réinitialisation situé sur la boîte tuner.

Vous pouvez retrouver les réglages par défaut d'usine en utilisant la fonction **RESUME** situé sur le menu système. Avec **YES** clignotant, appuyez sur le bouton **MODE** (4) pour activer.

Menu Audio

Appuyez sur le bouton **AUDIO** (3) sur le panneau de contrôle pour accéder au menu Audio. Vous pouvez naviguer à travers le menu Audio en appuyant sur le bouton **AUDIO**. Lorsque l'article de menu désiré apparaît sur l'affichage ajustez l'option en appuyant sur les boutons **VOLUME +** et **-** (2) dans 5 secondes. L'appareil va automatiquement sortir du menu audio après 5 secondes d'inaction. Les articles de menu suivants peuvent être ajustés.

Niveau de basse

Utilisez les boutons **VOLUME** pour ajuster la gamme de niveau Basse de -6 à +6.

Niveau d'aigu

Utilisez les boutons **VOLUME** pour ajuster la gamme de niveau Aigu de -6 à +6.

Balance

Utilisez les boutons **VOLUME** pour ajuster la Balance entre les haut parleur de droite et de gauche de L12 (plein gauche) à R12 (plein droite).

Equilibreur

Utilisez les boutons **VOLUME** pour ajuster l'Equilibre entre les haut parleurs d'avant et d'arrière de R12 (plein arrière) à F12 (plein avant).

Niveau de volume

Utilisez les boutons Volume pour ajuster le niveau de Volume.

Menu système

1. Appuyez et maintenez l'appui sur le bouton **AUDIO** pendant plus de 3 secondes pour entrer dans le menu système. **MENU** apparaîtra sur l'affichage suivi par le premier article **CONTRASTE**.
2. Appuyez sur le bouton **TUNE/TRK >>|** ou **|<<** (21, 20) ou sur le bouton **AUDIO** pour naviguer à travers le menu système.
3. Appuyez sur les boutons **VOLUME +/-** (2) pour ajuster l'article menu sélectionné.
4. Appuyez sur le bouton **AS/PS** pour revenir immédiatement à l'opération précédente ou attendez 5 secondes pour revenir automatiquement.

Les articles suivants peuvent être ajustés :

- **CONTRAST** (0-10) : Réglez le contraste d'affichage à cristaux liquides.
- **LOW BATT** (ON/OFF) : Surveiller le voltage sur la ligne ACC.
- **LOCAL** : Ce mode préfère l'approche aux stations local dont les signaux sont beaucoup de stonger, là en améliorant la réception radio.
- **LA DISTANCE** : le fait de terminer le mode de réception local au mode de réception normal.
- **AREA** (Etats-Unis, AMERIQUE LATINE, E UROPE,) : Réglez l'espacement de fréquence pour chaque région.
- **VOL PGM** (0-46) : Sélectionnez un volume automatique.
- **BEEP TONE** (ON/OFF) : Mettez le bip audible en marche/en arrêt (entendu lorsque les fonctions/boutons sont sélectionnés). *A NOTER : La tonalité bip en arrêt n'affectera pas la tonalité audible LOW BATT.*

- RESUME : Rendez le EEPROM aux valeurs de réglage par défaut d'usine et réinitialiser les réglages du tuner Sirius. YES va clignoter sur le panneau d'affichage à cristaux liquides pour confirmer. Appuyez sur **MODE** pour sélectionner.

Operation de pile basse

Si LOW BATT est réglé en marche, un alarme va sonner (8 bips toutes les 30 secondes) lorsque le voltage tombe à 10.8V (+/- 0.03). Un avertissement visuel (LOBA) apparaîtra clignotant (8 clignotements toutes les 30 secondes) dans le coin gauche en bas de l'affichage aux cristaux liquides.

A NOTER : OFF est le réglage par défaut pour LOW BATT. Si l'audio est assourdi et le volume est réglé à 0, le bip audible ne sera pas entendu.

Egaliseur

Appuyez sur le bouton **EQ** (11) pour mettre l'égaliseur en marche et pour sélectionner entre cinq courbes basse ou aigu pré-définies : OFF, POP, JAZZ, CLASSIC, BEAT, ROCK.

iX-Bass

Appuyez et maintenez l'appui sur le bouton **EQ/IX-BASS** (11) pour basculer l'intensité en marche/en arrêt. Lorsque vous écoutez la musique à des volumes bas, cette fonction va augmenter la gamme de basse pour compenser pour les caractéristiques de l'ouïe humaine.

Entrée auxiliaire

Pour accéder à un engin auxiliaire :

- Branchez la platine audio portable à AUX IN sur le panneau d'avant (19).
- Appuyez sur le bouton **MODE** (4) pour sélectionner la mode Aux IN.
- Appuyez de nouveau sur le bouton **MODE** pour annuler la mode AUX IN et passer à la mode prochaine.

L'affichage aux cristaux liquides (LCD)

La fréquence courante et les fonctions activées sont montrées sur le panneau d'affichage aux cristaux liquides (23).

A NOTER : Les panneaux d'affichage aux cristaux liquides peuvent prendre du temps à répondre lorsqu'ils ont été exposés à des températures très basses pendant une période longue. En outre, la visibilité des numéros sur l'affichage aux cristaux liquides peut diminuer légèrement. L'affichage aux cristaux liquides va revenir à normal lorsque la température augmente et redevient normale.

Déroulement

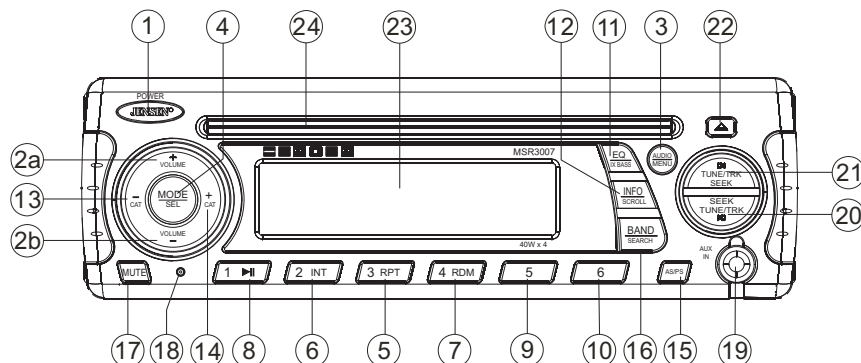
Lorsque l'information est trop longue pour être affichée sur l'affichage aux cristaux liquides, appuyez et maintenez l'appui sur le bouton **INFO/SCROLL** (12) pour voir le titre entier. L'information va se dérouler deux fois et puis revenir au texte abrégé.

Touche rapide pour sortie rapide

Dans les modes et conditions suivantes, appuyez sur le bouton **AS/PS** pour sortir rapidement de l'opération courante sans attendre le temps mort par défaut du système.

- Opération menu système
- Mode de recherche
- Opération menu audio

OPERATION TUNER



A NOTER : Pendant Auto Store (AS) le tuner va revenir par défaut à la mode Locale lorsqu'il balaye la bande. Après avoir balayé la bande une fois, l'appareil va changer à la mode Distant pour tout la syntonisation AS suivante.

Balayage pré-réglé

Sélectionnez une bande (si nécessaire). Appuyez sur **AS/PS** (15) pour balayer toutes les stations mises en mémoire dans la bande courante. L'appareil va s'arrêter pendant dix secondes à chaque station pré-réglée. Appuyez de nouveau sur le bouton **AS/PS** pour arrêter le balayage et lorsque vous arrivez à la station désirée.

Sélectionnez une bande

Appuyez sur le bouton **BAND** (16) pour changer entre trois bandes FM et deux bandes AM (MW).

Syntonisation à la main

Appuyez sur le bouton **TUNE/TRK >>|** ou **|<<** (18, 19) pour chercher des stations vers le haut ou vers le bas, une station à la fois.

Syntonisation auto-recherche

Appuyez et maintenez l'appui sur le bouton **TUNE/TRK >>|** ou **|<<** pour automatiquement chercher la prochaine ou la précédente station forte.

Stations pré-réglées

Six boutons de pré-réglage numérotés mettent en mémoire et rappellent des stations pour chaque bande.

Mise en mémoire d'une station

Sélectionnez une bande (si nécessaire) et puis sélectionnez une station. Appuyez et maintenez l'appui sur un bouton de pré-réglage (5-10) pendant plus de 2 secondes. Le numéro de pré-réglage apparaîtra sur l'affichage.

Rappelez une station

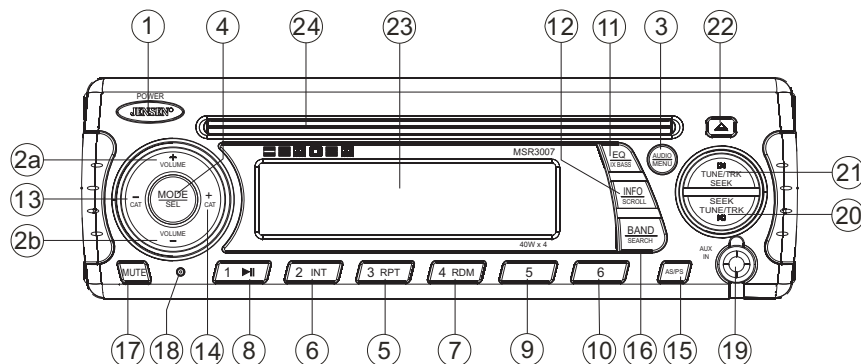
Sélectionnez une bande (si nécessaire). Appuyez sur un bouton de pré-réglage (5-10) pour sélectionner la station mise en mémoire correspondante.

Mise en mémoire automatique/Balayage pré-réglé (AS/PS)

Mise en mémoire automatique

Sélectionnez une bande (si nécessaire). Appuyez et maintenez l'appui sur le bouton **AS/PS** (15) pendant plus de 3 secondes pour automatiquement sélectionner six stations fortes et les mettre en mémoire dans la bande courante. Les nouvelles stations remplacent les stations déjà mises en mémoire dans cette bande.

OPERATION PLATINE CD



Insérer et Ejecter un disque

Insérez un disque avec l'étiquette en haut dans la fente du disque (24) avec l'appareil en marche. L'appareil va automatiquement tirer le disque et commencera la reproduction de la première piste.

Appuyez sur le bouton d'éjection ▲ (22) pour arrêter la reproduction du disque et éjecter le disque. Ce n'est pas nécessaire de mettre l'appareil en marche pour faire éjecter un disque.

Contrôler la reproduction du disque

Sélection des pistes

Appuyez sur le bouton **TUNE/TRK >>|** (21) ou le bouton **TUNE/TRK <<|** (20) pour avancer jusqu'à la prochaine piste sur le CD. Le numéro de piste sélectionné va apparaître sur l'affichage. Appuyez et maintenez l'appui sur les boutons **TUNE/TRK >>|** ou **<<|** pour avancer ou reculer rapidement. La reproduction recommencera quand le bouton est relâché.

Reproduction/Pause pendant la reproduction du disque

Appuyez sur le bouton **1/2** (8) pour suspendre la reproduction du disque. Appuyez de nouveau sur le bouton **1/2** pour reprendre la reproduction.

Prévue des pistes

Appuyez sur le bouton **2/INT** (6) pour jouer les dix premières secondes de chaque piste en séquence. Appuyez de nouveau sur le bouton **2/INT** pour laisser tomber le balayage d'introduction et reprendre le jeu normal de la piste courante.

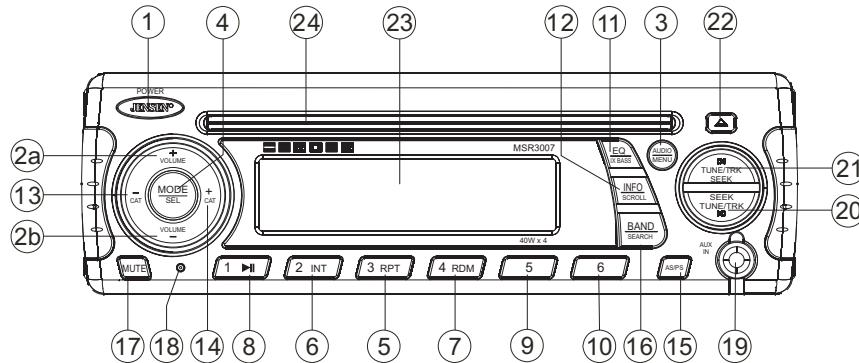
Reproduction répétée

Appuyez sur le bouton **3/RPT** (5) pendant la reproduction du disque pour répéter la piste courante. Appuyez de nouveau sur **3/RPT** pour arrêter la répétition.

Reproduction au hasard

Appuyez sur le bouton **4/RDM** (7) pendant la reproduction du disque pour jouer toutes les pistes dans un ordre mélangé au hasard. Appuyez de nouveau sur le bouton **4/RDM** pour arrêter la reproduction au hasard..

OPERATION RADIO SIRIUS



Changer à la mode Sirius (Exige un tuner Sirius facultatif)

Appuyez sur le bouton **MODE** (4) pour changer la mode à la mode radio Sirius.

Accéder à votre identité Sirius

1. En mode Sirius, appuyez et maintenez l'appui sur le bouton **BAND/SEARCH** (16) pour sélectionner la mode Directe.
2. Appuyez sur le bouton **MODE** pour activer la mode Directe.
3. Appuyez sur le bouton **MODE** pour chaque chiffre pour entrer « 000 ».
4. Appuyez de nouveau sur le bouton **MODE** pour confirmer. Ceci va afficher le numéro d'identité Sirius pour votre tuner.
5. Le numéro d'identité Sirius va se dérouler deux fois et se gèlera avec les 11 premiers chiffres affichés. Appuyez sur le bouton **INFO/SCROLL** pour afficher le chiffre qui reste.

Sélectionnez une bande

En mode Sirius, appuyez sur le bouton **BAND** (16) pour accéder aux groupes de chaînes pré-réglées par l'utilisateur Sirius dans l'ordre suivant : SR1, SR2, SR3.

Syntonisation de catégories

1. Appuyez sur les boutons **CAT +/-** (13, 14) pour changer de catégories. Chaque titre de catégorie et titre de chanson seront affichés en incréments.
2. Lorsque vous êtes dans la mode catégorie, appuyez de nouveau sur les boutons **CAT +/-** pour voir les noms de catégories. (Le numéro de chaîne le plus bas dans la catégorie choisie sera toujours la première chaîne syntonisée par défaut).
3. Appuyez sur le bouton **MODE** (4) ou les boutons **TUNE/TRK >>|** ou **|<<** (18, 19) pour choisir les chaînes désirées dans cette catégorie.
4. Appuyez sur les boutons **TUNE/TRK** pour sélectionner une chaîne dans la catégorie choisie.
5. Appuyez sur le bouton **MODE** pour confirmer la sélection de chaîne.

Syntonisation de chaîne vers le haut/vers le bas

Appuyez sur le bouton **TUNE/TRK >>|** ou **|<<** pour chercher une chaîne. Appuyez et maintenez l'appui sur le bouton **TUNE/TRK** pour chercher rapidement.

Mise en mémoire des chaînes pré-réglées

Les boutons de pré-réglage (5-10) peuvent être utilisés pour mettre en mémoire 6 chaînes permettant un accès commode à vos chaînes favorites.

Programmer des chaînes

1. Sélectionnez la chaîne que vous voulez mettre en mémoire.
2. Appuyez et maintenez l'appui sur un bouton de pré-réglage (5-10) jusqu'à ce que le numéro pré-réglé correspondant apparaisse.
3. Répétez les démarches 1 et 2 ci-dessus pour programmer des chaînes supplémentaires.

Syntonisation rapide

Appuyez sur l'un des boutons de pré-réglage (5-10) pour sélectionner une chaîne pré-réglée directement.

Recherche de chaîne accès direct

1. Appuyez et maintenez l'appui sur le bouton **BAND/SEARCH** (16) pour accéder à la mode Syntonisation Directe. **DIRECT-T** apparaît sur l'affichage pendant quelques secondes.
2. Appuyez sur le bouton **MODE** (4) pour confirmer.
3. Appuyez sur les boutons **TUNE/TRK >>|** ou **|<<** (18, 19) pour vous déplacer entre les trois chiffres.
4. Utilisez les boutons **VOLUME +/-** pour sélectionner un numéro pour chaque position.
5. Appuyez sur le bouton **MODE** pour confirmer chaque chiffre.
6. Appuyez de nouveau sur le bouton **MODE** pour syntoniser le fichier sélectionné.

Affichage d'information alternatif

Appuyez sur le bouton **INFO/SCROLL** (12) pour changer l'information affichée dans l'ordre suivant : Nom de l'artiste, titre de chanson, catégorie, nom de la chaîne.

Force du signal satellite

L'affichage va indiquer la force de réception satellite comme montré ci-dessous.

Force du signal	Exhibition de force
Pas de signal	
Faible	
Bon	
Excellent	

OPERATION IPOD

Cet appareil est équipé d'une fonction « prête pour iPod » qui vous permettra de contrôler votre iPod (si compatible) en utilisant les boutons du panneau de contrôle. Les versions iPod suivantes sont soutenues :

- iPod 3G (progiciels 2.2 seulement)
- iPod Mini
- iPod 4G
- iPod Photo
- iPod Nano
- iPod 5G (Video)

A NOTER : iPod et le câble iPod sont vendus séparément.

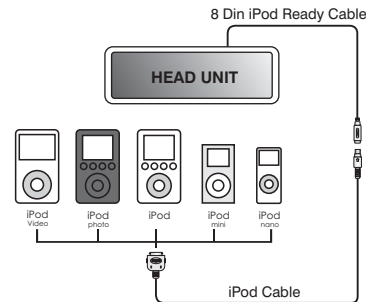
Accéder la mode iPod

Pour revenir au menu iPod de n'importe quelle source, appuyez sur le bouton **MODE** sur le panneau de contrôle ou la télécommande jusqu'à ce que iPod apparaisse sur l'affichage.

Mettre l'iPod en marche/en arrêt

La puissance iPod se met en marche automatiquement lorsqu'un iPod est branché au câble iPod à 30 aiguille, aussi longtemps que le véhicule est allumé. Vous pouvez mettre l'iPod en arrêt en le débranchant du câble iPod ou mettant l'allumage en arrêt. Lorsque l'allumage est mis en arrêt, l'iPod fera une pause et puis entrera dans la mode sommeil après 2minutes. Pendant que l'iPod est branché, la puissance ne peut pas être mis en marche ou en arrêt à partir d'iPod lui-même.

A NOTER : L'iPod va se charger d'une manière continue lorsqu'il est branché à l'appareil, aussi longtemps que l'allumage du véhicule est en marche.



Contrôler la reproduction

Faire pause pendant la reproduction

Pendant la reproduction, appuyez sur le bouton **1/>>||** pour faire pause. « Pause » va apparaître dans l'affichage. Appuyez de nouveau sur le bouton **1/>>||** pour reprendre la reproduction.

Reproduction répétée

Pendant la reproduction, appuyez sur le bouton **3/RPT** (5) pour répéter la chanson actuelle. « Repeat » va apparaître sur l'affichage aux cristaux liquides. Appuyez de nouveau sur **3/RPT** pour arrêter la répétition de la reproduction.

Reproduction au hasard

Pendant la reproduction, appuyez sur le bouton **4/RDM** (7) pour jouer toutes les chansons dans la catégorie actuelle dans un ordre mélangé. La reproduction au hasard commencera dès que la chanson actuelle est terminée. « Shuffle » va apparaître sur l'affichage aux cristaux liquides. Appuyez de nouveau sur **4/RDM** pour arrêter la reproduction au hasard.

Sélection des pistes

Pendant la reproduction, appuyez sur les boutons **TUNE/TRK >>|** ou **|<<** pour jouer la piste prochaine ou précédente dans la catégories actuelle. Appuyez une fois sur le **TUNE/TRK |<<** pour jouer la chanson depuis la position de départ ou appuyez deux fois sur le bouton **TUNE/TRK |<<** pour jouer la piste précédente. Appuyez et maintenez l'appui sur les boutons **TUNE/TRK >>|** ou **|<<** pour faire avance ou recul rapide.

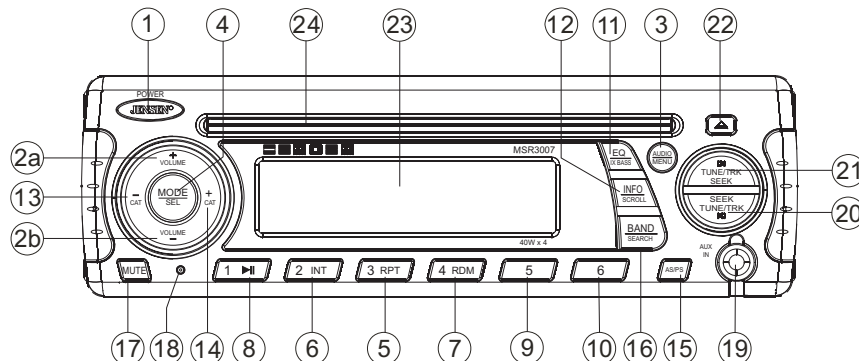
A NOTER : Si vous appuyez et maintenez l'appui sur les bouton TUNE/TRK >>| ou |<< pour changer la chanson actuelle à la chanson prochaine ou précédente, vous allez sortir de la mode avance et recul rapide.

Affichage d'information alternatif

Appuyez sur le bouton **INFO/SCROLL** (12) pour changer l'information affichée dans l'ordre suivant : ARTIST NAME (Nom de l'artiste) > SONG TITLE (titre de la chanson) > FOLDER NAME (nom du répertoire).

Mode recherche

Appuyez et maintenez l'appui sur le bouton **BAND/SEARCH** (16) pour entrer dans la mode de recherche iPod. Appuyez de nouveau sur **BAND/SEARCH** pour accéder à la liste de reproduction, l'artiste, l'album, le genre, la chanson ou le compositeur. Lorsque la mode de recherche est sélectionnée, appuyez sur le bouton **MODE** (4) pour confirmer la sélection. Utilisez les boutons de **VOLUME +/-** (2) pour naviguer à travers les listes de sélection diverses. Appuyez sur **MODE** (4) pour faire votre sélection finale.



SOIN ET ENTRETIEN

- Gardez le produit sec. S'il devient moite, essuyez tout de suite. Des liquides peuvent contenir des minéraux qui peuvent endommager les circuits électroniques.
- Gardez le produit loin de la poussière et des ordures, qui peut prématurément usé les parties.
- Manipuler le produit doucement et avec soin. Si vous le laissez tomber, cela peut endommager les bords de circuits, et peut produire un mauvais fonctionnement du produit.
- Essuyez le produit de temps en temps avec un tissu moite pour qu'il paraisse neuf. N'utilisez pas de produits chimiques corrosifs, des détergents, ou des solutions de nettoyage pour nettoyer le produit.
- Utilisez et gardez le produit dans des températures normales. Des hautes températures peuvent raccourcir la vie des produits électroniques, endommager les piles, et fondre les plastiques.

Allumage

La source de bruit le plus commun dans la réception est l'allumage. Cela résulte de l'emplacement de la radio près du système d'allumage (le moteur). Ce type de bruit peut être facilement détecté parce que son intensité variera avec la vitesse du moteur.

Normalement, le bruit de l'allumage peut être supprimé en utilisant un fil d'allumage haut voltage du type suppression de la radio et un résisteur supprimeur dans le système d'allumage. (La plupart des vaisseaux utilise ce fil et résisteur, mais il peut être nécessaire de les contrôler pour une opération bonne). Une autre méthode de suppression est d'utiliser les supprimeurs de bruit supplémentaires. On peut les procurer des magasins de radio et fournitures électroniques CB/A.

Interférence

La réception radio dans un environnement mobile est très différent de la réception radio dans un environnement stationnaire. Il est très important de comprendre cette différence.

La réception AM va se détériorer lorsque vous passez sous un pont ou sous les lignes de haut voltage. Bien que AM soit sujet à des bruits environnementaux, il a la capacité de recevoir à une grande distance. Ceci parce que les signaux de transmission suivent la courbe de la terre et sont réfléchis par l'atmosphère supérieur.

DÉPANNAGE

Symptôme	Cause	Solution
Pas de puissance	L'interrupteur accessoire du vaisseau n'est pas en marche	Si l'alimentation est bien branchée à la borne accessoire du vaisseau, changez le commutateur d'allumage à ACC
	Le fusible est sauté	Remplacez le fusible
Disque ne peut pas être chargé ou éjecté	Présence d'un disque CD à l'intérieur de la platine	Enlevez le disque dans la platine et en insérez un nouveau..
	Insérez un disque dans la direction contraire	Insérez un disque compact avec l'étiquette en haut.
	Le disque compact est très sale ou le disque est défectueux	Nettoyez le disque ou essayez d'en jouer un nouveau.
	Condensation	Laissez la platine en arrêt pour une heure environ et puis essayer de nouveau.
Pas de son	Le volume est trop bas	Ajustez le volume à un niveau audible
	Le câblage n'est pas bien branché	Vérifiez les connexions
Les clés d'opération ne fonctionnent pas	Le panneau du contrôle n'est pas bien installé	Réinstallez le panneau du contrôle
	L'ordinateur encastré ne fonctionne pas à cause du bruit	Appuyez sur le bouton RESET
Le son saute	L'angle d'installation est plus de 30°	Ajustez l'angle d'installation à moins de 30°.
	Le disque est sale ou défectueux	Nettoyez le disque et essayez de jouer ou bien utilisez un nouveau disque.
Ne peut pas syntoniser à une station de radio, auto-recherche ne fonctionne pas	Le câble d'antenne n'est pas branché	Insérez le câble d'antenne
	Les signaux sont trop faibles	Sélectionnez une station à la main

SPECIFICATIONS

CD

Rapport signal au bruit > 75 dB
 Séparation des chaînes More than 50 dB
 Réponse fréquence 20 Hz - 20 kHz

Radio FM

Assurance de Fréquence (USA) 87.5 à 107.9 MHz
 Assurance de Fréquence (Europe) 87.5 à 108 MHz
 Sensibilité (S/N=30dB) 4 μ V
 Rejet d'Image >45 dB
 Séparation Stéréo >25 dB

AM/MW

Chaîne de Fréquence (USA) 530-1720 kHz
 Chaîne de Fréquence (Europe) 522-1620 kHz
 Sensibilité (S/N=20dB) 36 dB

Généralités

Tension d'Opération DC 12 Volts
 Fondre le Système La Terre Négative
 Impédance de Haut Parleurs 4-8 4 ohms par canal
 Commandes de Tonalité:
 Basse (at 100 Hz) : \pm 10 dB
 Aigu (at 10 kHz) : \pm 10 dB
 Rendement de Puissance 40W x 4
 Drainage Courant15 Ampere (max.)
 Commandant Dimensions5.15" (W) x 1.2" (D) x 3.7" (H)
 Tuner/Amp Dimensions8.35" (W) x 6.55" (D) x 2.4" (H)



ASA Electronics Corporation

www.asaelectronics.com

©2007 ASA Electronics Corporation

v.031907

Free Manuals Download Website

<http://myh66.com>

<http://usermanuals.us>

<http://www.somanuals.com>

<http://www.4manuals.cc>

<http://www.manual-lib.com>

<http://www.404manual.com>

<http://www.luxmanual.com>

<http://aubethermostatmanual.com>

Golf course search by state

<http://golfingnear.com>

Email search by domain

<http://emailbydomain.com>

Auto manuals search

<http://auto.somanuals.com>

TV manuals search

<http://tv.somanuals.com>