

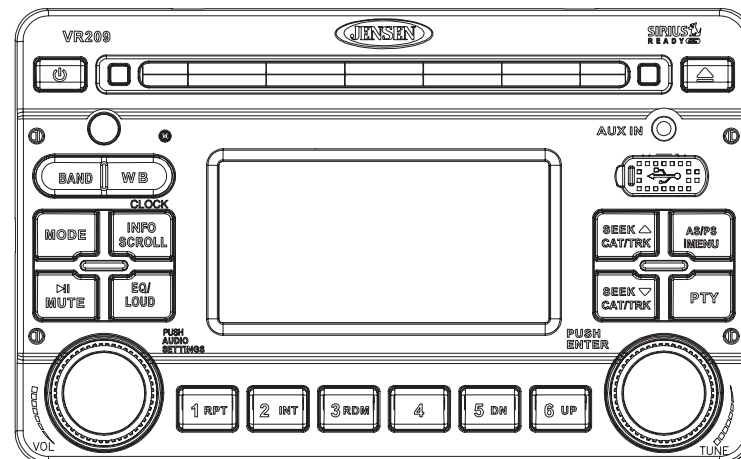


DESIGNED TO MOVE [YOU]

VR209

MOBILE AUDIO SYSTEM

Installation and Operation Manual



SAFETY INFORMATION

When Driving

Keep the volume level low enough to be aware of the road and traffic conditions.

Protect from Water

Do not expose the product to water, as this can cause electrical shorts, fire or other damage.

Protect from High Temperatures

Exposure to direct sunlight for an extended period of time can produce very high temperatures inside your vehicle. Give the interior a chance to cool down before starting playback.

Do not mount radio within close proximity of engine compartment.

Use the Proper Power Supply

This product is designed to operate with a 12 volt DC negative ground battery system.

Protect the Disc Mechanism

Avoid inserting any foreign objects into the disc slot. Misuse may cause malfunction or permanent damage due to the precise mechanism of this unit.

CAUTION:

THIS MOBILE CD PLAYER IS A CLASS I LASER PRODUCT. THIS UNIT USES A VISIBLE/ INVISIBLE LASER BEAM WHICH COULD CAUSE HAZARDOUS RADIATION IF EXPOSED DIRECTLY. BE SURE TO OPERATE THE MOBILE CD PLAYER AS INSTRUCTED.

USE OF CONTROLS OR ADJUSTMENTS OR PERFORMANCE OR PROCEDURES OTHER THAN THOSE SPECIFIED HEREIN MAY RESULT IN HAZARDOUS RADIATION EXPOSURE.

DO NOT OPEN COVERS AND DO NOT REPAIR BY YOURSELF. PLEASE REFER SERVICING TO A QUALIFIED TECHNICIAN.

WARNING:

- TO REDUCE THE RISK OF FIRE OR ELECTRIC SHOCK, DO NOT EXPOSE THIS EQUIPMENT TO WATER.
- TO REDUCE THE RISK OF FIRE OR ELECTRIC SHOCK AND INTERFERENCE, USE ONLY THE RECOMMENDED ACCESSORIES.

DISC NOTES

Depending on the recording status, conditions of the disc, and the equipment used for recording, some CD-Rs/CD-RWs may not play on this unit. For more reliable playback, please adhere to the following recommendations:

- Use CD-RWs with speed 1x to 4x and write with speed 1x to 2x.
- Use CD-Rs with speed 1x to 8x and write with speed 1x to 2x.
- Do not play a CD-RW which has been written more than 5 times.

NOTE: A disc may become scratched (although not enough to make it unusable) depending on how you handle it and other conditions in the usage environment. These scratches are not an indication of a problem with the player.

Compatible Disc Types

Table 1: General Disc Information

Disc Type	Logo	Diameter/ Playable Sides	Playback Time
Audio CD		12 cm single side	74 minutes

NOTE: CD-R and CD-RW discs will not play unless the recording session is closed and the CD is finalized.

Disc Maintenance

- A dirty or defective disc may cause sound dropouts while playing. Before playing, wipe the disc using a clean cloth, working from the center hole towards the outside edge. Never use benzene, thinners, cleaning fluids, anti-static liquids or any other solvent.

<p>Insert label side up.</p>	<p>Do not bend.</p>	<p>Never touch the under side of the disc.</p>	<p>Wipe clean from the center to the edge.</p>
-------------------------------------	----------------------------	---	---

- Be sure to use only round CDs for this unit and do not use any special shape CDs. Use of special shape CDs may cause the unit to malfunction.
- Do not stick paper or tape on the disc. Do not use CDs with labels or stickers attached or that have sticky residue from removed stickers.
- Do not expose discs to direct sunlight or heat sources such as hot air-ducts, or leave them in a vehicle parked in direct sunlight where there can be a considerable rise in temperature inside the vehicle.

INSTALLATION

Before You Begin

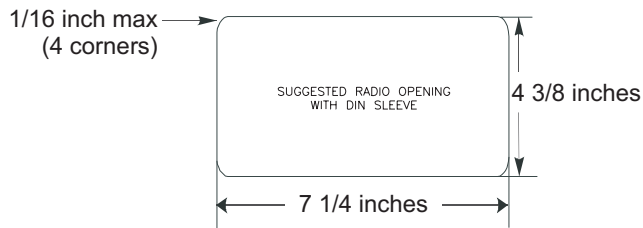
- Disconnect Battery**
Before you begin, always disconnect the battery negative terminal.
- Remove Transport Screws and discard.**

Important Notes

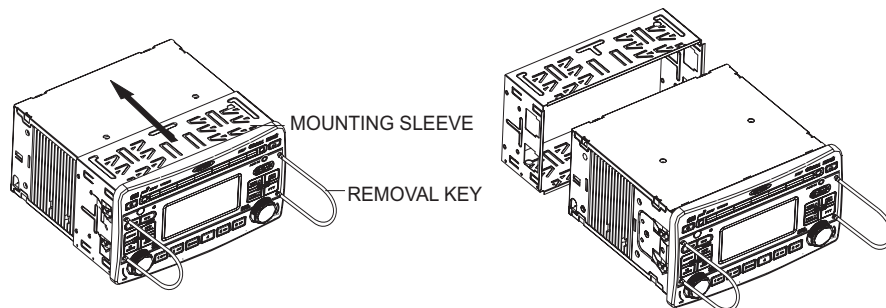
- Before final installation, test the wiring connections to make sure the unit is connected properly and the system works.
- Use only the parts included with the unit to ensure proper installation. The use of unauthorized parts can cause malfunctions.
- Consult with your nearest dealer if installation requires the drilling of holes or other modifications to your vehicle.
- Install the unit where it does not interfere with driving and cannot injure passengers if there is a sudden or emergency stop.
- If the installation angle exceeds 30° from horizontal, the unit might not give optimum performance.
- Avoid installing the unit where it will be subject to high temperatures from direct sunlight, hot air, or from a heater, or where it would be subject to excessive dust, dirt or vibration.

2-DIN Front Mount

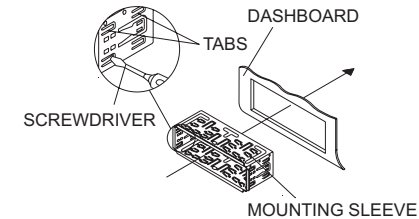
This unit can be installed in a dashboard with an opening of the following dimensions:



1. Slide the mounting sleeve off of the chassis if it has not already been removed. If it is locked into position, use the removal keys (supplied) to disengage it. Insert the keys through the holes in the front panel as far as they will go, and then slide the sleeve off the back of the unit.



2. Check the dashboard opening size by sliding the mounting sleeve into it. If the opening is not large enough, carefully cut or file as necessary until the sleeve easily slides into the opening. Do not force the sleeve into the opening or cause it to bend or bow. Check that there will be sufficient space behind the dashboard for the radio chassis.
3. Locate the series of bend tabs along the top, bottom and sides of the mounting sleeve. With the sleeve fully inserted into the dashboard opening, bend as many of the tabs outward as necessary to firmly secure the sleeve to the dashboard.



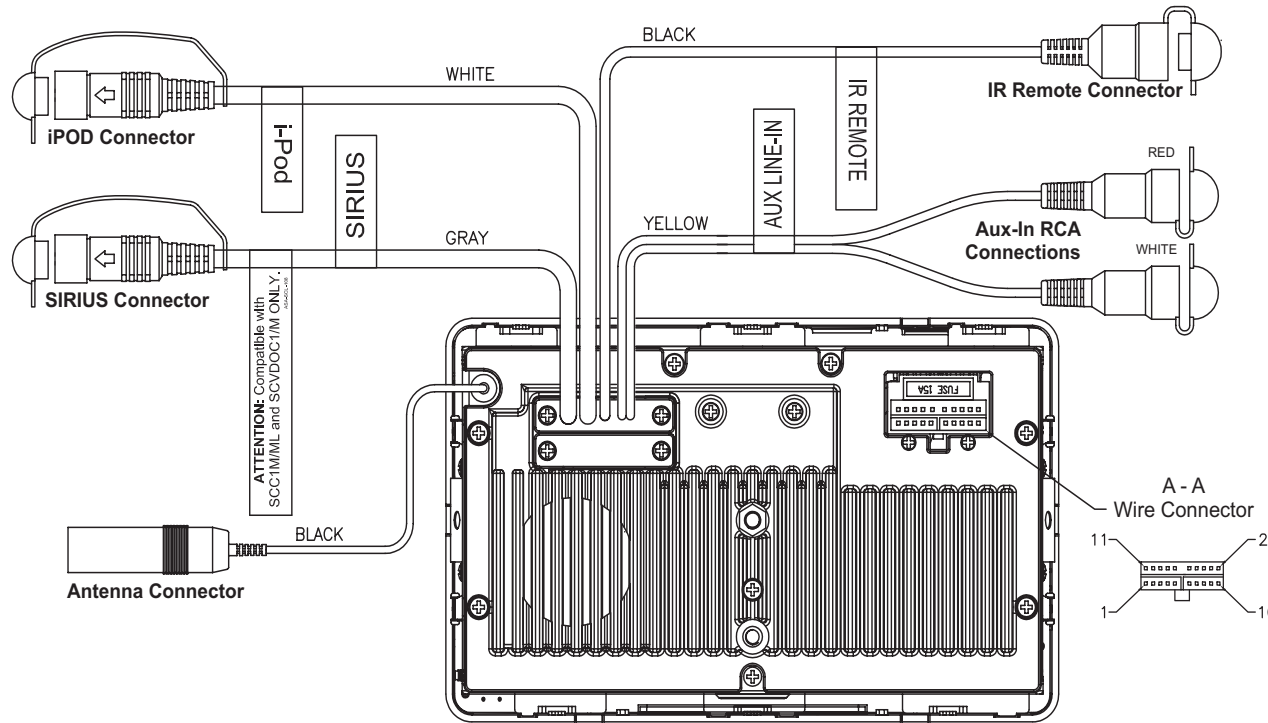
4. Place the radio in front of the dashboard opening so the wiring can be brought through the mounting sleeve.
5. Follow the wiring diagram carefully and make certain all connections are secure and insulated with crimp connectors or electrical tape to ensure proper operation.
6. After completing the wiring connections, reconnect battery and turn the unit on to confirm operation (vehicle ignition switch must be on). If the unit does not operate, recheck all wiring until the problem is corrected. Once proper operation is achieved, turn the ignition switch off and proceed with final mounting of the chassis.
7. Carefully slide the radio into the mounting sleeve making sure it is right-side-up until it is fully seated and the spring clips lock it into place.
8. Test radio operation by referring to the operating instructions for the unit.

Removing the Unit

To remove the radio after installation:

1. Make sure the ignition is turned off, and then disconnect the cable from the vehicle's battery negative (-) terminal.
2. Insert the removal keys straight into the holes on the front of the unit, as far as they will go.
3. Pull the radio straight out.

WIRING



A - A
SHOWN FROM PIN VIEW

PIN NO.	WIRE COLOR	DESCRIPTION
1	GRAY/BLACK	RIGHT FRONT SPEAKER (-)
2	GRAY	RIGHT FRONT SPEAKER (+)
3	VIOLET	RIGHT REAR SPEAKER (+)
4	VIOLET/BLACK	RIGHT REAR SPEAKER (-)
5	EMPTY	NO CONNECTION
6	GREEN	LEFT REAR SPEAKER (+)
7	GREEN/BLACK	LEFT REAR SPEAKER (-)
8	RED	ACCESSORY/IGNITION (+)
9	BLACK/SHIELD	REAR LINE AUDIO NEGATIVE
10	RED	RIGHT REAR PRE-AMP LINE OUT
11	WHITE	LEFT FRONT SPEAKER (+)
12	WHITE/BLACK	LEFT FRONT SPEAKER (-)
13	ORANGE/WHITE	DIMMER CONTROL
14	BLUE	POWER ANTENNA
15	YELLOW	MEMORY/BATTERY (+)
16	BLACK	GROUND
17	EMPTY	NO CONNECTION
18	EMPTY	NO CONNECTION
19	EMPTY	NO CONNECTION
20	WHITE	LEFT REAR PRE-AMP LINE OUT

GROUND

Connect to ground terminal or clean unpainted metal part of chassis.

POWER ANTENNA

Connect to power antenna or amplifier. If not used, tape bare end of wire.

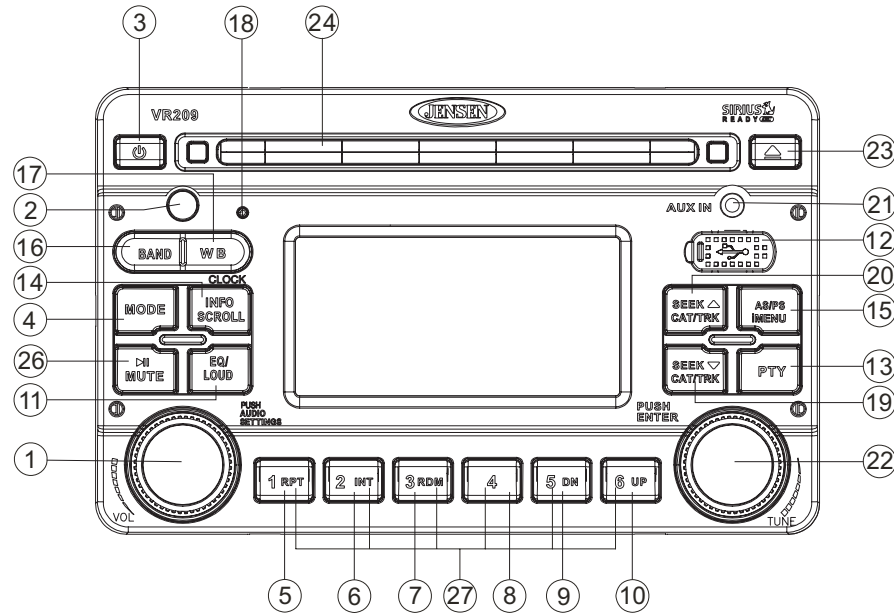
MEMORY/BATTERY (+)

Connect to battery or 12 volt power source that is always live. The radio will not work if this wire is not connected.

ACCESSORY/IGNITION (+)

Connect to existing radio accessory fuse or +12 VDC switched power source.

BASIC OPERATION



Power On/Off

Press the power button (3) to turn the unit on/off.

Volume Control

To increase the volume, rotate the **VOL** control (1) clockwise. The maximum level is "40".

To decrease the volume, rotate the **VOL** control counter-clockwise.

Mute

Press the **MUTE** button (26) on the control panel to mute the audio output. "MUTE" will flash on the LCD display.



Press **MUTE** again to restore the audio output to the previous level.

Bass Level

Mode

Press the **MODE** button (4) on the control panel to select a different mode of operation, as indicated on the display panel. Available modes include TUNER, CD, SIRIUS, IPOD and AUXILIARY.

NOTE: IPOD or SIRIUS mode will be skipped if the module is not installed.

Adjusting the Clock (INFO SCROLL)

The current time is displayed in the lower right hand corner of the LCD display.

To adjust the clock:

1. Press and hold the **INFO SCROLL** button (14) until the hour flashes on the LCD.
2. Press the **SEEK ^** button (20) to adjust the minutes (*press and hold* to fast forward) within 5 seconds.
3. Press the **SEEK V** button (19) to adjust the hour (*press and hold* to fast forward) within 5 seconds.
4. Press **INFO SCROLL** again to exit time set mode. After 5 seconds, time set mode will exit automatically.

NOTE: If the time mode is set to "12HR" in the setup menu, continue pressing the SEEK V button to change between AM (A) and PM (P).

NOTE: If "P-CLOCK" is turned "ON" in the setup menu, the clock will be displayed in the center of the LCD in large characters when the unit is turned off while the ACC is on.

Reset

Use a ball point pin or thin metal object to press the **RESET** button (18). The reset button should be activated for the following reasons:

- initial installation of the unit when all wiring is completed
- function buttons do not operate
- error symbol on the display

Audio Menu

Press the **VOL/AUDIO SETTINGS** button (1) on the control panel to access the Audio Menu. You can navigate through the Audio Menu items by pressing the **VOL/AUDIO SETTINGS** button repeatedly. Once the desired menu item appears on the display, adjust that option by turning the **VOL/AUDIO SETTINGS** control (1) within 5 seconds. The unit will automatically exit the Audio Menu after five seconds of inactivity. The following menu items can be adjusted.

Use the volume control to adjust the Bass level range from “-6” to “+6”.



Treble Level

Use the volume control to adjust the Treble level range from “-6” to “+6”.

Balance (BAL)

Use the volume control to adjust the Balance between the left and right speakers from “12L” (full left) to “12R” (full right).

Fader (FAD)

Use the volume control to adjust the Fader between the rear and front speakers from “12R” (full rear) to “12F” (full front).

System Menu

1. Press and hold the **VOL/AUDIO SETTINGS** control (1) for more than 3 seconds to enter the system menu.
2. Rotate the **VOL** control (1) to highlight the desired item.
3. Press the **VOL** button (1) to select the highlighted item.
4. Rotate the **VOL** control to select a value.
5. Press the **VOL** button to return to menu selection mode.

The following feature functions can be adjusted:

- Beep Tone (ON/OFF): Turn the audible beep ON/OFF (heard when functions/buttons are selected).
- RADIO AREA (EURO/USA)
- Time Zone: Select Time Zone when in Sirius Mode.
- DST Observed (YES/NO): Choose whether or not Daylight Savings Time is observed in Sirius mode.
- CLOCK FORMAT (12/24 HR)
- Brightness (01 – 10)
- Contrast (01 – 10)
- Pwr On Vol (level 00 – 40): Select an automatic turn-on volume.
- Pwr On Vol (ON/OFF): Turn power on volume feature on/off.
- iPod Auto (ON/OFF): Choose “ON” to automatically switch to iPod mode when an iPod is connected.
- WB Alert (ON/OFF): Choose “ON” to receive weather alerts when broadcasted.
- Alert Pwr (OFF/AUTO): Choose “ON” for the radio to turn on automatically when a weather alert is received.
- P-CLOCK (ON/OFF): Choose “ON” to display the clock in large format when the radio is turned off while ACC is on. When “OFF” the display will be dark.
- Default (NO/YES): Choose yes to restore factory default settings.

Default values: Beep Tone OFF, RADIO AREA USA, CLOCK FORMAT 12HR, Brightness 06, Contrast 06, Pwr On Vol 07, Power On Vol OFF, iPod Auto ON, WB Alert OFF, Alert Pwr OFF, P-CLOCK OFF.

Equalizer

Press the **EQ/LOUD** button (11) to select one of the following equalization sound settings: Flat Rock, Pop, Classical or Off.

Loudness

Press and hold the **EQ/LOUD** button (11) to turn the loudness feature setting on/off. Loudness “ON” is indicated by “LD” in the bottom left corner of the screen.

Auxiliary Input

To access an auxiliary device:

1. Connect the portable audio player to the AUX IN connector on the front panel (21) or to the AUX IN cables on the back of the radio.
2. Press the **MODE** button to select Auxiliary mode.
3. Press **MODE** again to cancel Auxiliary mode and select another available playback mode.

NOTE: The front AUX input overrides the rear Auxiliary Input.

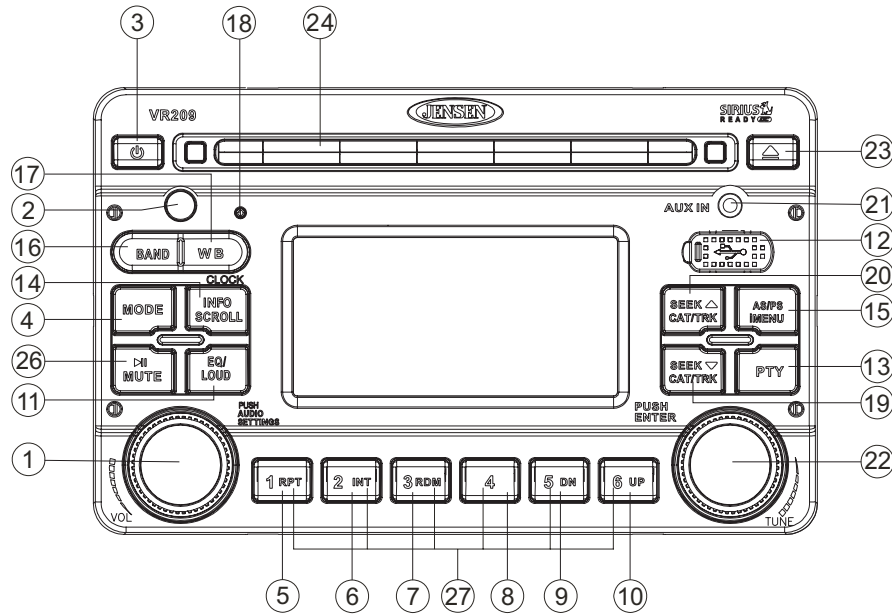
Info/Scroll

When in Sirius Satellite Radio or iPod mode, press the **INFO SCROLL** button (14) to switch between artist and title program information.

Remote Sensor

Point the remote control handset (sold separately) at the remote sensor IR (2) and press the function keys on the handset to control the system.

TUNER OPERATION



Select a Band

Press the **BAND** button (16) on the control panel to change between three FM bands and two AM bands.

Tuning

Rotate the **TUNE/ENTER** control (22) clockwise or counter-clockwise to tune up or down in one step increments. Press the **SEEK ∇** (19) or **SEEK Δ** button (20) to seek the next strong station.

Preset Stations

Six numbered preset buttons store and recall stations for each band (FM1, FM2, FM3, AM1 and AM2).

Store a Station

Tune radio to desired station. *Press and hold* a preset button (27) for three seconds. If the Beep Tone is turned "ON", a beep tone will confirm the stored station and the preset number will appear in the display.

Recall a Station

Select a band (if needed). Press a preset button (27) to select the corresponding stored station.

Automatic Store / Preset Scan (AS/PS)

Automatic Store

Select a band (if needed). *Press and hold* the **AS/PS** (15) button for more than three seconds to automatically select eighteen strong stations for FM or twelve for AM and store them in all bands. New stations replace any stations already stored in that band. After stations have been stored, the radio will enter Preset Scan and preview each stored station.

Preset Scan

Select a band (if needed). Press **AS/PS** (15) to scan stations stored in all bands. The unit will pause for ten seconds at each preset station. Press **AS/PS** again to stop scanning when the desired station is reached.

Weather Band Selection

In any mode, press the **WB** button (17) to access the weather band (NOAA seven frequency broadcast). In weather band mode, the tuner will automatically seek the active weather band automatically and stop.

- Press the **SEEK Δ / V** buttons (20/19) to choose a channel from CH1 – CH7. You can also press the six preset buttons (27) to select CH1 – CH6 directly.
- Press the **BAND** (16) or **MODE** (4) button to exit weather band mode.

NOAA Weather Alert

The VR209 is equipped with a Weather Band Alert (WB Alert) and Weather Alert Power (Alert Pwr) feature that will cause the radio to turn on automatically when a weather alert is detected, adding an additional level of user safety. The radio factory default setting for these features is "OFF". When set to "AUTO", the Weather Alert function automatically switches from any of the available function modes (Tuner, SAT, CD, iPod, AUX) to Weather Band when a NOAA warning tone is received/detected.

See "System Menu" on page 7 to learn how to turn the WB Alert and Alert Power features on.

NOTE: The weather band channel frequency is fixed in preset memory and cannot be changed.

RBDS Operation

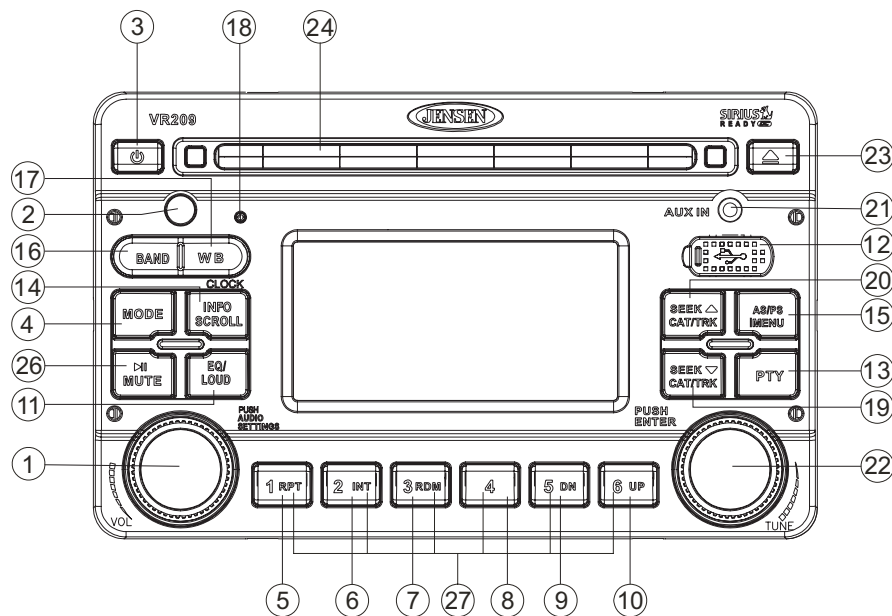
In FM radio mode, press the **PTY** button (13) to list the following search options: ANY / News / Information / Sports / Talk / Rock / Classic Rock / Adult Hits / Soft Rock / Top 40 / Country / Oldies / Soft / Nostalgia / Jazz / Classical / Rhythm and Blues / Soft R&B / Language / Religious Music / Religious Talk / Personality / Public / College / Weather / Emergency Test / Emergency.

Use the **TUNE ENTER** control (22) to select an item from the list, then press **SEEK Δ / V** (20/19) to search the corresponding program. "PTY" will be displayed in the upper right corner of the LCD and the selected PTY category will flash on the screen. If a corresponding program is found, the unit will play the program. If there is no corresponding program, "Not Found" will be displayed on the LCD.

Stereo (ST)

The unit will automatically pick up an FM stereo signal, when available. When in stereo mode, the "ST" icon appears in the display. When no stereo signal is available, the unit will automatically revert to mono operation, and no icon will be displayed.

CD/MP3/WMA OPERATION



Inserting and Ejecting a Disc

Insert a disc, label-side up, into the disc slot (24) with the unit turned on. The unit will automatically draw the disc in and play the first track on the disc.



Press the eject ▲ button (23) to stop disc play and eject the disc. The unit does not have to be turned on to eject the disc.

NOTE: The car ignition does not have to be on to insert/eject a disc.

MP3 Specifications

- A directory that does not include an MP3 file is skipped.
- Maximum number of folders: 512 (including skipped directories)
- Maximum number of folder levels: 12
- Maximum number of MP3 files: 999
- Maximum number of characters for MP3 file name and folder name: 32
- Sampling frequency: 16KHz, 22.05KHz, 24KHz, 32KHz, 44.1KHz, 48KHz.
- Bit rates: maximum 384 Kbps.
- Maximum number of Characters of ID3 Tag:
 - ID3 Tag version 1.0: 32
 - ID3 Tag version 2.x: 32

After loading an MP3 disc, files and folders are accessed in the order in which they were written by the CD writer. Therefore, the playing order may not be the same as the order in which they are expected to played.

Controlling Disc Playback

Selecting Tracks

Press the **SEEK V** (19) or **SEEK ^** button (20) to advance to the next track on the disc. The selected track number will appear on the display. *Press and hold* the **SEEK V** (19) or **SEEK ^** button (20) to fast forward or fast reverse through the disc. Playback begins when the button is released.

For an MP3/WMA disc, press the disc/directory **UP** or **DN** button (10, 9) to skip to the following/previous folder.

Play/Pause Disc Playback

Press the **>||** button (26) to suspend disc play. Press the **>||** button again to resume disc Play.

Previewing Tracks

Press the **INT** button (6) on the control panel to play the first 10 seconds of each track sequentially. Press **INT** again to stop Intro Scan and resume normal play at the current track.

Repeat Play

Press the **RPT** button (5) during disc play to repeat play the current track. Press **RPT** again to stop repeat play.

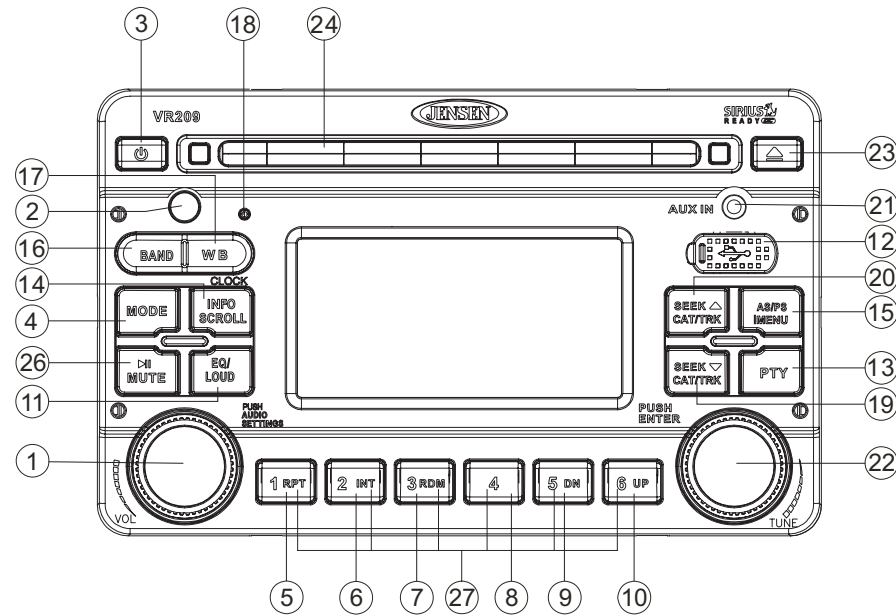
Random Play

Press the **RDM** button (7) on the control panel during disc play to play all tracks on a CD in random, shuffled order. Press **RDM** again to stop random play.

INFO SCROLL Button

In iPod/USB/MP3 mode, press the **INFO SCROLL** button (14) to scroll the Title, Artist, Album information across the LCD.

USB OPERATION



Inserting and Removing a USB Device

Inserting a USB Device

Insert the USB device into the USB jack (12) and the unit will read the files on the USB device automatically.

Removing a USB Device

Press the **MODE**, **WB**, or **BAND** button, insert a CD, or connect an iPod to change to another mode and then remove the USB device from the USB connector.

Accessing USB Mode

Press the **MODE** button (4) to access the USB device from any other mode.

NOTE: After loading an MP3 disc or USB device, files and folders are accessed in the order in which they were written to the device. Therefore, the playing order may not be the same as the order in which they are expected to played.

Controlling Song File Playback

Selecting Tracks

Press the **SEEK V** (19) or **SEEK A** button (20) to advance to the next file. The selected file name will appear on the display. *Press and hold* the **SEEK V** (19) or **SEEK A** button (20) to fast forward or fast reverse through the current file. Playback begins when the button is released.

Press the **UP** or **DN** button (10, 9) to skip to the following/previous folder.

Play/Pause Disc Playback

Press the **>||** button (26) to suspend playback. Press the **>||** button again to resume playback.

Previewing Tracks

Press the **INT** button (6) on the control panel to play the first 10 seconds of each file sequentially. Press **INT** again to stop Intro Scan and resume normal playback of the current file.

Repeat Play

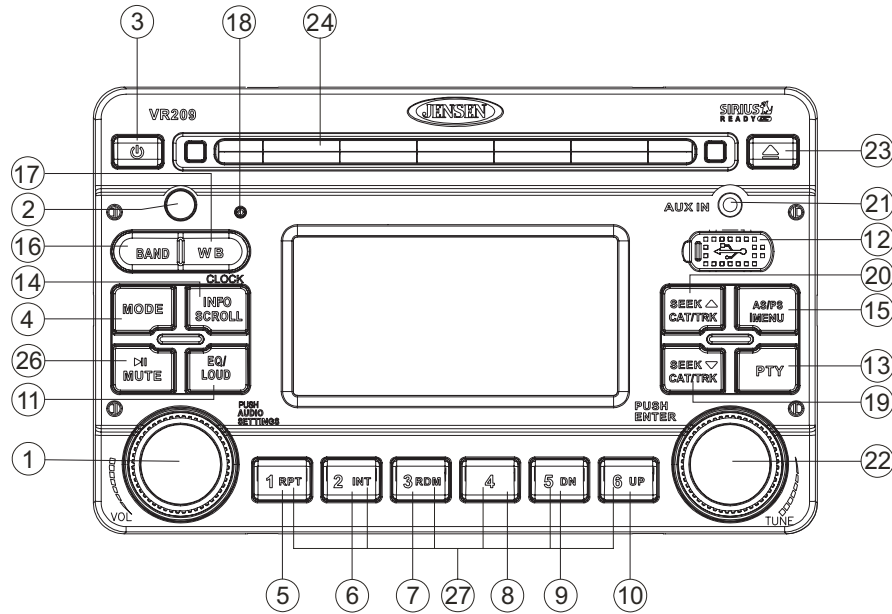
Press the **RPT** button (5) during disc play to repeat the current file. Press **RPT** again to stop repeat play.

Random Play

Press the **RDM** button (7) to play all files in random, shuffled order. Press **RDM** again to stop random play.

NOTE: USB will not work with iPod. USB will not charge all devices.

SIRIUS RADIO OPERATION



Switching to SIRIUS Mode

Press the **MODE** button (4) to change the mode to Sirius Satellite Radio mode.

Activating Sirius Satellite Radio

Before you listen to Sirius Radio, you must subscribe to the service using your radio's identification number. To display the Radio ID, press the **SEEK \wedge** or **SEEK \vee** button (20, 19) to access channel "000". The screen displays "SID" followed by an 12 figure ID number.

Selecting a Band

In Sirius mode, press the **BAND** button (16) to access the Sirius user-preset channel groups in the following order: SIR1, SIR2, SIR3.

Tuning a Channel

Rotate the **TUNE/ENTER** control (22) clockwise or counter-clockwise to tune up or down in one step increments.

The channel information display can be changed to emphasize either Artist, Song Title or Album information by pressing the **INFO SCROLL** button (14).

Storing Preset Channels

The preset buttons (27) can be used to store 6 channels per band (SIR1, SIR2 and SIR3), allowing convenient access to your favorite channels.

Programming Channels

1. Select the channel you want to store in memory.
2. *Press and hold* a preset button (27) until the corresponding preset button number appears on the screen.
3. Repeat steps 1 and 2 to program additional channels.

Recalling a Preset Channel

Press one of the six preset buttons (27) within a selected band to tune a preset channel directly.

Auto Store/Preset Scan

Preset Scan

Press the **AS/PS** button (15) to preview each stored preset channel in SIR1, SIR2 and SIR3 for 10 seconds. Press the **AS/PS** button again to stop scanning and play the current channel.

Preset Tune

In Sirius mode, *press and hold* the **AS/PS** button (15) to start the Preset Tuning Mode. This will allow the sequential tuning of the SR1, SR2 and SR3 preset channels when the **TUNE/ENTER** control (22) is used. *Press and hold* the **AS/PS** button again to deactivate Preset Tuning Mode.

SIRIUS Tuning Modes

Category Mode

Press the **SEEK/CAT/TRK \wedge / \vee** buttons (20/19) to view available categories.



Each category title and associated channels will be displayed in increments. While in the category mode, the individual channels within a category may be accessed by rotating the **TUNE/ENTER** control (22). Once a highlighted channel has been selected, press the **TUNE/ENTER** control to tune to that channel. While viewing a category list, press the **INFO SCROLL** button to change display information between Channel Name, Artist, or Song Title.

Direct Tune Mode

1. *Press and hold* the **TUNE/ENTER** control (22) to switch to Direct Tune/Skip Channel mode. After accessing Direct mode, "DIRECT _ _ _" appears on the display.
2. Turn the **TUNE/ENTER** control (22) to select a number for the hundreds digit position.
3. Press the **TUNE/ENTER** control to confirm entry of the hundreds digit. The tens digit will flash on/off.
4. Turn the **TUNE/ENTER** control to select a number for the tens digit position.
5. Press the **TUNE/ENTER** control again to confirm entry of the tens digit. The ones digit will flash on/off.
6. Turn the **TUNE/ENTER** control to select a number for the ones digit position.

- Press the **TUNE/ENTER** control to tune to the selected channel.

Parental Lock

User code setting

- Press and hold the **PTY** button (13) to access user code setting mode. "CODE: _ _ _ _" appears on the screen indicating that the user should input the default user code.
- Press the preset buttons labeled **1 - 6** to enter the 4-digit code (default value is "1111"). The input is represented as "*****" for privacy. If no input is made within 3 seconds, the screen will return to SIRIUS mode.

NOTE: If the wrong code is entered, "INCORRECT" is displayed on the screen. After three incorrect entries, the unit will return to SIRIUS mode.

- After entering the default code, "NEW: _ _ _ _" appears on the screen indicating that the user should enter a new code.
- Press the preset buttons labeled **1 - 6** to enter a new the 4-digit code. If no input is made within 10 seconds, the screen will return to radio mode.
- After entering a new code, "CONFIRM _ _ _ _" appears on the screen indicating that the user should re-enter the new code.
- Press the preset buttons labeled **1 - 6** to re-enter the new the 4-digit code and confirm.
- If the new code is correctly entered twice, "CODE SAVED" appears on the screen and the radio returns to SIRIUS mode.

Lock a Channel

- In Sirius mode, tune to the channel you want to lock.
- Press and hold the **MODE** button (4) for 3 seconds. A beep tone is heard and the message "Code: _ _ _ _" appears.
- Enter your user code to lock the channel. "CH Locked" appears and the audio is muted for this channel. When a user returns to this channel, the user code must be entered to hear the audio.
- If a user code is not entered within 3 seconds, the unit returns to the previous channel.

Listen to a Locked Channel

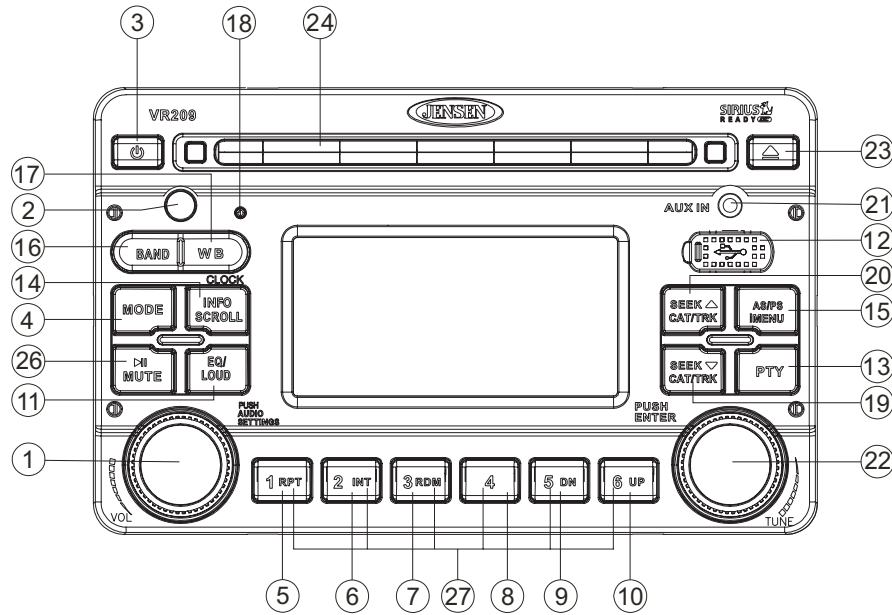
- In Sirius mode, when tuning to a locked channel, the audio output is muted and "CH Locked" appears on the display.
- The listen to a locked channel, enter the user code when "Code: _ _ _ _" appears on the screen.
- Using the **TUNE/ENTER** control, select "Access" to play the audio on the locked channel.
- If a user code is not entered within 3 seconds, the unit returns to the previous channel.
- If the wrong code is entered, "INCORRECT" is displayed on the screen. After three incorrect entries, the unit will return to the previous channel.

Unlock Channel

To unlock a locked channel, tune to that channel and enter the user code when "Code: _ _ _ _" appears on the screen. Using the **TUNE/ENTER** control, select "UNLOCK" to release the channel from lock for continued access. Mute for this channel will be deactivated and the channel will remain unlocked.

NOTE: The master unlock code is "3511" and cannot be changed. This code will unlock all locked channels. Please note this code and keep it in a safe place.

iPod OPERATION



Controlling Playback

Play/Pause

Press the >|| button (26) to suspend playback. Press the >|| button again to resume playback.

Repeat Play

Press the **RPT** button (5) to repeat play the current song. Press **RPT** again to stop repeat play

Random Play

During playback, press the **RDM** button (7) to play all songs in the current category in random order. Random play will begin once the current song has finished playing. Press **RDM** again to stop random playback.

Selecting Tracks

During playback, press the **SEEK V / ^** button (19, 20) to play the previous or next track in the current category. Press the **SEEK ^** button (20) once to play the song from the start position or press **SEEK V** twice to play the previous track.

Press and hold the **SEEK V / ^** button (19, 20) to fast reverse/forward the song. iPod playback will continue when the button is released.

Accessing iPod Mode

If AUTO IPOD "ON" is selected in the system menu, your iPod will play automatically when connected to the unit. "iPod" will appear in the upper left corner of the display.

If AUTO IPOD "OFF" is selected in the system menu, your iPod will not play automatically when connected. In this case, press the **MODE** button (4) to change to IPOD mode.

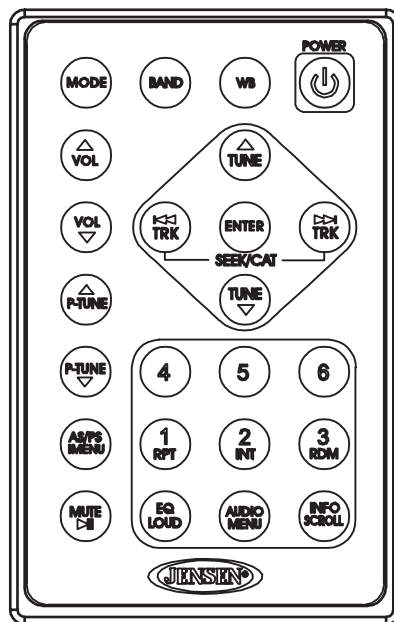
If you press the **BAND, WB** or **MODE** button during iPod playback, the iPod will resume playback when you return to IPOD mode.

Selecting a Playlist

1. When an iPod is playing, press the **AS/PS/iMENU** button (15) to display the playlists on the LCD.
2. Turn the **TUNE/ENTER** control (22) to change the playlist between Artist / Album /Genre / Song / Composer.
3. Press the **TUNE/ENTER** control to confirm the selected playlist.
4. While searching a playlist, press the **AS/PS/iMENU** button (15) to navigate.

REMVRCC CARD REMOTE CONTROL (SOLD SEPARATELY)

- **POWER:** Powers on/off.
- **MODE:** Cycles through all available play modes (Radio, CDP, SAT, iPod, Aux).
- **VOL \wedge / V:** Adjusts volume level.
- **AUDIO MENU:** Accesses Audio and System Menu.
- **ENTER:** Enter key.
- **TUNE \wedge /TUNE V:** Changes frequency/channel by one step in AM/FM/SAT modes.
- **P-TUNE \wedge / V:** Navigate/tune to preset stations.
- **MUTE:** Mutes audio in all modes.
- **WB:** Directly accesses weatherband.
- **BAND:** Sequences bands/preset-banks (FM1, FM2, FM3, AM1, AM2) in Radio mode. Sequences preset banks (SAT1, SAT2, SAT3) in satellite mode.
- **AS/PS MENU:** Scans all stored presets in SAT or radio mode (any button press during PS will stop the scan).
- **INFO SCROLL:** Sets clock. Scrolls information.
- **|<< TRK/TRK >>|/SEEK/CAT:** Select next/previous track, file or station. *Press and hold* to seek next/previous station. Navigate list in iPod mode. Changes category in SAT/iPod mode.
- **EQ LOUD:** Turns on/selects preset Equalizer functions.



CARE AND MAINTENANCE

- Keep the product dry. If it does get wet, wipe it dry immediately. Liquids might contain minerals that can corrode the electronic circuits.
- Keep the product away from dust and dirt, which can cause premature wear of parts.
- Handle the product gently and carefully. Dropping it can damage circuit boards and cases, and can cause the product to work improperly.
- Wipe the product with a dampened cloth occasionally to keep it looking new. Do not use harsh chemicals, cleaning solvents, or strong detergents to clean the product.
- Use and store the product only in normal temperature environments. High temperature can shorten the life of electronic devices, damage batteries, and distort or melt plastic parts.

Ignition

The most common source of noise in reception is the ignition system. This is often a result of the radio being placed relatively close to the ignition system (engine). This type of noise can be easily detected because it will vary in intensity of pitch with the speed of the engine.

Usually, the ignition noise can be suppressed considerably by using a radio suppression type high voltage ignition wire and suppressor resistor in the ignition system. (Most vehicles employ this wire and resistor, but it may be necessary to check them for correct operation.) Another method of suppression is the use of additional noise suppressors. These can be obtained from most CB/A radio or electronic supply shops.

Interference

Radio reception in a moving environment (automobile) is very different from reception in a stationary (home) environment. AM reception will deteriorate when passing through a tunnel or when passing under high voltage lines. Noise can be picked up from passing automobiles. Although AM is subject to environmental noise, it can be received at great distances. This is because broadcasting signals follow the curvature of the earth and are reflected back by the upper atmosphere.

TROUBLESHOOTING

Symptom	Cause	Solution
No power	The vehicle's ignition is not on	If the power supply is properly connected to the vehicle accessory terminal, switch the ignition key to "ACC".
	The fuse is blown	Replace the fuse.
Disc cannot be loaded or ejected	Presence of CD disc inside the player	Remove the disc in the player and insert the new one.
	Inserting the disc in reverse direction	Insert the compact disc with the label facing upward.
	Compact disc is extremely dirty or disc is defective	Clean the disc or try to play a new one.
	Temperature inside the vehicle is too high	Wait until the ambient temperature returns to normal.
	Condensation	Leave the player off for an hour or so, then try again.
No sound	Volume is too low	Adjust volume to audible level.
	Fader is set incorrectly	Press AUDIO button to access menu and adjust Fader settings.
	Wiring is not properly connected.	Check wiring connections.
The operation keys do not work	The built-in microcomputer is not operating properly due to noise	Press the RESET button.
Sound skips	The installation angle is more than 30 degrees.	Adjust the installation angle to less than 30 degrees.
	The disc is dirty or defective.	Clean the disc and try to play again or use new disc.
Cannot tune to radio station, auto-seek does not work	The antenna cable is not connected.	Insert the antenna cable firmly.
	The signals are too weak.	Select a station manually.
Radio automatically switches to WB (Weather Band)	This is a normal function. A Weather Band warning is being received.	If you do not want this to occur, set the WB Alert setting to "OFF" in the System menu.
Radio automatically turns on (ignition on) and tunes to WB (Weather Band)	This is a normal function when the Alert Pwr feature is set to "AUTO" in the system menu. A Weather Band warning is being received.	If you do not want this to occur, set the Alert Pwr setting to "OFF" in the System menu.

SPECIFICATIONS

CD

Signal to Noise Ratio ≥ 60 dB
Channel Separation : More than 50 dB
Frequency Response : 40Hz - 18 kHz
CD Format Compatibility CD-DA, CD-R, CD-RW

FM Radio

Frequency Range (USA) 87.5 to 107.9 MHz
Frequency Range (Europe) 87.5 to 108 MHz
Sensitivity (S/N=30dB) 4μ V
Image Rejection >45 dB
Stereo Separation >25 dB

AM/MW

Frequency Range (USA) 530-1710KHz
Frequency Range (Europe) 522-1620KHz
Sensitivity (S/N=20dB) 36 dB

General

Operating Voltage DC 12 Volts
Grounding System Negative Ground
Speaker Impedance 4-8 ohms per channel
Tone Controls:
 Bass (at 100 Hz) : ± 10 dB
 Treble (at 10 kHz) : ± 10 dB
Power Output 50W x 4
Current Drain 15 Ampere (max.)
Dimensions 80 (W) x 183 (D) x 100 (H)
Digital Media File Format Compatibility MP3, WMA



ASA Electronics Corporation

www.asaelectronics.com

www.jensenvdirect.com

© 2009 ASA Electronics Corporation

v.020209

Free Manuals Download Website

<http://myh66.com>

<http://usermanuals.us>

<http://www.somanuals.com>

<http://www.4manuals.cc>

<http://www.manual-lib.com>

<http://www.404manual.com>

<http://www.luxmanual.com>

<http://aubethermostatmanual.com>

Golf course search by state

<http://golfingnear.com>

Email search by domain

<http://emailbydomain.com>

Auto manuals search

<http://auto.somanuals.com>

TV manuals search

<http://tv.somanuals.com>