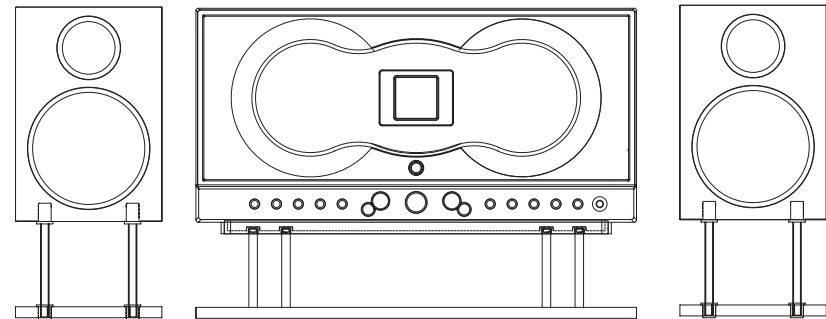


JENSEN®

JMC-670

**WALL MOUNTABLE FRONT
LOADING DUAL MP3 CD SYSTEM
WITH DIGITAL TUNER AND
REMOTE CONTROL**



INSTRUCTION MANUAL

Please read and follow this instruction manual carefully before using the unit and retain it for future reference

WARNING

TO PREVENT FIRE OR SHOCK HAZARD, DO NOT USE THIS PLUG WITH AN EXTENSION CORD, RECEPTACLE OR OTHER OUTLET UNLESS THE BLADES CAN BE FULLY INSERTED TO PREVENT BLADE EXPOSURE. TO PREVENT FIRE OR SHOCK HAZARD, DO NOT EXPOSE THIS APPLIANCE TO RAIN OR MOISTURE.

 <p>The lightning flash with arrowhead symbol, within an equilateral triangle is intended to alert the user to the presence of uninsulated dangerous voltage within the products enclosure that may be of sufficient magnitude to constitute a risk of electric shock to persons.</p>	CAUTION RISK OF ELECTRIC SHOCK DO NOT OPEN <p>WARNING: TO REDUCE THE RISK OF ELECTRIC SHOCK DO NOT REMOVE COVER (OR BACK), NO USER SERVICEABLE PARTS INSIDE REFER SERVICING TO QUALIFIED SERVICE PERSONNEL.</p>	 <p>The exclamation point within an equilateral triangle is intended to alert the user to the presence of important operating and maintenance (servicing) instructions in the literature accompanying the appliance.</p>
--	---	---

IMPORTANT SAFETY INSTRUCTIONS

1. Read these instructions.
2. Keep these instructions
3. Heed all warnings.
4. Follow all instructions
5. Do not use this apparatus near water
6. Cleaning-Unplug this product from the wall outlet before cleaning, Do not use liquid cleaners or aerosol cleaners. Use a dry cloth for cleaning
7. Do not block any ventilation openings. Install in accordance with the manufacturer's instructions.
8. Do not place this product on an unstable cart, stand, tripod, bracket, or table .The product may fall, causing serious injury to a child or adult, and serious damage to the product. Use only with a cart, stand, tripod, bracket, or table recommended by the manufacturer, or sold with the product. Any mounting of the product should follow the manufacturer's instructions, and should use a mounting accessory recommended by the manufacturer. 

A Product and Cart Combination Should Be Moved with Care-Quick stops, excessive force and uneven surfaces may cause the product and cart combination to overturn.
9. Do not install near any heat sources such as radiators, heat registers, stoves, or other apparatus (including amplifiers) that produce heat.
10. Do not defeat the safety purpose of the polarized or grounding-type plug. A polarized or grounding-type plug. A polarized plug has two blades with one wider than the other. A grounding type plug has two blades and a third grounding prong. The wide blade or the third prong is provided for your safety. If the provided plug does not fit into your outlet, consult an electrician for replacement of the obsolete outlet.
11. Protect the power cord from being walked on or pinched particularly at plugs convenience receptacles, and the point where they exit from the apparatus.
12. Only use attachments/accessories specified by the manufacturer.
13. Unplug this apparatus during lightening storms or when unused for long periods of time.
14. Refer all servicing to qualified service personnel. Servicing is required when the apparatus has been damaged in any way, such as power-supply cord or plug is damaged, liquid has been spilled or objects have fallen into the apparatus, the apparatus has been exposed to rain or moisture, does not operate normally, or has been dropped.
15. This appliance shall not be exposed to dripping or splashing water and that no object filled with liquids such as vases shall be placed on the apparatus.
16. Do not overload wall outlet. Use only power source as indicated.
17. Use replacement part as specified by the manufacturer.
18. The product may be mounted to a wall only if recommended by the manufacturer.
19. Upon completion of any service or repairs to this product, ask the service technician to perform safety checks.

E-1


FCC INFORMATION

This equipment has been tested and found to comply with the limits for a Class B digital device, pursuant to Part 15 of the FCC Rules. These limits are designed to provide reasonable protection against harmful interference in a residential installation. This equipment generates, uses, and can radiate radio frequency energy and, if not installed and used in accordance with the instructions, may cause harmful interference to radio communications. However, there is no guarantee that interference will not occur in particular installation. If this equipment does cause harmful interference to radio or television reception, which can be determined by turning the equipment off and on, the user is encouraged to try to correct the interference by one or more of the following measures:

- Reorient or relocate the receiving antenna.
 - Increase the separation between the equipment and receiver.
 - Connect the equipment into an outlet on a circuit different from that to which the receiver is connected.
 - Consult the dealer or an experienced radio/TV technician for help.
- This device complies with Part 15 of the FCC Rules. Operation is subject to the following two conditions:
- (1) This device may not cause harmful interference, and
 - (2) This device must accept any interference received, including interference that may cause undesired operation.

IMPORTANT NOTES

CLASS 1 LASER PRODUCT

CLASS 1 LASER PRODUCT APPAREIL À LASER DE CLASSE 1 PRODUCTO LASER DE CLASE 1	CAUTION INVISIBLE LASER RADIATION WHEN OPEN AND INTERLOCKS DEFEATED. AVOID EXPOSURE TO BEAM	
--	---	---

This product contains a low power Laser Device.

- Avoid installing this unit in places exposed to direct sunlight or close to heat radiating appliance such as electric heaters, on top of other stereo equipment that radiates too much heat, places lacking ventilation or dusty areas, places subject to constant vibration and/or humid or moist areas.
- Operate controls and switches as described in the manual.
- Before turning on the power, make certain that the power cord is properly installed.
- Store your CDs in a cool area to avoid damage from heat.
- When moving the set, be sure to first disconnect the AC power cord.
- Do not attempt to clean this unit with chemical solvents as this might damage the finish. Use a clean dry cloth.

E-2

POWER SOURCE

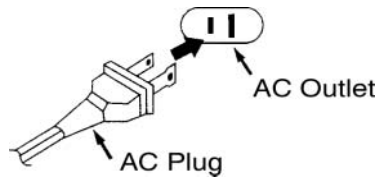
CAUTION:

TO PREVENT ELECTRIC SHOCK, MATCH WIDE BLADE OF PLUG TO WIDE SLOT, AND INSERT FULLY.

This unit is designed to operate only on normal 120V 60Hz AC house current. Operating this unit from any other power source may cause damage to unit and such damage is not covered by your warranty.

This unit has a polarized AC plug with one wide blade and one narrow blade.

This plug will only fit into a matching polarized AC outlet. This is a safety feature to reduce the possibility of electric shock. If this plug will not fit in your AC outlet, you probably have an outdated non-polarized outlet. You should have your outdated outlet changed by a qualified licensed electrician. Do not file the wide blade on the plug, or use an adapter to make the plug fit into your outlet. This defeats the safety feature and could expose you to electric shock.



E-3

TABLE OF CONTENT

WELCOME	5
INDEX TO PARTS AND CONTROLS	5
MAIN UNIT	5
REMOTE CONTROL	6
DISPLAY SECTION	6
INSTALLATION	7
FOR TABLE TOP USE	7
FOR WALL MOUNTING	7
GETTING STARTED	8
SPEAKER CONNECTION.....	8
LINE IN (AUX IN) CONNECTION (OPTIONAL).....	8
SUBWOOFER CONNECTION	8
ANTENNA CONNECTION	8
POWER SUPPLY	8
AC POWER CONNECTION	8
LINE IN (AUX IN) CONNECTION (OPTIONAL).....	8
SUBWOOFER CONNECTION(OPTIONAL)	8
ANTENNA CONNECTION.....	8
POWER SUPPLY	8
AC POWER CONNECTION.....	8
REPLACING BATTERY IN THE REMOTE CONTROL.....	8
CLOCK SETTING.....	9
TO SET THE CURRENT TIME.....	9
COMPACT DISC OPERATIONS.....	9
BASIC DISC(s) PLAY.....	9
PROGRAMMING CD TRACKS.....	10
PROGRAMMING MP3 TRACKS.....	11
ID3 DISPLAY (FOR MP3-CD ONLY).....	11
RADIO OPERATION.....	12
RADIO TUNING.....	12
TO PRESET CHANNELS.....	13
TO RECEIVE PRESET STATIONS.....	13
AUX OPERATION.....	13
PRESET EQ (EQUALIZATION SYSTEM).....	13
USING HEADPHONES (NOT INCLUDED).....	13
SLEEP OPERATIONS.....	14
TIMER OPERATION.....	14
CARE AND MAINTENANCE.....	15
TROUBLESHOOTING GUIDE.....	15
RESETTING THE UNIT.....	16
SPECIFICATION.....	16

E-4

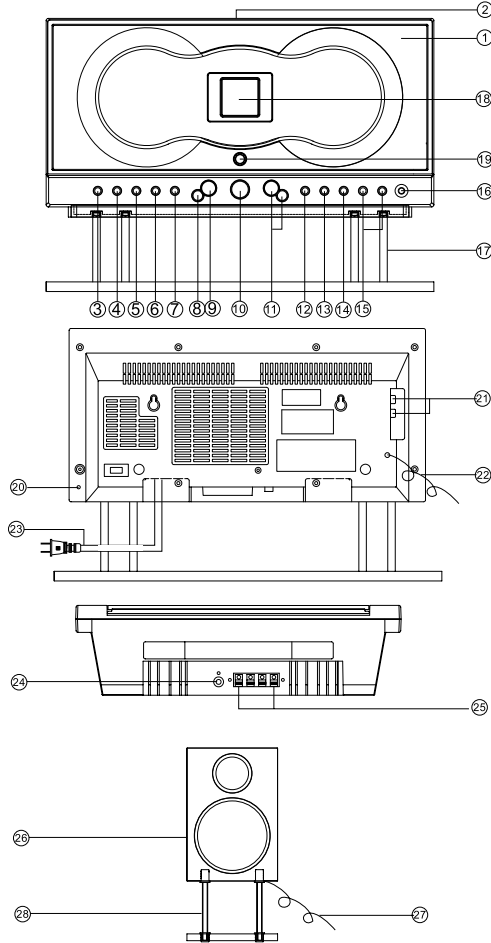
WELCOME

Thank you for purchasing the JENSEN Wall Mountable Front Loading Dual MP3 CD system. Before operating the unit, please read this manual thoroughly and retain it for future reference.

INDEX TO PARTS AND CONTROLS

MAIN UNIT

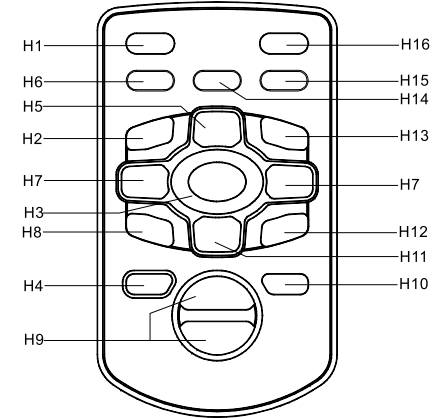
- 1). CD DOOR
- 2). CD DOOR OPEN /CLOSE BUTTON
- 3). FUNCTION BUTTON
- 4). CD 1/2 FUNCTION BUTTON
- 5). ID3 BUTTON
- 6). FOLDER + /MEMO UP BUTTON
- 7). PROGRAM / MEMORY BUTTON
- 8). STOP/BAND BUTTON (■)
- 9). PLAY / PAUSE (▶||)
- 10).ON /STANDBY BUTTON (⏻)
- 11).TUNING / SKIP (◀◀ / ▶▶) BUTTON
- 12). REPEAT BUTTON
- 13). TIMER /SLEEP BUTTON
- 14). EQ BUTTON
- 15). VOLUME UP /DOWN BUTTON
- 16). HEADPHONE JACK
- 17). MAIN UNIT STAND
- 18). MULTI -FUNCTION DISPLAY
- 19). REMOTE SENSOR
- 20). RESET SWITCH
- 21). AUX IN JACK
- 22). FM ANTENNA
- 23). AC LINE CORD
- 24). SUBWOOFER JACK
- 25). SPEAKER TERMINAL
- 26). SPEAKER BOX
- 27). SPEAKER WIRE
- 28). SPEAKER BOX STAND



E-5

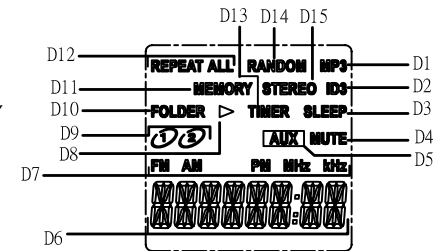
REMOTE CONTROL

- H1. ON/STANDBY BUTTON (⏻)
- H2. ID3 BUTTON
- H3. FUNCTION BUTTON
- H4. DISC 1/2 BUTTON
- H5. PLAY/PAUSE (▶||) - MONO - ST. BUTTON
- H6. MEMO./PROGRAM BUTTON
- H7. TUNING BUTTON (◀◀&▶▶)
- H8. FOLDER - BUTTON
- H9. VOL+ & VOL- BUTTON
- H10. CD DOOR OPEN/CLOSE BUTTON
- H11. STOP / BAND BUTTON (■)
- H12. FOLDER + /MEMO UP BUTTON
- H13. EQ BUTTON
- H14. TIMER/SLEEP BUTTON
- H15. REPEAT BUTTON
- H16. MUTE BUTTON



DISPLAY SECTION

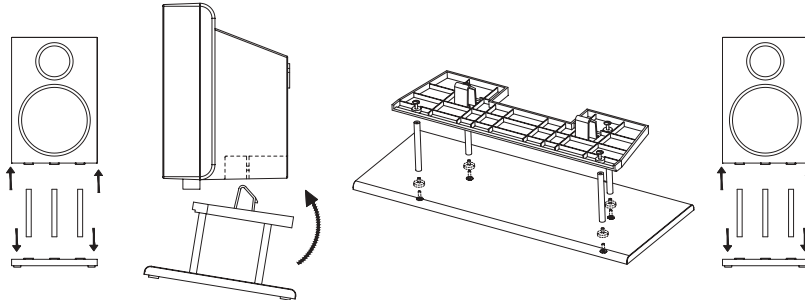
- D1. MP3 INDICATOR
- D2. ID3 INDICATOR
- D3. SLEEP INDICATOR
- D4. MUTE INDICATOR
- D5. AUX INDICATOR
- D6. FREQUENCY / PLAY TIME / CLOCK DISPLAY
- D7. BAND INDICATOR
- D8. PLAYBACK INDICATOR
- D9. CD INDICATOR
- D10. FOLDER INDICATOR
- D11. MEMORY INDICATOR
- D12. REPEAT INDICATOR
- D13. TIMER INDICATOR
- D14. RANDOM INDICATOR
- D15. STEREO INDICATOR



E-6

INSTALLATION**FOR TABLE TOP USE**

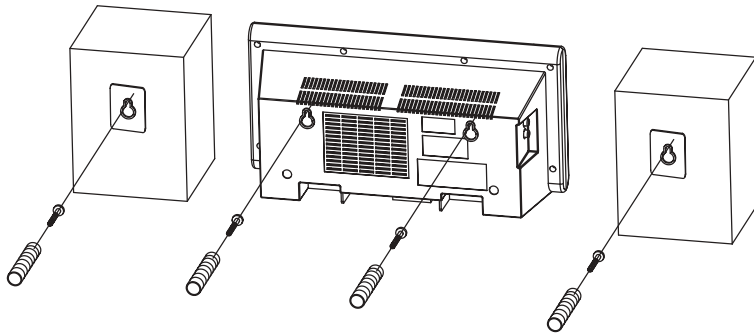
Following the diagrams below, insert the stands into the base and attach the main unit and speakers as shown.



NOTE: A screwdriver is needed for attaching the stands to the main unit and stands.

FOR WALL MOUNTING

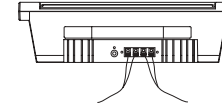
1. Use the wall-mounting template supplied with the unit to make marks on the wall for the anchors. Make sure the marks are level.
2. Drill 1/4" holes on the marks. Please refer to the appendix sheet attached with this instruction manual for details.
3. Insert the plastic anchor supplied with unit until it is flush with the wall.
4. Insert the screw and tighten the screw 4mm away from the wall. (Approximately the width of 2 pennies)
Hang the main unit and speakers to the screw as indicated below:



E-7

GETTING STARTED**SPEAKER CONNECTION**

1. Insert the speaker cables by pushing down the terminal lever of the Left Speaker Terminal and the Right Speaker Terminal (25).



2. Connect the speaker to Speaker Terminals (25), with red wire to red terminals and black wire to black terminals.

LINE IN (AUX IN) CONNECTION (OPTIONAL)

1. Connect the left and right channel RCA plug (not included) into the AUX IN Jack (21) and the other end to your external player. Make sure the polarity of the right and the left channel is correct, Red to Right, White to Left.
2. Press the ON/STANDBY Button (10/H1) to switch on the unit.
3. Press Function Button (3/H3). "AUX" Indicator (#D5) appears in the display (18).
4. Play the auxiliary input source.

SUBWOOFER CONNECTION (OPTIONAL)

1. Connect one end of a RCA plug (not included) into the Subwoofer Jack (24) and the other end to the subwoofer (not included).
2. Turn on the unit and then your subwoofer.

ANTENNA CONNECTION

FM: Unwrap and fully extend the FM Antenna wire (22) for best reception. If stereo broadcasting is received, Stereo Indicator (#D15) will light.
AM: The unit is built-in with a directional ferrite antenna, reposition the unit for best reception.

POWER SUPPLY

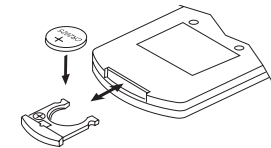
This Front Loading Dual CD System operates from AC120V~60Hz line power supply. The remote control unit operates on one 3V "CR2025" lithium battery. To power up the remote control, remove the plastic insulation tab sticking out of the battery compartment.

AC POWER CONNECTION

Connect the power cord to an AC120V~60Hz power source.

REPLACING BATTERY IN THE REMOTE CONTROL

1. Turn over the remote control, and remove the battery door.
2. Install 1 "CR2025" lithium battery according to the polarity diagram on the battery compartment.
3. Replace the battery door.



E-8

CLOCK SETTING

Note: The clock has to be set the first time you use the unit.

TO SET THE CURRENT TIME

For example to set the clock at 7:30 AM

1. In STANDBY Mode, press MEMORY Button (7/H6) once. Hour digit flashes to prompt for input.

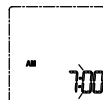


2. Press the |◀◀/▶▶| Button (11/H7) to adjust the hour.



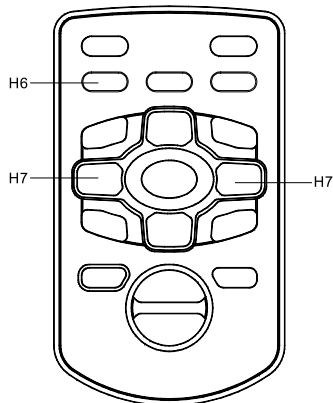
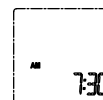
Note: Make sure the hour is set so that AM or PM is correctly displayed.

3. Press MEMORY Button (7/H6) to confirm the selection and minute position flashes to prompt for input.



4. Press the |◀◀/▶▶| Button (11/H7) to adjust the minute.

5. Press MEMORY Button (7/H6) again to complete setting.



COMPACT DISC OPERATIONS

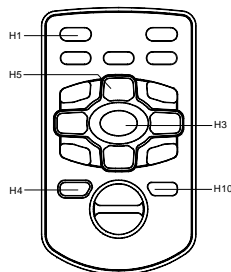
NOTE: This player plays not only commercial CDs but also self-complied CD-R/RW/MP3-CD discs.

BASIC DISC(s) PLAY

1. Press the ⏻ Button (10/H1) to turn on the unit.
2. Press the OPEN/CLOSE Button (2/H10) to open both the CD door.
3. Place the CD(s), with label side facing outward, inside the CD compartment. Press OPEN/CLOSE Button (2/H10) again to close the CD doors.

IMPORTANT: The CD doors are motorized doors. DO NOT PUSH WITH HAND OR USE ANY OTHER MEANS TO OPEN OR CLOSE IT. THIS COULD DAMAGE THE DOOR MECHANISM.

4. Press the Function Button (3/H3) to operate the unit in CD mode.
5. Press CD1/CD2 (4/H4) button to select the CD location.
6. The unit will scan the CD in selected CD compartments, the total number of tracks and total play time of the CD in the chosen CD location appear in the display (18). (Only Folder number and track number will shown for MP3-CD)



E-9

Note: If no CD is inserted in the chosen CD location, "NO DISC" appears.

7. The CD indicator (#D9) appears with either "Ⓢ" or "Ⓜ", indicating the current CD location.

8. Press ▶|| Button (9/H5) to start playing.

TO:	PRESS:	Multi-Function Display:
Stop play	■ (8/H11)	Total number of tracks and total play time are shown
Pause play	▶ (9/H5) once	Playback Indicator ▶ (D8) blinks
Resume play after pause	▶ (9/H5) again	Current playing track number and elapsed play time are shown
Scan forward and backward	And hold ◀◀/▶▶ (11/H7)	Play time changed rapidly
Skip tracks	◀◀/▶▶ (11/H7)	Playing track number changed
Control the volume	± Volume Control (15/H9)	Volume Level is shown
Stop output from speakers	MUTE Button (H16) once	"MUTE" (#D4) lights
Resume speaker output	MUTE Button (H16) again	"MUTE" (#D4) off

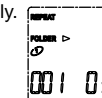
Other CD/MP3-CD function

- 1) Repeat (12/H15) - Use this key can select different Play Mode between repeat one, repeat folder (MP3-CD only), repeat current CD and random play.

- a) Repeat current track - Press Repeat button once, the REPEAT indicator appears and current track repeated continuously.



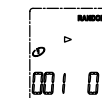
- b) Repeat Folder (MP3-CD only) - Press Repeat button until REPEAT FOLDER indicator shown on display, the selected folder will repeated continuously.



- c) Repeat current disc - Press Repeat button until REPEAT ALL indicator shown on display, the current CD will repeat continuously.



- d) Random play - Press Repeat button until RANDOM indicator appears on display and the current disc will play randomly.



DISC ERROR

Note: If the disc is dirty, damaged or unreadable, the 'NO DISC' will appear in the display. If this occurs, clean the disc, insert the disc correctly, or try another disc.

PROGRAMMING CD TRACKS

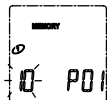
With this function you can program up to 20 titles of selected disc in the order you desire. This function can only be done in stop mode.

1. Press the MEMORY Button to start programming tracks, "MEMORY" indicator, ' pg 1 ' appear in the display and gg blinks.



E-10

2. Select the desired track by pressing the Button (11/H7) to select the track you want to program.



3. Press the MEMORY Button (7/H6) again to enter the selected track in program memory #1. The program number *PO2* advances to.

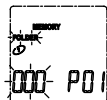


- Repeat steps 2 & 3 to program additional tracks, 20 tracks can be memorized.
 - Press PLAY/PAUSE Button to start playing the tracks in your programmed order.
 - To clear the programmed tracks, press STOP Button until the MEMORY indicator disappears.
- Note:** Random functions are disabled in program play.

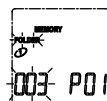
PROGRAMMING MP3 TRACKS

With this function you can program up to 10 titles in the order you desire. This function can only be done in stop mode.

1. Press the MEMORY Button (7/H6), "FOLDER" indicator and '000' blink, and 'PO1' / MEMORY indicator appears in the display.



2. Select the desired folder by pressing FOLDER UP or DOWN button (6/H12, &H8). The selected folder blinks.



3. Press the MEMORY Button (7/H6) again to enter the selected folder. Then press Buttons (11/H7) to select your desired track. The selected track blinks.



4. Press the MEMORY Button (7/H6) again to enter the selected track. The program number advances to 'PO2'.



- Repeat 2 to 4 to program additional tracks, 10 tracks can be memorized.
- Press PLAY/PAUSE Button to start playing the tracks in your programmed order.
- To clear the programmed tracks, press STOP Button until the MEMORY indicator disappears.

ID3 DISPLAY (FOR MP3-CD ONLY)

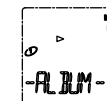
This unit can support ID3 display when play the MP3-CD (if the MP3-CD have this information in the disc). Press button ID3(5/H2) once, the ID3 icon will appear on the LCD display, and the title of the song, artist and the album will show on LCD display by rolling, press this button again to resume to show the folder and track number, the ID3 icon will disappear.



Song title in rolling



Name of artist in rolling



Name of album in rolling

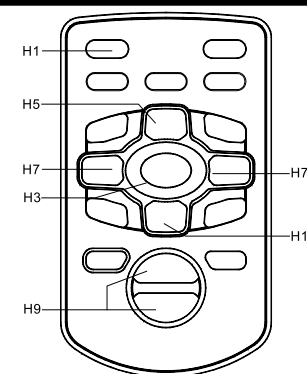
Notes on CD-R/RW Discs

- Because of non-standardized format definition/production of CD-R/RW/MP3-CD, playback quality and performance are not guaranteed.
- Manufacturer is not responsible for the playability of CD-R/RW/MP3-CD due to recording conditions such as PC performance, writing software, media ability, etc.
- Do not attach a label or seal to either side of the CD-R/RW/MP3-CD disc. It may cause a malfunction.

RADIO OPERATIONS

RADIO TUNING

- Press the Button (10/H1) to turn on the unit.
- Press the Function Button (3/H3) to operate the unit in radio mode.




TO:	PRESS:	Multi-Function Display:
Switch between AM/FM band	STOP /BAND Button (8/H11)	Band Indicator (#D7) lights for corresponding band
Scan radio station automatically	TUNING± Button (11/H7) for 1 second	Radio station changed
Stop auto-tuning	TUNING± Button (11/H7) again	Radio station is shown
Scan radio station manually	TUNING± Button (11/H7)	Radio station changed
Control the volume	± Volume Control(15/H9)	Volume Level is shown
Stop output from speakers	MUTE Button (H16) once	"MUTE" (#D4) lights
Resume speaker output	MUTE Button (H16) again	"MUTE" (#D4) off

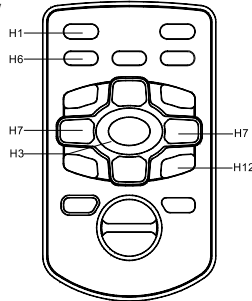
Note:

- When listening to an FM station, fully extend the antenna to insure maximum reception.
- Automatic tuning relies on the signal strength of the broadcasting station. Weaker stations are often skipped when using automatic tuning. Manual tuning is suggested for locating and programming weaker stations and also for fine tuning stations found during automatic scan.
- For FM stereo reception, the unit provides FM MONO/STEREO selection. In stereo mode, the unit will automatically switch to stereo when a FM stereo broadcast is received and the Stereo indicator (#D15) will light.
- To receive a weak (noisy) FM station, press the ST/MO Button (H5) to switch to MONO mode. The reception may be improved, but the sound is monaural (MONO).


TO PRESET CHANNELS

This unit is equipped with 20 preset memories for both AM and FM (AM-10/FM-10).

1. Press the  Button (10/H1) to turn on the unit.
2. Press the Function Button (3/H3) to operate the unit in radio mode and desired band.
3. Tune to a desired station.
4. Press the MEMORY Button (7/H6), "MEMORY" (#D11) & number of preset station appears.
5. Press the MEMO + Button (6/H12) to select the desired preset channel.
6. Press MEMORY Button (7/H6) again to complete.
7. Tune to another station and repeat steps 4 to 6 to store the station in another preset channel.



TO RECEIVE PRESET STATIONS

1. Press the  Button (10/H1) to turn on the unit.
2. Press the Function Button (3/H3) to operate the unit in radio mode.
3. Press the MEMO + Button (6/H12) to select the preset channels.

AUX OPERATION

You can connect left and right audio outputs from a TV, VCR, DVD, MP3 player or other portable device to the AUX IN Jacks (21) on the rear of the system. To use this Front Loading Dual CD System to amplify your input audio signal:

1. Press the Function Button (3/H3) to operate the unit in AUX mode. "AUX" Indicator (#D5) appears in the display.
2. Turn on and start playing the device that is plugged into the AUX Jack.
3. Adjust the Volume Control to obtain the desired sound level.

PRESET EQ (EQUALIZATION SYSTEM)

The sound equalization can be adjusted for optimum sound reproduction depending on style of music you are playing. By pressing the EQ Button (14/H13), you can switch between FLAT, CLASS ROCK, POP.



USING HEADPHONES (NOT INCLUDED)

Inserting the plug of your headphones into the Headphone Jack (16) will enable you to listen in private. When using headphones, the speakers will be disconnected.

NOTE: READ THIS IMPORTANT INFORMATION BEFORE USING YOUR HEADPHONES

1. Avoid extended play at very high volume as it may impair your hearing.
2. If you experience ringing in your ears, reduce the volume or shut off your unit.
3. Keep the volume at a reasonable level even if your headset is an open-air type designed to allow you to hear outside sounds. Please note that excessively high volume may still block outside sounds.

SLEEP OPERATIONS


1. When the unit in ON, press the TIMER/SLEEP Button (13) to program the sleep time, SLEEP indicator will appear and 90 will blink on display.
2. Press  &  button (9/H11) to select the sleep time between 90-60-30-15 minutes, then press SLEEP button (13) again to store your desired sleep time.
3. The display shows the chosen sleeping time momentarily and then returns to the current function mode.
4. The unit will automatically turn off after the set time has elapsed.
5. To cancel the Sleep operation, press the SLEEP Button (13) again until SLEEP indicator disappear or simply switch the unit to standby.

TIMER OPERATIONS

Your unit can be set to turn on at predetermined time in Radio/CD function mode for running 60 minutes unless turn off the unit manually. This setting can only be done in standby mode. To set the TIMER as follows :

1. Press the TIMER/SLEEP Button (13/H14) once the 'TIMER' icon appear and the hour digit will blink to set the timer on time during standby mode in the display.





2. Press the  &  Button (11/H7) to adjust the hour.



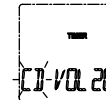
3. Press the TIMER/SLEEP Button to (13/H14) confirm hour setting, minute position flashes.





4. Press the  &  Button (11/H7) to adjust the minute.





5. Press the TIMER SLEEP Button (13/H14) to complete setting. The 'TU' blinks and volume level will show.



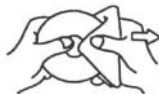
6. Press the  &  button (11/H7) to select the turn on function on volume level, press TIMER/SLEEP (13/H14) button again to store the timer on function and the volume level will blink.



7. Press the  &  button (11/H7) to select the volume level, press TIMER/SLEEP button (13/H14) again to complete timer setting, the 'TIMER' icon and current time will appear on display, the unit will turn on running 60 minutes once reach the time you set.

CARE AND MAINTENANCE

1. Clean your unit with a damp (never wet) cloth. Solvent or detergent should never be used.
2. Avoid leaving your unit in direct sunlight or in hot, humid or dusty places.
3. Keep your unit away from heating appliances and sources of electrical noise such as fluorescent lamps or motors.
4. If drop-outs or interruptions occur in the music during play, or if the disc fails to play at all, its bottom surface may require cleaning. Before playing, wipe the disc from the center outwards with a good soft cleaning cloth.



TROUBLESHOOTING GUIDE

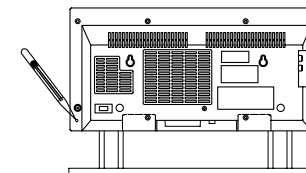
Should you experience difficulties in the use of this player please refer to the following chart or call 1-800-777-5331 for Customer Service.

Symptom	Possible Cause	Solution
Radio		
Noise or sound distorted on AM or FM broadcasts.	Station not turned properly for AM or FM.	Retune the AM or FM broadcast station.
	FM: Wire Antenna is not fully extended. AM: The bar antenna is not positioned correctly.	Extend FM Wire Antenna. Reposition the unit until best reception is obtained.
FM STEREO does not appear on display.	You have tuned to a mono station or station too weak.	Select another FM station.
AM or FM, no sound.	Unit not at Tuner function, AM or FM band.	Press Tuner Function button to select AM or FM.
	Volume at minimum.	Increase Volume.
Compact Disc Player		
CD Player will not play.	Unit not in CD function mode.	Press Function button to order to CD mode.
	Disc is not installed correctly.	Insert CD(s) with label side front
CD skips while playing.	Disc is dirty or scratched.	Wipe disc with cloth or use another disc.
Function inoperative and jammed.	Built-in microcomputer needs to be reset.	Use a sharp tip to press into the reset hole to reset the built-in microcomputer.
Display no indication or abnormal indication.	Built-in microcomputer needs to be reset.	Use a sharp tip to press into the reset hole to reset the built-in microcomputer.
	Dirty or defective disc. Dirty Pick Up lens. Player is subject to excessive shock or vibration.	Clean or replace the defective disc. Use a CD-lens cleaning disc to clean the lens. Relocate the player away from shock or vibration.
No sound when played in the AUX Mode.	Power to external source (CD, VCR etc) not switched on.	Switch on the power of the external source.
	Connection to external source (CD, VCR etc) is incorrect: e.g. RCA plug may have been inserted to AUDIO IN of external source. Master Volume is at minimum.	Reconnect the RCA Plug to the AUDIO OUT of the external source. Adjust the master volume.
No sound from Subwoofer.	Subwoofer not switched on. Subwoofer input is not connected to RCA jack of System's Subwoofer Out. MUTE function is activated. System volume is at minimum.	Switched the Subwoofer on. Connect System's Subwoofer Out to Subwoofer's input of external equipment. Switch MUTE function off. Adjust volume control.

RESETING THE UNIT

In case the unit display begins functioning erratic or random characters are displayed, use a sharp tip to press the RE-SET Switch (20) to reset the unit.

Note: All the preset memories will be erased and the clock has to be set again.



SPECIFICATION

Power source	AC120V ~ 60 Hz DC 3V ---, 1 pc of "CR2025" lithium battery for remote handset
Power consumption	28 Watts
Dimension	Unit: 400 (W) x 116 (D) x 219 (H) mm Speaker: 132 (W) x 116 (D) x 219 (H) mm
Tuning range/sensitivity	AM 520 ~ 1710kHz FM 88 ~ 108MHz
Playback systems	Ball clip CD mechanisms
Frequency response	100 – 18,000 Hz
Power output	5 Watts RMS per channel
Speaker impedance	4 Ohms
Headphone impedance	8 – 32 Ohms
AUX input sensitivity	300 mV

SERVICE

Please refer to the instructions on the enclosed warranty card for returning your unit for service. When returning the unit, please remove batteries to prevent damage to the unit in transit and/or from possible battery leakage. We are not responsible for batteries returned with the product or for the cost of replacement.

Distributed by:
Spectra Merchandising International, Inc.
 Chicago Industry Tech Park
 4230 North Normandy Avenue
 Chicago, IL60634, U.S.A.
 Please have model number ready, for Customer Service, call 1-800-777-5331

Printed in China

Free Manuals Download Website

<http://myh66.com>

<http://usermanuals.us>

<http://www.somanuals.com>

<http://www.4manuals.cc>

<http://www.manual-lib.com>

<http://www.404manual.com>

<http://www.luxmanual.com>

<http://aubethermostatmanual.com>

Golf course search by state

<http://golfingnear.com>

Email search by domain

<http://emailbydomain.com>

Auto manuals search

<http://auto.somanuals.com>

TV manuals search

<http://tv.somanuals.com>