

# XRS

JENSEN MOBILE

# Owner's Manual



**XRS 525**



**XRS 652**



**XRS 802**



**XRS 692**



**XRS 682**



# INTRODUCTION

## Thank you!

Thank you for your purchase of these JENSEN mobile speakers. JENSEN has been delivering great sounds for more than 75 years, and is well known for its technology leadership in the acoustic arena. Always at the industry's forefront, JENSEN speakers provide abundant features, extreme power handling, and tremendous versatility. The smooth, hip style is included.

## 'We're all about the music'

Actually we invented the sound you still hear today. Take a listen to our scorching hot XRS Series speakers incorporating the latest speaker technology from JENSEN.

JENSEN's Sound Lab utilizes their latest innovation, (CSTT) Clear-Sound Tweeter Technology™. CSTT is designed around Teteron, a revolutionary light weight textile dome material – so light weight it's almost clear. It has very low moving mass for superior imaging, teeming smooth high frequency response, low distortion and excellent dynamic range. Super swivel-ability tweeter means super flexible installations for almost any application.

Our newly perfected Injection Molded Titanium-Lum Poly-Cone Woofer (IMTPW) delivers deep rich bass response and natural mid-range nuance reproduction, replicating true-to-life vocals & music.

Unlike foam surrounds, our ultra durable Nitrile rubber suspension system absorbs undesired cone resonance's to enhance the overall frequency response of the speaker. It also keeps the cone centered and endures more extreme environmental conditions than standard foam surrounds.

Voice coil leads are ingeniously interwoven into the spider assembly to virtually eliminate cone "lead slap"; this reduces low frequency distortion and increases reliability. XRS speakers utilize Kapton voice coil formers. These reduce the cone weight, enhance speaker efficiency, and dramatically improves power handling.

For installation assistance, the XRS speakers use nickel-plated quick release push terminals and low profile ABS grilles to reduce installation hassles.

## Highlighted Features

- CSTT Clear-Sound Tweeter Technology™
- Teteron Dome Material, for Extended Frequency Response
- Coaxial Super Swivel Tweeter Base Design for Installation Flexibility
- IMTPW- Injection Molded Titanium Poly-Cone Woofer
- Nitrile Rubber Surround - Endures Temperature Extremes and Outlasts Ordinary foam Surrounds
- Kapton Voice Coil Formers
- Low Profile ABS Grilles
- Rubber Magnet Boot Cover
- Nickel Plated Quick Release Push Terminals
- Cold Rolled Stamped Steel Basket



# INTRODUCTION

## Welcome to Jensen!

This manual is designed to provide information for the owner, salesperson and installer. For those of you who want quick information on how to install this product, please turn to the Installation Section of this manual. Other information can be located by using the Table of Contents. We at Jensen have worked very hard to make sure all the information in this manual is current. But, as we are constantly finding new ways to improve our product, this information is subject to change without notice.

Installation.....	Page 3
Specifications.....	Page 7
Warranty .....	Page 8

If, after reading your manual, you still have questions regarding this product, we recommend that you see your Jensen dealer. If you need further assistance, you can call us direct at 1-800-323-4815.

Be sure to have your model number and date of purchase available when you call. Please read your warranty clearly and retain your receipt for possible future use.

## Preparation

- Disconnect battery cable from negative ( - ) battery terminal.  
**WARNING: Check vehicle's owner's manual before disconnecting the battery. Disconnecting the battery in some vehicles may require an anti-theft code when reconnecting. Some vehicles may run rough after reconnecting the battery and require that the on-board computer be reset at the dealership. Check with your local dealer if you are uncertain.**
- Check all safety regulations in your vehicle's owner's manual.
- To ensure an obstacle-free fit, check and double check mounting depth of the speakers against available depth, as well as the location of window mechanics, door handles, and window handles.
- If using provided grilles, be sure mounting location is sufficient distance from door and/or window handles.

## Required Tools

The following is a list of tools needed for installation:

- #2 Phillips screwdriver
- Battery post wrench
- Hand held drill w/assorted bits
- Wire strippers
- Wire crimpers
- Wire cutters
- 3mm allen wrench

Since some of these Jensen Full Range Speakers are most often used as direct replacements for stock speakers, some of the following instructions will not apply. For custom installations see your Authorized Jensen Dealer.

# INSTALLATION

## Basic Installation Steps

- Step 1:** Remove existing speaker.
- Step 2:** Position new speaker and align with existing mounting holes.
- Step 3:** Attach the positive (+) and negative (-) speaker terminals (see FIGURE 2). Be sure to observe proper polarity when connecting the wires.
- Step 4:** If not using factory grilles, attach grille.
- Step 5:** Mount speaker (using factory hardware when possible).
- Step 6:** Reconnect negative battery terminal.

FIGURE 1 - DOOR PANEL INSTALLATION

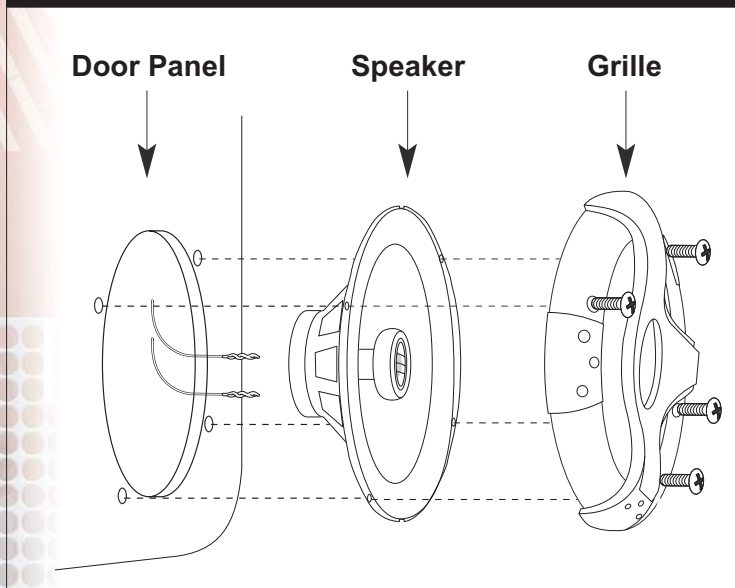


FIGURE 2 - CONNECTING SPEAKER WIRES

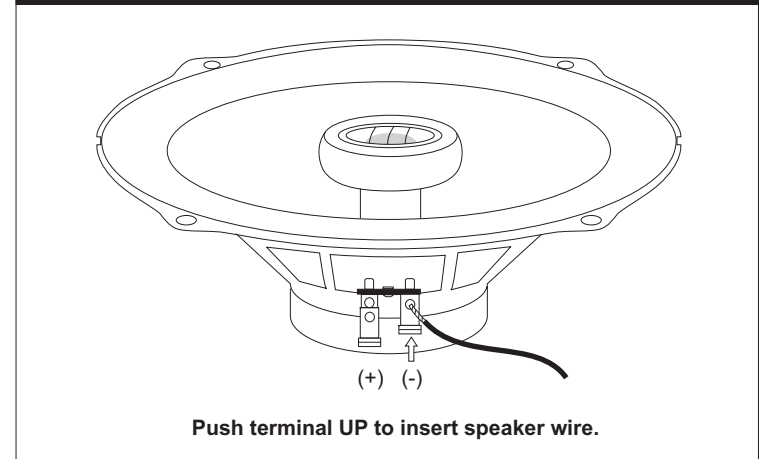
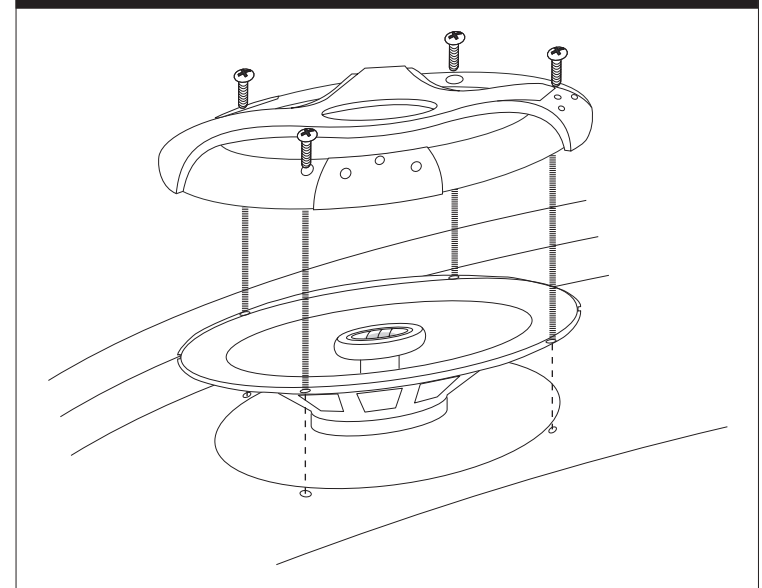


FIGURE 3 - REAR DECK INSTALLATION



# INSTALLATION

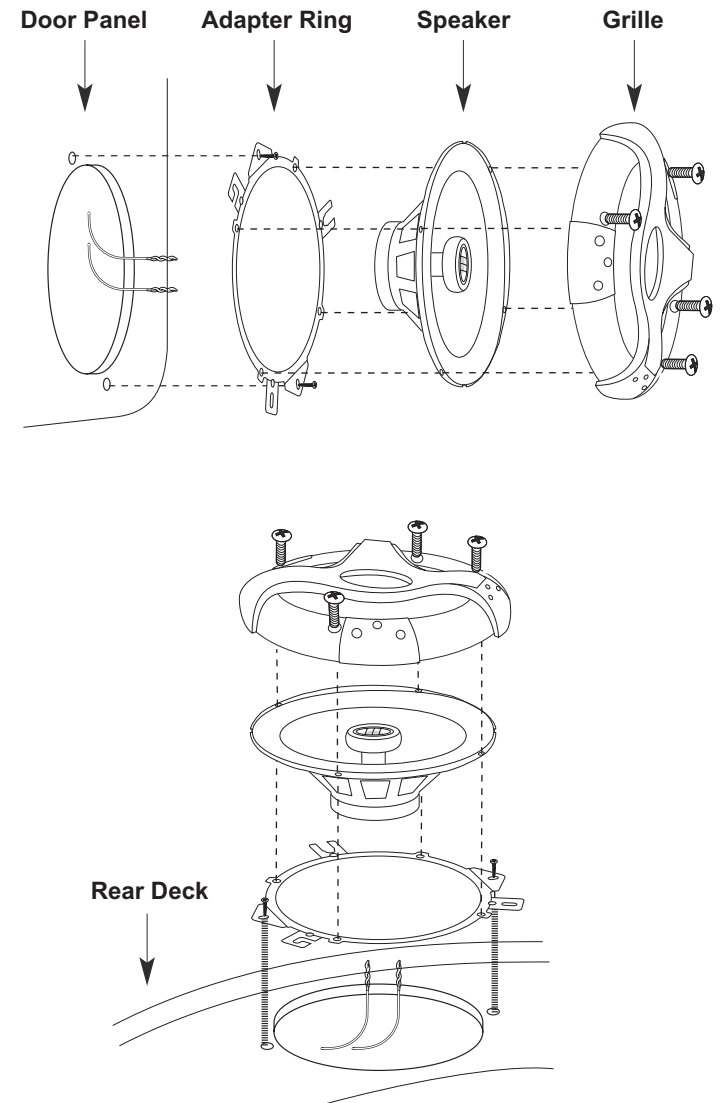
## Installing with Adapter Ring

The XRS525 and XRS652 come with an adapter ring to fit a variety of different openings. To use the adapter ring, secure the adapter ring to the vehicle using sheet metal screws, then attach the speaker to the ring with the machine screws provided.

**NOTE**

If using both the adapter ring and the supplied grilles (not factory), you will have to provide additional M4 screws of the appropriate length for your application.

FIGURE 4 - ADAPTER RING INSTALLATION



# INSTALLATION

## Using the Conversion Ring with the XRS802

The conversion ring should be installed when an existing 6x9 hole is to be used for installation. If cutting a new installation hole, the diameter should be 7 1/8" round, making the conversion ring unnecessary.

FIGURE 5 - CONVERSION RING BOTTOM INSTALL

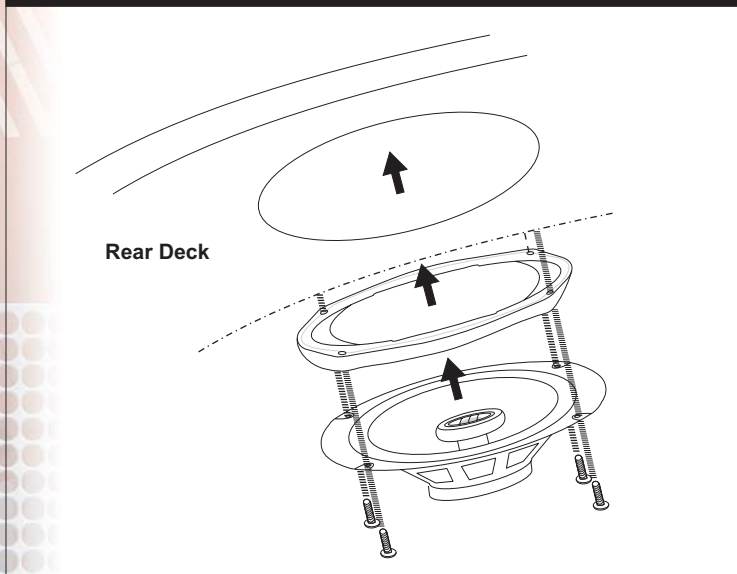


FIGURE 6 - CONVERSION RING FRONT INSTALL

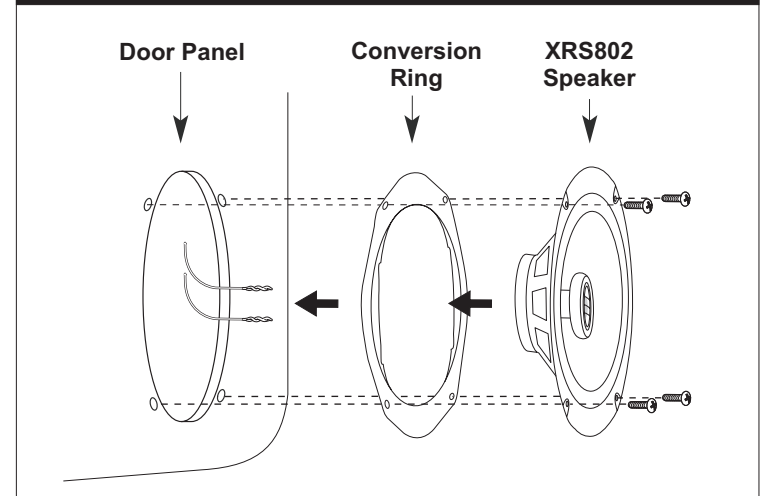
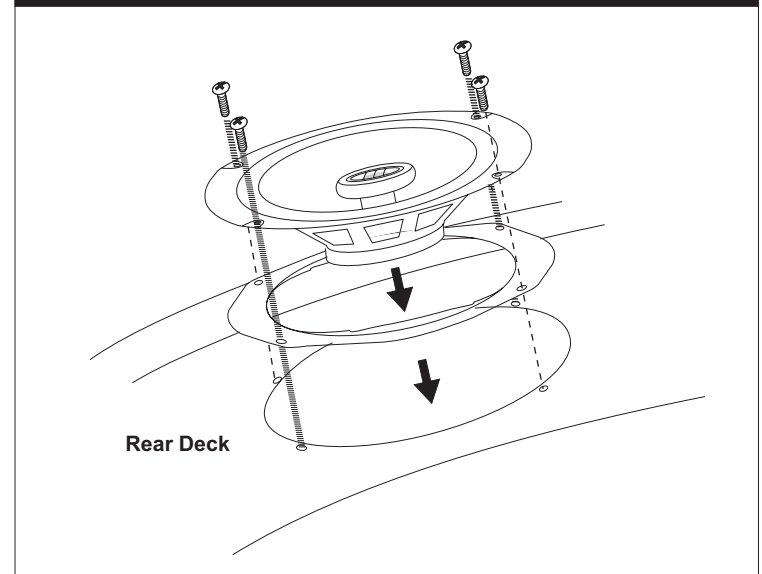


FIGURE 7 - CONVERSION RING TOP INSTALL



# INSTALLATION

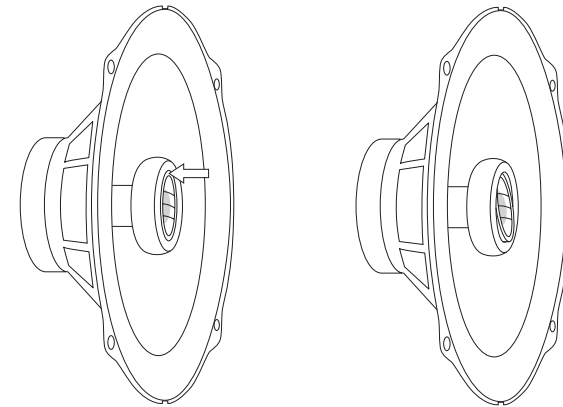
## Adjusting the Swivel Tweeter

To get the best stereo imaging and most true-to-life sound reproduction, the swivel tweeters should be angled toward the listener's ears. To tilt the tweeter, push the edge of the chrome tweeter bezel to rotate the tweeter to the desired listening position. The bezel may need to be rotated **slightly** before swiveling to achieve the desired angle.

**NOTE**

Avoid using excessive force while swiveling the tweeter, as permanent damage can occur.

FIGURE 8 - ADJUSTING THE SWIVEL TWEETER



Push edge of swivel tweeter to angle it toward the listener's ear.



# SPECIFICATIONS

	XRS 525	XRS652	XRS682	XRS692	XRS802
<b>Configuration</b>	2-Way Full-Range	2-Way Full-Range	2-Way Full-Range	2-Way Full-Range	2-Way Full-Range
<b>Midrange Diameter</b>	5.25"	6.5"	6" x 8"	6" x 9"	8"
<b>Super Tweeter Diameter</b>	19mm Swivel Tweeter	19mm Swivel Tweeter	19mm Swivel Tweeter	25mm Swivel Tweeter	25mm Swivel Tweeter
<b>Frequency Response</b>	60Hz - 40kHz	40Hz - 40kHz	40Hz - 40kHz	37Hz - 40kHz	35Hz - 40kHz
<b>Crossover</b>	6dB/Octave LPF; 6dB/Octave HPF	6dB/Octave LPF; 6dB/Octave HPF	6dB/Octave LPF; 6dB/Octave HPF	6dB/Octave LPF; 6dB/Octave HPF	6dB/Octave LPF; 6dB/Octave HPF
<b>Power Handling</b>	35 Watts RMS 175 Watts Peak	50 Watts RMS 250 Watts Peak	50 Watts RMS 250 Watts Peak	60 Watts RMS 300 Watts Peak	70 Watts RMS 350 Watts Peak
<b>Sensitivity</b>	90dB @ 1 watt/1 meter	91dB @ 1 watt/1 meter	88dB @ 1 watt/1 meter	92dB @ 1 watt/1 meter	91dB @ 1 watt/1 meter
<b>Grilles Included</b>	Yes	Yes	No	Yes	Yes
<b>Mounting Hardware</b>	Yes	Yes	Yes	Yes	Yes
<b>Adapter Ring</b>	Yes	Yes	No	No	Yes
<b>Mounting Depth</b>	2 1/2" (64mm)	2 11/16" (68mm)	2 11/16" (68mm)	3 1/2" (90mm)	3 5/8" (92mm)
<b>Magnet Weight</b>	9oz.	13oz.	11oz.	27oz.	27oz.

# WARRANTY

## Limited 1 Year Warranty - USA and Canada

**Length of Warranty.** This warranty from Audiovox Electronics Corporation shall be in effect for a period of 1 year from the date of the first consumer purchase.

**Persons Protected.** This warranty will be enforceable by the original owner during the warranty period so long as proof of date of purchase from an authorized dealer is presented whenever warranty service is required.

**What is Covered.** Except as otherwise specified below, this warranty covers all defects in material and workmanship in this product. The following are not covered: damage resulting from accident, misuse, abuse, neglect, product modification, improper installation, incorrect line voltage, unauthorized repair or failure to follow instructions supplied with the product; damage occurring during shipment (claims must be presented to the carrier); any plexiglass included with the product; elimination of car static or other electrical interferences; any product purchased outside USA or Canada, or on which the serial number has been defaced, modified or removed.

### **How You Can Get Service.**

**U.S. Purchasers.** Please telephone Jensen Customer Service at 1-800-323-4815.

**Canadian Purchasers.** The product should be returned to the dealer from whom it was purchased and such dealer either will service or arrange for service of the product. If shipment of the product is required, it should be packed properly. The original dated bill of sale must always be included with the product as proof of warranty coverage.

**What We Will Pay For.** We will pay for all labor and material expenses required to repair the product, but you must pay any labor costs for the removal and/or installation of the product. If the product is shipped for warranty service, you must prepay the initial shipping

charges, but Audiovox Electronics Corporation will pay the return shipping charges if the product is returned to an address inside the USA or Canada.

### **Limitation of Implied or Statutory Warranties and Conditions.**

**Exclusions.** Audiovox Corp's liability is limited to the repair or replacement, at our option, of any defective product and shall not include special, indirect, incidental or consequential damages of any kind. THIS WARRANTY IS EXCLUSIVE AND IN LIEU OF ANY AND ALL OTHER WARRANTIES, EXPRESSED OR IMPLIED, INCLUDING WITHOUT LIMITATION THE IMPLIED WARRANTIES OF MERCHANTABILITY AND FITNESS FOR A PARTICULAR PURPOSE AND ANY OBLIGATION, LIABILITY, RIGHT, CLAIM OR REMEDY IN CONTRACT OR TORT, WHETHER OR NOT ARISING FROM THE COMPANY'S NEGLIGENCE, ACTUAL OR IMPUTED. NO PERSON OR REPRESENTATIVE IS AUTHORIZED TO ASSUME FOR THE COMPANY ANY OTHER LIABILITY IN CONNECTION WITH THE SALE OF THIS PRODUCT. IN NO EVENT SHALL COMPANY BE LIABLE FOR INDIRECT, INCIDENTAL OR CONSEQUENTIAL DAMAGES.

## Free Manuals Download Website

<http://myh66.com>

<http://usermanuals.us>

<http://www.somanuals.com>

<http://www.4manuals.cc>

<http://www.manual-lib.com>

<http://www.404manual.com>

<http://www.luxmanual.com>

<http://aubethermostatmanual.com>

Golf course search by state

<http://golfingnear.com>

Email search by domain

<http://emailbydomain.com>

Auto manuals search

<http://auto.somanuals.com>

TV manuals search

<http://tv.somanuals.com>