



# CDX6311

Instruction Manual  
Manual de Instrucciones  
Guide d'instructions





## TABLE OF CONTENTS

Introduction .....	1
Preparation .....	2
Wiring .....	3
Installation .....	4
Operation .....	6
Tuner Operation .....	9
XM <sup>®</sup> Radio Operation .....	10
CD Player Operation .....	11
CD Changer Operation .....	12
jPORT Operation .....	12
Remote Control .....	13
Care and Maintenance .....	13
Troubleshooting .....	14
Specifications .....	14
12-Month Limited Warranty .....	15

## CONTENIDO

Introducción .....	17
Preparación .....	18
Cableado .....	19
Instalación .....	20
Operación .....	22
Operación de la Radio .....	25
Operation de la Radio XM <sup>®</sup> .....	26
Operación del Reproductor de CD .....	27
Operación del Cambiador de CD .....	28
Operación del jPORT .....	28
Control Remoto .....	29
Cuidado y Mantenimiento .....	29
Corrección de Problemas .....	30
Especificaciones .....	30
Garantía Limitada de 12 Meses .....	31

## TABLE DES MATIÈRES

Introduction .....	33
Préparation .....	34
Câblage .....	35
Installation .....	37
Opération .....	39
Fonctionnement de la radio .....	42
Fonctionnement de la radio XM <sup>®</sup> .....	43
Fonctionnement du lecteur CD .....	44
Opération de changeur de CD .....	45
Opération jPORT .....	45
Prêt à être télécommandé .....	46
Soin et entretien .....	46
Dépannage .....	47
Specifications .....	47
Garantie limitée de 12 mois .....	48



## INTRODUCTION

Congratulations on your purchase of the Jensen CDX6311 Mobile Receiver. It's a good idea to read all of the instructions before beginning the installation. We recommend having your Jensen CDX6311 installed by a reputable installation shop.

### Features

#### ***XM READY***

- Requires Terk XMD1000 Satellite Tuner (Sold Separately)
- Requires Terk XMDJEN100 or Jensen JXMC XM Cables (Sold Separately)
- Advanced display shows the artist and song title
- Direct Channel entry
- XM channel and category at a glance

#### ***CD***

- Last position memory
- Random/repeat/intro
- High-speed audible track search
- 1-Bit D/A converter
- Anti-shock mechanism
- 40-second ESP - Electronic Skip Protection

#### ***AM/FM Tuner***

- World Tuner
- 30 station presets (18 FM/12AM)
- JENSEN Plus Tuner II
- Auto station store
- Preset scan
- One-touch memory
- Auto stereo/mono
- Manual local/distance
- Manual tuning up/down
- Auto seek tuning up/down
- 5-second Scan tuning

#### ***Chassis***

- Swing-down detachable faceplate
- 1.0 DIN
- Import ISO/DIN mountable
- 20-pin power harness

#### ***General***

- PTM - Personal Text Message
- Allows up to 20 character personal message
- User friendly setup menu
- LCD contrast control
- LCD dimmer control
- Clock
- Selectable display priority
- Switchable Bi-color illumination – Red or Blue
- Infrared remote control (included)
- IR30 steering wheel remote control ready (sold separately)
- High contrast positive Liquid Crystal Display (LCD)
- Electronic volume, bass, treble, balance, fader

- Rotary encoder audio control
- Programmable turn-on volume
- Multi-button power on
- Keyless CD eject
- 1-pair front pre-amp outputs
- 5V Peak / 2V RMS RCA pre-amp output voltages
- 200-ohm low impedance preamp output
- 200Hz low pass subwoofer crossover
- 1-pair rear RCA auxiliary input
- Flex-Fader
- iEQ5 – instant EQ
- 5-selectable iEQ curves – Beat, Jazz, Classic, Pop and Rock
- iX-Bass – instant eXtended bass
- Mute
- Hard carry case

### Optional Accessories

#### ***iAUX READY (Sold Separately)***

- Can connect to any portable media device or multimedia device using a standard 3.5mm plug
- Converts 3.5mm auxiliary input to RCA stereo outputs for easy connection to the radios  
Aux inputs

#### ***jPORT Ready (Sold Separately)***

- Controls all iPod's except "Shuffle" (audio only)
- CD changer pass-thru input
- jPORT adapter and jLinkcable (iPod Cable) included with jPORT
- Charges iPod while driving

## PREPARATION

### Tools and Supplies

The following tools and supplies are needed to install the radio.

- Torx type, flathead and Philips screwdrivers
- Wire cutters and strippers
- Tools to remove existing radio (screwdriver, socket wrench set or other tools)
- Electrical tape
- Crimping tool
- Volt meter/test light
- Crimp connections
- 18 gauge wire for power connections
- 16-18 gauge speaker wire

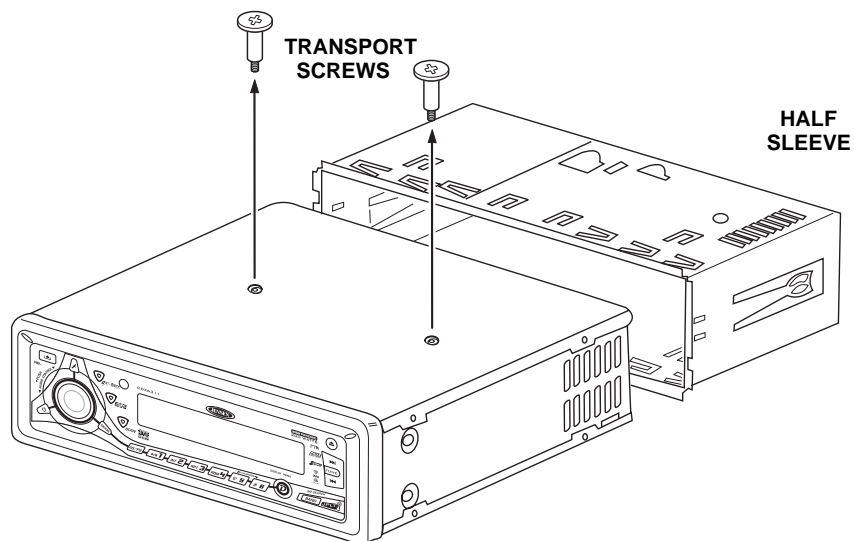
---

**SPEAKER REQUIREMENTS:** Only connect speakers rated in the load impedance of 4 ohms. Speakers with a load impedance less than 4 ohms could damage the unit.

---

### Pre-installation

1. **Disconnect Battery**  
Before you begin, always disconnect the battery negative terminal.
2. **Remove Transport Screws**
3. **Remove Radio from Sleeve**  
Lift latches on both sides of sleeve to remove half-sleeve from radio.



# WIRING

## Wiring with a Wiring Adapter (Purchased Separately)

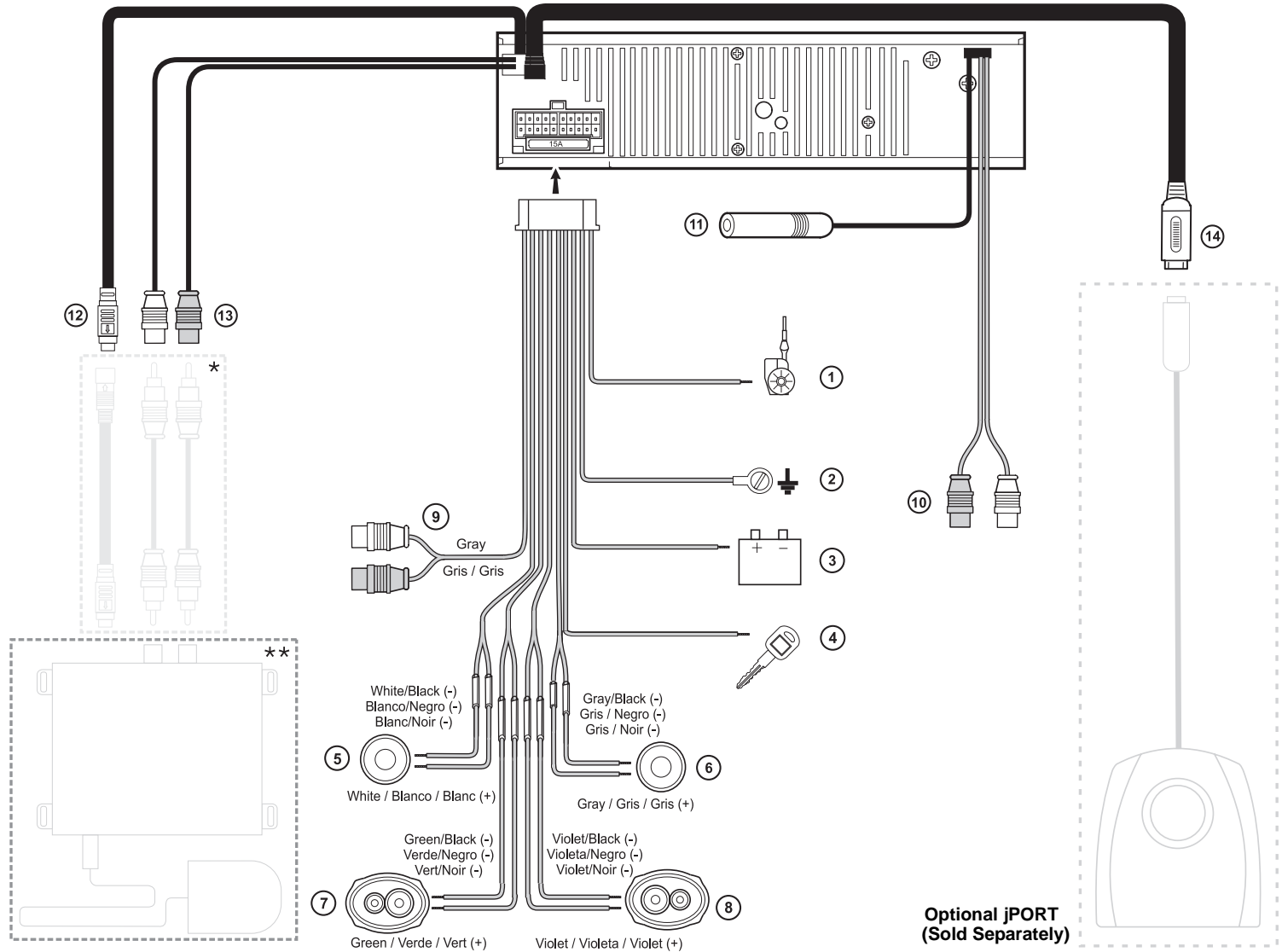
### Connect Wires

You can make all these connections without even being in the vehicle.

1. Splice or crimp wires.
2. Attach wiring adapter to the car wiring harness.

### Wiring Diagram / Color Codes

1. Power Antenna (dark blue wire) - Connect to the power antenna or a amplifier. If not used, tape the bare end of wire.
2. Ground (black wire) - Connect to the ground terminal or a clean, unpainted part of the chassis.
3. Memory/Battery (yellow wire) - Connect to the battery or to a 12 volt power source that is always alive. The radio will not work if this wire is not connected.
4. Accessory/Ignition (red wire) - Connect to the existing radio wire or radio fuse.
5. Left front speaker
6. Right front speaker
7. Left rear speaker
8. Right rear speaker
9. RCA Outputs to Amplifier
10. Auxiliary Input RCAs (yellow)
11. Antenna
12. XM® Direct Connect Cable
13. XM® Audio Input (black RCAs)
14. CD Changer/jPORT connector - Use this 8-pin DIN socket to connect an optional CD Changer or jPORT (sold separately).



**Optional jPORT (Sold Separately)**

**NOTE: The amplifier in this radio is only designed for use with four speakers. Never combine (bridge) outputs for use with two speakers. Never ground negative speaker leads to chassis ground. Failure to wire exactly as shown may cause electrical damage to the radio.**

\*TERK XMDJEN100 cables sold separately.

\*\*TERK XMD1000 Direct Tuner and antenna sold separately.

## Fuses

When replacing a fuse, make sure the new fuse is the correct type and amperage. Using an incorrect fuse could damage the radio. The CDX6311 uses one 15 amp fuse located below the wiring connector (15 amp fast blow ATO).

## Reconnect Battery

When wiring is complete, reconnect the battery negative terminal.

## Technical Assistance

If you require assistance, contact Technical Support at 1-800-323-4815 from 8:30am to 7:00pm EST Monday through Friday and from 9:00am to 5:00pm EST on Saturday.

## Connecting the Satellite Radio Receiver (optional)

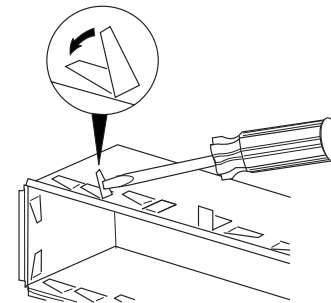
Before you can listen to XM<sup>®</sup> satellite radio, you must install the XM<sup>®</sup> Direct Receiver and antenna (purchased separately). The XM<sup>®</sup> Direct Receiver is the central data receiving equipment required to process the satellite signals from the external antenna. It is typically installed in the dash, under the seat, or in the trunk or rear of the vehicle. Do not mount the XM<sup>®</sup> Direct Receiver near a heater vent or where it can be exposed to extreme temperatures. In addition, when running the wire for the external antenna do not kink or pinch the antenna cable. A sharp 90 degree bend or slight "nick" to the outer cable sheath will cause signal degradation. The wiring diagram on page 3 will help you identify the proper connections.

## INSTALLATION

This unit is designed for installation in cars, trucks and vans with an existing radio opening. In many cases, a special installation kit will be required to mount the radio into the dashboard. These kits are available at electronics supply stores and car stereo specialty shops. Always check the kit application before purchasing to make sure the kit works with your vehicle. If you have trouble locating a kit or need installation assistance, contact Technical Support at 1-800-323-4815 from 8:30am to 7:00pm EST Monday through Friday and from 9:00am to 5:00pm EST on Saturday.

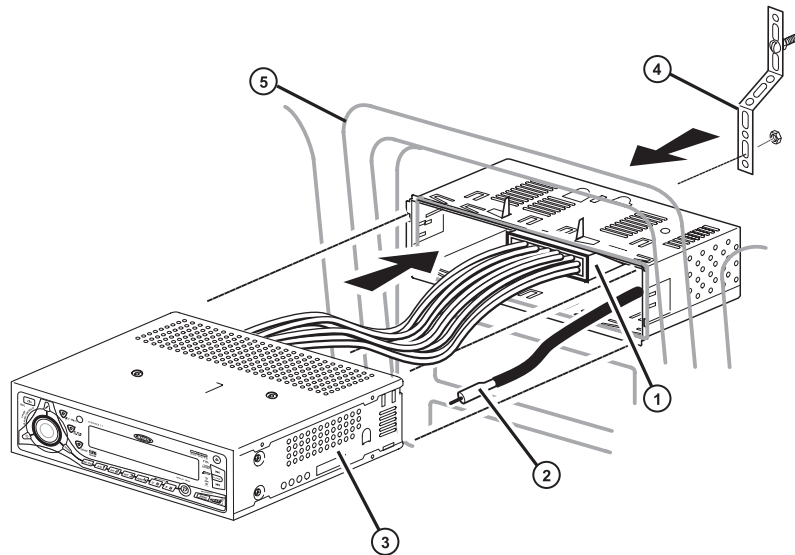
### Universal Installation Using Mounting Sleeve

1. Remove the detachable front panel, if it is attached to the chassis, by pushing the "Release" button.
2. Slide the mounting sleeve off of the chassis if it has not already been removed. If it is locked into position, use the removal keys (supplied) to disengage it. The removal keys are depicted on page 5.
3. Check the dashboard opening size by sliding the mounting sleeve into it. If the opening is not large enough, carefully cut or file as necessary until the sleeve easily slides into the opening. Do not force the sleeve into the opening or cause it to bend or bow. Check that there will be sufficient space behind the dashboard for the radio chassis.
4. Locate the series of bend tabs along the top, bottom and sides of the mounting sleeve. With the sleeve fully inserted into the dashboard opening, bend as many of the tabs outward as necessary to firmly secure the sleeve to the dashboard.





- Place the radio in front of the dashboard opening so the wiring can be brought through the mounting sleeve.



- Follow the wiring diagram carefully and make certain all connections are secure and insulated with crimp connectors or electrical tape to ensure proper operation.
- After completing the wiring connections, attach the front panel and turn the unit on to confirm operation (vehicle ignition switch must be on). If the unit does not operate, recheck all wiring until the problem is corrected. Once proper operation is achieved, turn the ignition switch off and proceed with final mounting of the chassis.
- Carefully slide the radio into the mounting sleeve making sure it is right-side-up until it is fully seated and the spring clips lock it into place.
- Attach one end of the perforated support strap (supplied) to the screw stud on the rear of the chassis using the hex nut provided. Fasten the other end of the perforated strap to a secure part of the dashboard either above or below the radio using the screw and hex nut provided. Bend the strap, as necessary, to position it. **CAUTION:** The rear of the radio must be supported with the strap to prevent damage to the dashboard from the weight of the radio or improper operation due to vibration.
- Re-attach the front panel to the chassis and test radio operation by referring to the operating instructions for the unit.

**NOTE: For proper operation of the CD player, the chassis must be mounted within 20° of horizontal. Make sure the unit is mounted within this limitation.**

## Kit Installation

If your vehicle requires the use of an installation kit to mount this radio, follow the instructions included with the installation kit to attach the radio to the mounting plate supplied with the kit.

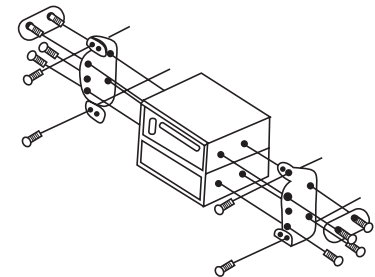
- Wire and test the radio as outlined in the Universal Installation instructions.

- Install the radio/mounting plate assembly to the sub-dashboard according to the instructions in the installation kit.
- Attach the support strap to the radio and dashboard as described in the Universal Installation instructions.
- Replace the dashboard trim panel.

## ISO Installation

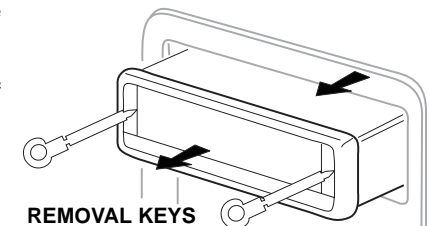
This unit has threaded holes in the chassis side panels which may be used with the original factory mounting brackets of some vehicles to mount the radio to the dashboard. Please consult with your local car stereo shop for assistance on this type of installation.

- Remove the existing factory radio from the dashboard or center console mounting. Save all hardware and brackets as they will be used to mount the new radio.
- Carefully unsnap the plastic frame from the front of the new radio chassis. Remove and discard the frame.
- Remove the factory mounting brackets and hardware from the existing radio and attach them to the new radio. Do not exceed M5 x 9 MM maximum screw size. Longer screws may damage components inside the chassis.
- Wire the new radio to the vehicle as outlined in the Universal Installation instructions.
- Mount the new radio assembly to the dashboard or center console using the reverse procedure of step 1.



## Remove Radio

To remove the radio after installation, remove the trim ring by lifting in the center and pulling it off from either side. Insert the removal keys straight back until they lock, and then pull the radio out. If removal keys are inserted at an angle, they will not lock properly to release the unit.



REMOVAL KEYS

## OPERATION

### Power

Press the power button (1) or any other button on the front of the radio (except Eject) to turn the unit on. Press the power button again to turn the unit off.

### Mode

Press **MODE** (2) to select a different mode of operation, as indicated on the display panel. Available modes include tuner (F1, F2, F3, AM1, AM2), XM Radio (if connected), CD, CDC (if connected) and auxiliary (AUX). CD mode appears in the menu only if a CD is present in the CD player.

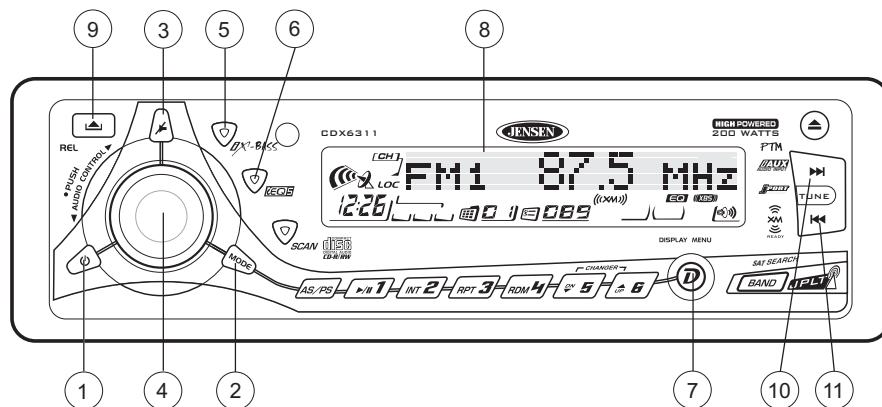
### Audio Mute

Press the mute button (3) to silence the audio volume. "Mute" flashes in the display. Press mute again to restore volume to the previous setting.

### Volume / Audio Control

To increase the volume, rotate the volume control (4) clockwise. To decrease the volume, rotate the volume control counter-clockwise. When volume is adjusted, the volume level will be shown on the display panel as a number ranging from "0" (lowest) to "46" (highest).

Press the volume control repeatedly to step through the following audio functions: volume (VOL), bass (BAS), treble (TRB), balance (BAL), fader (FAD) and back to volume. The unit automatically exits audio control mode after five seconds of inactivity.



### Bass

To adjust the bass level from "-6" to "+6", press the volume control until "BAS" appears in the display. Rotate the control clockwise to increase or counter-clockwise to decrease the bass. "0" represents a flat response.

### Treble

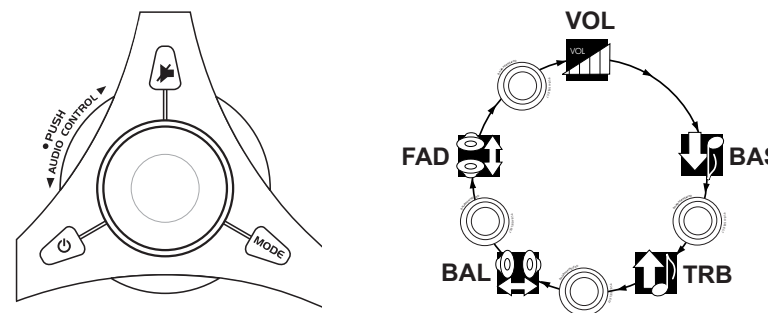
To adjust the treble level from "-6" to "+6", press the volume control until "TRB" appears in the display. Rotate the control clockwise to increase or counter-clockwise to decrease the treble. "0" represents a flat response.

### Balance

To adjust the balance from "L12" (full left) to "R12" (full right), press the volume control until "BAL" appears in the display. Rotate the control clockwise or counter-clockwise to adjust the balance between the left and right speakers. "C00" represents a center balance.

### Fader

To adjust the fader from "F12" (full front) to "R12" (full rear), press the volume control and rotate it clockwise or counter-clockwise to adjust the fader between the front and rear speakers. "C00" represents a center fader level.



### iX-Bass

Press **iX-BASS** (5) to activate the iX-BASS feature. When listening to music at low volume levels, this feature will boost the bass and treble ranges to compensate for the characteristics of human hearing. When this feature is activated, "iX-BASS On" will appear in the display. Press **iX-BASS** again to select "iX-BASS Off". The XBS icon will appear and remain in the display when the iX-BASS feature is activated.

### Equalizer Selector

The equalizer function applies preset sound effects to the unit's audio output signal. Press **IEQ5** (6) to step through the following equalizer options: "Pop", "Jazz", "Classic", "Beat", "Rock", and "Off". The equalizer options appear in the display as they are accessed.

When the equalizer function is activated, the most recently selected bass/treble levels cannot be adjusted. When the equalizer function is not active, the unit will return to the most recently selected bass and treble levels.

### Liquid Crystal Display (LCD)

The liquid crystal display (LCD) panel (8) displays the frequency, time and activated functions of the unit, including a combination audio level/disc indicator, which appears as dual disc icons with circular bar graphs depicting the audio signal. In addition, the display contains a receive signal indicator that depicts the relative strength of the incoming broadcast frequency.

**NOTE:** LCD panels may take longer to respond when subjected to cold temperatures for an extended period of time. In addition, the visibility of the numbers on the LCD may decrease slightly. The LCD display will return to normal when the temperature increases to a normal range.

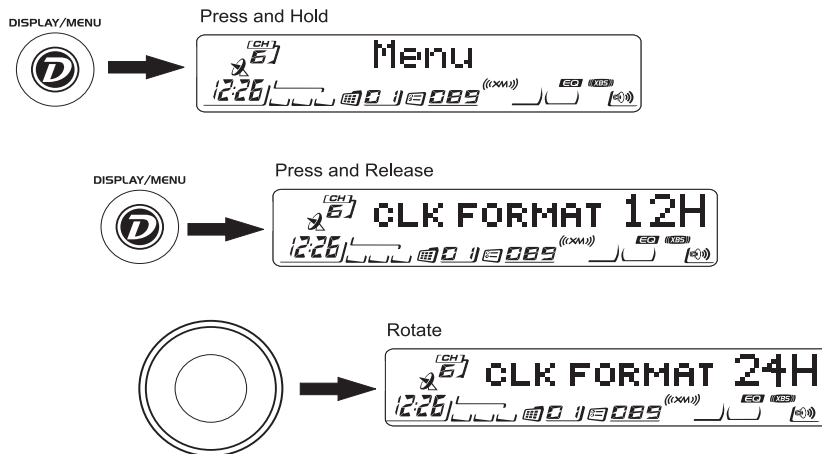
## Display Options

Press **DISPLAY/MENU** (7) to navigate through the following options:

- Tuner: **FREQ** > **Spectrum** > **PTM Message**
- **CDP**: **Elapsed Time** > **Spectrum** > **PTM Message**
- **XM mode**: **Category Name** > **Artist Name** > **Song Title** > **Spectrum** > **PTM Message** > **Channel Name**

## Menu Operation

A second function of the **DISPLAY / MENU** button (7) is to access a menu of radio options. Press **DISPLAY / MENU** for more than three seconds to access the menu. "Menu" will appear in the display. Navigate the menu by pressing **DISPLAY / MENU** momentarily to move forward to the next option. The menu can also be navigated by using the **UP TUNING** (10) or **DOWN TUNING** (11) button to move to the next or previous option. Once the desired option appears in the display, adjust that option by rotating the volume control within five seconds.



The following options are adjusted through this menu feature:

### Contrast

The contrast level of the display is set at "CONTRAST 05" by default. Rotate the volume control to adjust the contrast level from "00" to "10".

### Dimmer

The dimmer feature of the display is set to "DIMMER High" by default. Rotate the volume control to turn the dimmer to the low setting.

### XM Scroll

This option determines whether or not the XM display text scrolls continuously across the screen. The default setting is "OFF". Select "ON" to make the display text scroll continuously. When set to off, you can view the display information by continuously pressing the **DISPLAY** button (7).

**NOTE:** The XM Scroll option only appears when an XM tuner is connected.

### Clock Format

This option allows selection of a 12 hour or 24 hour clock format. "CLK FORMAT 12H" is the default setting. Rotate the volume control to change to the 24 hour clock format.

### Time Set

The time on the clock will be set to "12:00" as the default. Program the current time by rotating the volume control clockwise to adjust the minutes and counter-clockwise to adjust the hours.

### Local / Distance Selector

This feature is used to designate the strength of the signals at which the radio will stop during automatic tuning. "Distant" is the default, allowing the radio to stop at a broader range of signals. To set the unit to select only strong local stations during automatic tuning, rotate the volume control to select "Local". "LOC" appears in the display.

### Frequency Spacing

This option allows the selection of the frequency spacing appropriate for your area. "AREA U.S.A." is the default setting. Rotate the volume control to select the "Latin", "Europe" or "Oirt" options.

### Programmable Turn-on Volume

Use the "VOL PGM" option to select the default volume the radio will assume when first turned on. To program a specific start-up volume level, rotate the volume control to select the desired level.

### Beep Tone

The beep tone feature allows the selection of an audible beep tone to be heard each time a button is pressed on the face of the radio. "BEEP TONE On" is the default display. Rotate the volume control to select the "BEEP TONE Off" option.

### Illumination Color

The "COLOR" option allows selection between two colors for the backlight illumination of the unit. "COLOR 1" is the default display and will illuminate the unit in blue backlight. Rotate the volume control to select "COLOR 2", which will illuminate the display in red backlight.

### Selectable Clock Display

When the selectable clock display (CLK ON LCD) feature is activated, the clock and default greeting note will appear in the display when the radio is turned off but still connected to the ignition wire. "CLK ON LCD On" is the default display for this option. To select that the clock and greeting not be displayed when the unit is powered off, rotate the volume control to select "CLK ON LCD Off".

### Key Light On/Off

When the key light feature is activated (ON) the preset buttons and the rest of the front panel function buttons remain lit when the unit is turned off, but the ignition key remains on. Turn the volume control to select "Key Light Off" if you would prefer the buttons not remain illuminated when the unit is off.

### Personal Text Message

The personal text message (PTM) feature allows you to enter a personal message up to 20 characters (including spaces) using the letters A-Z, the numbers 0-9 and the symbols “\_”, “+”, “-” and “!”. Press in on the volume control to access this option from the menu, then rotate the volume control to select the first character for your message. Once you have selected your first character, press in on the volume control to move to the next space and select the next character. To leave a blank space, press the volume control again.

### Greeting Note

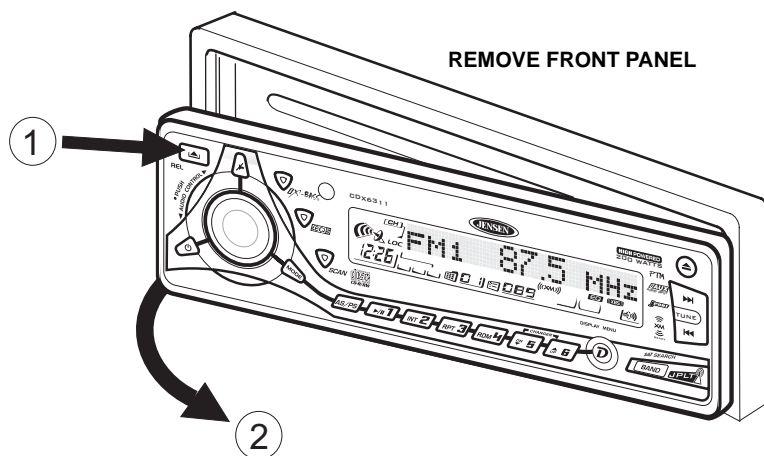
When the unit is powered on, one of three greetings is displayed based on the time of day: “Good Morning”, “Good Afternoon” or “Good Evening”. When the unit is powered off with the ignition on, the LCD scrolls through the following messages (if the selectable clock display feature is activated): “Radio Off”, “Visit us at Jensen.com”, “Enjoy Driving and Have a Safe Trip”.

### Front Panel Release

The front panel release button (9) releases the mechanism that holds the front panel to the chassis.

#### Detaching the Front Panel

To detach the front panel, first press the front panel release button to release the left side of the panel. Next, grasp the released side and pull it off the chassis. After removing the front panel, store it in the supplied carrying case to protect it from dirt and damage.

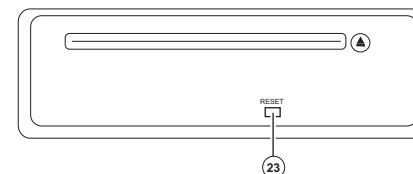


#### Re-attaching the Front Panel

To re-attach the front panel, make sure the electrical terminals on the back of the panel are free of dust and dirt, as debris could cause intermittent operation or other malfunctions. Position the right side of the panel in place so that it is correctly engaged, then lightly press the left side of the panel until the mechanism locks it into place.

### Reset Button

The reset button (23) is located on the front of the chassis and can only be accessed with the front panel removed. The reset circuitry protects the microprocessor circuitry. Since resetting the unit will erase the time and preset memories, it should only be activated upon initial installation after all wiring is complete or if there is a malfunction of any of the switches on the unit. In these circumstances, pressing the reset button will clear the system and return the unit to normal operation.



## TUNER OPERATION

The CDX6311 comes equipped with a World Tuner, allowing you to receive channels in USA, EUROPE, LATIN, & OIRT (Russia). See "Frequency Spacing" on page 7 to learn how to change the World Tuner options.

### Select a Band

Press **BAND** (19) to change between three FM bands and two AM bands. Each band stores up to six preset stations.

### Tuning

#### Manual Tuning

Press the **UP TUNING** (10) or **DOWN TUNING** (11) button for more than three seconds to enter manual tuning mode, then press the **UP TUNING** or **DOWN TUNING** buttons to move the radio frequency number up or down one step.

#### Auto Seek Tuning

Press the **UP TUNING** (10) or **DOWN TUNING** (11) button for less than three seconds to move to next station automatically.

### Scan

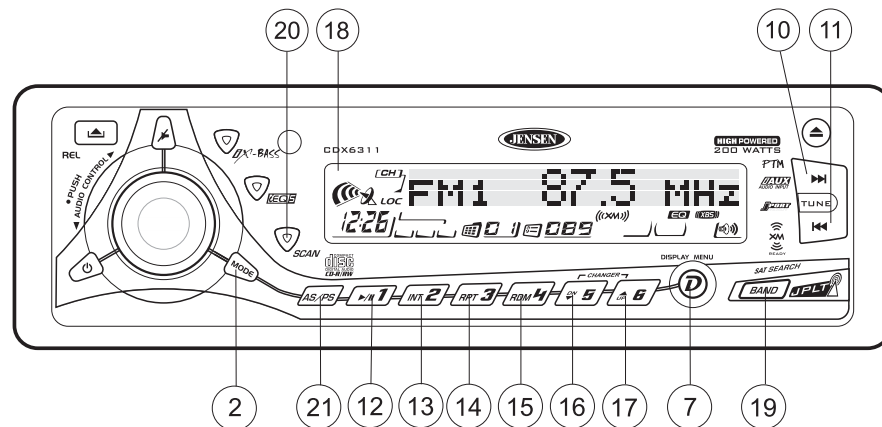
Press **SCAN** (20) to scan through strong stations in the current band. The radio pauses for five seconds at each strong station. Press **SCAN** again to listen to the current station.

### Preset Stations

Six numbered preset buttons store and recall stations for each band.

#### Store a Station

Select a band (if needed), then select a station. Hold a preset button (12-17) for three seconds. The preset number will appear in the display.



#### Recall a Station

Select a band (if needed). Press a preset button (12-17) to select the corresponding stored station.

## Automatically Store / Preset Scan

### Automatically Store

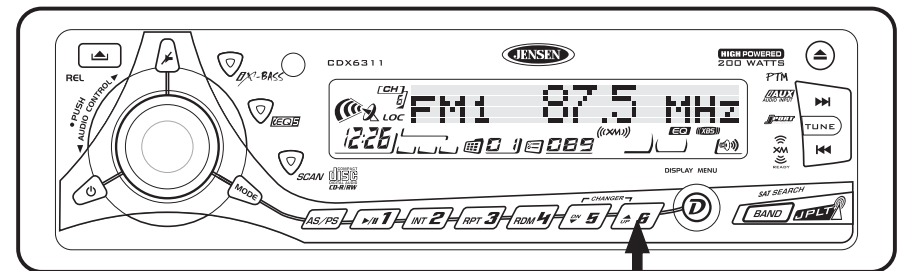
Automatically selects six strong stations and stores them in the current band. Select a band (if needed). Press **AS/PS** (21) for more than three seconds. The new stations replace any stations already stored in that band.

### Preset Scan

Scans stations stored in the current band. Select a band (if needed). Press **AS/PS** (21) for less than three seconds. The unit will pause for ten seconds at each preset station. Press **AS/PS** again to stop scanning when the desired station is reached.

### Stereo

The unit will automatically pick up a stereo signal, when available. When in stereo mode, the "ST" icon (18) appears in the display. When no stereo signal is available, the unit will automatically revert to mono operation, and no icon will be displayed.



Preset Number Appears

Press and Hold



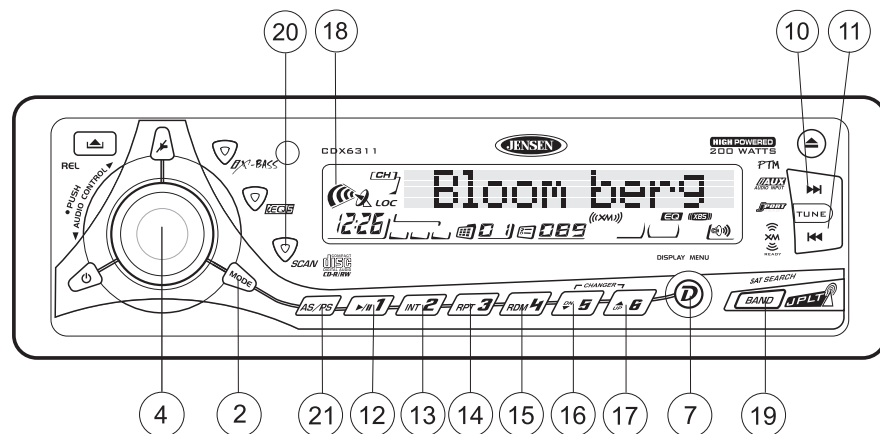


## XM<sup>®</sup> RADIO OPERATION

Listeners can subscribe to XM<sup>®</sup> Radio on the Web by visiting [www.xmradio.com](http://www.xmradio.com), or by calling (800) 967-2346. Customers should have their Radio ID ready (see “Displaying the Identification (ID) Code”). Customers can receive a limited number of free-to-air channels without activation.

### Accessing XM<sup>®</sup> Radio Mode

To switch to XM<sup>®</sup> Radio mode, press **MODE** (2) until “XM RADIO” appears on the display.



### Displaying the Identification (ID) Code

Before you listen to XM<sup>®</sup> Radio, you must subscribe to the service using your radio's identification number. To display the radio ID, press the **DOWN TUNING** (|<<) button (11) to access channel 000. The screen displays “RADIO ID” followed by an 8-figure ID number.

### Selecting a Station

Press the **UP TUNING** (>>|) or **DOWN TUNING** (|<<) button (10 and 11) to change to another station.

### Preset Stations

Press **BAND** (19) to change between three XM<sup>®</sup> Radio bands. Each band stores up to six preset stations. You can store and recall a total of 18 preset stations.

#### Store a Station

1. Select a band (if needed), then select a station.
2. Hold a preset button (12 – 17) for three seconds. The preset number appears in the display.

#### Recall a Station

1. Select a band (if needed).
2. Press a preset button (12 – 17) to select the corresponding stored station.

### Preset Scan

1. Press **AS/PS** (21) for < 3 seconds. The unit pauses for 5 seconds at each preset station for all three bands (XM-1, XM-2, and XM-3).
2. Press **AS/PS** again to stop scanning when the desired station is reached.

### Tuner Modes

Press **DISPLAY** (7) to change the tuner mode to the following options in the order listed.

- Channel Name
- Genre (News, Sports, Hits, Kids, etc.)
- Artist name
- Song Name
- 11 Bar Spectrum Indicator
- PTM (Animated Message)

### Display Information

If the selected channel name, artist, or title exceeds eight characters, the display information will scroll twice upon selection.

### Category Mode

To select stations in a specific category, perform the following steps.

1. Press and hold the **BAND** button (19) until “Direct-T” appears.
2. Press **BAND** again to display “CATEGORY”.
3. Turn the rotary encoder to move through the available categories.
4. Press the **ENTER** button (rotary encoder) to select the displayed category.
5. Once a category is selected, turn the rotary encoder to select stations in the current category.
6. Press the **ENTER** button (rotary encoder) to select the displayed channel.

To change the category while in category mode, press the **AS/PS** button. “CATEGORY” will flash in the display, allowing you to use the 5 and 6 buttons to select a different category.

### Direct Tuning Mode

To enter a station directly, perform the following steps.

1. Press and hold the **BAND** button (19) until “Direct-T” appears.
2. Turn the rotary encoder to display XM CH 0 \_ \_.
3. Turn the rotary encoder again to select the first digit of the desired channel (0, 1, or 2).
4. Press the **ENTER** button (rotary encoder) to enter the first number and move to the second position.
5. Turn the rotary encoder again to select the second digit of the desired channel (0 - 9).
6. Press the **ENTER** button (rotary encoder) to enter the second number and move to the third position.

---

**NOTE: Use the UP TUNING (>>|) or DOWN TUNING (|<<) button (10 and 11) to move between the first and third positions.**

---

7. Turn the rotary encoder again to select the third digit of the channel you want to tune to (0 - 9).
8. Press the **ENTER** button (rotary encoder) to enter the third number and access the channel.

---

**NOTE: If the channel is unauthorized or invalid, “CH Unavail” appears on the LCD and return to the input interface after 2 seconds.**

---

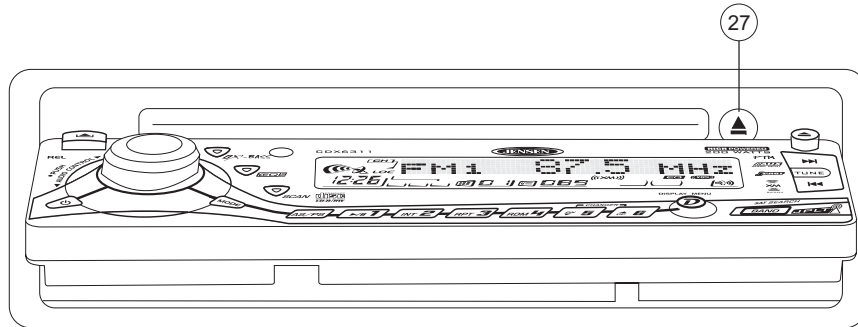
## CD PLAYER OPERATION

### Insert CD

Press the **EJECT** button (22) and the front panel will slide down to display the disc slot. With the label surface facing up, fully insert a compact disc into the slot until the mechanism engages and pulls the disc in. After inserting a disc, press in and up along the bottom edge of the front panel to push the front panel back into the closed position.

### Eject CD

Press the **EJECT** button (22) and the front panel will slide down to display the disc slot.



Press the second eject button (27) to stop CD play and eject the disc. The unit will change to tuner, CD changer or XM operation, depending on which mode was in operation prior to disc play. If the disc is not removed from the unit within 15 seconds, the disc will be reloaded to prevent accidental damage.

**NOTE: The unit is designed for play of standard 5" (12 cm.) compact discs only. Do not attempt to use 3" (8 cm.) CD singles in this unit, either with or without an adaptor, as damage to the player and/or the disc may occur. Such damage will not be covered by the warranty on this product.**

### Pause

Press the pause button (12) to suspend disc play. Press the pause button again to resume disc play.

### Track Select

Press the **UP TUNING** (10) or **DOWN TUNING** (11) button for less than one second to advance to the next track on the CD. The selected track number will appear on the display. Press and hold the **UP TUNING** (10) or **DOWN TUNING** (11) button for more than one second to fast forward or fast reverse through the disc. CD play starts when the button is released.

### Intro Scan (SCN)

During disc play, press **SCN** (13) to play the first 10 seconds of each track on the disc. When the desired track is reached, press **SCN** again to end the scan and play the selected track.

### Repeat (RPT)

Press **RPT** (14) during disc play to continuously repeat the track. Press **RPT** again to stop repeating.

### Random (RDM)

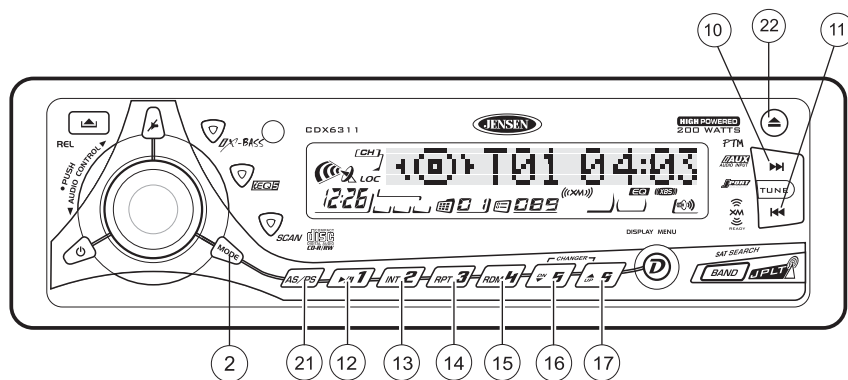
Press **RDM** (15) during disc play to play all tracks on a CD in random, shuffled order. Press **RDM** again to stop random play.

### Display CD Text

Press **AS/PS** (21) to display any text encoded on the CD (song title, artist, etc.).

### CD Player Error Codes

If a problem should develop while operating the CD player, an error code (ER-1, ER-2, etc.) may appear on the display panel. This can indicate a number of problems with the unit, including a mechanical error or an error in the microprocessor control of the player. If an error code should appear, try ejecting and reloading the disc into the player. While the disc is out of the unit, make sure it is clean and undamaged, and then load it correctly. If this does not solve the problem, pressing the reset button may help, but will erase the time and preset memory. If the suggested measures do not solve the problem, contact an approved warranty station near you or contact customer service at 1-800-323-4815 for further assistance.



## CD CHANGER OPERATION

Please call Jensen technical support at 1-800-323-4815 for a complete list of CD changers compatible with this unit. The following Jensen CD Changers are compatible with this unit: JCH10RF and CH1001.

After the CD changer has been installed and properly connected, press the Reset button to initialize the installation. Refer to the owner's manual included with the CD changer for instructions on installing, loading and using the CD magazine.

### CD Changer Mode

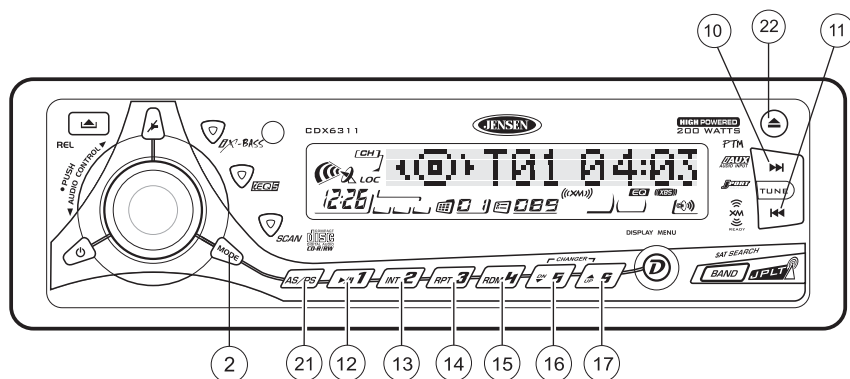
Press **MODE** (2) during radio or disc play to select operation of the CD changer. "CDC" will appear in the display. Disc play will begin, and the disc and track numbers will be shown in the display. If a new magazine has been loaded into the changer, play will begin from the first track of the first disc. If a magazine was already in the changer, play will resume where it ended.

### Disc Select (UP/DN)

To select a disc for play, use the **UP** (17) button to advance to a higher disc or the **DN** (16) button to move back to a lower disc. The number of the disc in play appears on the display.

### Other Features

The Play/Pause, Scan, Repeat, Shuffle, Track Select and Fast Forward/Fast Reverse features for CD changer play are accessed in the same methods as for regular disc play. Refer to the CD Player Operation section of this manual for details.



## CD Changer Error Codes

If problems arise during CD changer operation, the following error codes may appear in the display:

- |   |   |
|---|---|
| ER-1: No magazine loaded in the CD changer. | ER-2: Problem in the disc loading function. |
| ER-3: Error in the disc loading function.   | ER-4: Error in the disc unloading function. |
| ER-5: Error in the magazine position.       | ER-6: Error in the laser pickup position.   |
| ER-7: Error in the laser focus on the disc. |   |

To resolve any of the above problems, eject the magazine from the changer and verify that the discs are clean, undamaged and loaded correctly. Pressing the reset button may help, but will erase the time and preset memories. If the suggested measures do not solve the problem, contact an authorized warranty station near you for further assistance.

## JPORT OPERATION

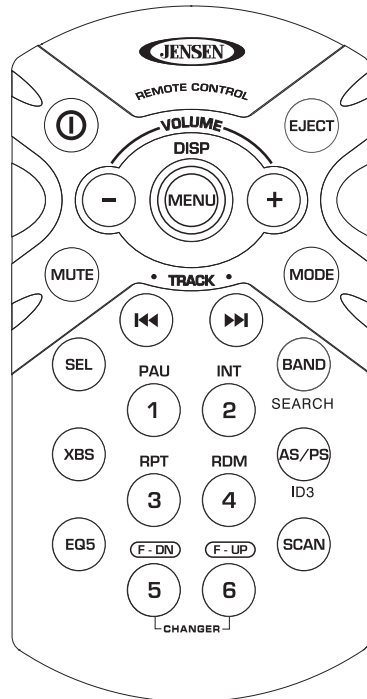
After the jPORT has been installed and connected, press the **RESET** button to initialize the installation. The jPORT can be used to control your iPod or an optional CD Changer. **Refer to the owner's manual included with the jPORT for instructions regarding the operation of your jPORT.**



## REMOTE CONTROL

The remote control will allow you to control the basic functions of the CDX6311.

The remote control sensor is at the top left of the **IX-BASS** (18) button.



## CARE AND MAINTENANCE

### CD Player

The following guidelines will help you extend the life of your CD player:

1. When cleaning the vehicle interior, do not get water or cleaning fluids on the unit.
2. The CD player will not operate properly in extreme hot/cold or under damp conditions. In case of such conditions, wait until the vehicle interior reaches a normal temperature or any condensation on the disc player lens has evaporated before using the player.
3. Never insert anything other than round 5" CDs into the player. Attempting to insert CDs of other sizes (even with an adaptor) will cause damage not covered by the warranty.
4. Always remove the CD when the player is not in use.
5. The unit is designed with a vibration dampening CD mechanism to minimize interruption of disc play due to normal vibration in a moving vehicle. However, occasional sound skips may occur when driving on very rough roads. This will not scratch or damage the disc, and normal play will resume when the rough conditions cease.

### Compact Discs

#### CD-R / CD-RW

Depending on media type and method of "recording / burning", some CD-R/RWs may be incompatible with this unit. After "recording / burning" **the session must be closed**. Please refer to your software's recommended procedures for closing a disc / session. Review your recording software to familiarize yourself with the correct "recording / burning" procedures. We recommend using the latest versions of ROXIO™ or NERO™ burning software.

In addition, **this unit will only recognize the CDDA (Compact Disc Digital Audio) format** "recorded / burned" onto a CD-R/RW. **This unit does not support .MP3, .WMA, .WAV, .OGG or other formats.** The CDDA format is the standard format of an "original store bought" CD. When recording / burning a CD-R/RW make sure the CDDA format is selected.

#### CD Care and Handling

Dirt, dust, scratches and warpage can cause skips in the playback and deterioration of sound quality. Please follow these guidelines to take care of your compact discs.

1. Carefully wipe fingerprints, dust and dirt from the disc's playing surface with a soft cloth. Wipe in a straight motion from the inside to the outside of the disc.
2. Never use chemicals such as record sprays or household cleaners to clean CDs, as they can irreparably damage the disc's surface.
3. Discs should be kept in their storage cases when not in use.
4. Do not expose discs to direct sunlight, high temperatures or high humidity for long periods.
5. **Do not stick paper, tape or CD labels on disc surfaces, as internal damage may occur.**

## TROUBLESHOOTING

Problem	Cause	Corrective Action
Does not operate (display does not light)	No power to yellow wire; no power to red wire	Check connection with test light; check vehicle fuse with test light.
	Inline fuse blown	Replace fuse.
No power to unit	Inline fuse blown	Check/replace fuse.
No speakers operate (display lights normally)	Speaker harness not connected	Connect speaker harness; check speaker wires.
Not all speakers operate	Incorrect splices or connections	Check all splices and connections.
	Speaker wires shorting to chassis ground or to each other	Check splices, insulate all bare wires.
Blows fuses	Power wire shorting to ground	Make sure wire is not pinched.
	Speaker wires shorting to ground	Make sure wire is not pinched.
	Incorrect fuse/fuse too small	Install fuse of correct rating.
CD skips too much	Receiver mount is not solid or backstrap is not secure	Check mounting and backstrap, tighten if needed.

## SPECIFICATIONS



### CEA Power Ratings

Power Output . . . . . 16 watts RMS X 4 channels into 4-ohms @ < 1% THD+N  
 Signal to Noise Ratio . . . . . 70dBA below reference. (Reference: 1 watt, 4-ohms)  
 Dynamic Power . . . . . 76 Watts @ 4-Ohms all channels driven  
 Frequency Response . . . . . 20Hz to 20kHz (-3dB), Auxiliary input used as source reference  
 Reference Supply Voltage . . . . . 14.4VDC

### CD Player

Signal to Noise Ratio . . . . . >90dBA  
 Frequency Response . . . . . 20Hz to 20kHz, -3dB  
 Channel Separation . . . . . > 55dB @ 1kHz  
 D/A converter . . . . . 1-Bit/Ch

### FM Tuner

Tuning Range . . . . . 87.5MHz - 107.9MHz  
 Mono Sensitivity . . . . . 12dBf  
 50dB Stereo Quieting Sensitivity . . . . . 16dBf  
 Stereo Separation @ 1kHz . . . . . >30dB  
 Frequency Response . . . . . 30Hz to 14kHz, -3dB

### AM Tuner

Tuning Range . . . . . 530kHz - 1720kHz  
 Sensitivity @ 20dB Signal to Noise . . . . . 30uV  
 Frequency Response . . . . . 50Hz - 2kHz, -3dB

### Auxiliary Input

Input Sensitivity . . . . . .400mV RMS for 1 watt RMS into 4-ohms  
 Frequency Response . . . . . 20Hz to 20kHz, -3dB  
 Input Impedance . . . . . 10k-ohms

### General

Power Supply . . . . . 11 to 16VDC, negative ground  
 Fuse . . . . . 15 amp, ATO type  
 Wire Harness . . . . . 20-pin quick-disconnect  
 DIN chassis dimensions . . . . . 2" X 7" X 7" (51mm x 178mm x 178mm)

**Specifications subject to change without notice.**

## 12-MONTH LIMITED WARRANTY

AUDIOVOX CORPORATION (the Company) warrants to the original retail purchaser of this product that should this product or any part thereof, under normal use and conditions, be proven defective in material or workmanship within 12 months from the date of original purchase, such defect(s) will be repaired or replaced with new or reconditioned product (at the Company's option) without charge for parts and repair labor. To obtain repair or replacement within the terms of this Warranty, please contact Jensen at the telephone number provided below.

This Warranty does not extend to the elimination of car static or motor noise, to correction of antenna problems, to costs incurred for installation, removal, or reinstallation of the product, or damage to tapes, compact discs, accessories or vehicle electrical systems. This Warranty does not apply to any product or part thereof which, in the opinion of the Company, has suffered or been damaged through alteration, improper installation, mishandling, misuse, neglect, accident, or by removal or defacement of the factory serial number/bar code label(s) or markings. THE EXTENT OF THE COMPANY'S LIABILITY UNDER THIS WARRANTY IS LIMITED TO THE REPAIR OR REPLACEMENT PROVIDED ABOVE AND, IN NO EVENT, SHALL THE COMPANY'S LIABILITY EXCEED THE PURCHASE PRICE PAID BY PURCHASER FOR THE PRODUCT.

This Warranty is in lieu of all other express warranties or liabilities. ANY IMPLIED WARRANTIES, INCLUDING ANY IMPLIED WARRANTY OF MERCHANTABILITY, SHALL BE LIMITED TO THE DURATION OF THIS WRITTEN WARRANTY. ANY ACTION FOR BREACH OF ANY WARRANTY HEREUNDER INCLUDING ANY IMPLIED WARRANTY OF MERCHANTABILITY MUST BE BROUGHT WITHIN A PERIOD OF 12 MONTHS FROM DATE OF ORIGINAL PURCHASE. IN NO CASE SHALL THE COMPANY BE LIABLE FOR ANY CONSEQUENTIAL OR INCIDENTAL DAMAGES FOR BREACH OF THIS OR ANY OTHER WARRANTY, EXPRESS OR IMPLIED, WHATSOEVER. No person or representative is authorized to assume for the Company any liability other than expressed herein in connection with the sale of this product.

Some states do not allow limitations on how long an implied warranty lasts or the exclusion or limitation of incidental or consequential damage so the above limitations or exclusions may not apply to you. This Warranty gives you specific legal rights and you may also have other rights which vary from state to state.

U.S.A: 1-800-323-4815

CANADA: Call 1-800-323-4815 for location of warranty station serving your area.



Audiovox Electronics Corporation  
Hauppauge, NY 11788  
Technical Assistance: 1-800-323-4815  
[www.jensen.com](http://www.jensen.com)

© 2006 Audiovox  
Ver. 060506  
Printed in China



## INTRODUCCIÓN

Felicitaciones por comprar el Receptor Jensen Móvil CDX6311. Es buena idea leer completamente las instrucciones antes de iniciar la instalación. Recomendamos hacer instalar su Jensen CDX6311 por una tienda reconocida.

### Características

#### Listo Para XM

- Requiere Sintonizador Satélite Terk XMD1000 (Vendido por Separado)
- Requiere cables Terk XMDJEN100 o Jensen JXMC XM (Vendidos por Separado)
- La pantalla avanzada muestra artista y título
- Entrada Directa de Canal
- Canal XM y categoría de un vistazo

#### CD

- Memoria de última posición
- Aleatorio/Repetición/Introducción
- Búsqueda audible de pistas en alta velocidad
- Convertidor Digital/Analógico de 1 Bit
- Mecanismo anti choque eléctrico
- Protección Electrónica de Salto de 40 segundos

#### Radio AM/FM

- Radio Mundial
- Programación de 30 estaciones (18 FM / 12AM)
- Radio Plus JENSEN II
- Almacenamiento automático de estaciones
- Escaneo de Programación
- Memoria de un toque
- Estéreo/mono automático
- Local/distante manual
- Sintonía Manual hacia Arriba o hacia Abajo
- Búsqueda Automática de Sintonía hacia Arriba o hacia Abajo
- Sintonía de escaneo de 5 segundos

#### Chasis

- Panel delantero desmontable hacia abajo
- DIN 1.0
- ISO/DIN montable importado
- Arnés de energía de 20 pines

#### General

- Mensaje de Texto Personal - PTM
- Permite mensaje personal de hasta 20 caracteres
- Menú de configuración fácil de usar
- Control de contraste LCD
- Control de brillo LCD
- Reloj
- Prioridad de pantalla para seleccionar
- Iluminación bicolor que se puede cambiar a rojo o azul
- Control remoto infrarrojo (incluido)
- Listo para control remoto de volante IR30 (vendido por separado)
- Pantalla de Cristal Líquido (LCD) de alto contraste positivo
- Volumen, graves, agudos, balance derecho-izquierdo y delantero-trasero electrónicos

- Control de audio rotativo
- Volumen de encendido programable
- Encendido de Botón Múltiple
- Expulsión de CD sin clave
- Salidas preamplificadas delantera de 1 pare
- Voltajes de salida preamplificados RCA 5V Pico / 2V RMS
- Salida preamplificada de baja impedancia de 200-ohm
- Cruce de altavoz de graves de paso bajo de 200Hz
- Entrada auxiliar RCA trasero de 1 par
- Balance delantero-trasero Flex
- iEQ5 -EQ instantáneo
- 5 curvas iEQ para seleccionar - Beat, Jazz, Clásico, Pop y Rock
- Bajo iX - bajo eXtendido instantáneo
- Mudo
- Estuche rígido para transporte

### Accesorios Opcionales

#### Listo para iAUX (vendido por separado)

- Puede conectar a cualquier dispositivo multimedia portable usando un enchufe estándar de 3.5mm
- Convierte entrada auxiliar 3.5mm a salida estéreo RCA para una fácil conexión a las entradas auxiliares de radios

#### Listo para jPORT (Vendido por Separado)

- Controla todos los iPod excepto "Shuffle" (solamente audio)
- Entrada a través de cambiador de CD
- Adaptador y jLinkcable del jPORT (cable del iPod) incluidos con jPORT
- Carga el iPod mientras que conduce

## PREPARACIÓN

### Herramientas y Provisiones

Las siguientes herramientas y provisiones son necesarias para instalar el radio:

- Llave torx, destornilladores plano y Philips
- Cúter y peladores de cables
- Herramientas para remover la radio existente (destornillador, equipo de llave de casquillo y otras herramientas)
- Cinta aisladora
- Enganchador
- Voltímetro / luz de prueba
- Conexiones para enganchar
- Cable de calibre 18 para conexiones eléctricas, cable de altoparlante de calibre 16 a 18

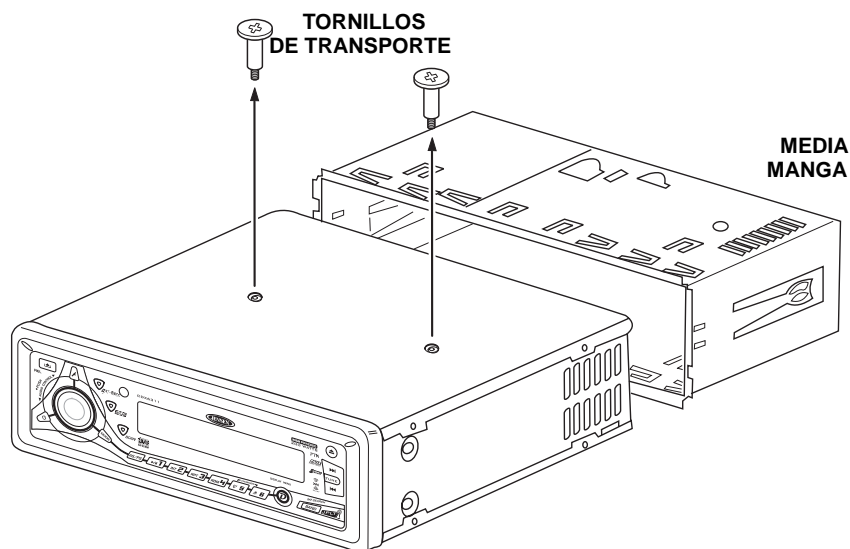
---

**Requerimientos del altavoz: Solamente conecte los altavoces de carga de impedancia de 4 ohms. Altavoces con una carga de impedancia menor a los 4 ohms pueden dañar la unidad.**

---

### Preinstalación

1. **Desconecte la Batería**  
Antes de empezar, siempre desconecte el terminal negativo de la batería.
2. **Quite Tornillos de Transporte**
3. **Quite el Radio de la Manga**  
Levante el pestillo en ambos lados de la manga, quite la mitad del radio de la manga.



# CABLEADO

**Cableado con un Adaptador de Cables (Cómprelos por Separado)**

**Conecte los cables**

Usted puede hacer estas conexiones sin ni siquiera estar en el carro.

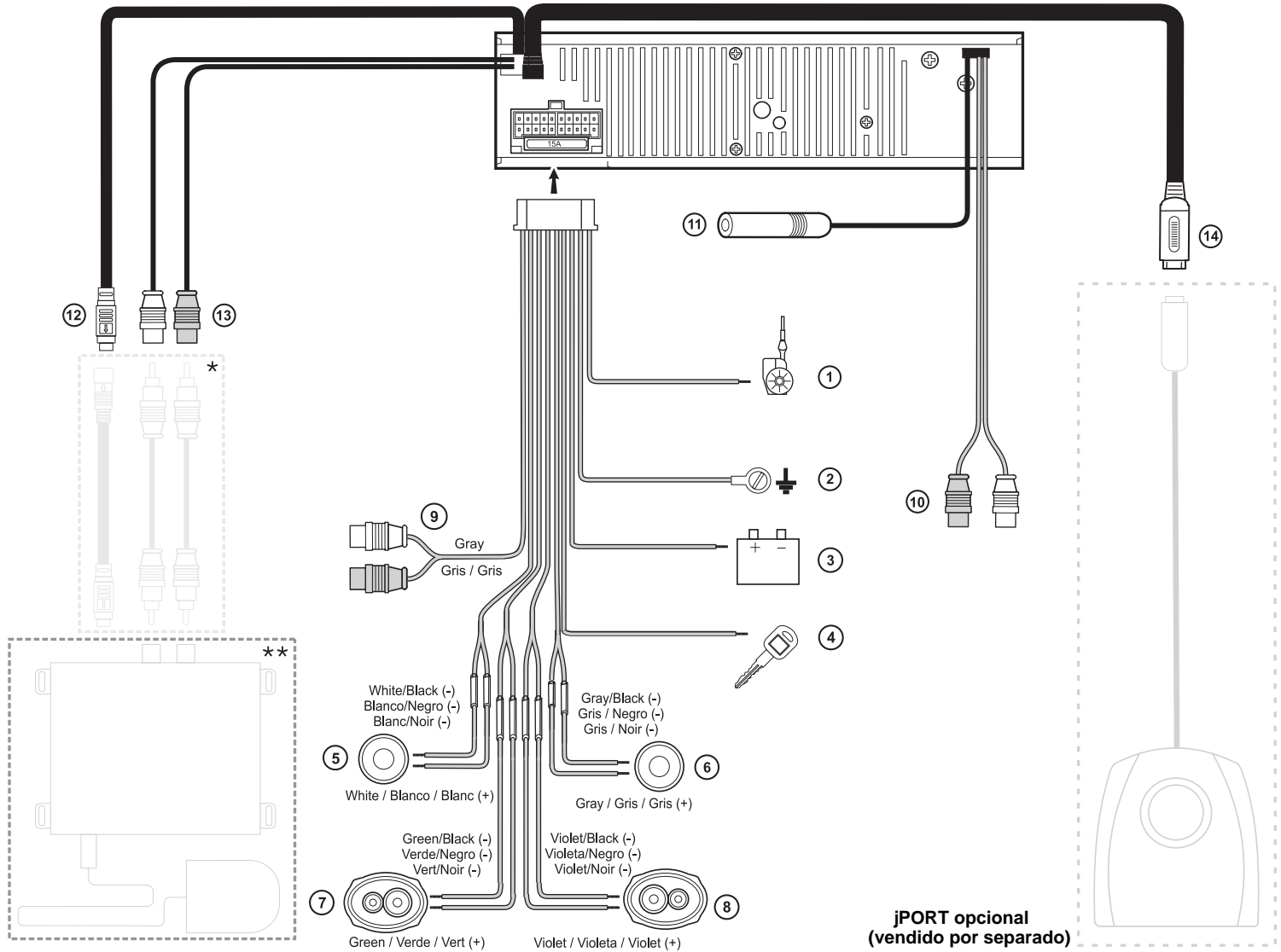
1. Una o conecte a presión.
2. Una el adaptador de cableado al arnés del cableado del carro.

**Diagrama de cableado / Código de colores**

1. Alimentación Antena (cable azul) - Conectar a la antena o al amplificador. Si no se utilizara el cable, se debe recubrir la punta del cable.
2. Conexión a Tierra (cable negro) - Conectar a la terminal de tierra o a una superficie limpia de metal, sin pintura, del chassis.
3. Memoria/Batería (cable amarillo) - Conectar a la batería o a la fuente de energía de 12 voltios que está siempre viva. La radio no funcionará si este cable no está conectado.
4. Accesorio/Ignición (cable roja) - Conectar al cable de la radio o al fusible de la radio.
5. Altavoz Delantero Izquierdo
6. Altavoz Delantero Derecho
7. Altavoz Delantero Izquierdo
8. Altavoz Delantero Derecho
9. Salidas de RCA al Amplificador
10. Cables de RCA auxiliares de entrada (amarillo)
11. Antenna
12. Cable de Direca Conecta XM®
13. XM® Entrada Audio (cables de RCA negro)
14. Cambiador de CD/Conector jPORT - Utilice esta toma DIN de 8 pines para conectar un Cambiador de CD opcional o jPORT (vendido por separado).

\*TERK XMDJEN100 cables sold separately.

\*\*TERK XMD1000 Direct Tuner and antenna sold separately.



**jPORT opcional  
(vendido por separado)**

**NOTA: La amplificador en este radio están únicamente diseñados para ser utilizados con cuatro altavoces. Nunca combine (haga puente) salidas para utilizar con dos altavoces. Nunca tome a tierra puntas negativas del altavoz al piso del chasis. No colocar los cables exactamente como se muestra puede causar daños eléctricos al radio.**

## Fusibles

Cuando reemplace un fusible asegúrese que el fusible nuevo sea del tipo correcto y tenga el amperaje adecuado. Si utiliza un fusible incorrecto puede dañar la radio. El CDX6311 utiliza un fusible de 15 amperios ubicado bajo el conector de cables (Fusible ATO de 15 Amperios disparo rápido).

## Reconexión de la Batería

Cuando haya terminado de colocar los cables, podrá hacer la reconexión de la batería a la terminal negativa de la misma.

## Asistencia Técnica

Si requiere asistencia, contacte al Soporte Técnico al 1-800-323-4815 de 8:30 AM a 7:30 PM tiempo del este de lunes a viernes y de 9:00 AM a 5:00 PM tiempo del este los sábados.

## Conectar el Receptor de Radio Basado en los Satélites (opcional)

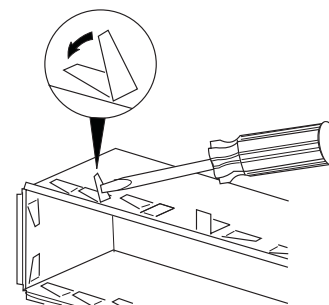
Antes de que usted pueda escuchar la radio basada en los satélites de XM<sup>®</sup>, usted debe instalar el receptor directo y la antena de XM<sup>®</sup> (comprados por separado). El receptor directo de XM<sup>®</sup> recibe las señales basadas en los satélites de la antena externa. Está instalado típicamente en el tablero de instrumentos, bajo asiento, o en el tronco o la parte posterior del vehículo. Usted no monta el receptor directo de XM<sup>®</sup> cerca de temperaturas extremas. Usted no dobla el cable de la antena. Una curva de 90 grados a la envoltura de cable externa causará la degradación de la señal. El digrama eléctrico en la página 3 le ayudará a identificar las conexiones apropiadas.

## INSTALACIÓN

Esta unidad está diseñada para instalar en autos, camiones y camionetas (vans) con abertura para radio existente. En muchos casos, un equipo de instalación especial se necesitará para montar el radio al tablero de instrumentos. Estos equipos se consiguen en tiendas de artículos de electrónica y de estéreos de automóviles. Antes de comprar este equipo, asegúrese de que funcione con su vehículo. Si tiene problemas localizando un equipo de instalación o necesita asistencia para su instalación, contacte Soporte Técnico al 1-800-323-4815 de 8:30 AM a 7:00 PM tiempo del este de lunes a viernes y de 9:00 AM a 5:00 PM los sábados.

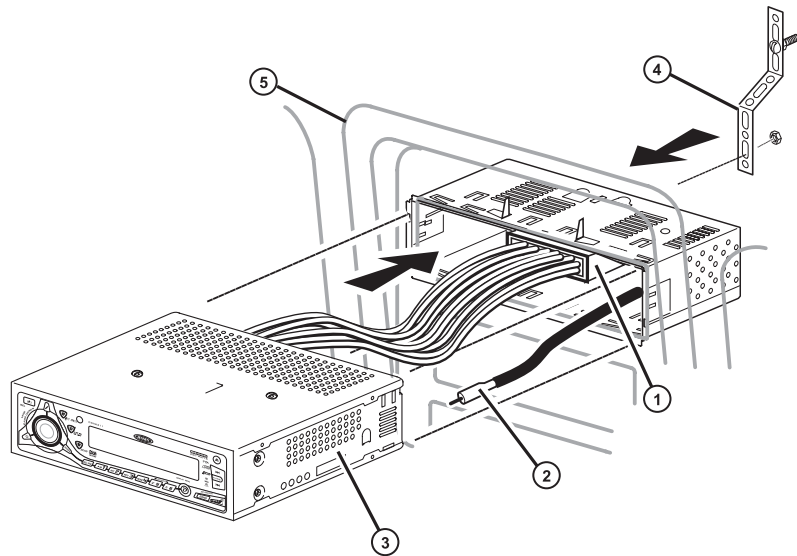
### Instalación Universal Utilizando la Manga de Montaje

1. Quite el panel delantero desmontable, si está adherido al chasis, presionando el botón "Release".
2. Deslice la manga de montaje fuera del chasis. Si está trabada, utilice la herramienta para quitarla (provista). Las claves para quitar figuran en página 21.
3. Verifique el tamaño de apertura del tablero deslizando la manga de montaje adentro del mismo. Si la apertura no es lo suficientemente grande, cuidadosamente corte o lime hasta que la manga se deslice dentro de la apertura. No fuerce la manga dentro de la apertura o provoque que esta se doble. Verifique que haya suficiente espacio detrás del tablero para el chasis del radio.
4. Localice la serie de lengüetas para doblar en la parte superior, inferior y costados de la manga de montaje. Con la manga completamente insertada en la apertura del tablero, doble hacia afuera todas las lengüetas que sean necesarias para que la manga esté asegurada firmemente al tablero.



5. Ubique el radio en frente de la apertura del tablero de manera tal que los cables puedan pasar por la manga de montaje.





6. Siga el diagrama de cableado detalladamente y asegúrese que todas las conexiones del arnés de cables estén seguras y aisladas con tuercas para cables y cinta aisladora para asegurar el apropiado funcionamiento de la unidad.
7. Luego de completar las conexiones del cableado, ajuste el panel delantero y encienda la unidad para confirmar la operación (la ignición debe estar encendida). Si la unidad no opera, verifique nuevamente todas las conexiones de cables hasta que se solucione el problema. Una vez que se alcanza una operación correcta, apague el interruptor de ignición y proceda con el montaje final del chasis.
8. Cuidadosamente deslice el radio dentro de la manga de montaje, asegurándose que el lado correcto esté hacia arriba, hasta que esté completamente colocado y que las presillas lo traben en su lugar.
9. Adjunte un extremo de la cinta de soporte perforada (provista) al perno del tornillo en la parte de atrás del chasis utilizando la tuerca hexagonal provista. Asegure el otro extremo de la cinta perforada a una parte segura del tablero, ya sea arriba o abajo del radio, utilizando un tornillo y una tuerca hexagonal provista. Doble la cinta para colocarla en la posición necesaria. CUIDADO: La parte trasera del radio debe estar soportada con la cinta para prevenir daño al tablero debido al peso del radio o prevenir una operación incorrecta debido a la vibración.
10. Ajuste nuevamente el panel delantero al chasis y pruebe la operación del radio siguiendo las instrucciones operación de la unidad.

**NOTA:** Para una correcta operación del equipo de CD, el chasis debe estar montado dentro de los 20° de horizontalidad. Asegúrese que la unidad esté montada dentro de esta limitación.

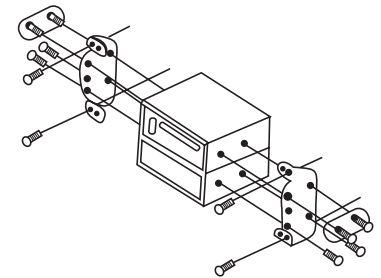
## Equipo de Instalación

Si su vehículo requiere el uso de un equipo de instalación par amontar este radio, siga las instrucciones incluidas con el equipo de instalación para adherir el radio al plato de montaje provisto en el equipo.

1. Conecte el cable y verifique el radio como se determina en las instrucciones de Instalación Universal.
2. Instale el radio o el ensamblaje del plato de montaje al segundo tablero, de acuerdo a las instrucciones en el equipo de instalación.
3. Adjunte la cinta de soporte al radio y al tablero como se describe en las instrucciones de Instalación Universal.
4. Reemplace el panel de ajuste del tablero.

## Instalación ISO

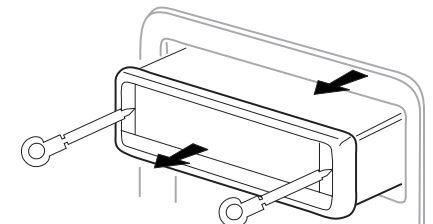
Esta unidad tiene agujeros roscados en los paneles laterales de chasis que pueden utilizarse con las ménsulas de montar originales de fábrica que vienen con algunos vehículos para montar el radio al tablero. Por favor, consulte en su tienda local de estéreos de automóviles si necesita asistencia en este tipo de instalación.



1. Quite del tablero el radio existente de fábrica o centre la consola de montaje. Guarde todos los elementos y ménsulas pues serán utilizados para montar el nuevo radio.
2. Con cuidado destrabe el marco plástico del frente del chasis del nuevo radio. Quite y deseche el marco.
3. Quite las ménsulas y elementos de montaje que vienen de fábrica con el radio existente y adhiéralos al nuevo radio. No exceda el tamaño de tornillo de M5 x 9MM. Tornillos más largos pueden tocar y dañar componentes dentro del chasis.
4. Conecte los cables del nuevo radio al vehículo como se especifica en las instrucciones de Instalación Universal.
5. Monte el ensamblaje del nuevo radio al tablero o a la consola central utilizando el procedimiento reverso al paso 1.

## Cómo Desmontar el Radio

Inserte la(s) herramienta(s). Hale el radio hacia afuera. Desconecte el arnés del cableado, y quite el radio.



**CLAVES PARA QUITAR**

## OPERACIÓN

### Potencia

Presione el botón de potencia (1) o cualquier otro botón en el frente del radio (excepto el botón de expulsar) para encender la unidad. Presione el botón de potencia para apagar el radio.

### Modo

Presione **MODE** (2) para seleccionar un modo diferente de operación como se indica en la pantalla. Los modos disponibles incluyen radio, radio XM (si está instalado), CD, CDC (si está instalado), y auxiliar. El modo CD solamente aparecerá en el menú si un CD ha sido introducido en el equipo previamente.

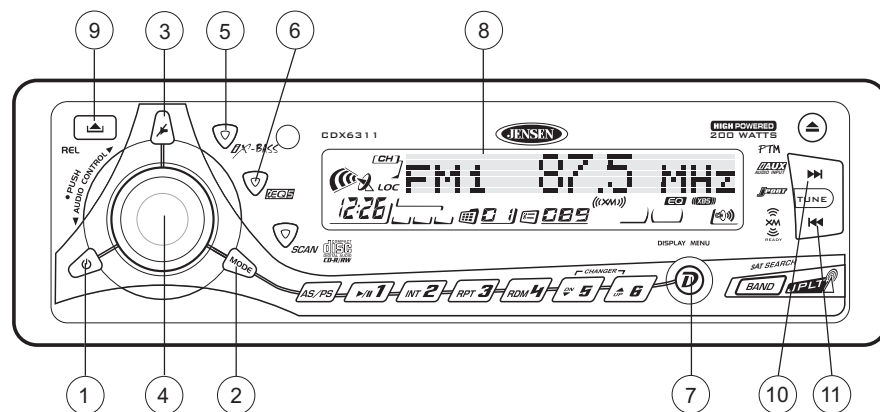
### Audio Mudo

Presione mudo (3) por un momento para enmudecer el volumen del audio, "Mute" aparecerá en la pantalla. Restablezca el volumen a la configuración previa presionando mudo nuevamente.

### Volumen / Regulador Audio

Para incrementar el volumen, rote la perilla de control de volumen (4) hacia el lado de las agujas del reloj. Para bajar el volumen, rote la perilla de control de volumen al contrario de las agujas del reloj. Cuando el volumen se ajusta, el nivel de volumen se muestra en la pantalla como un número en el rango de 00 (el más bajo) a 46 (el más alto).

Presione la perilla de control de volumen para seguir paso a paso el menú de las funciones de audio. La primera opción es volumen, graves, agudos, apagado y nuevamente a volumen. Cuando se ajustan las funciones de audio, la unidad automáticamente sale de modo selección y luego de cinco segundos retorna a la pantalla normal.



### Sonidos Graves

Presione la perilla de control de volumen tres veces, y rótelo hacia el lado de las agujas del reloj o al revés para ajustar los sonidos graves de -6 a +6. "0" representa una respuesta plana.

### Sonidos Agudos

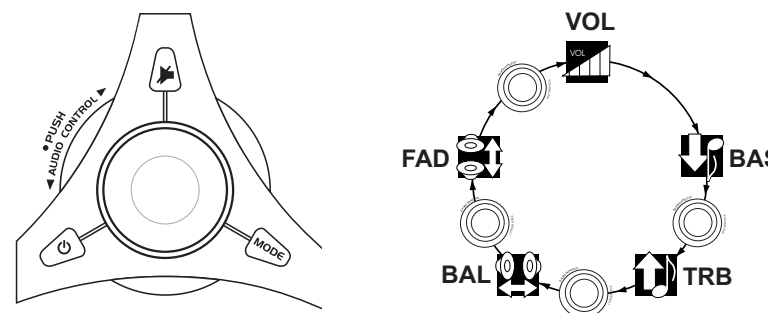
Presione la perilla de control de volumen cuatro veces, y rótelo hacia el lado de las agujas del reloj o al revés para ajustar los sonidos agudos de -6 a +6. "0" representa una respuesta plana.

### Balance

Presione la perilla de control de volumen cinco veces, y rótelo hacia el lado de las agujas del reloj o al revés para ajustar el balance entre los altavoces derecho e izquierdo desde R12 (completamente a la derecha) a L12 (completamente a la izquierda). "C00" representa un balance de nivel igual.

### Atenuación Acústica

Presione la perilla de control de volumen cinco veces, y rótelo hacia el lado de las agujas del reloj o al revés para ajustar el balance entre los altavoces delanteros y traseros desde R12 (completamente hacia atrás) a F12 (completamente hacia adelante). "C00" representa un balance de nivel igual.



### iX-Bass

Presione **iX-BASS** (5) momentáneamente para activar la función de iX-BASS. Cuando escuche música en niveles de volumen bajo, esta función potenciará los rangos bajos y agudos para compensar por las características del oído humano. Cuando esta función se active, "iX-BASS On" aparecerá en la pantalla momentáneamente. Presione **iX-BASS** nuevamente para seleccionar "iX-BASS Off". El icono XBS aparecerá cuando iX-BASS se activa.

### Selector de Ecuador

La función de ecualizador aplica efectos de sonido preseleccionados a la señal de salida de audio de la unidad. Presione **iEQ5** (6) para activar uno de los siguientes modos de operación: "Pop", "Jazz", "Classic", "Beat", "Rock" and "Off".

Cuando la función de ecualizador se activa, los niveles de graves y agudos seleccionados más recientemente son ignorados. Cuando la función de ecualización no está activa, la unidad va a retornar a los niveles graves y agudos seleccionados más recientemente.

### Pantalla de Cristal Líquido (LCD)

El panel de Pantalla de Cristal Líquido (LCD) (8) muestra la frecuencia, tiempo y funciones activadas de la unidad, incluyendo una combinación de indicador de nivel de audio y de disco, el cual aparece como íconos de disco dual con gráficos de barra circulares retratando la señal

de audio. Además, la pantalla contiene un indicador de recepción de señal que retrata la fuerza relativa de la frecuencia de transmisión de entrada.

**NOTA: Paneles LCD pueden tardar más en iluminarse cuando esté expuesto a temperaturas bajas durante un período prolongado de tiempo. Además, la visibilidad de los números en el LCD puede bajar. La pantalla LCD volverá a su normalidad cuando la temperatura suba a un rango normal.**

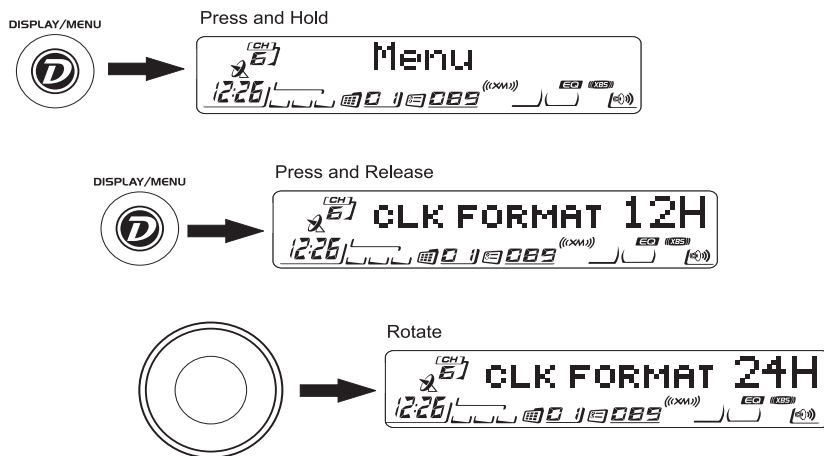
## Opciones de Pantalla

Presione **DISPLAY/MENU** (7) por unos momentos para navegar por las siguientes opciones:

- Tuner: **FREQ > Spectrum > PTM Message**
- CDP: **Elapsed Time > Spectrum > PTM Message**
- XM mode: **Category Name > Artist Name > Song Title > Spectrum > PTM Message > Channel Name**

## Operación del Menú

Una segunda opción de **DISPLAY / MENU**, es acceder a un menú con opciones de radio. Presione **DISPLAY / MENU** por más de tres segundos para ingresar al menú. En pantalla aparecerá por unos momentos "Menu". Navegue el menú presionando por un momento **DISPLAY / MENU** para adelantarse hacia la siguiente opción. También se puede navegar el menú utilizando los botones Sintonía hacia Arriba, **UP TUNING** (10) o Sintonía hacia Abajo, **DOWN TUNING** (11), para continuar hacia la siguiente opción o volver hacia la opción previa. Una vez que la opción deseada aparece en pantalla, ajuste la opción rotando el control de volumen dentro de un período de cinco segundos.



Las siguientes opciones se ajustan con esta función de menú:

### Contraste

El nivel de contraste de la pantalla está predeterminado en "CONTRAST 05". Rote el control de volumen para ajustar el nivel de contraste de "00" a "10".

### Atenuador de Luminosidad

La función del atenuador de luminosidad de pantalla está predeterminada en "DIMMER High", o sea, alta. Rote el control de volumen para cambiar el atenuador a una configuración baja.

### Texto en XM

Esta opción determina si el texto de XM pasa continuamente por la pantalla o no. Esta opción de fábrica viene apagada, en "OFF". Seleccione "ON", encendido, para hacer que el texto de pantalla pase continuamente. Cuando esta opción está apagada, usted puede ver la información presionando continuamente el botón **DISPLAY** (7).

**NOTA: La opción de texto en XM aparece solamente cuando una sintonizador XM está conectada.**

### Formato del Reloj

Esta opción permite la selección del formato del reloj en 12 horas o 24 horas. El reloj está predeterminado en "CLK FORMAT 12H" o sea en 12 horas. Rote el control de volumen para cambiar al formato de reloj a 24 horas.

### Configuración de la Hora

La hora en el reloj estará predeterminada en las "12:00". Programe la hora adecuada rotando el control de volumen en dirección de las agujas del reloj para ajustar los minutos y contrario a las agujas del reloj para ajustar las horas.

### Selector Local / Distancia

Esta función se utiliza para designar la fuerza de las señales en las cuales el radio se detendrá durante la sintonía automática. "Distant", distancia, es la configuración predeterminada que permite al radio detenerse en el más amplio rango de señales. Para que la unidad seleccione solamente estaciones potentes locales durante la sintonía automática, rote el control de volumen hasta que "Local" aparezca en pantalla.

### Espaciador de Frecuencia

Esta opción permite la selección del espaciador de frecuencia apropiado para su área. La configuración predeterminada es "AREA U.S.A.". Rote el control de volumen para seleccionar las opciones de Latinoamérica (Latin), Europa (Europe) u Oriente (Oirt).

### Volumen en Inicio Programable

Esta opción permite la selección del nivel de volumen que el radio asumirá automáticamente cuando se encienda. Para programar un volumen específico en el cual se desea que el radio se encienda, rote el control de volumen para seleccionar el nivel de volumen deseado.

### Tono del Beep

La función de tono de beep permite la selección de un beep audible cuando se presionan los botones del panel delantero del radio. La opción predeterminada es "BEEP TONE On". Rote el control de volumen para seleccionar la opción de apagado, "BEEP TONE Off".

### Color de la Iluminación

Esta opción permite seleccionar entre dos colores de iluminación. "COLOR 1" es la opción predeterminada e iluminará la unidad con luz de fondo azul. Rote el volumen para seleccionar "COLOR 2", la cual iluminará la pantalla con luz de fondo roja.

### Selección de Reloj en Pantalla

Cuando la función de reloj en pantalla está activa, el reloj y el saludo predeterminado aparecerán en pantalla cuando el radio esté apagado pero aún conectado al cable de ignición. La opción predeterminada que aparecerá en pantalla es "CLK ON LCD On". Para seleccionar

que el reloj y el saludo no aparezcan en pantalla cuando la unidad esté apagada, rote el control de volumen hasta seleccionar "CLK ON LCD Off".

#### Luz de Apagado/Encendido

Cuando la llave de luz esté activada (ON) los botones de preconfiguración y el resto de los botones del panel delantero permanecen encendidos cuando la unidad está apagada pero la ignición permanece encendida. Si usted prefiere que los botones no permanezcan iluminados cuando la unidad esté apagada, gire el control de volumen hasta seleccionar "Key Light Off" (Luz Apagada).

#### Mensaje de Texto Personal

El mensaje de texto personal (PTM) le permite ingresar un mensaje personal de hasta 20 caracteres (incluyendo espacios) utilizando las letras A a Z, los número 0 a 9 y los símbolos "\_", "+", "-" y "!". Presione el control de volumen para acceder a esta opción del menú, luego rote el control del volumen hasta seleccionar la primera letra de su mensaje. Una vez seleccionada la primera letra, presione el control de volumen para seguir al siguiente espacio y seleccionar la siguiente letra.

#### Saludo

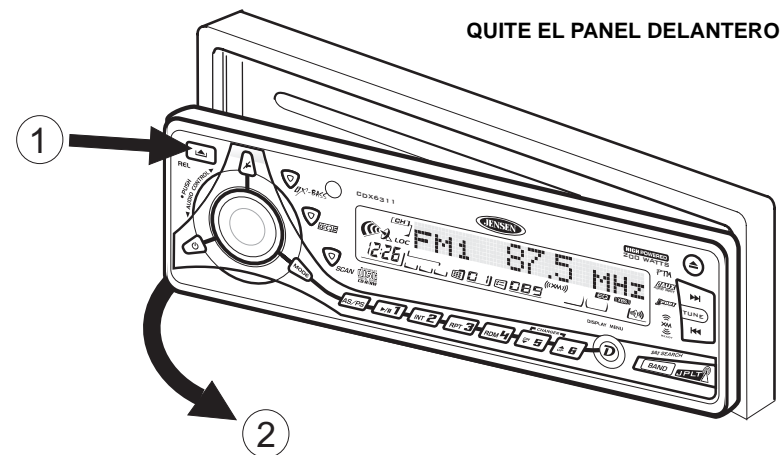
Cuando la unidad esté encendida, uno de los tres saludos aparecerán en pantalla de acuerdo a la hora del día: Good Morning (Buen Día en inglés), Good Afternoon (Buenas Tardes) y Good Evening (Buenas Noches). Cuando la unidad esté apagada pero la ignición permanezca prendida, la pantalla mostrará el siguiente mensaje si la función de reloj en pantalla está activada: "Radio Off, Visit us at Jensen.com, Enjoy Driving and Have a Safe Trip." (Radio Apagada, Visítenos en Jensen.com, disfrute su paseo y tenga usted un buen viaje).

#### Remover el Panel Delantero

El botón para remover el panel delantero (9) suelta el mecanismo que sujeta el panel al chasis.

##### Removiendo el Panel Delantero

Para remover el panel delantero, presione el botón para liberar el panel, el cual se destrabará del lado izquierdo. Tome el lado liberado y quite completamente el panel fuera del chasis. Cuando el panel delantero se extrae, debe ser guardado en la caja para transportarlo y así protegerlo de suciedad o daños.

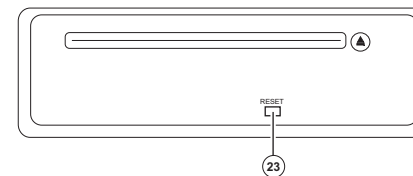


#### Reinsertando el Panel Delantero

Para colocar nuevamente el panel, asegúrese que no hay polvo o suciedad en las terminales electrónicas de la parte trasera del panel, esto puede causar una operación intermitente u otro mal funcionamiento. Posicione la parte derecha del panel en su lugar de tal forma que esté correctamente enganchado, luego presione suavemente la parte izquierda del panel hasta que el mecanismo se trabe en su lugar.

#### Botón de Reconfigurar (Reset)

El botón para reconfigurar (RESET, 23) está ubicado en el frente del chasis y solamente se puede acceder a él quitando el panel frontal. El sistema de circuitos de reconfiguración protege los circuitos del microprocesador. Debido a que el uso del botón de reconfiguración borraría la hora y las memorias grabadas, el mismo sólo debe ser activado en la instalación inicial, luego de que todo el cableado esté conectado, o si funciona mal algún interruptor de la unidad. En estas circunstancias, presionando el botón reset puede limpiar el sistema y retornar la unidad a una operación normal.



## OPERACIÓN DE LA RADIO

El CDX6311 viene equipado de un sintonizador del mundo, permitiendo que usted reciban los canales en los E.E.U.U., EUROPA, el LATÍN, y OIRT (Rusia). Vea "Espaciador de Frecuencia" en la página 23 para aprender cómo cambiar las opciones de Radio Mundial.

### Selección de Banda

Pulse **BAND** (19) para sintonizar la radio entre las tres bandas FM y dos bandas AM. Cada banda almacena la selección de hasta seis emisoras.

### Selección de Emisora

#### Manual

Pulse el botón a templar para arriba o abajo (10 o 11) por más de 3 segundos para cambiar la frecuencia de la radio y buscar el número de las emisoras en forma ascendente o descendente.

#### Búsqueda

Pulse el botón a templar para arriba o abajo (10 o 11) por menos de 3 segundos y suéltelo para continuar a la siguiente estación automáticamente.

### Rastreo

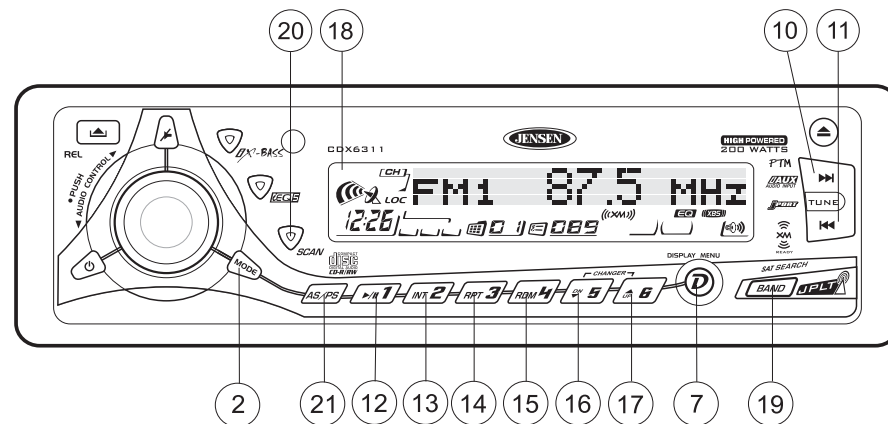
Presione **SCAN** (20) para rastrear las emisoras de señal fuerte de la banda actual. La radio hace pausa por cinco segundos en cada emisora. Presione de nuevo **SCAN** para escuchar la emisora actual.

### Preselección de Emisoras

Seis botones numerados de preselección para almacenar o llamar emisoras de cada banda.

#### Cómo almacenar una emisora

Seleccione una banda (si fuera necesario), y seleccione una emisora. Mantenga pulsado durante tres segundos un botón de preselección (12-17). El número programado aparecerá en la pantalla.



### Cómo llamar una emisora

Seleccione una banda, (si fuera necesario). Pulse un botón de preselección (12-17) para seleccionar una emisora almacenada previamente.

### Almacenamiento Automático / Preselección Mediante Escáner

#### Almacenamiento Automático de Emisoras

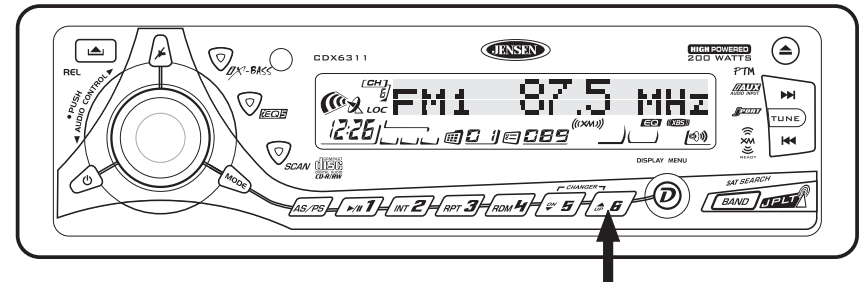
Seleccione seis emisoras de señal fuerte y almacénelas en la banda actual. Seleccione una banda si fuera necesario. Mantenga pulsado el botón la **AS/PS** (21) en forma continua por más de 3 segundos. Las emisoras seleccionadas reemplazarán a aquellas que se habían almacenado previamente.

#### Preselección Mediante Escáner

Busque con el escáner las emisoras almacenadas en la banda actual. Seleccione una banda si fuera necesario. Pulse el botón **AS/PS** (21) por menos de 3 segundos. La radio hará una pausa de 5 segundos en cada emisora que encuentre. Pulse **AS/PS** nuevamente para que el escáner se detenga cuando haya encontrado la emisora deseada.

### Stereo

La unidad tomará automáticamente una señal estérea, cuando esta' disponible. Cuando en modo estéreo, el icono del ST (18) aparece. Cuando no hay señal estérea disponible, la unidad invertirá automáticamente a la mono operación, y no se exhibirá ningún icono.



El número preseleccionado aparecerá

Presione y mantenga presionado



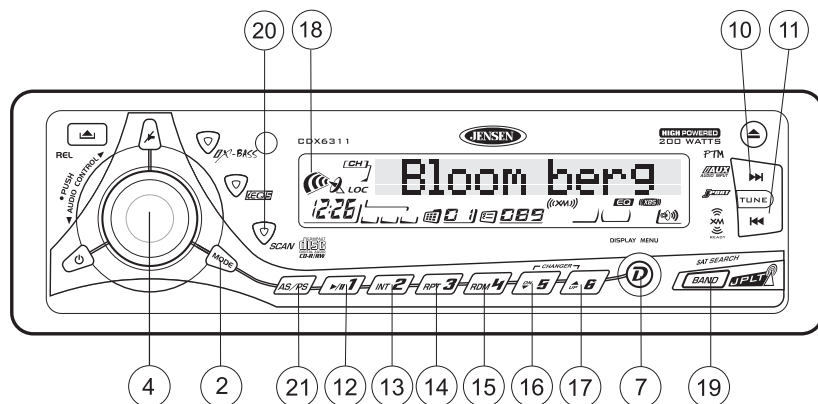


## OPERATION DE LA RADIO XM®

Usted puede suscribir a la radio de XM® en [www.xmradio.com](http://www.xmradio.com), o llamando (800) 967-2346. Usted necesitará la identificación de la radio (véase la sección de la Exhibir el Número de la Identificación). Los clientes reciben un número pequeño de los canales sin la activación.

### Usar La Radio XM®

Para cambiar al modo de radio de XM®, presione el botón del **MODE** (2) hasta que "XM RADIO" aparece en la exhibición.



### Exhibir el Número de la Identificación

Antes de que usted escuche la radio de XM®, usted debe suscribir al servicio usando el número de identificación de su radio. Para exhibir la identificación de la radio, presione el botón **DOWN TUNING** (|<<) (11) para seleccionar el canal 000. La pantalla exhibe la "RADIO ID" seguida por un número de la identificación.

### Selección de Emisora

Pulse **UP TUNING** (>>|) o **DOWN TUNING** (|<<) (10 y 11) para cambiar la frecuencia de la radio.

### Preselección de Emisoras

Pulse **BAND** (19) para sintonizar la radio entre las tres bandas XM®. Cada banda almacena hasta seis estaciones preestablecidas. Usted puede almacenar y recordar un total de 18 estaciones preestablecidas.

#### Cómo Almacenar una Emisora

1. Seleccione una banda (si fuera necesario), y seleccione una emisora.
2. Mantenga pulsado durante tres segundos un botón de preselección (12 – 17). El número programado aparecerá en la pantalla.

#### Cómo Llamar una Emisora

1. Seleccione una banda, (si fuera necesario).
2. Pulse un botón de preselección (12 – 17) para seleccionar una emisora almacenada previamente.

#### Preselección Mediante Escáner

1. Pulse el botón **AS/PS** (21) por menos de 3 segundos. La radio hará una pausa de 5 segundos en cada emisora que encuentre para las tres bandas (XM-1, XM-2, y XM-3).

2. Pulse **AS/PS** (21) nuevamente para que el escáner se detenga cuando haya encontrado la emisora deseada.
3. Press a preset button (12 – 17) to select the corresponding stored station.

### Modos Del Sintonizador

Presione el botón del **DISPLAY** (7) para cambiar la exhibición del sintonizador a las opciones siguientes.

- Nombre del canal
- Tipo de música (noticias, deportes, música popular, niños)
- Nombre del artista
- Nombre de la canción
- Indicador Visual de 11 Barras
- PTM (Mensaje Animado)

#### Exhibición del Sintonizador

Si el nombre, el artista, o el título seleccionado del canal excede ocho caracteres, la información de la exposición se moverá dos veces a través de la pantalla.

#### Modo de Categoría

Para seleccionar estaciones en una específica categoría, siga los siguientes pasos.

1. Mantenga presionado el botón de banda, **BAND** (19), hasta que aparezca "Direct-T".
2. Presione **BAND** nuevamente para mostrar la categoría, "CATEGORY".
3. Gire el codificador rotativo para pasar por las categorías disponibles.
4. Presione el botón **ENTER** (codificador) para seleccionar la categoría que se muestra.
5. Una vez que se selecciona una categoría, gire el codificador para seleccionar las estaciones de la categoría actual.
6. Presione el botón **ENTER** (codificador) para seleccionar la estación que se muestra.

Para cambiar la categoría mientras está en modo categoría, presione el botón **AS/PS**. "CATEGORY" destellará en pantalla, permitiéndole utilizar los botones 5 y 6 para seleccionar una categoría diferente.

### Modos Del Sintonizador (continuado)

#### Modo de Sintonía Directa

Para ingresar directamente una estación, siga los siguientes pasos.

1. Mantenga presionado el botón de banda, **BAND** (19), hasta que "Direct-T" aparezca.
2. Gire el codificador para mostrar XM CHO \_ \_.
3. Gire el codificador nuevamente para seleccionar el primer dígito del canal que desea sintonizar (0, 1 o 2).
4. Presione el botón **ENTER** (codificador) para ingresar el primer número y seguir a la segunda posición.
5. Gire el codificador nuevamente para seleccionar el segundo dígito del canal que desea sintonizar (0 a 9).
6. Presione el botón **ENTER** (codificador) para ingresar el segundo número y seguir a la tercera posición.

**NOTA: Utilice los botones UP TUNING (>>|) o DOWN TUNING (|<<) (10 y 11) para moverse entre el segundo y tercer lugar.**

7. Gire el codificador nuevamente para seleccionar el tercer dígito del canal que usted desea sintonizar (0 a 9).
8. Presione el botón **ENTER** (codificador) para ingresar el tercer dígito y acceder al canal.

**NOTA: Si el canal no está autorizado o no es válido, "CH Unvail" aparece en pantalla y vuelve a la pantalla de ingreso luego de dos segundos.**

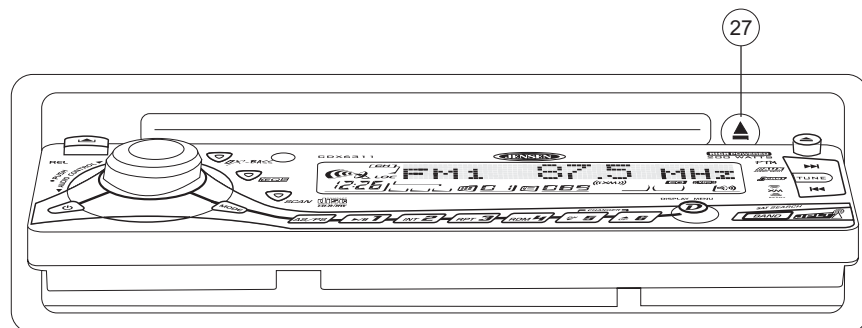
## OPERACIÓN DEL REPRODUCTOR DE CD

### Inserte y Quite CDs

Presione el botón del expulsar (22) y el panel delantero resbalará abajo para exhibir la ranura del disco. Con los revestimientos de la superficie de la etiqueta para arriba, inserte completamente un disco compacto en la ranura hasta que el mecanismo contrata y tira del disco adentro. Después de insertar un disco, clave y suba a lo largo del borde inferior del panel delantero para empujar el panel delantero nuevamente dentro de la posición cerrada.

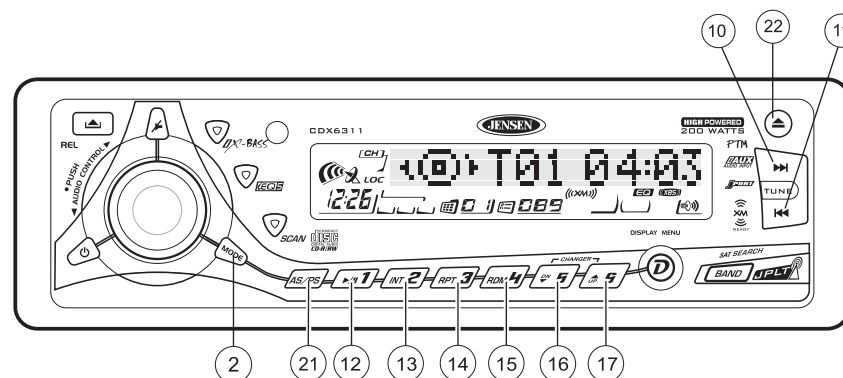
### Quite CDs

Presione el botón del expulsar (22) y el panel delantero resbalará abajo para exhibir la ranura del disco.



Presione el segundo expulsar el botón (27) para parar el juego del CD y para expulsar el disco. La unidad cambiará al sintonizador, al cambiador del CD o a XM la operación, dependiendo de la cual el modo estaba en la operación antes del juego del disco. Si el disco no se quita de la unidad en el plazo de 15 segundos, el disco será recargado para prevenir daño accidental.

**NOTA:** La unidad está diseñada para pasar discos compactos estándar de 5" solamente (12 cm.). No intente utilizar CD simples de 3" (8 cm.) en esta unidad, con o sin adaptador, pues puede causar daños en el equipo y/o en el disco. Tales daños no serán cubiertos por la garantía de este producto.



### Pausa

Pulse pausa (12) para dar pausa a la reproducción del CD.

### Salto de Pistas

Pulse el botón de sintonía hacia arriba o abajo (10 o 11) por menos de un segundo para avanzar a la siguiente pista del CD. Los números de las pistas se muestran en el visualizador. Sostenga el botón de sintonía hacia arriba o abajo (10 o 11) por más de un segundo para avanzar o regresar rápido. El CD comienza a tocar el momento que suelta el botón.

### En Rastreo (SCN)

Presione **SCN** (13) para reproducir los primeros diez segundos de cada pista del CD. Presione de nuevo para detener el rastreo y escuchar la pista.

### Repetición (RPT)

Presione **RPT** (14) para repetir continuamente la misma pista. Presione de nuevo para detener la Repetición.

### Reproducción al Azar (RDM)

Presione **RDM** (15) para reproducir todas las pistas del CD en un orden aleatorio. Presione de nuevo para detener la Reproducción al Azar.

### Exhiba la Información del CD

Presione **AS/PS** (21) para discos codificados en CD-TEXT para los Títulos Album, Pista y Artista.

### Códigos de Error del Equipo de CD

Si un problema surge mientras se opera el equipo de CD, un código de error (ER-1, ER-2, etc.) puede aparecer en la pantalla. Esto puede indicar problemas con la unidad, incluyendo un error mecánico o un error de control del microprocesador del equipo. Si aparece un error de código, intente solucionarlo expulsando y recargando el disco dentro del equipo. Mientras el disco esté fuera de la unidad, asegúrese que esté limpio, sin daños y correctamente colocado. Si esto no resuelve el problema, intente presionando el botón de reconfiguración, pero esto borrará la hora y las memorias preseleccionadas. Si las medidas sugeridas no resuelven el problema, contáctese con el servicio de garantía oficial más cercano o servicio de cliente del contacto en 1-800-323-4815 para recibir asistencia.

## OPERACIÓN DEL CAMBIADOR DE CD

Por favor, llame al soporte técnico Jensen al 1-800-323-4815 para obtener una lista completa de Cambiadores de CD compatibles con esta unidad. Los siguientes Cambiadores de CD Jensen son compatibles con esta unidad: JCH10RF y CH1001.

Luego que el cambiador de CD ha sido instalado y conectado adecuadamente, presione el botón Reset para iniciar la instalación. Diríjase al manual del propietario incluido en el cambiador de CD para obtener instrucciones de su instalación, carga y uso del depósito de CD.

### Modo de Cambiador de CD

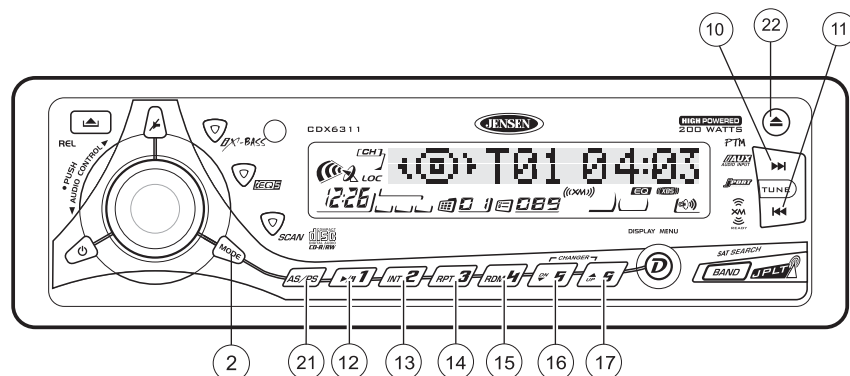
Presione **MODE** (2) durante la ejecución de la radio o de un CD para seleccionar la operación de cambiador de CD. La ejecución del disco comenzará y el disco y los números de sus pistas se mostrarán en la pantalla. Si el nuevo depósito ha sido cargado dentro del cambiador, la ejecución se iniciará desde la primera pista del primer disco. Si el depósito estaba ya cargada en el cambiador, la ejecución se reanudará desde la pista en el disco que estaba siendo ejecutado previamente.

### Selección de Disco

Para seleccionar el disco deseado, utilice **UP** (17) para avanzar hacia un número de disco superior o **DN** (16) para moverse a un número de disco inferior. El número de disco en ejecución será mostrado en la pantalla.

### Otras Funciones

Las funciones de Pausa, Repetición, Reproducción al Azar, En Rastreo y Selección de Pista durante la ejecución del cambiador de CD, se pueden utilizar en la misma forma que para la ejecución de un CD regular. Refiérase a la sección de Operación del Equipo de CD de este manual si desea más detalles.



### Códigos de Error del Cambiador del CD

Si los problemas se presentan durante la operación del cambiador del CD, los códigos de error siguientes pueden aparecer en la exhibición:

ER-1: Ningún compartimiento cargó en el cambiador del CD.

ER-2: Problema en la función del cargamento del disco.

ER-3: Error en la función del cargamento del disco.

ER-4: Error en la función que descarga del disco.

ER-5: Error en la posición del compartimiento.

ER-6: Error en la posición de la recolección del laser.

ER-7: Error en el foco del laser en el disco.

Para resolver cualesquiera de los problemas antedichos, intento que expulsa el compartimiento del cambiador y que se asegura de que los discos son limpios, indemnes y cargados correctamente. Presionar el botón del reajuste (11) puede ayudar, pero éste borrará el tiempo y preestablecerá memorias. Si las medidas sugeridas no solucionan el problema, entre en contacto con una estación aprobada de la garantía cerca de usted para la ayuda adicional.

## OPERACIÓN DEL JPORT

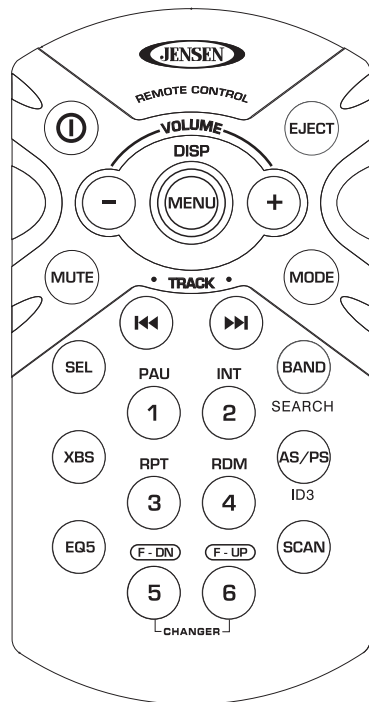
Luego que el jPORT ha sido instalado y conectado, presione el botón Reset para iniciar la instalación. El jPORT puede ser usado para controlar su iPod o un Cambiador de CD opcional. **Lea el manual del propietario incluido con el jPORT para obtener instrucciones sobre la operación de su jPORT.**



## CONTROL REMOTO

El control remoto le permitirá controlar las funciones básicas del CDX6311.

El sensor del mando a distancia está en la izquierda superior del botón de **IX-BASS** (18).



## CUIDADO Y MANTENIMIENTO

### Cuidado del Equipo de CD

Las siguientes guías le ayudarán a extender la vida de su equipo de CD:

1. Cuando limpie el interior del vehículo, no utilice agua o líquidos de limpieza en la unidad.
2. El equipo de CD no operará adecuadamente en condiciones de temperaturas extremas como caliente o frío o en condiciones de humedad. En caso de tales casos, espere hasta que el interior del vehículo alcance una temperatura normal o que cualquier condensación en los lentes del equipo de CD haya evaporado antes de utilizar el equipo.
3. Nunca inserte nada de menos de 5" de diámetro del CD en el equipo. Intentar insertar un CD de otro tamaño (aún con un adaptador) puede causar daños no cubiertos por la garantía.
4. Siempre quite el CD cuando no utilice el equipo.
5. La unidad está diseñada con un mecanismo de amortiguación de la vibración para minimizar la interrupción de la ejecución del disco debido a la vibración normal de un vehículo en movimiento. Sin embargo, cuando esté conduciendo en caminos en malas condiciones, es posible que algunos sonidos se escapen. Esto no rayará o dañará el disco. Cuando las malas condiciones del camino cesen, se reanudará la ejecución normal.

### Información de Discos

#### CD-R / CD-RW

Algún CD-R/RW's puede ser incompatible con esta unidad. **La sesión recording debe ser cerrada.** Refiera por favor a sus procedimientos recomendados software's para cerrar un disco. Repase su software de la grabación para familiarizarse con los procedimientos correctos de la grabación. Recomendamos el usar de las versiones más últimas software de la grabación de ROXIO TM o de NERO TM.

**Esta unidad reconoce solamente el formato de CDDA (audio de Digital del disco compacto) registrado sobre un CD-R/RW. Esta unidad no apoya el MP3, el WMA, el WAV, el OGG u otros formatos.** El formato de CDDA es el formato estándar de un almacén original comprado CD. Cerciérese de que el formato de CDDA esté seleccionado al registrar un CD-R/RW.

#### Cuidado y Manejo del CD

La suciedad, polvo, rayas o combado puede causar saltos en la reproducción y deterioro en la calidad del sonido. Por favor, siga estos lineamientos para el cuidado de sus discos compactos.

1. Cuidadosamente limpie con una tela suave las huellas digitales, polvo y suciedad de la superficie del disco a ejecutar. Realice un movimiento derecho desde el interior al exterior del disco.
2. Nunca utilice químicos tales como vaporizadores para discos o limpiadores del hogar para limpiar CD, pues pueden dañar al superficie del disco irreparablemente.
3. Los discos se deben mantener en sus cajas cuando no están siendo utilizados.
4. No esponga los discos a la luz del sol, a temperaturas altas o a condiciones de humedad alta por períodos prolongados.
5. **No pegue papel, cinta o etiquetas en las superficies del disco ni escriba con ningún tipo de marcador, como interno el daños pueden ocurrir.**

## CORRECCIÓN DE PROBLEMAS

Problema	Causa	Correccion
El equipo no funciona (el visualizador no se enciende)	No hay corriente en el cable amarillo. No hay corriente en el cable rojo.	Revise la conexión con la luz de prueba. Revise el fusible del vehículo con la luz de prueba.
	El fusible está quemado	Reemplace el fusible.
La alimentación no va a la unidad	El fusible está quemado	Examine/reemplace el fusible.
Ninguno de los altoparlantes funciona (las luces del visualizador funcionan).	El colector del altoparlante no está conectado	Conecte el colector de cables del altoparlante. Revise los cables del altoparlante.
No todos los altoparlantes funcionan	Conexiones o conectores incorrectas	Examine todas las conexiones y los conectores.
	Los cables del altoparlante hacen cortocircuitos hasta la conexiones	Examine las conexiones y recubra los cables pelados con cinta aislante.
Fusibles quemados	El cable hace cortocircuito en la conexión a tierra	Asegúrese de que el cable no está pellizcado.
	Los cables del altoparlante producen cortocircuitos en la conexión a tierra	Asegúrese de que el cable no está pellizcado.
	Fusible incorrecto/fusible demasiado pequeño	Instale el fusible do voltaje apropiado.
El CD salta demasiado	El montaje del receptor no está sólido o la correa de retención no está bien segura	Revise la correa de montaje y retención, ajústela si es necesario.

## ESPECIFICACIONES



### Grados De Energía de CEA

Salida de energía . . . . . 16 vatios RMS X 4 canales a 4-ohmios @ < 1% THD+N  
 Promedio de ruido/señal . . . . . 70dBA debajo de referencia. (Referencia: 1 vatio, 4-ohmios)  
 Energía dinámica . . . . . 76 vatios @ de 4-ohms, todos los canales conducidos  
 Respuesta de frecuencia . . . . . 20Hz - 20kHz (-3dB), Entrada auxiliar usada como referencia  
 Voltaje de la referencia . . . . . 14.4VDC

### Reproductor de CD

Promedio de ruido/señal . . . . . >90dBA  
 Respuesta de frecuencia . . . . . 20Hz - 20kHz, - 3dB  
 Separación de canales . . . . . >55dB @ 1kHz  
 Transformador D/A . . . . . 1Bit/Ch

### Sintonización FM

Alcance de sintonización . . . . . 87.5MHz - 107.9MHz  
 Sensibilidad mono FM . . . . . 12dBf  
 50 dB de umbral de sensibilidad (estéreo) . . . . . 16dBf  
 Separación de estéreo a 1 kHz . . . . . >30dB  
 Respuesta de frecuencia . . . . . 30Hz - 14kHz, - 3dB

### Sintonización AM

Alcance de sintonización . . . . . 530kHz - 1720kHz  
 Sensibilidad AM . . . . . 30uV  
 Respuesta de frecuencia . . . . . 50Hz - 2kHz, - 3dB

### Entrada Auxiliar

Sensibilidad de la entrada . . . . . 400mV RMS por 1 vatio RMS a 4-ohmios  
 Respuesta de frecuencia . . . . . 20Hz - 20kHz, -3dB  
 Impedancia de la entrada . . . . . 10k-ohmios

### General

Suministro de corriente . . . . . 11 - 16 VDC, negativo a tierra  
 Fusibles . . . . . 15 amperios, tipo de ATO  
 Arnés de cableado . . . . . 20-pernos, de desconexión rápida  
 Dimensiones . . . . . 2" x 7" x 7" (51mm x 178mm x 178mm)

Las especificaciones están sujetas a cambio sin previo aviso.

## GARANTIA LIMITADE DE 12 MESES

AUDIOVOX CORPORATION (la Compañía) garantiza al comprador minorista original del presente producto que en el caso de que este producto o cualquiera de las partes del mismo, bajo circunstancias y condiciones de uso normal, tuviera algún defecto, tanto en el material como en la mano de obra, dentro de un plazo de 12 meses a partir de la fecha de compra original, dicho(s) defecto(s) serán reparados o reemplazados (a criterio de la Compañía) sin cargo alguno por las piezas y la mano de obra para la reparación. Para obtener servicios de reparación o sustitución en virtud de los términos y las condiciones de la presente Garantía, entre en contacto con por favor Jensen en el número de teléfono proporcionado abajo.

Esta Garantía no cubre la eliminación de la estática del automóvil ni los ruidos del motor, la corrección de los problemas de antena, los gastos incurridos para la remoción o la reinstalación del producto, o los daños provocados a las cintas, los discos compactos, los accesorios o los sistemas eléctricos del vehículo. Esta Garantía no se aplica a aquellos productos, o partes de los mismos, que según opinión de la Compañía, hayan sufrido algún daño o fue dañado como consecuencia de alguna alteración, instalación incorrecta, maltrato, uso indebido, negligencia, accidente o por la eliminación o mutilación de las etiquetas correspondientes al número de serie y código de barras de la fábrica. LA RESPONSABILIDAD QUE LA COMPAÑIA ASUME EN VIRTUD DE LA PRESENTE GARANTIA SE LIMITA A LA REPARACION O LA SUSTITUCION QUE SE MENCIONAN ANTES Y, BAJO NINGUNA CIRCUNSTANCIA, LA RESPONSABILIDAD DE LA COMPAÑIA HABRA DE EXCEDER EL PRECIO DE COMPRA QUE EL COMPRADOR PAGO POR EL PRODUCTO.

Esta Garantía reemplaza a toda otra garantía expresa o implícita. TODA GARANTIA IMPLICITA, INCLUYENDO AQUELLAS GARANTIAS IMPLICITAS DE BUENA CALIDAD Y COMERCIALIZACION, ESTARA LIMITADA A LA DURACION DE ESTA GARANTIA ESCRITA. CUALQUIER TIPO DE DEMANDA JUDICIAL POR INCUMPLIMIENTO DE ALGUNAS DE LAS CONDICIONES DE LA GARANTIA ESPECIFICADA EN EL PRESENTE, INCLUIDA CUALQUIER GARANTIA IMPLICITA DE BUENA CALIDAD Y COMERCIALIZACION, DEBERA PRESENTARSE EN EL PLAZO DE 12 MESES A PARTIR DE LA FECHA DE LA COMPRA ORIGINAL. DE NINGUN MODO LA COMPAÑIA TENDRA RESPONSABILIDAD ALGUNA POR CUALQUIER DAÑO O PERJUICIO INDIRECTO O INCIDENTAL OCASIONADO POR EL INCUMPLIMIENTO DE LA PRESENTE GARANTIA, O DE CUALQUIER OTRA GARANTIA EXPRESA O IMPLICITA. Ninguna persona ni representante está autorizada a asumir responsabilidad alguna en nombre de la Compañía, excepto por lo expresado en la presente garantía, en relación con la venta de este producto.

Algunos estados no permiten limitaciones respecto de la duración de una garantía implícita o la exclusión o limitación de los daños indirectos o incidentales, por lo tanto, es posible que las limitaciones antes citadas no correspondan en su caso. La presente Garantía le otorga derechos especiales y usted puede gozar de otros derechos que varían de un estado a otro.

U.S.A : 1-800-323-4815

CANADA: Llamar a 1-800-323-4815 para la ubicación de la estación que le proporciona servicio de garantía.



Audiovox Electronics Corporation  
Hauppauge, NY 11788  
Technical Assistance: 1-800-323-4815  
[www.jensen.com](http://www.jensen.com)

© 2006 Audiovox  
Ver. 060506  
Impreso en China



## INTRODUCTION

Félicitations d'avoir acheté un Récepteur Mobile Jensen CDX6311. C'est une bonne idée de lire toutes les instructions avant de commencer l'installation. Nous recommandons que vous faites installer votre Jensen CDX6311 par une boutique d'installation de bonne réputation.

### Fonctions

#### Prêt pour XM

- Exige une boîte Tuner de Satellite de Terk XMD1000 (vendu séparément)
- Exige des câbles Terk XMDJEN100 ou Jensen JXMC XM (vendu séparément)
- Affichage avancé montre l'artiste et le titre de la chanson
- Entrée chaîne directe
- Chaîne XM et catégorie à un coup d'œil

#### CD

- Mémoire de la dernière position
- Hasard/répétition/intro
- Recherche de piste à haute vitesse audible
- Convertisseur 1 bit D/A
- Mécanisme anti-choc
- 40 secondes ESP - Electronic Skip Protection

#### AM/FM Tuner

- Tuner mondial
- 30 stations pré-réglées (18FM/12AM)
- Jensen Plus Tuner II
- Stockage de station automatique
- Balayage des pré-réglés
- Mémoire à touche unique
- Stéréo/mono automatique
- Local/à distance à la main
- Syntonisation vers le haut/vers le bas à la main
- Recherche syntonisation vers le haut/vers le bas automatique
- Syntonisation de balayage à 5 secondes

#### Chassis

- Dalle détachable swing-down
- 1,0 DIN
- Import ISO/DIN montable
- Harnais de puissance à 20 aiguilles

#### Général

- PTM - Message textuel personnel
- Permet un message personnel de 20 caractères
- Menu configuration convivial
- Contrôle contraste affichage à cristaux liquides
- Contrôle gradateur affichage à cristaux liquides
- Horloge
- Priorité d'affichage sélectionnable
- Illumination basculable bicolore - Rouge ou Bleu
- Télécommande infrarouge (fourni)
- Prêt télécommande volant IR30 (vendu séparément)
- Affichage à cristaux liquides à haut contraste positif
- Volume, basse, aigu, balance, équilibreur électronique

- Contrôle audio enchiffreur à rotation
- Volume temps de fermeture programmable
- Puissance en marche multi-bouton
- Ejection du CD sans touche
- Sorties pré-amplification avant à 1 pair
- Sortie pré-amplification basse impédance 200 ohm
- 1 sortie pré-amplification caisson de basse (RCA) (contrôle de niveau ajustable)
- Aire de recouvrement caisson de basse à bas passe 200 Hz
- Entrée auxiliaire arrière RCA à 1 paire
- Flex-Fader
- iEQ5 - EQ instantané
- 5 courbes iEQ sélectionnable - Beat, Jazz, Classique, Pop et Rock
- iX Basse - Basse étendue instantanée
- Muet
- Etui dur

### Accessoires facultatifs

#### Prêt pour iAUX (vendu séparément)

- Peut être branché à n'importe quel engin média portatif ou un engin multi-média en utilisant une prise standardisée de 3,5mm
- Convertir l'entrée auxiliaire 3,5mm à des sorties stéréos RCA pour un branchement facile aux entrées auxiliaires de radios

#### Prêt pour jPORT (vendu séparément)

- Contrôle tous les iPods sauf « Shuffle » (seulement audio)
- Entrée passthru changeur CD
- Adaptateur et jLinkcable de jPORT (câble d'iPod) inclus avec le jPORT
- Charge l'iPod tout en conduisant

## PRÉPARATION

### Outils et matériel

Vous aurez besoin des outils et du matériel suivants pour installer la radio :

- Type Torx des tournevis plat et Philips
- Des coupeurs de fil et séparateurs d'épuisement
- Outils pour enlever la radio existante (tournevis, un ensemble de clés à douille et d'autres outils)
- Bande électrique
- Outil à sertissage
- Voltmètre/lumière d'épreuve
- Connexions à sertissage
- Fer jauge 18 pour branchage puissance, fer jauge 16-18 de haut parleur

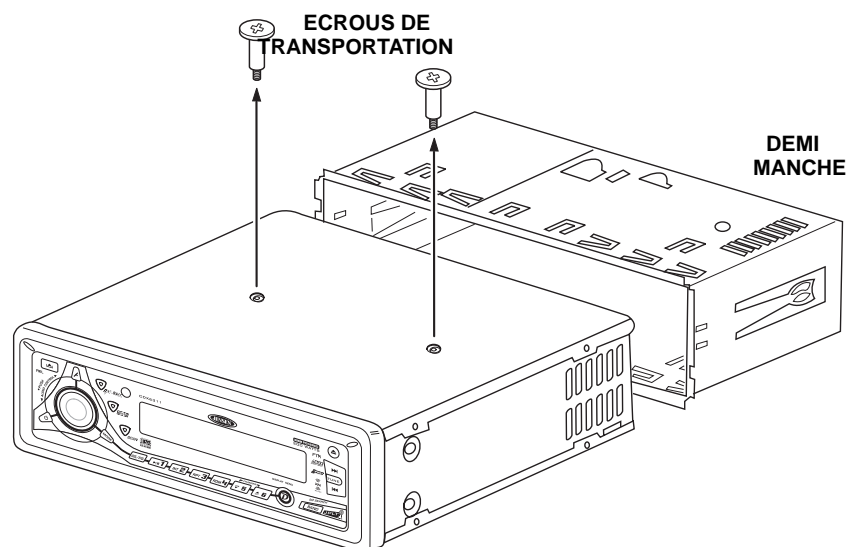
---

**Pour les haut parleurs : Ne connectez que les haut parleurs qui sont évalués pour une impédance de charge de 4 ohms. Des hauts parleurs avec une impédance de charge de moins de 4 ohms peuvent nuire à l'appareil.**

---

### Pré-installation

1. **Débranchez la pile**  
Débranchez toujours la borne négative de la pile, avant de commencer.
2. **Enlevez les écrous de transportation**
3. **Enlevez la radio de la manche**  
Soulevez les loquets aux deux côtés de la manche pour enlever la demi-manche de la radio.



## CÂBLAGE

Raccordement au câblage avec un adaptateur (acheté séparément)

### Raccordement des fils

Vous pouvez effectuer ces branchements même sans être dans la voiture.

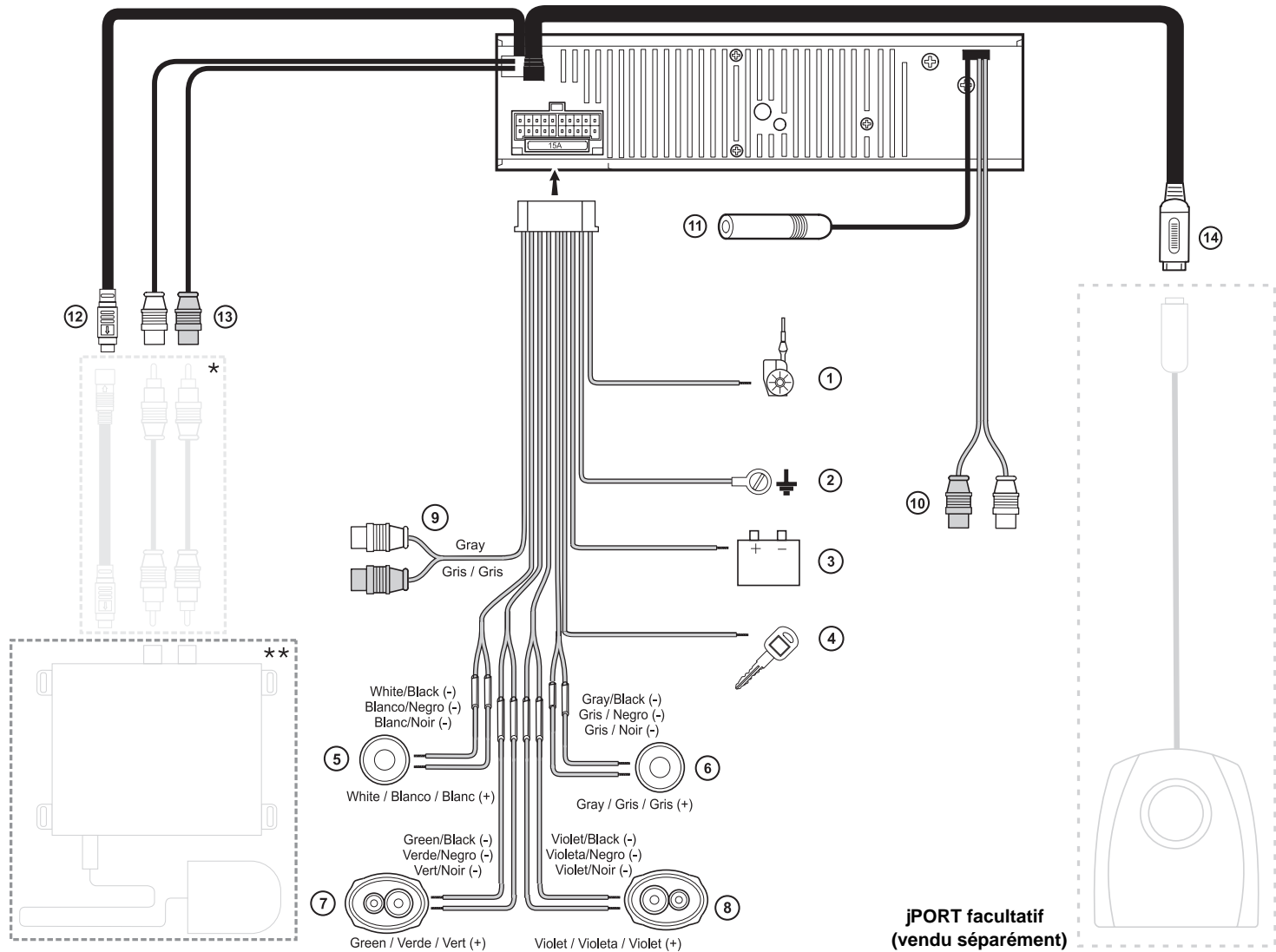
1. Effectuez les branchements par raccord ou sertissage.
2. Fixez l'adaptateur de câblage au faisceau de câbles de la voiture.

### Le diagramme de câblage / Le code de couleurs

1. Antenne motorisée (fil bleu foncé) - Branchez à l'antenne motorisée ou à l'amplificateur. S'il n'est pas utilisé, recouvrez l'extrémité dénudée du fil de ruban adhésif.
2. Mise à la terre (fil noir) - Connectez à la borne de mise à la terre ou à un point métallique propre, non peint, du châssis.
3. Mémoire/batterie (fil jaune) - Connectez à la batterie ou à une source d'alimentation 12 volts toujours sous tension. La radio ne fonctionnera pas si ce fil n'est pas branché.
4. Accessoires/allumage (fil rouge) - Connectez au fil de la radio existante ou au fusible du radio.
5. Haut parleur d'avant à gauche
6. Haut parleur d'avant à droite
7. Haut parleur d'arrière à gauche
8. Haut parleur d'arrière à droite
9. Sorties de RCA à l'amplificateur
10. Câbles de RCA d'entrée auxiliaire (jaune)
11. Antenne
12. Câble de connexion directe XM®
13. Entrée Audio XM® (noir câbles de RCA)
14. Changeur CD/Connecteur jPORT - Utilisez cette prise femelle à 8 aiguilles pour brancher un changeur CD facultatif ou un jPORT (vendu séparément).

\*TERK XMDJEN100 cables sold separately.

\*\*TERK XMD1000 Direct Tuner and antenna sold separately.



jPORT facultatif  
(vendu séparément)

**A NOTER : Le amplificateur dans cette radio sont destinés à l'utilisation avec quatre haut-parleurs. Ne combinez jamais les sorties pour utilisation avec deux haut-parleurs. Ne mettez jamais les fils de sortie du haut-parleur à la masse. Vous pouvez nuire à votre radio si vous ne faites pas le câblage exactement comme montré.**

## Fusibles

Lors du remplacement d'un fusible, assurez-vous que le fusible de remplacement est du type et de la puissance appropriés. L'utilisation d'un fusible non approprié pourrait endommager la radio. Le CDX6311 est doté d'un fusible de 15 A, situé sous le connecteur du câblage (15 A à fusion rapide, type ATO).

## Rebranchement de la batterie

Une fois les fils installés, rebranchez la borne négative de la batterie.

## Aide technique

Si vous avez besoin d'aide, prenez contact avec le support technique au numéro 1-800-323-4815 de 8h 30 à 19h EST lundi à vendredi, de 9h à 17h, le samedi.

## Branchement de la radio récepteur satellite (facultatif)

Avant de pouvoir écouter votre radio satellite XM<sup>®</sup>, vous devez installer le récepteur direct XM<sup>®</sup> avec antenne (achetés séparément). Le récepteur direct XM<sup>®</sup> est l'équipement central de réception de données, exigées pour traiter les signaux satellites de l'antenne externe. Il est typiquement installé dans le tableau de bord, sous le siège, dans le coffre ou à l'arrière du véhicule. Ne montez pas le récepteur direct XM<sup>®</sup> près d'une bouche de chauffage ou là où il est exposé à des températures extrêmes. En outre, lorsque vous branchez le câble pour l'antenne externe, ne tordez ou pincez pas le câble. Un angle de 90 degrés, ou une petite égratignure sur la gaine du câble peut provoquer une dégradation du signal. Le diagramme de câblage sur la page 3 vous aidera à retrouver les bonnes connexions.

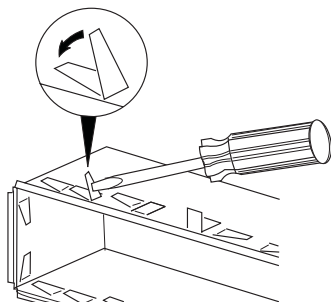


## INSTALLATION

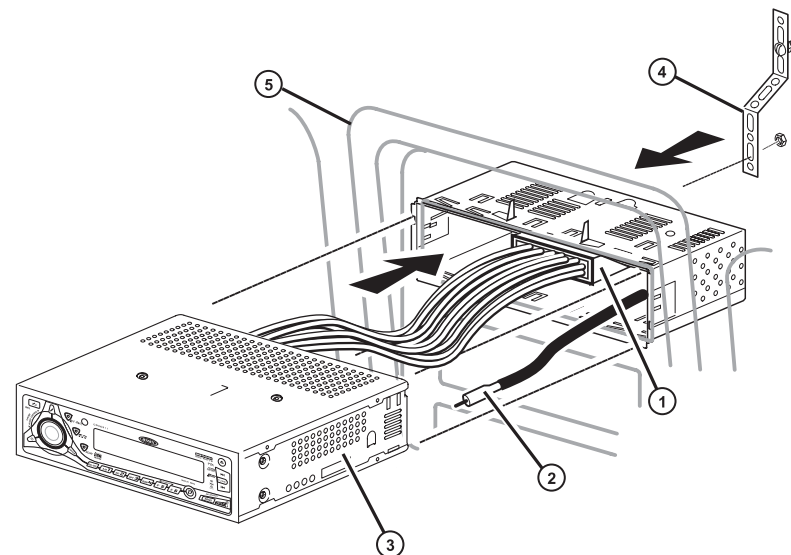
Cet appareil est dessiné pour être installé dans des automobiles, des camions et des camionnettes avec une ouverture radio existante. Dans bien des cas, il vous faudra une trousse d'installation spéciale pour monter cette radio à la planche de bord. Vous pouvez acheter ces trousse dans des magasins de matériel électronique, ou des magasins spécialisant dans des stéréos de voitures. Vérifiez que la trousse soit compatible avec votre véhicule. En cas de problèmes ou si vous avez besoin d'aide, prenez contact avec Support Technique au numéro 1-800-323-4815 de 8h 30 à 19h EST lundi à vendredi, de 9h à 17h, le samedi.

### Installation universelle à l'aide du manchon du montage

1. Enlevez le panneau d'avant détachable s'il est attaché au châssis en appuyant sur le bouton relâche.
2. Glissez le manchon du montage de sur le châssis. Au cas où il serait verrouillé, utilisez les outils d'enlèvement (fournis) pour désengager. Les touches d'enlèvement sont dépeintes à la page 38.
3. Vérifiez la taille de l'ouverture dans la planche à bord en glissant le manchon du montage sur elle. Si l'ouverture n'est pas assez grande, coupez ou limez jusqu'à ce que vous ayez la taille correcte. Ne forcez pas le manchon dans l'ouverture de façon à ce qu'il plie ou se courbe. Vérifiez qu'il y aura de la place suffisante derrière la planche à bord pour le châssis radio.
4. Trouvez une série de languettes à courbure dans les parties supérieures et inférieures et aux côtés du manchon. Avec le manchon complètement inséré dans la planche de bord, pliez autant de languettes que vous pouvez jusqu'à ce que le manchon soit bien fixé à la planche de bord.
5. Placez la radio devant l'ouverture dans la planche à bord, afin que le câblage puisse être fait à travers le manchon du montage.



6. Consultez soigneusement le schéma du câblage et rassurez-vous que toutes les connexions du harnais câblage sont sûrs et isolés avec de la bande électrique ou des écrous de fil afin de garantir le fonctionnement correct de l'appareil.



7. Lorsque vous aurez fini avec les connexions câbles, attachez le panneau d'avant et mettez l'appareil en marche pour confirmer l'opération (il faut que l'allumage soit en marche). Si l'appareil ne fonctionne pas, vérifiez le câblage jusqu'à ce que le problème soit réglé. Lorsque l'appareil est en opération, coupez l'allumage et passez au montage final du châssis.
8. Glissez la radio sur le manchon du montage en vous assurant que la direction du montage est bonne et jusqu'à ce qu'il soit bien en siège et les attaches à ressort se verrouillent.
9. Attachez un bout de la lanière de support perforée (fournie) au goujon du clou qui se trouve à la derrière du châssis, en utilisant le clou hexagonal fourni. Attachez l'autre bout de la lanière perforée à la partie sûre de la planche à bord, soit au-dessus soit au-dessous de la radio en utilisant le clou et le clou hexagonal fournis. Pliez la lanière comme nécessaire. CAUTION : L'arrière de la radio doit être supportée par la lanière afin d'éviter de nuire à la planche à bord à cause du poids de la radio ou des opérations incorrectes à cause des vibrations.
10. Rattachez le panneau d'avant au châssis et vérifiez l'opération de la radio en vous référant aux instructions d'opération pour l'appareil.

**A NOTER : Pour le fonctionnement correct du changeur CD, le châssis doit être monté au dedans du 20 degrés horizontal. Assurez vous que l'appareil soit monté à l'intérieur de cette limite.**

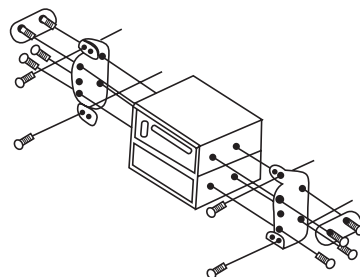
## Installation de la trousse

Si votre voiture exige l'usage d'une trousse d'installation pour monter la radio, suivez les instructions qui accompagnent la trousse pour attacher la radio au plateau de montage fourni avec la trousse.

1. Câblez et testez la radio en suivant les instructions pour l'installation universelle.
2. Installez l'ensemble radio /plateau de montage à la sous-planche de bord suivant les instructions contenues dans la trousse d'installation.
3. Attachez la lanière de support à la radio et à la planche de bord suivant les instructions pour l'installation universelle.
4. Remplacez le panneau de la planche de bord.

## Installation ISO

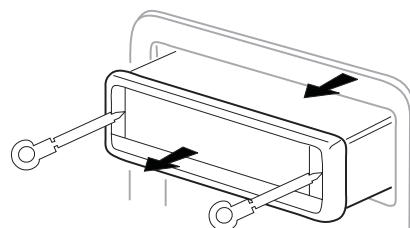
L'appareil a des trous à visser sur les panneaux de côté du châssis qui peuvent être utilisés avec les supports de montage de l'usine de certains véhicules pour monter la radio sur la planche de bord. Consultez votre magasin de stéréos voiture pour être aidé dans ce type d'installation.



1. Enlevez la radio d'usine existante de la planche de bord ou du console central de montage. Préservez tout le matériel et les consoles qui seront utilisés pour monter la nouvelle radio.
2. Ouvrez d'un coup sec le cadre plastique du devant du châssis de la nouvelle radio.
3. Enlevez et jetez le cadre. Enlevez les supports de montage et le matériel de la radio existante et attachez-les à la nouvelle radio. Ne dépassez pas une taille de clou de 5mm x 9mm. Des clous plus longs peuvent nuire aux composants à l'intérieur du châssis.
4. Câblez la nouvelle radio au véhicule en suivant les instructions pour l'installation universelle.
5. Montez l'ensemble de la nouvelle radio à la planche de bord ou au console central en renversant la procédure établie par (1).

## Retrait de radio

Insérez l'outil ou les outils spéciaux. Tirez l'autoradio. Débranchez le faisceau de câbles et enlevez l'autoradio.



TOUCHES D'ENLÈVEMENT

## OPÉRATION

### Alimentation

Appuyez sur le bouton alimentation (1) ou sur n'importe quel bouton sur la radio (excepté le bouton éjection) pour mettre l'appareil en marche lorsque l'allumage est en fonction. Appuyez de nouveau sur le bouton alimentation pour éteindre la radio.

### Mode

Appuyez sur **MODE** (2) pour sélectionner un mode d'opération différent indiqué sur le panneau d'affichage. Des modes disponibles peuvent comprendre la radio, radio XM (s'installé), CD, CDC (s'installé) et auxiliaire. La mode CD n'apparaîtra dans le menu que s'il y a un disque compact dans le lecteur de CD.

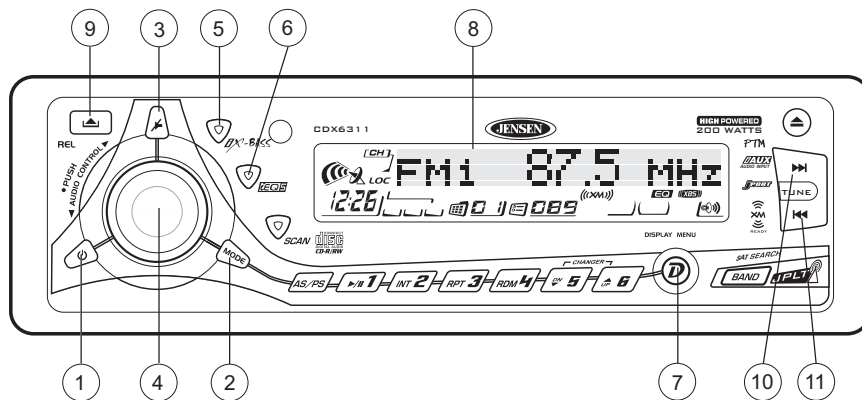
### Mise en sourdine

Appuyez sur mise en sourdine (3) pour mettre le volume audio en sourdine. Sourdine sera apparaîtra sur le panneau d'affichage. Vous pouvez rétablir le volume en appuyant de nouveau sur ce mise en sourdine.

### Volume / contrôleur audio

Pour augmenter le volume, tourner le contrôleur volume (4) dans le sens des aiguilles d'une montre. Pour diminuer le volume, tourner le contrôleur du volume contre le sens des aiguilles d'une montre. Lorsque le volume est ajusté, le niveau de volume sera affiché sur le panneau d'affichage comme un numéro allant de 00 (le plus bas) à 46 (le plus haut).

Appuyez sur le contrôleur volume pour accéder au menu des fonctions audio. La première option est volume, basse, aigu, équilibre, atténuateur et retour au volume. Lorsque vous ajustez les fonctions audio, l'appareil sortira automatiquement du mode sélection pour retourner à l'affichage normal, au bout de cinq secondes ou lorsqu'une autre fonction est activée.



### Basses

Appuyez sur le contrôleur volume trois fois, et tournez-le dans ou contre le sens des aiguilles d'une montre pour ajuster les basses de -6 à +6. « 0 » signifie une réponse plate.

### Aiguës

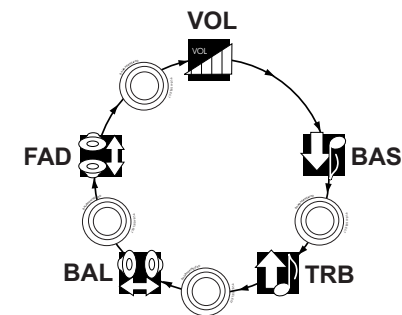
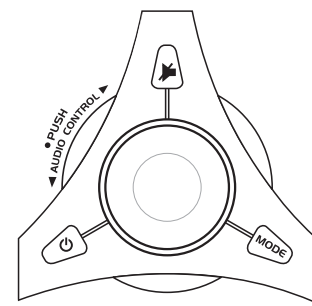
Appuyez sur le contrôleur volume quatre fois, et tournez-le dans ou contre le sens des aiguilles d'une montre pour ajuster les aiguës de -6 à +6. « 0 » signifie une réponse plate.

### Équilibrage

Appuyez sur le contrôleur volume cinq fois, et tournez-le dans ou contre le sens des aiguilles d'une montre pour ajuster l'équilibrage entre les haut-parleurs de droit et de gauche de R12 (haut-parleur de droite) à L12 (haut-parleur de gauche). « C00 » signifie un équilibre parfait.

### Équilibrage avant-arrière

Appuyez sur le contrôleur volume six fois, et tournez-le dans ou contre le sens des aiguilles d'une montre pour ajuster l'équilibrage entre les haut-parleurs d'avant et les haut-parleurs d'arrière entre R12 (haut-parleurs d'arrière) et F12 (haut-parleurs d'avant). « C00 » signifie un équilibre parfait.



### iX-Bass

Appuyez sur **iX-BASS** (5) momentanément pour activer la fonction contour intensité. Lorsque vous écoutez la musique à des niveaux bas de volume, cette fonction augmentera les niveaux bass et aigu pour compenser les caractéristiques de l'ouïe humaine. Lorsque cette fonction est activée, les mots « iX-BASS On » sera affichée momentanément. Appuyez de nouveau sur **iX-BASS** pour choisir « iX-BASS Off ». L'icône d'XBS apparaîtra et demeurera dans l'affichage quand iX-BASS est activé.

### Sélecteur d'égalisateur

La fonction égalisateur applique des effets sonores pré-réglés au signal de sortie audio de l'appareil. Appuyez sur **IEQ5** (6) pour activer l'un des modes d'opération suivants : Pop, Jazz, Classic, Beat, Rock and Off.

Lorsque la fonction égalisateur est activé, les niveaux de bass et d'aigu le plus récemment choisi seront ignorés. Lorsque la fonction égalisateur n'est pas en opération, l'appareil reviendra aux niveaux de bass et d'aigu le plus récemment choisis.

### Affichage à cristaux liquides

L'affichage à cristaux liquides (8) affiche la fréquence, le temps et les fonctions activées de l'appareil, y compris une combinaison niveau audio/indicateur disque, qui apparaît comme des icônes doubles disques avec un vumètre à barre circulaire montrant le signalement audio. En outre l'affichage contient un indicateur de signalement réception qui dépeint la force relative de la fréquence de transmission d'entrée.

**A NOTER :** Les panneaux d'affichage prennent du temps pour afficher lorsqu'ils ont été exposés au froid pendant longtemps. En outre, la visibilité des numéros sur l'affichage à cristaux liquides peut diminuer un peu. L'affichage sera remis à normal lorsque les températures reviendront à des niveaux normaux.

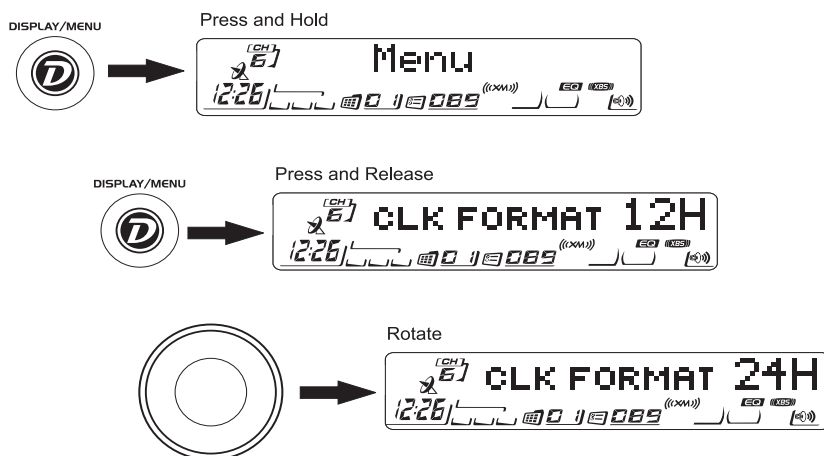
## Options d'affichage

Appuyez sur **DISPLAY/MENU** (7) momentanément pour naviguer à travers les options suivantes :

- Tuner : **FREQ** > Spectrum > PTM Message
- CDP : **Elapsed Time** > Spectrum > PTM Message
- XM mode : **Category Name** > Artist Name > Song Title > Spectrum > PTM Message > Channel Name

## Opération du menu

Une deuxième fonction du **DISPLAY/MENU**, est d'accéder à un menu d'options radio. Appuyez sur **DISPLAY/MENU** pendant plus de trois seconde pour accéder au menu. « Menu » sera affiché momentanément. Naviguez le menu en appuyant sur **DISPLAY/MENU** momentanément pour passer à l'option suivante. Le menu peut aussi être navigué en utilisant les boutons Syntonisateur (10) vers le haut et Syntonisateur (11) vers le bas pour passer à l'option suivante pour précédente.



Lorsque l'option désirée apparaît sur l'affichage, ajustez cette option en tournant le contrôle volume dans cinq secondes. Les options suivantes sont ajustées par la fonction menu.

### Contraste

Le niveau contraste du menu est réglé à « **CONTRAST 05** » par défaut. Tourner le contrôle volume pour ajuster le contraste entre « **00** » et « **10** ».

### Interrupteur à résistance réglée

La fonction interrupteur à résistance réglée est réglée à « **DIMMER High** » par défaut. Tournez le contrôle volume pour régler l'interrupteur à résistance réglée à des réglages bas.

### Défilant XM

Cette option détermine si ou non le texte affiché XM défile d'une manière continue à travers l'écran. Le réglage par défaut est OFF. Sélectionnez ON pour faire défiler le texte affiché d'une manière continue. Lorsqu'il est réglé à off, vous pouvez voir l'information d'affichage en appuyant d'une manière continue sur le bouton **DISPLAY** (7).

**A NOTER :** L'option Défilant XM n'apparaît que lorsqu'une tuner XM est branchée.

### Format horloge

Cette option permet la sélection d'un format horloge de 12 heures ou de 24 heures. « **CLK FORMAT 12H** » est le réglage par défaut. Tournez le contrôle volume pour changer de format horloge à 24h.

### Réglage du temps

Le temps sur l'horloge sera réglé à 12.00 par défaut. Programmez le temps courant en tournant le contrôle volume dans le sens de l'aiguille d'une montre pour ajuster les minutes et contre le sens de l'aiguille d'une montre pour ajuster les heures.

### Le sélectionneur local/a distance

Cette fonction est utilisée pour désigner la force des signalements à laquelle la radio s'arrêtera pendant la syntonisation automatique. « **Distant** » est le défaut qui permet à la radio de s'arrêter à une gamme plus large des signalements. Pour régler l'appareil afin qu'il ne sélectionne que des stations locales fortes pendant la syntonisation automatique, tournez le contrôle volume jusqu'à ce que **Local** n'apparaisse sur l'affichage.

### Espacement des fréquences

Cette option permet la sélection d'un espacement fréquence approprié à votre région. « **AREA U.S.A.** » est l'espacement par défaut. Tournez le contrôle volume pour sélectionner les options « **Latin** », « **Europe** » ou « **Oirt** ».

### Volume mis en marche programmable

Cette option permet la sélection d'un niveau de volume que votre radio assumera automatiquement lorsqu'elle est mise en marche. Pour programmer un niveau de volume spécifique à laquelle la radio se mettra en marche, tournez le contrôle volume pour sélectionner le niveau de volume désiré.

### Tonalité du top sonore

La fonction tonalité du top sonore permet la sélection d'un top sonore audible lorsque les boutons sont appuyés sur la face de la radio. « **BEEP TONE On** » est le réglage par défaut. Tournez le contrôle volume pour sélectionner « **BEEP TONE Off** ».

### Illumination couleur

Cette option permet la sélection entre deux couleurs différentes pour l'illumination. « **COLOR 1** » est le réglage par défaut et illuminera l'appareil d'un rétroéclairage bleu. Tournez le volume pour sélectionner « **COLOR 2** » qui illuminera l'appareil d'un rétroéclairage rouge.

### Affichage horloge sélectionnable

Lorsque la fonction aest activée, l'horloge et la note d'accueil par défaut apparaîtront sur l'affichage lorsque la radio est en arrêt mais branché au fil d'allumage. « **CLK ON LCD On** » sera le réglage par défaut pour cette option. Pour que l'horloge et la note d'accueil ne soient pas affichés lorsque l'appareil n'es pas en marche, tournez le contrôle volume pour sélectionner " **CLK ON LCD Off** ".

### Lumière principale marche/arrêt

Lorsque la lumière principale est allumée (marche) les boutons de pré-réglage et les autres boutons de fonctions du panneau d'avant restent allumés quand l'appareil est éteint mais l'allumage est en marche. Tournez le bouton de volume pour sélectionner Lumière Principale en Arrêt si vous préférez que les boutons ne soient pas allumés lorsque l'appareil est éteint.

### Message texte personnel

La fonction message texte personnel vous permet d'envoyer des messages personnels jusqu'à 20 caractères, en utilisant les lettres A - Z, les numéros 0-9 et les symboles \_ , + , - , et ! . Appuyez sur le contrôle du volume pour accéder à cette option depuis le menu et puis faites tourner le contrôle du volume pour sélectionner le premier caractère de votre message.

Lorsque vous avez choisi votre premier caractère appuyez sur le contrôle du volume pour passer à la prochaine espace et sélectionner le prochain caractère.

### Note d'accueil

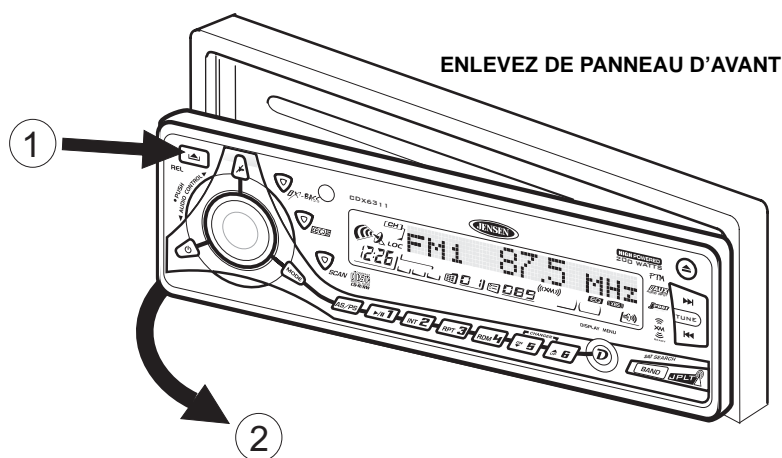
Lorsque l'appareil est en marche, une de ces trois salutations sera affichée selon l'heure du jour : Good Morning, Good Afternoon or Good Evening. Lorsque l'appareil est en arrêt, mais l'allumage reste en marche, l'affichage à cristaux liquides va défiler à travers les messages suivants si la fonction affichage horloge sélectionnable est activée : Radio Off, Visit us at Jensen.com, Enjoy Driving and Have a Safe Trip.

### Relâchement du panneau d'avant

Le bouton du relâchement du panneau (9) d'avant relâche le mécanisme qui tient le panneau d'avant au châssis.

### Détacher le panneau d'avant

Pour détacher le panneau d'avant appuyez sur le bouton de relâchement du panneau d'avant. Ceci relâchera la partie gauche du panneau. Tenez la partie relâchée dans vos mains et tirez-la du châssis. Lorsque le panneau d'avant est enlevé, vous devez le déposer dans sa caisse pour le protéger de la poussière et d'autres accidents nuisibles.

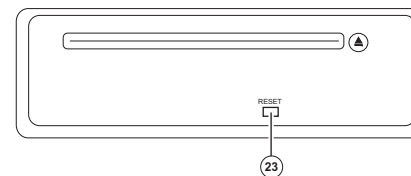


### Rattachement du panneau d'avant

Pour rattacher le panneau, assurez-vous qu'il n'y a pas de poussière ou des ordures sur les terminaux électriques derrière le panneau. Ceci peut provoquer des opérations intermittentes et d'autres mauvais fonctionnements. Positionner la partie droite du panneau en place pour qu'elle soit bien engagée et puis appuyez légèrement sur la partie gauche jusqu'à ce que le mécanisme soit bien verrouillé et en place.

### Le bouton de réglage

Le bouton de réglage (RESET, 23) est situé au devant du châssis et ne peut être accédé que lorsque le panneau d'avant a été enlevé. La circuiterie de réglage protège la circuiterie du microprocesseur. Puisque le réglage de l'appareil effacera toute la mémoire du temps et du pré-réglage, il ne doit être activé que lors de l'installation initiale et après que le câblage ait été terminé ou s'il y a une malfonction dans les interrupteurs de l'appareil. Dans ces circonstances, le bouton de réglage peut aider à nettoyer le système et retourner l'appareil à un fonctionnement normal.



## FONCTIONNEMENT DE LA RADIO

Le MP6211 vient équipé d'un tuner du monde, permettant à vous de recevoir des canaux aux Etats-Unis, à l'EUROPE, au LATIN, et à l'OIRT (Russie). Voyez « Espacement des fréquences » à la page 40 pour apprendre comment changer les options Tuner Mondial.

### Sélection de la bande

Appuyez sur le bouton **BAND** (19) pour faire passer la radio des trois bandes MF aux deux bandes MA. Chaque bande peut comprendre jusqu'à six stations programmées.

### Sélection d'une station

#### Mode manuel

Appuyez sur le bouton à accorder vers le haut ou vers le bas (10 ou 11) pendant au moins trois secondes pour passer au numéro de fréquence suivant ou précédent.

#### Mode recherche

Appuyez sur le bouton à accorder vers le haut ou vers le bas (10 ou 11) pendant moins trois secondes avant de le relâcher pour passer automatiquement à la station suivante.

### Balayage

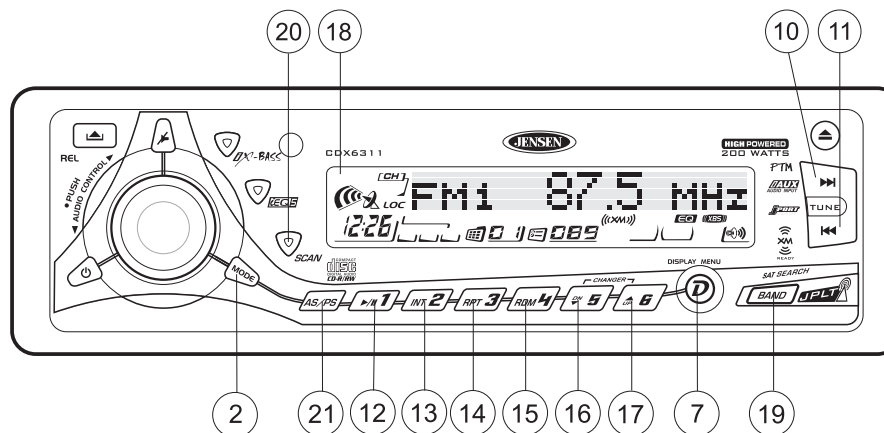
Appuyez sur **SCAN** (20) pour balayer les stations suffisamment puissante de la bande choisie. La radio fait une pause de cinq secondes à chaque station. Appuyez de nouveau sur **SCAN** pour écouter la station diffusée.

### Stations programmées

Vous pouvez programmer jusqu'à six stations pour les rappeler sur chaque bande.

#### Mémorisation d'une station

Sélectionnez une bande (au besoin) et sélectionnez une station. Appuyez et maintenez enfoncé un bouton de mémorisation (12-17) pendant trois secondes. Un chiffre préétabli apparaît à l'affichage.



#### Rappel d'une station

Sélectionnez une bande (au besoin). Appuyez sur un bouton de mémorisation (12-17) pour sélectionner la station mémorisée.

### Mémorisation automatique / Balayage programmé

#### Mémorisation automatique de stations

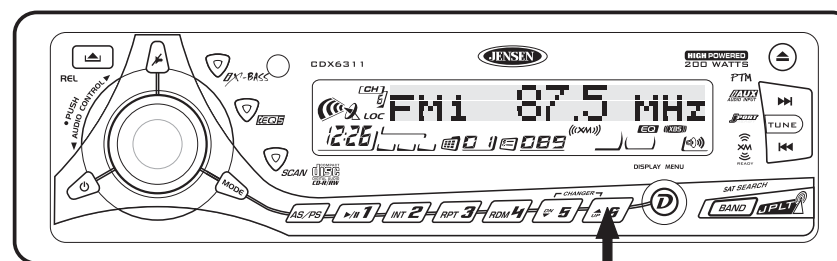
Sélectionnez six stations pour les mémoriser dans la bande affichée. Sélectionnez une bande (au besoin). Appuyez sur **AS/PS** (21) et maintenez-le enfoncé pendant plus de trois secondes. Les nouvelles stations remplacent les stations mémorisées pour cette bande.

#### Balayage programmé

Balayage des stations mémorisées pour la bande affichée. Sélectionnez une bande (au besoin). Appuyez sur le bouton **AS/PS** (21) pendant moins de trois secondes. La radio fait une pause de cinq secondes à chaque station. Appuyez de nouveau sur le bouton **AS/PS** pour mettre fin au balayage lorsque vous avez atteint la station désirée.

### Stereo

L'unité prendra automatiquement un signal stéréo, quand disponible. Quand en mode stéréo, l'icône de rue (18) apparaît dans l'affichage. Quand aucun signal stéréo n'est disponible, l'unité retournera automatiquement à l'opération mono, et aucune icône ne sera montrée.



Le numéro prééglé apparaîtra



Appuyez et maintenez

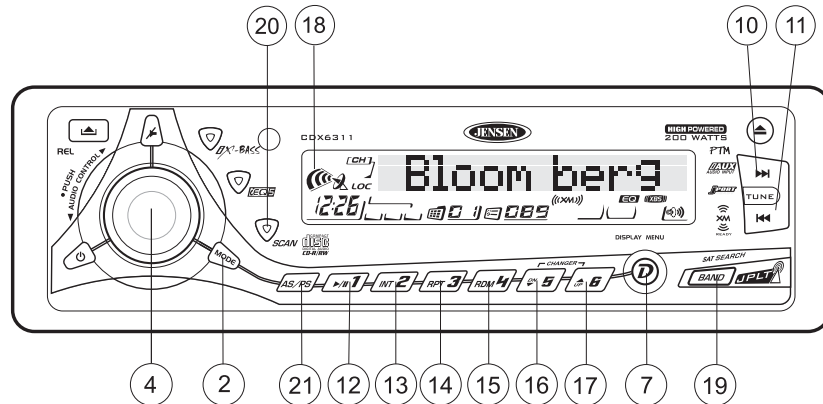


## FONCTIONNEMENT DE LA RADIO XM®

Les auditeurs peuvent adhérer à la radio XM® sur le Web, en visitant [www.xmradio.com](http://www.xmradio.com) ou en appelant (800) 967-2346. Les clients doivent avoir leur identité radio prête (voir « Affichage du code d'identification »). Les clients peuvent recevoir un certain nombre de chaînes libre transmission sans activation.

### Accéder à la mode radio XM

Pour changer à la mode radio XM®, appuyez sur le bouton **MODE** (2) jusqu'à ce « XM RADIO » apparaisse à l'affichage.



### Affichage du code de identification

Avant de pouvoir écouter votre radio XM®, vous devez adhérer au service en utilisant votre numéro d'identification de votre radio. Pour afficher l'identification de la radio, appuyez sur le bouton **DOWN TUNING** (|<<) (11) pour accéder à la chaîne 000. L'écran affiche " Identification de la radio " , suivi par un numéro à 8 chiffres.

### Sélection d'une station

Appuyez sur le bouton **UP TUNING** (>>|) ou **DOWN TUNING** (|<<) (10 and 11) pour changer la station.

### Des stations préréglées

Appuyez sur **BAND** (19) pour changer entre trois bandes de la radio XM®. Chaque bande garde en mémoire jusqu'à six stations préréglées. Vous pouvez mettre en mémoire et rappeler un total de 18 stations préréglées.

#### Mettre une station en mémoire

1. Sélectionnez une bande (si nécessaire) et puis sélectionnez une station.
2. Appuyez sur un bouton de préréglage (12-17) pendant trois secondes. Le numéro préréglé s'affichera.

#### Rappeler une station

1. Sélectionnez une bande (si nécessaire).
2. Appuyez sur un bouton préréglé (12-17) pour sélectionner la station sauvegardée correspondante.

#### Balayage préréglé

1. Appuyez sur **AS/PS** (21) pendant trois secondes. La machine s'arrête pendant 5 secondes à chaque station préréglée pour toutes les trois bandes (XM-1, XM-2 et XM-3).

2. Appuyez de nouveau sur **AS/PS** pour arrêter le balayage lorsque la station désirée a été atteinte.

### Mode tuner

Appuyez sur le bouton **DISPLAY** (7) pour changer la mode tuner aux options suivantes dans l'ordre listé :

- Nom de la chaîne
- Genre (Informations, Sports, les hits, gosses)
- Nom de l'artiste
- Titre de la chanson
- Indicateur Visuel de 11 Barres
- PTM (Message Animé)

#### Information affichée

Si le nom de chaîne, l'artiste ou le titre de la chanson contiennent plus de 8 caractères, l'information affichée se déroulera deux fois après sélection.

#### Mode catégorie

Pour sélectionner des stations dans une catégorie spécifique, performez les étapes suivantes :

1. Appuyez et maintenez l'appui sur le bouton **BAND** (19) jusqu'à ce que Direct-T apparaisse.
2. Appuyez de nouveau sur **BAND** pour afficher CATEGORY.
3. Tournez l'enclencheur rotatif pour vous déplacer à travers les catégories disponibles.
4. Appuyez sur le bouton **ENTER** (enclencheur rotatif) pour sélectionner la catégorie affichée.
5. Dès que la catégorie est sélectionnée, tournez l'enclencheur rotatif pour sélectionner les stations dans la catégorie courante.
6. Appuyez sur le bouton **ENTER** (enclencheur rotatif) pour sélectionner la station affichée.

Pour changer une catégorie lorsque vous êtes en mode catégorie, appuyez sur le bouton **AS/PS**. CATEGORY va clignoter dans l'affichage, vous permettant d'utiliser les boutons 5 ou 6 pour sélectionner une catégorie différente.

#### Mode de syntonisation directe

Pour entrer une station directement, performez les étapes suivantes :

1. Appuyez et maintenez l'appui sur le bouton **BAND** (19) jusqu'à ce que Direct-T apparaisse
2. Tournez l'enclencheur rotatif pour afficher XM CH 0 -
3. Tournez l'enclencheur rotatif de nouveau pour sélectionner le premier chiffre de la chaîne que vous voulez syntoniser (0, 1 ou 2)
4. Appuyez sur le bouton **ENTER** (enclencheur rotatif) pour entrer le premier chiffre et vous déplacer jusqu'à la deuxième position.
5. Tournez l'enclencheur rotatif pour sélectionner le deuxième chiffre de la chaîne que vous voulez syntoniser (0 à 9).
6. Appuyez sur le bouton **ENTER** (enclencheur rotatif) pour entrer le deuxième chiffre et vous déplacer jusqu'à la troisième position.

**A NOTER : Utilisez les boutons UP TUNING (>>|) ou DOWN TUNING (|<<) (10 et 11) pour vous déplacer entre la première et la troisième position.**

7. Tournez l'enclencheur rotatif pour sélectionner le troisième chiffre de la chaîne que vous voulez syntoniser (0 à 9)
8. Appuyez sur le bouton **ENTER** (enclencheur rotatif) pour entrer le troisième chiffre et accéder à la chaîne.

**A NOTER : Si la chaîne n'est pas autorisée ou est invalide, CH Unavail apparaît sur l'affichage à cristaux liquides et retourne à l'interface d'entrée après 2 secondes.**

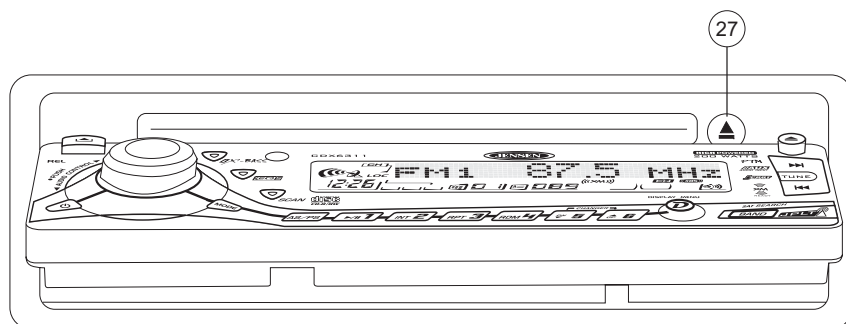
## FONCTIONNEMENT DU LECTEUR CD

### Insérer le CD

Appuyez sur le bouton d'éjection (22) et le panneau avant glissera vers le bas pour montrer la fente de disque. Avec les revêtements de surface d'étiquette vers le haut, insérez entièrement un disque compact dans la fente jusqu'à ce que le mécanisme engage et tire le disque dedans. Après insertion d'un disque, enfoncez et levez le long du rebord inférieur du panneau avant pour pousser le panneau avant de nouveau dans la position fermée.

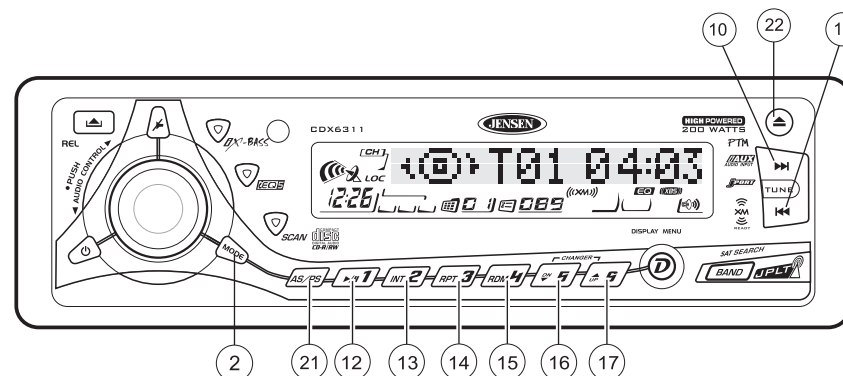
### Ejecter le CD

Appuyez sur le bouton d'éjection (22) et le panneau avant glissera vers le bas pour montrer la fente de disque.



Serrez la seconde éjectent le bouton (27) pour arrêter le jeu de CD et pour éjecter le disque. L'unité changera en tuner, commutateur de CD ou XM l'opération, selon laquelle le mode était en fonction avant le jeu de disque. Si le disque n'est pas enlevé à partir de l'unité dans 15 secondes, le disque sera rechargé pour empêcher des dommages accidentels.

**A NOTER : L'appareil a été dessiné pour ne prendre que des disques compacts de taille standardisée de 5 pouces. N'essayez pas d'utiliser les disque de 3 pouces, avec ou sans adaptateur, parce que ceci peut nuire à l'appareil. Ces dégâts ne sont pas couverts par le garanti qui vient avec ce produit.**



### Pause

Appuyez sur pause (12) pour cesser la lecture du CD.

### Saut de plage

Appuyez sur le bouton de syntonisation hausse ou baisse (10 ou 11) pendant moins d'une seconde pour avancer sur le CD à la piste suivante. Les numéros des pistes sont affichés. Tenez enfoncé le bouton de syntonisation hausse ou baisse (10 ou 11) pendant plus d'une seconde pour avancer ou reculer rapidement. La lecture de CD commence dès que vous relâchez le bouton.

### Balayage (SCN)

Appuyez sur le bouton **SCN** (13) pour faire jouer les dix premières secondes de chaque plage du CD. Appuyez de nouveau sur **SCN** pour écouter la pièce musicale.

### Répétition (RPT)

Appuyez sur **RPT** (14) pour jouer la même plage. Appuyez de nouveau sur **RPT** pour annuler la fonction.

### Lecture aléatoire (RDM)

Appuyez sur le bouton **RDM** (15) pour écouter toutes les plages du CD, de façon aléatoire, une à la fois. Appuyez de nouveau sur le bouton **RDM** pour annuler la fonction.

### Montrez l'information de CD

Appuyez sur le bouton **AS/PS** (21) pour montrez le texte codé sur le CD (titre de chanson, artiste, etc.).

### Codes d'erreur de la platine disque

S'il y a un problème lorsque vous opérez la platine disque, un code erreur (ER-1, ER-2, etc) peut apparaître sur le panneau d'affichage. Cela peut indiquer un certain nombre d'erreurs dans l'appareil telle qu'une erreur mécanique ou une erreur dans le contrôle microprocesseur de l'appareil. Au cas où un code erreur apparaîtrait, essayez d'éjecter le disque et le recharger sur la platine. Lorsque le disque est hors de l'appareil, assurez-vous qu'il est propre, sans dégâts et chargé correctement. Si cela ne résout pas le problème, appuyez sur le bouton de réglage. Cela peut aider et il peut aussi effacer l'heure et les autres pré-réglages de l'appareil. Si les mesures suggérées ne résolvent pas le problème, prenez contact avec une station garanti proche de vous ou service à la clientèle de contact à 1-800-323-4815 pour aide supplémentaire.



## OPÉRATION DE CHANGEUR DE CD

Veillez appeler le soutien technique Jensen à 1-800-323-4815 pour une liste complète de changeurs CD compatible avec cet appareil. Les changeurs CD Jensen suivants sont compatibles avec cet appareil : JCD10RF et CH1001.

Après que le changeur CD ait été installé et correctement branché, appuyez sur le bouton de réinitialisation (11) pour initialiser l'installation. Référez-vous au guide du propriétaire fourni avec le changeur CD pour des instructions concernant l'installation, le chargement et l'utilisation du magasin CD.

### Mode changeur de CD

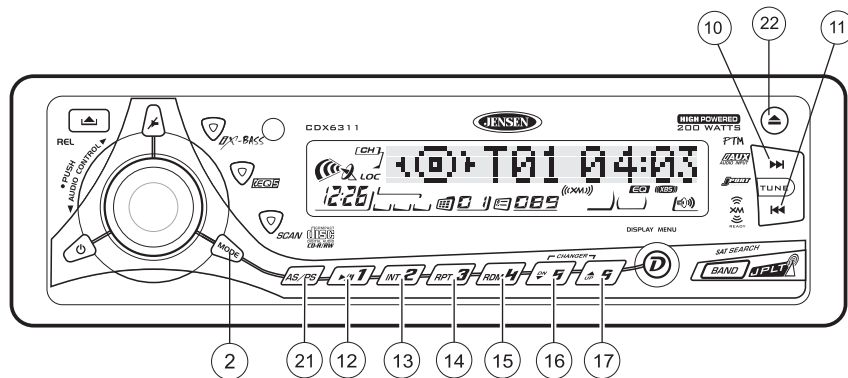
Appuyez sur **MODE** (2) pendant une opération radio ou CD pour sélectionner le mode changeur de CD. Le disque va commencer à jouer et le disque et le numéro de piste vont être affichés. Si un nouveau magazine a été chargé sur le changeur, le disque va commencer à jouer à partir de la première piste du premier disque. Si un magazine était déjà dans le changeur, l'appareil reviendra à la piste du disque le plus récemment joué.

### Sélection du disque

Pour sélectionner le disque voulu, utilisez **UP** (17) pour avance jusqu'au numéro du disque plus haut et utiliser **DN** (16) pour revenir un numéro plus bas. Le numéro du disque qui est en train de jouer apparaîtra sur l'affichage.

### D'autres fonctions

Les fonctions Pause, Répétition, Lecture aléatoire, Balayage et Saut de plage pendant l'opération du changeur de CD peuvent être accédées de la même manière que pour une opération CD platine. Voyez la section sur l'opération de platine CD pour avoir plus de détails.



### Codes d'erreur de commutateur de CD

Si les problèmes surgissent pendant l'opération de commutateur de CD, les codes d'erreur suivants peuvent apparaître dans l'affichage :

- ER-1: Aucun magasin chargé dans le commutateur de CD.
- ER-2: Problème dans la fonction de chargement de disque.
- ER-3: Erreur dans la fonction de chargement de disque.
- ER-4: Erreur dans la fonction de déchargement de disque.
- ER-5: Erreur en position de magasin.
- ER-6: Erreur en position de collecte de laser.
- ER-7: Erreur au foyer de laser sur le disque.

Pour résoudre quels des problèmes ci-dessus, essayez d'éjecter le magasin du commutateur et s'assurant que les disques sont propres, intacts et chargés correctement. Appuyer sur le bouton de remise peut aider, mais ceci effacera le temps et préréglera des mémoires. Si les mesures suggérées ne résolvent pas le problème, entrez en contact avec une station approuvée de garantie près de vous pour davantage d'aide.

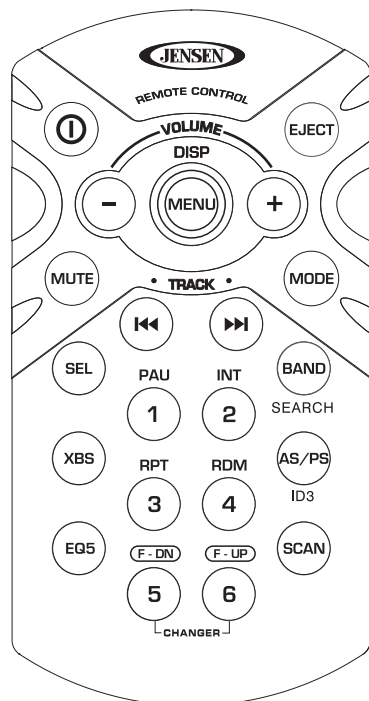
## OPÉRATION JPORT

Après que le jPORT ait été installé et branché appuyez sur le bouton Reset pour initialiser l'installation. Le jPORT peut être utilisé pour contrôler votre iPod ou un changeur CD facultatif. Référez-vous au guide du propriétaire fourni avec le jPORT pour des instructions concernant l'opération de votre jPORT.

## PRÊT À ÊTRE TÉLÉCOMMANDÉ

La télécommande vous permet de contrôler les fonctions de base du CDX6311.

La sonde de télécommande est à la droite supérieure du bouton de **IX-BASS** (5).



## SOIN ET ENTRETIEN

### Soins pour la platine CD

Les principes suivants vous permettront de prolonger la vie de votre platine CD.

1. Lors de nettoyage de l'intérieur du véhicule, prenez soin à ce que vous ne mouillez pas l'appareil avec de l'eau ou des fluides nettoyants.
2. La platine CD ne fonctionnera pas bien quand il fait une chaleur ou un froid extrême ou quand il fait trop humide. Dans ces circonstances, attendez jusqu'à la température à l'intérieur du véhicule redevient normale ou jusqu'à ce que la condensation sur les lentilles de platine CD ait évaporé avant d'utiliser la platine.
3. N'insérez que des CDs de taille standardisée de cinq pouces. Tout autre taille utilisée même avec un adaptateur peut causer des dégâts non couverts par le garanti.
4. Retirez le CD lorsque vous n'utilisez pas la platine disque.
5. L'unité est conçue avec un mécanisme de CD de réduction de vibration pour réduire au minimum l'interruption du jeu de disque due à la vibration normale dans un véhicule mobile. En conduisant sur les routes inégales, cependant, les sauts sains occasionnels peuvent se produire. Ceci ne rayera pas ou n'endommagera pas le disque, et le jeu normal reprendra.

### Information disque

#### CD-R/CD-RW

Un certain CD-R/RW's peut être incompatible avec cette unité. **La session erecording doit être fermée.** Veuillez se référer à vos procédures recommandées par software's pour la fermeture un disque. Passez en revue votre logiciel d'enregistrement pour se familiariser avec les procédures correctes d'enregistrement. Nous recommandons d'employer les dernières versions logiciel de ROXIO TM ou de NERO TM d'enregistrement.

**Cette unité identifiera seulement le format de CDDA (acoustique de Digital de disque compact). Elle ne soutient pas le MP3, le WMA, le WAV, l'OGG ou d'autres formats.** Le format de CDDA est le format standard d'un magasin original acheté CD. En enregistrant un CD-R/RW assurez-vous que le format de CDDA est choisi.

#### Soin et manipulation des CDs

De la poussière, des ordures, des égratignures et des torsions peuvent provoquer des sauts dans la reproduction et amener une détérioration dans la qualité du son. Suivez les instructions suivantes pour prendre soin de vos disques.

1. Essuyez des empreintes digitales, de la poussière et des saletés de la surface du disque avec un chiffon doux. Essuyez dans un mouvement droit depuis l'intérieur jusqu'à l'extérieur du disque.
2. N'utilisez jamais de produits chimiques ou de vaporisateurs de disques ou bien même des nettoyants domestiques pour nettoyer vos CDs. Ces substances peuvent causer des dégâts irréparables à la surface du disque.
3. Mettez les disques dans leur étui lorsque vous ne les utilisez pas.
4. N'exposez pas vos disques au soleil, à des températures haute ou à une humidité excessive pendant des périodes longues.
5. **Ne collez pas de papier, de bandes ou d'étiquettes de CD sur la surface du disque, comme interne les dommages peuvent se produire.**

## DÉPANNAGE

Problème	Cause	Mesure à Prendre
L'appareil ne fonctionne pas (l'affichage ne s'allume pas)	Aucune alimentation au fil jaune Aucune alimentation au fil rouge	Vérifiez la connexion et les fusibles au moyen de l'ampoule d'essai.
	Fusible grillé	Remplacez le fusible.
Les haut-parleurs ne fonctionnent pas (l'affichage s'allume normalement)	Les fils des haut-parleurs ne sont pas raccordés	Raccordez les fils des haut-parleurs. Vérifiez les fils des haut-parleurs.
Les haut-parleurs ne fonctionnent pas tous	Épissures ou connexions incorrectes	Vérifiez toutes les épissures et les connexions.
	Court-circuit entre les fils du haut-parleur et le châssis ou entre deux fils de haut-parleur	Vérifiez les épissures, isolez tous les fils dénudés.
Fusibles grillés	Court-circuit entre le fil d'alimentation et la mise à la terre	Assurez-vous que le fil n'est pas pincé.
	Court-circuit entre les fils des haut-parleurs et la mise à la terre	Assurez-vous que le fil n'est pas pincé.
	Fusible incorrect résistance insuffisante	Installez un fusible de type et de puissance appropriés.
Le CD saute continuellement	Récepteur pas fixé solidement ou bande de fixation mal fixée	Vérifiez l'installation et la bande de fixation, puis solidifiez au besoin.

## SPECIFICATIONS



### Estimations de puissance de CEA

Rendement de puissance . . . . . 16 watts RMS X 4 canaux a 4-ohms @ < 1% THD+N  
 Rapport signal/bruit . . . . . 70dBA au-dessous de la référence. (Référence: 1 watt, 4-ohms)  
 Puissance dynamique . . . . . 76 watts @ de 4-ohms, tous les canaux conduits  
 Réponse de fréquence . . . 20Hz - 20kHz (-3dB), Entrée auxiliaire utilisée comme référence  
 Tension d'alimentation de référence . . . . . 14.4VDC

### Lecteur CD

Rapport signal/bruit . . . . . >90dBA  
 Réponse de fréquence . . . . . 20Hz - 20kHz, - 3dB  
 Séparation de canal . . . . . >55dB @ 1KHz  
 Convertisseur D/A . . . . . 1Bit/Ch

### Récepteur MF

Gamme de fréquences . . . . . 87.5MHz - 107.9MHz  
 Sensibilité MF mono . . . . . 12dBf  
 Sensibilité 50 dB (stéréo) . . . . . 16dBf  
 Séparation stéréo à 1 KHz . . . . . >30dB  
 Réponse de fréquence . . . . . 30Hz to 14kHz, - 3dB

### Récepteur MA

Gamme de fréquences . . . . . 530kHz - 1720kHz  
 Sensibilité MA . . . . . 30uV  
 Réponse de fréquence . . . . . 50Hz - 2kHz, - 3dB

### Auxiliary Input

Sensibilité d'entrée . . . . . 400mV RMS pour 1 watt RMS a 4-ohms  
 Réponse de fréquence . . . . . 20Hz - 20kHz, -3dB  
 Impédance d'entrée . . . . . 10k-ohms

### Généralités

Alimentation . . . . . 11 - 16 VDC, mise à la terre négative  
 Fusibles . . . . . fusion rapide de type ATO (15 amp)  
 Harnais de câblage . . . . . 20-goupilles, rapides pour débrancher  
 Dimensions . . . . . 2" x 7" x 7" (51mm x 178mm x 178mm)

Ces caractéristiques peuvent être modifiées sans préavis.

## GARANTIE LIMITÉE DE 12 MOIS

AUDIOVOX CORPORATION (la Société) garantit à l'acheteur initial du produit que si tout ou partie de ce produit, en cours d'utilisation et sous des conditions normales, venait à présenter des vices de matière primitive ou des défauts de fabrication, dans les 12 mois suivant la date d'achat initial, ce(s) défaut(s) sera(seront) réparé(s) ou remplacé(s) par un produit neuf ou reconditionné (au choix de la Société), sans frais de pièces ni de main-d'oeuvre. Si ce produit doit être réparé ou remplacé durant la période de la Garantie, entrez en contact avec svp Jensen au numéro de téléphone fourni ci-dessous.

Cette Garantie ne couvre pas l'élimination des parasites ou des bruits générés par le moteur, la correction des problèmes d'antenne, les frais encourus pour l'installation, le retrait ou la réinstallation du produit, ni les dommages causés aux cassettes, disques compacts, accessoires ou au système électrique du véhicule. Cette Garantie ne s'applique pas aux produits ou aux parties constituantes qui, de l'avis de la Compagnie, ont été endommagés par suite de modification, d'installation incorrecte, de mauvaise manipulation, d'utilisation abusive, de négligence, d'accident, ou encore du retrait ou du griffonnage des inscriptions ou de l'étiquette code à barres/numéro de série installé en usine. SELON LES TERMES DE CETTE GARANTIE, LA RESPONSABILITE DE LA SOCIETE EST LIMITEE A LA REPARATION OU AU REMPLACEMENT, TEL(LE) QU'IL(ELLE) EST STIPULE(E) CI-DESSUS ET, EN AUCUN CAS, LA RESPONSABILITE DE LA SOCIETE NE POURRA EXCEDER LE PRIX D'ACHAT PAYE PAR L'ACHETEUR DU PRODUIT.

Cette Garantie remplace toute autre garantie expresse ou responsabilité. TOUTE GARANTIE TACITE, COMPRENANT TOUTE GARANTIE DE QUALITE LOYALE ET MARCHANDE, EST LIMITEE A LA DUREE DE CETTE GARANTIE ECRITE. TOUTE ACTION POUR RUPTURE DE TOUTE GARANTIE, SELON LES TERMES DE LA PRESENTE, COMPRENANT TOUTE GARANTIE IMPLICITE DE QUALITE LOYALE ET MARCHANDE, DOIT ETRE INTENTEE DANS LES 12 MOIS A COMPTER DE LA DATE D'ACHAT INITIAL. EN AUCUN CAS LA SOCIETE NE SERA RESPONSABLE DE TOUT DOMMAGE INDIRECT OU FORTUIT POUR RUPTURE DE CETTE GARANTIE OU DE TOUTE AUTRE GARANTIE, EXPRESSE OU IMPLICITE, DE QUELLE QUE NATURE QUE CE SOIT. Aucune personne ni aucun représentant n'est autorisé(e) à assumer, au nom de la Société, d'autre responsabilité que celle exprimée dans la présente, et se rapportant à la vente de ce produit.

Certains Etats n'autorise pas les restrictions relatives à la durée d'application des garanties implicites ni l'exclusion ou la limitation des dommages indirects ou fortuits. Dans ces Etats, de telles limitations ou exclusions ne s'appliquent donc pas. Cette Garantie vous donne des droits juridiques spécifiques et vous pouvez également jouir d'autres droits, suivant l'Etat dans lequel vous vivez.

U.S.A : 1-800-323-4815

CANADA: Composez le 1-800-323-4815 connaitre l'adresse du poste de garantie de votre région.



Audiovox Electronics Corporation  
Hauppauge, NY 11788  
Technical Assistance: 1-800-323-4815  
[www.jensen.com](http://www.jensen.com)

© 2006 Audiovox  
Ver. 060506  
Imprimé en Chine

## Free Manuals Download Website

<http://myh66.com>

<http://usermanuals.us>

<http://www.somanuals.com>

<http://www.4manuals.cc>

<http://www.manual-lib.com>

<http://www.404manual.com>

<http://www.luxmanual.com>

<http://aubethermostatmanual.com>

Golf course search by state

<http://golfingnear.com>

Email search by domain

<http://emailbydomain.com>

Auto manuals search

<http://auto.somanuals.com>

TV manuals search

<http://tv.somanuals.com>