

JET[®]

WMH TOOL GROUP

Operating Instructions and Parts Manual 10" Table Saw

Stock Numbers: 708315BTA, -BTB, -BTC, -LSA, -LSB



708315BTA Table Saw shown

WMH TOOL GROUP

2420 Vantage Drive
Elgin, Illinois 60123
Ph.: 800-274-6848
www.wmhtoolgroup.com

ESPAGÑOL – PÁGINA 41

Part No. M-708315
Revision D 08/05
Copyright © WMH Tool Group

This manual has been prepared for the owner and operators of a 708315 Table Saw. Its purpose, aside from machine operation, is to promote safety through the use of accepted correct operating and maintenance procedures. Completely read the safety and maintenance instructions before operating or servicing the machine. To obtain maximum life and efficiency from your JET Table Saw, and to aid in using the machine safely, read this manual thoroughly and follow instructions carefully.

Warranty

WMH Tool Group warrants every product it sells. If one of our tools needs service or repair, one of our Authorized Repair Stations located throughout the United States can give you quick service.

In most cases, any one of these WMH Tool Group Repair Stations can authorize warranty repair, assist you in obtaining parts, or perform routine maintenance and major repair on your JET, Wilton, or Powermatic tools.

For the name of an Authorized Repair Station in your area, please call 1-800-274-6848, or visit www.wmhtoolgroup.com

More Information

WMH Tool Group is consistently adding new products to the line. For complete, up-to-date product information, check with your local WMH Tool Group distributor, or visit www.wmhtoolgroup.com

WMH Tool Group Warranty

WMH Tool Group (including JET, Wilton and Powermatic brands) makes every effort to assure that its products meet high quality and durability standards and warrants to the original retail consumer/purchaser of our products that each product be free from defects in materials and workmanship as follow: 1 YEAR LIMITED WARRANTY ON ALL PRODUCTS UNLESS SPECIFIED OTHERWISE. This Warranty does not apply to defects due directly or indirectly to misuse, abuse, negligence or accidents, normal wear-and-tear, repair or alterations outside our facilities, or to a lack of maintenance.

WMH TOOL GROUP LIMITS ALL IMPLIED WARRANTIES TO THE PERIOD SPECIFIED ABOVE, FROM THE DATE THE PRODUCT WAS PURCHASED AT RETAIL. EXCEPT AS STATED HEREIN, ANY IMPLIED WARRANTIES OR MERCHANTABILITY AND FITNESS ARE EXCLUDED. SOME STATES DO NOT ALLOW LIMITATIONS ON HOW LONG THE IMPLIED WARRANTY LASTS, SO THE ABOVE LIMITATION MAY NOT APPLY TO YOU. WMH TOOL GROUP SHALL IN NO EVENT BE LIABLE FOR DEATH, INJURIES TO PERSONS OR PROPERTY, OR FOR INCIDENTAL, CONTINGENT, SPECIAL, OR CONSEQUENTIAL DAMAGES ARISING FROM THE USE OF OUR PRODUCTS. SOME STATES DO NOT ALLOW THE EXCLUSION OR LIMITATION OF INCIDENTAL OR CONSEQUENTIAL DAMAGES, SO THE ABOVE LIMITATION OR EXCLUSION MAY NOT APPLY TO YOU.

To take advantage of this warranty, the product or part must be returned for examination, postage prepaid, to an Authorized Repair Station designated by our office. Proof of purchase date and an explanation of the complaint must accompany the merchandise. If our inspection discloses a defect, we will either repair or replace the product, or refund the purchase price if we cannot readily and quickly provide a repair or replacement, if you are willing to accept a refund. We will return repaired product or replacement at WMH Tool Group's expense, but if it is determined there is no defect, or that the defect resulted from causes not within the scope of WMH Tool Group's warranty, then the user must bear the cost of storing and returning the product. This warranty gives you specific legal rights; you may also have other rights, which vary from state to state.

WMH Tool Group sells through distributors only. WMH Tool Group reserves the right to effect at any time, without prior notice, those alterations to parts, fittings, and accessory equipment, which they may deem necessary for any reason whatsoever.

Table of Contents

Warranty.....	2
Warnings.....	4
Kickback Prevention.....	6
Protection Tips from Kickback.....	6
Specifications.....	7
Definitions and Terminology.....	7
Shipping Contents.....	8
Contents of the Shipping Cartons.....	8
Tool Required (Not Included).....	8
Assembly.....	10
Where to Begin.....	10
Leg Assembly.....	10
Mounting the Shelf.....	11
Rubber Feet.....	11
Installing the Blade Guard and Splitter.....	12
Aligning the Blade Guard and Splitter.....	12
Saw Blade.....	13
Attaching the Rip Fence.....	13
Calibrating the Rip Fence Scale.....	13
Stamped Steel Extension Wing.....	14
Sliding Extension Wing.....	15
Left Scale Extension.....	16
Right Scale Extension.....	16
Optional Left Table Support.....	17
Handwheel Handle.....	17
Adjustments.....	18
90 Degree Positive Stop.....	18
Scale Calibration.....	18
Adjusting Blade Parallel to Miter Gauge Slots.....	19
Replacing the Blade.....	19
Replacing/Adjusting the Drive Belt.....	20
Miter Gauge Operation.....	21
Electrical Connections.....	21
Operating Controls.....	21
Dust Shroud.....	11
45 Degree Positive Stop.....	18
Operations.....	22
Table Saws.....	22
Kickbacks.....	22
Rip Sawing.....	23
Crosscutting.....	24
Bevel and Miter Operations.....	25
Dust Collection.....	25
Safety Devices.....	26
Feather Board.....	26
Push Stick.....	26
Filler Piece.....	26
Maintenance.....	26
Cleaning.....	26
Lubrication.....	27
Miscellaneous.....	27
Troubleshooting.....	27
Parts.....	27
Ordering Replacement Parts.....	27

Warnings

1. Read and understand the entire owner's manual before attempting assembly or operation.
2. Read and understand the warnings posted on the machine and in this manual. Failure to comply with all of these warnings may cause serious injury.
3. Replace the warning labels if they become obscured or removed.
4. This Table Saw is designed and intended for use by properly trained and experienced personnel only. If you are not familiar with the proper and safe operation of a Table Saw, do not use until proper training and knowledge have been obtained.
5. Do not use this Table Saw for other than its intended use. If used for other purposes, WMH Tool Group disclaims any real or implied warranty and holds itself harmless from any injury that may result from that use.
6. Always wear approved safety glasses/face shields while using this Table Saw. Everyday eyeglasses only have impact resistant lenses; they are not safety glasses.
7. Before operating this Table Saw, remove tie, rings, watches and other jewelry, and roll sleeves up past the elbows. Remove all loose clothing and confine long hair. Non-slip footwear or anti-skid floor strips are recommended. Do **not** wear gloves.
8. Always use the blade guard on all "through-sawing" operations. A through-sawing operation is one in which the blade cuts completely through the workpiece.
9. Kickback occurs when the workpiece is thrown towards the operator at a high rate of speed. If you do not have a clear understanding of kickback and how it occurs, **DO NOT** operate this table saw!
10. Wear ear protectors (plugs or muffs) during extended periods of operation.
11. Some dust created by power sanding, sawing, grinding, drilling and other construction activities contain chemicals known to cause cancer, birth defects or other reproductive harm. Some examples of these chemicals are:
 - Lead from lead based paint.
 - Crystalline silica from bricks, cement and other masonry products.
 - Arsenic and chromium from chemically treated lumber.
12. Your risk of exposure varies, depending on how often you do this type of work. To reduce your exposure to these chemicals, work in a well-ventilated area and work with approved safety equipment, such as face or dust masks that are specifically designed to filter out microscopic particles.
13. Do not operate this machine while tired or under the influence of drugs, alcohol or any medication.
14. Make certain the switch is in the **OFF** position before connecting the machine to the power supply.
15. Make certain the machine is properly grounded.
16. Make all machine adjustments or maintenance with the machine unplugged from the power source.
17. Remove adjusting keys and wrenches. Form a habit of checking to see that keys and adjusting wrenches are removed from the machine before turning it on.
18. Keep safety guards in place at all times when the machine is in use. If removed for maintenance purposes, use extreme caution and replace the guards immediately.
19. Make sure the Table Saw is firmly secured to the floor or bench before use.
20. Check damaged parts. Before further use of the machine, a guard or other part that is damaged should be carefully checked to determine that it will operate properly and perform its intended function. Check for alignment of moving parts, binding of moving parts, breakage of parts, mounting and any other conditions that may affect its operation. A guard or other part that is damaged should be properly repaired or replaced.

Warnings

21. Provide for adequate space surrounding work area and non-glare, overhead lighting.
22. Keep the floor around the machine clean and free of scrap material, oil and grease.
23. Keep visitors a safe distance from the work area. **Keep children away.**
24. Make your workshop child proof with padlocks, master switches or by removing starter keys.
25. Give your work undivided attention. Looking around, carrying on a conversation and “horse-play” are careless acts that can result in serious injury.
26. Maintain a balanced stance at all times so that you do not fall into the blade or other moving parts. Do not overreach or use excessive force to perform any machine operation.
27. Use the right tool at the correct speed and feed rate. Do not force a tool or attachment to do a job for which it was not designed. The right tool will do the job better and safer.
28. Use recommended accessories; improper accessories may be hazardous.
29. Maintain tools with care. Keep saw blades sharp and clean for the best and safest performance. Follow instructions for lubricating and changing accessories.
30. Turn off the machine before cleaning. Use a brush or compressed air to remove chips or debris — do not use your hands.
31. Do not stand on the machine. Serious injury could occur if the machine tips over.
32. Never leave the machine running unattended. Turn the power off and do not leave the machine until it comes to a complete stop.
33. Remove loose items and unnecessary work pieces from the area before starting the machine.

Familiarize yourself with the following safety notices used in this manual:

CAUTION This means that if precautions are not heeded, it may result in minor injury and/or possible machine damage.

WARNING This means that if precautions are not heeded, it may result in serious injury or possibly even death.

⚠WARNING

The most common accidents among table saw users, according to statistics, can be linked to kickback, the high-speed expulsion of material from the table that can strike the operator. Kickback can also result in operator's hands being pulled into the blade.

Kickback Prevention

Tips to avoid the most common causes of kickback:

- Make sure the blade splitter is always aligned with the blade. A workpiece can bind or stop the flow of the cut if the blade splitter is misaligned and result in kickback.
- Use the blade splitter during every cut. The blade splitter maintains the kerf in the workpiece, which will reduce the chance of kickback.
- Never attempt freehand cuts. The workpiece must be fed perfectly parallel with the blade, otherwise kickback will likely occur. Always use the rip fence or crosscut fence to support the workpiece.
- Make sure that the rip fence is parallel with the blade. If not, the chances of kickback are very high. Take the time to check and adjust the rip fence.
- Feed cuts through to completion. Anytime you stop feeding a workpiece that is in the middle of a cut, the chance of binding, resulting in kickback, is greatly increased.

Protection Tips from Kickback

Kickback can happen even if precautions are taken to prevent it. Listed below are some tips to *always follow* to protect you if kickback DOES occur:

- Stand to the side of the blade when cutting. An ejected workpiece usually travels directly in front of the blade.
- Wear safety glasses or a face shield. Your eyes and face are the most vulnerable part of your body.
- Never place your hand behind the blade. If kickback occurs, your hand will be pulled into the blade.
- Use a push stick to keep your hands farther away from the moving blade. If a kickback occurs, the push stick will most likely take the damage that your hand would have received.

⚠WARNING

Read and understand the entire contents of this manual before attempting assembly or operation! Failure to comply may cause serious injury!

The specifications in this manual are given as general information and are not binding. WMH Tool Group reserves the right to effect, at any time and without prior notice, changes or alterations to parts, fittings, and accessory equipment deemed necessary for any reason whatsoever.

Specifications

Stock Numbers.....	708315BTA, -BTB, -BTC, -LSA, -LSB
Saw Blade Diameter	10"
Arbor Diameter	5/8"
Blade Tilt	left, 90 – 45°
Maximum Cutting Depth at 90°	3"
Maximum Cutting Depth at 45°	2-1/2"
Dado Capacity.....	1/2"
Table Height (with Stand).....	35"
Main Table Size	28"W x 18"D
Extension Size (Aluminum).....	5 1/2"W x 18"D
Extension Size (Sheet Metal).....	8"W x 18"D
Blade Speed (no load)	5000 RPM
Motor	120VAC, 60Hz
Gross Weight (BTA).....	57 lbs.
Net Weight (BTA).....	50 lbs.

Definitions and Terminology

Arbor: Metal shaft that connects the drive mechanism to the blade.

Bevel Edge Cut: Tilt of the saw arbor and blade between 0° and 45° to perform an angled cutting operation.

Blade Guard: Mechanism mounted over the saw blade to prevent accidental contact with the cutting edge.

Crosscut: Sawing operation in which the miter gauge is used to cut across the grain of the workpiece.

Dado Blade: Blade(s) used for cutting grooves and rabbets.

Dado Cut: Flat bottomed groove in the face of the workpiece made with a dado blade.

Featherboard: Device used to keep a board against the rip fence or table that allows the operator to keep hands away from the saw blade.

Kerf: The resulting cut or gap made by a saw blade.

Kickback: An event in which the workpiece is lifted up and thrown back toward an operator, caused when a work piece binds on the saw blade or between the saw blade and rip fence (or other fixed object). To minimize or prevent injury from kickbacks, see the *Operating Instructions* section.

Miter Gauge: A component that controls the workpiece movement while performing a crosscut of various angles.

Non-Through Cut: A sawing operation that requires the removal of the blade guard splitter,

resulting in a cut that does not protrude through the top of the workpiece (includes Dado and rabbet cuts).

The blade guard and splitter must be re-installed after performing a non-through cut to avoid accidental contact with the saw blade during operation.

Parallel: Position of the rip fence equal in distance at every point to the side face of the saw blade.

Perpendicular: 90° (right angle) intersection or position of the vertical and horizontal planes such as the position of the saw blade (vertical) to the table surface (horizontal).

Push Board/Push Stick: An instrument used to safely push the workpiece through the cutting operation.

Rabbet: A cutting operation that creates an L-shaped channel along the edge of the board.

Rip Cut: A cut made along the grain of the workpiece.

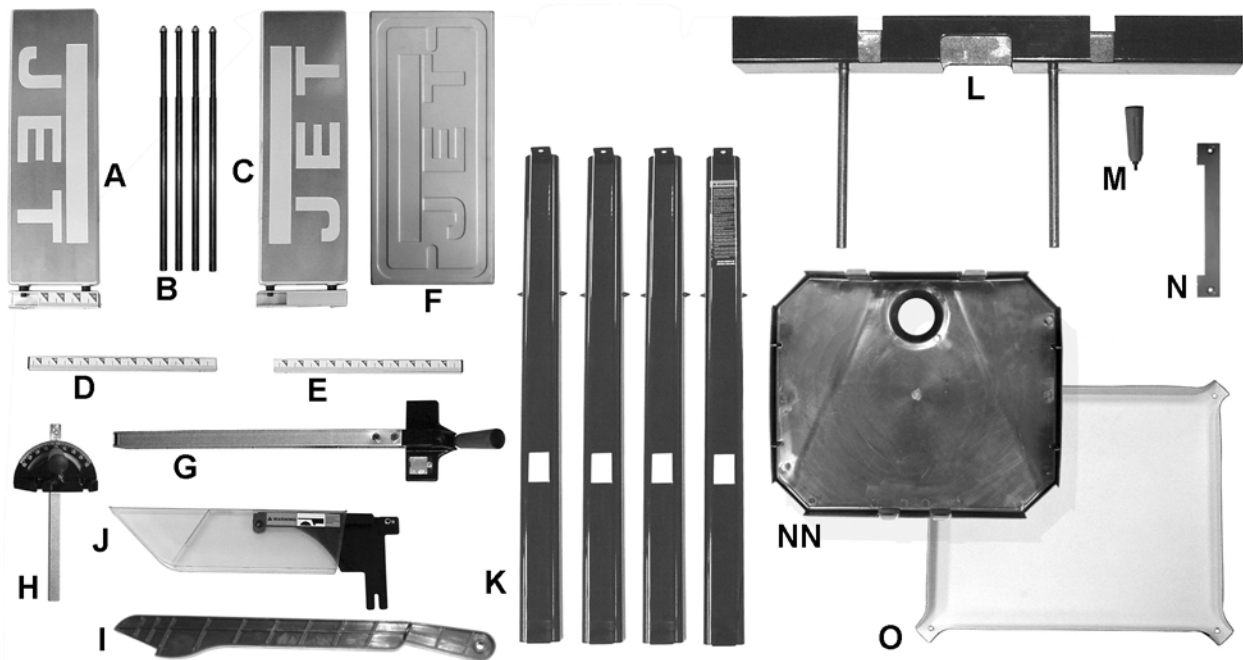
Splitter: Metal plate to which the blade guard is attached that maintains the kerf opening in the workpiece when performing a cutting operation.

Standard Kerf: 1/8" gap made with a standard blade.

Straightedge: A tool used to check that a surface is flat or parallel.

Through Sawing: A sawing operation in which the workpiece thickness is completely sawn through. Proper blade height usually allows a 1/8" of the top of the blade to extend above the wood stock.

Shipping Contents



Contents of the Table Saw Carton

Contents of the Shipping Cartons

The contents that are contained in the shipping carton are determined by the *model* of your purchase which is determined by the *three letter suffix* following the stock number, which is 708315.

Remove all contents from the shipping carton. Keep the saw table upside down. Do not discard the carton or packing material until the saw is assembled and is running satisfactorily.

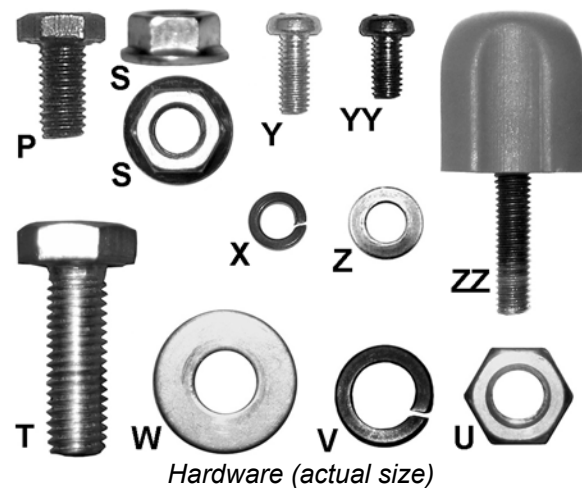
Important: Packing material is placed inside the saw to provide support for the motor during shipping and *must be removed*.

Compare the contents of the shipping carton against the *Contents Table* (following page) for your particular model. The *Index No.* in the table corresponds to the items shown above and this is your key for identifying each part.

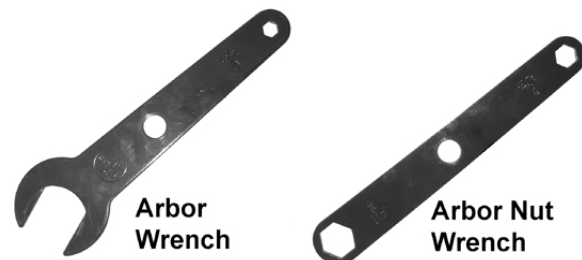
Tool Required (Not Included)

- ❑ 5mm hex wrench (1 ea)
- ❑ 6mm hex wrench (1 ea)
- ❑ 14mm wrenches (2 ea)
- ❑ 10 mm wrenches (2 ea) or 10mm wrench *and* socket (1 ea)

- ❑ Cross-point Screwdriver (1 ea)



Hardware (actual size)



Blade Removal Tools

Shipping Contents

Index No.	Part No.	Description	Quantity				
			BTA	BTB	BTC	LSA	LSB
--		Table Saw	1	1	1	1	1
A	708315-LEA	Left Extension Wing Assy					1
B	708315-105	Extension Rod			2	2	4
C	708315-REA	Right Extension Wing Assy			1	1	1
D		Left Scale Extension					1
E		Right Scale Extension			1	1	1
F	708315-113	Stamped Steel Extension Wing		1			
G	708315-RFA	Rip Fence	1	1	1	1	1
H	708315-MGA	Miter Gauge	1	1	1	1	1
I	708818	Push Stick	1	1	1	1	1
J	708315-BGA	Blade Guard Assembly	1	1	1	1	1
K	708315-111	Leg				4	4
L	708315-RSA	Rear Support Assembly		1	1	1	1
M	708315-150	Handle	1	1	1	1	1
N	708315-121A	Dado Insert	1	1	1	1	1
NN	708315-159	Dust Shroud					1
O	708315-112	Shelf				1	1
P	TS-1482021	M6x12 Hex Cap Screw				12	12
S	708315-158	M6 Hex Flange Nut				16	16
T	TS-1490041	M8x25 Hex Cap Screw		2			
U	TS-1540061	M8 Hex Nut		2			
V	TS-2361081	M8 Lock Washer		2			
W	TS-1550061	M8 Flat Washer		2			
X	TS-1551021	M4 Lock Washer			2	2	4
Y	TS-1532032	M4x10 Pan Head Screw			2	2	4
YY	TS-2284082	M4x8 Pan Head Screw			1	1	2
Z	TS-1550021	M4 Flat Washer			2	2	4
ZZ	708315-134	Lock Knob	6	4	6	6	6
	708315-140	Arbor Wrench	1	1	1	1	1
	708315-139	Arbor Nut Wrench	1	1	1	1	1

Contents Table

Assembly

⚠WARNING Do not plug the table saw into the power source until all assembly has been completed! Failure to comply may cause serious injury!

Where to Begin

Each assembly section will start by listing the applicable model(s) for that assembly procedure. The starting point for *your particular* model, however, is as follows:

Models LSA, LSB: start with *Leg Assembly* below.

Models BTA, BTB, BTC: start with *Installing the Blade Guard and Splitter* on page 12.

Leg Assembly

Models LSA, LSB

Follow these *Leg Assembly* instructions if you plan to use your saw as a floor model. If this saw is to be used for bench top applications, skip this section and proceed to the *Extension Table* section.

Tools required – 10mm socket and wrench

Referring to Figures 1 and 2:

Required hardware (for each leg): two M6x12 hex cap screws (C) and three M6 flange hex nuts (F).

1. With the saw upside down on the floor, remove the four rubber feet (A) from each corner of the base.
2. Take one leg (B) and position it so the *outside tab* (G), containing the mounting hole, is towards the bottom.
3. Mount one leg to a corner of the saw base so the hole in the *outside tab* (G) lines up with the screw (H) and the two holes on the leg's *inside tab* (J) rests on top of the *base tabs* (K) with the mounting holes lined up.

Note: The leg with the **WARNING** label must be mounted on the corner of the saw base that also has the **WARNING** label.

4. Insert two *hex cap screws* (C) through the mounting holes of the *leg tab* (J) and *base tab* (K). Secure with *flange hex nuts* (F₁). Hand-tighten only.

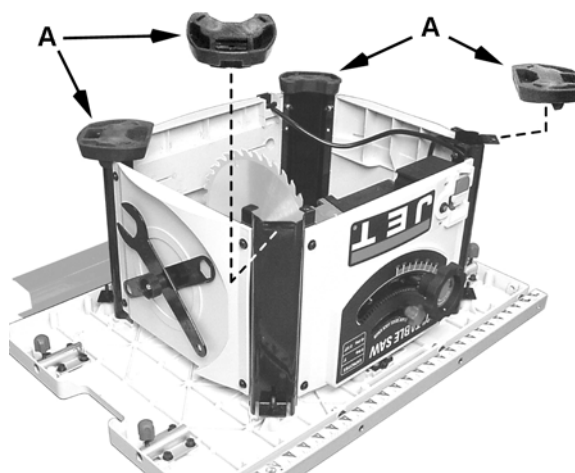


Figure 1

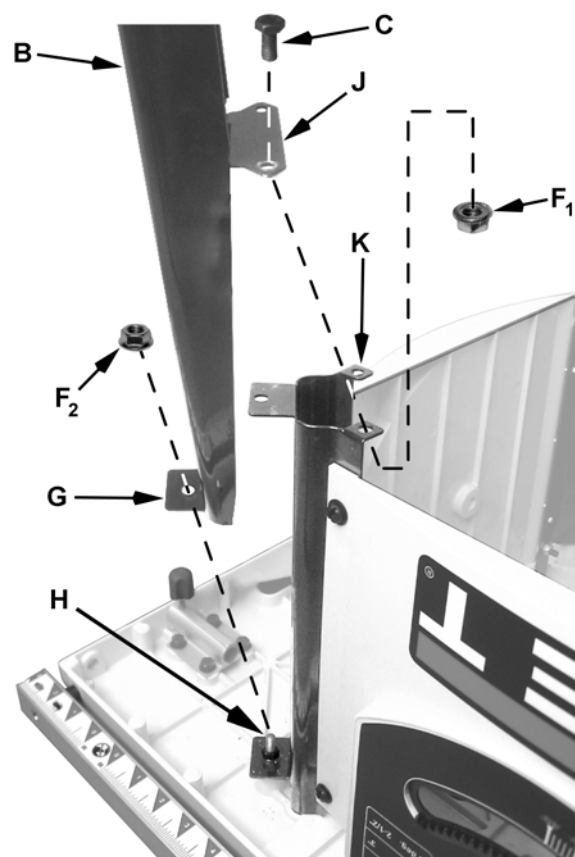


Figure 2

5. Secure the leg's *outside tab* (G) to the screw (H) on the base with a *flange hex nut* (F₂). Hand-tighten only.

Mount two more legs in the same manner described in steps 1–5. *Don't mount the last leg until the shelf is installed* as described in the next section.

Mounting the Shelf

Models LSA, LSB

Note: The shelf is easier to install when three legs have been assembled. The fourth leg should be assembled *after* this section is completed.

Required hardware (for assembling all four legs):
four M6 *flange hex nuts* (J).

Referring to Figure 3:

1. While the saw is still upside down, position the *shelf* (A) between the three *legs* (B) and below the legs' *mounting tabs* (D). The *sides* of the shelf (D) should point down.
2. Bring the shelf up, positioning the *tabs* of shelf (E) against the bottom of the *mounting tabs* on the legs (C), and line up the mounting holes.
3. From underneath the shelf, insert a *hex cap screw* (F) up through the mounting holes of the shelf and leg tabs. Secure the threaded portion of the screw protruding through the top side of the leg mounting tab with a *flange hex nut* (J), hand-tightening only at this time.

After the shelf is secured to all three legs, assemble the final leg (described in previous section) and then finish by securing the remaining shelf tab to the leg as well.

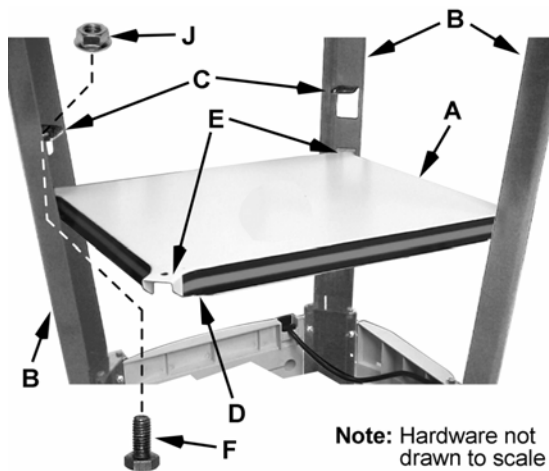


Figure 3

Rubber Feet

Models LSA, LSB

Referring to Figure 4:

While the saw is still upside down,

1. Place *rubber foot* (B) on the *leg* (A), sliding forward (1) while at the same time allowing the rear *tab* (C) of the leg to slide through the *opening* (D) in the heel of the rubber foot.

2. Press the foot down (2) until the foot "snaps" into position on the leg.
3. Repeat for remaining three legs.

At this time, turn the saw right side up. Place on a level surface and tighten all screws for the leg and shelf assembly.

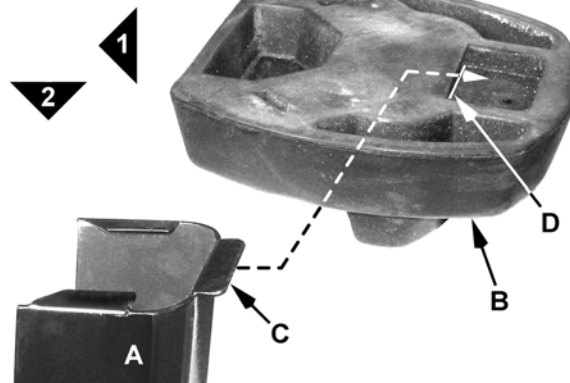


Figure 4

Dust Shroud

Model LSB only

Note: Install the dust shroud only if a separate dust collection or vacuum system will be used.

Referring to Figure 5:

1. Place the *dust shroud* (A) inside the legs with the *port* (B) towards the rear of the saw and positioned down as shown.
2. Bring the front end of the shroud up so the two *front tabs* (C) catch the lip (D) of the base, securing it in position. The opening at the corners of the shroud (E) should wrap around the leg *tabs* (F).
3. Press the back of the shroud up until the rear tabs snap into place against lip at the back of the base.

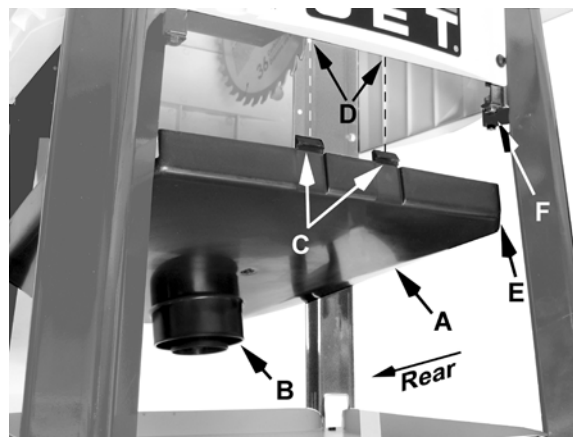


Figure 5

Installing the Blade Guard and Splitter

All models

Referring to Figure 6:

If your table saw came with a *back support* (C), the *blade guard/splitter* installation and alignment will be facilitated by loosening and sliding the back support away from the table.

1. Loosen the *hex nut* (G) on the *splitter support bracket* (E) to provide sufficient clearance for the *blade guard and splitter assembly* (next step).
2. Take the *blade guard and splitter assembly* and slide the *tab* of the splitter (B and F) on the screw of the *splitter support bracket* (E) between the *flat washer* (D) and *bracket* (E).
3. Tighten the hex nut (G) enough to hold the blade guard and splitter assembly in place.

Adjustment will be required and is described in the *Adjustment* section (see *Aligning the Blade Guard and Splitter*).

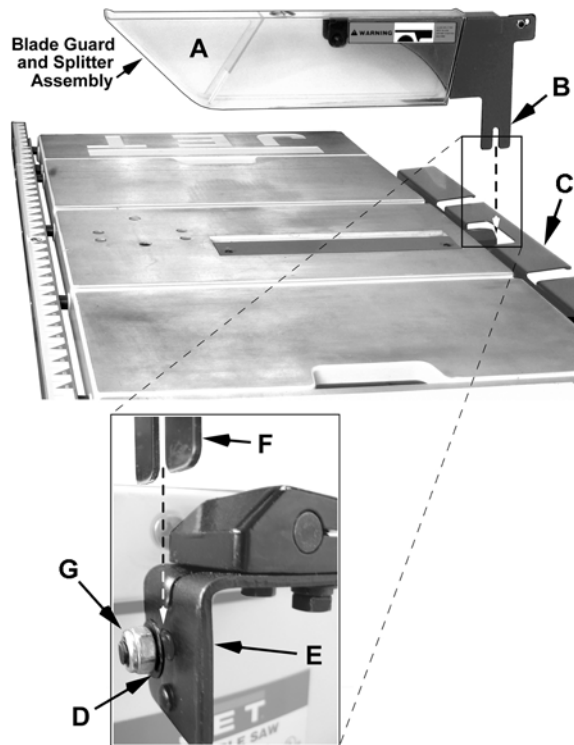


Figure 6

Aligning the Blade Guard and Splitter

All models

Referring to Figures 7 and 8:

1. Raise the *blade guard* (B) away from the table.
2. Set a straight edge (E), against the *saw blade* (F) on the right side as shown. The *anti-kick pawl* (D) needs to be lifted momentarily until the straight edge is placed in position.
Note: The straight edge needs to rest against the body of the saw blade and not the saw teeth.
3. With a 10mm wrench, loosen two *hex cap screws* (H) securing the *splitter bracket* (G) and adjust the *splitter* (C) sideways until alignment with the *saw blade* (F) is achieved.
4. Tighten the *hex cap screws* (H).

Make sure the *splitter* (C) is level with the table and approximately 1/8" above the table. A 1/8" space allows the blade guard assembly to tilt to a 45° angle without contacting the table.

If the splitter level needs adjustment:

5. With two 10mm wrenches, loosen the *nut and screw* (J) assembly, adjust the *splitter* (C) to 1/8" above the table. Tighten the hardware.

Use a square to verify that the splitter is perpendicular to the table surface and adjust if required.

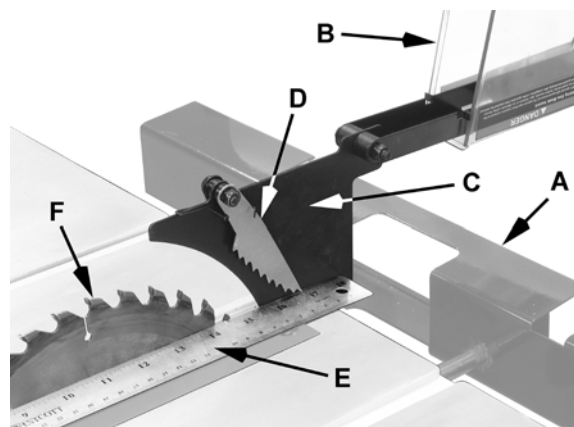


Figure 7

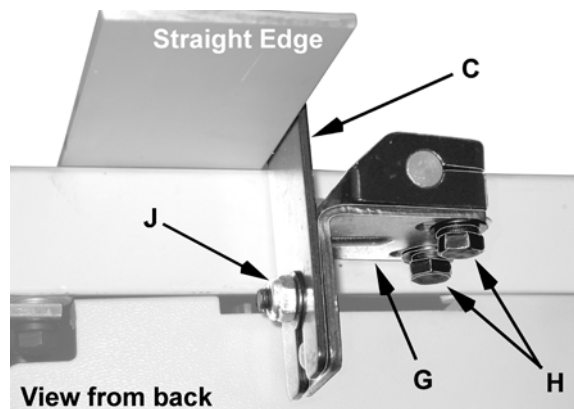


Figure 8

Saw Blade

All Models

The 708315 Table Saw comes with the saw blade already included and installed from the factory. To replace a blade, see *Replacing the Blade* in the *Adjustments* section.

Attaching the Rip Fence

All Models

Referring to Figure 9:

1. Raise the rip fence *handle* (A) as shown.
2. Position the *rip fence* (B) over the *table* (C) as shown, holding up the front end while engaging the *holding clamp* (D) to the rear, then lowering the *front end* (E) onto the *rail* (F).
3. Lower the *handle* (A) to clamp the fence to the table

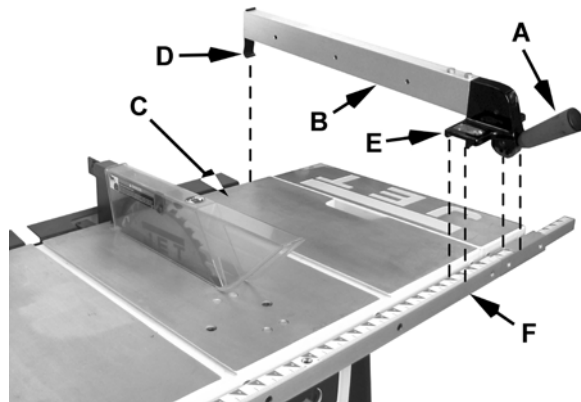


Figure 9

Calibrating the Rip Fence Scale

All Models

1. Attach the *rip fence* to the *table* (as described in the previous section) to the right of the *saw blade*, but do not lower the *handle* to clamp the fence to the table.
2. Slide the *fence* against the *saw blade*.
You will need to raise the *blade guard* and the *anti-kick pawl* to provide clearance for the fence.
3. With the fence snug against the saw blade, clamp the fence in position by lowering the handle.

Referring to Figure 10:

The hairline on the *indicator* (A) should line up with 0" on the *rail* (C). If they do not line up:

4. Slightly loosen the *screw* (B).
5. Slide the indicator until the hairline lines up with 0" on the rail.
6. Tighten the screw.

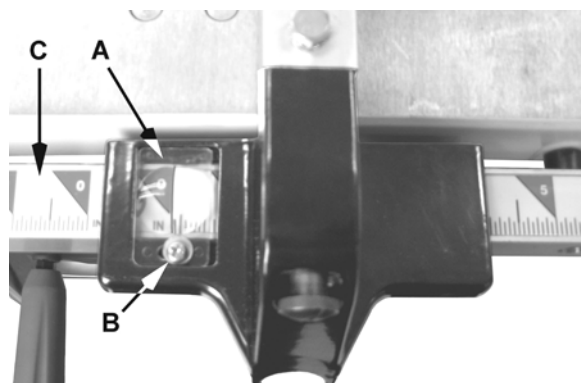


Figure 10

Stamped Steel Extension Wing

Model BTB – the extension wing should look like (A) in Figure 11

The stamped steel extension wing can be mounted on the right or left side of the saw table. The following steps illustrate the right side.

Installation

Referring to Figures 11 and 12:

1. Place the *stamped steel extension wing* (A) against the right side of the *saw table* (B) so that the mounting holes line up.
2. Place two each M8 *lock washers* (D) and *flat washers* (E) on M8 *hex cap screws* (C).
3. Insert the screws through the mounting holes of the *extension wing* (A) and *table* (B).
4. Secure with two M8 *hex nuts* (F) but leave the assembly loose enough so that the wing can be moved by hand for adjustment.

Adjustment

5. Place a *straight edge* across the *table* and *extension wing* near the front as shown in Figure 12.
6. Raise or lower the extension wing until the straight edge lies flat across the table and wing.
7. Move the straight edge so it lies across the table and wing *towards the back* (A).
8. Repeat Step 6.
9. When the extension wing is in line with the table at the front and rear, tighten the screws (C) and hex nuts (F) with two 14mm wrenches.

Repositioning the Front Rail

Refer to Figure 13.

After the stamped steel extension wing is installed, the *front rail* needs to be repositioned to accommodate the fence when it is positioned over the extension wing. This is done as follows:

Item F, Fig. 13 shows the initial position of the front rail.

1. Using a 5mm hex wrench and a 10mm open end wrench, completely remove the screw, spacer and lock nut (shown in the inset) that secure the rail from the two left and far right mounting holes (A), (B), and (D).

Note: Do not remove mounting hardware from the third mounting hole (C).

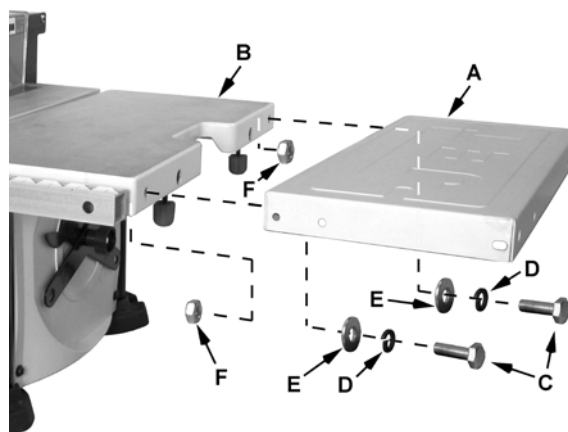


Figure 11

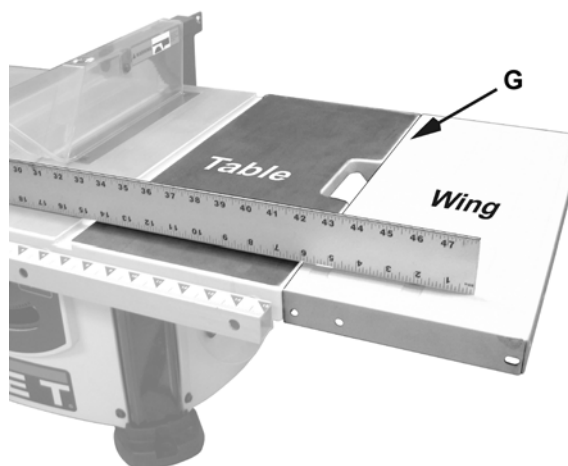


Figure 12

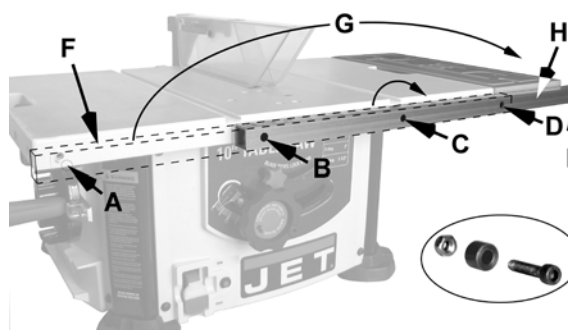


Figure 13

2. Rotate the front rail clockwise (G) until the *left end* becomes the *right end* in front of the extension wing.
3. Reassemble the three screws, spacers and lock nuts securing the front rail.

The screws are inserted through the front of the rail, the spacers are positioned between the rail and table (or extension), and the lock washers are fastened to the screw from behind the lip of the table (or extension).

Sliding Extension Wing

*Right Wing used on Models BTC, LSA and LSB
Left Wing used on Model LSB*

Assembly (if required)

Refer to Figure 14.

For saws using the *sliding extension wings*, two *extension rods* (C) need to be assembled before mounting to the table. Assembly for the *right extension wing* (A), identified by no rule on the rail (J), is described below. Assembly for the left wing is the same.

1. Using two 10mm wrenches, remove the *lock nut* (B) from the *extension rods* (C and D).
2. Turn the *extension wing* (A) over so the JET logo lays face down and the *mounting holes* and *tabs* (F,K) are visible.
3. Insert the rods (D) through the mounting holes on the extension wing (F) and tab (K)
The threaded end of the *rod* (D) should protrude through the hole in the *tab* (K).
4. Place *hex nuts* (G) on the threaded ends of the *extension rods* (D), leaving loose enough to rotate the rods by hand.
5. Rotate the extension rods so that the *threaded holes*, located near the ends away from the extension table, are *in line* with the top of the extension table.
6. Secure the extension rods with two 10mm wrenches, placing one wrench on the hex nut and the other on the flat indents of the rod.
7. Repeat the above steps for the *left extension wing* for models that include it.

Mounting the Right Extension Wing Assembly

Models BTC, LSA and LSB – the right extension wing looks like A in Figure 15

Referring to Figure 15:

1. Select the *right extension table* (A), which is identified by *no scale* on the *guide rail* (B).
2. Mount the extension table by sliding the extension rods into the mounting holes (C) on the right side of the saw table. The *lock knobs* (D) may need to be loosened.
3. From the bottom of the table, thread an M4x8 *pan head screw* (G) into the hole near the end of the *rear extension rod* (E₃). This is the rod closest to the *rear extension* (F₁ and F₂).
4. Tighten the *lock knobs* (D).

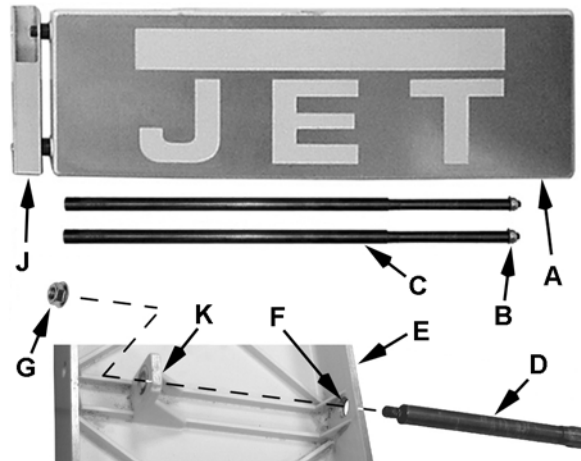


Figure 14

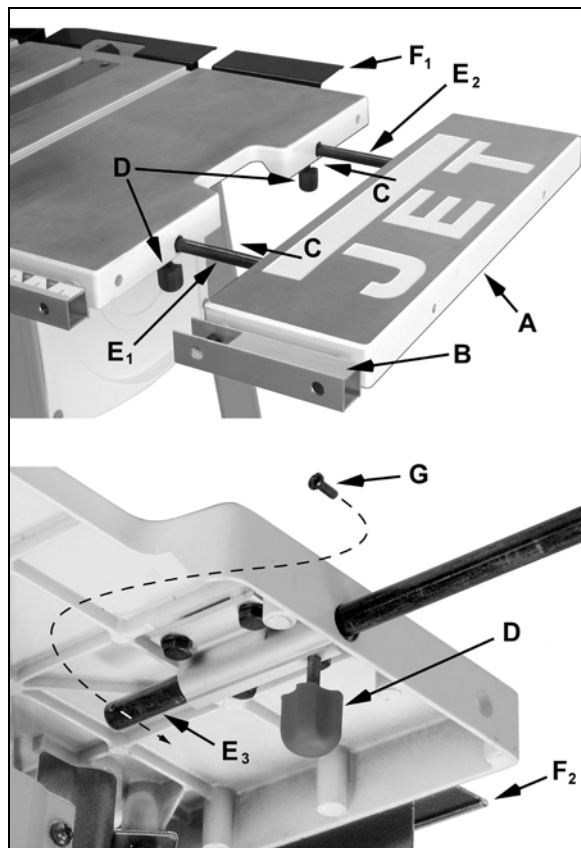


Figure 15

Mounting the Left Extension Wing Assembly

Model LSB only

The *left extension table*, identified by the *scale* (B, Fig. 16) on the rail, is used only with *model LSB*. The assembly and mounting procedure is the same manner as for the right extension wing (above).

Left Scale Extension

Model LSB only

Referring to Figures 16:

1. If necessary, loosen the extension table lock knobs and slide the *extension table* (D) flush against the *saw table* (E).
2. Take the *left rail extension* (A) identified by scale range 11"–21" and insert into the *left extension table guide rail* (B), sliding it all the way through and into the *table guide rail* (C).
3. View from underneath and adjust until the two holes in the *rail extension* (A) and *table rail* (C) are aligned.
4. Insert two each M4x10 *pan head screws* (J), M4 *lock washers* (K) and M4 *flat washers* (L) to hold the extension rail in place, but leave loose enough to permit adjustment (following steps).
5. Place a *scale* or *yardstick* (F) across the extension table and saw table.
6. Align the 11" mark on the ruler (G_1) with the 11" mark on the guide rail (G_2) and hold ruler firmly in place while performing the next step.
7. Adjust the *rail extension* (A) until the 18" mark (H_1) is aligned with the 18" mark on the ruler (H_2). Release the ruler while making sure the rail extension does not move.

The *left rail extension* is now properly calibrated. While holding it in place:

8. Tighten the two screws (K).

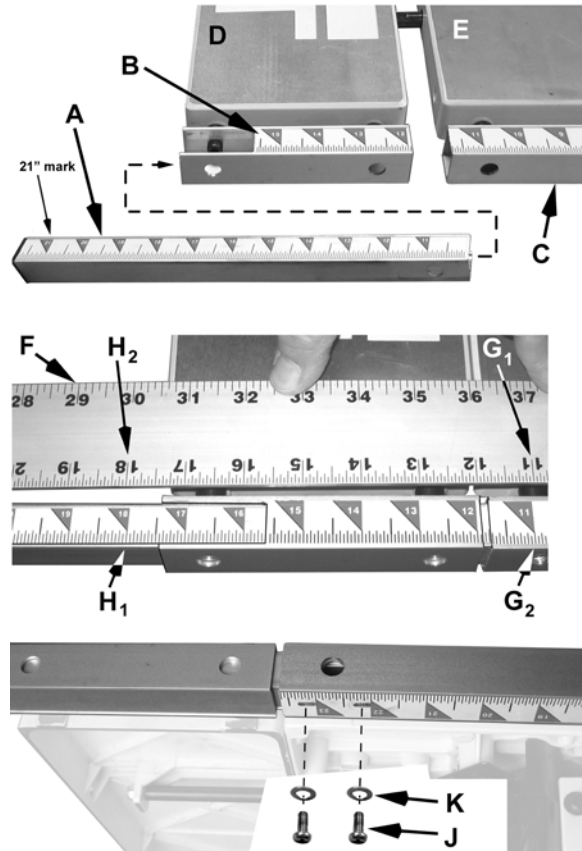


Figure 16

Right Scale Extension

Models BTC, LSA and LSB

The assembly steps are the same as for the Left Scale Extension. For the alignment, use 14" and 21" as the calibration marks.

Optional Left Table Support

Models BTB, BTC and LSA

Referring to Figure 17:

Table saw models BTB, BTC and LSA do not come with a left extension table. However the *rear support assembly* (A) can be removed and used as a left table support if needed. To do this:

1. Loosen two lock knobs underneath the back of the table that secure the *rear support assembly* (A).
2. Remove the rear support assembly by sliding it back (B).
3. Turn the assembly over so that the *flat side* of the rail is on top (C) and the *two notches* (D) are on the bottom.
4. Loosen the two *lock knobs* (E) located on the left side of the table.
5. Install the rear support assembly by inserting the extension rods into the two mounting holes on the left side of the table (F). Remember that the notches (D) are on the bottom.
7. Tighten the lock knobs.

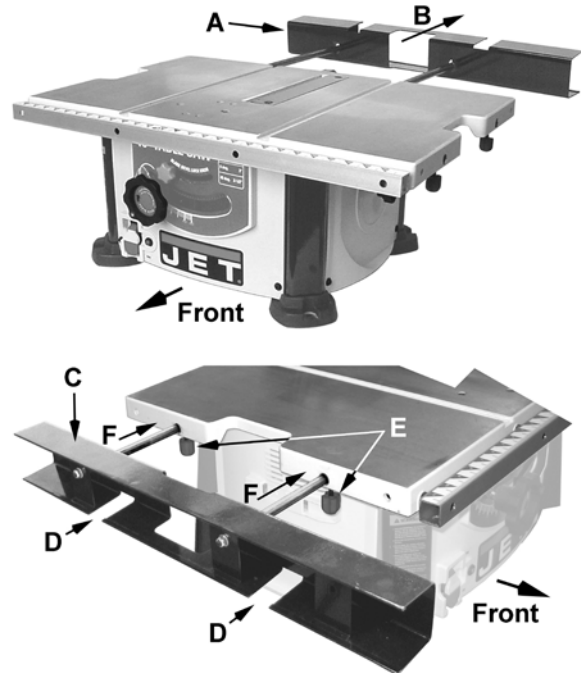


Figure 17

Handwheel Handle

All Models

Referring to Figure 18:

1. Insert a *5mm hex wrench* (A) in the end of the *handle* (B) into the socket head cap screw.
2. Thread into the handwheel (E) until almost tight.

While still maintaining a hold on the *hex wrench* (A):

3. Tighten the *hex nut* (C) with a *10mm wrench* (D) against the *handwheel* (E) so that the *handle* (B) is secure, but its rotation is still allowed during operation.

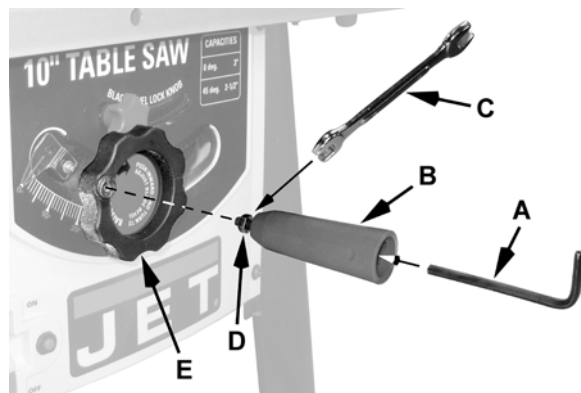


Figure 18

Adjustments

⚠WARNING When working around the saw blade, always disconnect the saw from the power source! Failure to comply may cause serious injury!

90 Degree Positive Stop

Referring to Figure 19:

1. Turn the *handwheel* (A) clockwise and raise the blade to its maximum height.
2. Loosen the *blade tilt lock knob* (B) by turning counterclockwise.
3. Push the *handwheel* (A) in to engage the blade tilt mechanism; then turn clockwise all the way, bringing the blade to the 90° position to the table.
4. Continue holding the handwheel with the blade in this position. Place a *combination square* (C) on the table and against the blade as shown.

If the blade is not 90° to the table:

5. While maintaining the hold on the handwheel, use a 6mm hex wrench to turn the *90° Adjust Screw* (Figure 19) until the blade is 90° to the table.
6. Tighten the *blade tilt lock knob* (B).

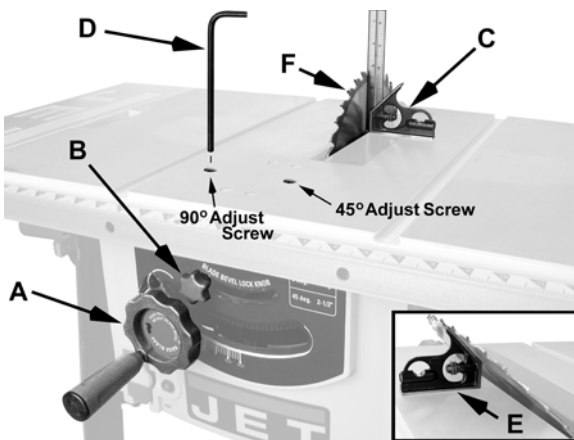


Figure 19

Scale Calibration

The scale next to the handwheel needs to be calibrated after the saw blade has been calibrated at the 90° positive stop (see previous section) and the scale does not indicate 0°.

To calibrate the scale (refer to Figure 20):

1. Loosen the *blade tilt lock knob* (D) by turning counterclockwise.

2. Push the *handwheel* (C) in to engage the blade tilt mechanism; then turn clockwise all the way, bringing the blade to the 90° position to the table. Hold the handwheel and:

3. Lock the *blade tilt lock knob* (D).

If the scale does not read exactly 0°:

4. Loosen the *screw* (B) with an off-set cross-point screwdriver.
5. Manually adjust the *scale* (A) until it points to 0°:
6. Tighten the *screw* (B).

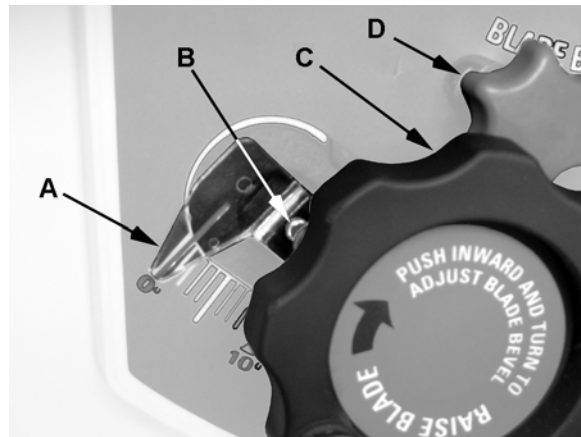


Figure 20

45 Degree Positive Stop

Referring to Figure 19:

1. Turn the *handwheel* (A) clockwise and raise the blade to its maximum height.
2. Loosen the *blade tilt lock knob* (B) by turning counterclockwise.
3. Push the *handwheel* (A) in to engage the blade tilt mechanism and turn counterclockwise all the way, bringing the blade to the 45° position to the table.
4. Continue holding the handwheel with the blade in this position. Place a *combination square* (E) on the table and against the blade as shown.

If the blade is not 45° to the table:

5. While maintaining the hold on the handwheel, use a 6mm hex wrench to turn the *45° Adjust Screw* (Figure 19) until the blade is 45° to the table.
6. Tighten the *blade tilt lock knob* (B).

Adjusting Blade Parallel to Miter Gauge Slots

⚠WARNING When working around the saw blade, always disconnect the saw from the power source! Failure to comply may cause serious injury!

The saw blade was adjusted at the factory to be parallel to the miter gauge slots and should not need adjustment. However, if upon inspection it is determined that adjustment is required, follow the steps below.

1. Using the handwheel (A, Fig. 19), raise the saw blade as high as it will go.

Referring to Figure 21:

2. Place the base of a combination square (A) pressed against the edge of the miter slot (B). Extend the sliding rule (C) so it just touches the tooth at the near end of the blade (D), then tighten the locking screw on the combination square to secure the sliding rule.
3. Move the square to the far end of the blade (E).

If a gap appears or if the base of the combination square will not rest against the edge of the miter slot, adjustment is required as follows:

⚠WARNING Saw blades are sharp. Be extremely careful when working around them! Failure to comply may cause serious injury!

Referring to Figure 22:

4. From underneath the table saw, loosen 3 (of 4) screws (A) that secure the motor to the base.
5. Carefully move the saw blade until the blade is parallel to the miter gauge slot. Check by repeating steps 2 and 3. When adjustment is complete, securely tighten the screws (A).

Replacing the Blade

⚠WARNING When installing or changing the saw blade, always disconnect the saw from the power source! Failure to comply may cause serious injury!

1. Using the handwheels, raise the blade arbor fully and lock the saw at zero degrees (see steps 1–3 in the *90 Degree Positive Stop* section); then tighten the *blade tilt lock knob* (B, Fig. 19).
2. Remove the two insert screws and lift the *table insert* (C, Fig. 23) out of the pocket of the table.

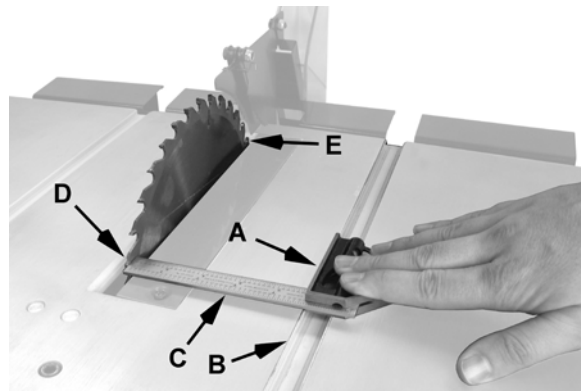


Figure 21

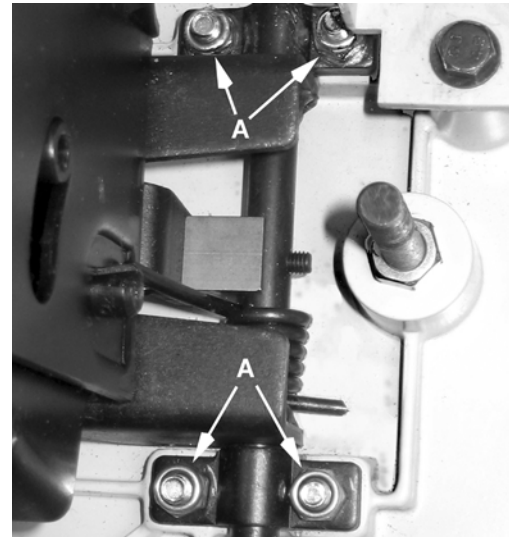


Figure 22

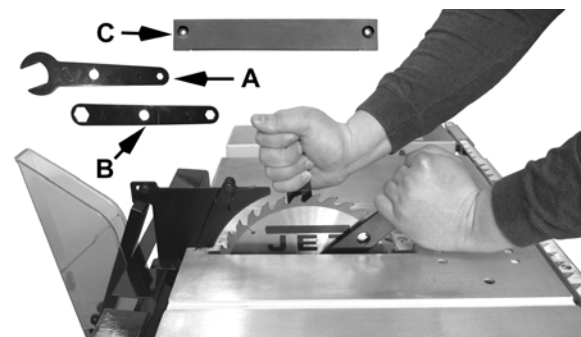


Figure 23

3. Place the *open end arbor wrench* (A, Fig. 23) on the flat sides of the inside blade flange to keep the saw arbor from rotating. Rotate the arbor nut counterclockwise with the *closed arbor nut wrench* (B, Fig. 23) and remove the arbor nut and outer flange.
4. Replace the old blade with a new one, *making certain that the teeth are pointing down at the front of the table* (refer to D, Fig. 21).
5. Assemble the outer flange, arbor nut and securely tighten the arbor nut clockwise while holding the arbor steady with the open end arbor wrench.

Replacing/Adjusting the Drive Belt

For Replacement and Adjustment

1. Remove the saw blade (see *Replacing the Blade* on page 19).
2. Using the front handwheel, lower the blade arbor to its lowest position (rotate handwheel counterclockwise).
3. Remove the blade guard and splitter (see *Installing the Blade Guard and Splitter* section on page 12), then turn the saw upside down.
4. Remove the *dust shroud* if applicable.

Referring to Figure 24:

5. With a 5mm hex wrench, loosen four *socket head cap screws* (A) that secure the *arbor support* (B) to the *motor casing*.

If adjusting belt tension only (no belt replacement), skip steps 6 – 10 and proceed to step 11.

6. With a 10mm wrench, loosen the *tension adjust screw* (C) by turning counterclockwise.
7. Push the *arbor support* (B) forward (D) to relieve tension on the *belt* (E).
8. Remove *belt* (E) from the *motor* and *arbor pulleys* (F, G).
9. Replace the old belt with a new belt making sure that it sits properly on both pulleys.
10. Pull the *arbor support* (B) back (H), placing tension on the belt, and hand-tighten the four *mounting screws* (A).

Adjustment

11. With a 10mm wrench, turn the *tension adjust screw* (C) to place proper tension on the belt.

Adjustment is sufficient when moderate finger pressure on the belt between the pulleys results in approximately 1/4" deflection.

12. Tighten the four *mounting screws* (A) with a 5mm hex wrench.

After the Adjustment

13. Replace the *dust shroud* (page 11) if applicable.
14. Turn the table saw right-side up.
15. Replace and adjust the blade guard and splitter (refer to the *Installing the Blade Guard and Splitter* and *Adjusting the Blade Guard and Splitter* sections on page 12).
16. Replace the saw blade (*Replacing the Blade* on page 19).

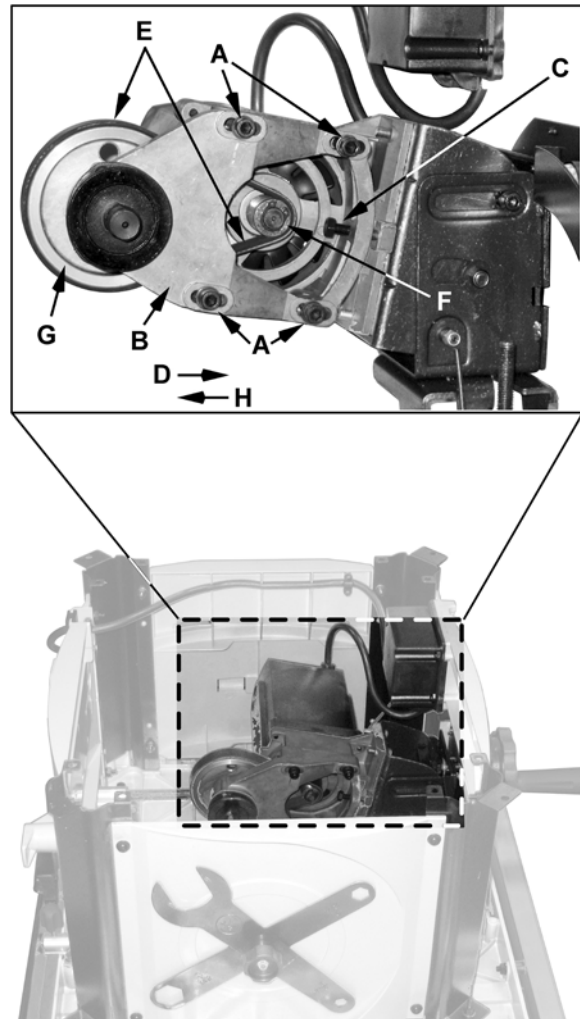


Figure 24

Miter Gauge Operation

Operate the miter gauge by loosening the *lock knob* (A, Fig. 25) and turning the *miter body* (B, Fig. 25) to the desired angle.

Note: Always make test cuts. Do not rely solely on miter gauge indicator marks.

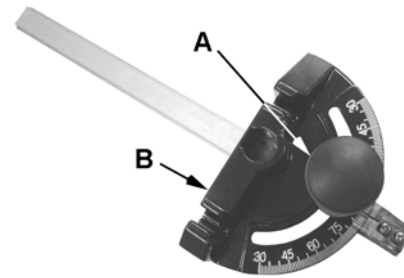
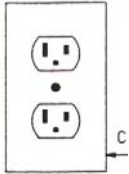


Figure 25

Electrical Connections

This saw has a motor that operates on 120VAC and is equipped with a power cord that plugs into a standard grounded 3-prong 120VAC outlet as shown.



Before hooking up to the power source, be sure the switch is in the *off* position.

If an extension cord is used, select one with a rating appropriate for the job from the chart below.

12 Gauge Cord	0 – 25 feet
10 Gauge Cord	0 – 50 feet
8 Gauge Cord	0 – 100 feet

Extension Cord Chart

Operating Controls

On/Off Switch – The *on/off switch* is located on the front panel of the saw base (C, Fig. 26). To turn the saw *on* move the switch to the *up* position (F, Fig. 27). To turn the switch off move the switch to the down position.

Locking Key – When the saw is not in use, the switch should be locked in the off position. To lock the switch in the off position, pull out the *safety key* (G, Fig. 27). The saw will not start with the key removed. However, if the key is removed while the switch is in the on position, it can be turned off once. The saw will not restart until the key has been reinserted into the switch.

Overload Protection – This saw is equipped with a resettable *overload relay button* (D, Fig. 26). If the motor shuts off or fails to start due to overloading or low voltage, turn the *switch* (C, Fig. 26) to the *off* position and let the motor cool down for at least five minutes. After the motor has cooled down, push the *reset button* (D, Fig. 26) to reset the overload device. The saw should now start when the switch is returned to the on position.

Blade Height/Tilt Handwheel – The *handwheel* located on the front of the saw (A, Fig. 26) sets the blade *height* and *tilt*.

To *raise* or *lower* the blade, simply turn the hand-

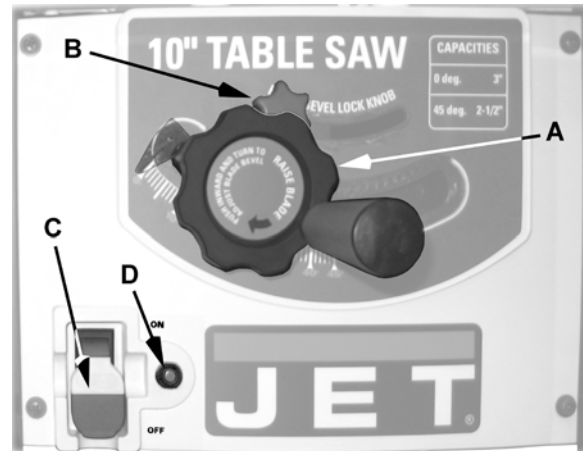


Figure 26

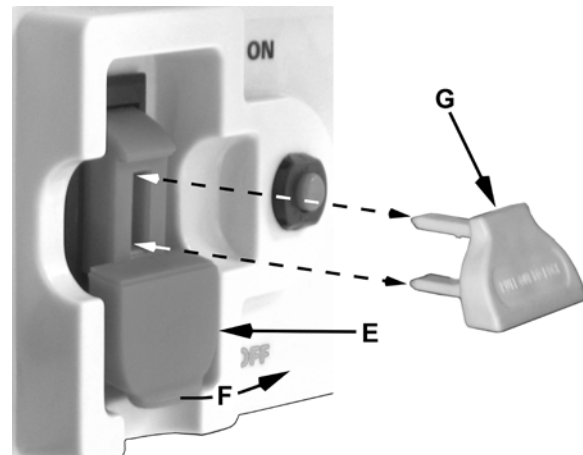


Figure 27

wheel (A, Fig. 26) clockwise or counterclockwise.

To *tilt* the blade:

1. Press the handwheel in.
2. Loosen the *blade tilt lock knob* (B, Fig. 26) by turning counterclockwise.
3. Still pressing the handwheel in, turn clockwise or counterclockwise to set the blade between 0° (blade 90° perpendicular to table) and 45° (left tilt).

When the desired blade angle is set,

4. Continue holding the *handwheel* (A, Fig. 26) in until the *lock knob* (B, Fig. 26) is tightened.

Operations

⚠WARNING Before turning the saw on, make sure that the table is free of tools, hardware and debris. These items can become projectiles and cause serious injury.

Table Saws

Familiarize yourself with the location and operation of all controls and adjustments and the use of accessories such as the miter gauge and rip fence.

Kickbacks

Serious injury can result from kickbacks which occur when a work piece binds on the saw blade or binds between the saw blade and rip fence or other fixed object. This binding can cause the work piece to lift up and be thrown toward the operator.

Listed below are conditions, which can cause kickbacks:

- ❑ Confining the cutoff piece when crosscutting or ripping.
- ❑ Releasing the work piece before completing the operation or not pushing the work piece all the way past the saw blade.
- ❑ Not using the splitter when ripping or not maintaining alignment of the splitter with the saw blade.
- ❑ Using a dull saw blade.
- ❑ Not maintaining alignment of the rip fence so that it tends to angle toward rather than away from the saw blade front to back.
- ❑ Applying feed force when ripping to the cutoff (free) section of the work piece instead of the section between the saw blade and fence.
- ❑ Ripping wood that is twisted (not flat), or does not have a straight edge, or a twisted grain.

To minimize or prevent injury from kickbacks:

- ❑ Avoid conditions listed above.
- ❑ Wear a safety face shield, goggles, or glasses.
- ❑ Do not use the miter gauge and rip fence in the same operation unless provision is made by use of a facing board (auxiliary block) on the fence so as to allow the cutoff section of the workpiece to come free before the next cut is started (see Figure 35).

- ❑ As the machine receives use, the operation of the anti-kickback pawls should be checked periodically (Figure 26). If the pawls do not stop the reverse motion of a workpiece, sharpen all the points.
- ❑ Where possible, keep your face and body out of line with potential kickbacks including when starting or stopping the machine.

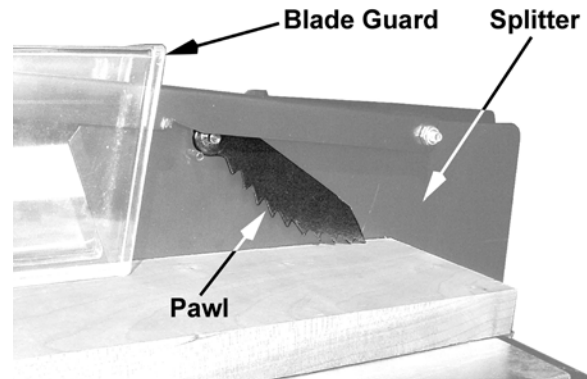


Figure 28

Dull, badly set, improper, or improperly filed cutting tools and cutting tools with gum or resin adhering to them can cause accidents. Never use a cracked saw blade. The use of a sharp, well maintained, and correct cutting tool for the operation will help to avoid injuries.

Support the work properly and hold it firmly against the gauge or fence. Use a push stick or push block when ripping short, narrow (6" width or less), or thin work. Use a push block or miter gauge hold-down when dadoing or molding.

For increased safety in crosscutting, use an auxiliary wood facing (Figure 29) attached to the miter gauge using the holes provided in the gauge.

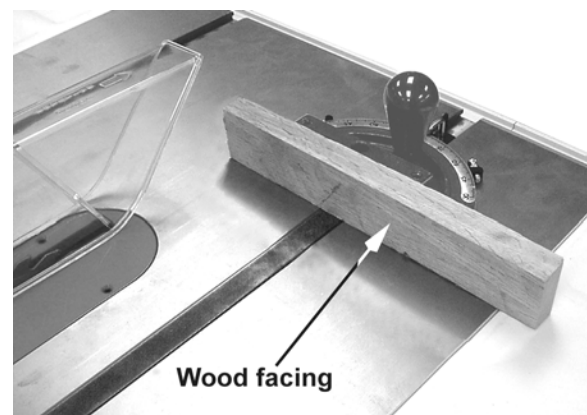


Figure 29

Never use the fence as a length stop when crosscutting. Do not hold or touch the free end or cutoff section of a workpiece. On through-

sawing operations, the cutoff section must NOT be confined.

Always keep your hands out of the line of the saw blade and never reach back of the cutting blade with either hand to hold the workpiece.

Bevel ripping cuts should always be made with the fence on the right side of the saw blade so that the blade tilts away from the fence and minimizes the possibility of the work binding and the resulting kickback.

Rip Sawing

Ripping is where the work piece is fed with the grain into the saw blade using the fence as a guide and a positioning device to ensure the desired width of cut (Figure 30).

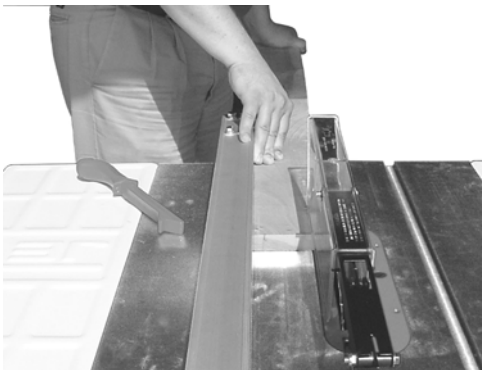


Figure 30

CAUTION Before starting a ripping cut, be sure the fence is clamped securely and aligned properly.

- ❑ Never rip freehand or use the miter gauge in combination with the fence.
- ❑ Never rip workpieces shorter than the saw blade diameter.
- ❑ Never reach behind the blade with either hand to hold down or remove the cutoff piece with the saw blade rotating.

Always use the blade guard, splitter and anti-kickback pawls. Make sure the splitter is properly aligned. When wood is cut along the grain, the kerf tends to close and bind on the blade and kickbacks can occur.

Note: A caution decal is installed on the guard and splitter assembly warning of the hazard of misalignment.

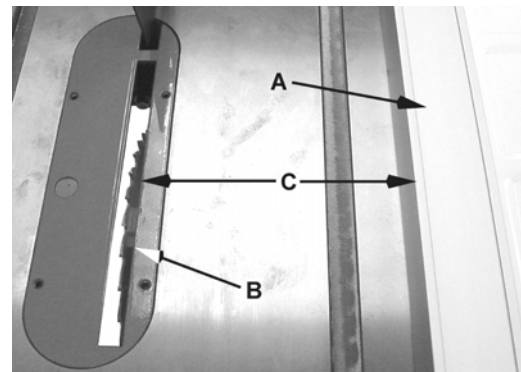


Figure 31

The *rip fence* (A, Fig. 31) should be set for the *width of the cut* (C, Fig. 31) by using the scale on the front rail, or by measuring the distance between the blade (B) and fence (A). Stand out of line with the saw blade and workpiece to avoid sawdust and splinters coming off the blade or a kickback, if one should occur.

If the work piece does not have a straight edge, nail an auxiliary straight edged board on it to provide one against the fence. To cut properly, the board must make good contact with the table. If it is warped, turn the hollow side down.

In ripping, use one hand to hold the board down against the fence or fixture, and the other to push it into the blade between the blade and the fence. If the workpiece is narrower than 6" use a push stick or push block to push it through between the fence and saw blade (Figure 32). Never push in a location such that the pushing hand is in line with the blade. Move the hand serving as a hold-down a safe distance from the blade as the cut nears completion. For very narrow ripping where a push stick cannot be used, use a push block or auxiliary fence. Always push the workpiece completely past the blade at the end of a cut to minimize the possibility of a kickback.

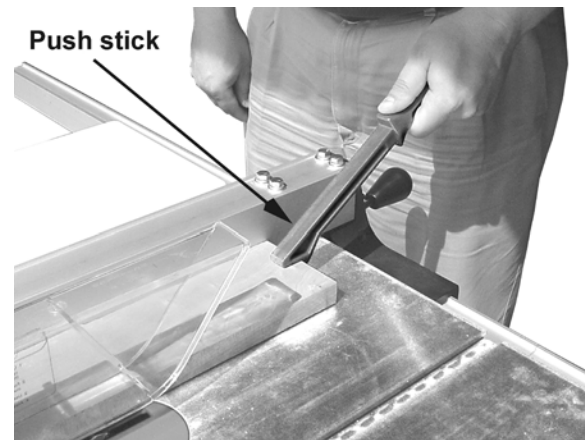


Figure 32

When ripping long boards, use a support at the front of the table, such as a roller stand, and a support or "tailman" at the rear as shown in Figure 33.

Have the blade extend about 1/8" above the top of the workpiece. Exposing the blade above this point can be hazardous.

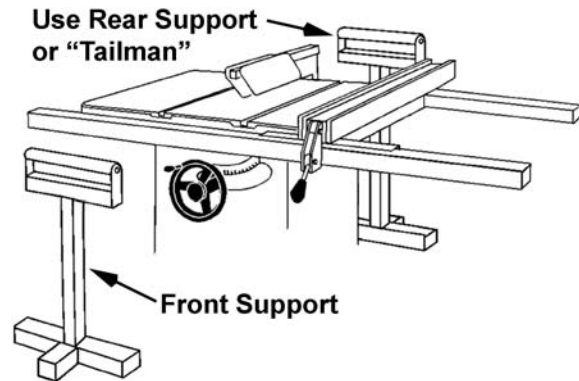


Figure 33

Crosscutting

Crosscutting is where the *workpiece* (A, Fig. 34) is fed cross grain into the saw blade using the *miter gauge* (B, Fig. 34) to support and position the workpiece.

To improve the effectiveness of the miter gauge in crosscutting, mount an auxiliary *wooden extension face* (C, Fig. 34) with a glued-on strip of *sandpaper* (D, Fig. 34) to the miter gauge.

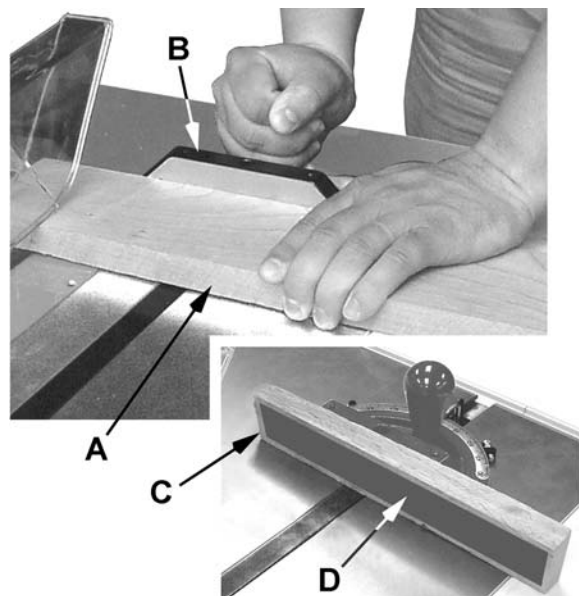


Figure 34

Crosscutting should **never** be done freehand nor should the fence be used as an end stop unless an auxiliary block is clamped to the front of the blade area such that the cutoff piece comes free of the block before cutting starts (Figure 35).

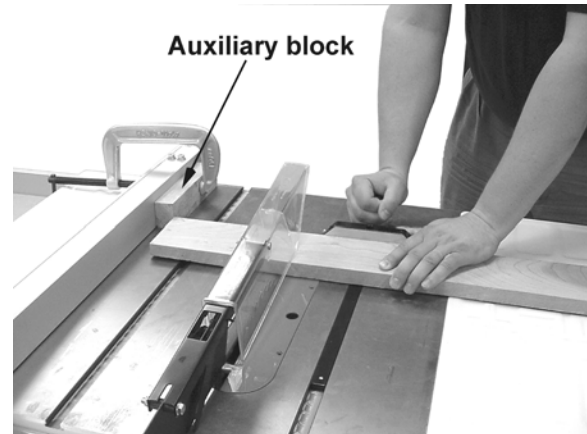


Figure 35

Length stops should not be used on the free end of the workpiece in the cutoff area.

Do not crosscut workpieces shorter than 6". Before starting a cut, be sure the miter gauge is securely clamped at the desired angle. Hold the workpiece firmly against the table and back against the miter gauge. Always use the saw guard and splitter and make sure the splitter is properly aligned.

For 90 degree crosscutting, most operators prefer to use the left-hand miter gauge slot. When using it in this position, hold the workpiece against the gauge with the left hand and use the right hand to advance the workpiece. When using the right hand slot for miter and compound crosscutting so that the blade tilts away from the gauge, the hand positions are reversed.

When using the miter gauge, the workpiece must be held firmly and advanced smoothly at a slow rate. If the workpiece is not held firmly, it can vibrate causing it to bind on the blade and dull the saw teeth.

Provide **auxiliary support** for any workpiece extending beyond the table top with a tendency to sag and lift off the table.

Have the blade extend about 1/8" above the top of the workpiece. Exposing the blade above this point can be hazardous.

Bevel and Miter Operations

Bevel Cut – A bevel cut is a special type of operation where the saw blade is tilted at an angle less than 90 degrees to the table top (Figure 36). Operations are performed in the same manner as ripping or crosscutting except the fence or miter gauge should be used on the right-hand side of the saw blade to provide added safety in avoiding a binding action between the saw blade and the table top. When beveling with the miter gauge, the workpiece must be held firmly to prevent creeping.



Figure 36

Crosscut – Crosscuts made at an angle to the edge of the workpiece are called miters (Figure 37). Set the miter gauge at the required angle, lock the miter gauge, and make the cut the same as a normal crosscut except the workpiece must be held extra firmly to prevent creeping.

Note: When making compound miters (with blade tilted) use the miter gauge in the right hand slot to provide more hand clearance and safety.

Have the blade extend only 1/8" above the top of the workpiece. Exposing the blade above this point can be hazardous.

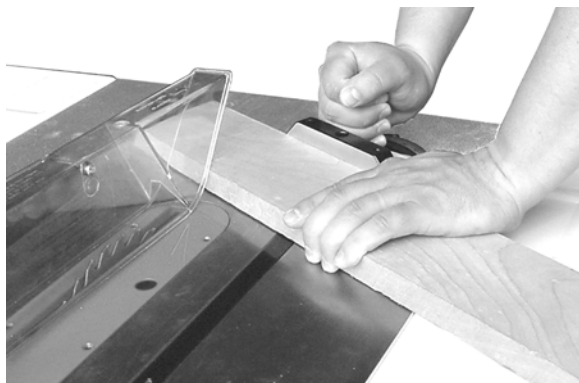


Figure 37

Dado Cutting – Dadoing is cutting a wide groove into a workpiece or cutting a rabbet along the edge of a workpiece. A dado insert, shown in Figure 38, is necessary for this type of operation.

CAUTION Do not use the standard table insert for dadoing operations.



Figure 38

The process of cutting 1/8" to 1/2" grooves in workpieces is accomplished by the use of a stacked dado blade set or an adjustable type blade mounted on the saw arbor. By using various combinations of the stacked dado blades, or properly setting the dial on an adjustable blade, an accurate width dado can be made. This is very useful for shelving, making joints, tenoning, etc. The guard, splitter, and anti-kickback pawls supplied with the saw should be used for all cutting operations where they can be used. When performing operations where the guard can not be used, as in some dadoing operations, alternative safety precautions should be taken. These include push sticks, feather boards, filler pieces, fixtures, jigs and any other appropriate device that can be utilized to keep operator's hands away from the blade. Upon completion of the operation requiring removal of the guard, the entire guard assembly must be placed back on the machine in its proper working order.

CAUTION Never use a dado head in a tilted position. Never operate the saw without the blade guard, splitter and anti-kickback pawls for operations where they can be used.

Dust Collection

If your saw is equipped with a *dust shroud*, a *dust collection* or *vacuum* system (not included) should be used during operation. The port on the dust shroud can accommodate 2.5-inch or 4-inch hoses (Figure 39).

The dust shroud should be checked and cleaned often to remove dust and chips in order to prevent blockage from buildup.

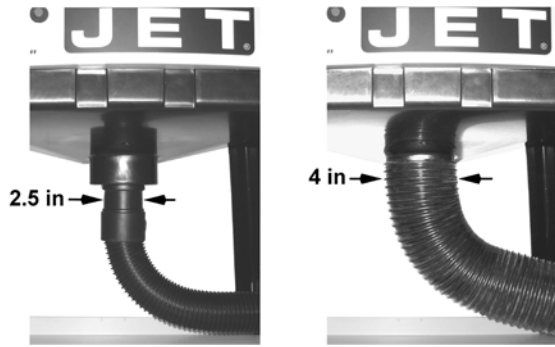


Figure 39

Safety Devices

Feather Board

The feather board (Figure 40) should be made of straight grain hardwood approximately 1" thick and 4" to 8" wide depending on the size of the machine. The length is developed in accordance with intended use. Feather boards can be fastened to the table or rip fence by use of C-clamps. If this method of fastening is used, provide slots in the feather board for adjustment. (The illustration shows a method of attaching and use of the feather board as a vertical comb. The horizontal application is essentially the same except that the attachment is to the table top.)

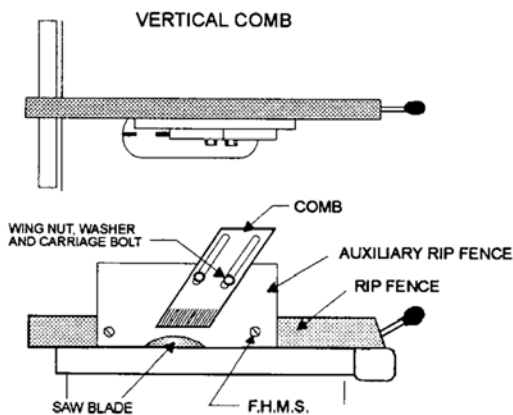
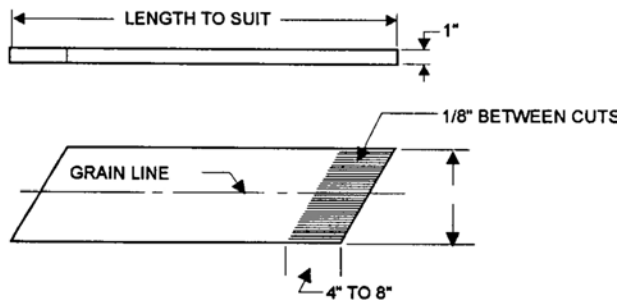


Figure 40

Push Stick

A push stick is provided with this saw and *should be used* as an added level of safety for the operator.

Filler Piece

A filler piece (Figure 41) is necessary for narrow ripping and permits the blade guard to remain on the machine. It also provides space for the safe use of a push stick.

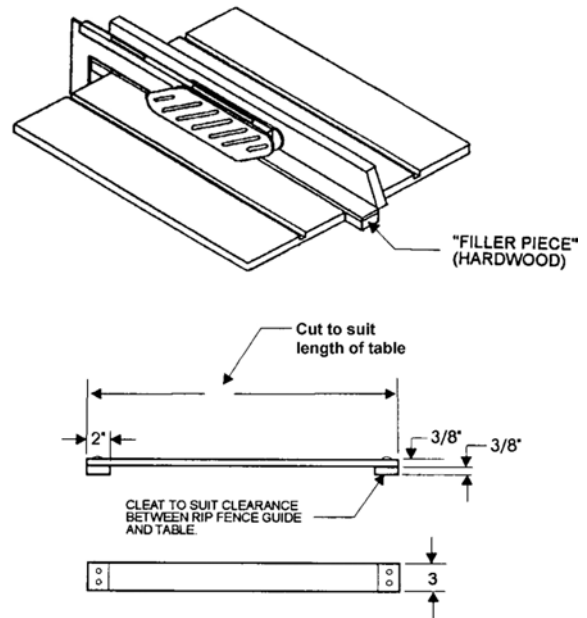


Figure 41 – Filler Piece

Maintenance

⚠ WARNING Always disconnect power to the machine before performing maintenance. Failure to do this may result in serious personal injury.

Cleaning

Clean the 708315 Table Saw according to the schedule below to ensure maximum performance.

Note: The following maintenance schedule assumes the saw *is being used every day*.

Daily:

- Clean pitch and resin from the saw blade.

Weekly:

- Clean motor housing with compressed air.
- Wipe down the table surface, grooves and fence rails with a dry silicon lubricant.

Lubrication

Lubricate the areas indicated below every 12 months.

- Lubricate blade angling trunnions with 6 or 7 drops of light machine oil.
- Lubricate the blade height trunnion with 6 or 7 drops of light machine oil.

Check all adjustments after lubricating.

Miscellaneous

Always be aware of the condition of your machine. Routinely check the condition of the following items and repair or replace as necessary:

- Mounting bolts
- Power switch
- Saw blade
- Blade guard

Troubleshooting

Symptom	Possible Cause	Correction
Motor will not start	Low voltage.	Check power line for proper voltage.
	Open circuit in motor or loose connection.	Inspect all lead connections on motor for loose or open connections.
Motor will not start: fuses or circuit breakers blow.	Short circuit in line cord or plug.	Inspect cord or plug for damaged insulation and shorted wires.
	Short circuit in motor or loose connections.	Inspect all connections on motor for loose or shorted terminals or worn insulation.
	Incorrect fuses of circuit breakers in power line.	Install correct fuses or circuit breakers.
Motor overheats.	Motor overloaded.	Reduce load on motor.
	Air circulation through the motor restricted.	Clean out motor to provide normal air circulation.
Motor stalls resulting in blown fuses or tripped circuit.	Short circuit in motor or loose connections.	Inspect connections on motor for loose or shorted terminals or worn insulation.
	Low voltage.	Correct the low voltage conditions.
	Incorrect fuses of circuit breakers in power line.	Install correct fuses or circuit breakers.
	Motor overloaded.	Reduce load on motor.
Machine slows when operating.	Applying too much pressure to workpiece.	Feed workpiece slower.
Loud, repetitious noise coming from machine.	Pulley setscrews or keys are missing or loose.	Inspect keys and setscrews. Replace or tighten if necessary.
	V-belt is defective.	Replace V-belt.
Blade is not square with the miter slot or fence is not square to the blade.	Blade is warped.	Replace saw blade.
	Table top is not parallel to the blade.	Adjust table parallel to the blade.
	Fence is not parallel to the blade.	Adjust fence parallel to the blade.
Blade does not reach 90 degrees.	90 degree stop bolt is out of adjustment.	Adjust the 90 degree stop bolt.
	Table out of alignment.	Align the table.
	Blade position is incorrect.	Adjust the blade position.

Parts

Ordering Replacement Parts

To order parts or reach our service department, call 1-800-274-6848 between 7:30 a.m. and 5:30 p.m. (CST), Monday through Friday. Having the Model Number and Serial Number of your machine available when you call will allow us to serve you quickly and accurately.

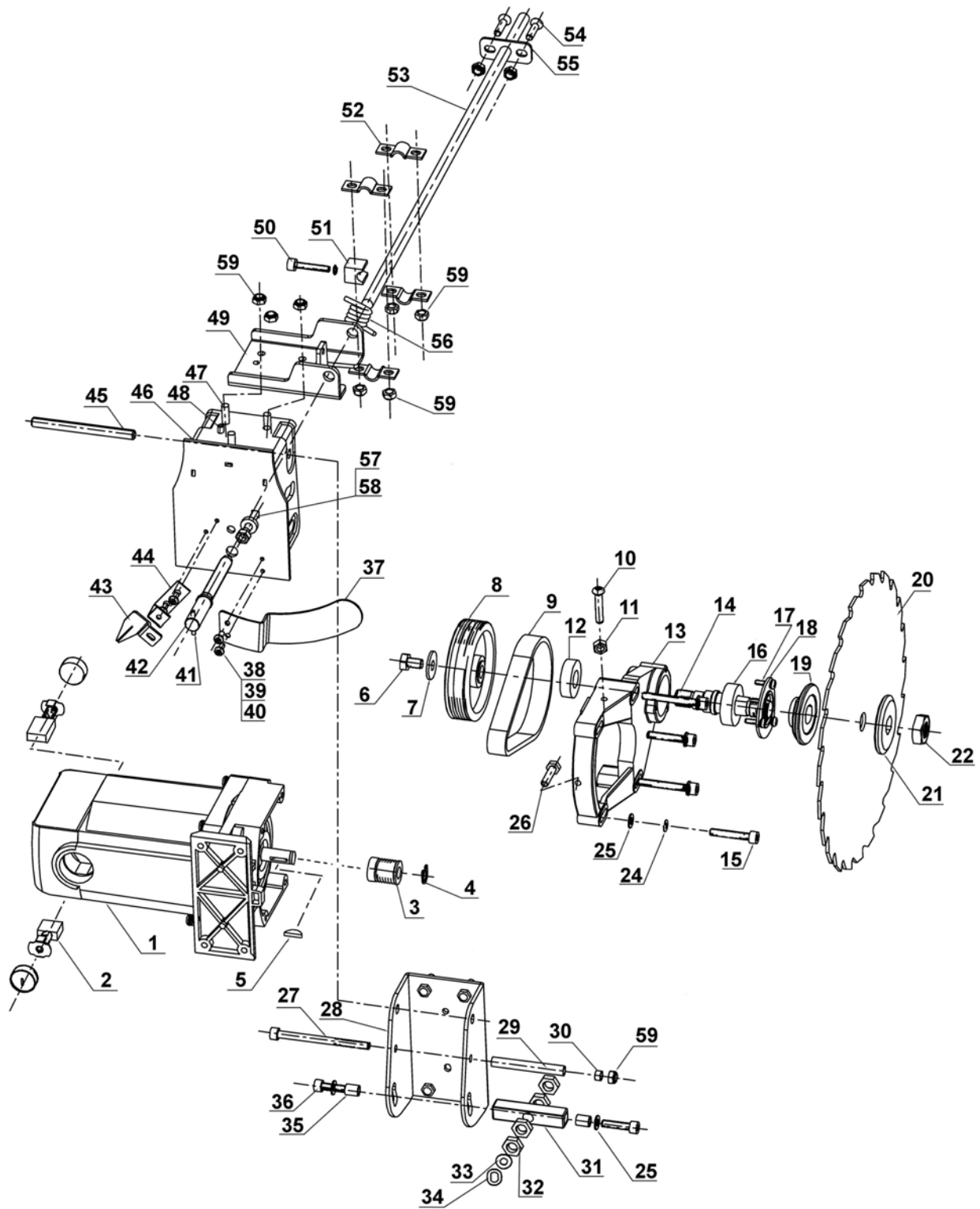
Motor/Trunnion – Parts List

Index No.	Part No.	Description	Size	Qty
1	708315-1	Motor		1
2	708315-2	Brush Assembly		2
3	708315-3	Motor Sheave		1
4	708315-4	Retaining Ring		1
5	708315-5	Key	3x6.5x16	1
6	TS-1490011	Hex Cap Screw	M8x12	1
7	TS-1550061	Flat Washer	M8	1
8	708315-8	Arbor Sheave		1
9	708315-9	Belt		1
10	TS-2286252	Pan Head Screw	M6x25	1
11	TS-1540041	Hex Nut	M6	7
12	BB-6002Z	Bearing	6002Z	1
13	708315-13	Arbor Support		1
14	708315-14	Arbor Shaft		1
15	TS-1503111	Socket Head Cap Screw	M6x50	2
16	BB-6003Z	Bearing	6003Z	1
17	TS-1532042	Pan Head Screw	M4x12	3
18	708315-18	Cover Plate		1
19	708315-19	Arbor Flange		1
20	708315-20	Saw Blade	10"x36T	1
21	708315-21	Arbor Collar		1
22	708315-22	Arbor Nut		1
23	TS-1503081	Socket Head Cap Screw	M6x35	2
24	TS-1551041	Lock Washer	M6	4
25	TS-1550041	Flat Washer	M6	4
26	TS-1482051	Hex Cap Screw	M6x25	1
27	TS-2236801	Socket Head Cap Screw	M6x80	1
28	708315-28	Motor Bracket		1
29	708315-29	Spacer		1
30	708315-30	Spacer		1
31	708315-31	Shaft Support		1
32	708315-32	Nut	M10	4
33	TS-1550071	Flat Washer	M10	1
34	708315-34	Special Washer		1
35	708315-35	Spacer		2
36	TS-1503061	Socket Head Cap Screw	M6x25	2
37	708315-37	Bracket		1
38	TS-2284082	Pan Head Screw	M4x8	2
39	TS-1550021	Flat Washer	M4	2
40	TS-1551021	Lock Washer	M4	2
41	708315-41	Roll Pin	M3x18	1
42	708315-42	Raising Shaft		1
43	708315-43	Pointer		1
44	708315-44	Bracket		1
45	708315-45	Roll Pin	M8x90	1
46	708315-46	Trunnion Bracket		1
47	TS-1503051	Socket Head Cap Screw	M6x20	3
48	708315-48	Pin	M3x10	1
49	708315-49	Bracket		1
50	TS-2285302	Pan Head Screw	M5x30	1
51	708315-51	Rod Support		1
52	708315-52	Hold Down Strap		4

Motor/Trunnion – Parts List

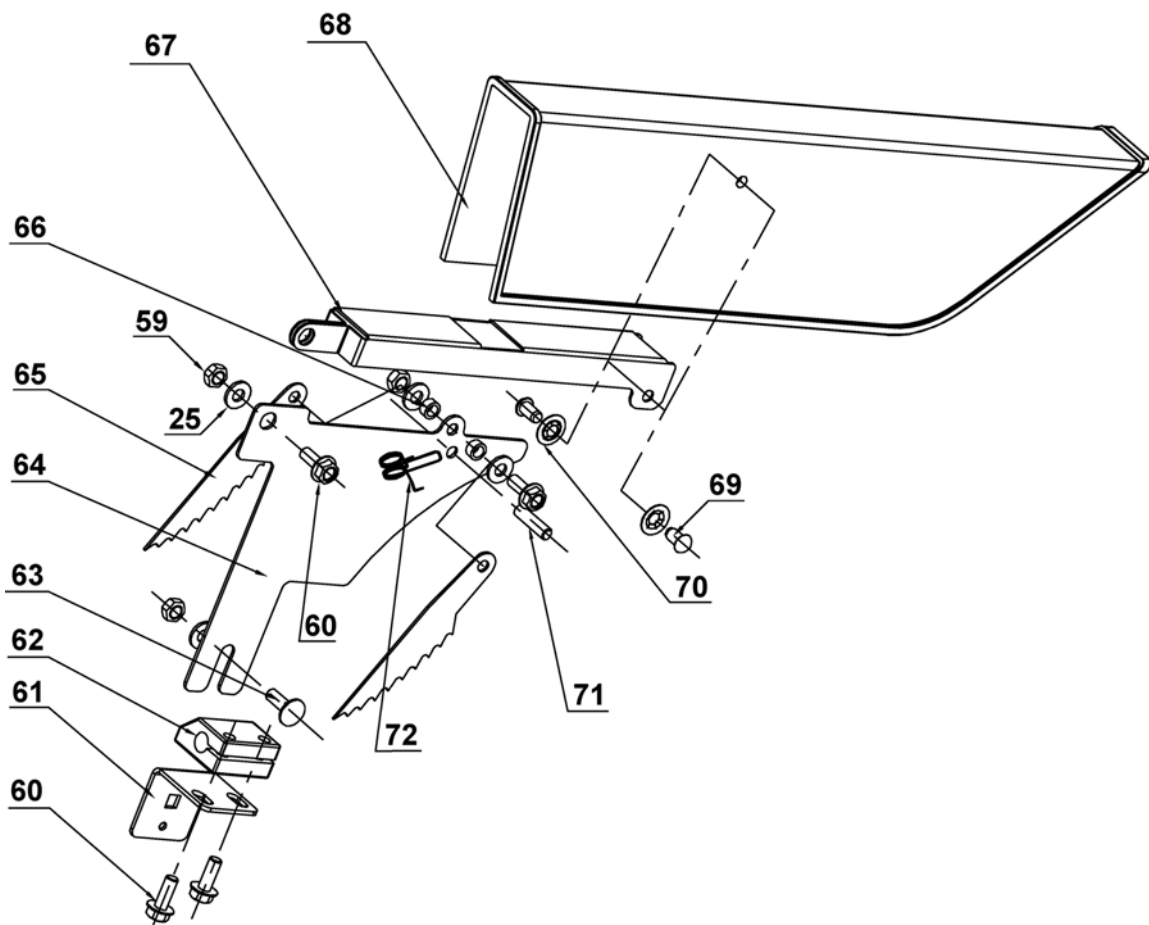
Index No.	Part No.	Description	Size	Qty
53	708315-53	Angle Rod		1
54	TS-2286251	Flat Head Screw	M6x25	2
55	708315-55	Rod Support Plate		1
56	708315-56	Spring		1
57	708315-57	Carriage Bolt	M6x32	1
58	708315-58	Spacer		1
59	TS-1541021	Nylon Insert Lock Nut	M6	39

Motor/Trunnion -- Assembly



Blade Guard Assembly

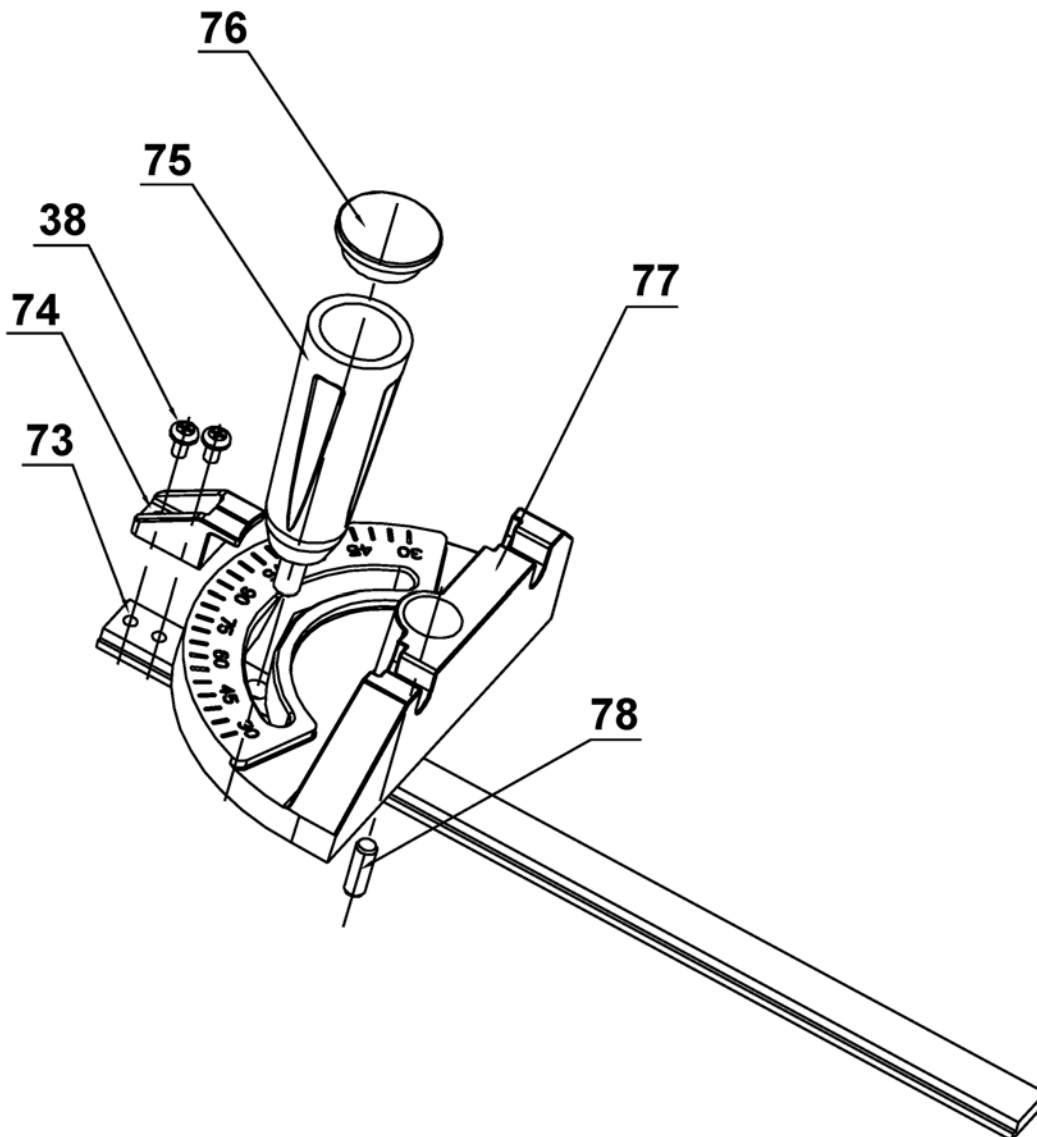
Index No.	Part No.	Description	Size	Qty
.....	708315-BGA	Blade Guard Assembly (Complete) ¹
25	TS-1550041	Flat Washer	M6	4
59	TS-1541021	Nylon Insert Lock Nut	M6	3
60	TS-1482041	Hex Cap Screw	M6x20	4
61	708315-61	Splitter Bracket	1
62	708315-62	Support	1
63	708315-63	Carriage Bolt	M6x12	1
64	708315-64	Splitter	1
65	708315-65	Anti-Kickback Pawl	2
66	708315-66	Spacer	2
67	708315-67	Guard Support	1
68	708315-68	Guard	1
69	708315-69	Rivet	2
70	708315-70	Retaining Washer	2
71	708315-71	Pin	M3x22	1
72	708315-72	Spring	1



¹ A complete Blade Guard Assembly, if purchased, includes all parts except Items 60 – 63.

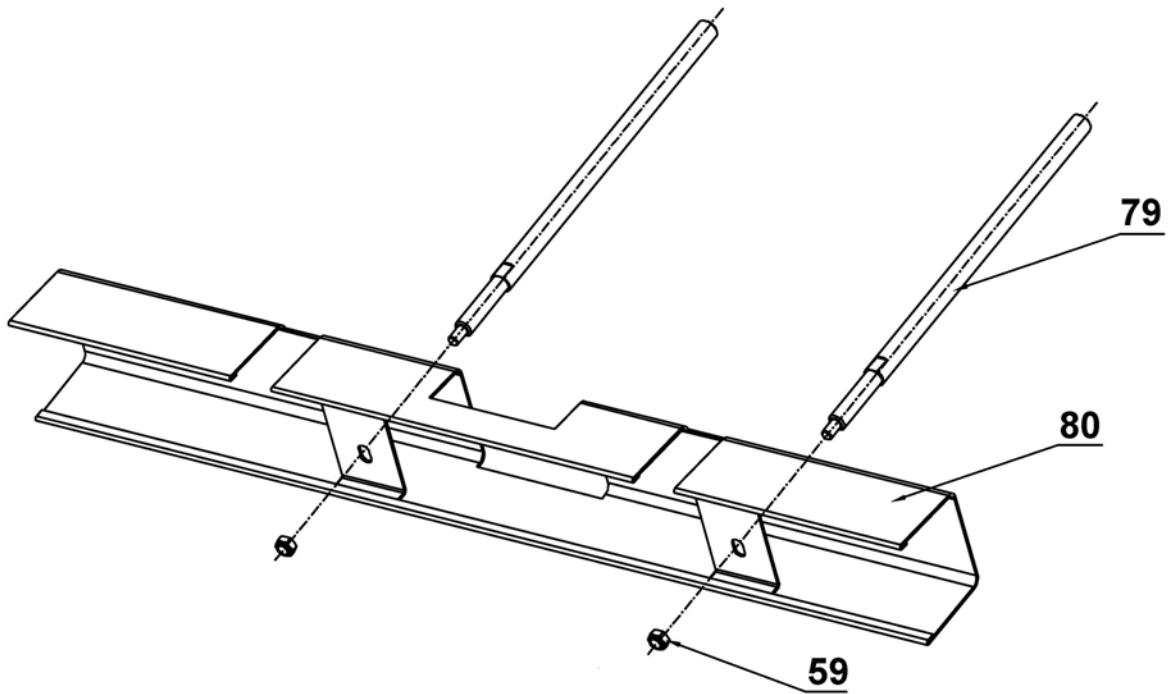
Miter Gauge Assembly

Index No.	Part No.	Description	Size	Qty
.....	708315-MGA.....	Miter Gauge Assembly (Complete).....		
38	TS-2284082	Pan Head Screw.....	M4x8	2
73	708315-73.....	Bar.....		1
74	708315-74.....	Pointer.....		1
75	708315-75.....	Handle.....		1
76	708315-76.....	Handle Cap.....		1
77	708315-77.....	Miter Gauge Body.....		1
78	708315-78.....	Pin.....	M6x15	1



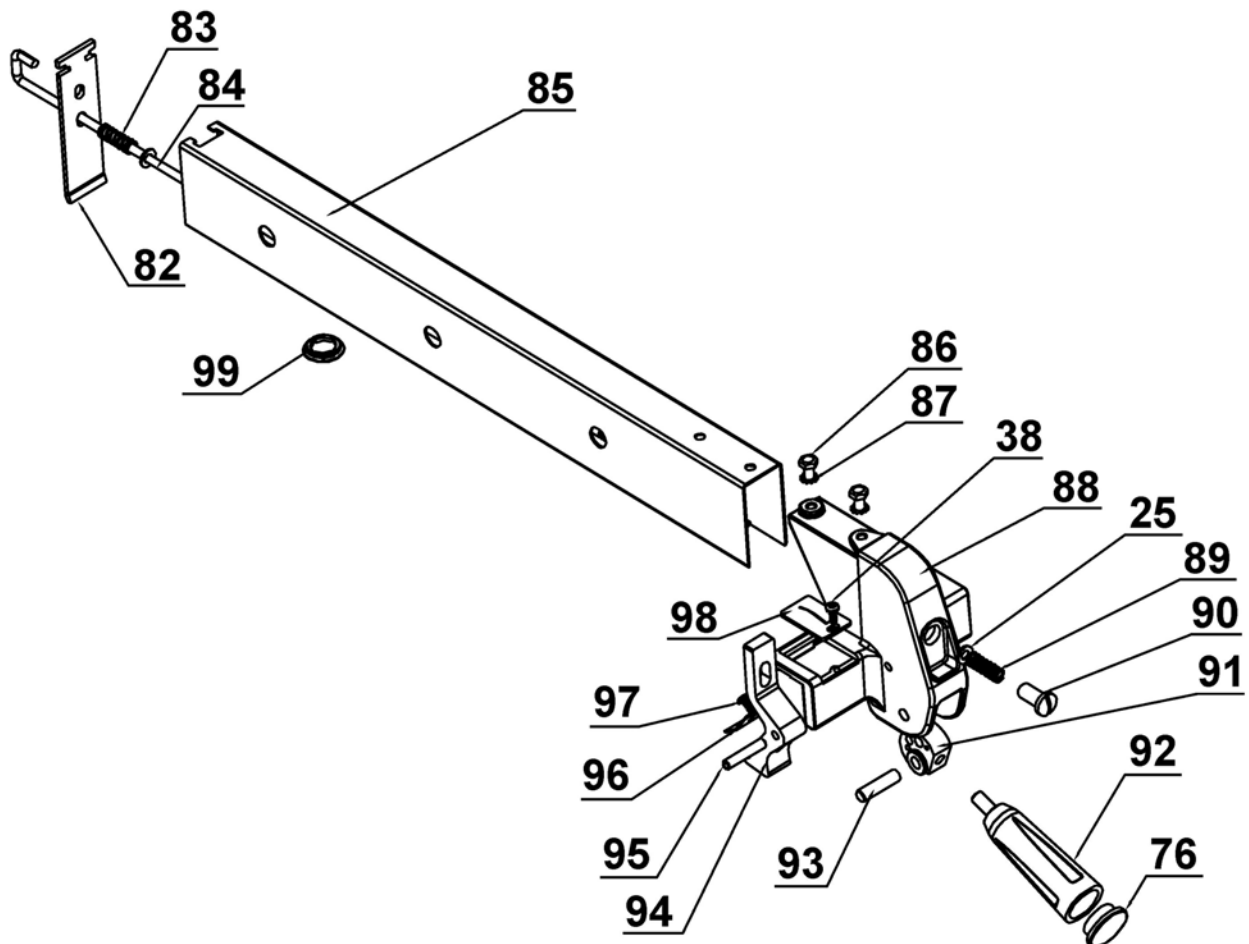
Rear Support Assembly

Index No.	Part No.	Description	Size	Qty
.....	708315-RSA	Rear Support Assembly (Complete)
59	708315-158	Flanged Hex Nut	M6	2
79	708315-79	Rod	2
80	708315-80	Rear Support	1



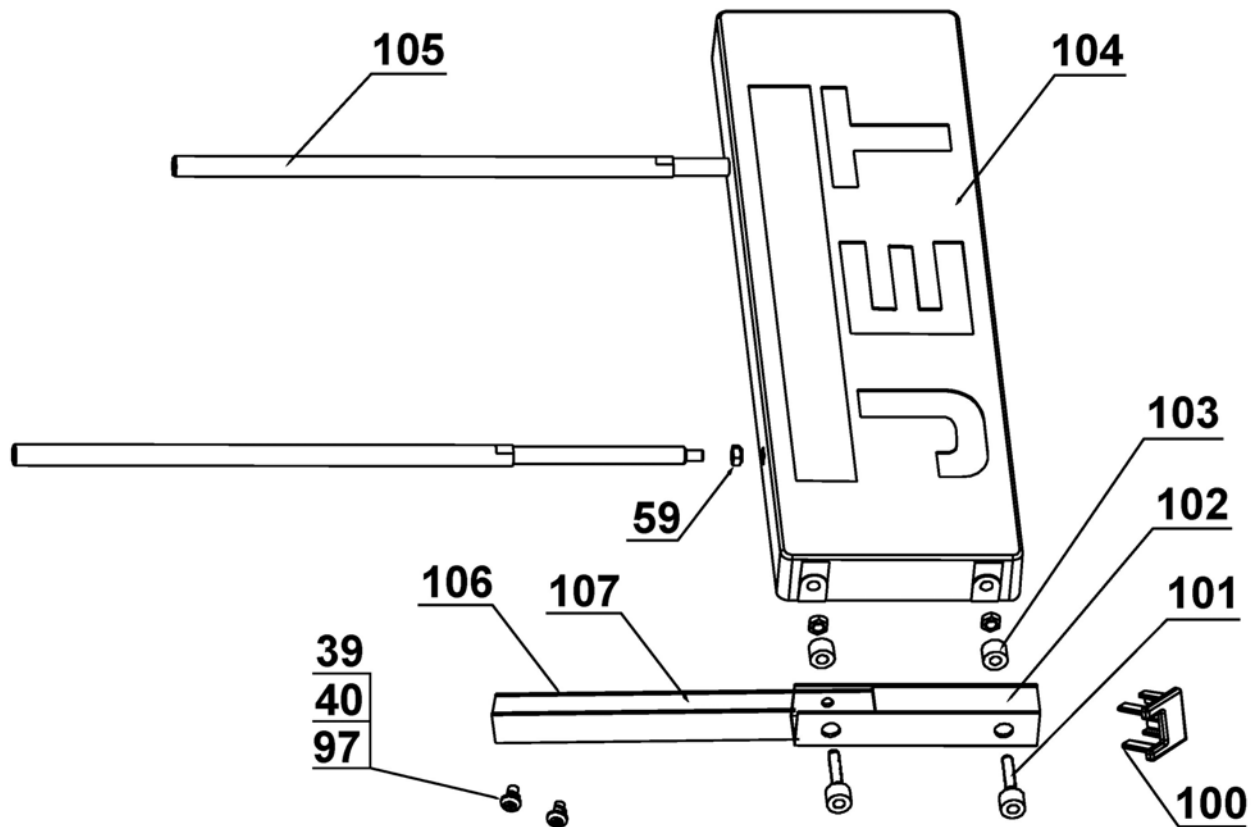
Rip Fence Assembly

Index No.	Part No.	Description	Size	Qty
	708315-RFA	Rip Fence Assembly (Complete)		
25	TS-1550041	Flat Washer	M6	2
38	TS-2284082	Pan Head Screw	M4x8	1
76	708315-76	Handle Cap		1
82	708315-82	Rear Clamp		1
83	708315-83	Spring		1
84	708315-84	Rod		1
85	708315-85	Fence Body		1
86	TS-1482011	Hex Cap Screw	M6x10	2
87	708315-87	External Tooth Lock Washer	M6	2
88	708315-88	Front Block		1
89	708315-89	Spring		1
90	708315-90	Adjustment Screw		1
91	708315-91	Cam Lock		1
92	708315-92	Handle		1
93	708315-93	Pin		1
94	708315-94	Front Clamp		1
95	708315-95	Pin		1
96	708315-96	Leaf Spring		1
97	TS-1532032	Pan Head Screw	M4x10	1
98	708315-98	Cursor		1
99	708315-99	Support		2



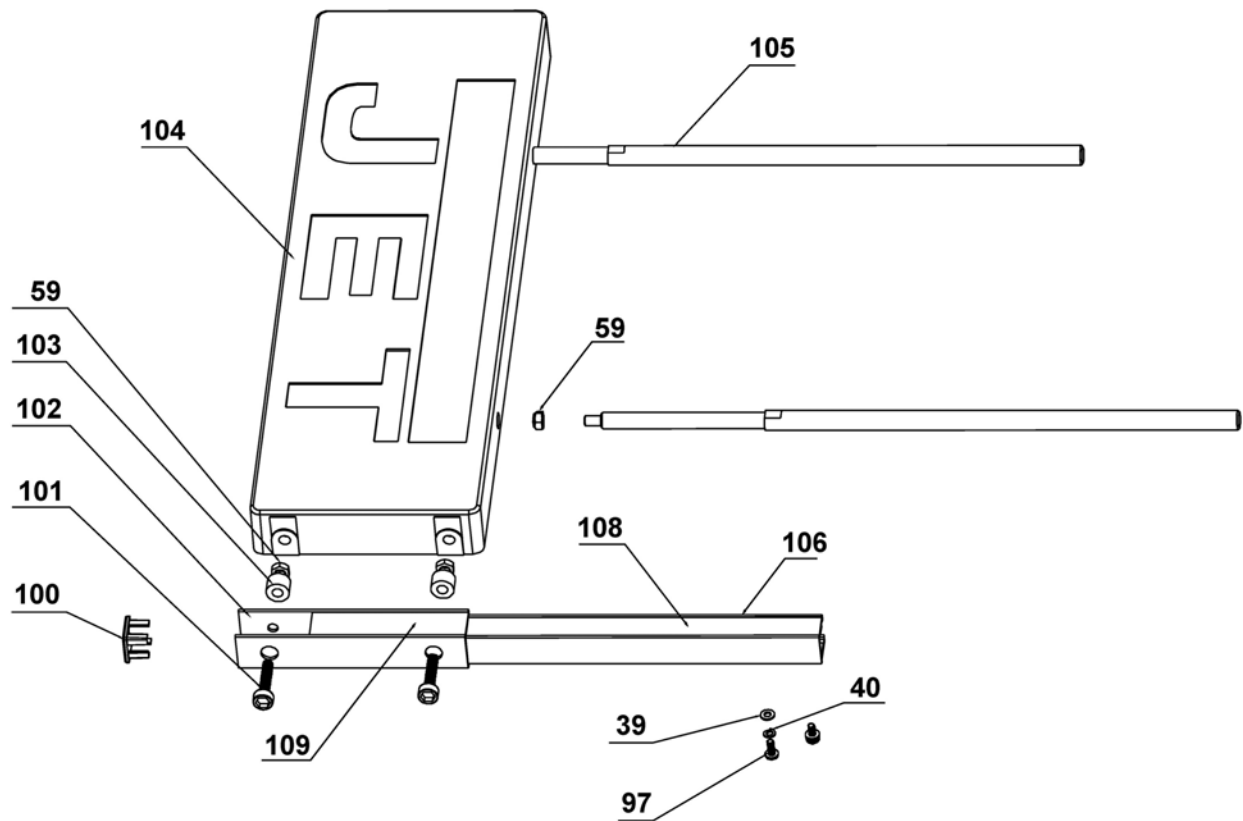
Right Extension Assembly

Index No.	Part No.	Description	Size	Qty
	708315-REA	Right Extension Assembly (Complete)		
39	TS-1550021	Flat Washer	M4	2
40	TS-1551021	Lock Washer	M4	2
59	708315-158	Flanged Hex Nut	M6	4
97	TS-1532032	Pan Head Screw	M4x10	2
100	708315-100	Rail End Cap		1
101	TS-1503071	Socket Head Cap Screw	M6x30	2
102	708315-102	Front Rail		1
103	708315-103	Spacer		2
104	708315-104	Extension Table		1
105	708315-105	Extension Rod		2
106	708315-106	Guide Rail		1
107	708315-107	Scale		1



Left Extension Assembly

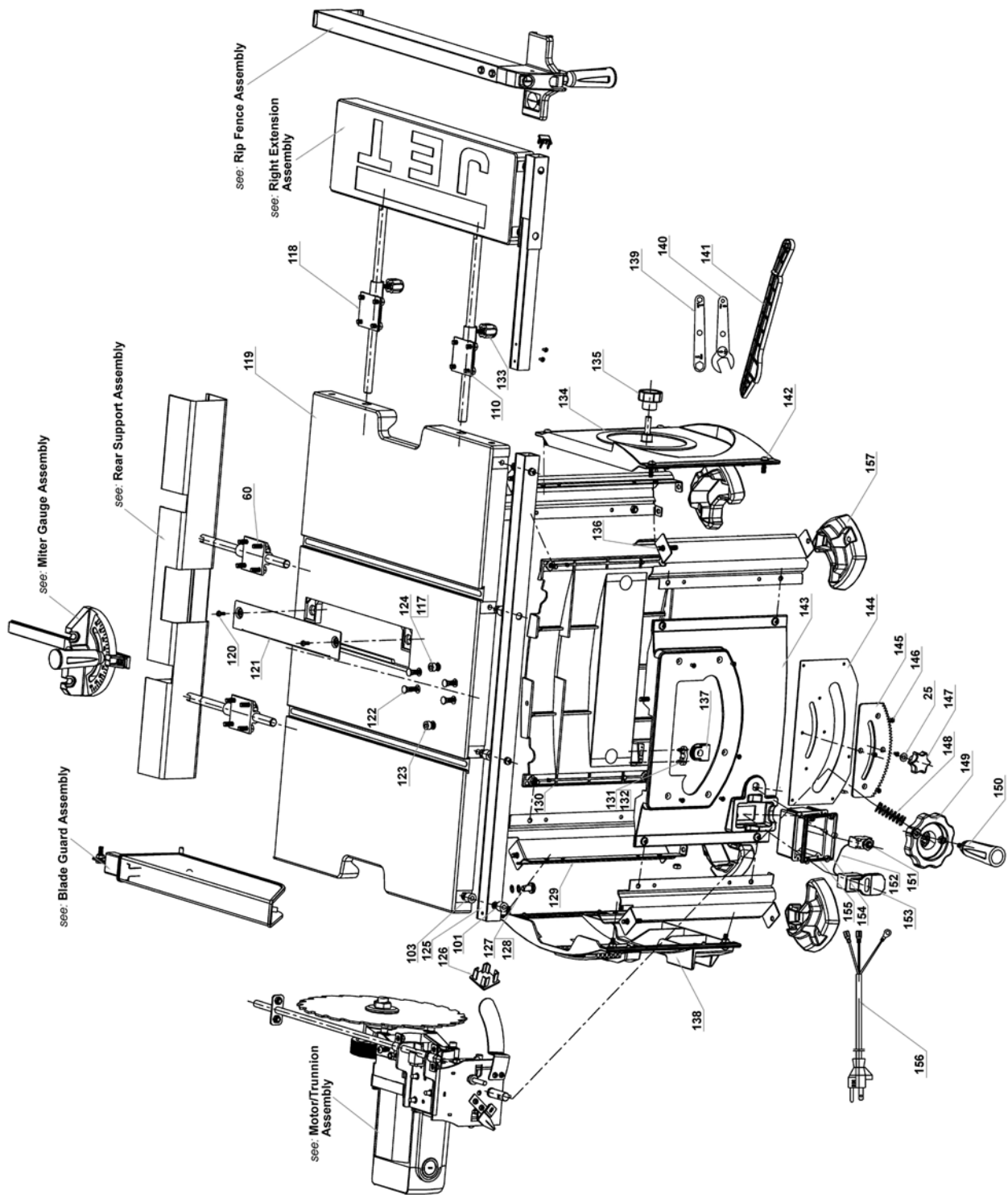
Index No.	Part No.	Description	Size	Qty
	708315-LEA	Left Extension Assembly (Complete)		
39	TS-1550021	Flat Washer	M4	2
40	TS-1551021	Lock Washer	M4	2
59	708315-158	Flanged Hex Nut	M6	4
97	TS-1532032	Pan Head Screw	M4x10	2
100	708315-100	Rail End Cap		1
101	TS-1503071	Socket Head Cap Screw	M6x30	2
102	708315-102	Front Rail		1
103	708315-103	Spacer		2
104	708315-104	Extension Table		1
105	708315-105	Extension Rod		2
106	708315-106	Guide Rail		1
108	708315-108	Scale		1
109	708315-109	Scale		1



Main Saw – Parts

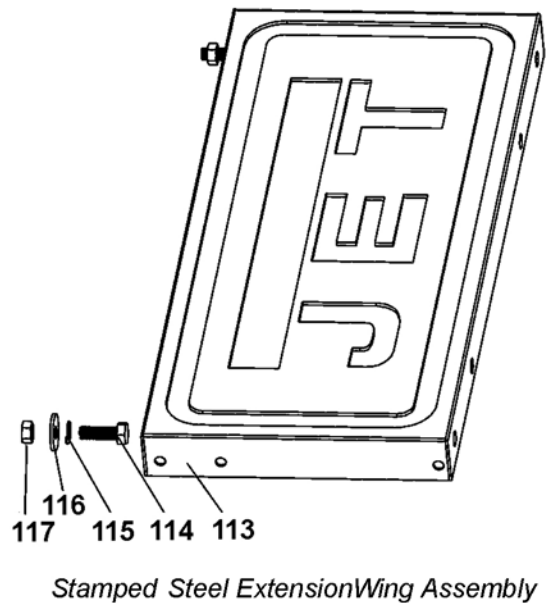
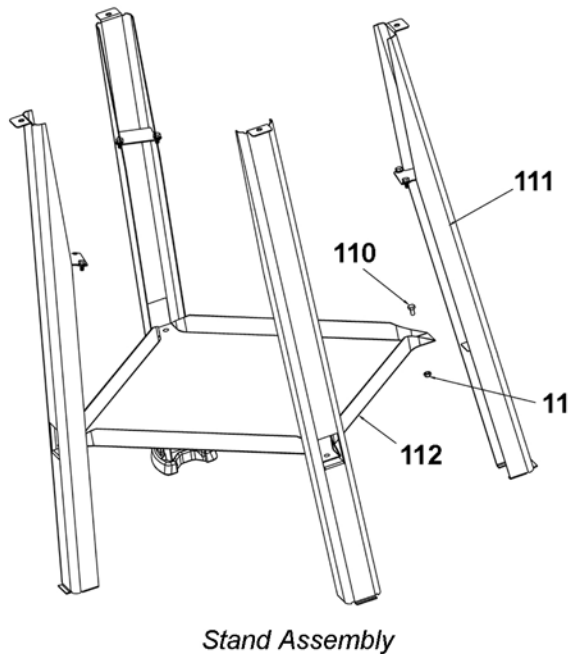
Index No.	Part No.	Description	Size	Qty
11	TS-1540041	Hex Nut	M6	1
24	TS-1551041	Lock Washer	M6	4
25	TS-1550041	Flat Washer	M6	34
59	TS-1541021	Nylon Insert Lock Nut	M6	16
60	TS-1482041	Hex Cap Screw	M6x20	8
101	TS-1503071	Socket Head Cap Screw	M6x30	4
103	708315-103	Spacer		4
110	TS-1482021	Hex Cap Screw	M6x12	16
117	TS-1540061	Hex Nut	M8	2
118	708315-118	Extension Bracket		6
119	708315-119	Main Table		1
120	TS-1533032	Pan Head Screw	M5x10	2
121	708315-121	Table Insert		1
122	708315-122	Special Table Screw		4
123	TS-1504041	Socket Head Cap Screw	M8x20	1
124	TS-1504121	Socket Head Cap Screw	M8x60	1
125	708315-125	Front Rail		1
126	708315-126	Rail Cap		2
127	708315-127	Brass Screw (Grounding)	M5x8	1
128	708315-128	External Tooth Lock Washer	M5	1
129	708315-129	Leg		4
130	708315-130	Rear Panel		1
131	708315-131	Self-Tapping Screw	M4x14	7
132	708315-132	Strain Relief		1
133	708315-133	Lock Knob		6
134	708315-134	Right Side Panel		1
135	708315-135	Lock Knob		1
136	708315-136	Threaded Stud		4
137	708315-137	Grommet		1
138	708315-138	Left Side Panel		1
139	708315-139	Arbor Nut Wrench		1
140	708315-140	Open End Wrench		1
141	708818	Push Stick		1
142	TS-2286202	Pan Head Screw	M6x20	16
143	708315-143	Front Panel		1
144	708315-144	Front Plate		1
145	708315-145	Bevel Rack		1
146	TS-2284081	Flat Head Screw	M4x8	9
147	708315-147	Lock Knob		1
148	708315-148	Spring		1
149	708315-149	Hand Wheel		1
150	708315-150	Handle		1
151	708315-151	Circuit Breaker (Overload) Switch		1
152	708315-152	Wire		1
153	708315-153	On/Off Switch		1
154	708315-154	Rubber Gasket		1
155	708315-155	Switch Box		1
156	708315-156	Power Cord		1
157	708315-157	Rubber Foot		4

Main Saw – Assembly



Stand Assembly

Index No.	Part No.	Description	Size	Qty
.....	708315-SA	Stand Assembly (Complete)
11	708315-158	Flanged Hex Nut	M6	12
110	TS-1482021	Hex Cap Screw	M6x12	12
111	708315-111	Leg	4
112	708315-112	Shelf	1



Steel Wing Assembly

Index No.	Part No.	Description	Size	Qty
.....	708315-SSEWA	Stamped Steel Extension Wing Assembly (Complete)
113	708315-113	Stamped Steel Extension Wing	1
114	TS-1490041	Hex Cap Screw	M8x25	2
115	TS-2361081	Lock Washer	M8	2
116	TS-1550061	Flat Washer	M8	2
117	TS-1540061	Hex Nut	M8	2

Accessories

Index No.	Part No.	Description	Size	Qty
159	708315-159	Dust Shroud



WMH Tool Group
2420 Vantage Drive
Elgin, Illinois 60123
Phone: 800-274-6848
www.wmhtoolgroup.com

JET[®]

WMH TOOL GROUP

Instrucciones de operación y Manual de repuestos

Sierra de mesa de 10 pulgadas

Número de inventario: 708315BTA, -BTB, -BTC, -LSA, -LSB



708315BTA Sierra de mesa

WMH TOOL GROUP

2420 Vantage Drive
Elgin, Illinois 60123
Ph.: 800-274-6848
www.wmhtoolgroup.com

ENGLISH – PAGE 1

Número de parte M-708315
Revisión D 08/05
Copyright © WMH Tool Group

Este manual ha sido preparado para los propietarios y operadores de la Sierra de mesa 708315. Su propósito, además de conocer la operación de la máquina, es promover la seguridad mediante el uso de procedimientos de operación y mantenimiento que sean correctos. Lea todas las instrucciones de seguridad y mantenimiento antes de operar o efectuar el servicio de mantenimiento de esta máquina. Lea este manual detenidamente y siga todas las instrucciones con cuidado para lograr el máximo de rendimiento y eficacia de la Sierra de mesa JET.

Garantía

WMH Tool Group garantiza todos sus productos. En caso de que necesite mantenimiento o reparaciones para alguna de nuestras herramientas, alguno de nuestros talleres autorizados para efectuar reparaciones en Estados Unidos puede ofrecerle un servicio rápido.

En la mayoría de los casos, alguno de los talleres de reparaciones de WMH Tool Group puede autorizar la reparación bajo garantía, ayudarle a obtener partes o hacer el mantenimiento de rutina y reparaciones mayores de las herramientas JET, Wilton o Powermatic.

Para obtener el nombre de un Taller de Reparaciones Autorizado (*Authorized Repair Station*) en su zona, sírvase llamar al 1-800-274-6848 o visítenos en www.wmhtoolgroup.com.

Más información

WMH Tool Group incorpora constantemente nuevos productos a su línea. Consulte a uno de los distribuidores locales de WMH Tool Group o visítenos en www.wmhtoolgroup.com para obtener información actualizada sobre nuestros productos.

Garantía de WMH Tool Group

WMH Tool Group (incluso las marcas JET, Wilton y Powermatic) se esmeran todo lo posible para garantizar que sus productos cumplan con el más alto grado de calidad y durabilidad, y garantiza al consumidor/comprador original que cada uno de sus productos está libre de todo defecto de material y mano de obra de la siguiente manera: GARANTÍA LIMITADA DE 1 AÑO PARA TODOS LOS PRODUCTOS SALVO QUE SE ESPECIFIQUE LO CONTRARIO. Esta Garantía no corresponde a aquellos defectos que sean consecuencia directa o indirecta del mal uso, abuso, negligencia o de accidentes, desgaste normal, reparaciones o alteraciones fuera de nuestras instalaciones o a la falta de mantenimiento.

WHM TOOL GROUP LIMITA TODAS LAS GARANTÍAS IMPLÍCITAS AL PERÍODO ESPECIFICADO ANTERIORMENTE, A PARTIR DE LA FECHA DE COMPRA DEL PRODUCTO EN UNA TIENDA MINORISTA. SALVO QUE SE INDIQUE LO CONTRARIO, TODA GARANTÍA IMPLÍCITA O DE COMERCIALIZACIÓN Y DE APTITUD QUEDAN EXCLUIDAS. ALGUNOS ESTADOS PROHÍBEN LA LIMITACIÓN DE LA VIGENCIA DE LAS GARANTÍAS IMPLÍCITAS, POR LO TANTO, ES POSIBLE QUE LA PRESENTE LIMITACIÓN NO CORRESPONDA A SU CASO. WHM TOOL GROUP NO SERÁ RESPONSABLE EN CASO ALGUNO POR MUERTE, LESIONES PERSONALES O DAÑOS MATERIALES, NI POR DAÑOS FORTUITOS, CONTINGENTES, ESPECIALES O DERIVADOS QUE PUEDAN SURGIR POR EL USO DE NUESTROS PRODUCTOS. ALGUNOS ESTADOS PROHÍBEN LA EXCLUSIÓN O LIMITACIÓN DE DAÑOS FORTUITOS O DERIVADOS, POR LO TANTO, ES POSIBLE QUE LA LIMITACIÓN O EXCLUSIÓN ANTERIOR NO CORRESPONDA A SU CASO.

Para utilizar esta garantía, deberá enviar el producto o parte para su inspección, con franqueo prepagado, a un Taller de reparaciones autorizado que le indiquen nuestras oficinas. La mercadería deberá estar acompañada por el comprobante de la fecha de compra y una explicación del problema. Si nuestra inspección detecta algún defecto, se reparará o repondrá el producto, o bien, en el caso de que no podamos efectuar su reparación o reposición, se le reembolsará el precio de compra del producto, si usted está dispuesto a aceptarlo. La devolución del producto reparado o nuevo se hará a cuenta de WMH Tool Group, pero si se determina que no existe defecto alguno, o bien que el defecto se debe a causas fuera del alcance de la garantía de WMH Tool Group, entonces el usuario deberá correr con los gastos de almacenaje y devolución del producto. Esta garantía le otorga derechos legales específicos; es posible que tenga otros derechos que varían de un estado a otro.

WMH Tool Group vende sus productos únicamente a través de sus distribuidores. WMH Tool Group se reserva el derecho a cambiar o modificar las partes, acoples y accesorios que estime necesarios, por cualquier motivo y en cualquier momento, sin previo aviso.

Índice

Garantía	42
Advertencia!	44
Prevención de contragolpes.....	46
Consejos prácticos para protegerse contra los contragolpes.....	46
Especificaciones	47
Definiciones y terminología	47
Contenido	48
Contenido de las cajas	48
Herramientas necesarias (no incluidas).....	48
Armado.....	50
Para empezar	50
Montaje del estante	51
Pies de caucho	51
Cubierta contra el polvo.....	52
Instalación del resguardo de la hoja y placa abridora.....	53
Alineación del resguardo de la hoja y placa abridora	53
Hoja de la sierra	54
Ajuste de la guía para cortar al hilo.....	54
Calibrado de la escala de la guía para cortar al hilo	54
Prolongación de la mesa en acero estampado.....	55
Prolongación deslizante de la mesa.....	56
Prolongación de la escala izquierda.....	57
Prolongación de la escala derecha	57
Soporte izquierdo para la mesa, opcional	58
Rueda de mano	58
Parada positiva de 90 grados.....	59
Calibrado de la escala	59
Ajuste de la hoja paralela a las ranuras del calibre de ingletes	60
Cambio de la Hoja	61
Reemplazo/Ajuste de la Correa de Accionamiento.....	61
Conexiones Eléctricas.....	63
Controles de Operación	63
Parada positiva de 45 grados.....	59
Operación del calibre de ingletes	62
Operaciones	64
Sierras de mesa	64
Contragolpes.....	64
Cortes al hilo	65
Cortes transversales	66
Operaciones de bisel e inglete	67
Recolección del polvo	68
Dispositivos de seguridad	68
Tabla escalonada	68
Pieza de madera de empuje	68
Pieza de relleno.....	69
Mantenimiento.....	69
Limpieza	69
Lubricación	69
Varios.....	69
Identificación y solución de problemas	70
Partes	71

Las especificaciones que aparecen en este manual se ofrecen como información general y no son vinculantes. WMH Tool Group se reserva el derecho a cambiar o modificar las partes, acoples y accesorios que estime necesarios, por cualquier motivo y en cualquier momento, sin previo aviso.



Advertencia!

1. Lea y entienda bien todo el manual del propietario antes de comenzar con el armado o de operar la sierra.
2. Lea cuidadosamente las advertencias adheridas a la máquina y que figuran en este manual. El incumplimiento de estas advertencias puede causar lesiones graves.
3. Reemplace las etiquetas de advertencia si se oscurecen o si se desprenden.
4. Esta sierra de mesa está diseñada para ser usada por personal capacitado y con experiencia. No use este equipo si no está familiarizado con la operación correcta y segura de una sierra de mesa o hasta haber recibido la capacitación y los conocimientos necesarios.
5. No use la sierra de mesa para ningún otro fin que no sea el previsto. En caso de usar con otros fines, WMH Tool Group no asume responsabilidad alguno por toda garantía real o implícita y se mantiene indemne de cualquier lesión que pueda producirse por dicho uso.
6. Use siempre gafas de seguridad o careta de protección aprobadas cuando use la sierra de mesa. Las gafas comunes sólo tienen lentes resistentes a los impactos; no son gafas de seguridad.
7. Antes de operar la sierra de mesa, quítese la corbata, los anillos, relojes y cualquier otro tipo de alhaja. Arremánguese la camisa hasta arriba de los codos. Quítese toda ropa suelta y sujete el cabello largo. Se recomienda el uso de calzado con suela antideslizante y tiras de material antideslizante para el piso. **No** use guantes.
8. Siempre use el resguardo de la hoja en todas las operaciones de “aserrado total”. Una operación de aserrado total consiste en pasar la hoja completamente a través de la pieza de trabajo para cortarla.
9. Los contragolpes se producen cuando la pieza de trabajo retrocede hacia el operador a alta velocidad. ¡Si no comprende claramente lo que significa un contragolpe y cómo se produce, **NO** opere la sierra de mesa!
10. Protéjase los oídos con tapones o tapaorejas si los períodos de operación son prolongados.
11. Algunos trabajos de construcción realizados con herramientas eléctricas, por ejemplo: lijar, aserrar, afilar, esmerilar y taladrar, entre otros, producen polvo que contiene sustancias químicas. Se ha demostrado que estas sustancias químicas causan cáncer, defectos de nacimiento y otros problemas congénitos. A continuación incluimos algunos ejemplos de estas sustancias:
 - Plomo, de las pinturas con base de plomo.
 - Sílice cristalina, de ladrillos, cemento y otros productos de albañilería.
 - Arsénico y cromo de maderas tratadas con productos químicos.
12. Su riesgo a la exposición varía según la frecuencia con que realice este tipo de trabajo. Para reducir su exposición a estos productos químicos, trabaje en un área bien ventilada y use un equipo de seguridad aprobado, como máscaras protectoras contra el polvo especialmente diseñadas para filtrar partículas microscópicas
13. No opere esta máquina cuando esté cansado o bajo la influencia de drogas, alcohol o cualquier medicamento.
14. Asegúrese de que el interruptor esté apagado (posición **OFF**) antes de conectar la máquina a la fuente de alimentación.
15. Asegúrese de que la máquina esté correctamente conectada a tierra.
16. Haga todos los ajustes o mantenimiento con la máquina desenchufada de la fuente de alimentación.
17. Retire todos las llaves y herramientas de ajuste. Acostúmbrase a comprobar que todas las llaves o herramientas de ajuste se hayan retirado de la máquina antes de encenderla.
18. Mantenga los resguardos de seguridad en su lugar cuando use la máquina. Si los retira para las tareas de mantenimiento, tome las debidas precauciones y reponga los resguardos inmediatamente.



Advertencia!

19. Asegúrese de que la sierra de mesa está bien afianzada al piso o al banco antes de usarla.
20. Inspeccione las partes dañadas. Antes de continuar con el uso de la máquina, se deberá inspeccionar el resguardo o cualquier otra parte dañada para determinar que funcionará correctamente y realizará las funciones en la forma prevista. Verifique el alineamiento de las partes móviles, el atascamiento de partes móviles, rotura de piezas, montaje o cualquier otra condición que pueda afectar la operación. Los resguardos o cualquier otra pieza dañada se deben reparar o cambiar.
21. Proporcione un espacio adecuado alrededor del área de trabajo con iluminación alta que sea antirreflejo.
22. Mantenga limpio el piso alrededor de la máquina, sin desechos de material, aceite o grasa.
23. Mantenga a los visitantes alejados del área de trabajo. **Mantenga a los niños alejados.**
24. Prepare el taller para que quede a prueba de niños: use candados, interruptores maestros o quite las llaves de los dispositivos de arranque.
25. Concéntrese en su trabajo. No se distraiga. Al distraerse y alejar la vista, conversar o "payasear", cometerá un acto de descuido que puede causar lesiones graves.
26. Mantenga el equilibrio en todo momento para no caer sobre la hoja u otras partes móviles. No se estire demasiado ni use demasiada fuerza para realizar cualquier operación con la máquina.
27. Utilice la herramienta adecuada con la velocidad correcta y con una velocidad de alimentación apropiada. No fuerce la herramienta ni el accesorio utilizándolos en trabajos para los cuales no fueron diseñados. La herramienta adecuada funcionará mejor y será más segura.
28. Utilice los accesorios recomendados; los accesorios incorrectos pueden ser peligrosos.
29. Mantenga las herramientas con cuidado. Mantenga las hojas de la sierra afiladas y limpias para lograr un mejor funcionamiento sin correr peligros. Siga las instrucciones de lubricación y cambio de accesorios.
30. Apague la máquina antes de limpiarla. Use un cepillo o aire comprimido para quitar las virutas o desechos: no use las manos.
31. Nunca se pare sobre la máquina. Si la máquina se vuelca puede causar lesiones graves.
32. Nunca deje de vigilar una máquina que esté funcionando. Apáguela y no deje de vigilar la máquina hasta que se detenga por completo.
33. Retire del área todos los artículos sueltos y piezas de trabajo innecesarios antes de arrancar la máquina.

Familiarícese con los siguientes avisos de seguridad utilizados en este manual:

PRECAUCIÓN Este aviso significa que el hecho de no prestar atención a estas precauciones puede causar lesiones leves y posiblemente daño a la máquina.

ADVERTENCIA! Este aviso significa que el hecho de no prestar atención a estas precauciones puede causar lesiones graves, hasta la muerte.

⚠ ¡ADVERTENCIA! Según las estadísticas, los accidentes más comunes entre los operadores de sierras de mesa están relacionados con el contragolpe: la expulsión a alta velocidad del material de la mesa que puede golpear al operador. Un contragolpe también puede empujar las manos del operador hacia la hoja.

Prevención de contragolpes

Consejos útiles para evitar las causas más comunes del contragolpe:

- Asegúrese de que la placa abridora esté siempre alineada con la hoja. Si la placa abridora no está alineada, la pieza de trabajo se puede atascar o parar el flujo del corte y causar un contragolpe.
- Use la placa abridora en todos los cortes. La placa abridora mantiene la entalla de la pieza de trabajo, lo que reducirá la posibilidad de un contragolpe.
- Nunca trate de cortar a pulso. Se debe alimentar la pieza de trabajo en forma totalmente paralela a la hoja, de lo contrario puede causar un contragolpe. Use siempre la guía para cortar al hilo, o transversalmente a la pieza de trabajo.
- Asegúrese de que la guía para cortar al hilo esté paralela a la hoja. De no ser así, habrá muchas posibilidades de que se produzca un contragolpe. Inspeccione bien todo y ajuste la guía para cortar al hilo.
- Alimente los cortes hasta terminarlos. Cada vez que deja de alimentar el material de trabajo en la mitad de un corte, aumenta la posibilidad de atascamiento, lo que puede causar un contragolpe.

Consejos prácticos para protegerse contra los contragolpes

Los contragolpes pueden producirse, aun cuando se tomen precauciones para evitarlos. A continuación figuran algunos consejos prácticos que se deben *seguir siempre* para protegerse en caso de que OCURRA un contragolpe.

- Párese a un lado de la hoja cuando efectúe un corte. Una pieza de trabajo expulsada sale directamente en frente de la hoja.
- Use gafas de seguridad o una careta de protección. La cara y las manos son las partes más vulnerables del cuerpo.
- Nunca coloque las manos detrás de la mesa. En caso de un contragolpe, la mano del operador entrará en contacto con la hoja.
- Use una pieza de madera de empuje para mantener las manos lo más alejadas posible de la hoja en movimiento. En caso de un contragolpe, la pieza de madera de empuje recibirá todo el daño que hubiera recibido su mano.

⚠ ¡ADVERTENCIA! Lea y entienda bien todo el material que aparece en este manual antes de comenzar con el armado y la operación de la sierra. ¡El incumplimiento de esta advertencia puede causar lesiones graves!

Especificaciones

Números de inventario	708315BTA, -BTB, -BTC, -LSA, -LSB
Diámetro de la hoja	10"
Diámetro de la mandril	5/8"
Inclinación de la hoja.....	izquierda, 90 – 45°
Profundidad máxima de corte a 90°.....	3"
Profundidad máxima de corte a 45°.....	2-1/2"
Capacidad del corte de mortaja	1/2"
Altura de la mesa (con soporte).....	35"
Dimensiones de la mesa principal	28" ancho x 18" profundidad
Tamaño de la prolongación (aluminio).....	5 1/2" ancho x 18" profundidad
Tamaño de la prolongación (chapa de metal)	8" ancho x 18" profundidad
Velocidad de la hoja (sin carga).....	5000 RPM
Motor	120 VCA, 60Hz
Peso bruto (BTA)	57 libras
Peso neto (BTA).....	50 libras

Definiciones y terminología

Mandril: Eje de metal que conecta el mecanismo de arrastre con la hoja.

Corte en bisel: Inclinación del eje de la sierra y de la hoja de 0° a 45° para realizar una operación de corte en ángulo.

Protección de la hoja: Mecanismo montado sobre la hoja de la sierra para evitar el contacto accidental con el borde de corte.

Corte transversal: Corte donde se usa el calibre de ingletes para cortar transversalmente a la veta de la pieza de trabajo.

Hoja para cortar mortajas: Hojas que se utilizan para cortar mortajas y rebajos.

Corte de mortaja: Ranura de fondo plano en la cara de una pieza de trabajo realizada con una hoja para cortar mortajas.

Tabla escalonada: Dispositivo que se utiliza para mantener una tabla contra la guía para cortar al hilo o la mesa que permite colocar las manos alejadas de la hoja.

Entalla: El corte o la separación que hace la hoja.

Contragolpe: Cuando se levanta la pieza de trabajo y retrocede hacia el operador, a causa de un atascamiento en la hoja o entre la hoja y la guía para cortar al hilo (u otro objeto fijo). Para evitar las lesiones a causa de contragolpes o para reducirlos a un mínimo, consulte la sección *Instrucciones de operación*.

Calibre de ingletes: Un componente que controla el movimiento de la pieza de trabajo cuando se realiza un corte transversal angulado.

Corte parcial: Una operación de aserrado que requiere quitar el resguardo de la placa abridora de la hoja para obtener un corte que no

sobresalga de la parte superior de la pieza de trabajo (incluye cortes con hojas de mortajas y rebajo).

El resguardo de la hoja y la placa abridora deben volver a instalarse después de una corte parcial para evitar el contacto accidental con la hoja durante la operación de la máquina.

Paralelo: Posición de la guía para cortar al hilo en forma equidistante de la cara de la hoja en todos sus puntos.

Perpendicular: La intersección o posición de los planos horizontal y vertical en un ángulo de 90° (ángulo recto) como la posición de la sierra (vertical) con respecto a la superficie de la mesa (horizontal).

Pieza de madera de empuje: Un instrumento que se utiliza para empujar sin peligro la pieza de trabajo durante la operación de corte.

Rebajo: Una operación de corte que crea un canal en forma de L a lo largo del borde la tabla.

Corte al hilo: Un corte que se hace en el sentido de la veta de la pieza de trabajo.

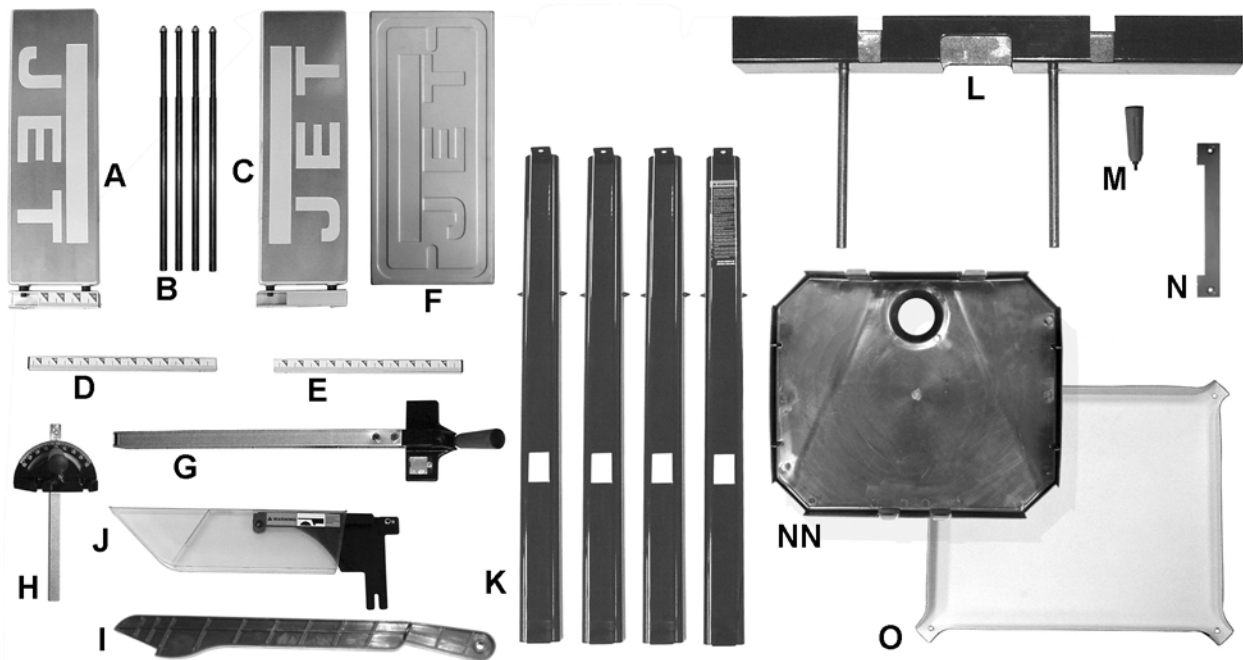
Placa abridora: Placa de metal acoplada al resguardo de la hoja que mantiene la entalla abierta en la pieza de trabajo mientras se realiza una operación de corte.

Entalla estándar: Separación de 1/8 pulgada hecha con una hoja estándar.

Escuadra: Una herramienta que se utiliza para controlar que la superficie esté plana o paralela.

Aserrado total: Una operación de aserrado en donde se corta todo el espesor de la pieza de trabajo. Por lo general, la altura correcta de la hoja permite que la parte superior de la hoja se extienda por sobre la pieza de madera.

Contenido



Contenido de las cajas

Contenido de las cajas

El contenido está determinado por el *modelo* de su compra e indicado en las *tres letras de sufijo* del número de inventario 708315.

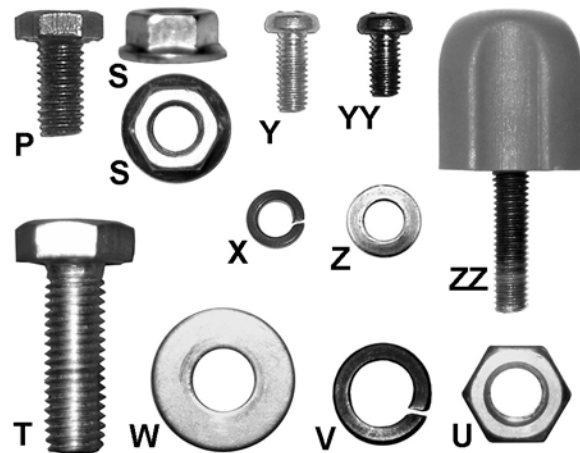
Saque todas las piezas de la caja. Mantenga la mesa de la sierra con las patas hacia arriba. No deseche el material de embalaje hasta que la sierra esté totalmente armada y funcionando satisfactoriamente.

Importante: El material de embalaje colocado adentro de la sierra proporciona soporte al motor durante el envío y *se debe quitar*.

Compare el contenido de la caja contra la *Tabla de contenido* (página siguiente) de su modelo en particular. El *N.º índice* en la tabla, corresponde a los artículos que se muestran arriba y es la clave que se utiliza para identificar cada parte.

Herramientas necesarias (no incluidas)

- ❑ Llave hexagonal de 5 mm (1)
- ❑ Llave hexagonal de 6mm (1)
- ❑ Llave hexagonal de 14mm (2)
- ❑ Llaves de 10 mm (2) o Llaves de 10mm y manguito de 10 mm (1)
- ❑ Destornillador de punta en cruz (1)



Contenido de la bolsa de tornillería
(tamaño real)



Mandril con la llave

Llave para tuerca del mandril

Herramientas para quitar la hoja

Contenido

Núm. de Índice	Núm. de parte	Descripción	Cantidad				
			BTA	BTB	BTC	LSA	LSB
--		Sierra de mesa	1	1	1	1	1
A	708315-LEA	Ensamble de la prolongación izquierda de la mesa					1
B	708315-105	Varilla de prolongación			2	2	4
C	708315-REA	Ensamble de la prolongación derecha de la mesa			1	1	1
D		Prolongación de la escala izquierda					1
E		Prolongación de la escala derecha			1	1	1
F	708315-113	Prolongación de la mesa en acero estampado		1			
G	708315-RFA	Guía para cortar al hilo	1	1	1	1	1
H	708315-MGA	Calibre de ingletes MGA	1	1	1	1	1
I	708818	Pieza de madera de empuje	1	1	1	1	1
J	708315-BGA	Ensamble del resguardo de la hoja	1	1	1	1	1
K	708315-111	Pata				4	4
L	708315-RSA	Ensamble del soporte trasero		1	1	1	1
M	708315-150	Manija	1	1	1	1	1
N	708315-121A	Accesorio de inserción de la hoja para mortajas	1	1	1	1	1
NN	708315-159	Cubierta contra el polvo					1
O	708315-112	Estante				1	1
P	TS-1482021	Tornillo de cabeza hexagonal M6x12				12	12
S	708315-158	Tuerca de brida hexagonal M6				16	16
T	TS-1490041	Tornillo de cabeza hexagonal M8x25		2			
U	TS-1540061	Tuerca hexagonal M8		2			
V	TS-2361081	Arandela de bloqueo M8		2			
W	TS-1550061	Arandela plana M8		2			
X	TS-1551021	Arandela de bloqueo M4			2	2	4
Y	TS-1532032	Tornillo de cabeza plana M4x10			2	2	4
Z	TS-1550021	Arandela plana M4			2	2	4
ZZ	708315-134	Perilla de fijación	6	4	6	6	6
	708315-140	Llave del mandril	1	1	1	1	1
	708315-139	Llave para tuerca del mandril	1	1	1	1	1

Tabla de contenido

Armado

⚠ ¡ADVERTENCIA! No enchufe la sierra de mesa a una fuente de alimentación hasta no haber completado todo el armado. ¡El incumplimiento de esta advertencia puede causar lesiones graves!

Para empezar

Cada sección de armado comienza con una lista de los modelos que corresponden a ese procedimiento de armado. El punto de inicio para su modelo en particular, es el siguiente:

Modelos LSA, LSB: empiece con el *Armado de las patas*.

Modelos BTA, BTB, BTC: comience con la *Instalación del resguardo de la hoja y placa abridora* que aparece en la página 12.

Armado de las patas

Modelos LSA, LSB

Siga estas instrucciones para el *Armado de las patas* si piensa usar la sierra como modelo de piso. Si piensa usar la sierra para aplicaciones sobre el banco, pase por alto esta sección y continúe con la sección *Prolongación de la mesa*.

Herramientas necesarias: llave y manguito de 10 mm

Consulte las Figuras 1 y 2:

Tornillería necesaria para cada pata: dos tornillos de cabeza hexagonal M6x12 (C) y tres tuercas de brida hexagonales M6 (F).

1. Con la sierra en el piso, patas hacia arriba, retire los cuatro pies de caucho (A) de cada una de las esquinas de la base.
2. Tome una *pata* (b) y colóquela de manera que la *pestaña exterior* (G), con el agujero de montaje, quede hacia abajo.
3. Monte una pata en una esquina de la base de la sierra, de manera que la *pestaña exterior* (G) se alinee con el *tornillo* (H) y los dos agujeros de la *pestaña interior* (J) descansen sobre la las *pestañas de la base* (K) con los agujeros de montaje alineados.

Nota: Se debe montar la pata que tiene una etiqueta que dice **WARNING** (advertencia) en la esquina de la base de la sierra que tiene la otra la etiqueta de Advertencia.

4. Introduzca los dos tornillos de cabeza hexagonal (C) en los agujeros de montaje de la pestaña de la pata (J) y pestaña de la base (K). Asegure con *tuercas de brida hexagonales* (F1). Apriete con la mano únicamente.

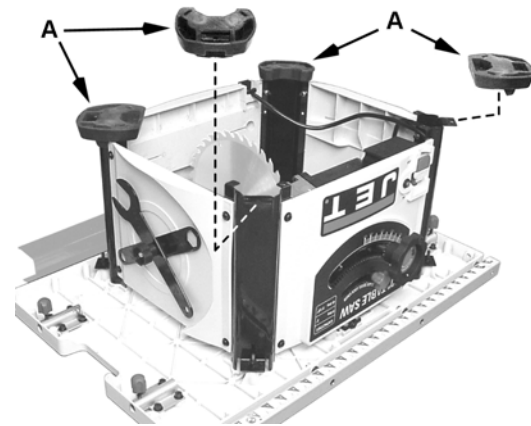


Figura 1

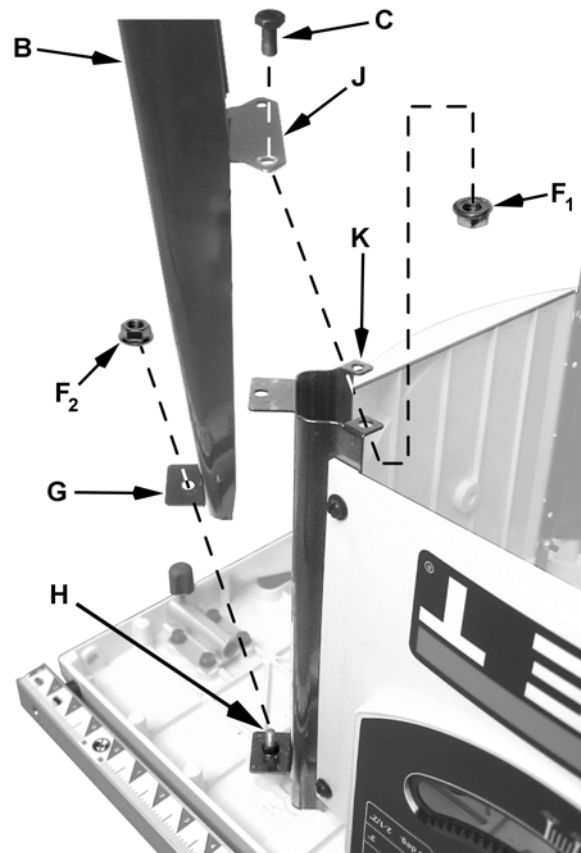


Figura 2

5. Asegure la *pestaña exterior* de la pata (G) al tornillo (H) en la base con una *tuerca de brida hexagonal* (F2). Apriete con la mano únicamente.

Monte otras dos patas de la misma manera descrita en los pasos 1 a 5. *No monte la última pata hasta no haber instalado el estante* como se describe en la próxima sección.

Montaje del estante

Modelos LSA, LSB

Nota: El estante es más fácil de instalar después de haber instalado tres patas. La cuarta parte se deberá colocar *después* de haber completado esta sección.

Tornillería necesaria para armar las cuatro patas: cuatro *tornillos de cabeza hexagonal* M6x12 (F) y cuatro *tuercas de brida hexagonales* M6 (J).

Consulte la Figura 3:

1. Cuando todavía tenga la sierra con las patas hacia arriba, coloque el *estante* (A) entre las tres *patas* (B) y por debajo de las *pestañas de montaje* (D) de las patas. Los *costados* del estante (D) deben quedar mirando hacia abajo.
2. Lleve el estante hacia arriba, colocando las *pestañas* del estante (E) contra la parte inferior de las *pestañas de montaje* de las patas (C) y procure que los agujeros de montaje queden alineados.
3. Desde la parte de abajo del estante, introduzca un *tornillo de cabeza hexagonal* (F) en los agujeros de montaje de las pestañas del estante y de la pata. Asegure la porción roscada del tornillo que sobresale del lado superior de la pestaña de montaje de la pata, con una *tuerca de brida hexagonal* (J), y apriete únicamente con la mano.

Después de que el estante esté bien colocado en las tres patas, arme la última pata (como se describe en la sección anterior) y termine de colocar la última pestaña del estante en la pata.

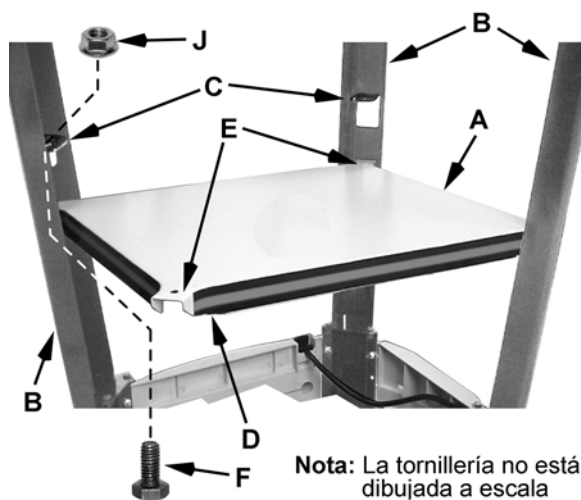


Figura 3

Pies de caucho

Modelos LSA, LSB

Consulte la Figura 4:

Mientras la sierra esté todavía con las patas hacia arriba:

1. Coloque el *pie de caucho* (B) en la *pata* (A), deslizando hacia adelante (1) al mismo tiempo que permite que la *pestaña* trasera (C) de la pata se deslice a través de la *abertura* (D) en el talón del pie de caucho.
2. Empuje el pie hacia abajo (2) hasta que encaje a presión en la pata.
3. Repita estos pasos para el resto de las patas.

Ahora puede dar vuelta la sierra. Coloque en una superficie nivelada y apriete todos los tornillos del conjunto de las patas y estante.

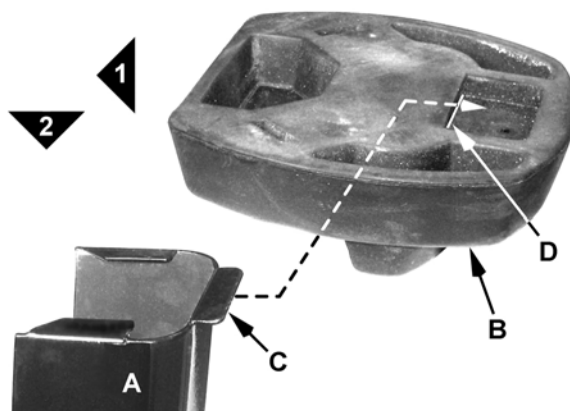


Figura 4

Cubierta contra el polvo

Modelo LSB únicamente

Nota: Instale la cubierta contra el polvo únicamente si se utiliza un sistema de recolección o aspiración de polvo por separado.

Consulte la figura 5:

1. Coloque la *cubierta contra el polvo* (A) dentro de las patas con el puerto (B) hacia la parte trasera de la sierra y mirando hacia abajo, según se ilustra.
2. Lleve la parte delantera de la cubierta hacia arriba de manera que las *pestañas* (C) se enganchen en el reborde (D) de la base, para fijarlo en su lugar. Las aberturas de las esquinas de la cubierta (E) debe envolver las *pestañas* (F) de las patas.
3. Presione la parte trasera de la cubierta hasta que las pestañas de atrás encajen contra el reborde en la parte trasera de la base.

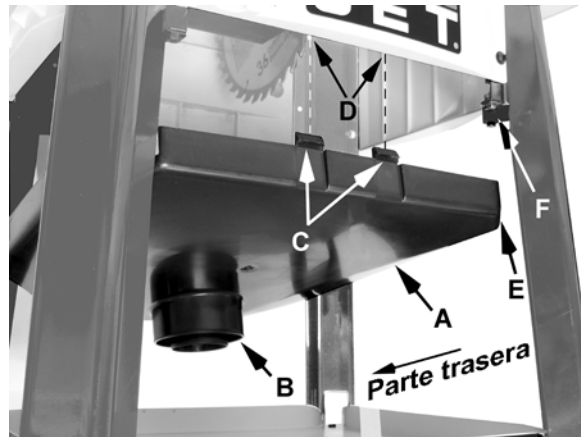


Figure 5

Instalación del resguardo de la hoja y placa abridora

Todos modelos

Consulte la Figura 6:

Si la sierra de mesa vino con un *soporte trasero* (C), la instalación y alineación del *resguardo/placa abridora de la hoja* será más fácil si se afloja y desliza el soporte trasero hacia afuera.

1. Afloje la tuerca hexagonal (C) del montante del soporte del abridor (E) para que quede suficiente luz para el ensamble del resguardo de la hoja y placa abridora (paso siguiente).
2. Tome el *ensamble del resguardo de la hoja y placa abridora* y deslice la *pestaña* de la placa abridora (B y F) sobre el tornillo del *montante del soporte de la placa abridora* (E) entre la *arandela plana* (D) y el *montante* (E).
3. Apriete la tuerca hexagonal (C) lo suficiente como para que sostenga el ensamble del resguardo de la hoja y la placa abridora en su lugar.

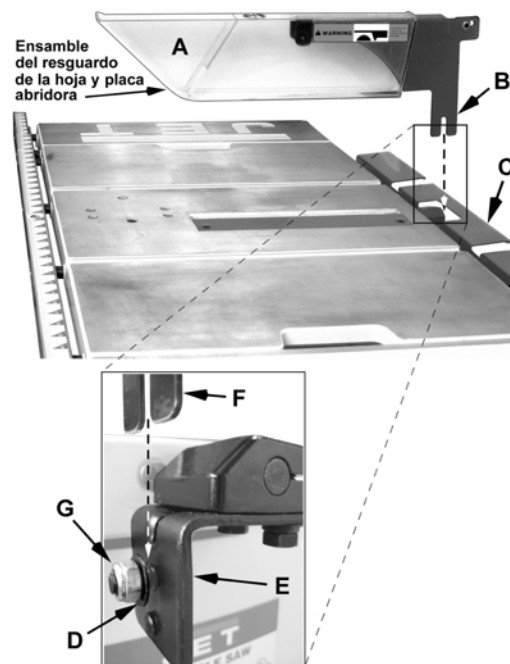


Figura 6

Necesitará algunos ajustes tal como se describe en la sección *Ajuste* (consulte *Alineación del resguardo de la hoja y placa abridora*).

Alineación del resguardo de la hoja y placa abridora

Todos modelos

Consulte la Figuras 7 y 8:

1. Suba el *resguardo de la hoja* (B) de la mesa.
2. Coloque la regla (E) contra el lado derecho de la *hoja* (F) como se muestra en la Figura. Para colocar la regla en su lugar deberá levantar los *trinquetes anticontragolpes* (D) temporalmente.

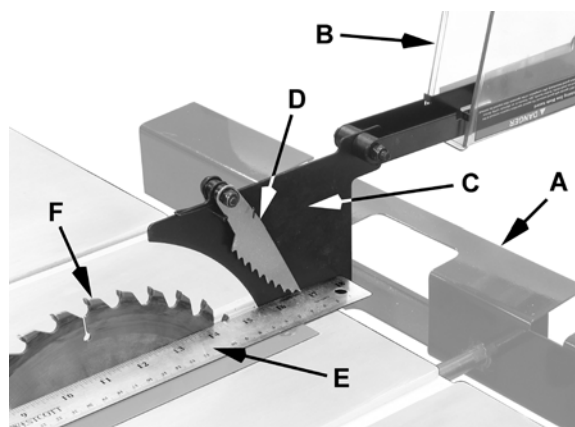


Figura 7

Nota: La regla debe descansar contra el cuerpo de la hoja y no contra los dientes.

3. Con una llave de 10 mm, afloje los dos *tornillos de cabeza hexagonal* (H) asegurando el *soporte de la placa abridora* (G) y ajuste la *placa abridora* (C) hacia los costados hasta que quede alineada con la *hoja* (F).
4. Apriete los *tornillos de cabeza hexagonal* (H).

Asegúrese de que la *placa abridora* (C) esté nivelada con la mesa y a aproximadamente 1/8 pulgada sobre la mesa. Un espacio de 1/8 pulgada permite inclinar el ensamble de resguardo de la hoja a un ángulo de 45° sin que entre en contacto con la mesa.

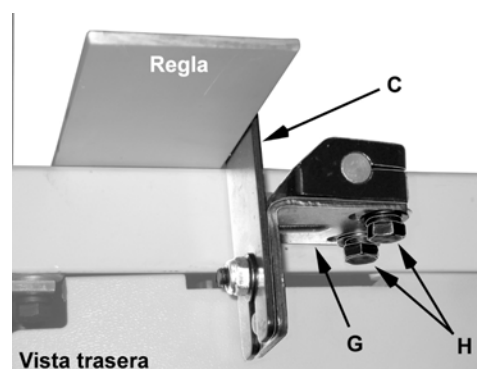


Figura 8

En caso de que la placa abridora necesite ajuste:

5. Use dos llaves de 10 mm para aflojar el ensamble de la *tuerca y tornillo* (J), ajuste el *abridor* (C) a 1/8 pulgada sobre la mesa.

Apriete la tornillería.

Use una escuadra para verificar que la placa abridora esté perpendicular a la superficie de la mesa y ajuste tal como sea necesario.

Hoja de la sierra

Todos modelos

La sierra de mesa 708315 viene con una hoja instalada en fábrica. Para reemplazar la hoja, consulte *Reemplazo de la hoja* en la sección *Ajustes*.

Ajuste de la guía para cortar al hilo

Todos modelos

Consulte la Figura 9:

1. Suba la *manija* (A) de la guía para cortar al hilo, tal como se muestra.
2. Coloque la *guía para cortar al hilo* (B) sobre la *mesa* (C) como se muestra, sujetando el extremo delantero al mismo tiempo que engancha la *abrazadera* (D) en la parte de atrás, y luego baje el *extremo delantero* (E) sobre el *riel* (F).
3. Baje la *manija* (A) para que la guía quede sujeta a la mesa.

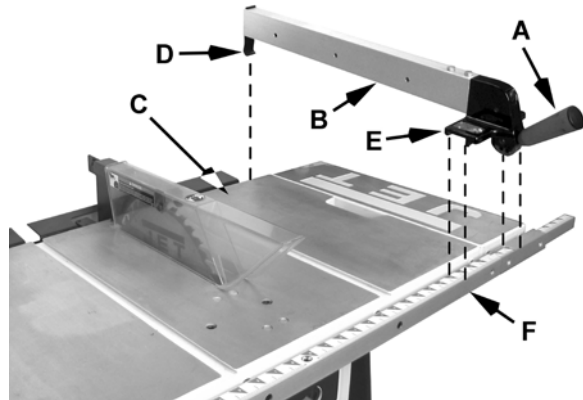


Figura 9

Calibrado de la escala de la guía para cortar al hilo

Todos modelos

1. Acople la *guía para cortar al hilo* a la mesa (como se describe en la sección anterior) a la derecha de la *hoja*, pero no baje la *manija* para sujetar la guía a la mesa.
2. Deslice la *guía* contra la *hoja*.
Deberá levantar el *resguardo de la hoja* y el *trinquete anticongolpes* para dejar lugar para la guía.
3. Con la guía apretada contra la hoja, baje la manija para sujetar la guía en su lugar.

Consulte la Figura 10:

La línea de referencia del *indicador* (A) debe quedar alineada con 0" en el *riel* (C). Si no quedan alineadas:

4. Afloje levemente el *tornillo* (B).
5. Deslice el indicador hasta que la línea de referencia quede alineada con 0" en el *riel* (C).
6. Apriete el tornillo.

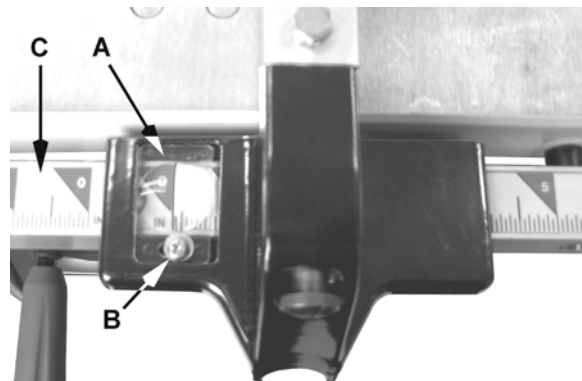


Figura 10

Prolongación de la mesa en acero estampado

Modelo BTB – la prolongación de la mesa debe asemejarse a (A) en la Figura 11.

La prolongación de la mesa en acero estampado se puede montar en el lado derecho o izquierdo de la sierra de mesa. Los pasos a continuación ilustran el lado derecho.

Instalación

Consulte la Figuras 11 y 12:

1. Coloque la *prolongación de la mesa en acero estampado* (A) contra el lado derecho de la *sierra de mesa* (B) de manera que los agujeros queden alineados.
2. Coloque dos *arandelas de bloqueo* M8 (D) y *arandelas planas* (E) en los *tornillos de cabeza hexagonal* M8 (C).
3. Introduzca los tornillos en los agujeros de montaje de la *prolongación de la mesa* (A) y de la *mesa* (B).
4. Asegure con dos *tuercas hexagonales* M8 (F) pero deje el ensamble lo suficientemente flojo para que la prolongación de la mesa se pueda mover a mano para ajustarla.

Ajustes

5. Coloque una *regla* sobre la *mesa* y la *prolongación de la mesa* cerca de la parte delantera como se muestra en la Figura 12.
6. Suba o baje la prolongación hasta que la regla quede completamente plana sobre la superficie de la mesa y de la prolongación.
7. Mueva la regla hasta que quede *cerca de la parte trasera* (A) de la mesa y la prolongación.
8. Repita el paso 6.
9. Cuando la prolongación de la mesa esté alineada con la mesa, tanto en el frente como en la parte trasera, apriete los tornillos (C) y las tuercas hexagonales (F) con dos llaves de 14 mm.

Reposicionamiento del riel delantero

Después de la instalación de la prolongación de la mesa en acero estampado, se debe reposicionar el *riel delantero* para acomodar la guía sobre la prolongación de la mesa. Ello se logra de la siguiente manera:

Figura 13 (F) muestra la posición inicial del riel delantero.

1. Con una llave hexagonal de 5 mm y una llave de extremo abierto de 10 mm, retire el tornillo, el espaciador y la tuerca de bloqueo (ver el

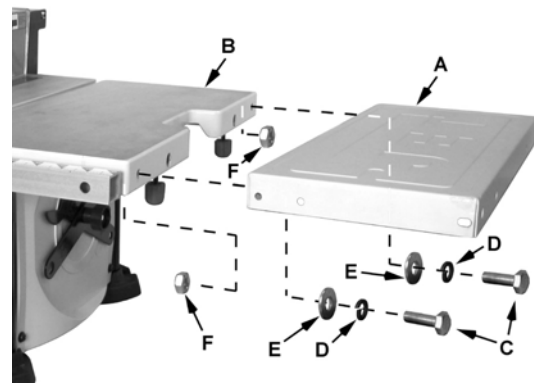


Figura 11

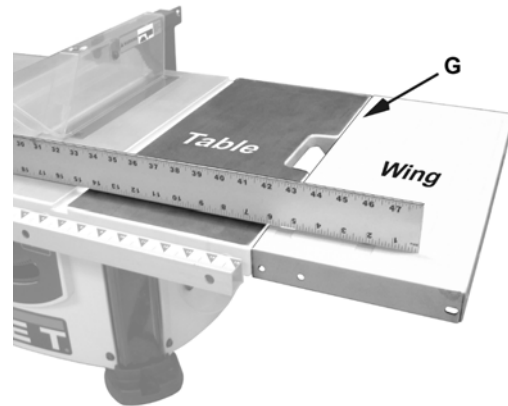


Figura 12

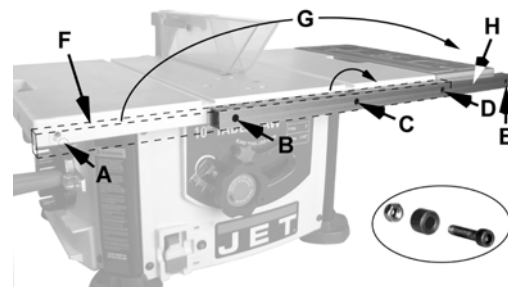


Figura 13

detalle) que aseguran el riel, de los dos agujeros de montaje izquierdos y del extremo derecho (A), (B) y (D).

Nota: No retire los tornillos del tercer agujero de montaje (C).

2. Haga rotar el riel del frente en sentido horario (G) hasta que el *extremo izquierdo* se convierta en el *extremo derecho* de la prolongación de la mesa.
3. Coloque nuevamente los tres tornillos, espaciadores y tuercas de bloqueo para asegurar el frente del riel.

Los tornillos se introducen desde el frente del riel, los espaciadores se colocan entre el riel y la mesa (o la prolongación) y las arandelas de bloqueo se colocan en el tornillo desde la parte de atrás de la pestaña de la mesa (o prolongación).

Prolongación deslizable de la mesa

Prolongación derecha de la mesa utilizada con los Modelos BTC, LSA y LSB. Prolongación izquierda de la mesa, utilizada con el Modelo LSB

Armado

Consulte la Figura 14.

Para las sierras que utilizan *prolongaciones de la mesa deslizables*, las dos *varillas de prolongación* (C) se deben armar antes de montarlas. Las instrucciones para el ensamble para la *prolongación derecha de la mesa* (A), identificada por no tener una regla en el *riel* (J) se describe a continuación. El armado para la prolongación izquierda de la mesa es el mismo.

1. Con dos llaves de 10 mm, retire la *tuerca de bloqueo* (B) de las *varillas de prolongación* (C y D).
2. Vuelque la *prolongación de la mesa* (A) de manera que el logotipo de JET quede boca abajo y los *agujeros de montaje y pestañas* (F, K) estén visibles.
3. Introduzca las varillas (D) en los agujeros de montaje de la prolongación de la mesa (F) y la pestaña (K).

El extremo roscado de la *varilla* (D) debe sobresalir por el agujero de la *pestaña* (K).

4. Coloque las *tuercas de brida hexagonales* (G) en los extremos roscados de las *varillas de prolongación* (D) y no las apriete demasiado para que pueda girar las varillas a mano.
5. Haga girar las varillas de prolongación para que los *agujeros roscados*, ubicados cerca de los extremos opuestos a la mesa de prolongación, estén *en línea* con la superficie de la mesa de prolongación.
6. Asegure las varillas de extensión con dos llaves de 10 mm, colocando una de las llaves en la *tuerca hexagonal* y la otra en las *muecas planas* de la varilla.
7. Repita los pasos anteriores para la prolongación izquierda de la mesa en los modelos que la incluyen.

Montaje del ensamble de la prolongación derecha de la mesa

Modelos BTC, LSA y LSB – la prolongación derecha de la mesa debe asemejarse A en la Figura 15.

Consulte la Figura 15:

1. Seleccione la *prolongación derecha de la mesa* (A), identificada por no tener una regla en el *riel* (B).

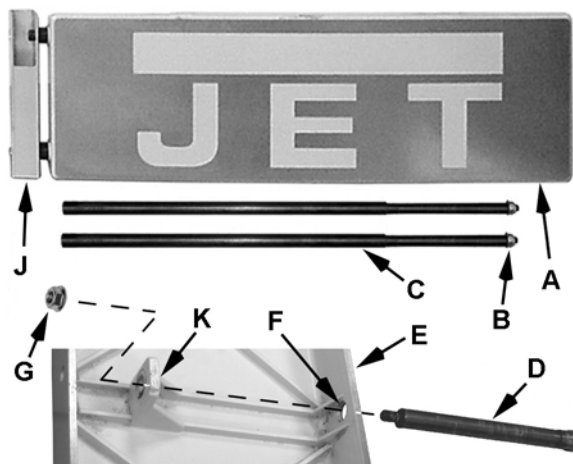


Figura 14

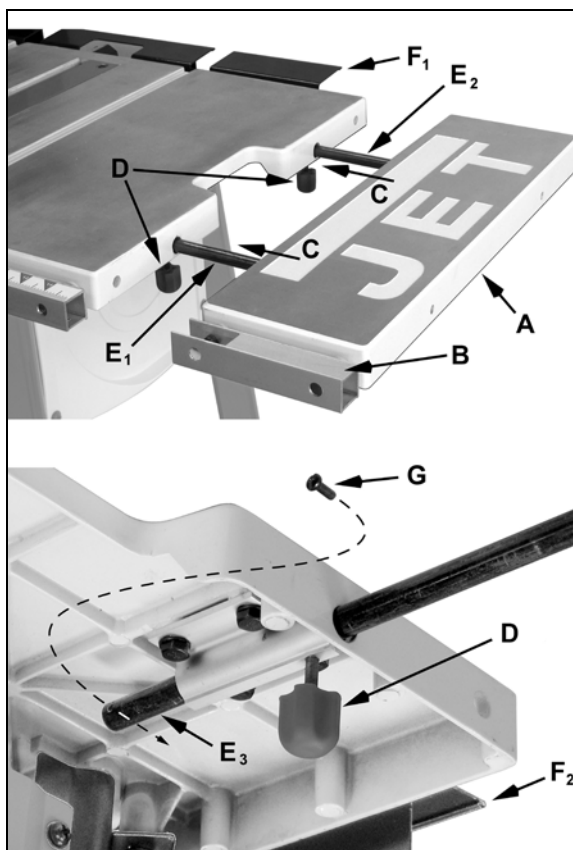


Figura 15

2. Monte la prolongación de la mesa deslizando las varillas de extensión en los agujeros de montaje (C) en el lado derecho de la mesa de la sierra. Quizá deba aflojar las *perillas de fijación* (D).
3. Desde abajo de la mesa, enrosque un *tornillo de cabeza plana* M4x8 (G) en el agujero cerca del extremo de la *varilla de prolongación trasera* (E₃). Esta es la varilla más cercana a la *prolongación trasera* (F₁ y F₂).
4. Apriete las perillas de fijación (D).

Montaje del ensamble de la prolongación izquierda de la mesa

Modelo LSB únicamente

La *prolongación izquierda de la mesa*, identificada por tener una regla en el *riel* (B, Figura 16), se usa únicamente con el *modelo LSB*. El procedimiento de ensamble y armado es el mismo que el que se usa para la prolongación derecha de la mesa (explicado anteriormente).

Prolongación de la escala izquierda

Modelo LSB únicamente

Consulte la Figura 16:

1. De ser necesario, afloje las perillas de fijación de la extensión de la mesa y deslice la *prolongación de la mesa* (D) a ras de la *mesa de la sierra* (E).
2. Tome la *prolongación del riel izquierdo* (A), identificada por la escala de 11" a 21", e introduzca en el *riel de guía de la prolongación izquierda de la mesa* (B) deslizándolo hasta el fondo en el *riel de guía de la mesa* (C).
3. Mire la parte de abajo y córralo hasta que los agujeros de la *prolongación del riel* (A) y del *riel de la mesa* (C) estén alineados.
4. Introduzca dos *tornillos de cabeza plana M4x10* (J), *arandelas de bloqueo M4* (K) y *arandelas planas M4* (L) para sostener la prolongación del riel en su lugar, pero dejándolo lo suficientemente flojo como para permitir ajustarlo (pasos siguientes).
5. Coloque una *regla* (F) sobre la prolongación de la mesa y la mesa de la sierra.
6. Alinee la marca de 11" de la regla (G1) con la marca de 11" del *riel de guía* (G2) y mantenga la regla firmemente en su lugar mientras realiza el próximo paso.
7. Ajuste la *prolongación del riel* (A) hasta que la marca de 18" (H1) esté alineada con la marca de 18" de la regla (H2). Suelte la regla mientras se asegura de que la prolongación del riel no se mueva.

La *prolongación izquierda del riel* está ahora calibrada correctamente. Mientras la sostiene bien en su lugar:

8. Apriete los dos *tornillos* (K).

Prolongación de la escala derecha

Modelos BTC, LSA y LSB

Los pasos para el armado son iguales a los de la prolongación izquierda de la mesa. Para alinearla, use las marcas de calibración de 14" y 21".

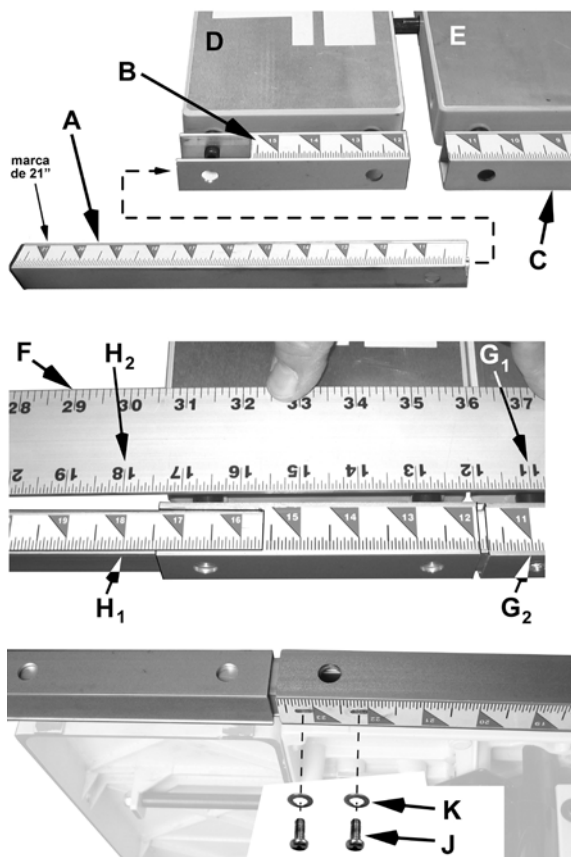


Figura 16

Soporte izquierdo para la mesa, opcional

Modelos BTB, BTC y LSA

Consulte la Figura 17:

Los modelos de sierra de mesa BTB, BTC y LSA no vienen con la prolongación izquierda de la mesa. No obstante, se puede quitar el *ensamble de soporte trasero* (A) y, de ser necesario, usarlo como soporte izquierdo para la mesa. Para ello:

1. Afloje las dos perillas de fijación debajo de la parte trasera de la mesa que aseguran el *ensamble del soporte trasero* (A).
2. Retire el ensamble del soporte trasero deslizándolo hacia atrás (B).
3. Vuelque el ensamble de manera que el *lado plano* del riel quede hacia arriba (C) y que las *dos muescas* (D) estén hacia abajo.
4. Afloje las dos *perillas de fijación* (E) ubicadas en el lado izquierdo de la mesa.
5. Instale el ensamble del soporte trasero insertando las varillas de extensión en los dos agujeros de montaje en el lado izquierdo de la mesa. Recuerde que las *muestras* (D) están en la parte de abajo.
6. Apriete las perillas de fijación.

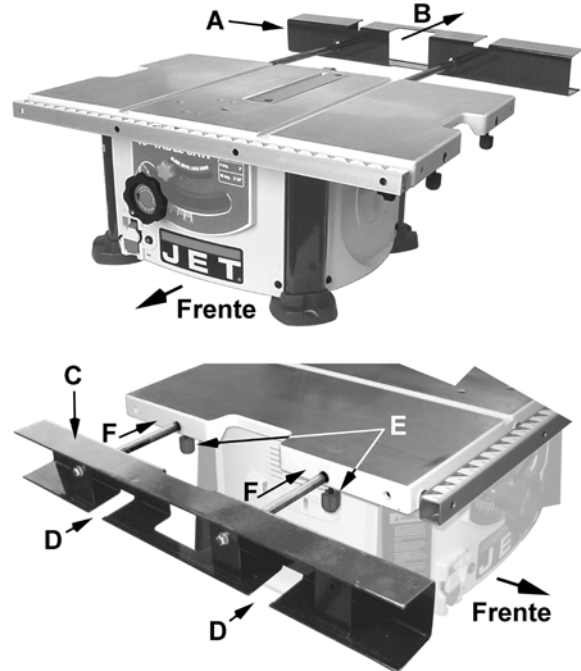


Figura 17

Rueda de mano

Todos modelos

Consulte la Figura 18:

1. Introduzca una *llave hexagonal de 5 mm* (A) en el extremo de la *manija* (B) en el tornillo de cabeza hexagonal.
2. Enrosque en la rueda de mano (E) hasta que esté casi apretado.

Mientras sostiene la *llave hexagonal* (A):

3. Apriete la *tuerca hexagonal* (C) con una *llave de 10 mm* (D) contra la *rueda de mano* (E) de manera tal que la *manija* (B) esté segura, pero que todavía permita rotarla mientras la usa.

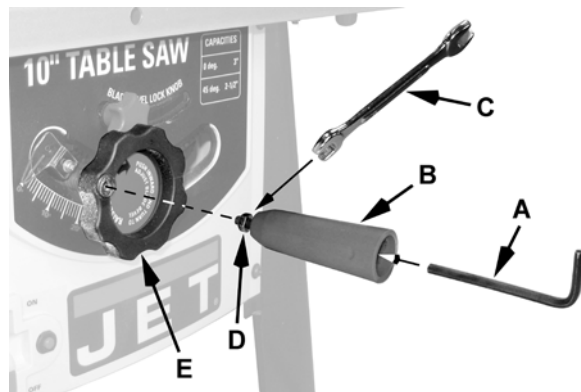


Figura 18

Ajustes

⚠ ¡ADVERTENCIA! ¡Cuando trabaje cerca de la hoja, siempre desconecte la sierra de la fuente de alimentación! ¡El incumplimiento de esta advertencia puede causar lesiones graves!

Parada positiva de 90 grados

Consulte la Figura 19:

1. Haga girar la *rueda de mano* (A) en sentido horario y suba la hoja hasta su altura máxima.
2. Afloje la *perilla de fijación de inclinación de la hoja* (B) haciéndola girar en sentido contrario.
3. Empuje la *rueda de mano* (A) hacia adentro para que enganche con el mecanismo de inclinación de la hoja; luego hágala girar en sentido horario completamente hasta que la hoja quede en la posición de 90° con respecto a la mesa.
4. Continúe sosteniendo la rueda de mano con la hoja en esta posición. Coloque una *escuadra de combinaciones* (C) sobre la mesa y contra la hoja tal como se muestra.

Si la hoja no está a 90° con respecto a la mesa:

5. Mientras continúa sujetando la rueda de mano, use una llave hexagonal de 6 mm para girar el *tornillo de ajuste de 90°* (Figura 18) hasta que la hoja quede a 90° con respecto a la mesa.
6. Apriete la *perilla de fijación de la inclinación de la hoja* (B).

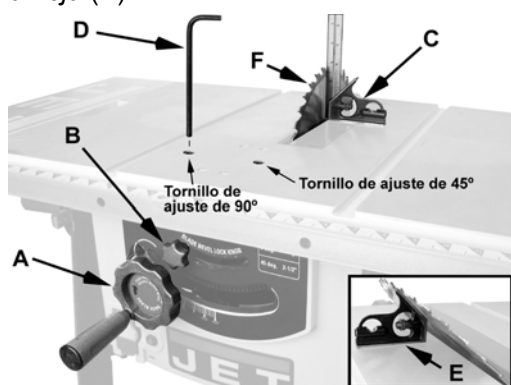


Figura 19

Calibrado de la escala

La escala junto a la rueda de mano debe calibrarse después de calibrar la hoja en la posición de parada positiva de 90° (consulte la sección anterior) y la escala no indica 0°.

Calibrado de la escala: (consulte la Figura 20):

1. Afloje la *perilla de fijación de la inclinación de la hoja* (D) haciéndola girar en sentido contrario.

2. Empuje la *rueda de mano* (C) hacia adentro para que enganche con el mecanismo de inclinación de la hoja; luego hágala girar completamente hasta que la hoja quede en la posición de 90° con respecto a la mesa. Sostenga la rueda de mano y:
3. Bloquee la *perilla de fijación de la inclinación de la hoja* (D).

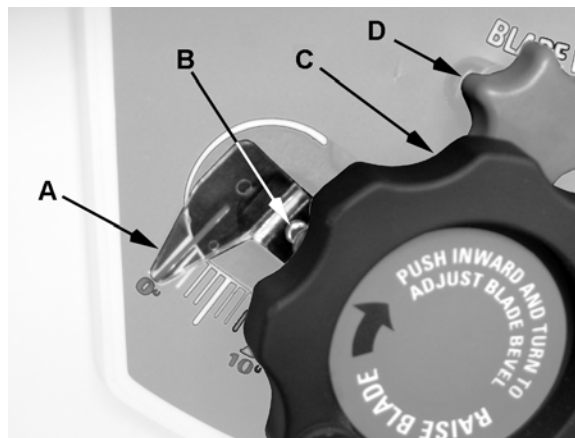


Figura 20

Si la escala no indica exactamente 0°:

4. Afloje el *tornillo* (B) con un destornillador de punta en cruz con vástago descentrado.
5. Ajuste manualmente la *escala* (A) hasta que señale 0°.
6. Apriete el *tornillo* (B).

Parada positiva de 45 grados

Consulte la Figura 19:

1. Haga girar la *rueda de mano* (A) en sentido horario y suba la hoja hasta su altura máxima.
2. Afloje la *perilla de fijación de la inclinación de la hoja* (B) haciéndola girar en sentido contrario.
3. Empuje la *rueda de mano* (A) hacia adentro para que enganche con el mecanismo de inclinación de la hoja; luego hágala girar en sentido contrario completamente hasta que la hoja quede en la posición de 45° con respecto a la mesa.
4. Continúe sosteniendo la rueda de mano con la hoja en esta posición. Coloque una *escuadra de combinaciones* (E) sobre la mesa y contra la hoja tal como se muestra.

Si la hoja no está a 45° con respecto a la mesa:

5. Mientras continúa sujetando la rueda de mano, use una llave hexagonal de 6 mm para girar el *tornillo de ajuste de 45°* (Figura 19) hasta que la hoja quede a 45° con respecto a la mesa.
6. Apriete la *perilla de fijación de la inclinación de la hoja* (B).

Ajuste de la hoja paralela a las ranuras del calibre de ingletes del calibre de ingletes

⚠ ¡ADVERTENCIA! ¡Cuando trabaje cerca de la hoja, siempre desconecte la sierra de la fuente de alimentación! ¡El incumplimiento de esta advertencia puede causar lesiones graves!

Se ajustó la hoja en fábrica para que quede paralela a las ranuras del calibre de ingletes y no debiera necesitar ningún otro ajuste. No obstante, si después de inspeccionarla se determina que necesita ajuste, siga los pasos a continuación:

1. Con la *rueda de mano* (A, Figura 19), suba la hoja hasta su altura máxima.

Consulte la Figura 21:

2. Coloque la base de la *escuadra de combinaciones* (A) contra el borde de la *ranura de inglete* (B). Extienda la *regla deslizante* (C) de manera que apenas toque los *dientes* en el extremo cercano de la hoja (D). Apriete el tornillo de bloqueo en la escuadra de combinaciones para que la *regla deslizante* quede fija.
3. Mueva la escuadra al extremo más distante de la hoja (E).

En caso de que aparezca una separación, o si la base de la escuadra de combinaciones no descansa sobre el borde de la ranura de ingletes, deberá ajustarse de la siguiente manera:

⚠ ¡ADVERTENCIA! Las hojas de las sierras son filosas. ¡Tenga muchísimo cuidado cuando trabaje con ellas! ¡El incumplimiento de esta advertencia puede causar lesiones graves!

Consulte la Figura 22:

4. Reemplace la hoja usada por una nueva, asegurándose de que los dientes en la parte delantera de la mesa estén orientados hacia abajo (consulte D, Figura 21).
5. Mueva cuidadosamente la hoja hasta que quede paralela a la ranura del calibre de ingletes. Verifique repitiendo los pasos 2 y 3. Cuando haya terminado el ajuste, apriete bien los tornillos (A).

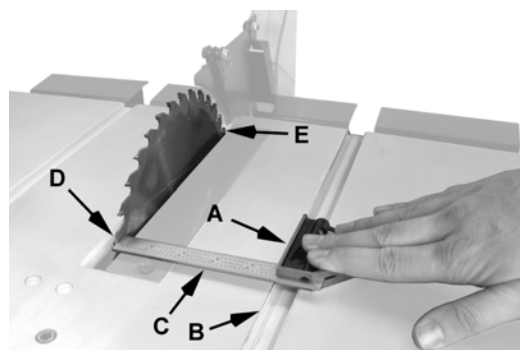


Figura 21

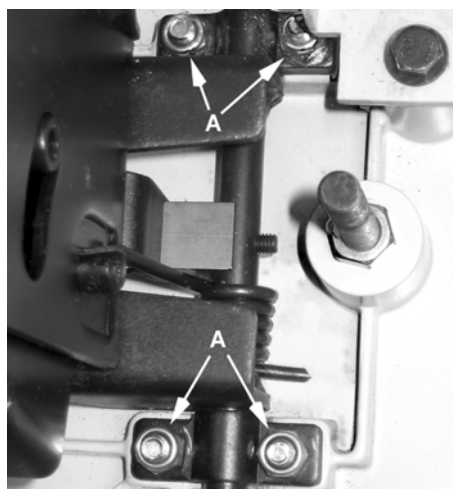


Figura 22

Cambio de la Hoja

⚠ ¡ADVERTENCIA! ¡Cuando instale o cambie la hoja, siempre desconecte la sierra de la fuente de alimentación! ¡El incumplimiento de esta advertencia puede causar lesiones graves!

1. Con las ruedas de mano, suba el eje de la hoja al máximo y fije la sierra a cero grados (consulte los pasos 1 a 3 en la sección *Parada positiva de 90 grados*); luego apriete la *perilla de fijación de la inclinación de la hoja* (B, Figura 19).
2. Retire los dos tornillos de inserción y retire el *accesorio de inserción de la mesa* (C, Figura 23) del bolsillo de la mesa.
3. Coloque la *llave de extremo abierto para el mandril* (A, Figura 23) en los extremos planos del interior de la brida de la hoja para evitar que gire. Haga girar la tuerca del mandril en sentido contrahorario con la *llave de extremo cerrado para el mandril* (B, Figura 23) y retire la tuerca y la brida exterior del mandril.
4. Reemplace la hoja usada por una nueva, asegurándose de que los dientes en la parte delantera de la mesa estén orientados hacia abajo (consulte D, Figura 21).
5. Ensamble la brida exterior, la tuerca del mandril y apriete bien la tuerca del mandril en sentido horario. al mismo tiempo que sujeta firmemente el mandril con la llave de extremo abierto.

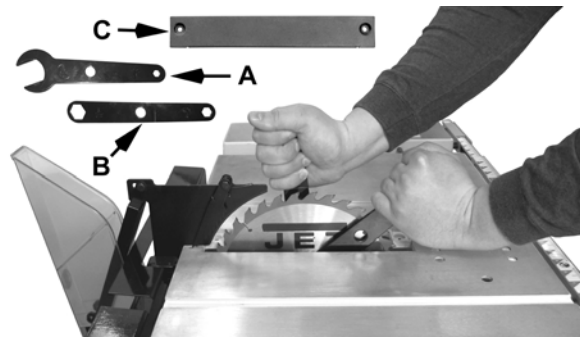


Figura 23

Reemplazo/Ajuste de la Correa de Accionamiento

Reemplazo y ajuste

1. Retire la hoja (consulte *Cambio de la hoja* en la página 21).
2. Use rueda de mano delantera para bajar el eje de la hoja a su posición más baja (gire la rueda de mano en sentido contrahorario).

3. Retire el resguardo de la hoja y la placa abridora (consulte la sección *Instalación del resguardo de la hoja y placa abridora* que aparece en la página 12).

4. De ser necesario, retire la *cubierta contra el polvo*.

Consulte la figura 24:

5. Use una llave hexagonal de 5mm para aflojar los cuatro *tornillos de cabeza hexagonal (A)* que sujetan el *soporte del mandril (B)* a la *caja del motor*.

Si solo está ajustando la tensión de la correa (sin reemplazarla), salte los pasos 6 a 10 y continúe con el 11.

6. Con una llave de 10mm, afloje el *tornillo de ajuste de la tensión (C)* haciéndolo girar en sentido contrahorario.

7. Empuje el *soporte del mandril (B)* hacia adelante (D) para aflojar la tensión de la correa (E).

8. Retire la *correa (E)* de las *poleas del motor y mandril (F, G)*.

9. Reemplace la correa usada con una nueva asegurándose de que esté apoyada correctamente sobre ambas poleas.

10. Empuje el *soporte del mandril (B)* hacia atrás (H) para poner tensión en la correa y apriete a mano los cuatro *tornillos de montaje (A)*.

Ajustes

11. Con una llave de 10mm, gire el *tornillo de ajuste de la tensión (C)* para ajustar la correa a la tensión correcta.

La tensión es suficiente cuando se obtiene aproximadamente 1/4" de flexión de la correa entre las poleas con la presión moderada que ejerce un dedo.

12. Apriete los cuatro *tornillos de montaje (A)* con una llave hexagonal de 5mm.

Después del ajuste

13. Vuelva a colocar la *cubierta contra el polvo* (página 12) si corresponde.

14. Coloque la sierra de mesa mirando hacia arriba.

15. Reemplace y ajuste el resguardo de la hoja y la placa abridora (consulte las secciones *Instalación del resguardo de la hoja y placa abridora* y *Ajuste del resguardo de la hoja y placa abridora* que aparecen en la página 12).

16. Reemplace la hoja (consulte *Cambio de la hoja* en la página 21).

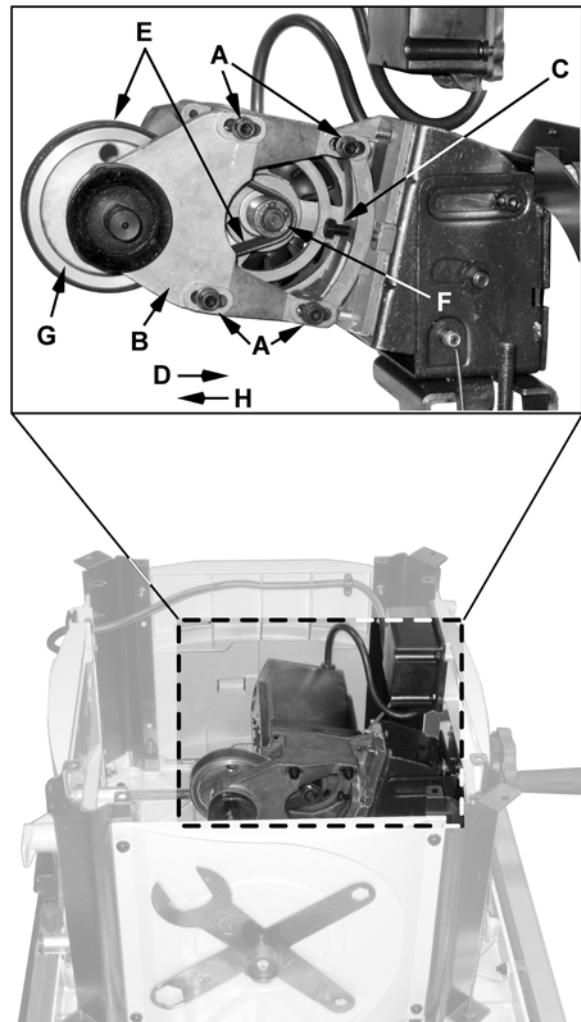


Figure 24

Operación del calibre de ingletes

Para utilizar el calibre de ingletes, afloje la *perilla de fijación (A, Figura 25)* y gire el *calibre de ingletes (B, Figura 25)* al ángulo deseado.

Nota: Haga siempre cortes de prueba. No se confíe únicamente en las marcas del indicador del calibre de ingletes.

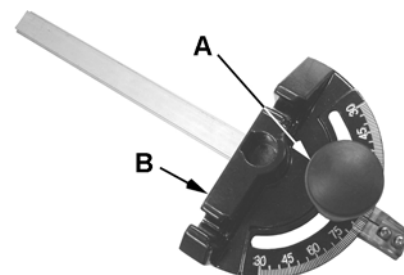
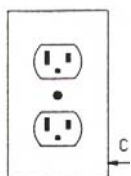


Figura 25

Conexiones Eléctricas

Esta sierra tiene un motor que funciona con 120VCA y viene con un cordón eléctrico que se enchufa en un tomacorriente de 120VCA de tres patillas con descarga a tierra, como se muestra.



Antes de enchufarlo a la fuente eléctrica, asegúrese de que el interruptor esté apagado (posición Off).

Si se utiliza un cordón eléctrico de prolongación, seleccione uno con una capacidad apropiada para el trabajo según la tabla que figura a continuación.

Cordón calibre 12	0 a 25 pies
Cordón calibre 10	0 a 50 pies
Cordón calibre 8	0 a 100 pies

Tabla de cordones de prolongación

Controles de Operación

Interruptor de conexión/desconexión (On/Off):

El *interruptor de conexión/desconexión (On/Off)* está ubicado en el panel delantero de la base de la sierra (C, Figura 26). Para encender (On) la sierra, coloque el interruptor en la posición de encendido (hacia arriba) (F, Figura 27). Para apagar (Off) la sierra, coloque el interruptor en la posición de apagado (hacia abajo).

Llave de bloqueo: Cuando la sierra no esté en funcionamiento, el interruptor debe estar bloqueado en la posición Off. Para bloquear el interruptor en la posición Off, saque la *llave de seguridad (G, Figura 27)*. La sierra no arrancará sin esta llave. No obstante, si retira la llave cuando el interruptor está en la posición On, puede apagarla una vez. La sierra no arrancará nuevamente hasta colocar la llave en el interruptor.

Protección de sobrecarga: Esta sierra tiene un *botón de relé de sobrecarga* reposicionable (D, Figura 26). Si el motor se apaga o no arranca nuevamente debido a una sobrecarga o a bajo voltaje, coloque el *interruptor (C, Figura 26)* en la posición *Off* y deje que el motor se enfríe durante cinco minutos por lo menos. Después de que el motor se haya enfriado, apriete el *botón de reinicio (D, Figura 26)* para volver a iniciar el dispositivo de sobrecarga. La sierra debiera arrancar nuevamente cuando el interruptor se coloca en la posición On.

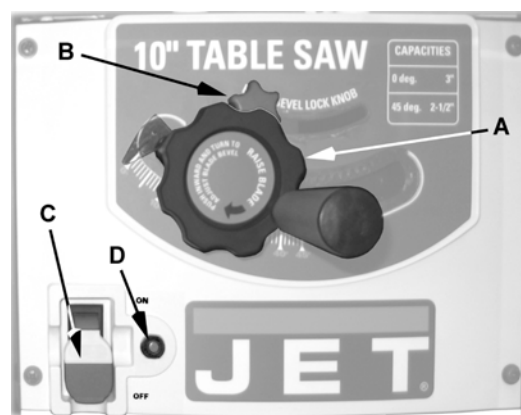


Figura 26

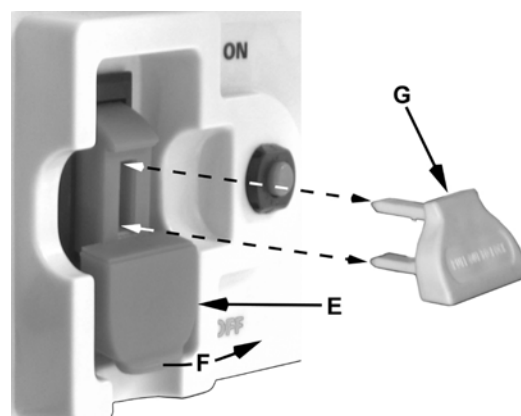


Figura 27

Rueda de mando para la altura o inclinación de la hoja: La *rueda de mano* ubicada en el panel delantero de la sierra (A, Figura 26) fija la *altura e inclinación* de la hoja.

Para subir o bajar la hoja, gire la rueda de mano (A, Figura 26) en sentido horario o contrahorario.

Para *inclin*ar la hoja:

1. Empuje la rueda de mano hacia adentro.
2. Afloje la perilla de *fijación de la inclinación de la hoja (B, Figura 26)* haciéndola girar en sentido contrahorario.
3. Mientras empuja sobre la rueda de mano, gire en sentido horario o contrario para fijar la inclinación de la hoja entre 0° (hoja a 90° perpendicular con respecto a la mesa) y a 45° (inclinación izquierda).

Cuando haya fijado el ángulo deseado,

4. Continúe empujando la *rueda de mano (A, Figura 26)* hasta que la perilla de fijación (B, Figura 26) esté apretada.

Operaciones

⚠ ¡ADVERTENCIA! Antes de encender la sierra, asegúrese de que no haya herramientas, tornillería o desechos sobre la mesa. Estos artículos pueden convertirse en proyectiles y causar lesiones graves.

Sierras de mesa

Debe familiarizarse con la ubicación y operación de todos los controles y ajustes de la sierra y con el uso de los accesorios, como el calibre de ingletes o la guía para cortar al hilo.

Contragolpes

Los contragolpes pueden causar lesiones graves. Estos se producen cuando una pieza de trabajo se atasca en la hoja o entre la hoja y la guía para cortar al hilo u otro objeto fijo. Este atascamiento puede hacer que la pieza de trabajo se levante y se lance hacia el operador.

A continuación se enumeran algunas condiciones que pueden causar contragolpes:

- ❑ Restringir la pieza cortada cuando se realizan cortes al hilo o transversales.
- ❑ Soltar la pieza de trabajo antes de completar la operación o no empujar la pieza de trabajo hasta que termine de pasar por la hoja.
- ❑ No usar la placa abridora cuando se hacen cortes al hilo o no mantener la alineación de la placa abridora con la hoja.
- ❑ Usar hojas desafiladas.
- ❑ No mantener la alineación de la guía para cortes al hilo de manera que tienda a inclinarse hacia la hoja en vez de hacerlo hacia fuera, de adelante para atrás.
- ❑ Aplicar demasiado fuerza durante el corte sobre la sección de la pieza de trabajo cortada (libre) en vez de hacerlo entre la hoja y la guía.
- ❑ Cortes de maderas combadas o torcidas (no planas) o que no tengan un borde derecho o la veta torcida.

Para evitar las lesiones causadas por contragolpes, o para reducirlos a un mínimo:

- ❑ Evite las condiciones mencionadas anteriormente.
- ❑ Use gafas o anteojos de seguridad o una careta de protección.

- ❑ No use el calibre de ingletes y la guía para cortar al hilo durante la misma operación, a menos que se use una tabla de refrentado plano (bloque auxiliar) en la guía para permitir que la sección cortada de la pieza de trabajo quede libre antes de que se inicie el próximo corte (consulte la Figura 35).
- ❑ A medida que se va usando la máquina, se debe inspeccionar periódicamente la operación de los trinquetes anticontragolpes (Figura 26). Si los trinquetes no detienen el movimiento de retroceso de una pieza de trabajo, afile las puntas.
- ❑ Siempre que sea posible, mantenga la cara y el cuerpo fuera de la línea de posibles contragolpes, incluso cuando hace arrancar la máquina y cuando la apaga.

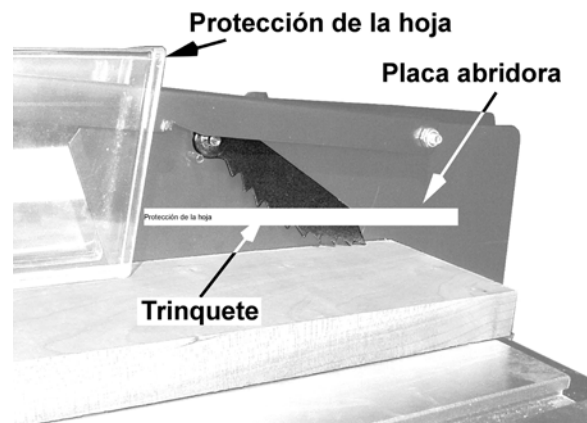


Figura 28

Las herramientas de corte desafiladas, mal colocadas, inapropiadas o mal afiladas y las herramientas de corte con goma o cola de pagar, o resina adherida pueden causar accidentes. Nunca use una hoja fracturada. El uso de una herramienta de corte filosa, bien mantenida y apropiada ayudará a evitar lesiones.

Sostenga la pieza de trabajo correctamente y sujétela bien contra el calibre o la guía. Use una pieza o bloque de madera de empuje cuando tenga que cortar piezas cortas, angostas (de 6 pulgadas de anchura o menos) o delgadas. Use una pieza de empuje o el calibre de ingletes para sujetar los trabajos de mortaja o molduras que haga.

Para aumentar la seguridad en los cortes transversales, use una tabla de refrentado plano (Figura 29) acoplada a los agujeros del calibre de ingletes.

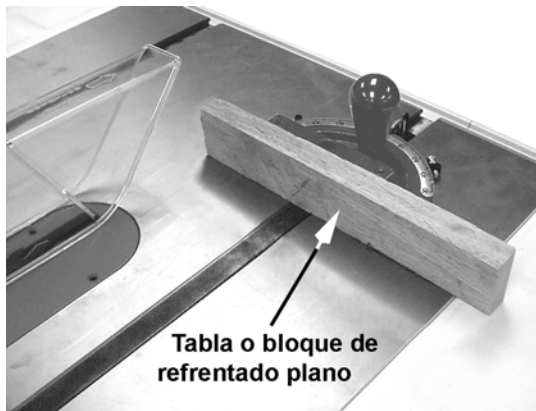


Figura 29

Nunca use la guía como tope de longitud en los cortes transversales. No sostenga ni toque el extremo libre o la sección de cortado de una pieza de trabajo. En las operaciones de "aserrado total", la sección de cortado NO debe estar restringida.

Mantenga siempre las manos alejadas de la línea de la hoja y nunca las coloque más allá de la hoja para sujetar la pieza de trabajo.

Se debe hacer siempre los cortes biselados al hilo con el resguardo colocado a la derecha de la hoja, de manera tal que la inclinación de la hoja se aleje del resguardo para reducir al mínimo la posibilidad de que el trabajo se atasque y de que se produzca un contragolpe.

Cortes al hilo

Los cortes al hilo son aquellos donde la pieza de trabajo se alimenta con la veta hacia la hoja utilizando la guía y un dispositivo de posicionamiento para asegurar el ancho del corte deseado (Figura 30).

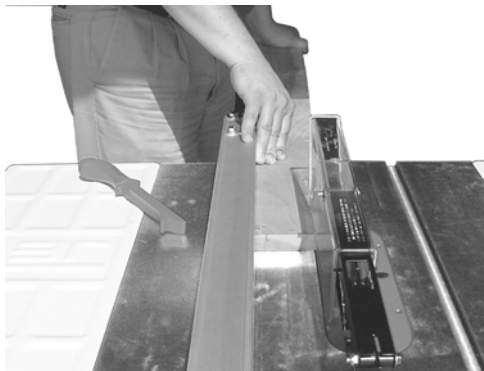


Figura 30

⚠PRECAUCIÓN Antes de proceder con un corte al hilo, asegúrese de que la guía esté segura y alineada correctamente.

- ❑ Nunca realice a pulso los cortes al hilo, ni use un calibre de ingletes en combinación con la guía.

- ❑ Nunca haga cortes más cortos que el diámetro de la hoja.
- ❑ Nunca coloque las manos más allá de la hoja para sujetar o quitar la pieza de corte cuando la hoja esté girando.

Use siempre el resguardo de la hoja, la placa abridora y los trinquetes anticontragolpes. Asegúrese de que la máquina esté correctamente conectada a tierra. Cuando se corta la madera en el sentido de la veta, la entalla tiende a cerrarse y a apretar contra la hoja. Se pueden producir contragolpes.

Nota: Hay una calcomanía en el ensamble del resguardo y de la placa abridora para advertir sobre el peligro que representa una alineación incorrecta.

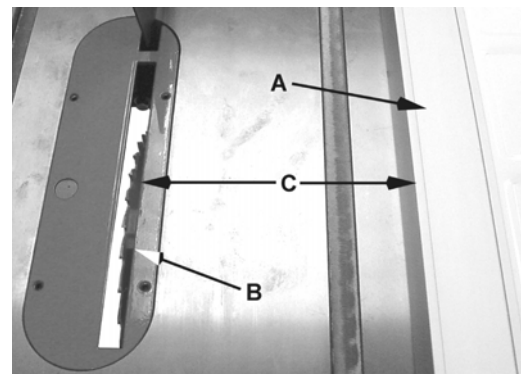


Figura 31

Se debe colocar la *guía para cortar al hilo* (A, Figura 31) para el *ancho del corte* (C, Figura 31) usando la escala en el frente del riel o midiendo la distancia entre la hoja (B) y la guía (A). Párese fuera de la línea de la hoja y de la pieza de trabajo para evitar el aserrín y las astillas que pueden saltar de la hoja o la posibilidad de contragolpes.

Si la pieza de trabajo no tiene un borde derecho, clave una tabla auxiliar con borde derecho para que haya uno contra la guía. Para cortar correctamente, la tabla tiene que estar bien en contacto con la mesa. Si está combada, colóquela del lado hueco hacia abajo.

En los cortes al hilo, use una mano para sujetar la tabla contra la guía o dispositivo y la otra para empujarla contra la hoja entre la hoja y la guía. Si la pieza de trabajo es de menos de 6 pulgadas de ancho, use una pieza o bloque de madera de empuje para colocarla entre la guía y la hoja (Figura 32). Nunca empuje en un lugar de manera que la mano que empuje quede en línea con la hoja. Mueva la mano que utiliza para sujetar a una distancia segura de la hoja cuando esté a punto de completar el corte. Para

los cortes muy angostos, donde no pueda usar una pieza de empuje, use un bloque o una guía auxiliar. Empuje siempre toda la pieza de trabajo más allá de la hoja para terminar un corte para reducir al mínimo la posibilidad de un contragolpe.



Figura 32

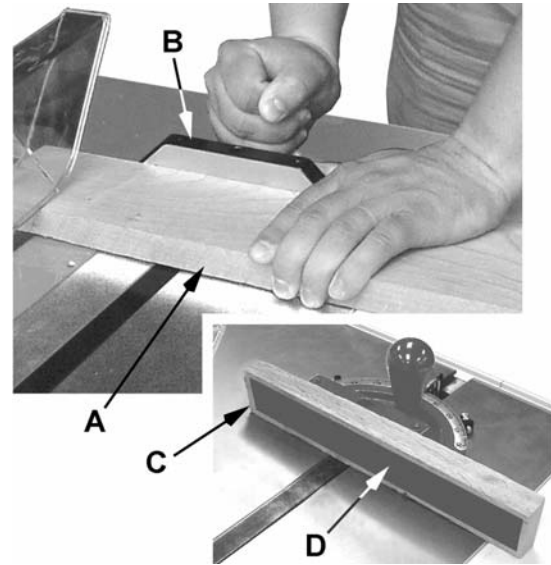


Figura 34

Cuando corte tablas largas, use un soporte con rodillos en la parte delantera de la mesa y un soporte o "tailman" en la parte trasera como se ilustra en la Figura 33.

Deje que la hoja se extienda alrededor de 1/8 pulgada por arriba de la pieza de trabajo. Puede ser peligroso exponer la hoja por arriba de ese punto.

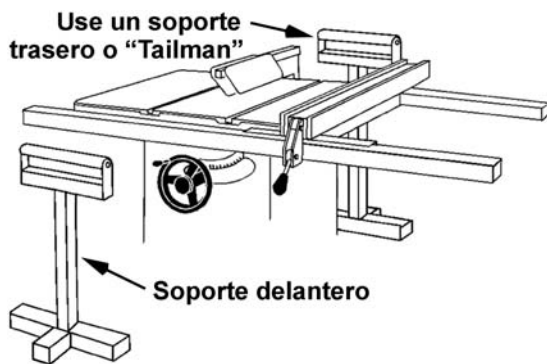


Figura 33

Nunca se debe hacer a pulso los cortes transversales, ni se debe usar la guía como tope a menos que el bloque auxiliar esté sujeto adelante de la zona de la hoja de manera que la pieza de cortado quede libre del bloque antes de que se inicie el corte (Figura 35).

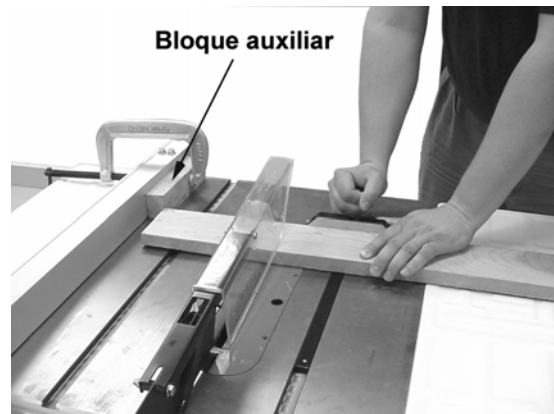


Figura 35

Cortes transversales

El corte transversal es aquel donde la *pieza de trabajo* (A, Figura 34) se alimenta a la hoja en contra de la veta con el *calibre de ingletes* (B, Figura 34) para soportar y posicionar la pieza de trabajo.

Para mejorar la eficacia del calibre de ingletes en los cortes transversales, monte una *tabla auxiliar de refrentado plano* (C, Figura 34) con un pedazo de *papel de lija* (D, Figura 34) pegado en el calibre de ingletes.

No se deberá utilizar toques de longitud en el extremo libre de la pieza de trabajo en la pieza cortada.

No haga cortes transversales en piezas de menos de 6 pulgadas. Antes de comenzar con el corte, asegúrese de que el calibre de ingletes esté sujeto firmemente en el ángulo deseado. Mantenga la pieza de trabajo bien firme contra la mesa y contra el calibre de ingletes. Use siempre el resguardo de la sierra y la placa abridora y asegúrese de que ésta esté alineada correctamente.

Para los cortes transversales de 90 grados, la mayoría de los operadores prefieren usar la ranura izquierda del calibre de ingletes. Cuando se use en esta posición, sujete la pieza de trabajo contra el calibre con la mano izquierda y use la mano derecha para avanzar la pieza de trabajo. La posición de las manos cambia cuando se usa la ranura derecha para los cortes de inglete y cortes compuestos de manera que la inclinación de la hoja se aleja del calibre.

Cuando se usa el calibre de ingletes, se debe sujetar firmemente la pieza de trabajo y hacerla avanzar despacio. Si no se sujeta bien la pieza de trabajo, puede vibrar y atascarse en la hoja y mellar los dientes.

Proporcione **sostén auxiliar** para cualquier pieza de trabajo que sobresalga de la superficie de la mesa con una tendencia a combarse y levantarse de la mesa.

Deje que la hoja se extienda alrededor de 1/8 pulgada por arriba de la pieza de trabajo. Puede ser peligroso exponer la hoja por arriba de ese punto.

Operaciones de bisel e inglete

Corte en inglete – El corte en bisel es un tipo de operación especial en la que la hoja se inclina a un ángulo de menos de 90 grados con respecto a la superficie de la mesa (Figura 36). Las operaciones se realizan de la misma manera que los cortes al hilo o transversales, excepto que la guía o el calibre de ingletes se debe usar a la derecha de la hoja para obtener mayor seguridad y evitar un atascamiento entre la hoja y la superficie de la mesa. Cuando se hacen cortes de bisel con el calibre de ingletes, se debe sujetar bien la pieza de trabajo y hacerla avanzar despacio.



Figura 36

Corte transversal – Los cortes transversales en ángulo al borde de la pieza de trabajo se llaman ingletes (Figura 37). Coloque el calibre de ingletes en el ángulo deseado y fíjelo. Haga el corte de la misma manera que lo hace para los cortes transversales normales, salvo que debe sujetar bien la pieza de trabajo para evitar que se desplace.

Nota: Cuando corte ingletes compuestos (con la hoja inclinada) use el calibre de ingletes en la ranura derecha para tener más espacio para la mano y mayor seguridad.

Deje que la hoja se extienda únicamente 1/8 pulgada por arriba de la pieza de trabajo. Puede ser peligroso exponer la hoja por arriba de ese punto.



Figura 37

Corte de mortaja – El corte de mortaja es una ranura ancha en la pieza de trabajo o un rebajo en el borde de una pieza de trabajo. Para este tipo de operación se necesita el accesorio de inserción de la hoja para mortajas. Consulte la Figura 38.

PRECAUCIÓN No use el accesorio de inserción estándar de la mesa para estas operaciones de corte de mortaja.



Figura 38

Para cortar ranuras de 1/8" a 1/2" en las piezas de trabajo, se usa un juego de hojas escalonadas para mortajas o un tipo de hoja ajustable, montada en el mandril de la sierra. Con el uso de esta combinación de hojas escalonadas para mortajas, o fijando correctamente el dial de una hoja ajustable, se puede conseguir el ancho correcto de una mortaja. Ello es muy útil para la fabricación de estantes, juntas, espigas, etc. Se debe utilizar el resguardo, la placa abridora y los trinquetes anticontra golpes que vienen con la sierra para todas las operaciones de corte con las que se puedan usar. Se deberá tomar otras medidas de seguridad cuando se realicen operaciones donde no se pueda utilizar el resguardo, como en los cortes de mortaja. Estos incluyen las piezas de empuje, tablas escalonadas, piezas de relleno, accesorios, guías y otros dispositivos apropiados que se pueden utilizar para mantener las manos del operador alejadas de la hoja. Se deberá volver a colocar el ensamblaje del resguardo completo en la máquina una vez terminada una operación que requiera quitarlo.

PRECAUCIÓN Nunca use una cabeza de corte de mortaja en la posición inclinada. Nunca opere la sierra sin el resguardo de la hoja, la placa abridora o los trinquetes anticontra golpes en operaciones de corte donde se puedan usar.

Recolección del polvo

Para sierras equipadas con una *cubierta contra el polvo*, debe utilizarse un *sistema de recolección o aspiración de polvo* (no incluido). El puerto en la cubierta contra el polvo puede acomodar una manguera de 2.5 pulgadas o de 4 pulgadas (Figura 39).

La cubierta contra el polvo se debe inspeccionar y limpiar frecuentemente para evitar el bloqueo que puede causar la acumulación del polvo y aserrín.

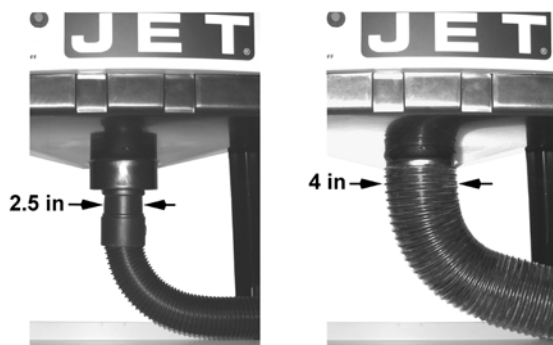


Figure 39

Dispositivos de seguridad

Tabla escalonada

La tabla escalonada (Figura 37) debe fabricarse de madera dura con veta longitudinal de aproximadamente 1 pulgada de espesor y de 4 a 8 pulgadas de ancho, dependiendo del tamaño de la máquina. El largo está determinado por el uso que se le quiera dar. Las tablas escalonadas pueden sujetarse a la mesa o a la placa abridora con abrazaderas tipo C. Si se utiliza este método de fijación, coloque ranuras en la tabla escalonada para ajustar. (La Figura muestra un método para acoplar y usar una tabla escalonada como peine vertical. La aplicación horizontal es casi igual, excepto que se acopla a la superficie de la mesa.)

Pieza de madera de empuje

Con esta sierra viene una pieza de madera de empuje y *debe usarse* como un elemento más de seguridad para el operador.

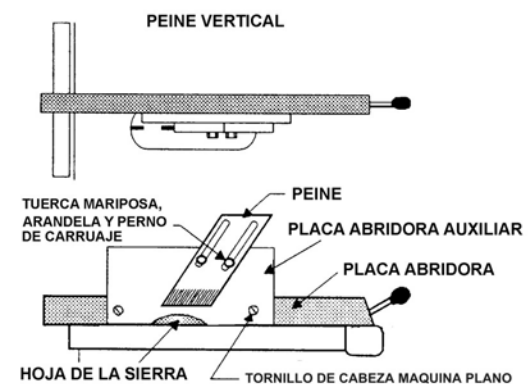
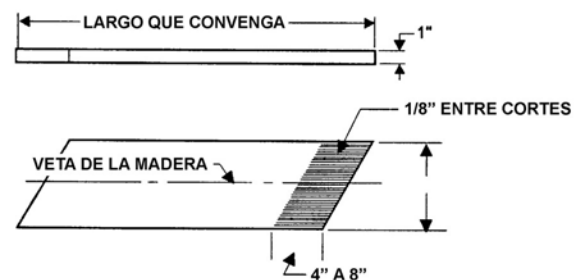
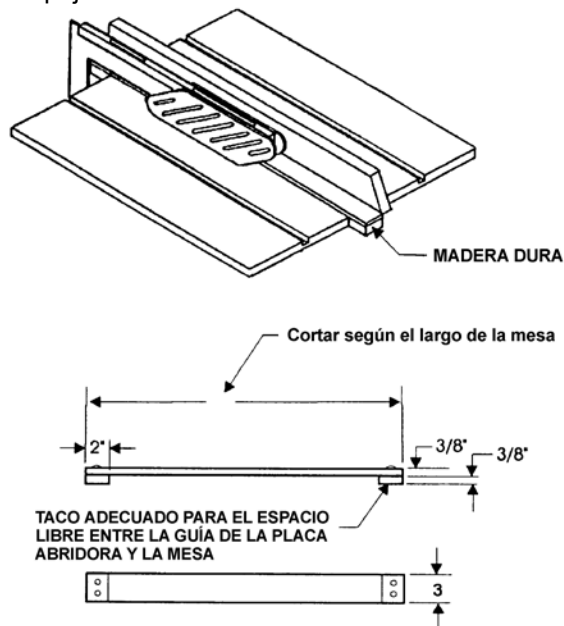


Figura 37

Pieza de relleno

Es necesario contar con una pieza de relleno (Figura 38) para los cortes al hilo que sean angostos, ya que permite no retirar que el resguardo de la hoja. También proporciona espacio para el uso sin riesgos de una pieza de empuje.



Mantenimiento

⚠ ¡ADVERTENCIA! Desconecte siempre la fuente de alimentación de la máquina antes de realizar cualquier trabajo de mantenimiento. No hacerlo podría causar lesiones personales graves.

Limpieza

Para obtener el máximo rendimiento de la sierra de mesa 708315, límpiela según lo siguiente.

Nota: El siguiente plan de mantenimiento presupone que la sierra se *utiliza todos los días*.

Todos los días:

- Limpie la breca y resina de la hoja.

Una vez por semana:

- Limpie la caja del motor con aire comprimido.
- Limpie la superficie de la mesa, ranura y rieles de la guía con un lubricante seco de siliconas.

Lubricación

Lubrique las áreas indicadas a continuación cada 12 meses.

- Lubrique los muñones de inclinación de la hoja con 6 ó 7 gotas de aceite liviano para máquinas.
- Lubrique el muñón de altura de la hoja con 6 ó 7 gotas de aceite liviano para máquinas.

Inspeccione todos los ajustes después de lubricar.

Varios

Siempre tenga en cuenta el estado de la máquina. Inspeccione periódicamente el estado de las piezas siguientes y repare o reemplace según sea necesario:

- Pernos de montaje
- Interruptor eléctrico
- Hoja de la sierra
- Resguardo de la hoja

Identificación y solución de problemas

Síntoma	Causa posible	Solución
El motor no arranca.	Bajo voltaje.	Inspeccione la línea eléctrica para comprobar si tiene el voltaje correcto.
	Circuito abierto o conexión floja en el motor.	Inspeccione todas las conexiones principales del motor para comprobar que no estén flojas o abiertas.
El motor no arranca: se queman los fusibles o interruptores de circuito.	Cortocircuito en el cable de alimentación o enchufe.	Inspeccione el cable o el enchufe para ver que no esté dañada la aislación o haya alambres en cortocircuito.
	Cortocircuito o conexiones flojas en el motor.	Inspeccione todas las conexiones del motor para determinar que no estén flojas, en cortocircuito o tengan la aislación gastada.
	Los fusibles del interruptor de circuito en la línea no son los correctos.	Instale los fusibles o interruptor de circuito correctos.
El motor se sobrecalienta.	Sobrecarga del motor.	Reduzca la carga del motor.
	Está restringida la circulación de aire en el motor.	Limpie el motor para proporcionar circulación de aire normal.
Se para el motor y se queman los fusibles o salta el interruptor de circuito.	Cortocircuito o conexiones flojas en el motor.	Inspeccione las conexiones del motor para determinar que no estén flojas, en cortocircuito o tengan la aislación gastada.
	Bajo voltaje.	Corrija las condiciones de bajo voltaje.
	Los fusibles del interruptor de circuito en la línea no son los correctos.	Instale los fusibles o interruptor de circuito correctos.
	Sobrecarga del motor.	Reduzca la carga del motor.
La máquina baja de velocidad cuando funciona.	Se aplica demasiada presión a la pieza de trabajo.	Alimente la pieza de trabajo más despacio.
La máquina emite ruidos fuertes y repetitivos.	Los tornillos o las llaves de fijación de la polea no están o están flojos.	Inspeccione las llaves y los tornillos de fijación. Reemplace o apriete si es necesario.
	La correa en V tiene algún defecto.	Reemplace la correa en V.
La hoja no está en escuadra con la ranura de inglete, o la guía no está en escuadra con la hoja.	La hoja está combada.	Cambie la hoja.
	La superficie de la mesa no está paralela a la hoja.	Ajuste la superficie de la mesa para que esté paralela a la hoja.
	La guía no está paralela a la hoja.	Ajuste la superficie de la mesa para que esté paralela a la hoja.
La hoja no alcanza los 90 grados.	El perno de parada de 90 grados está fuera de ajuste.	Ajuste el perno de parada de 90 grados.
	La tabla no está alineada.	Alinee la mesa.
	La posición de la hoja es incorrecta.	Ajuste la posición de la hoja.

Partes

Pedido de repuestos

Para hacer un pedido de partes o comunicarse con nuestro departamento de servicios, llame al 1-800-274-6848, de lunes a viernes de 7:30 a.m. a 5:30 p.m. Para poder atenderlo más rápidamente y con mayor precisión, sírvase tener a mano el número de modelo y el número de serie de su máquina.

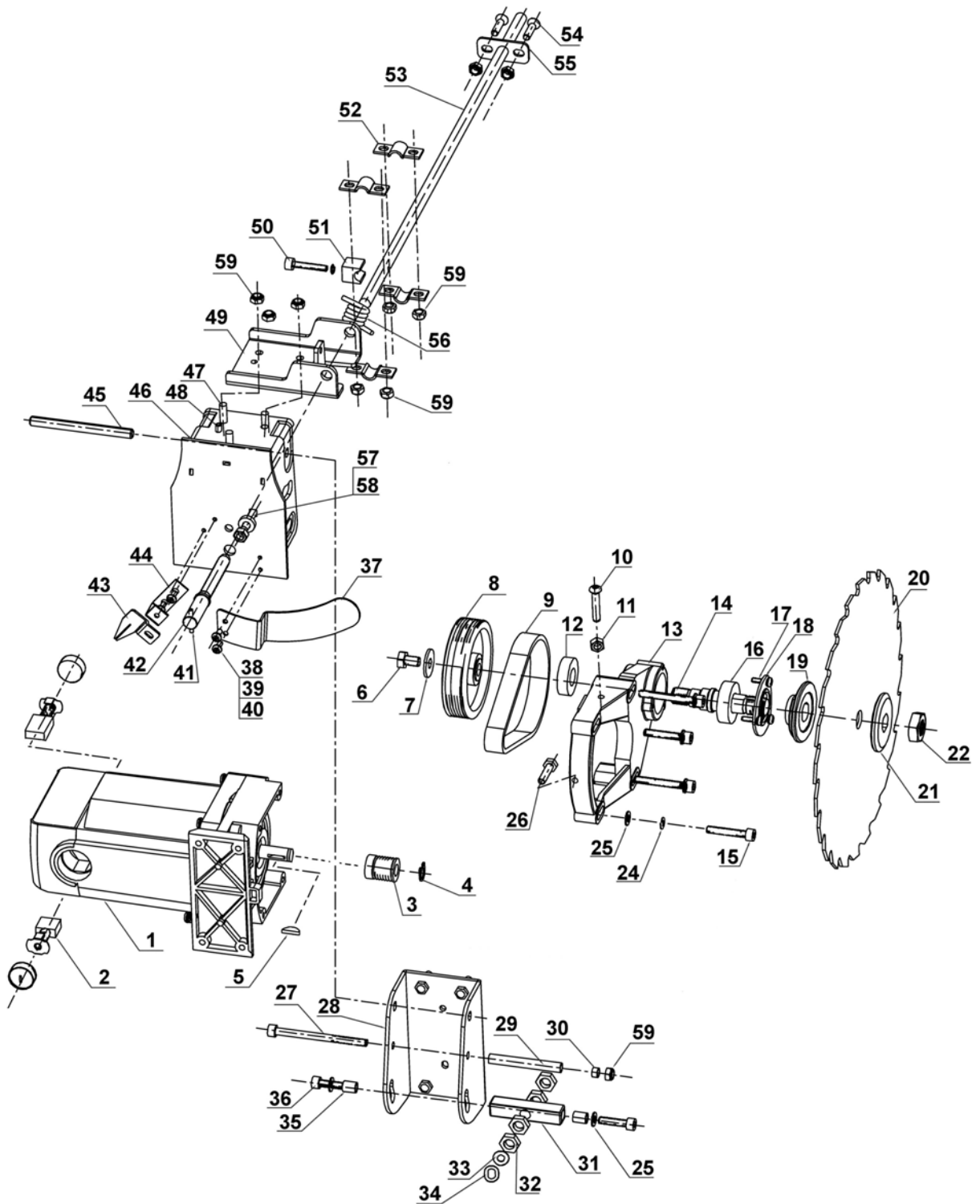
Motor/Muñón - Lista de partes

Núm. de índice	Núm. de parte	Descripción	Tamaño	Cant.
1	708315-1	Motor		1
2	708315-2	Ensamble de los cepillos		2
3	708315-3	Polea del motor		1
4	708315-4	Anillo de retención		1
5	708315-5	Llave	3x6.5x16	1
6	TS-1490011	Tornillo de cabeza hexagonal	M8x12	1
7	TS-1550061	Arandela plana	M8	1
8	708315-8	Polea del mandril		1
9	708315-9	Correa		1
10	TS-2286252	Tornillo de cabeza achatada	M6x25	1
11	TS-1540041	Tuerca hexagonal	M6	7
12	BB-6002Z	Cojinete	6002Z	1
13	708315-13	Soporte del mandril		1
14	708315-14	Eje del mandril		1
15	TS-1503111	Tornillo de cabeza hueca	M6x50	2
16	BB-6003Z	Cojinete	6003Z	1
17	TS-1532042	Tornillo de cabeza achatada	M4x12	3
18	708315-18	Cubierta		1
19	708315-19	Brida del mandril		1
20	708315-20	Hoja de la sierra	10"x36T	1
21	708315-21	Collar del mandril		1
22	708315-22	Tuerca del mandril		1
23	TS-1503081	Tornillo de cabeza hueca	M6x35	2
24	TS-1551041	Arandela de bloqueo	M6	4
25	TS-1550041	Arandela plana	M6	4
26	TS-1482051	Tornillo de cabeza hexagonal	M6x25	1
27	TS-2236801	Tornillo de cabeza hueca	M6x80	1
28	708315-28	Soporte del motor		1
29	708315-29	Espaciador		1
30	708315-30	Espaciador		1
31	708315-31	Soporte del eje		1
32	708315-32	Tuerca	M10	4
33	TS-1550071	Arandela plana	M10	1
34	708315-34	Arandela especial		1
35	708315-35	Espaciador		2
36	TS-1503061	Tornillo de cabeza hueca	M6x25	2
37	708315-37	Soporte		1
38	TS-2284082	Tornillo de cabeza achatada	M4x8	2
39	TS-1550021	Arandela plana	M4	2
40	TS-1551021	Arandela de bloqueo	M4	2
41	708315-41	Pasador	M3x18	1
42	708315-42	Eje de elevación		1
43	708315-43	Señalador		1
44	708315-44	Soporte		1

Motor/Muñón - Lista de partes

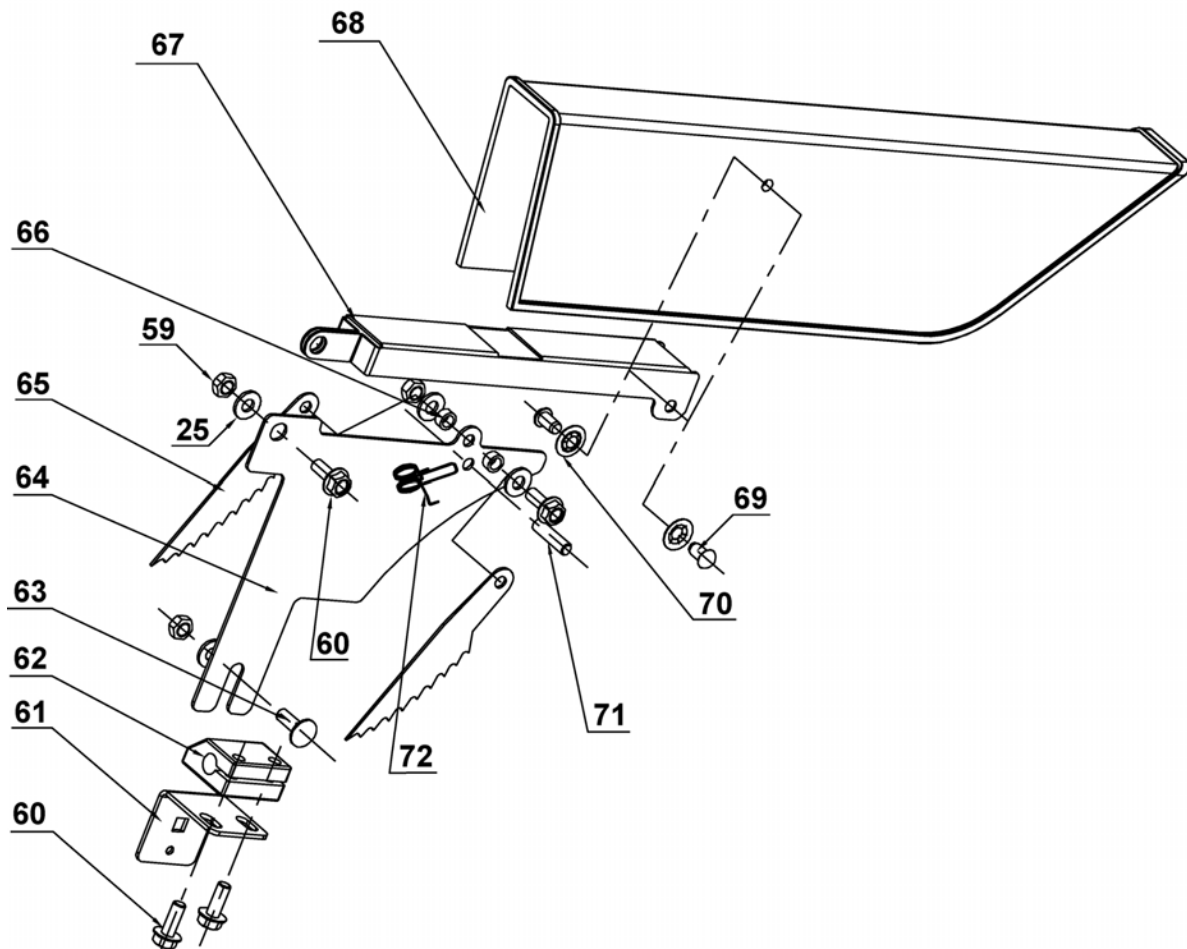
Núm. de índice	Núm. de parte	Descripción	Tamaño	Cant.
45	708315-45	Pasador	M8x90	1
46	708315-46	Soporte del muñón		1
47	TS-1503051	Tornillo de cabeza hueca	M6x20	3
48	708315-48	Pasador	M3x10	1
49	708315-49	Soporte		1
50	TS-2285302	Tornillo de cabeza achatada	M5x30	1
51	708315-51	Soporte de la varilla		1
52	708315-52	Abrazadera		4
53	708315-53	Varilla angular		1
54	TS-2286251	Tornillo de cabeza hueca	M6x25	2
55	708315-55	Placa de soporte de la varilla		1
56	708315-56	Resorte		1
57	708315-57	Perno de carruaje	M6x32	1
58	708315-58	Espaciador		1
59	TS-1541021	Tuerca de bloqueo del accesorio		
		de inserción de nylon	M6	39

Motor/Muñón - Ensamble



Ensamble del resguardo de la hoja

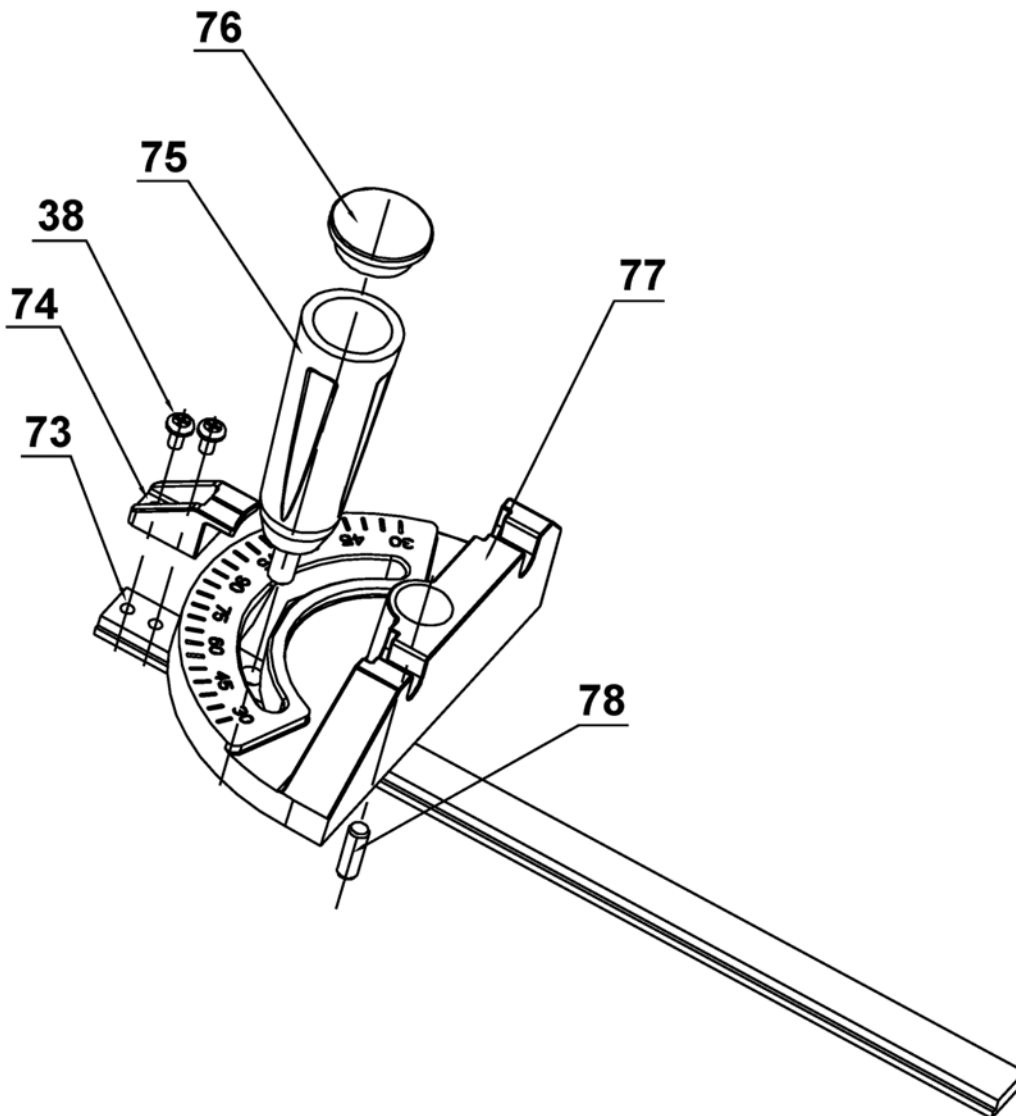
Núm. de índice	Núm. de parte	Descripción	Tamaño	Cant.
.....	708315-BGA	Ensamble del resguardo de la hoja (Completo) ²
25	TS-1550041	Arandela plana	M6	4
59	TS-1541021	Tuerca de bloqueo del accesorio de inserción de nylon	M6	3
60	TS-1482041	Tornillo de cabeza hexagonal	M6x20	4
61	708315-61	Soporte de la placa abridora		1
62	708315-62	Soporte		1
63	708315-63	Perno de carruaje	M6x12	1
64	708315-64	Placa abridora		1
65	708315-65	Trinquete anticontragolpes		2
66	708315-66	Espaciador		2
67	708315-67	Soporte del resguardo		1
68	708315-68	Resguardo		1
69	708315-69	Remache		2
70	708315-70	Arandela de retención		2
71	708315-71	Pasador	M3x22	1
72	708315-72	Resorte		1



¹La compra del Ensamble completo de resguardo de la hoja incluye todas las partes menos los piezas 60 a 63.

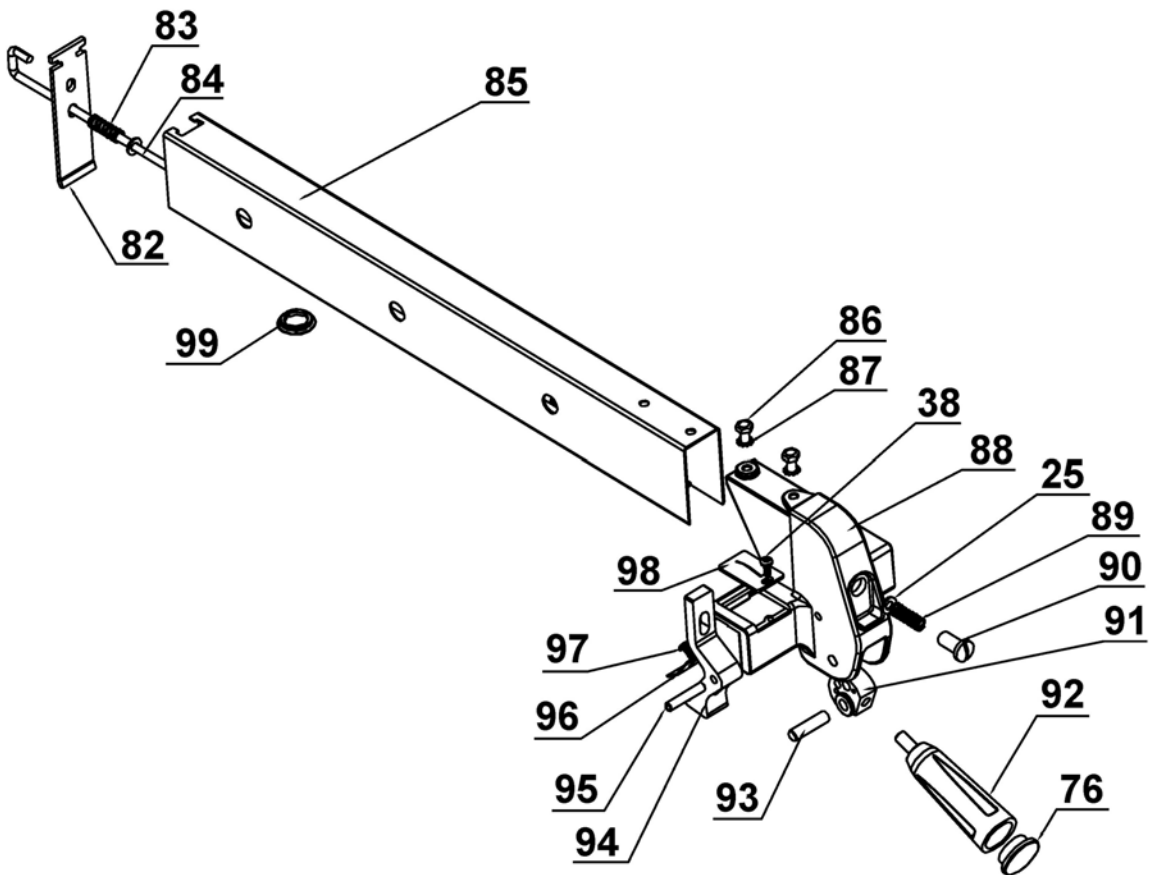
Ensamble del calibre de ingletes

Núm. de índice	Núm. de parte	Descripción	Tamaño	Cant.
.....	708315-MGA.....	Ensamble del calibre de ingletes (Completo).....
38.....	TS-2284082.....	Tornillo de cabeza achatada.....	M4x8.....	2
73.....	708315-73.....	Barra.....	1
74.....	708315-74.....	Señalador.....	1
75.....	708315-75.....	Manija.....	1
76.....	708315-76.....	Tapa de la manija.....	1
77.....	708315-77.....	Cuerpo del calibre de ingletes.....	1
78.....	708315-78.....	Pasador.....	M6x15.....	1



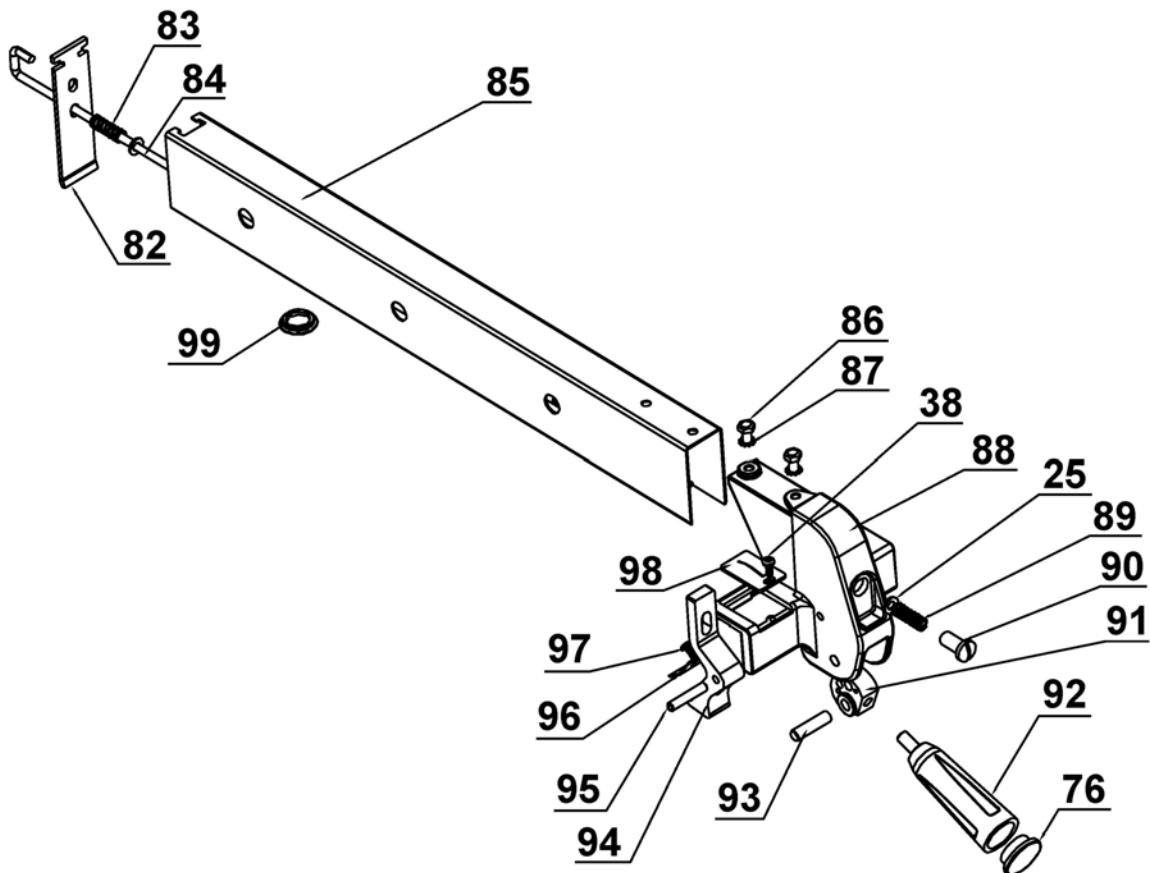
Ensamble del soporte trasero

Núm. de índice	Núm. de parte	Descripción	Tamaño	Cant.
.....	708315-RSA	Ensamble del soporte trasero (Completo)
59	708315-158	Tuerca de brida hexagonal	M6	2
79	708315-79	Varilla	2
80	708315-80	Soporte trasero	1



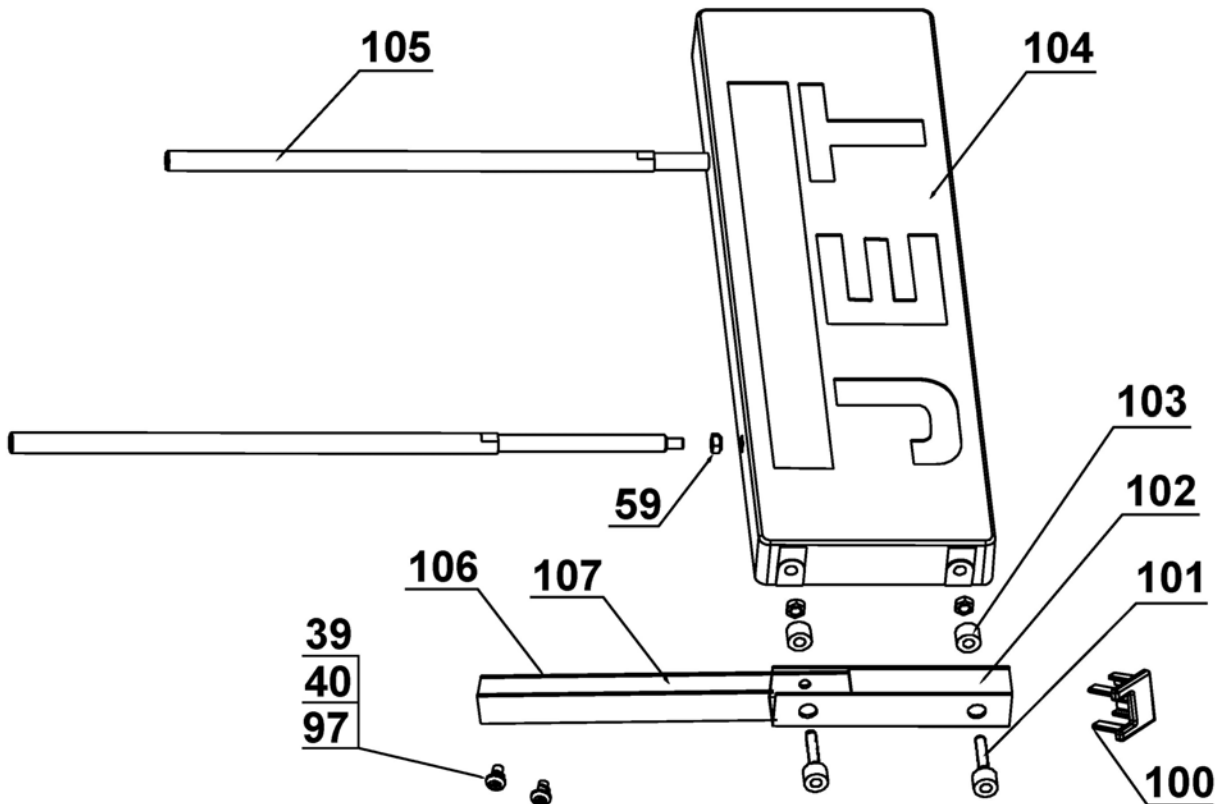
Ensamble de la guía para cortar al hilo

Núm. de índice	Núm. de parte	Descripción	Tamaño	Cant.
.....	708315-RFA.....	Ensamble de la guía para cortar al hilo..... (Completo).....		
25.....	TS-1550041.....	Arandela plana.....	M6.....	2
38.....	TS-2284082.....	Tornillo de cabeza achatada.....	M4x8.....	1
76.....	708315-76.....	Tapa de la manija.....		1
82.....	708315-82.....	Abrazadera trasera.....		1
83.....	708315-83.....	Resorte.....		1
84.....	708315-84.....	Varilla.....		1
85.....	708315-85.....	Cuerpo de la guía.....		1
86.....	TS-1482011.....	Tornillo de cabeza hexagonal.....	M6x10.....	2
87.....	708315-87.....	Arandela de bloqueo con dientes externos.....	M6.....	2
88.....	708315-88.....	Bloque delantero.....		1
89.....	708315-89.....	Resorte.....		1
90.....	708315-90.....	Tornillo de ajuste.....		1
91.....	708315-91.....	Bloqueo de leva.....		1
92.....	708315-92.....	Manija.....		1
93.....	708315-93.....	Pasador.....		1
94.....	708315-94.....	Abrazadera delantera.....		1
95.....	708315-95.....	Pasador.....		1
96.....	708315-96.....	Resorte de hoja.....		1
97.....	TS-1532032.....	Tornillo de cabeza achatada.....	M4x10.....	1
98.....	708315-98.....	Cursor.....		1
99.....	708315-99.....	Soporte.....		2



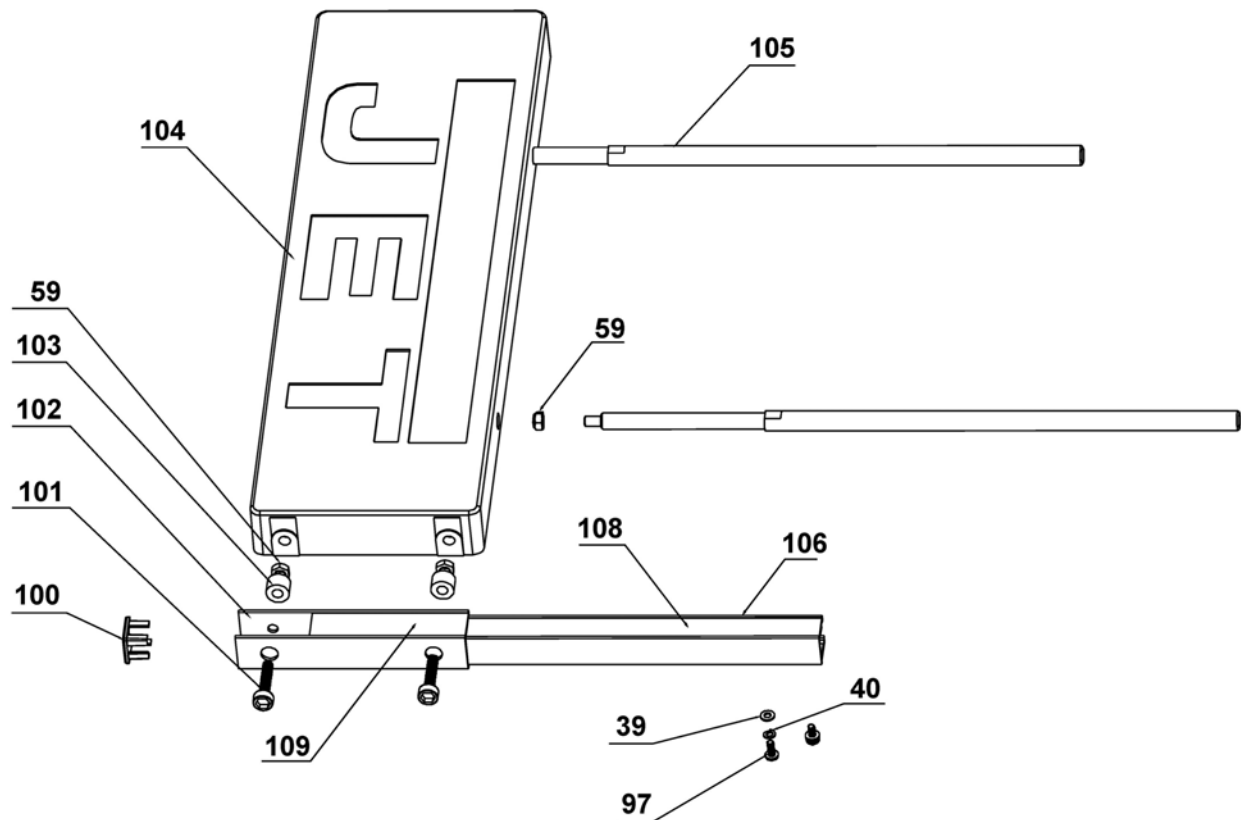
Ensamble de la prolongación derecha de la mesa

Núm. de índice	Núm. de parte	Descripción	Tamaño	Cant.
.....	708315-REA	Ensamble de la prolongación derecha de la mesa (Completo)
39	TS-1550021	Arandela plana	M4	2
40	TS-1551021	Arandela de bloqueo	M4	2
59	708315-158	Tuerca de brida hexagonal	M6	4
97	TS-1532032	Tornillo de cabeza achatada	M4x10	2
100	708315-100	Tapa del extremo del riel	1
101	TS-1503071	Tornillo de cabeza hueca	M6x30	2
102	708315-102	Riel delantero	1
103	708315-103	Espaciador	2
104	708315-104	Mesa de prolongación	1
105	708315-105	Varilla de prolongación	2
106	708315-106	Guía del riel	1
107	708315-107	Escala	1



Ensamble de la prolongación izquierda de la mesa

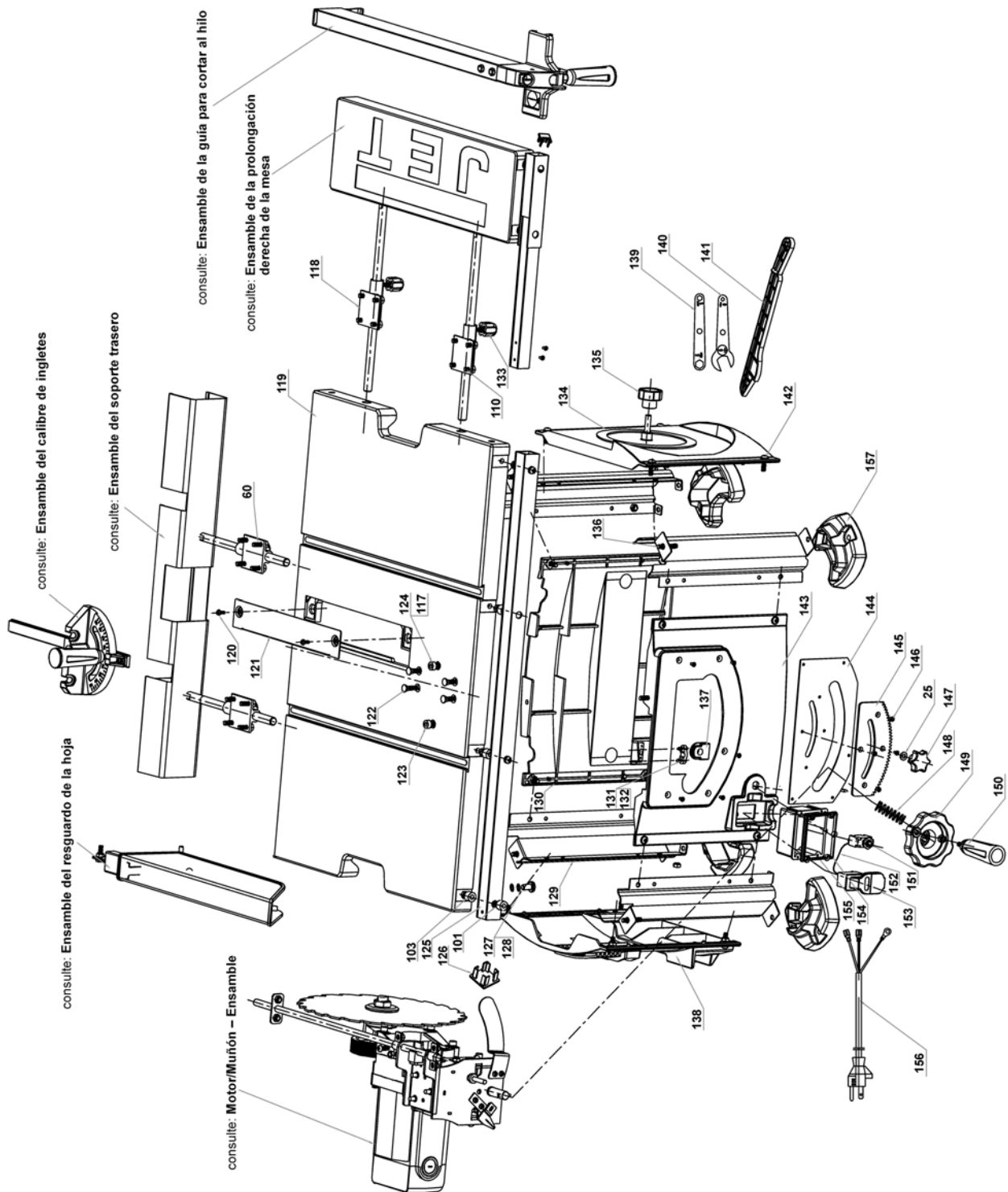
Núm. de índice	Núm. de parte	Descripción	Tamaño	Cant.
.....	708315-LEA	Ensamble de la prolongación izquierda de la mesa (Completo)
39	TS-1550021	Arandela plana	M4	2
40	TS-1551021	Arandela de bloqueo	M4	2
59	708315-158	Tuerca de brida hexagonal	M6	4
97	TS-1532032	Tornillo de cabeza achatada	M4x10	2
100	708315-100	Tapa del extremo del riel		1
101	TS-1503071	Tornillo de cabeza hueca	M6x30	2
102	708315-102	Riel delantero		1
103	708315-103	Espaciador		2
104	708315-104	Mesa de prolongación		1
105	708315-105	Varilla de prolongación		2
106	708315-106	Guía del riel		1
108	708315-108	Escala		1
109	708315-109	Escala		1



Sierra principal - Partes

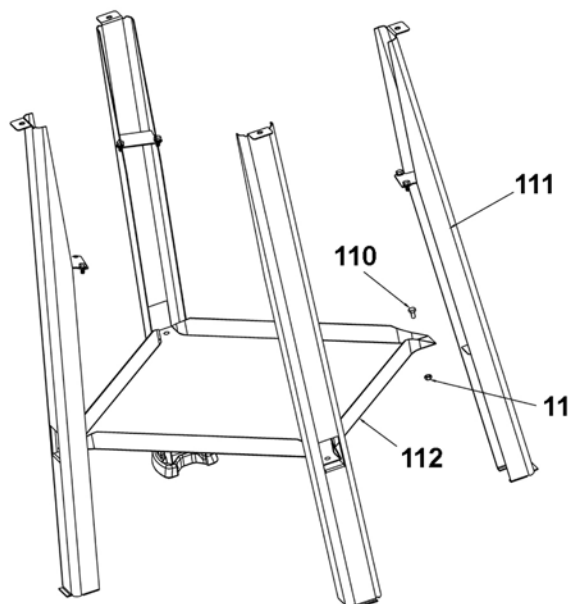
Núm. de índice	Núm. de parte	Descripción	Tamaño	Cant.
11	TS-1540041	Tuerca hexagonal	M6	1
24	TS-1551041	Arandela de bloqueo	M6	4
25	TS-1550041	Arandela plana	M6	34
59	TS-1541021	Tuerca de bloqueo del accesorio de inserción de nylon	M6	16
60	TS-1482041	Tornillo de cabeza hexagonal	M6x20	8
101	TS-1503071	Tornillo de cabeza hueca	M6x30	4
103	708315-103	Espaciador		4
110	TS-1482021	Tornillo de cabeza hexagonal	M6x12	16
117	TS-1540061	Tuerca hexagonal	M8	2
118	708315-118	Soporte de la prolongación de la mesa		6
119	708315-119	Mesa principal		1
120	TS-1533032	Tornillo de cabeza achatada	M5x10	2
121	708315-121	Accesorio de inserción de la mesa		1
122	708315-122	Tornillo especial para la mesa		4
123	TS-1504041	Tornillo de cabeza hueca	M8x20	1
124	TS-1504121	Tornillo de cabeza hueca	M8x60	1
125	708315-125	Riel delantero		1
126	708315-126	Tapa del riel		2
127	708315-127	Tornillo de latón (puesta a tierra)	M5x8	1
128	708315-128	Arandela de bloqueo con dientes externos	M5	1
129	708315-129	Pata		4
130	708315-130	Panel trasero		1
131	708315-131	Tornillo autorroscante	M4x14	7
132	708315-132	Aliviador de tensión		1
133	708315-133	Perilla de fijación		6
134	708315-134	Panel lateral derecho		1
135	708315-135	Perilla de fijación		1
136	708315-136	Perno roscado		4
137	708315-137	Arandela de refuerzo		1
138	708315-138	Panel lateral izquierdo		1
139	708315-139	Llave para tuerca del mandril		1
140	708315-140	Llave de extremo abierto		1
141	708818	Pieza de madera de empuje		1
142	TS-2286202	Tornillo de cabeza achatada	M6x20	16
143	708315-143	Panel delantero		1
144	708315-144	Placa delantera		1
145	708315-145	Placa dentada para bisel		1
146	TS-2284081	Tornillo de cabeza hueca	M4x8	9
147	708315-147	Perilla de fijación		1
148	708315-148	Resorte		1
149	708315-149	Rueda de mano		1
150	708315-150	Manija		1
151	708315-151	Interruptor automático de circuito (sobrecarga)		1
152	708315-152	Alambre		1
153	708315-153	Interruptor de conexión/desconexión (On/Off)		1
154	708315-154	Junta de caucho		1
155	708315-155	Caja del interruptor		1
156	708315-156	Cordón de alimentación		1
157	708315-157	Pie de caucho		4

Sierra principal – Ensemble

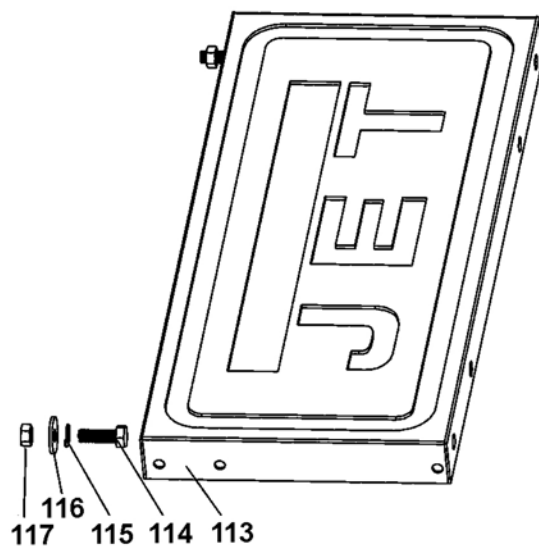


Ensamble del soporte

Núm. de índice	Núm. de parte	Descripción	Tamaño	Cant.
.....	708315-SA	Ensamble del soporte (Completo)
11	708315-158	Tuerca de brida hexagonal	M6	12
110	TS-1482021	Tornillo de cabeza hexagonal	M6x12	12
111	708315-111	Pata	4
112	708315-112	Estante	1



Ensamble de soporte



Ensamble de la prolongación

Ensamble de la prolongación de la mesa en acero

Núm. de índice	Núm. de parte	Descripción	Tamaño	Cant.
.....	708315-SSEWA	Ensamble de la prolongación de la mesa en acero (Completo)
113	708315-113	Prolongación de la mesa en acero estampado	1
114	TS-1490041	Tornillo de cabeza hexagonal	M8x25	2
115	TS-2361081	Arandela de bloqueo	M8	2
116	TS-1550061	Arandela plana	M8	2
117	TS-1540061	Tuerca hexagonal	M8	2

Accesorios

Núm. de índice	Núm. de parte	Descripción	Tamaño	Cant.
159	708315-159	Cubierta contra el polvo



WMH Tool Group
2420 Vantage Drive
Elgin, Illinois 60123
Phone: 800-274-6848
www.wmhtoolgroup.com

Free Manuals Download Website

<http://myh66.com>

<http://usermanuals.us>

<http://www.somanuals.com>

<http://www.4manuals.cc>

<http://www.manual-lib.com>

<http://www.404manual.com>

<http://www.luxmanual.com>

<http://aubethermostatmanual.com>

Golf course search by state

<http://golfingnear.com>

Email search by domain

<http://emailbydomain.com>

Auto manuals search

<http://auto.somanuals.com>

TV manuals search

<http://tv.somanuals.com>