

J E T®

WMH | TOOL GROUP

Operating Instructions and Parts Manual

Table Saw

Model: JWTS-10



WMH TOOL GROUP

2420 Vantage Drive
Elgin, Illinois 60124
Ph.: 800-274-6848
www.wmhtoolgroup.com

Part No. M-708100
Revision B2 9/06
Copyright © WMH Tool Group

WARRANTY AND SERVICE

WMH Tool Group, Inc., warrants every product it sells. If one of our tools needs service or repair, one of our Authorized Service Centers located throughout the United States can give you quick service. In most cases, any of these WMH Tool Group Authorized Service Centers can authorize warranty repair, assist you in obtaining parts, or perform routine maintenance and major repair on your JET® tools. For the name of an Authorized Service Center in your area call 1-800-274-6848.

MORE INFORMATION

WMH Tool Group is consistently adding new products to the line. For complete, up-to-date product information, check with your local WMH Tool Group distributor, or visit jettools.com.

WARRANTY

JET products carry a limited warranty which varies in duration based upon the product (MW = Metalworking, WW = Woodworking).

90 DAY WARRANTY	1 YEAR WARRANTY	2 YEAR WARRANTY	5 YEAR WARRANTY	Warranty reverts to 1 Year Warranty if woodworking (WW) products listed below are used for commercial, industrial or educational purposes	LIFE LIFETIME WARRANTY			
Lathe Accessories Machine Accessories Mobile Bases Safety Equipment Specialty Items Vise Accessories	Air Tools-Contractor Air Tools-Industrial Air Tools-Light Industrial Lubrication	Body Repair Kits Bottle Jacks Cable Pullers Cold Saws Hoists-Air Hoists-Electric Metalforming Mill/Drills Milling Machines	MW Bandsaws MW Drill Presses MW Finishing Equipment MW Lathes MW Precision Vises Pallet Trucks Rigging Equip. Service Jacks	Stackers Surface Grinders Tapping Trolleys-Air Trolleys-Electric Web Slings Winches-Electric	Beam Clamps Chain Hoist-Manual Lever Hoists Pullers-JCH Models Scissor Lift Tables Screw Jacks Trolleys-Geared	Trolleys-Plain Winches-Manual WW Air Filtration WW Bandsaws WW Buffers WW Drill Presses WW Dust Collectors WW Dust Filters	WW Dust Fittings WW Jointers WW Lathes WW Planers WW Sanders WW Shapers WW Tablesaws	Fastening Tools Mechanics Hand Tools Striking Tools Vises (non-precision) Clamps

WHAT IS COVERED?

This warranty covers any defects in workmanship or materials subject to the exceptions stated below. Cutting tools, abrasives and other consumables are excluded from warranty coverage.

WHO IS COVERED?

This warranty covers only the initial purchaser of the product.

WHAT IS THE PERIOD OF COVERAGE?

The general JET warranty lasts for the time period specified in the product literature of each product.

WHAT IS NOT COVERED?

Five Year Warranties do not cover woodworking (WW) products used for commercial, industrial or educational purposes. Woodworking products with Five Year Warranties that are used for commercial, industrial or education purposes revert to a One Year Warranty. This warranty does not cover defects due directly or indirectly to misuse, abuse, negligence or accidents, normal wear-and-tear, improper repair or alterations, or lack of maintenance.

HOW TO GET SERVICE

The product or part must be returned for examination, postage prepaid, to a location designated by us. For the name of the location nearest you, please call 1-800-274-6848.

You must provide proof of initial purchase date and an explanation of the complaint must accompany the merchandise. If our inspection discloses a defect, we will repair or replace the product, or refund the purchase price, at our option. We will return the repaired product or replacement at our expense unless it is determined by us that there is no defect, or that the defect resulted from causes not within the scope of our warranty in which case we will, at your direction, dispose of or return the product. In the event you choose to have the product returned, you will be responsible for the shipping and handling costs of the return.

HOW STATE LAW APPLIES

This warranty gives you specific legal rights; you may also have other rights which vary from state to state.

LIMITATIONS ON THIS WARRANTY

WMH TOOL GROUP LIMITS ALL IMPLIED WARRANTIES TO THE PERIOD OF THE LIMITED WARRANTY FOR EACH PRODUCT. EXCEPT AS STATED HEREIN, ANY IMPLIED WARRANTIES OR MERCHANTABILITY AND FITNESS ARE EXCLUDED. SOME STATES DO NOT ALLOW LIMITATIONS ON HOW LONG THE IMPLIED WARRANTY LASTS, SO THE ABOVE LIMITATION MAY NOT APPLY TO YOU.

WMH TOOL GROUP SHALL IN NO EVENT BE LIABLE FOR DEATH, INJURIES TO PERSONS OR PROPERTY, OR FOR INCIDENTAL, CONTINGENT, SPECIAL, OR CONSEQUENTIAL DAMAGES ARISING FROM THE USE OF OUR PRODUCTS. SOME STATES DO NOT ALLOW THE EXCLUSION OR LIMITATION OF INCIDENTAL OR CONSEQUENTIAL DAMAGES, SO THE ABOVE LIMITATION OR EXCLUSION MAY NOT APPLY TO YOU.

WMH Tool Group sells through distributors only. The specifications in WMH catalogs are given as general information and are not binding. Members of WMH Tool Group reserve the right to effect at any time, without prior notice, those alterations to parts, fittings, and accessory equipment which they may deem necessary for any reason whatsoever. JET® branded products are not sold in Canada by WMH Tool Group.

Table of Contents

Table of Contents	3
Warnings	4
Assembly.....	11
Unpacking and Cleanup	11
Stand Assembly	11
Assembling the Saw to the Stand	12
Blade Tilt Pointer.....	12
Handwheels	13
Extension Wings	13
Rear Guide Rail.....	13
Front Guide Rail	14
Support Rod.....	14
Switch Bracket	15
Extension Wing Adjustment.....	15
Blade Guard and Splitter	15
Installing/Replacing the Blade.....	16
Aligning the Blade Guard and Splitter	16
Table Insert	17
Rip Fence	17
Miter Gauge.....	18
Grounding Instructions.....	19
Electrical Connections.....	19
Extension Cord Recommendations.....	19
Blade Raising and Tilt Mechanism.....	20
Adjusting 45° and 90° Positive Stops	20
Operations.....	21
Table Saws	21
Kickbacks	21
Rip Sawing	22
Resawing.....	23
Crosscutting.....	23
Align-a-rip	24
Bevel and Miter Operations	24
Safety Devices.....	25
Feather Board	25
Filler Piece	26
Push Stick & Push Block	26
Maintenance.....	27
Cleaning.....	27
Lubrication	27
Miscellaneous	27
Troubleshooting.....	28
Parts.....	29
Wiring Diagram	37
Ordering Replacement Parts.....	38

Warnings

1. Read and understand the entire owners manual before attempting assembly or operation.
2. Read and understand the warnings posted on the machine and in this manual. Failure to comply with all of these warnings may cause serious injury.
3. Replace the warning labels if they become obscured or removed.
4. This Table Saw is designed and intended for use by properly trained and experienced personnel only. If you are not familiar with the proper and safe operation of a Table Saw, do not use until proper training and knowledge have been obtained.
5. Do not use this Table Saw for other than its intended use. If used for other purposes, WMH Tool Group disclaims any real or implied warranty and holds itself harmless from any injury that may result from that use.
6. Always wear approved safety glasses/face shields while using this Table Saw. Everyday eyeglasses only have impact resistant lenses; they are not safety glasses.
7. Before operating this Table Saw, remove tie, rings, watches and other jewelry, and roll sleeves up past the elbows. Remove all loose clothing and confine long hair. Non-slip footwear or anti-skid floor strips are recommended. Do **not** wear gloves.
8. Always use the blade guard on all "through-sawing" operations. A through-sawing operation is one in which the blade cuts completely through the workpiece.
9. Kickback occurs when the workpiece is thrown towards the operator at a high rate of speed. If you do not have a clear understanding of kickback and how it occurs, **DO NOT** operate this table saw!
10. Wear ear protectors (plugs or muffs) during extended periods of operation.
11. Some dust created by power sanding, sawing, grinding, drilling and other construction activities contain chemicals known to cause cancer, birth defects or other reproductive harm. Some examples of these chemicals are:
 - Lead from lead based paint.
 - Crystalline silica from bricks, cement and other masonry products.
 - Arsenic and chromium from chemically treated lumber.
12. Your risk of exposure varies, depending on how often you do this type of work. To reduce your exposure to these chemicals, work in a well-ventilated area and work with approved safety equipment, such as face or dust masks that are specifically designed to filter out microscopic particles.
13. Do not operate this machine while tired or under the influence of drugs, alcohol or any medication.
14. Make certain the switch is in the **OFF** position before connecting the machine to the power supply.
15. Make certain the machine is properly grounded.
16. Make all machine adjustments or maintenance with the machine unplugged from the power source.
17. Remove adjusting keys and wrenches. Form a habit of checking to see that keys and adjusting wrenches are removed from the machine before turning it on.
18. Keep safety guards in place at all times when the machine is in use. If removed for maintenance purposes, use extreme caution and replace the guards immediately.
19. Make sure the Table Saw is firmly secured to the floor or bench before use.
20. Check damaged parts. Before further use of the machine, a guard or other part that is damaged should be carefully checked to determine that it will operate properly and perform its intended function. Check for alignment of moving parts, binding of moving parts, breakage of parts, mounting and any other conditions that may affect its operation. A guard or other part that is damaged should be properly repaired or replaced.

Error! Objects cannot be created from editing field codes.

21. Provide for adequate space surrounding work area and non-glare, overhead lighting.
22. Keep the floor around the machine clean and free of scrap material, oil and grease.
23. Keep visitors a safe distance from the work area. **Keep children away.**
24. Make your workshop child proof with padlocks, master switches or by removing starter keys.
25. Give your work undivided attention. Looking around, carrying on a conversation and “horse-play” are careless acts that can result in serious injury.
26. Maintain a balanced stance at all times so that you do not fall into the blade or other moving parts. Do not overreach or use excessive force to perform any machine operation.
27. Use the right tool at the correct speed and feed rate. Do not force a tool or attachment to do a job for which it was not designed. The right tool will do the job better and safer.
28. Use recommended accessories; improper accessories may be hazardous.
29. Maintain tools with care. Keep saw blades sharp and clean for the best and safest performance. Follow instructions for lubricating and changing accessories.
30. Turn off the machine before cleaning. Use a brush or compressed air to remove chips or debris — do not use your hands.
31. Do not stand on the machine. Serious injury could occur if the machine tips over.
32. Never leave the machine running unattended. Turn the power off and do not leave the machine until it comes to a complete stop.
33. Remove loose items and unnecessary work pieces from the area before starting the machine.

Familiarize yourself with the following safety notices used in this manual:

CAUTION This means that if precautions are not heeded, it may result in minor injury and/or possible machine damage.

WARNING This means that if precautions are not heeded, it may result in serious injury or possibly even death.

⚠️WARNING

The most common accidents among table saw users, according to statistics, can be linked to kickback, the high-speed expulsion of material from the table that can strike the operator. Kickback can also result in operator's hands being pulled into the blade.

Kickback Prevention

Tips to avoid the most common causes of kickback:

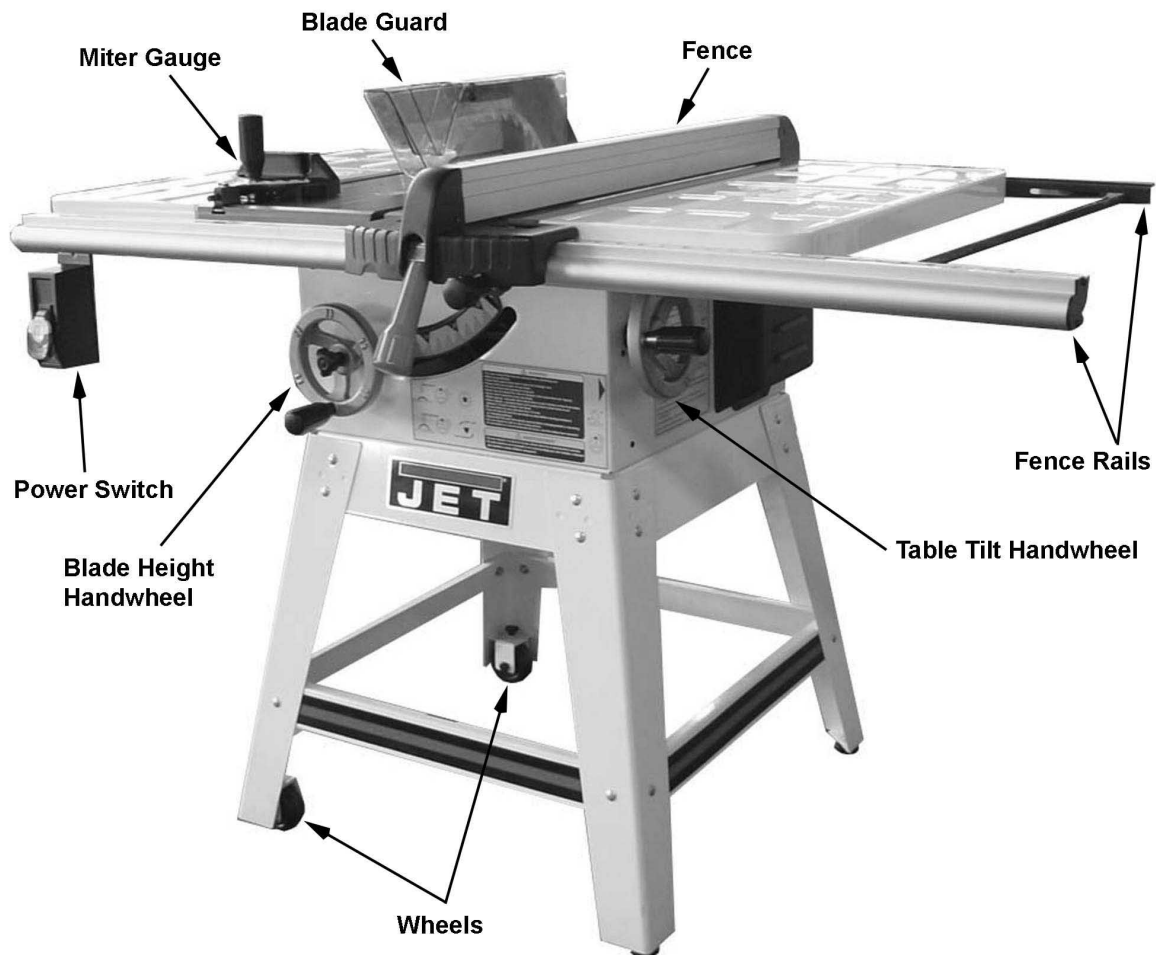
- Make sure the blade splitter is always aligned with the blade. A workpiece can bind or stop the flow of the cut if the blade splitter is misaligned and result in kickback.
- Use the blade splitter during every cut. The blade splitter maintains the kerf in the workpiece, which will reduce the chance of kickback.
- Never attempt freehand cuts. The workpiece must be fed perfectly parallel with the blade, otherwise kickback will likely occur. Always use the rip fence or crosscut fence to support the workpiece.
- Make sure that the rip fence is parallel with the blade. If not, the chances of kickback are very high. Take the time to check and adjust the rip fence.
- Feed cuts through to completion. Anytime you stop feeding a workpiece that is in the middle of a cut, the chance of binding, resulting in kickback, is greatly increased.

Protection Tips from Kickback

Kickback can happen even if precautions are taken to prevent it. Listed below are some tips to protect you if kickback DOES occur:

- Stand to the side of the blade when cutting. An ejected workpiece usually travels directly in front of the blade.
- Wear safety glasses or a face shield. Your eyes and face are the most vulnerable part of your body.
- Never place your hand behind the blade. If kickback occurs, your hand will be pulled into the blade.
- Use a push stick to keep your hands farther away from the moving blade. If a kickback occurs, the push stick will most likely take the damage that your hand would have received.

Features



Specifications

Model Number	JWTS-10
Stock Number	708100
Blade Diameter	10"
Arbor Diameter	5/8"
Maximum Depth of Cut	3-1/8"
Maximum Rip to Right of Blade	30"
Maximum Rip to Left of Blade	12"
Maximum Depth of Cut at 45°	2-1/8"
Table in Front of Blade at Maximum Cut (in)	10-1/2"
Maximum Width of Dado	13/16"
Maximum Diameter of Dado	8"
Table Height	36-1/2"
Table Size (Cast Iron) with Extensions	27" x 44"
Table Size (Cast Iron) without Extensions	27" x 20"
Overall Dimensions (D x W x H)	40" x 55-1/2" x 42"
Arbor Speed	3600 RPM
Motor	115/230V, 60Hz, 1Ph, 1-1/2HP, Prewired 115V
Net Weight	205 lbs
Gross Weight	214 lbs

The specifications in this manual are given as general information and are not binding. WMH Tool Group reserves the right to effect, at any time and without prior notice, changes or alterations to parts, fittings, and accessory equipment deemed necessary for any reason whatsoever.

Definitions And Terminology

Arbor: Metal shaft that connects the drive mechanism to the blade.

Bevel Edge Cut: Tilt of the saw arbor and blade between 0° and 45° to perform an angled cutting operation.

Blade Guard: Mechanism mounted over the saw blade to prevent accidental contact with the cutting edge.

Crosscut: Sawing operation in which the miter gauge is used to cut across the grain of the workpiece.

Dado Blade: Blade(s) used for cutting grooves and rabbets.

Dado Cut: Flat bottomed groove in the face of the workpiece made with a dado blade.

Featherboard: Device used to keep a board against the rip fence or table that allows the operator to keep hands away from the saw blade.

Kerf: The resulting cut or gap made by a saw blade.

Kickback: An event in which the workpiece is lifted up and thrown back toward an operator, caused when a work piece binds on the saw blade or between the saw blade and rip fence (or other fixed object). To minimize or prevent injury from kickbacks, see the *Operating Instructions* section.

Miter Gauge: A component that controls the workpiece movement while performing a crosscut of various angles.

Non-Through Cut: A sawing operation that requires the removal of the blade guard splitter, resulting in a cut that does not protrude through the top of the workpiece (includes Dado and rabbet cuts).

The blade guard and splitter must be re-installed after performing a non-through cut to avoid accidental contact with the saw blade during operation.

Parallel: Position of the rip fence equal in distance at every point to the side face of the saw blade.

Perpendicular: 90° (right angle) intersection or position of the vertical and horizontal planes such as the position of the saw blade (vertical) to the table surface (horizontal).

Push Board/Push Stick: An instrument used to safely push the workpiece through the cutting operation.

Rabbet: A cutting operation that creates an L-shaped channel along the edge of the board.

Rip Cut: A cut made along the grain of the workpiece.

Splitter: Metal plate to which the blade guard is attached that maintains the kerf opening in the workpiece when performing a cutting operation.

Standard Kerf: 1/8" gap made with a standard blade.

Straightedge: A tool used to check that a surface is flat or parallel.

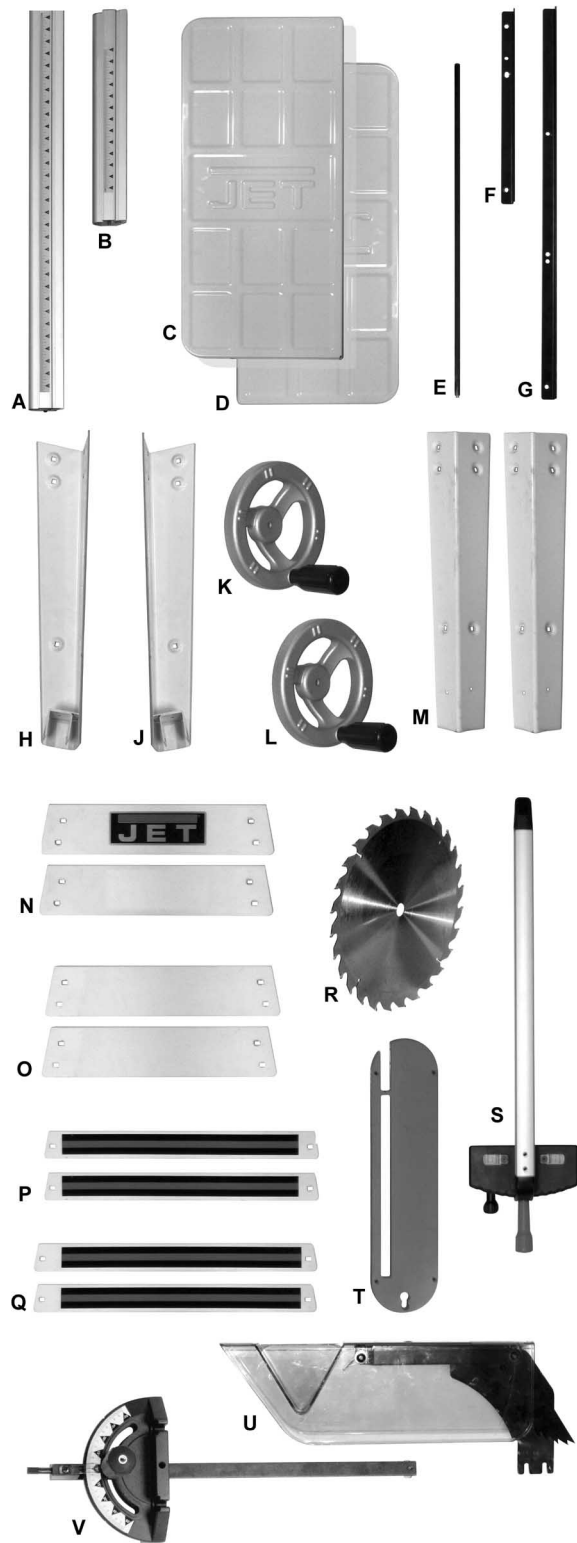
Through Sawing: A sawing operation in which the workpiece thickness is completely sawn through. Proper blade height usually allows a 1/8" of the top of the blade to extend above the wood stock.

⚠ WARNING Read and understand the entire contents of this manual before attempting assembly or operation! Failure to comply may cause serious injury!

Shipping Contents

Carton Contents

- 1 ea Table Saw (not shown)
- 1 ea Front Rail – Long (A)
- 1 ea Front Rail – Short (B)
- 1 ea Extension Wing – Left (C)
- 1 ea Extension Wing – Right (D)
- 1 ea Support Rod with mounting screw and washer (E)
- 1 ea Rear Rail – Short (F)
- 1 ea Rear Rail – Long (G)
- 1 ea Left Leg – Rear (H)
- 1 ea Left Leg – Front (J)
- 1 ea Handwheel – Large Mounting Hole (K)
- 1 ea Handwheel – Small Mounting Hole (L)
- 2 ea Right Leg (M)
- 2 ea Top Plate – Short (N)
- 2 ea Top Plate – Long (O)
- 2 ea Support Plate – Short (P)
- 2 ea Support Plate – Long (Q)
- 1 ea Saw Blade (R)
- 1 ea Fence (S)
- 1 ea Table Insert (T)
- 1 ea Blade Guard Assembly (U)
- 1 ea Miter (V)



Carton Contents

Hardware

The shipping carton includes two hardware bags with parts for assembling the JWTS-10 Table Saw. Hardware bag JWTS10-HP contains six packets of parts and JWTS10-SHP contains three packets of parts. If either bag is missing the proper number of packets, contact customer service (phone number on cover and back pages).

Remove contents from all packets and sort. Hardware contents can be identified by the illustration to the right and quantities can be verified from the list below.

- 2 3/8"-16 x 2.5" Hex Cap Screw (AA)
- 2 3/8" Nylon Insert Lock Nut (BB)
- 18 M8x20 Hex Cap Screw (CC)
- 24 M8x12 Carriage Bolt (DD)
- 36 M8 Flat Washer (EE)
- 40 M8 Hex Nut (FF)
- 6 M8 Square Head Bolt (GG)
- 20 M8 Lock Washer (HH)
- 1 M5x12 Socket Head Cap Screw (JJ)
- 1 M5 Lock Washer (KK)
- 4 5/16" Hex Nut (LL)
- 2 M6x10 Pan Head Screw (MM)
- 2 M6 Washer (NN)
- 2 M6 Square Nut (OO)
- 2 Wheel (RR)
- 1 Lock Knob for Front Handwheel (SS)
- 1 Bushing (TT)
- 2 Foot Pad (UU)
- 2 Lock Knob for Wheels (VV)

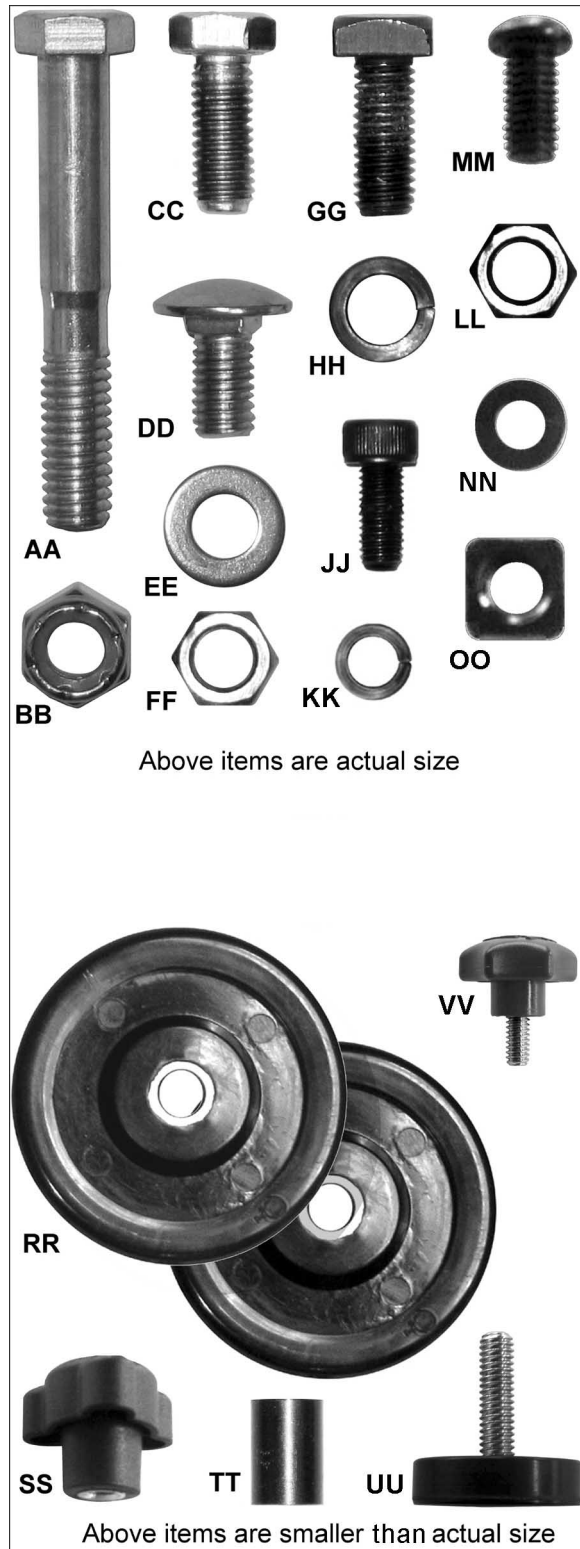
Tools Included for Assembly

- 2 Arbor/Blade Guard Bracket Wrench
- 1 Hex Wrench (2.5mm)
- 1 12-14mm Open End Wrench

Additional Tools Required

- 1 No. 1 and No. 2 Cross Point Screwdrivers
- 1 6"- 8" Adjustable Wrench
- 1 Accurate Straight Edge (approximately 2 ft)
- 1 4mm Hex Wrench
- 1 13mm Box Wrench

Note: Use of sockets and ratchets will speed assembly time but are not required.



Hardware Contents

Assembly

⚠WARNING Read and understand all assembly instructions before attempting assembly! Failure to comply may cause serious injury!

Unpacking and Cleanup

1. Remove all contents from the shipping carton. Keep the saw table upside down (Figure 1) and place on a two-by-four or similar piece of wood under the rear of the saw. This will help when picking up the table again. Do not discard the carton or packing material until the saw is assembled and is running satisfactorily.
2. Inspect the contents for shipping damage. Report damage, if any, to your distributor.
3. Compare the contents of the shipping carton with the contents list in this manual. Report shortages, if any, to your distributor.



Figure 1

Stand Assembly

Refer to Figure 2.

Tool required – 12mm wrench

Mounting Hardware – the stand (excluding wheels) is assembled using 24 each of the following: M8x16 carriage bolts (D), M8 flat washers (E), and M8 hex nuts (F).

The legs consist of one left front leg, one left rear leg and two right legs. The left legs contain the wheel mounting brackets and are not interchangeable. The right legs are interchangeable. Refer to Figure 2 for identification and orientation.

1. Assemble the front left and rear left legs (A, B) to a long top plate (C) using the mounting hardware listed above. Hand-tighten only at this time. The long top plates have no cutouts.

Note: For entire assembly place plates inside legs.

2. Assemble the right legs (G_1 , G_2) to the remaining long top plate (C) in the same manner.
3. Assemble the short top plate with the JET logo (H) to the front stand legs (A, G_1) using the same combination of hardware as used to attach the long top plates. Hand-tighten the hardware only at this time.
4. Assemble the remaining short top plate (J) to the rear stand legs (B, G_2) in the same manner.
5. Assemble two long support plates (K) to the inside of the left stand legs (A, B) and right stand legs (G_1 , G_2) respectively with the same hardware. Hand-tighten only at this time.

Note: The long support plates have no cutouts.

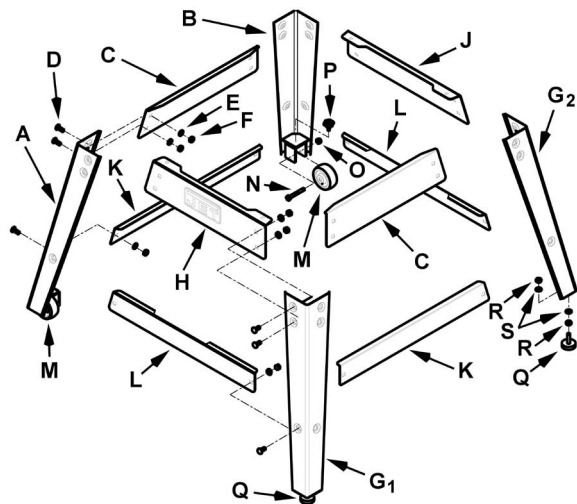


Figure 2

6. Assemble two short support plates (L) to the inside of the front stand legs (A, G_1) and rear stand legs (B, G_2) respectively with the same hardware. Hand-tighten only at this time.
- Note:** The short support plates have cutouts.
7. Assemble two wheels (M) to the left legs with two 3/8"-16 x 2.5" hex cap screws (N) and two 3/8"-16 nylon insert lock nuts (O) and tighten with two 13mm wrenches.
 8. Place two wheel lock knobs (P) on the brackets above the wheels.
 9. Attach wheel pad assemblies to the right legs (no wheels), each assembly consisting of one threaded wheel pad (Q), two 5/16" hex nuts (R) and two M8 flat washers (S).

Assembling the Saw to the Stand

⚠ WARNING Do not plug the table saw into the power source until all assembly has been completed! Failure to comply may cause serious injury!

1. Turn the stand upside down and place onto the table saw (Figure 3)

Note: The side with the JET logo (A) is the front side of the stand and will be on the same side as the Warning label (B) on the table saw.

Line up the holes in the top plates of the stand with the holes in the table saw (C) so that the front of the stand is flush with the front of the saw. The sides of the stand should also be flush with the sides of the saw.

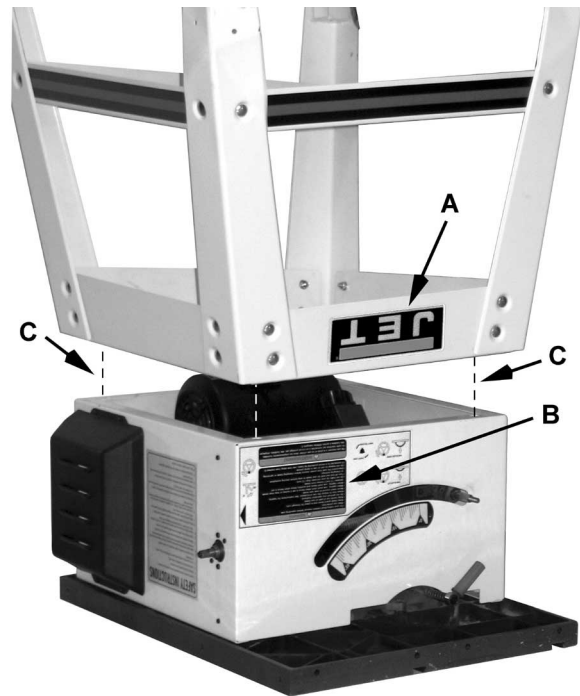


Figure 3

2. Attach the saw to the stand with four M8x20 hex cap screws, eight M8 flat washers and four M8 hex nuts using Figure 4 as a guide. Tighten the saw to the stand hardware firmly.
3. Turn the table saw right side up. Make sure the saw is sitting level and with a 12mm wrench tighten all stand hardware.

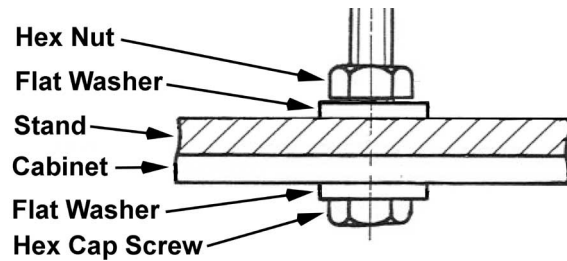


Figure 4

Blade Tilt Pointer

Referring to Figure 5:

Secure the *blade tilt pointer* (B) on the front of the saw onto the *bracket* (C) next to the *shaft* (D) with an M4 screw (A) and tighten with a cross-point screwdriver.

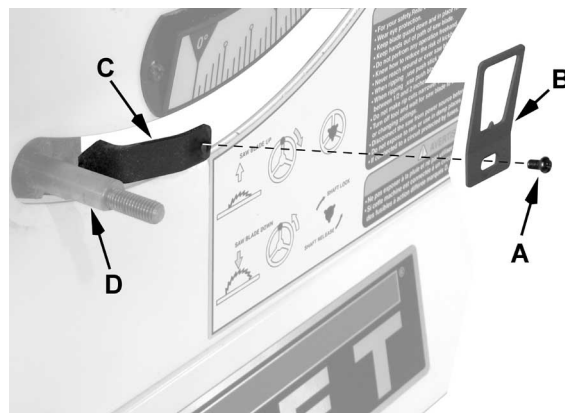


Figure 5

Handwheels

Referring to Figure 6:

The JWTS-10 Table Saw comes equipped with two handwheels which look identical except for the mounting holes as follows:

1. On the front of the table saw slide the *bushing* (C) onto *shaft* (D) followed by the *handwheel* (A) with the *larger mounting hole*, making sure to line up the flat side in the hole with the flat side on the shaft.
2. Fasten in place with *lock knob* (B).
3. Slide the remaining *handwheel* (D) with the *smaller mounting hole* onto the *shaft* (F) on the right side of the table saw, lining up the flat side in the hole with the flat side on the shaft.
4. Secure with an M5 *lock washer* (E) and M5x12 *socket head cap screw* (F).

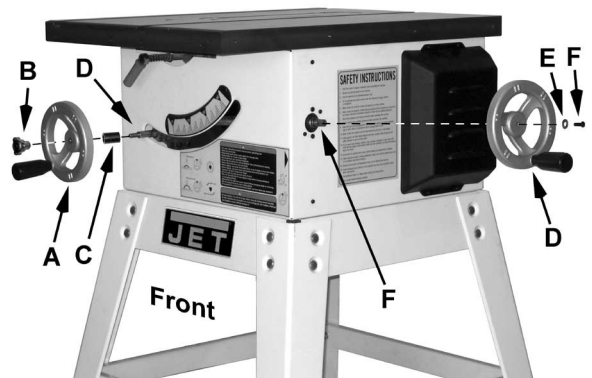


Figure 6

Extension Wings

Referring to Figure 7:

1. Attach the *right extension wing* (A) to the *table* (B) on the right side using four M8 *hex cap screws* (C) and four M8 *lock washers* (D). Hand-tighten only at this time.
2. Repeat for the left side.

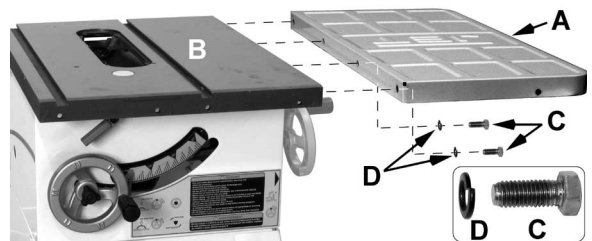


Figure 7

Rear Guide Rail

Referring to Figure 8:

Required Fastening Hardware:

- A – 1 ea – Rear Rail (Long)
- H – 1 ea – Rear Rail (Short)
- E – 6 ea – Hex Cap Screws (M8x20)
- F – 6 ea – Lock Washers (M8)
- G – 6 ea – Hex Nuts (M8)

Required Tools:

Two 12mm wrenches

1. Place the *long rail* (A) against the back of the *right extension* (B) and *table* (C). Line up the mounting holes.
2. Insert three *hex cap screws* (E) through the *rail*, *extension* and *table*.
3. Place *lock washers* (F) and *hex nuts* (G) on the threaded ends of the screws and hand-tighten only at this time.
4. Place the *short rail* (H) against the back of the *table* (C) and *left extension* (D). Line up the mounting holes.
5. Insert three *socket head cap screws* (E) through the *rail*, *extension* and *table*.
6. Place *lock washers* (F) and *hex nuts* (G) on the threaded ends of the screws and hand-tighten only at this time.

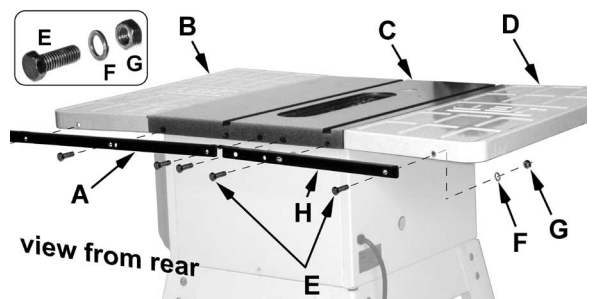


Figure 8

Front Guide Rail

Referring to Figure 9:

Required Fastening Hardware (see also inset):

A – 6 ea – Square Head Bolt (M8)

B – 6 ea – Lock Washer (M8)

C – 6 ea – Hex Nuts (M8)

Required Tools:

– 12mm wrench

1. Place six *square head bolts* (A) through the mounting holes on the front of the left *extension* (F), *table* (G) and *right extension* (H).
2. Place *lock washers* (B) and *hex nuts* (C) on the threaded ends of the bolts protruding through the extensions and table. Just start the hex nuts but do not tighten.
3. Position all six *bolts* so that approximately 1/4" of thread is visible between the bolt heads and extensions/table (J).
4. Slide the short rail (D) onto the front edge of the extension and table from left to right (K). The back edge of the rail should make contact with the front edge of the extension and table and the square head bolts should slide into the groove on the back side of the rail.
5. In the same manner described in step 4, slide the long rail (E) onto the front edge of the extension and table from right to left (L).
6. Slide the short and long rail sections together so they become one piece. The protruding pins from the short rail should insert into the corresponding openings in the long rail.
7. Position the entire rail assembly so the left end of the rail is about 0.75" in from the edge of the left extension.
8. Hand-tighten only the *hex nuts* (C) that secure the front rail to the table.

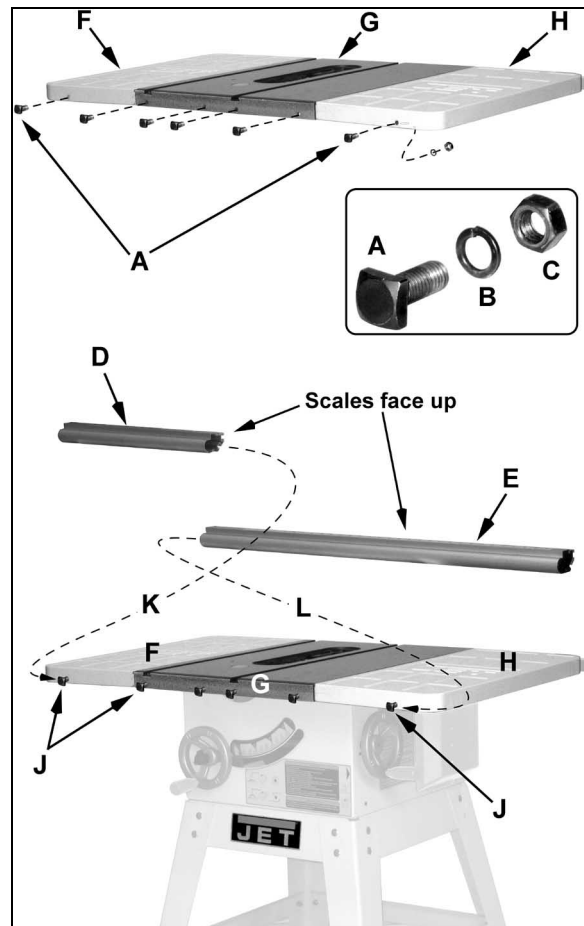


Figure 9

Support Rod

Referring to Figure 10:

1. Place the *tenon end* (A) of the *support rod* into the *slot* (B) of the *front rail*.
2. Secure the *tapped and threaded end* (C) of the *support rod* to the *rear rail* (D) with the M6 *flat washer* (E) and M6 *hex cap screw* (F) provided.

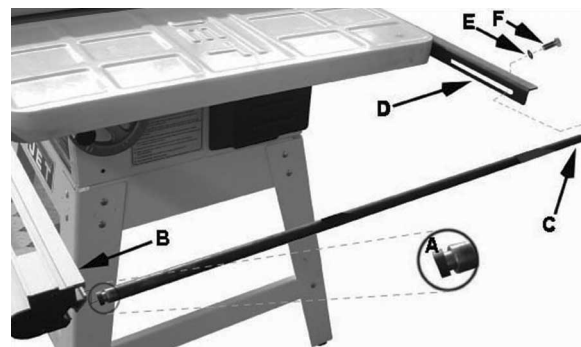


Figure 10

Switch Bracket

Referring to Figure 11:

1. Insert two M6x12 *pan head screws* (A) through the back of the switch bracket *mounting holes* (B). Place M6 *washers* (C) and *square nuts* (D) on the threaded ends of the screws.
2. Mount the *switchbox* (C) onto the *rail* (F) such that the *square nuts* (A) slide into the *groove* (E) on the lower back side of the rail.

Tighten screws with a cross point screwdriver.

Extension Wing Adjustment

Referring to Figure 12:

1. Level the left *extension wing* (B) to the *saw table* (C) by using a *straight edge* (A). Start by tightening the three *screws* (12mm wrench required) under the *extension wing* (B) that secures it to the *table* (C). Tighten these just enough to hold the wing in place but loose enough to change the wing height by tapping on it.
2. Use the *straight edge* (A) to level the *inside edge* of the *extension wing* (B) to the *table* (C). Tighten the three *screws* that hold the *wings* (B) to the *table* (C).
3. Next bring the straight edge out to the highest point on the *outside edge* of the wing *at the front* (A) of the saw. You may have to grab the outside edge of the extension wing and pull up or push down to level. Once the highest point at the front of the saw is located and leveled, tighten the hardware holding the extension wing to the front rail.
4. Move the *straight edge* (D) to the rear of the same extension wing and repeat this process.
5. Repeat steps 1 – 4 for the right extension wing.

Blade Guard and Splitter

Referring to Figure 13:

1. Through the saw table opening on top, locate two *hex nuts* (A₁) that secure two *retaining plates* (B) and loosen with a 10mm wrench.
2. Slide the *tab* of the blade guard splitter (C) between the two *retaining plates* (B) and onto the threaded *mounting studs* (D).

Note: The *anti-kickback pawls* (E) should be held back when performing this step.

3. Tighten the *hex nuts* (A₁) enough to hold the *tab* (C) in place but loose enough to allow for adjustment. You will need to install the blade before the final adjustment.

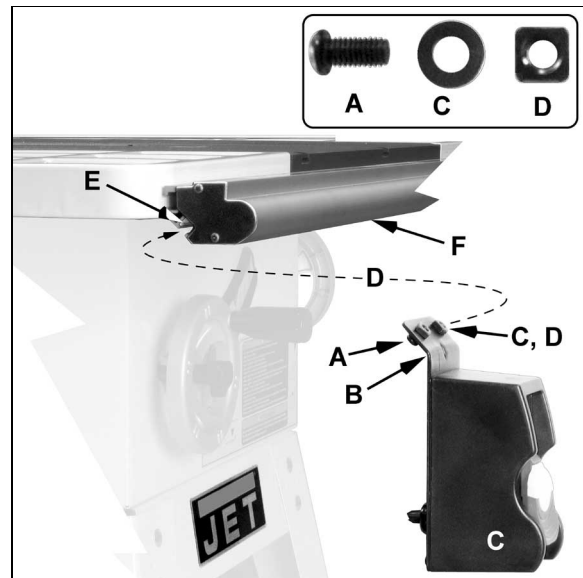


Figure 11

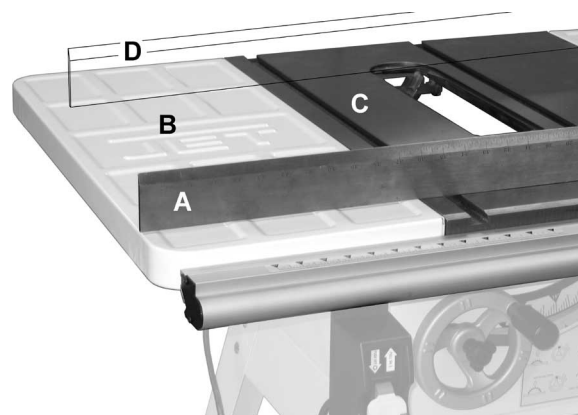


Figure 12

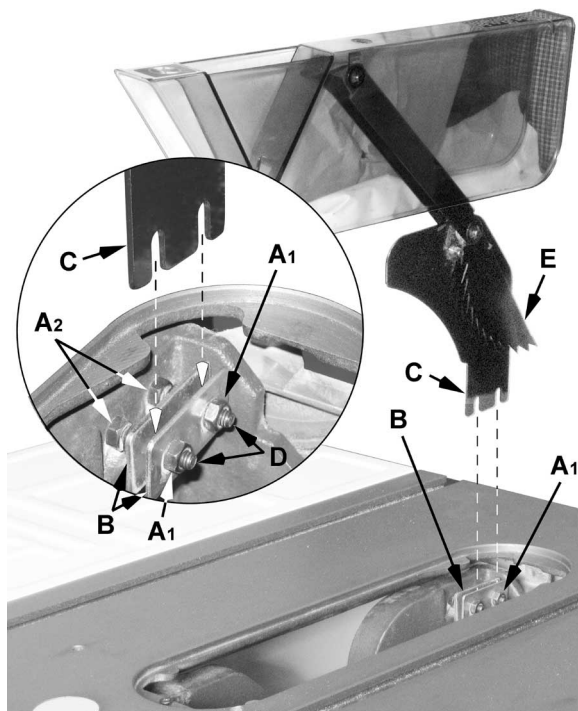


Figure 13

Installing/Replacing the Blade

⚠WARNING When installing or changing the saw blade, always disconnect the saw from the power source! Failure to comply can cause serious injury!

1. Using the handwheels, raise the blade arbor fully and lock the saw at zero degrees by tightening the lock knob in the middle of the hand wheel.

Referring to Figure 14:

2. Using the tools provided, remove the *arbor nut* (A) and *outer flange* (B). If replacing blade, remove the old blade.
3. Place the *blade* (C) on the *arbor shaft* (E) making sure that the teeth point down at the front of the saw (note the blade orientation in Figure 14). Replace the flange (B) and arbor nut (A).
4. Tighten the arbor nut (A).

Aligning the Blade Guard and Splitter

Referring to Figure 15:

1. Raise the *blade guard* (A) away from the table and hold the *anti-kick pawls* (B) away from the table surface.
2. Place an accurate straight edge (C) against the saw blade (D) and splitter (E). For proper alignment, the blade and splitter should be perfectly in line with the straight-edge.

If alignment is required:

3. Move the straight-edge aside and through the opening (see inset) locate four *hex nuts* (F, G) and two *retaining plates* (H) that secure the splitter tab (J).
4. Slightly loosen the *hex nuts* (F, G).
5. To move the splitter (E) right or left, adjust all four nuts evenly to move the retaining plate and tab accordingly. To tilt the angle of the splitter to achieve alignment, adjust the two *front hex nuts* (F) or two *rear hex nuts* (G) only.
6. When adjustment is complete, tighten the *hex nuts* (F, G).
7. Check the alignment by repeating steps 1 and two. If necessary repeat steps 3–8 until proper alignment is achieved.

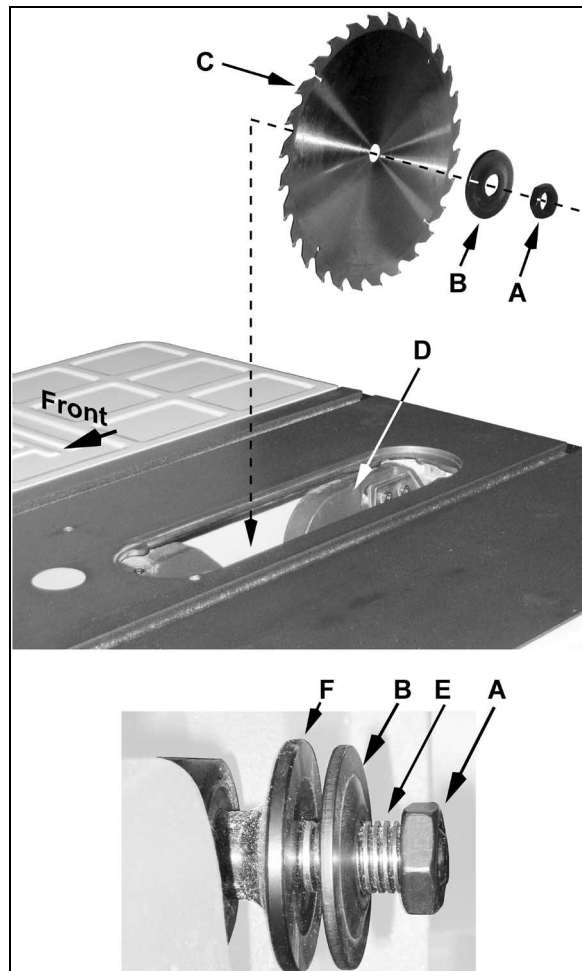


Figure 14

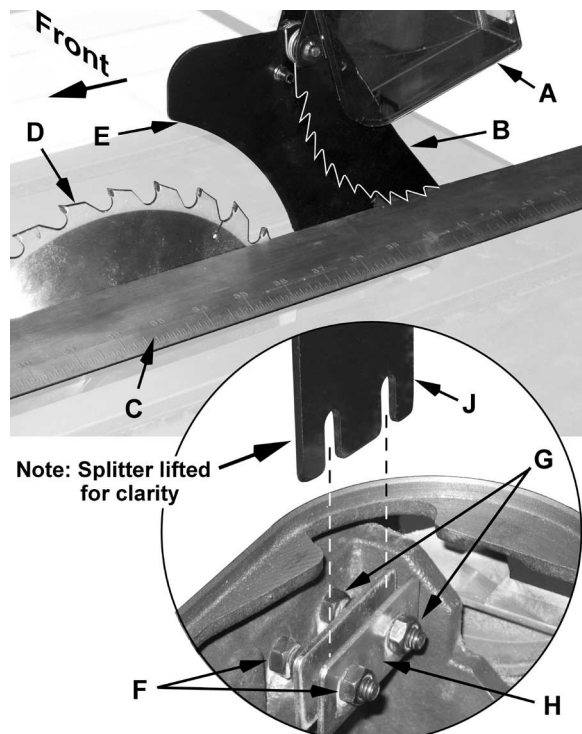


Figure 15

Table Insert

Referring to Figure 16:

1. Raise the blade guard assembly.
2. Lower the blade completely.
3. Place the *table insert* (A) into the opening with the *notched end* (B) towards the *splitter* (C).

A *clip* underneath the notch secures the insert to the table at the rear; an *M5 flat head screw* (E) secures the insert at the front.

4. Adjust the insert (A) flush with the table by turning four leveling *setscrews* (D) and using a *straight edge* (F). A 2.5mm hex wrench is required to adjust the setscrews.

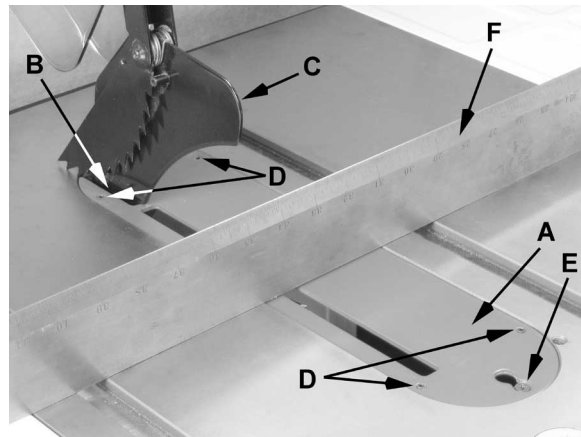


Figure 16

Rip Fence

Attaching the Rip Fence

Referring to Figure 17:

1. Raise the rip fence *handle* (A) as shown.
2. Position the *rip fence* (B) over the *table* (C) as shown, holding up the front end while engaging the *holding clamp* (D) to the rear, then lowering the *front end* (E) onto the *rail* (F).
3. Lower the *handle* (A) to clamp the fence to the table.

Note: If the rip fence does not hold onto the rail tight enough when the handle is lowered, adjust the *hex nut* (G) with a 10mm socket.

Calibrating the Rip Fence Scale

1. Attach the *rip fence* to the *table* (as described in the previous section) to the right of the *saw blade*, but do not lower the *handle* to clamp the fence to the table.
2. Slide the *fence* against the *saw blade*.

You will need to raise the *blade guard* and the *anti-kick pawl* to provide clearance for the fence.

With the fence snug against the saw blade, clamp the fence in position by lowering the handle. The *hairline indicator* (A) should line up with 0" on the *rail* (C). If they do not line up:

3. With a 12mm wrench, slightly loosen the six hex nuts that secure the *front rail* (F) to the *table* (C) and *extension wings*.
4. Adjust the position of the front rail so the red *hairline indicator* (A, Fig. 17) on the fence scale lines up with 0" (B, Fig. 18) on the rail. Remember to keep the fence snug against the saw blade.

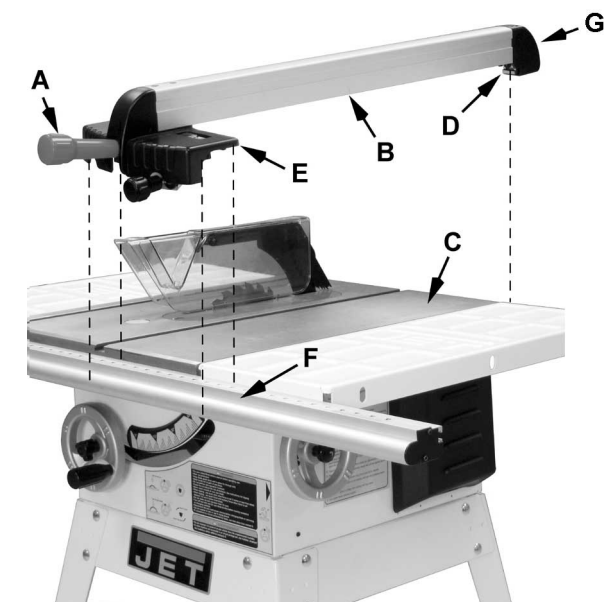


Figure 17

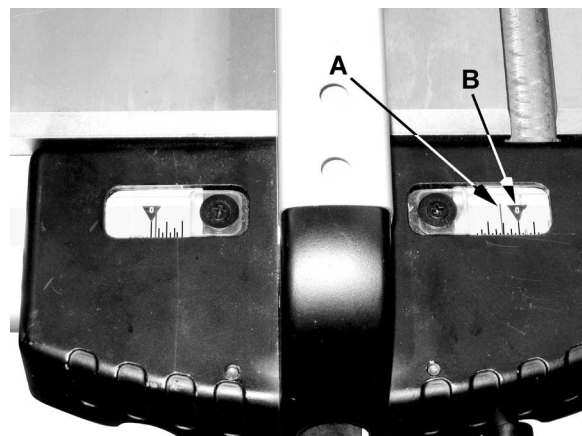


Figure 18

5. When alignment is complete, tighten the six hex nuts securing the front rail.

This fence is positioned by lifting up the *lock handle* (A, Fig. 19) and sliding to the desired location. "Fine-tuning" is accomplished by pushing the micro-adjust knob *in* (B, Fig. 19) and at the same time *turning* it (C, Fig. 19) until the exact position is read on the scale.

Miter Gauge

Operation

Referring to Figure 20:

Operate the miter gauge by loosening the *lock knob* (A) and turning the *miter body* (B) to the desired angle.

The *pin* (C) functions as an index stop. When pushed in, the body will stop at -45° , 90° or $+45^{\circ}$ when turned as one of three *screws* (D) located underneath the miter hits the pin.

Calibration

If a miter angle at the -45° , 90° or $+45^{\circ}$ is not correct, the index stops can be adjusted by turning one of three *adjustment screws* (D), then locking the hex nut.

Note: Always make test cuts. Do not rely solely on miter gauge indicator marks.

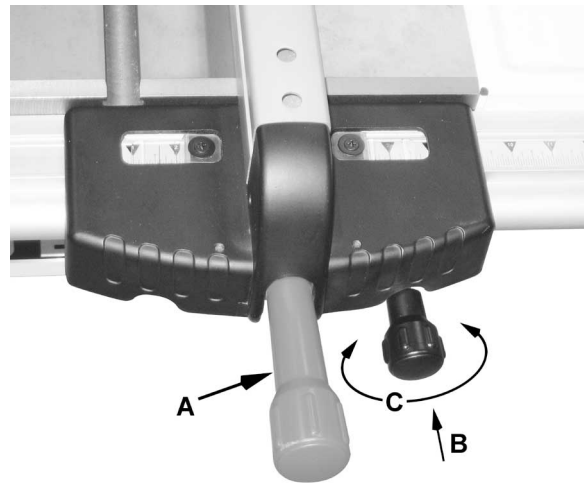


Figure 19

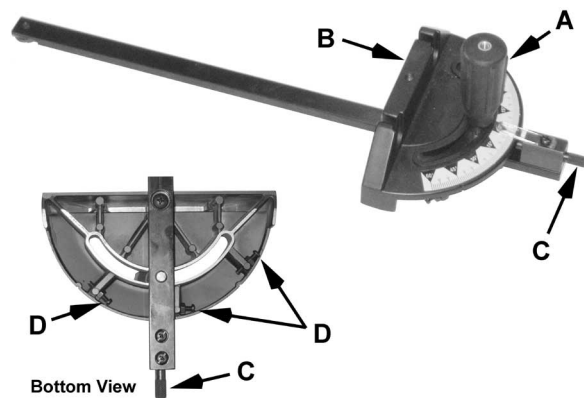


Figure 20

Grounding Instructions

1. All Grounded, Cord-connected Tools:

In the event of a malfunction or breakdown, grounding provides a path of least resistance for electric current to reduce the risk of electric shock. This tool is equipped with an electric cord having an equipment-grounding conductor and a grounding plug. The plug must be plugged into a matching outlet that is properly installed and grounded in accordance with all local codes and ordinances.

Do not modify the plug provided - if it will not fit the outlet, have the proper outlet installed by a qualified electrician.

Improper connection of the equipment-grounding conductor can result in a risk of electric shock. The conductor with insulation having an outer surface that is green with or without yellow stripes is the equipment-grounding conductor. If repair or replacement of the electric cord or plug is necessary, do not connect the equipment-grounding conductor to a live terminal.

⚠ WARNING Check with a qualified electrician or service personnel if the grounding instructions are not completely understood, or if in doubt as to whether the tool is properly grounded. Failure to comply may cause serious injury or death!

Use only 3-wire extension cords that have 3-prong grounding plugs and 3-pole receptacles that accept the tool's plug.

Repair or replace damaged or worn cord immediately.

2. Grounded, cord-connected tools intended for use on a supply circuit having a nominal rating less than 150 volts:

This tool is intended for use on a circuit that has an outlet that looks like the one illustrated in Sketch **A**. **B** and **C**, may be used to connect this plug to a 2-pole receptacle as shown in Sketch **B** if a properly grounded outlet is not available. The temporary adapter should be used only until a properly grounded outlet can be installed by a qualified electrician. (This adapter is not permitted in Canada) The green-colored rigid ear, lug, and the like, extending from the adapter must be connected to a permanent ground such as a properly grounded outlet box.

3. Grounded, cord-connected tools intended for use on a supply circuit having a nominal rating between 150 - 250 volts, inclusive:

This tool is intended for use on a circuit that has an outlet that looks like the one illustrated in Sketch **D**. The tool has a grounding plug that looks like the plug illustrated in Sketch **D**. Make sure the tool is connected to an outlet having the same configuration as the plug. No adapter is available or should be used with this tool. If the tool must be reconnected for use on a different type of electric circuit, the reconnection should be made by qualified service personnel; and after reconnection, the tool should comply with all local codes and ordinances.

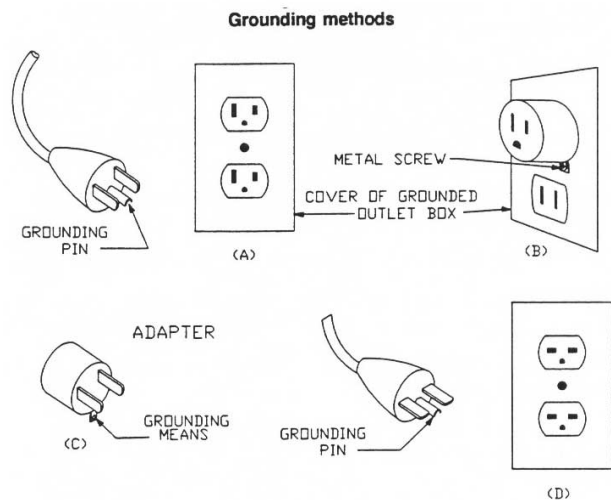


Figure 21

Electrical Connections

The JWTS-10 table saw is rated at 115/230V and comes from the factory prewired at 115V. The table saw comes with a plug designed for use on a *grounded outlet* that looks like the one pictured in **A**.

To switch the motor for 230V operation, follow the wiring diagram found on the inside cover of the motor junction box. The plug on the end of the motor cord will have to be replaced with a plug that is rated 230V.

Before hooking up to the power source, be sure the switch is in the *off* position.

Extension Cord Recommendations

12 Gauge Cord	0 – 25 feet
10 Gauge Cord	0 – 50 feet
8 Gauge Cord	0 – 100 feet

Adjustments

Blade Raising and Tilt Mechanism

CAUTION Never try to force the tilting mechanism past the 45° or 90° stops! This may cause the blade to go out of alignment!

Referring to Figure 22:

To raise or lower the saw blade, loosen the *lock knob* (A) and turn the *handwheel* (B) on the front of the saw until the desired height is reached. Tighten the lock knob. The blade should be adjusted between 1/8" to 1/4" above the top surface of the material being cut.

To tilt the saw blade, turn the *lock handle* (C) counterclockwise to loosen, turn the *handwheel* (D) on the right side of the saw until the desired angle is obtained, then tighten the *lock handle* (C) by turning clockwise.

Adjusting 45° and 90° Positive Stops

1. Disconnect the saw from the power source.
2. Raise the table saw blade to its maximum height using the handwheel.
3. Set the blade at 90° to the table by turning the blade tilting handwheel counterclockwise (D, Fig. 22) as far as it will go. Do not force beyond stop.
4. Place a square (A, Fig. 23) on the table and check to see that the blade (B, Fig. 23) is at a 90° angle to the table. Make sure that the square is not touching a blade tooth.

If adjustment is required:

5. Back out the 90° adjust setscrew (turn counterclockwise) one or two turns with a 4mm hex wrench (C, Fig. 23).
6. Turn the blade tilting handwheel until the blade is exactly 90°.
7. Tighten the 90° adjust setscrew until it stops, but do not force.
8. Set the blade at 45° to the table by turning the blade tilting handwheel clockwise (D, Fig. 22) as far as it will go. Do not force beyond stop.
9. Place a square (D, Fig. 24) on the table and check to see that the blade (E, Fig. 24) is at a 45° angle to the table. Make sure that the square is not touching a blade tooth.

If adjustment is required:

10. Back out the *45° adjust setscrew* (turn counterclockwise) one or two turns with a 4mm

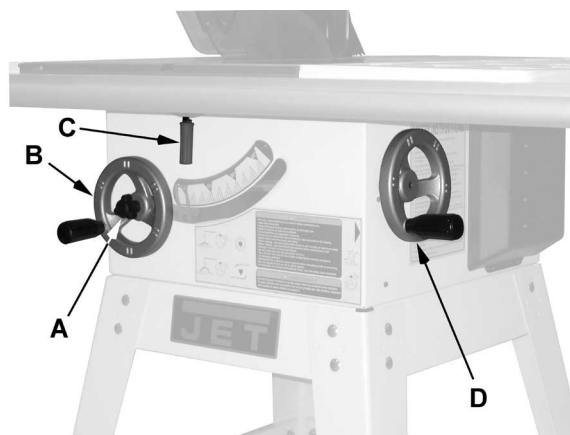


Figure 22

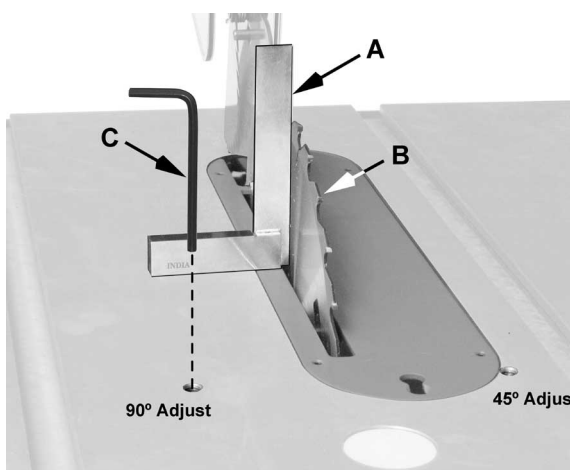


Figure 23

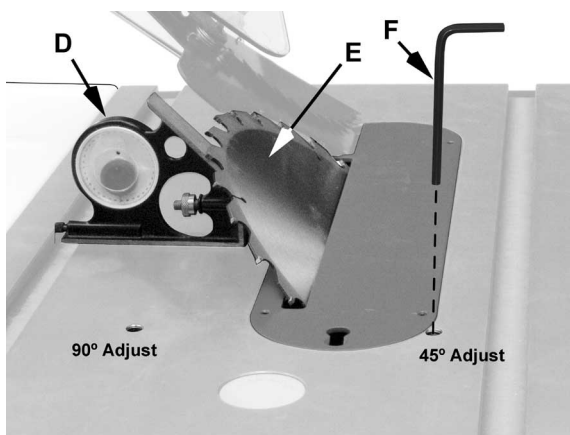


Figure 24

hex wrench (F, Fig. 24).

11. Turn the blade tilting handwheel until the blade is exactly 45°.
12. Tighten the 45° adjust setscrew until it stops, but do not force.

Check to make sure that the pointer on the front of the saw properly indicates 45° or 0° (90°). If not, loosen screw and adjust until the pointer indicates properly

Operations

Table Saws

Familiarize yourself with the location and operation of all controls and adjustments and the use of accessories such as the miter gauge and rip fence.

Kickbacks

Serious injury can result from kickbacks which occur when a work piece binds on the saw blade or binds between the saw blade and rip fence or other fixed object. This binding can cause the work piece to lift up and be thrown toward the operator.

Listed below are conditions, which can cause kickbacks:

- Confining the cutoff piece when crosscutting or ripping.
- Releasing the work piece before completing the operation or not pushing the work piece all the way past the saw blade.
- Not using the splitter when ripping or not maintaining alignment of the splitter with the saw blade.
- Using a dull saw blade.
- Not maintaining alignment of the rip fence so that it tends to angle toward rather than away from the saw blade front to back.
- Applying feed force when ripping to the cutoff (free) section of the work piece instead of the section between the saw blade and fence.
- Ripping wood that is twisted (not flat), or does not have a straight edge, or a twisted grain.

To minimize or prevent injury from kickbacks:

- Avoid conditions listed above.
- Wear a safety face shield, goggles, or glasses.
- Do not use the miter gauge and rip fence in the same operation unless provision is made by use of a facing board on the fence so as to allow the cutoff section of the workpiece to come free before the next cut is started (See Figure 33).
- As the machine receives use, the operation of the anti-kickback pawls should be checked periodically (Figure 24). If the pawls do not stop the reverse motion of a workpiece, sharpen all the points.
- Where possible, keep your face and body out of line with potential kickbacks including when starting or stopping the machine.

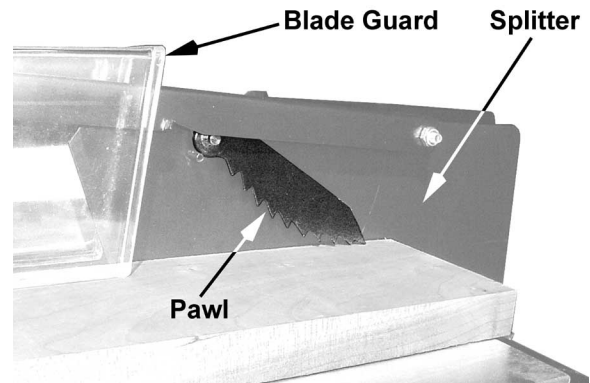


Figure 25

Dull, badly set, improper, or improperly filed cutting tools and cutting tools with gum or resin adhering to them can cause accidents. Never use a cracked saw blade. The use of a sharp, well maintained, and correct cutting tool for the operation will help to avoid injuries.

Support the work properly and hold it firmly against the gauge or fence. Use a push stick or push block when ripping short, narrow (6" width or less), or thin work. Use a push block or miter gauge holddown when dadoing or molding.

For increased safety in crosscutting, use an auxiliary wood facing (Figure 26) attached to the miter gauge using the holes provided in the gauge.

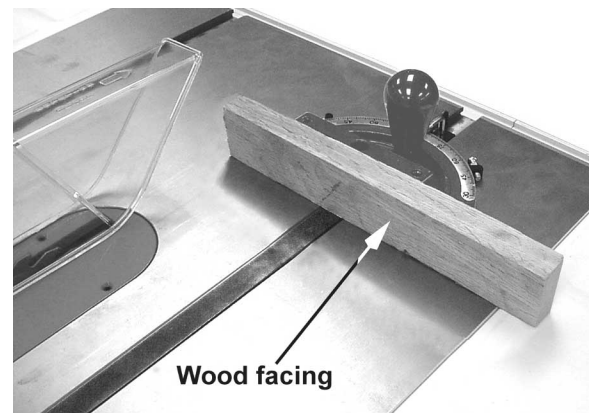


Figure 26

Never use the fence as a length stop when crosscutting. Do not hold or touch the free end or cutoff section of a workpiece. On through-sawing operations, the cutoff section must NOT be confined.

Always keep your hands out of the line of the saw blade and never reach back of the cutting blade with either hand to hold the workpiece.

Bevel ripping cuts should always be made with the fence on the right side of the saw blade so that the blade tilts away from the fence and minimizes the possibility of the work binding and the resulting kickback.

Rip Sawing

Ripping is where the work piece is fed with the grain into the saw blade using the fence as a guide and a positioning device to ensure the desired width of cut (Figure 27).



Figure 27

CAUTION Before starting a ripping cut, be sure the fence is clamped securely and aligned properly.

- Never rip freehand or use the miter gauge in combination with the fence.
- Never rip workpieces shorter than the saw blade diameter.
- Never reach behind the blade with either hand to hold down or remove the cutoff piece with the saw blade rotating.

Always use the blade guard, splitter and anti-kickback pawls. Make sure the splitter is properly aligned. When wood is cut along the grain, the kerf tends to close and bind on the blade and kickbacks can occur.

Note: A caution decal is installed on the guard and splitter assembly warning of the hazard of misalignment.

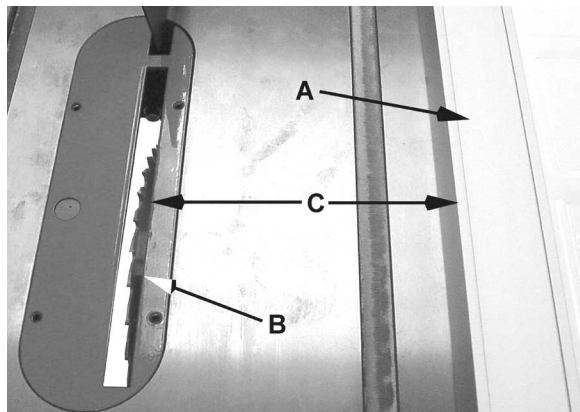


Figure 28

The rip fence (A, Fig. 28) should be set for the width of the cut (C, Fig. 28) by using the scale

on the front rail, or by measuring the distance between the blade (B) and fence (A). Stand out of line with the saw blade and workpiece to avoid sawdust and splinters coming off the blade or a kickback, if one should occur.

If the work piece does not have a straight edge, nail an auxiliary straight edged board on it to provide one against the fence. To cut properly, the board must make good contact with the table. If it is warped, turn the hollow side down.

In ripping, use one hand to hold the board down against the fence or fixture, and the other to push it into the blade between the blade and the fence. If the workpiece is narrower than 6" or shorter than 12", use a push stick or push block to push it through between the fence and saw blade (Figure 29). Never push in a location such that the pushing hand is in line with the blade. Move the hand serving as a hold-down a safe distance from the blade as the cut nears completion. For very narrow ripping where a push stick cannot be used, use a push block or auxiliary fence. Always push the workpiece completely past the blade at the end of a cut to minimize the possibility of a kickback.

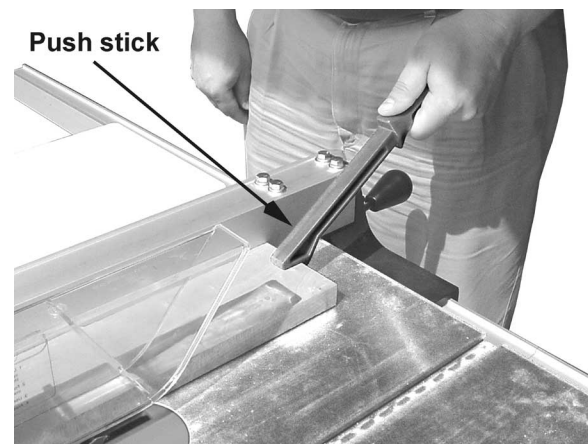


Figure 29

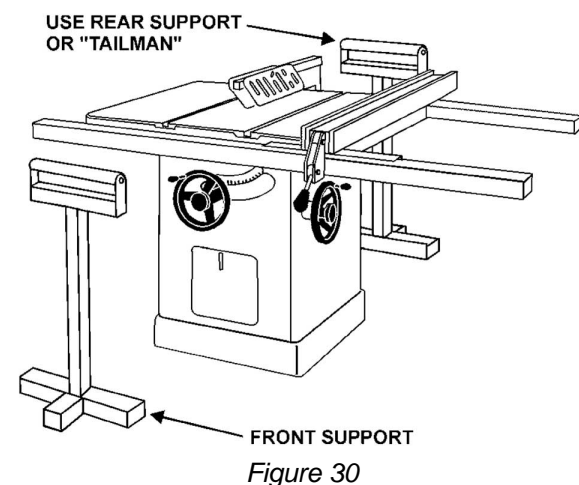


Figure 30

When ripping long boards, use a support at the front of the table, such as a roller stand, and a support or "tailman" at the rear as shown in Figure 30.

Never use the rip fence beyond the point where the carriage is flush with the end of the rails.

Have the blade extend about 1/8" above the top of the workpiece. Exposing the blade above this point can be hazardous.

Resawing

Resawing is a ripping operation in which thick boards are cut into thinner ones. Narrow boards up to 3" can be resawed in one pass. Wider boards up to 6" must be resawed in two passes.

In resawing wider boards, adjust the blade height so as to overlap the two cuts by 1/2" as shown in Figure 31. Too deep a first cut can result in binding and possible kickbacks on the second cut. Always use the same side of the board against the fence for both cuts.

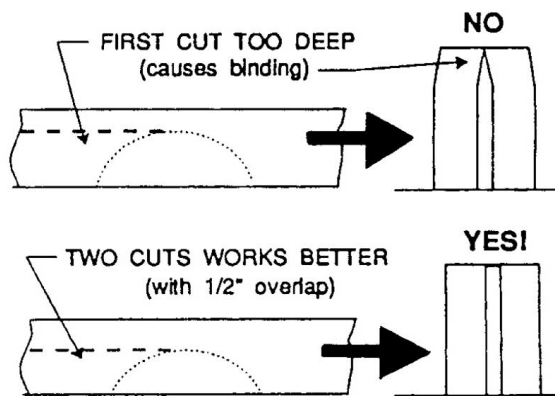


Figure 31

Crosscutting

Crosscutting is where the workpiece is fed cross grain into the saw blade using the miter gauge to support and position the workpiece (Figure 31).



Figure 32

Crosscutting should **never** be done freehand nor should the fence be used as an end stop unless an auxiliary block is clamped to the front of the blade area such that the cutoff piece comes free of the block before cutting starts (Figure 33).

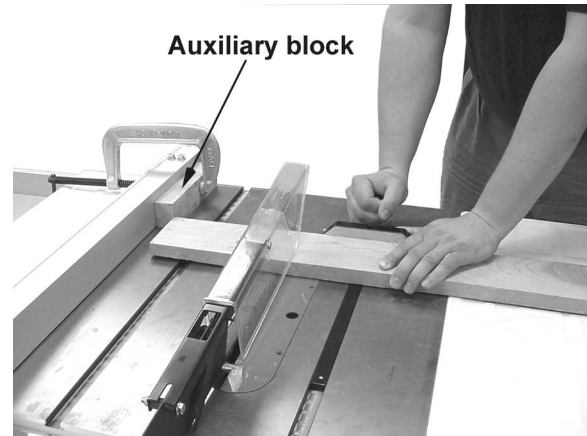


Figure 33

Length stops should not be used on the free end of the workpiece in the cutoff area.

Do **not** crosscut workpieces shorter than 6". Before starting a cut, be sure the miter gauge is securely clamped at the desired angle. Hold the workpiece firmly against the table and back against the miter gauge. **Always** use the saw guard and splitter and make sure the splitter is properly aligned.

For 90 degree crosscutting, most operators prefer to use the left-hand miter gauge slot. When using it in this position, hold the workpiece against the gauge with the left hand and use the right hand to advance the workpiece. When using the right hand slot for miter and compound crosscutting so that the blade tilts **away** from the gauge, the hand positions are reversed.

When using the miter gauge, the workpiece must be held firmly and advanced smoothly at a slow rate. If the workpiece is not held firmly, it can vibrate causing it to bind on the blade and dull the saw teeth.

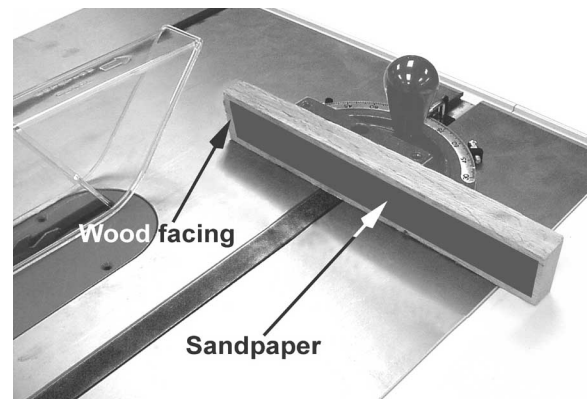


Figure 34

To improve the effectiveness of the miter gauge in crosscutting, some users mount an auxiliary wooden extension face (with a glued-on strip of sandpaper) to the miter gauge as shown in Figure 34.

Provide auxiliary support for any workpiece extending beyond the table top with a tendency to sag and lift off the table.

Stop rods can be used in the holes provided in the miter gauge for repetitive work of equal length. Do not use a stop rod on the free end of a workpiece. It should be used on the side of the miter gauge opposite the saw blade.

Have the blade extend about 1/8" above the top of the workpiece. Exposing the blade above this point can be hazardous.

Align-a-rip

The yellow align-a-rip pad on the saw table is used for creating a mark that *lines up the workpiece with the saw blade*. After the first workpiece is cut with the miter gauge, turn the saw off and pull the miter gauge together with the workpiece back. The workpiece must be unmoved and still against the miter fence. The *cut edge* of the workpiece is pulled *over the pad* and the pad can be marked with a pencil (A, Fig. 35). Now, when cutting the next marked workpiece, the workpiece can be lined up with the line on the pad and cut.

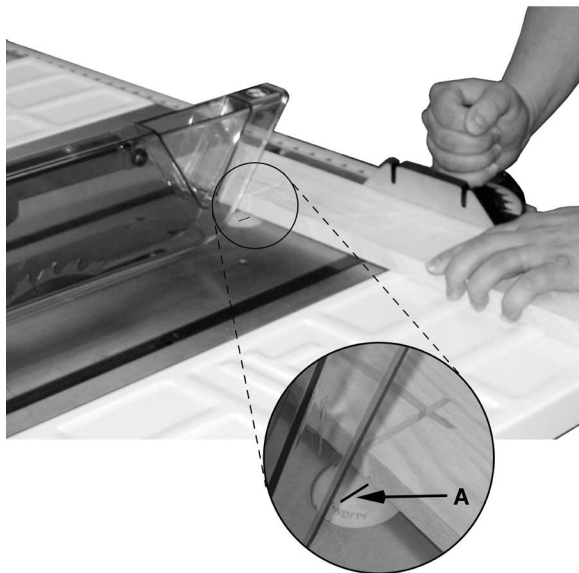


Figure 35

Bevel and Miter Operations

Bevel Cut – A bevel cut is a special type of operation where the saw blade is tilted at an angle less than 90 degrees to the table top (Figure 36). Operations are performed in the

same manner as ripping or crosscutting except the fence or miter gauge should be used on the right-hand side of the saw blade to provide added safety in avoiding a binding action between the saw blade and the table top. When beveling with the miter gauge, the workpiece must be held firmly to prevent creeping.

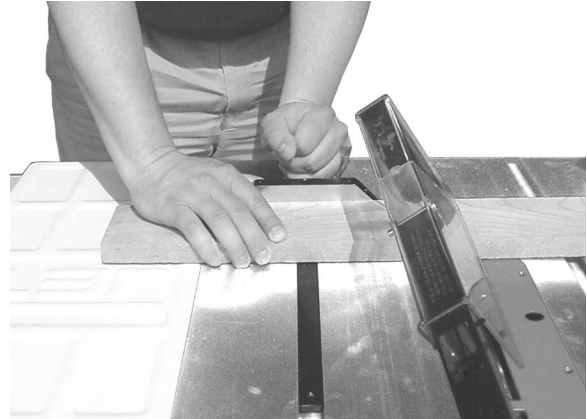


Figure 36

Crosscut – Crosscuts made at an angle to the edge of the workpiece are called miters (Figure 37). Set the miter gauge at the required angle, lock the miter gauge, and make the cut the same as a normal crosscut except the workpiece must be held extra firmly to prevent creeping.

Note: When making compound miters (with blade tilted) use the miter gauge in the **right** hand slot to provide more hand clearance and safety.

Have the blade extend only 1/8" above the top of the workpiece. Exposing the blade above this point can be hazardous.

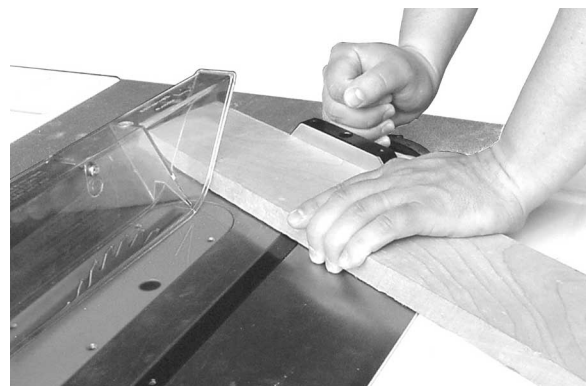


Figure 37

Dado Cutting – Dadoing is cutting a wide groove into a workpiece or cutting a rabbet along the edge of a workpiece. A dado insert, shown in Figure 38, is necessary for this type of operation.

A dado insert (stock # 708098) designed to fit the JWTS-10 Table Saw can be ordered from your dealer or WMH Tool Group.

CAUTION Do not use the standard table insert for dadoing operations.

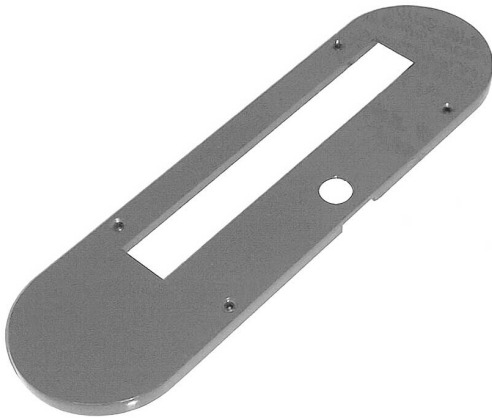


Figure 38

The process of cutting 1/8" to 13/16" grooves in workpieces is accomplished by the use of a stacked dado blade set or an adjustable type blade mounted on the saw arbor. By using various combinations of the stacked dado blades, or properly setting the dial on an adjustable blade, an accurate width dado can be made. This is very useful for shelving, making joints, tenoning, etc. The guard, splitter, and anti-kickback pawls supplied with the saw should be used for all cutting operations where they can be used. When performing operations where the guard can not be used, as in some dadoing operations, alternative safety precautions should be taken. These include push sticks, feather boards, filler pieces, fixtures, jigs and any other appropriate device that can be utilized to keep operator's hands away from the blade. Upon completion of the operation requiring removal of the guard, the entire guard assembly must be placed back on the machine in its proper working order.

CAUTION Never use a dado head in a tilted position. Never operate the saw without the blade guard, splitter and anti-kickback pawls for operations where they can be used.

Safety Devices

Feather Board

The feather board (Figure 39) should be made of straight grain hardwood approximately 1" thick and 4" to 8" wide depending on the size of the machine. The length is developed in accordance with intended use. Feather boards can be fastened to the table or rip fence by use of C-clamps. Alternatively, drilled and tapped holes in the table top allow the use of wing nuts and washers as a method of clamping. If this method of fastening is used, provide slots in the feather board for adjustment. (The illustration shows a method of attaching and use of the feather board as a vertical comb. The horizontal application is essentially the same except that the attachment is to the table top.)

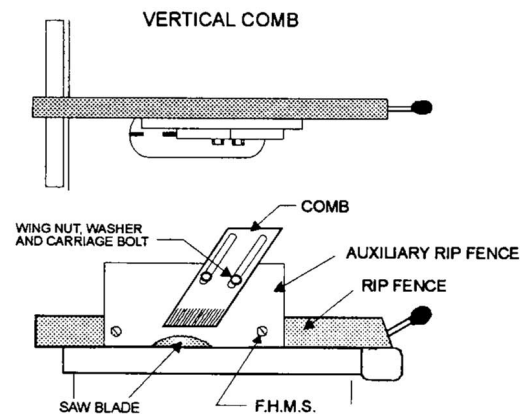
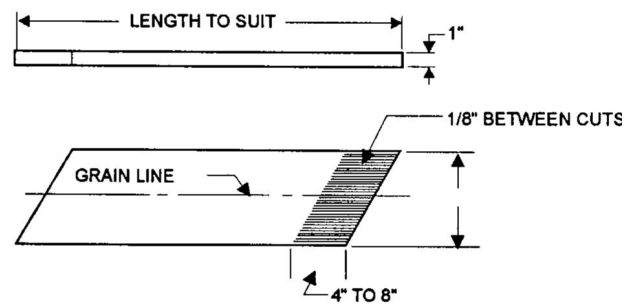


Figure 39

Filler Piece

A filler piece (Figure 40) is necessary for narrow ripping and permits the blade guard to remain on the machine. It also provides space for the safe use of a push stick.

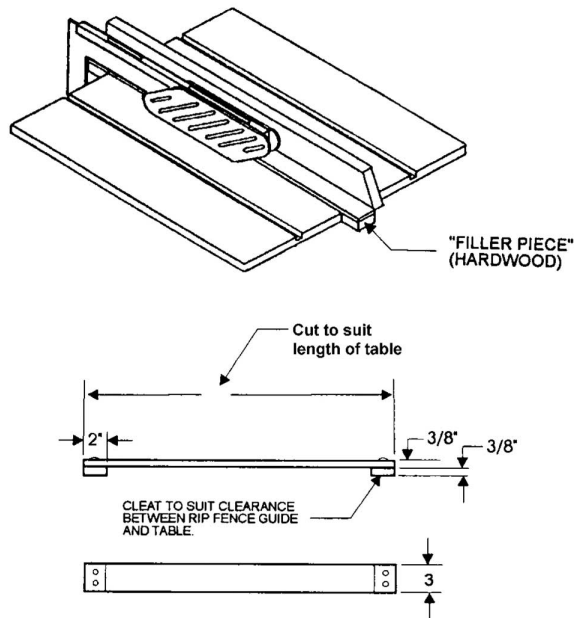


Figure 40 – Filler Piece

Push Stick & Push Block

The use of a push block or push stick provides an added level of safety for the operator.

See the templates in Figures 41 and 42 for construction details, or purchase one from the JET, Performax and Powermatic *Woodworking Machinery and Accessories* catalog.

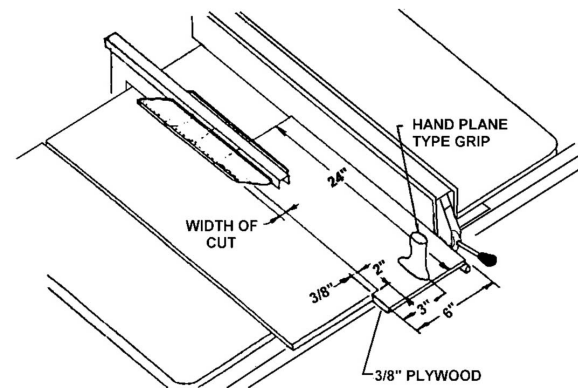
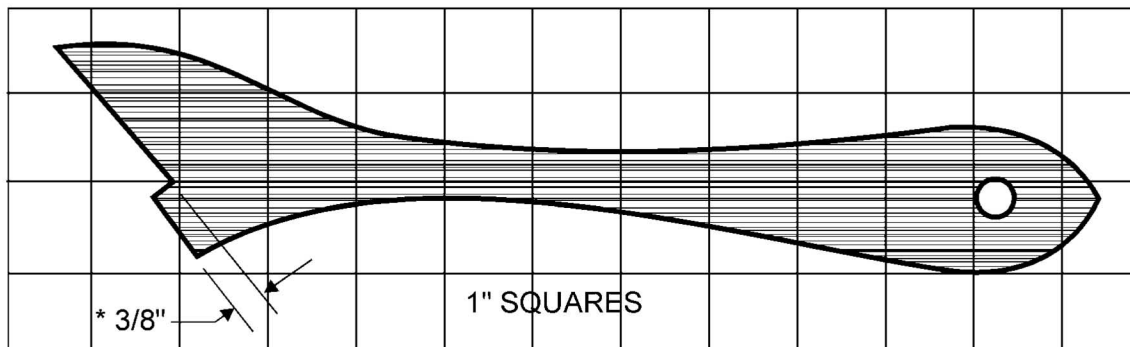


Figure 41 – Push Block Template



* This measurement may vary depending upon thickness of workpiece.

Figure 42 – Push Stick Template

Maintenance

▲WARNING Always disconnect power to the machine before performing maintenance. Failure to do this may result in serious personal injury.

Cleaning

Clean the JWTS-10 according to the schedule below to ensure maximum performance.

Note—*The following maintenance schedule assumes the saw is being used every day.*

Daily:

- Wipe down the table surface and grooves with a rust preventive.
- Clean the pitch and resin from the saw blade.

Weekly:

- Clean the motor housing with compressed air.
- Wipe down the fence rails with a dry silicon lubricant.

Lubrication

Lubricate the areas indicated below every 12 months.

- Lubricate blade angling trunnions with 6 or 7 drops of light machine oil.
- Lubricate the blade height trunnion with 6 or 7 drops of light machine oil.
- Worm gears and threads should be lubricated with an automotive wheel bearing grease.

Check all adjustments after lubricating.

Miscellaneous

Always be aware of the condition of your machine. Routinely check the condition of the following items and repair or replace as necessary:

- Mounting bolts
- Power switch
- Saw blade
- Blade guard

Troubleshooting

Symptom	Possible Cause	Correction
Motor will not start	Low voltage.	Check power line for proper voltage.
	Open circuit in motor or loose connection.	Inspect all lead connections on motor for loose or open connections.
Motor will not start: fuses or circuit breakers blow.	Short circuit in line cord or plug.	Inspect cord or plug for damaged insulation and shorted wires.
	Short circuit in motor or loose connections.	Inspect all connections on motor for loose or shorted terminals or worn insulation.
	Incorrect fuses of circuit breakers in power line.	Install correct fuses or circuit breakers.
Motor overheats.	Motor overloaded.	Reduce load on motor.
	Air circulation through the motor restricted.	Clean out motor to provide normal air circulation.
Motor stalls resulting in blown fuses or tripped circuit.	Short circuit in motor or loose connections.	Inspect connections on motor for loose or shorted terminals or worn insulation.
	Low voltage.	Correct the low voltage conditions.
	Incorrect fuses of circuit breakers in power line.	Install correct fuses or circuit breakers.
	Motor overloaded.	Reduce load on motor.
Machine slows when operating.	Applying too much pressure to workpiece.	Feed workpiece slower.
	Belts loose.	Tighten belts.
Loud, repetitious noise coming from machine.	Pulley setscrews or keys are missing or loose.	Inspect keys and setscrews. Replace or tighten if necessary.
	Motor fan is hitting the cover.	Tighten fan or shim cover.
	V-belt is defective.	Replace V-belt.
Blade is not square with the miter slot or fence is not square to the blade.	Blade is warped.	Replace saw blade.
	Table top is not parallel to the blade.	Adjust table parallel to the blade.
	Fence is not parallel to the blade.	Adjust fence parallel to the blade.
Fence hits the table top when sliding on the table.	Front rail is bolted too low to the table.	Raise the front rail.
	Rear rail is bolted too low on the table.	Raise the rear rail.
Blade does not reach 90 degrees.	90 degree stop bolt is out of adjustment.	Adjust the 90 degree stop bolt.
	Pointer bracket is hitting before the blade reaches 90 degrees.	File down the right side of the pointer bracket until the blade can reach 90 degrees.

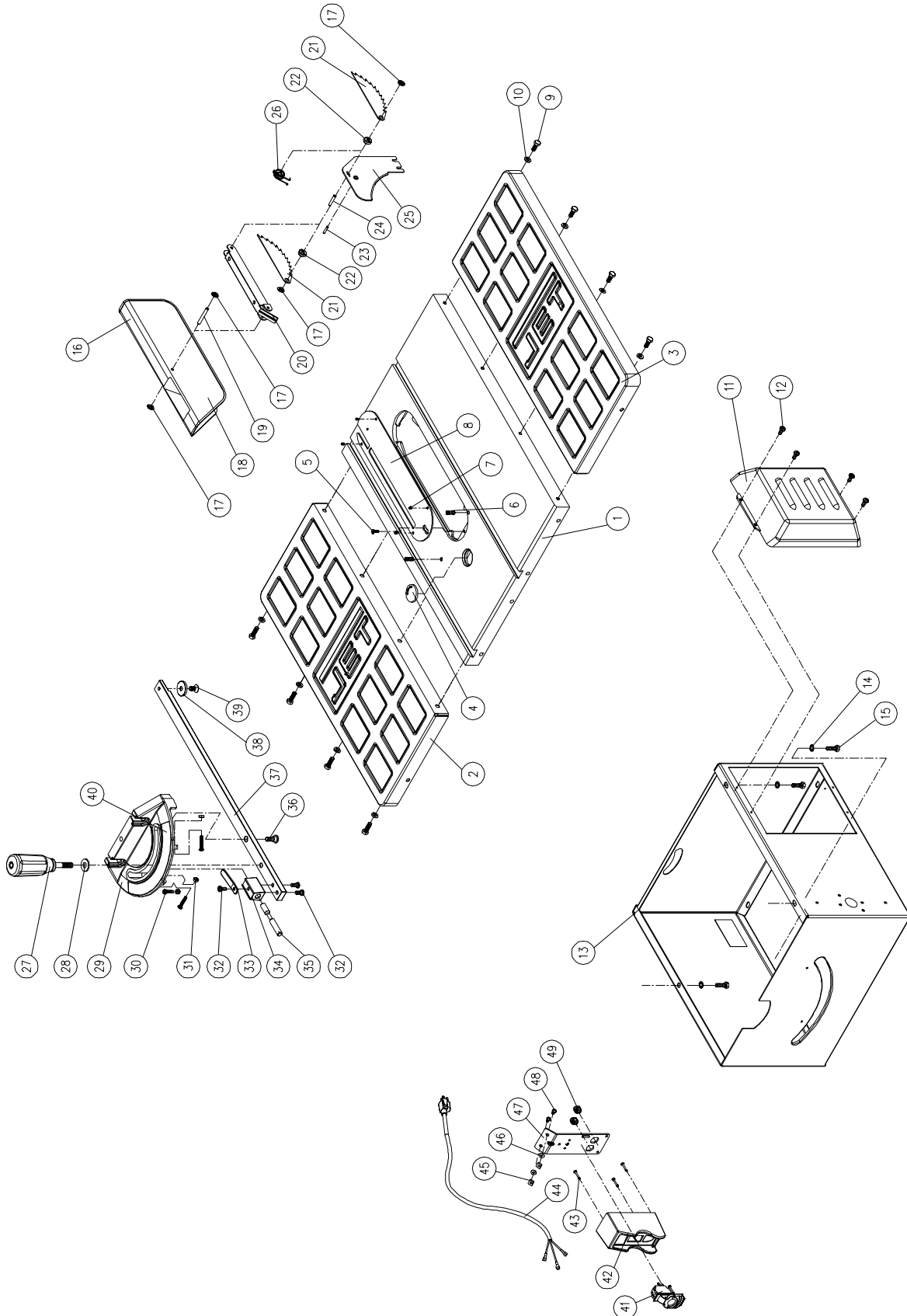
Parts

JWTS-10 Table and Cabinet Parts List

Index No.	Part No.	Description	Size	Qty
1	JWTS10-301	Table		1
2	JWTS10-302	Extension Wing, Left		1
3	JWTS10-303	Extension Wing, Right		1
4	JWTS10-304	Guide Line Plate		1
5	TS-2285121	Flat Head Screw	M5x12	1
6	TS-1524051	Set Screw	M8x20	2
7	TS-1522011	Set Screw	M5x5	4
8	JWTS10-308	Table Insert		1
9	TS-1490031	Hex Cap Screw *	M8x20	8
10	TS-2361081	Lock Washer *	M8	8
11	JWTS10-311	Cover		1
12	TS-1532032	Pan Head Screw	M4x10	4
13	JWTS10-313	Cabinet		1
14	JWTS10-172	External Tooth Lock Washer	M8	3
15	TS-1490021	Hex Cap Screw	M8x16	3
	JWTS10-BG	Blade Guard Assembly (#16 thru #26)		1
16	JWTS10-316	Warning Label		1
17	JWTS10-317	Push Nut		4
18	JWTS10-318	Blade Guard		1
19	JWTS10-319	Pin		1
20	JWTS10-320	Support Arm		1
21	JWTS10-321	Anti-Kickback Pawl		2
22	JWTS10-322	Bushing		2
23	JWTS10-323	Spring Pin	Ø4x20	1
24	JWTS10-324	Pin		1
25	JWTS10-325	Splitter		1
26	JWTS10-326	Spring		1
	JWTS10-MG	Miter Gauge Assembly (#27 thru #40)		1
27	JWTS10-327	Handle		1
28	TS-0680041	Flat Washer	3/8"	1
29	JWTS10-329	Miter Gauge Body		1
30	TS-2284202	Pan Head Screw	M4x20	3
31	TS-1540021	Hex Nut	M4	3
32	TS-1533032	Pan Head Screw	M5x10	1
33	JWTS10-333	Pointer		1
34	JWTS10-334	Bracket		1
35	JWTS10-335	Stop Pin		1
36	JWTS10-336	Screw		1
37	JWTS10-337	Miter Bar		1
38	JWTS10-338	Guide Washer		1
39	JWTS10-339	Flat Head Screw	M6x8	1
40	JWTS10-340	Scale		1
41	JWL1442-118	Switch		1
42	JWTS10-342	Switch Box		1
43	JWTS10-217	Self Tapping Screw	M4x8	3
44	JWTS10-344	Power Cord		1
45	JWTS10-242	Square Nut *		2
46	TS-1550041	Flat Washer *	M6	2
47	JWTS10-347	Switch Box Plate		1
48	TS-1534032	Pan Head Screw *	M6x10	2
49	JWTS10-349	Cord Strain Relief	SB8R-3	2

* Refer to **Note** on page 32

JWTS-10 Table and Cabinet Exploded View



Motor and Trunnion Assembly Parts List

Index No.	Part No.	Description	Size	Qty
1	VB-A31	Belt	A-31	1
2	JWTS10-102	Belt	125J	1
3	TS-2342102	Nylon Insert Lock Nut	M10-1.25P	1
4	TS-1550071	Flat Washer	M10	1
5	JWTS10-105	Pulley		1
6	JWTS10-106	Washer		1
7	BB-6202VV	Ball Bearing	6202-2NSE	2
8	JWTS10-108	Wave Washer	BWW-6202	1
9	JWTS10-109	Retaining Ring, External	STW-15	2
10	JWTS10-110	Pulley		1
11	BB-6002VV	Ball Bearing	6002-2NSE	2
12	JWTS10-112	Retaining Ring, External	STW-17	1
13	JWTS10-113	Shaft		1
14	JWTS10-114	Bearing Arm		1
15	JWTS10-115	Arbor		1
16	JWTS10-116	Key	5x5x8	1
17	TS-1541041	Nylon Insert Lock Nut	M10	1
18	TS-1550071	Flat Washer	M10	2
19	TS-1503091	Socket Head Cap Screw	M6x40	2
20	TS-1491031	Hex Cap Screw	M10x25	1
21	TS-2361101	Lock Washer	M10	1
22	JWTS10-122	Pin		1
23	JWTS10-123	Center Trunnion		1
24	JWTS10-124	Hex Flange Bolt	M6x40	1
25	JWTS10-125	Spring		1
26	TS-1550041	Flat Washer	M6	2
27	TS-1540041	Hex Nut	M6	2
28	TS-1541021	Nylon Insert Lock Nut	M6	4
29	JWTS10-129	Plate		2
30	TS-2210801	Hex Cap Screw	M10x80	1
31	JWTS10-131	Blade	10"x5/8"x28T	1
32	JWTS10-132	Flange		1
33	JWTS10-133	Arbor Nut	5/8"-12	1
34	JWTS10-134	Blade Dust Cover		1
35	JWTS10-135	Wing Screw	M5x30	4
36	990805	Self Tapping Screw	M4x10	2
37	JWTS10-137	Dust Chute		1
38	JWTS10-138	E-Clip	ETW-8	1
39	JWTS10-139	Bolt		1
40	JWTS10-140	Handle		1
41	JWTS10-141	Spring		1
42	JWTS10-142	Lock Washer		1
43	JWTS10-143	Guide Shaft		1
44	JWTS10-144	Knob *		1
45	JWTS10-145	Handle Cap		2
46	JWTS10-146	Handle		2
47	JWTS10-147	Shaft		2
48	JWTS10-148	Hand Wheel		1
49	JWTS10-149	Bushing *		1
50	TS-1502021	Socket Head Cap Screw	M5x10	2
51	JWTS10-151	Plate		1
52	JWTS10-152	E-Clip	ETW-12	2
53	JWTS10-153	Shaft		1
54	JWTS10-154	O-Ring	P12	2

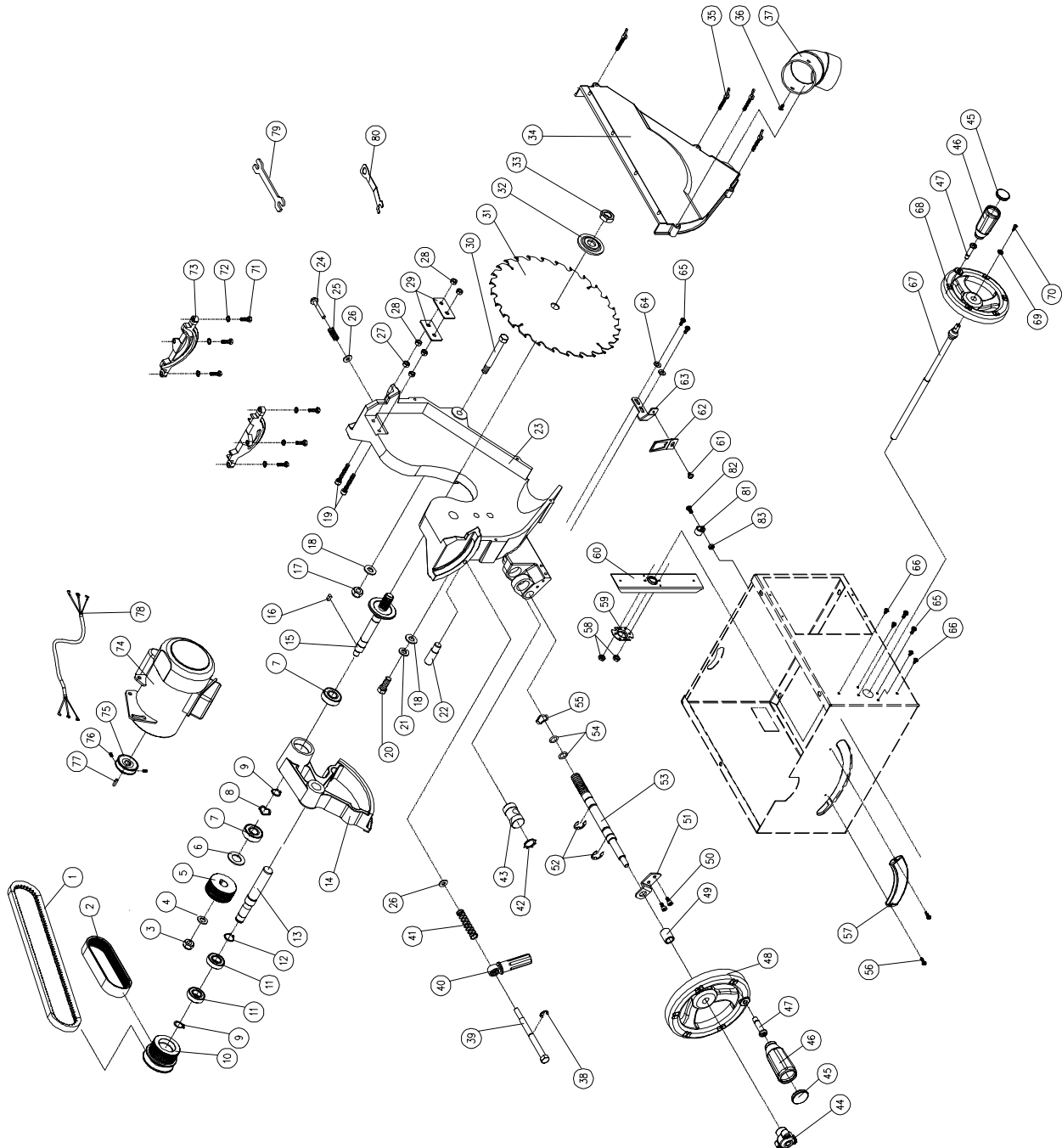
* Refer to **Note** on page 32

Motor and Trunnion Assembly Parts List

Index No.	Part No.	Description	Size	Qty
55	JWTS10-155	Wave Washer	WW-16	1
56	TS-1532042	Pan Head Screw	M4x12	2
57	JWTS10-157	Scale		1
58	TS-1540031	Hex Nut	M5	2
59	JWTS10-159	Collar		1
60	JWTS10-160	Support Bracket		1
61	TS-2284082	Pan Head Screw	M4x8	1
62	JWTS10-162	Pointer		1
63	JWTS10-163	Bracket		1
64	TS-1550031	Flat Washer	M5	2
65	TS-1533032	Pan Head Screw	M5x10	4
66	990805	Self Tapping Screw	M4x10	4
67	JWTS10-167	Shaft		1
68	JWTS10-168	Hand Wheel		1
69	TS-1551031	Lock Washer *	M5	1
70	TS-1502031	Socket Head Cap Screw *	M5x12	2
71	TS-1490041	Hex Cap Screw	M8x25	6
72	JWTS10-172	External Tooth Lock Washer	M8	6
73	JWTS10-173	Front & Rear Trunnion		2
74	JWTS10-174	Motor	1-1/2HP, 1Ph, 115/230V	1
	JWTS10-174MF	Motor Fan (not shown)		1
	JWTS10-174MFC	Motor Fan Cover (not shown)		1
	JWTS10-174CS	Centrifugal Switch (not shown)		1
	JWTS10-174SCC	Starting Capacitor Cover (not shown)		1
	JWTS10-174RCC	Running Capacitor Cover (not shown)		1
	JWTS10-174SC	Starting Capacitor (not shown)	200MFD, 250VAC	1
	JWTS10-174RC	Running Capacitor (not shown)	30uF, 350VAC	1
	JWTS10-174JB	Junction Box (not shown)		1
	JWTS10-174JBC	Junction Box Cover (not shown)		1
75	JWTS10-175	Pulley		1
76	TS-1523041	Set Screw	M6x12	2
77	JWTS10-177	Key	5x5x22	1
78	JWTS10-178	Motor Wire		1
79	JWTS10-179	Box Wrench *		1
80	JWTS10-180	Blade Locking Wrench *		1
81	JWTS10-181	Motor Cord Clamp		1
82	JWTS10-182	Pan Head Screw	M4x15	1
83	TS-1540021	Hex Nut	M4	1
	JWTS10-HP	Hardware Package (not shown)		

* **Note:** Items indicated by an asterisk (*) are included in Hardware Package JWTS10-HP

Motor and Trunnion Assembly Exploded View



Fence and Rail Parts List

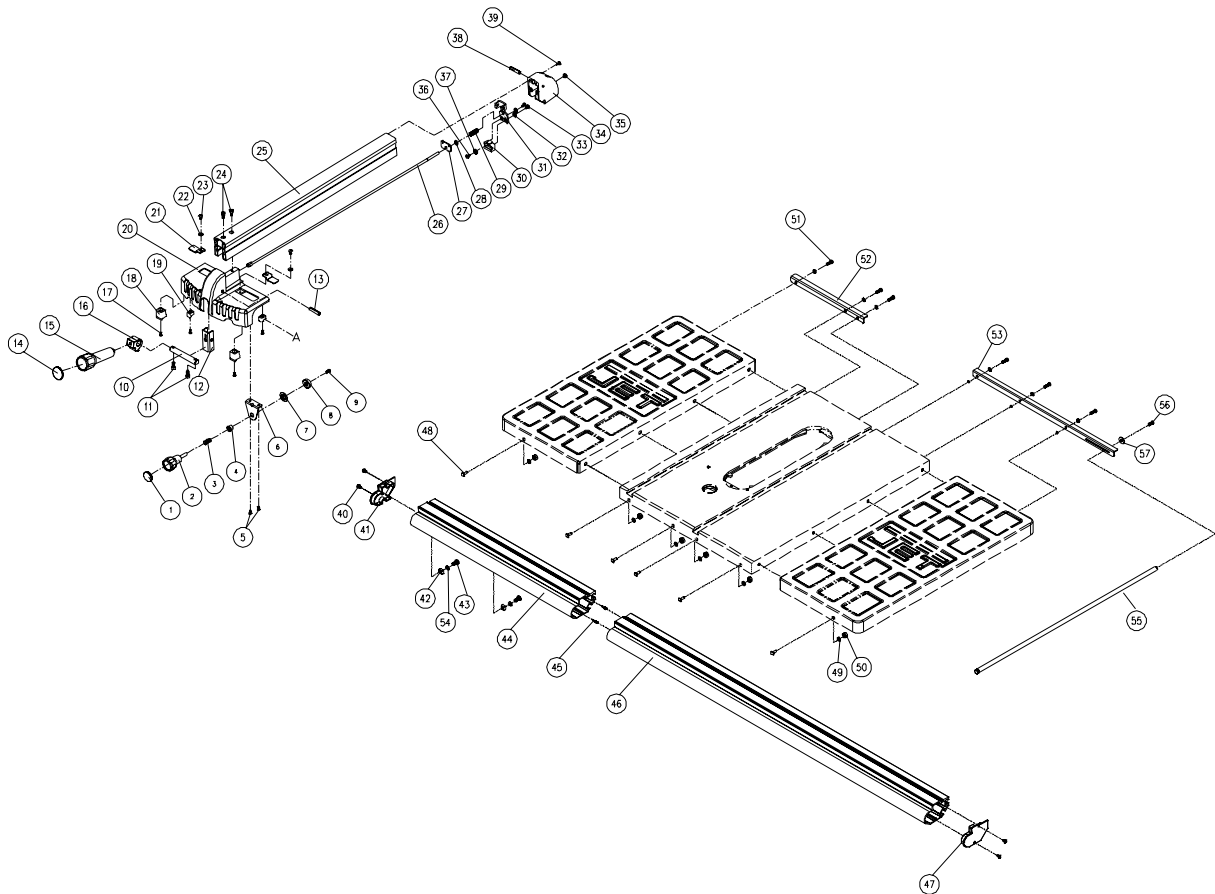
Index No.	Part No.	Description	Size	Qty
.....	JWTS10-FA	Fence Assembly (#1 thru #39)		1
1	JWTS10-201	Handle Cap		1
2	JWTS10-202	Micro Adjustment Handle		1
3	JWTS10-203	Spring		1
4	JWTS10-204	Bushing		1
5	JWTS10-205	Pan Head Screw	M5x8	2
6	JWTS10-206	Bracket		1
7	JWTS10-207	Push Nut		1
8	JWTS10-208	Rubber Wheel		1
9	TS-1533062	Pan Head Screw	M5x20	1
10	JWTS10-210	Shaft		1
11	TS-1503051	Socket Head Cap Screw	M6x20	2
12	JWTS10-212	Bracket		1
13	JWTS10-213	Spring Pin	Ø8x40	1
14	JWTS10-214	Handle Cap		1
15	JWTS10-215	Handle		1
16	JWTS10-216	Cam Block		1
17	JWTS10-217	Self Tapping Screw	M4x8	4
18	JWTS10-218	Slide Block		2
19	JWTS10-219	Block		2
20	JWTS10-220	Fence Body		1
21	JWTS10-221	Cursor		2
22	TS-1550031	Flat Washer	M5	2
23	JWTS10-205	Pan Head Screw	M5x8	2
24	TS-1503021	Socket Head Cap Screw	M6x10	2
25	JWTS10-225	Fence		1
26	JWTS10-226	Rod		1
27	JWTS10-227	Plate		1
28	TS-0680031	Flat Washer	5/16"	1
29	JWTS10-229	Spring		1
30	JWTS10-230	Rear Lock Block		1
31	JWTS10-231	Tightening Plate		1
32	TS-1550021	Flat Washer	M4	2
33	TS-1532032	Pan Head Screw	M4x10	2
34	JWTS10-234	Fence Rear Cover		1
35	TS-1540041	Hex Nut	M6	1
36	JWTS10-236	Mod. Screw		1
37	JWTS10-237	Washer		1
38	JWTS10-238	Spring Pin	Ø6x40	1
39	JWTS10-239	Self Tapping Screw	M4x16	4
40	990805	Self Tapping Screw	M4x10	4
41	JWTS10-241	Rail End Cover, Left		1
42	JWTS10-242	Square Nut	M6	2
43	TS-1534032	Screw	M6x10	2
44	JWTS10-244	Front Rail, Short		1
45	JWTS10-245	Adaptor Pin		2
46	JWTS10-246	Front Rail, Long		1
47	JWTS10-247	Rail End Cover, Right		1
48	JWTS10-248	Square Head Bolt *	M8x20	6
49	TS-2361081	Lock Washer *	M8	12
50	TS-1540061	Hex Nut *	M8	12
51	TS-1490031	Hex Cap Screw *	M8x20	6
52	JWTS10-252	Rear Rail, Short		1

* Refer to **Note** on page 32

Fence and Rail Parts List

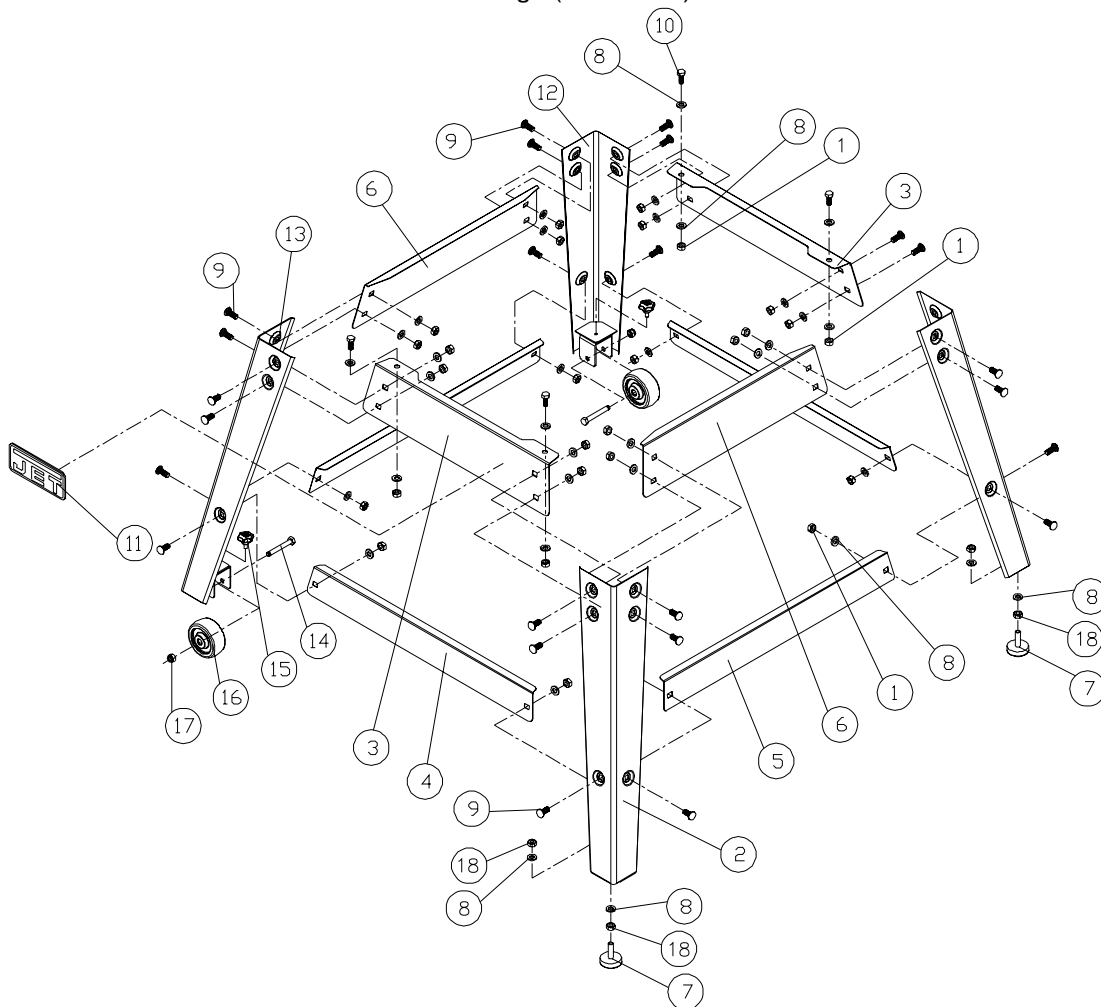
Index No.	Part No.	Description	Size	Qty
53	JWTS10-253	Rear Rail, Long		1
54	TS-1550041	Flat Washer	M6	2
55	JWTS10-255	Support Rod		1
56	TS-1482021	Hex Cap Screw	M6x12	1
57	TS-1550041	Flat Washer	M6	1

Fence and Rail Exploded View



Stand Assembly Parts List and Exploded View

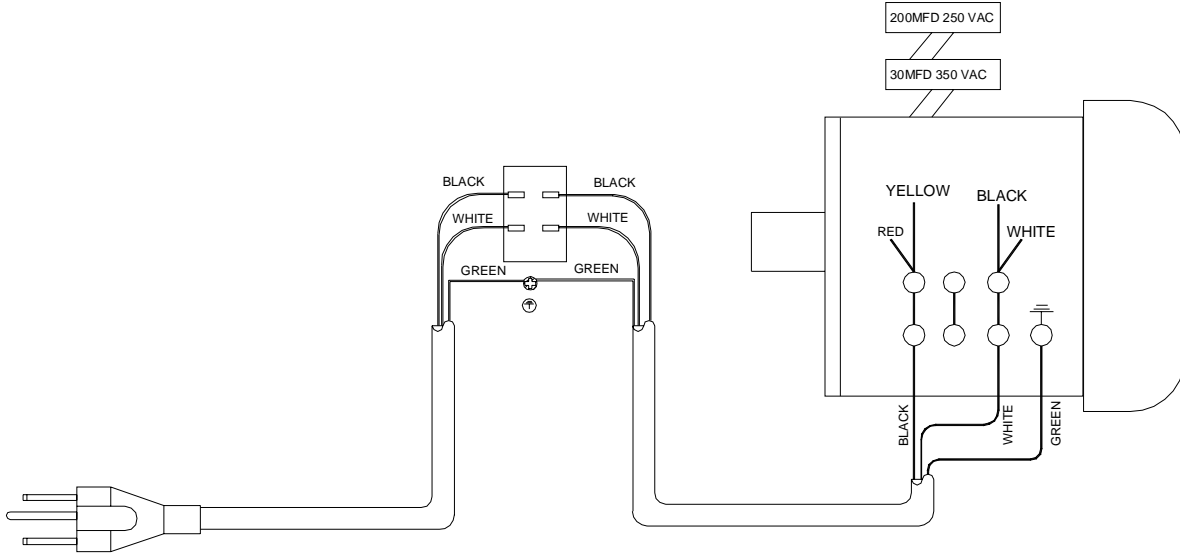
Index No.	Part No.	Description	Size	Qty
1	TS-1540061	Hex Nut **	M8	28
2	JWTS10-402	Leg		2
3	JWTS10-403	Top Plate, Short		2
4	JWTS10-404	Support Plate, Short		2
5	JWTS10-405	Support Plate, Long		2
6	JWTS10-406	Top Plate, Long		2
7	JWTS10-407	Pad **		2
8	TS-1550061	Flat Washer **	M8	36
9	JWTS10-409	Carriage Bolt **	M8x12	24
10	TS-1490031	Hex Cap Screw **	M8x20	4
11	JWBS18-140	JET Nameplate		1
12	JWTS10-412	Caster Mount Leg, Rear		1
13	JWTS10-413	Caster Mount Leg, Front		1
14	TS-0060111	Hex Cap Screw **	3/8"-16x2.5"	2
15	JWTS10-415	Lock Knob **		2
16	JWTS10-416	Wheel **		2
17	TS-0640091	Nylon Insert Lock Nut **	3/8"-16	2
18	TS-0561021	Hex Nut **	5/16"-18	4
	JWTS10-SHP	Hardware Package (not shown)		



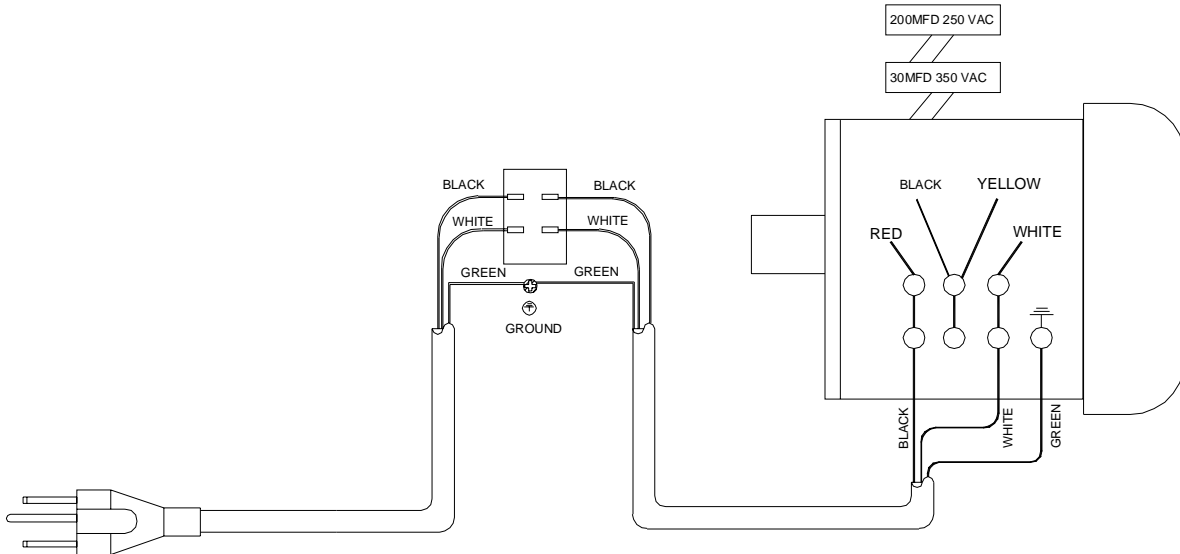
** Included in JWTS10-SHP Stand Hardware Package

Wiring Diagram

ELECTRICAL SCHEMATIC - 115V



ELECTRICAL SCHEMATIC - 230V



Ordering Replacement Parts

To order parts or reach our service department, call 1-800-274-6848 between 7:30am and 5:30pm (CST), Monday through Friday. Having the Model Number and Serial Number of your machine available when you call will allow us to serve you quickly and accurately.

Notes



WMH Tool Group
2420 Vantage Drive
Elgin, Illinois 60124
Phone: 800-274-6848
www.wmhtoolgroup.com

Free Manuals Download Website

<http://myh66.com>

<http://usermanuals.us>

<http://www.somanuals.com>

<http://www.4manuals.cc>

<http://www.manual-lib.com>

<http://www.404manual.com>

<http://www.luxmanual.com>

<http://aubethermostatmanual.com>

Golf course search by state

<http://golfingnear.com>

Email search by domain

<http://emailbydomain.com>

Auto manuals search

<http://auto.somanuals.com>

TV manuals search

<http://tv.somanuals.com>