

**Model AC1-8GH, AC1-8GS
AC1-20GH, AC1-20GS,
AC2-8GH, AC2-8GS,
AC2-20GH, AC2-20GS,
AC2-20GHS and AC2-20GSS
AIR COMPRESSORS**



JOHN DEERE

**OPERATOR'S
MANUAL**



CAUTION

**RISK OF INJURY! READ ENTIRE MANUAL
BEFORE OPERATING! THIS MANUAL IS AN IMPORTANT
PART OF THE AIR COMPRESSOR AND MUST REMAIN
WITH THIS UNIT WHEN YOU SELL OR RENT IT!**

TABLE OF CONTENTS

INTRODUCTION	3
IMPORTANT	3
INSPECTION.....	3
SAFETY WARNINGS.....	4-7
RISK OF EXPLOSION OR FIRE.....	4
RISK OF BURSTING.....	5
RISK TO BREATHING.....	5
RISK OF BURNS.....	6
RISK OF FLYING OBJECTS.....	6
RISK FROM MOVING PARTS	6
RISK FROM NEGLIGENCE	7
RISK OF AIR COMPRESSOR DAMAGE.....	7
FEATURES DRAWINGS	8 & 10
FEATURES REVIEW	9 & 11
PREPARATION.....	14
INITIAL SET-UP.....	14
LOCATION	14
GASOLINE ENGINE	14
PRE-START CHECKLIST	14
OPERATION	15
START-UP	15
SHUTDOWN	15
MAINTENANCE	15
TROUBLESHOOTING.....	16-17
NOTES	18
WARRANTY.....	19



WARNING

The engine exhaust from this product contains chemicals known to the State of California to cause cancer, birth defects or other reproductive harm.



WARNING

This product contains one or more chemicals known to the State of California to cause cancer and birth defects or other reproductive harm.

INTRODUCTION

Congratulations on the purchase of your new John Deere Air Compressor! You can be assured your John Deere Air Compressor was constructed with the highest level of precision and accuracy. Each component has been rigorously tested by technicians to ensure the quality, endurance and performance of this air compressor.

This operator's manual was compiled for your benefit. By reading and following the simple safety, installation and operation, maintenance and troubleshooting steps described in this manual, you will receive years of troublefree operation from your new John Deere Air Compressor. The contents of this manual are based on the latest product information available at the time of publication. John Deere reserves the right to make changes in price, color, materials equipment, specifications or models at any time without notice.



IMPORTANT!

A "**DANGER, WARNING or CAUTION**" safety warning will be surrounded by a "**SAFETY ALERT BOX**". This box is used to designate and emphasize Safety Warnings that must be followed when operating this air compressor. Accompanying the safety warnings are "Signal Words" which designate the degree or level of hazard seriousness. The "Signal Words" used in this manual are as follows:

DANGER: Indicates an imminently hazardous situation which, if not avoided, WILL result in death or serious injury.

WARNING: Indicates a potentially hazardous situation which, if not avoided, COULD result in death or serious injury.

CAUTION: Indicates a potentially hazardous situation which, if not avoided MAY result in minor or moderate injury or damage to the air compressor.



The symbols set to the left of this paragraph are "Safety Alert Symbols". These symbols are used to call attention to items or procedures that could be dangerous to you or other persons using this equipment.

ALWAYS PROVIDE A COPY OF THIS MANUAL TO ANYONE USING THIS EQUIPMENT. READ ALL INSTRUCTIONS IN THIS MANUAL AND ANY INSTRUCTIONS SUPPLIED BY MANUFACTURERS OF SUPPORTING EQUIPMENT BEFORE OPERATING THIS AIR COMPRESSOR AND ESPECIALLY POINT OUT THE "SAFETY WARNINGS" TO PREVENT THE POSSIBILITY OF PERSONAL INJURY TO THE OPERATOR.

Once the unit has been removed from the box, immediately write in the serial number of your unit in the space provided below:

SERIAL NUMBER _____

Inspect for signs of obvious or concealed freight damage. If damage does exist, file a claim with the transportation company immediately. Be sure that all damaged parts are replaced and that the mechanical and electrical problems are corrected prior to operation of the unit. If you require service, contact your customer service.

Mi-T-M Corporation, 8650 Enterprise Drive, Peosta, IA 52068
1-877-JD-KLEEN / (1-877-535-5336) Fax 563-556-1235
Monday - Friday 8:00 a.m. - 5:00 p.m. CST

Please have the following information available for all service calls:

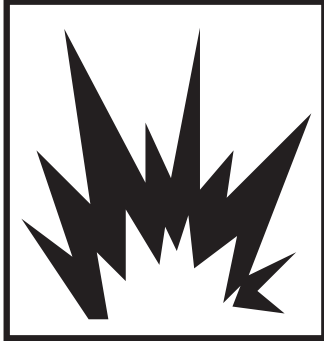

1. Model Number
2. Serial Number
3. Date and Place of Purchase



SAFETY WARNINGS



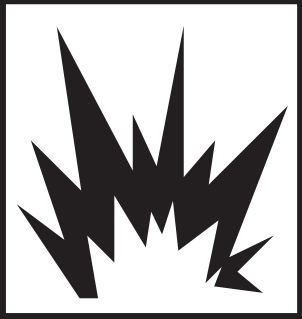

WARNING: WHEN USING THIS PRODUCT, BASIC PRECAUTIONS SHOULD ALWAYS BE OBSERVED, INCLUDING THE FOLLOWING. READ ALL SAFETY WARNINGS BEFORE USING AIR COMPRESSOR

HAZARD	POTENTIAL CONSEQUENCE	PREVENTION
<p data-bbox="217 281 492 342">RISK OF EXPLOSION OR FIRE</p>  	<p data-bbox="574 281 980 401">Serious injury or death may occur from normal sparks in the engine ignition system or engine exhaust/muffler.</p> <p data-bbox="574 653 935 709">Injury or death may occur as a result of improper fueling.</p> <p data-bbox="574 1776 976 1927">Serious injury may occur if any air compressor ventilation openings are restricted, causing the air compressor to overheat and start a fire.</p>	<p data-bbox="1019 281 1409 436">Always operate air compressor in a well ventilated area free of flammable vapors, combustible dust, gases or other combustible materials.</p> <p data-bbox="1019 468 1419 623">DO NOT SMOKE if spraying flammable material. Locate the air compressor at least 20 feet away from the spray area. (An additional hose may be required.)</p> <p data-bbox="1019 653 1409 709">Do not smoke while filling engine fuel tank.</p> <p data-bbox="1019 741 1409 863">Never fill the engine fuel tank while the engine is running or hot. Allow the engine to cool two minutes before refueling.</p> <p data-bbox="1019 894 1430 951">Do not refuel indoors or in a poorly ventilated area.</p> <p data-bbox="1019 982 1409 1077">Always refuel slowly to avoid the possibility of spilled fuel which may cause a risk of fire.</p> <p data-bbox="1019 1108 1430 1287">Do not operate the unit if gasoline is spilled. Wipe the air compressor clean and move it away from the spill. Avoid creating any ignition until the gasoline has evaporated.</p> <p data-bbox="1019 1318 1409 1497">Do not store the air compressor near an open flame or any equipment such as a stove, furnace, water heater, etc. which utilizes a pilot light or sparking device.</p> <p data-bbox="1019 1528 1419 1749">A spark arrester must be added to the muffler of this engine if it is to be used on any forest covered, brush covered or grass covered unimproved land. The arrester must be maintained in effective working order by the operator.</p> <p data-bbox="1019 1780 1419 1959">Never place objects against or on top of air compressor. Operate air compressor at least 12 inches away from any wall or obstruction that would restrict proper ventilation.</p>



SAFETY WARNINGS
 READ ALL SAFETY WARNINGS BEFORE USING AIR COMPRESSOR



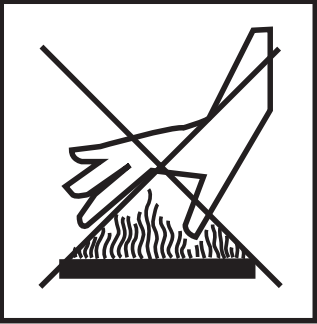


HAZARD	POTENTIAL CONSEQUENCE	PREVENTION
<p align="center">RISK OF BURSTING</p> 	<p>Serious injury or death may occur from an air tank explosion if air tanks are not properly maintained.</p> <p>Serious injury may occur from an air compressor malfunction or exploding accessories if incorrect system components, attachments or accessories are used.</p>	<p>Drain air tank daily or after each use to prevent moisture buildup in the air tank.</p> <p>If air tank develops a leak, replace the air tank immediately. Never repair, weld or make modifications to the air tank or its attachments. Use only genuine John Deere repair parts for your air compressor.</p> <p>Never make adjustments to the factory set pressures.</p> <p>Never exceed manufacturers maximum allowable pressure rating of attachments.</p> <p>Because of extreme heat, do not use plastic pipe or lead tin soldered joints for a discharge line.</p> <p>Never use air compressor to inflate small, low pressure objects such as toys.</p>
<p align="center">RISK TO BREATHING</p> 	<p>Serious injury or death could occur from inhaling compressed air. The air stream may contain carbon monoxide, toxic vapors or solid particles.</p> <p>Serious injury or death may occur from inhaling engine exhaust.</p> <p>Sprayed materials such as paint, paint solvents, paint remover, insecticides, weed killers, etc. contain harmful vapors and poisons.</p>	<p>Never inhale air from the air compressor either directly or from a breathing device connected to the air compressor.</p> <p>This air compressor was designed for outdoor use. Never operate this air compressor in an enclosed area. Always make certain there is adequate ventilation (fresh outside air) for breathing and combustion. This will prevent the buildup of dangerous carbon monoxide gases. Beware of poorly ventilated areas, or areas with inadequate exhaust fans.</p> <p>Operate air compressor only in a well ventilated area. Follow all safety instructions provided with the materials you are spraying. Use of a respirator may be required when working with some materials.</p>



SAFETY WARNINGS

READ ALL SAFETY WARNINGS BEFORE USING AIR COMPRESSOR



HAZARD	POTENTIAL CONSEQUENCE	PREVENTION
<p>RISK OF BURNS</p> 	<p>Serious injury could occur from touching exposed metal parts. These areas can remain hot for some time after the air compressor is shutdown.</p>	<p>Never allow any part of your body or other materials to make contact with any exposed metal parts on the air compressor.</p> <p>Never allow any part of your body to contact the engine muffler or adjacent areas.</p>
<p>RISK OF FLYING OBJECTS</p> 	<p>Soft tissue damage can occur from the compressed air stream.</p> <p>Serious injury can occur from loose debris being propelled at a high speed from the compressed air stream.</p>	<p>Always wear safety glasses to shield the eyes from flying debris.</p> <p>Never point the air stream at any part of your body, anyone else or animals.</p> <p>Never leave pressurized air in the air compressor. Shut off air compressor and relieve pressure when storing or attempting maintenance.</p> <p>Always maintain a safe distance from people and animals while operating the air compressor.</p> <p>Do not move the air compressor while air tank is under pressure. Do not attempt to move the air compressor by pulling on the hose.</p>
<p>RISK FROM MOVING PARTS</p> 	<p>Risk of bodily injury from moving parts.</p>	<p>Before performing <u>maintenance</u>, always turn off air compressor. Bleed pressure from the air hose and disconnect spark plug wire to prevent engine from starting unexpectedly. All <u>repairs</u> to the air compressor should be made by an Authorized Service person.</p> <p>Do not operate without protective covers/guards. Always turn off air compressor before removing any guard. Replace damaged covers/guards before using the air compressor.</p>



SAFETY WARNINGS

READ ALL SAFETY WARNINGS BEFORE USING AIR COMPRESSOR

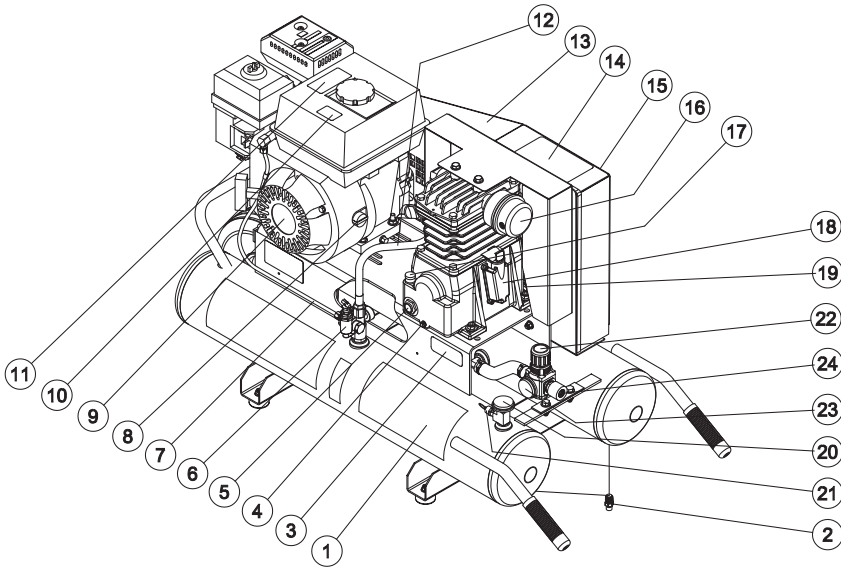


HAZARD	POTENTIAL CONSEQUENCE	PREVENTION
RISK FROM NEGLIGENCE	Risk of injury from negligent use.	<p>Never allow children or adolescents to operate this air compressor!</p> <p>Stay alert-watch what you are doing. Do not operate the air compressor when fatigued or under the influence of alcohol or drugs.</p> <p>Know how to stop the air compressor. Be thoroughly familiar with controls.</p>
RISK OF AIR COMPRESSOR DAMAGE	Risk of major repair.	<p>Do not operate air compressor without an air filter.</p> <p>Do not operate air compressor in a corrosive environment.</p> <p>Always operate the air compressor in a stable, secure position to prevent air compressor from falling.</p> <p>Follow all maintenance instructions listed in this manual.</p>

! SAVE THESE INSTRUCTIONS !

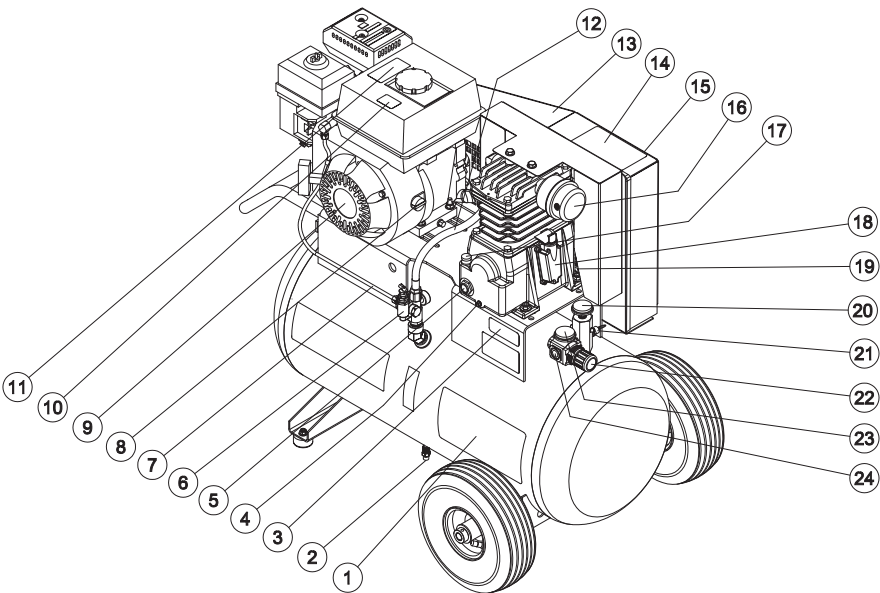
GASOLINE AIR COMPRESSOR FEATURES (SINGLE STAGE)

AC1-PH55-08 FEATURE-041205-DLG

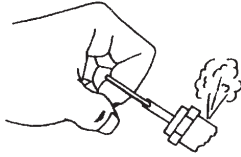


1. Decal: Danger/Warning/Caution
2. Tank Drain Valves
3. Decal- Warning: Hot
4. Pump Oil Drain
5. Oil Sight Glass
6. Pilot Valve
7. Engine Air Throttle Control
8. Engine Switch
9. Engine
10. Decal- Caution: Risk of Fire
11. Decal- Warning: Hot Surface
12. Pump Discharge Line
13. Beltguard
14. Decal- Warning: Risk of Injury
15. Decal- Warning: Beltguard
16. Air Filter
17. Oil Fill Port
18. Pump
19. Ventilation Openings
20. Pressure Gauge - Tank PSI
21. Pressure Relief Valve
22. Pressure Regulator
23. Pressure Gauge - Outlet PSI
24. Outlet Fitting

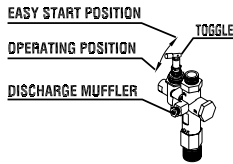
AC1-PH55-20M W/THROTTLE CONTROL-041205-DLG



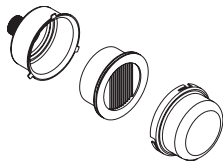
EXPLODED VIEW & EXPLANATION OF AIR COMPRESSOR FEATURES



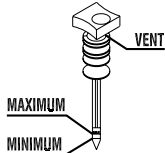
SAFETY RELIEF VALVE: This valve is designed to prevent system failures by relieving pressure from the system when the compressed air reaches a predetermined level. The valve is preset by the manufacturer and must not be modified in any way. To verify the valve is working properly, pull on the ring. Air pressure should escape. When the ring is released, it will reset.



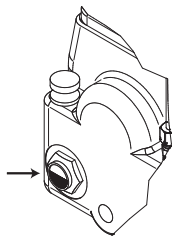
PILOT VALVE: When the toggle is in the horizontal position, all air from the air compressor is vented through the discharge muffler. This gives an easy start feature. For normal operation, the toggle is in the vertical position.



AIR INTAKE FILTER: This filter is designed to clean air coming into the pump. To ensure the pump continually receives a clean, cool, dry air supply this filter must always be clean and ventilation opening free from obstructions. Replace filter element when necessary.



OIL DIPSTICK: The dipstick will register the amount of oil in the pump. Oil level should be checked on a daily basis to ensure it does not exceed the maximum notch or fall below the minimum notch on the dipstick. If low, add SAE 30W non-detergent oil.

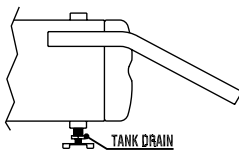


OIL FILL PORT/VENT: Pour oil into the Oil Fill Port/Vent when required.

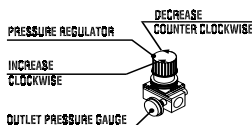
OIL SIGHT GLASS: The Oil Sight Glass displays the oil level in the pump. The oil level should be at the center of the Oil Sight Glass. If low, add SAE 30W non-detergent oil.

AIR COMPRESSOR PUMP: To compress air, the pistons move up and down in the cylinders. On the downstroke, air is drawn in through the air intake valves while the exhaust valves remain closed. On the upstroke, air is compressed, the intake valves close and compressed air is forced out through the exhaust valves, into the discharge line, through the pilot valve and into the air tank.

AIR TANK PRESSURE GAUGE: The air tank pressure gauge indicates the reserve air pressure in the air tank (s).



AIR TANK DRAIN VALVE: The drain valve is used to remove moisture from the air tank(s) after the air compressor is shut off. **NEVER attempt to open the drain valve when more than 10 PSI of air pressure is in the air tank!** To open the drain valve, turn the knob counterclockwise.

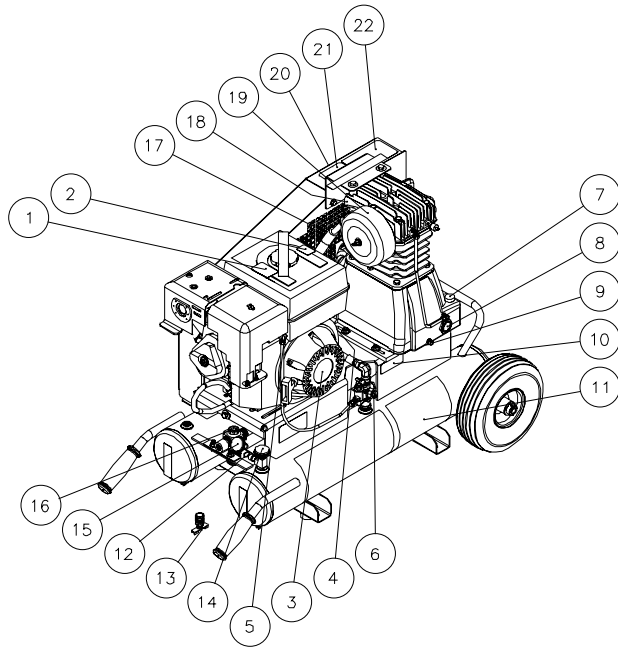
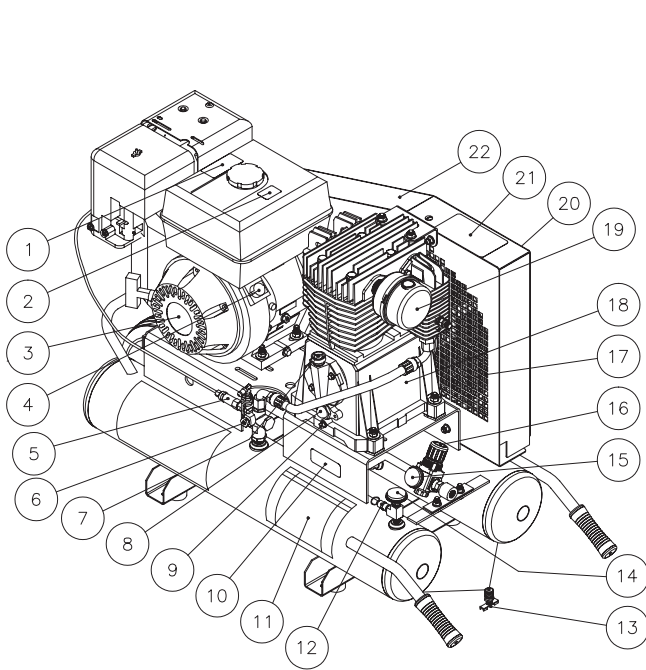


OPTIONAL PRESSURE REGULATOR: The air pressure coming from the air tank is controlled by the regulator knob. Turn the pressure regulation knob clockwise to increase discharge pressure, and counterclockwise to decrease discharge pressure.

OPTIONAL OUTLET PRESSURE GAUGE: The outlet pressure gauge indicates the air pressure available at the outlet side of the regulator. This pressure is controlled by the regulator and is always less or equal to the air tank pressure.

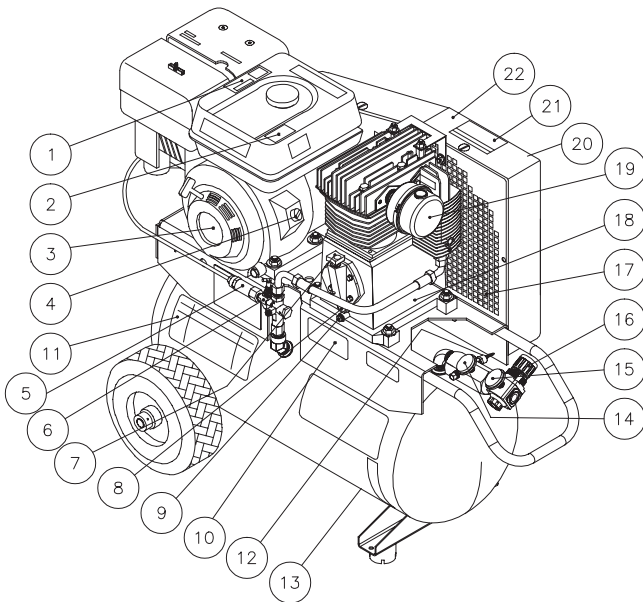
GASOLINE AIR COMPRESSOR FEATURES (TWO STAGE)

AC2-PH08-PV09-FEATURES-012704-DLG



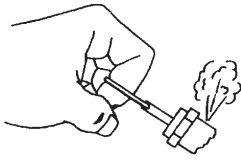
AS2-PH08-PR09-PV09-08 FEATURES-012704-DLG

AC2-PH08-PV09-20-FEATURE-012704-DLG

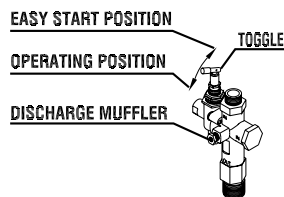


1. Decal- Warning: Hot Surfaces
2. Decal- Warning: Risk of Fire
3. Engine
4. Engine Switch
5. Engine Throttle Control
6. Pilot Valve
7. Oil Fill Port
8. Pump Oil Sight Glass
9. Pump Oil Drain
10. Decal- Warning: Hot
11. Decal- Danger/Warning/ Caution
12. Pressure Relief Valve
13. Tank Drain Valves
14. Pressure Gauge- Tank PSI
15. Pressure Gauge- Outlet PSI
16. Pressure Regulator
17. Ventilation Openings
18. Air Compressor Pump
19. Air Filter
20. Decal- Warning: Beltguard
21. Decal- Warning: Injury
22. Beltguard

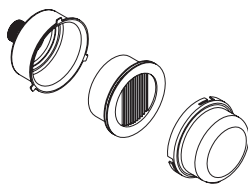
EXPLODED VIEW & EXPLANATION OF AIR COMPRESSOR FEATURES



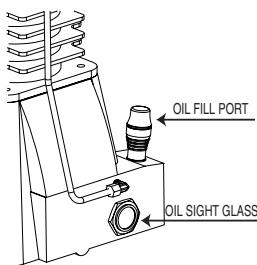
SAFETY RELIEF VALVE: This valve is designed to prevent system failures by relieving pressure from the system when the compressed air reaches a predetermined level. The valve is preset by the manufacturer and must not be modified in any way. To verify the valve is working properly, pull on the ring. Air pressure should escape. When the ring is released, it will reseal.



PILOT VALVE: When the toggle is in the upright position, all air from the air compressor is vented through the discharge muffler. This gives an easy start feature. For normal operation, the toggle is in the 90° position.



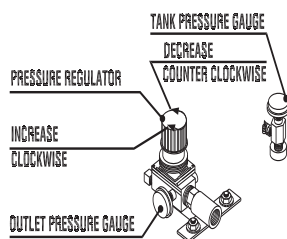
AIR INTAKE FILTER: This filter is designed to clean air coming into the pump. To ensure the pump continually receives a clean, cool, dry air supply this filter must always be clean and ventilation opening free from obstructions. Replace filter element when necessary.



OIL FILL PORT/VENT: Pour oil into the Oil Fill Port/Vent when required.

OIL SIGHT GLASS: The Oil Sight Glass displays the oil level in the pump. The oil level should be at the center of the Oil Sight Glass. If low, add SAE 30W non-detergent oil.

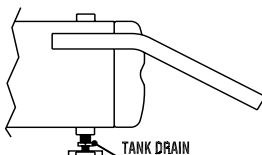
AIR COMPRESSOR PUMP: A two stage compressor pump uses two different size cylinders with the intake valve of the second smaller cylinder linked to the exhaust valve of the first larger cylinder. On the down stroke of the large cylinder, air is drawn through the intake valve while the exhaust valve remains closed. On the upstroke, air is compressed, the intake valve closes and compressed air is forced out through the exhaust valve, into the inter cooler and through the intake valve of the second smaller cylinder on its down stroke. On the upstroke of the smaller cylinder, the intake valve closes and the compressed air is compressed a second time and forced out the exhaust valve into the discharge line, through the tank check valve and into the air tank.



AIR TANK PRESSURE GAUGE: The air tank pressure gauge indicates the reserve air pressure in the air tank (s).

PRESSURE REGULATOR: The air pressure coming from the air tank is controlled by the regulator knob. Turn the pressure regulation knob clockwise to increase discharge pressure, and counterclockwise to decrease discharge pressure.

OUTLET PRESSURE GAUGE: The outlet pressure gauge indicates the air pressure available at the outlet side of the regulator. This pressure is controlled by the regulator and is always less or equal to the air tank pressure.



AIR TANK DRAIN VALVE: The drain valve is used to remove moisture from the air tank(s) after the air compressor is shut off. **NEVER attempt to open the drain valve when more than 10 PSI of air pressure is in the air tank!** To open the drain valve, turn the knob counterclockwise.

NOTES

 **WARNING** 

THE FOLLOWING PAGES CONTAIN OPERATING AND MAINTENANCE INSTRUCTIONS.

DO NOT ATTEMPT TO OPERATE THIS AIR COMPRESSOR UNTIL YOU HAVE READ AND UNDERSTOOD ALL SAFETY PRECAUTIONS AND INSTRUCTIONS LISTED IN THIS MANUAL.

INCORRECT OPERATION OF THIS UNIT CAN CAUSE SERIOUS INJURY!!

DO NOT ALTER OR MODIFY THIS EQUIPMENT IN ANY MATTER!

PREPARATION



WARNING

**RISK OF EXPLOSION OR FIRE
CAUSING SERIOUS INJURY
OR DEATH!**

Do not allow the engine or muffler to come in contact with flammable vapors, combustible dust, gases or other combustible materials. A spark may cause a fire.

When using the air compressor for spray painting, place the air compressor as far away from the work area as possible, using extra air hoses if needed.

INITIAL SET-UP:

1. Read safety warnings before setting-up air compressor.
2. Ensure the oil level in the air compressor pump is adequate. If low, add SAE 30W non-detergent oil.

LOCATION:

1. In order to avoid damaging the air compressor, do not incline the air compressor transversely or longitudinally more than 10°.
2. Place air compressor at least 12 inches away from obstacles that may prevent proper ventilation. Do not place air compressor in an area:
 - where there is evidence of oil or gas leaks.
 - where flammable gas vapors or materials may be present.
 - where air temperatures fall below 32°F or exceed 104°F.
 - where extremely dirty air or water could be drawn into the air compressor.



DANGER

**RISK OF EXPLOSION OR FIRE
CAUSING SERIOUS INJURY
OR DEATH!**

Do not smoke while fueling!

Do not fill fuel tank while air compressor is running or hot. Allow air compressor and engine to cool down for two minutes before refueling.

Do not fill fuel tank to point of overflowing. Allow approximately 1/4" of tank space for fuel expansion.

GASOLINE ENGINE:

1. Review "Risk of Fire or Explosion" pg. 4 before fueling.
2. Read the engine manual accompanying this air compressor for correct engine start-up maintenance procedures.
3. Read and understand the safety labels located on the air compressor.
4. A minimum of 86 octane fuel is recommended for use with this air compressor. Do not mix oil with gasoline.
5. Use of clean, fresh, lead free gasoline is recommended. Leaded gasoline may be used if lead free is not available. Do not use gasoline containing methanol or alcohol.
6. Check the engine oil level before starting. (See engine manual.)
7. Fill the fuel tank according to the engine manual instruction.
8. Refer to the engine manual for all necessary maintenance and adjustments.



WARNING

**RISK OF EXPLOSION OR FIRE
CAUSING SERIOUS INJURY
OR DEATH!**

Do not place unit in an area where flammable gas vapors may be present. A spark could cause an explosion or fire.

Always store fuel away from the air compressor while it is running or hot.



WARNING

RISK OF ASPHYXIATION!

Do not operate in an enclosed area. Use this product only in well ventilated areas! The exhaust from the engine contains carbon monoxide, a poisonous, odorless and invisible gas. Breathing the gas can cause serious injury, illness and possible death.

PRE-START CHECKLIST:

1. Check oil level. Add if necessary.
2. Remove any moisture in the air compressor air tank. **NEVER attempt to open the Air Tank Drain Valve when more than 10 PSI of air pressure is in the air tank!** Remove excessive pressure with an air tool, then open the Air Tank Drain Valve in the bottom of the air tank. Close tightly when drained.
3. Make sure the Engine Switch is in the "OFF" position.
4. Make sure the Safety Relief Valve is working correctly.
5. Make sure all guards and covers are in place and securely mounted.



WARNING

RISK OF BODILY INJURY!

Never attempt to open the Air Tank Drain Valve when more than 10 PSI of air pressure is in the air tank!

OPERATION

START-UP:

1. Read safety warnings before performing operation.
2. Flip the toggle on top of the Pilot Valve to the upright position. This provides a loadless start. The air compressor will unload and allow easier engine start-up.
3. Start the engine. (Refer to the Engine Manual accompanying this unit.)
4. When the engine has run for 1-2 minutes, flip toggle back to the original position.
5. Set pressure by adjusting the Pressure Regulator counterclockwise for less pressure and clockwise for more pressure.
6. If you notice any unusual noise or vibration, stop the air compressor and refer to "Troubleshooting".

SHUTDOWN:

1. To stop the air compressor, move the Engine Switch to the "Off" position. (Refer to the Engine Manual accompanying this unit.)
2. Drain air from the air tanks by releasing air with an attached air tool or by pulling on the Safety Relief Valve.
3. Once the Air Tank Pressure Gauge registers under 10 pounds, open the drain valve under each air tank to drain any moisture.
4. Allow the air compressor to cool down.
5. Wipe air compressor clean and store in a safe, non-freezing area.

MAINTENANCE

Read the instruction manual before performing maintenance. The following procedures must be performed when stopping the air compressor for maintenance or service.

1. Turn off air compressor.
2. Disconnect spark plug wire from engine.
3. Open all drains.
4. Wait for the air compressor to cool before starting service.

AC Gas Maintenance Chart

MAINTENANCE CHART				
PROCEDURE	DAILY	WEEKLY	MONTHLY	200 HOURS
Check pump oil level	X			
Check engine oil level	X			
Oil leak inspection	X			
Check engine air filter	X			
Drain condensation in air tank (s)	X			
Inspect guards/covers	X			
Check for unusual noise/vibration	X			
Check for air leaks	X			
Clean exterior of compressor		X		
Inspect air filter		X		
Inspect belt			X	
Check safety relief valve			X	
Change pump oil *				X
Replace air filter				X
Check engine spark plug				X

*The pump oil must be changed after the first 50 hours of operation and every 200 hours or 3 months, whichever comes first.

The engine oil must be changed after the first 8 hours of operation and every 50 hours or 3 months, whichever comes first.

Every 2 years, an Authorized Service Technician should check the check valve, intake valves and delivery valves.

TROUBLESHOOTING

SYMPTOM	PROBABLE CAUSE	REMEDY
Engine will not start.	Various engine problems.	Refer to the engine manual accompanying your air compressor.
	Low engine oil level.	Engine is equipped with an Oil Alert System which will not allow the engine to start if oil level is low. Add oil, if needed.
Noisy operation.	Loose engine pulley or pump flywheel.	Tighten pulley and or flywheel.
	Lack of oil in the pump.	Add correct amount of oil. Check for bearing damage.
	Carbon deposits on pistons or valves.	Remove cylinder head and inspect. Clean or replace.
	Bearing, piston or connecting rod failure.	STOP THE AIR COMPRESSOR! Contact your Customer Service.
Pressure drop in air tank or rapid pressure loss when air compressor is shut off.	Air leaks at connections.	Allow air compressor to build pressure to the maximum allowed. Turn off and brush a soapy water solution onto all connections. Check connections for air bubbles. Tighten the connections where leaks are present.
	Air leak in air tank.	Air tank must be replaced. Do not attempt to repair air tank!
	Defective Pilot Valve.	Clean or replace.
Insufficient pressure at air tool or accessory.	Pressure Regulator not turned to high enough pressure or defective.	Adjust Pressure Regulator to proper setting or replace.
	Restricted air intake .	Clean or replace Air Intake Filter.
	Air leaks or restrictions.	Check for leaks and repair.
	Hose or hose connections are too small or long.	Replace with larger hose or connectors.
	Slipping belt.	Tighten or replace.
	Air compressor is not large enough for air requirement.	Check the accessory air requirement. If it is higher than the CFM or pressure supply to the air compressor, use a larger air compressor.
Air leaks from Safety Relief Valve	Restriction in Pilot Valve.	Clean or replace.
	Possible defective Safety Relief Valve.	Operate Safety Relief Valve manually by pulling on ring. If it still leaks, it should be replaced.
	Excessive air tank pressure.	Clean, reset or replace Pilot Valve.

TROUBLESHOOTING

SYMPTOM	PROBABLE CAUSE	REMEDY
Air leaks at pump.	Defective gaskets.	Torque head bolts: Single Stage= 17 ft./lbs. Two Stage= 33 ft./lbs.
Air blowing from Air Intake Filter.	Defective inlet (reed) valve.	Contact your Customer Service.
Moisture in discharge air.	Condensation in air tank caused by high level of atmospheric humidity or air compressor is not run long enough.	Run air compressor a minimum of one hour to prevent condensation buildup. Drain air tank after every use. Drain air tank more often in humid weather and use an air line filter.
Excessive oil consumption or oil in hose.	Restricted Air Intake Filter.	Clean or replace.
	Air compressor on unlevel surface.	Do not incline the air compressor more than 10° in any direction while running.
	Crankcase overfilled with oil.	Drain oil. Refill to proper level with SAE-30W non-detergent oil.
	Wrong viscosity.	Drain oil. Refill to proper level with SAE-30W non-detergent oil.
	Plugged oil dipstick vent.	Clean.
	Plugged crankcase breather.	Clean or replace.
	Oil leaks.	Torque head bolts: Single Stage= 17 ft./lbs. Two Stage= 33 ft./lbs.
	Worn piston rings or scored cylinder.	Contact your Customer Service.
Oil has milky appearance.	Water in oil due to condensation.	Change oil and move air compressor to a less humid environment.

NOTES

STATEMENT OF WARRANTY

John Deere warrants all parts, (except those referred to below), of your new air compressor to be free from defects in materials and workmanship during the following periods:

For One (1) year from the date of original purchase:
Compressor Pump Plumbing
Tank Assembly

For Six (6) months from date of original purchase:
Pressure Switch Regulator
Check Valve Pilot Valve
Copper/stainless steel line

For Ninety (90) days from the date of original purchase:
Pressure Gauges Safety Relief Valves
Drain Valves

Defective parts not subject to normal wear and tear will be repaired or replaced at our option during the warranty period. In any event, reimbursement is limited to the purchase price paid.

EXCLUSIONS

1. Engine is covered under separate warranty by its respective manufacturer and is subject to the terms set forth therein.
2. Normal wear parts:
Isolators Air Filter
3. This warranty does not cover parts damaged due to normal wear, abnormal conditions, misapplication, misuse, accidents, operation at other than recommended speeds, pressures or temperature, improper storage or freight damage. Parts damaged or worn by operation in dusty environments are not warranted. Failure to follow recommended operating and maintenance procedures also voids warranty.
4. Labor charges, loss or damage resulting from improper operation, maintenance (other than routine air tank draining and oil changes, if applicable) or repairs made by persons other than an Authorized Service Center.
5. The use of other than Genuine Repair Parts will void warranty. Parts returned, prepaid to our factory or to an Authorized Service Center will be inspected and replaced free of charge if found to be defective and subject to warranty. Under no circumstances shall the manufacturer bear any responsibility for loss of use of the unit, loss of time or rental, inconvenience, commercial loss or consequential damages. There are no warranties which extend beyond the description of the face hereof.

For Service or Warranty consideration, contact:
Mi-T-M Corporation, 8650 Enterprise Drive, Peosta, IA 52068-0050
1-877-JD KLEEN / (1-877-535-5336 / Fax 563-556-1235
Monday-Friday 8:00 a.m. - 5:00 p.m. CST

TABLE DES MATIERES

INTRODUCTION	21
IMPORTANT	21
INSPECTION.....	21
INSTRUCTIONS IMPORTANTES DE SECURITE	22-25
RISQUE D'EXPLOSION OU D'INCENDIE.....	22
RISQUE D'ECLATEMENT.....	23
RISQUE DE PROBLEMES RESPIRATOIRES.....	23
RISQUE DE BRÛLURES	24
RISQUE DE PROJECTION D'OBJETS	24
RISQUE PROVENANT DE PIECES MOBILES	24
RISQUE RESULTANT DE LA NEGLIGENCE	25
RISQUE DE DOMMAGES AU COMPRESSEUR	25
DESSINS DES COMPOSANTS.....	26 & 28
REVUE DES COMPOSANTS	27 & 29
NOTE.....	30
CONSIGNES DE PREPARATION	32-33
INSTALLATION INITIALE.....	32
EMPLACEMENT	32
MOTEUR A ESSENCE.....	32
POINTS DE CONTROLE AVANT DEMARRAGE.....	33
CONSIGNES D'UTILISATION	34
MISE EN MARCHÉ	34
MISE A L'ARRÊT	34
CONSIGNES D'ENTRETIEN	35
DEPANNAGE.....	36-37
BON DE GARANTIE.....	38
NOTE.....	39



INTRODUCTION

Félicitations de l'achat de votre nouveau compresseur d'air! Vous pouvez être assuré que votre nouveau compresseur a été construit avec le plus haut niveau de précision et de fiabilité. Chaque composant a été rigoureusement testé par des techniciens pour assurer la qualité, la durabilité et la performance de ce compresseur d'air.

Ce manuel opérateur a été dressé pour que vous en retiriez le meilleur parti. Par la lecture et l'application des mesures simples de sécurité, d'installation et d'opération, d'entretien et de dépannage décrites dans ce manuel, votre nouveau compresseur d'air fonctionnera sans faille pendant de nombreuses années. Le contenu de ce manuel est basé sur la dernière information disponible du produit au moment de la publication. Le fabricant se réserve le droit d'effectuer des changements de prix, de couleur, de matériaux, d'équipement, de caractéristiques ou de modèles à tout moment sans communication préalable.

! IMPORTANT !

Les avertissements de sécurité "DANGER, AVERTISSEMENT ou ATTENTION" seront entourés par un "ENCADRE ALERTE SECURITE". Cet encadré est utilisé pour indiquer et souligner les avertissements de sécurité qui doivent être suivis en utilisant ce compresseur d'air. En plus des avertissements de sécurité, des "mots d'alerte" sont utilisés pour indiquer le degré ou niveau de risque. Les "mots d'alerte" utilisés dans ce manuel sont comme suit:

DANGER: Indique une situation présentant un danger imminent qui, si elle n'est pas évitée, ENTRAINERA la mort ou des blessures graves.

AVERTISSEMENT: Indique une situation potentiellement dangereuse qui, si elle n'est pas évitée, POURRAIT entraîner la mort ou des blessures graves.



ATTENTION: Indique une situation potentiellement dangereuse, qui, si elle n'est pas évitée, PEUT entraîner des blessures mineures ou peu graves.



Les symboles placés à gauche de ce paragraphe sont des "symboles d'alerte de sécurité". Ces symboles sont utilisés pour souligner les points ou les procédures qui pourraient être dangereux pour vous ou tout autre personne utilisant cet équipement.



FURNISSEZ TOUJOURS UNE COPIE DE CE MANUEL A TOUTE PERSONNE UTILISANT CET EQUIPEMENT. LISEZ TOUTES LES INSTRUCTIONS AVANT D'UTILISER CE COMPRESSEUR ET TOUTES LES INSTRUCTIONS DES FABRICANTS DE L'EQUIPEMENT SECONDAIRE ET SOYEZ PARTICULIEREMENT ATTENTIF AUX "AVERTISSEMENT DE SÉCURITÉ" POUR EVITER LA POSSIBILITÉ DE BLESSURES POUR L'UTILISATEUR

Une fois l'appareil déballé, écrivez immédiatement le numéro de série de votre appareil dans l'espace ci-dessous

NUMERO DE SÉRIE _____

Assurez-vous qu'il n'y a pas de signe de dommages évidents ou cachés suite au transport. En cas de dommage, remplissez immédiatement une réclamation avec la compagnie de transport. Assurez-vous que toutes les pièces endommagées sont remplacées et les problèmes mécaniques et électriques corrigés avant l'utilisation de l'appareil. Si vous avez besoin d'assistance, entrez en contact avec votre service clientèle.

Mi-T-M® Corporation, 8650 Enterprise Drive, Peosta, IA 52068
1-877-JD-KLEEN / (1-877-535-5336) Fax 563-556-1235
du lundi au vendredi de 8h00 à 17h00 CST (heure centrale)

Veillez avoir les informations suivantes disponibles pour toute intervention:

1. Numéro de modèle
2. Numéro de série
3. Date et lieu d'achat

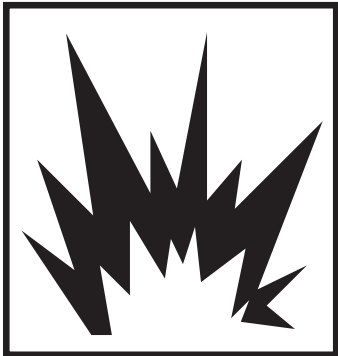



INSTRUCTIONS IMPORTANTES DE SECURITE



AVERTISSEMENT: Lors de l'utilisation de ce produit, des précautions de bases doivent toujours être observées, incluant les suivantes:



LIRE TOUTES LES CONSIGNES DE SECURITE AVANT UTILISATION

RISQUE	CONSEQUENCE POTENTIELLE	PREVENTION
<p data-bbox="188 281 526 338">RISQUE D'EXPLOSION OU D'INCENDIE</p>  	<p data-bbox="571 281 974 436">Des blessures graves ou la mort peuvent être provoquées par des étincelles normales dans le système d'allumage du moteur ou dans l'échappement/silencieux.</p> <p data-bbox="571 646 974 737">Des blessures ou la mort peuvent résulter d'un approvisionnement en carburant incorrect.</p> <p data-bbox="571 1745 974 1900">De serieuses blessures peuvent survenir si les orifices de ventilation du compresseur sont bouchés, L'appareil surchaufferait et pourrait provoquer un incendie.</p>	<p data-bbox="1006 281 1412 457">Utilisez toujours le compresseur dans un endroit bien aéré où il n'y a pas de vapeurs inflammables, de la poussière de combustible, des gaz ou d'autres matériaux combustibles.</p> <p data-bbox="1006 468 1429 644">NE FUMEZ PAS si vous pulvérisez une matière inflammable. Placez le compresseur à au moins 20 pieds (6 M) de la zone de pulvérisation. (Un tuyau supplémentaire peut être exigé.)</p> <p data-bbox="1006 655 1412 711">Ne fumez pas lors du remplissage du réservoir de carburant.</p> <p data-bbox="1006 722 1396 898">Ne jamais remplir le réservoir de carburant alors que le moteur est chaud ou en marche. Laissez refroidir deux minutes avant le réapprovisionnement en combustible.</p> <p data-bbox="1006 909 1429 999">Ne réapprovisionnez pas en combustible en intérieur ou dans un secteur mal aéré.</p> <p data-bbox="1006 1010 1412 1144">Remplissez toujours le réservoir de carburant lentement pour éviter que du carburant ne soit renversé, ce qui pourrait causer un risque d'incendie.</p> <p data-bbox="1006 1155 1429 1331">N'utilisez pas l'appareil si de l'essence est renversée. Essuyez le compresseur à air et éloignez-le de la flaque. Évitez d'allumer quoi que ce soit jusqu'à l'évaporation totale de l'essence.</p> <p data-bbox="1006 1341 1429 1518">Ne rangez pas le compresseur près d'une flamme ou d'un équipement tel qu'un fourneau, un four, un chauffe-eau, etc., équipé d'une lampe témoin ou d'un dispositif d'étincellement.</p> <p data-bbox="1006 1528 1429 1734">Un anti-étincelles doit être ajouté à l'échappement de ce moteur si celui-ci doit être utilisé sur toute terre vierge recouverte d'arbres, de broussailles ou d'herbe. L'anti-étincelles doit être maintenu en bon ordre de marche par l'utilisateur.</p> <p data-bbox="1006 1745 1429 1921">Ne placez jamais d'objets contre ou sur le compresseur à air. Utilisez toujours le compresseur à au moins 12 inches (30cm) de tout mur ou obstacle qui restreindrait la ventilation.</p>



INSTRUCTIONS IMPORTANTES DE SECURITE
LIRE TOUTES LES CONSIGNES DE SECURITE AVANT UTILISATION





RISQUE	CONSEQUENCE POTENTIELLE	PREVENTION
<p>RISQUE D'ECLATEMENT</p> 	<p>De sérieuses blessures ou la mort peuvent survenir suite à l'explosion d'un réservoir d'air si les réservoirs d'air ne sont pas correctement entretenus.</p> <p>De graves blessures peuvent survenir suite à une dysfonction du compresseur ou à l'explosion d'accessoires si des composants du système, des rajouts ou des accessoires inadéquats sont utilisés.</p>	<p>Purgez l'air du réservoir quotidiennement ou après chaque utilisation afin d'éviter toute humidité dans le réservoir d'air.</p> <p>Si un réservoir d'air fuit, remplacer le réservoir immédiatement.</p> <p>Ne jamais réparer, souder, ou modifier le réservoir d'air ou ses accessoires. Utilisez uniquement des pièces de réparation d'origine pour votre compresseur.</p> <p>Ne jamais modifier les pressions établies en usine.</p> <p>Ne jamais excéder la valeur maximale de pression recommandée des accessoires établis par le fabricant.</p> <p>En raison de la chaleur extrême, ne pas utiliser de tuyau en plastique ou de joints soudés à l'étain/fer pour la conduite de décharge.</p> <p>Ne jamais utiliser le compresseur pour gonfler de petits objets à faible pression tels que les jouets d'enfants.</p>
<p>RISQUE DE PROBLEMES RESPIRATOIRES</p> 	<p>De graves blessures ou la mort peuvent survenir suite à l'inhalation de l'air comprimé. Le jet d'air peut contenir de l'oxyde de carbone, des vapeurs toxiques ou des particules solides.</p> <p>De graves blessures ou la mort peuvent survenir suite à l'inhalation de l'échappement du moteur.</p> <p>Les matériaux pulvérisés tels que la peinture, les solvants de peinture, les décapants, les insecticides, les désherbants et autre contiennent des vapeurs nocives et toxiques.</p>	<p>N'inhalez jamais d'air du compresseur que ce soit directement ou par un dispositif de respiration relié au compresseur.</p> <p>Ce compresseur à été conçu pour une utilisation en extérieur. N'utilisez jamais ce compresseur dans un lieu clos. Assurez-vous toujours qu'il y a une ventilation adéquate (air frais de l'extérieur) pour la respiration et la combustion. Ceci empêchera la formation de gaz dangereux d'oxyde de carbone. Méfiez vous des secteurs mal aérés, ou des secteurs où les ventilateurs ne peuvent assurer qu'un faible renouvellement d'air.</p> <p>N'utiliser le compresseur que dans un endroit bien aéré. Suivez toutes les instructions de sécurité fournies avec les matériaux que vous pulvérisiez. L'utilisation d'un respirateur peut être exigée en travaillant avec certains matériaux.</p>



INSTRUCTIONS IMPORTANTES DE SECURITE

LIRE TOUS LES AVERTISSEMENTS DE SECURITE AVANT UTILISATION




RISQUE	CONSEQUENCE POTENTIELLE	PREVENTION
<p style="text-align: center;">RISQUE DE BRULURES</p> 	<p>De graves blessures peuvent survenir si vous touchez des parties métalliques exposées. Ces secteurs peuvent rester chaud un certains temps après l'arrêt de l'appareil.</p>	<p>Ne laissez jamais une partie de votre corps ou d'autres matériaux entrer en contact avec des parties métalliques sur le compresseur à air.</p> <p>Ne laissez jamais des parties de votre corps entrer en contact avec l'échappement du moteur ou des zones adjacentes.</p>
<p style="text-align: center;">RISQUE DE PROJECTION D'OBJETS</p> 	<p>Le jet d'air comprimé peut causer des lésions aux tissus de la peau exposée.</p> <p>Des blessures graves peuvent être provoquées par des débris solides projetés à grande vitesse par le jet d'air comprimé.</p>	<p>Portez toujours des lunettes de sécurité afin de vous protéger contre d'éventuels débris volants.</p> <p>Ne jamais diriger le jet d'air vers votre corps, d'autres individus ou des animaux.</p> <p>Ne jamais laisser d'air sous pression dans le compresseur. Mettez vous à la position arrêt et relâchez la pression avant de ranger ou d'entamer l'entretien de votre appareil.</p> <p>Ecarter toute personne ou animal de la zone d'utilisation quand vous travaillez.</p> <p>Ne jamais déplacer le compresseur lorsque le réservoir d'air est sous pression. N'essayer pas de déplacer l'appareil en tirant sur le tuyau.</p>



INSTRUCTIONS IMPORTANTES DE SECURITE

LIRE TOUS LES AVERTISSEMENTS DE SECURITE AVANT UTILISATION



RISQUE	CONSEQUENCE POTENTIELLE	PREVENTION
<p style="text-align: center;">RISQUE PROVENANT DES PIECES MOBILES</p> <div style="text-align: center;">  </div>	<p>Risque de blessures corporelles causé par les pièces mobiles.</p>	<p>Avant l'<u>entretien</u>, coupez toujours le compresseur. Purgez la pression du tuyau d'air et déconnectez le fil de la bougie afin d'éviter que le moteur ne démarre de manière inattendue. Toute <u>réparation</u> effectuée sur le compresseur à air doit être effectuée par un technicien de service autorisé.</p> <p>Ne jamais faire fonctionner le compresseur sans gardes et caches de protection. Débrancher toujours le compresseur avant d'enlever toute garde de protection. Remplacer les gardes et caches de protection si elles sont endommagées avant</p>
<p style="text-align: center;">RISQUE RESULTANT DE LA NEGLIGENCE</p>	<p>Risques de blessures suite à une utilisation négligente.</p>	<p>Ne jamais laisser d'enfants ou d'adolescents utiliser ce compresseur!</p> <p>Restez alerte, observez bien ce que vous faites. N'utilisez pas l'appareil sous l'effet de la fatigue, de l'alcool ou de la drogue.</p> <p>Sachez arrêter le compresseur. Soyez complètement au courant des contrôles.</p>
<p style="text-align: center;">RISQUE DE DOMMAGES AU COMPRESSEUR</p>	<p>Risque de réparations importantes.</p>	<p>N'utilisez jamais ce compresseur sans filtre à air.</p> <p>N'utilisez jamais ce compresseur dans un environnement corrosif.</p> <p>Ne faire fonctionner le compresseur que lorsqu'il est en position stable et ferme afin d'éviter la chute de l'appareil.</p> <p>Veillez lire toutes les instructions d'entretien contenues dans ce manuel.</p>

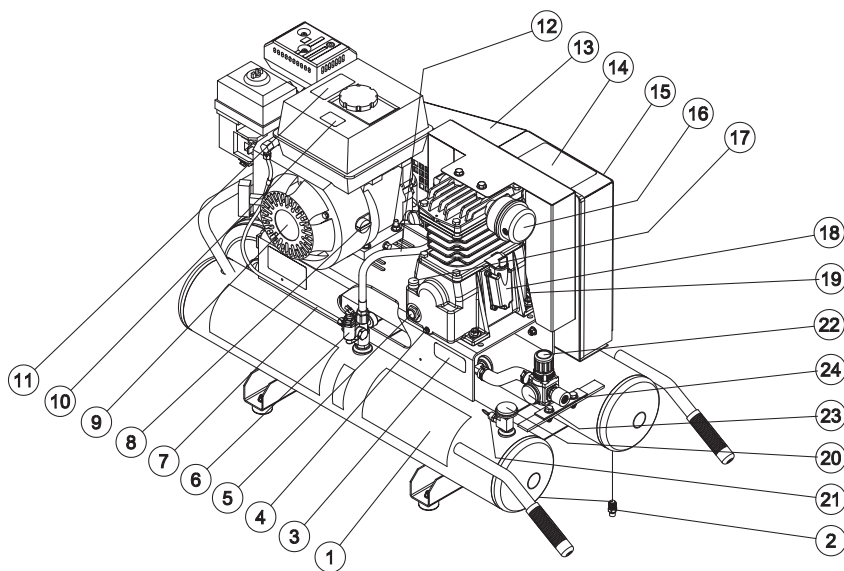


! GARDEZ CES INSTRUCTIONS !



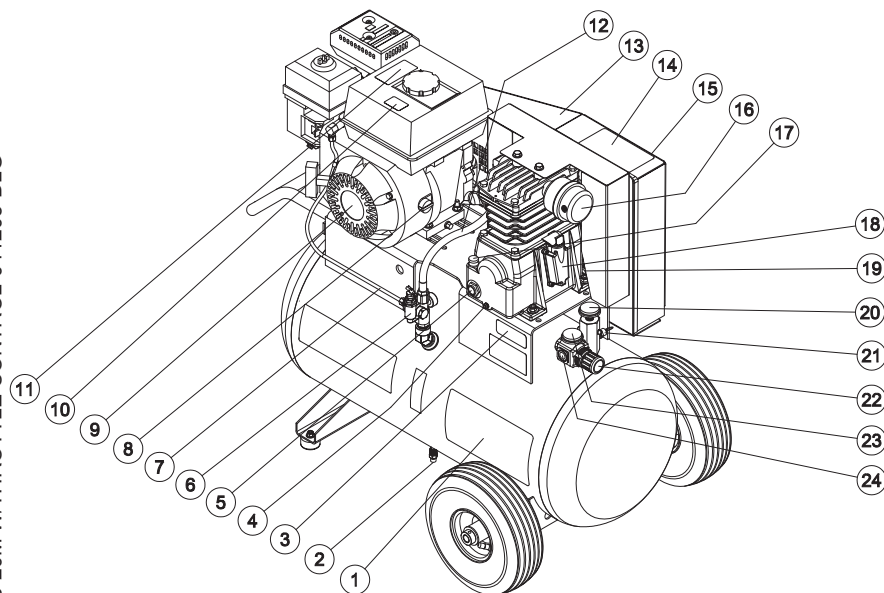
COMPOSANTS DU COMPRESSEUR D'AIR A ESSENCE (ETAGE UNIQUE)

AC1-PH55-08 FEATURE-041205-DLG

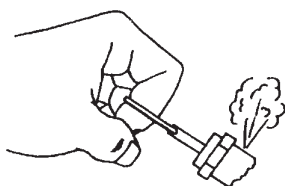


1. Décalque-Danger/Avertissement/ Attention
2. Vidange du réservoir
3. Décalque- Avertissement: Chaud
4. Vidange d'huile de la pompe
5. Verre De Vue D'Huile
6. Valve pilote
7. Contrôle de la vitesse du moteur
8. Interrupteur du moteur
9. Moteur
10. Décalque- Attention: Risque d'incendie
11. Décalque- Avertissement: Surfaces chaudes
12. Conduite de décharge de la pompe
13. Carter de courroie
14. Décalque- Avertissement: Risque de blessure
15. Décalque- Avertissement: Carter de courroie en place
16. Filtre à air
17. Orifice de remplissage d'huile
18. Pompe
19. Orifices de ventilation
20. Manomètre du réservoir d'air
21. Soupape de dépressurisation
22. Régulateur de pression
23. Manomètre de sortie
24. Raccord de sortie

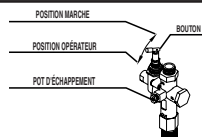
AC1-PH55-20M W/THROTTLE CONTROL-041205-DLG



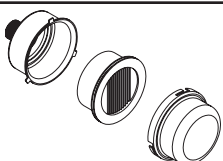
VUE ECLATEE & EXPLICATIONS DES COMPOSANTS DU COMPRESSEUR



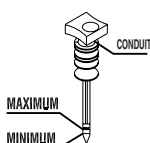
SOUPAPE DE SECURITE: Cette valve est conçue pour éviter les pannes du système en relâchant la pression du système lorsque l'air comprimé a atteint un seuil prédéterminé. Cette valve est pré-réglée par le fabricant et ne doit être modifiée en aucune façon. Afin de vérifier si la valve fonctionne correctement, tirez sur l'anneau. L'air comprimé devrait s'évacuer. Quand l'anneau est relâché, il se remet en place.



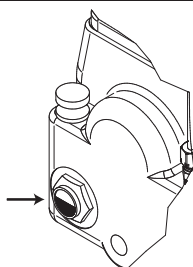
VALVE PILOTE: Quand l'interrupteur est en position horizontale, tout l'air est déchargé par l'échappement. Ceci constitue un dispositif de démarrage facile. Pendant l'utilisation normale, l'interrupteur est en position verticale.



FILTRE D'ADMISSION D'AIR: Ce filtre est conçu pour nettoyer l'air entrant dans la pompe. Afin d'assurer à la pompe un approvisionnement en air frais, sec et propre, ce filtre doit toujours être propre et les orifices de ventilations ne doivent pas être obstrués. Remplacer le filtre dès que nécessaire.



JAUGEUR D'HUILE: Le jaugeur indiquera la quantité d'huile dans la pompe. Le niveau d'huile doit être vérifié quotidiennement afin de s'assurer que le niveau ne chute pas en dessous ou ne grimpe pas au-dessus des encoches minimum et maximum du jaugeur. Si le niveau d'huile est bas, ajouter de l'huile non détergente SAE30.



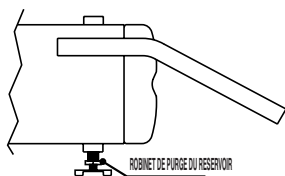
ORIFICE DE REMPLISSAGE D'HUILE: Versez de l'huile dans l'orifice de remplissage d'huile quand cela sera nécessaire.

INDICATEUR DE NIVEAU D'HUILE A VUE DIRECTE: L'indicateur de niveau d'huile à vue directe indique le niveau d'huile dans la pompe. Le niveau d'huile doit être au centre de l'indicateur. Si le niveau d'huile est bas, ajouter de l'huile non détergente SAE30.

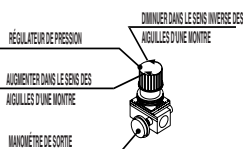
POMPE DU COMPRESSEUR A AIR: Pour compresser l'air, les pistons effectuent un mouvement vertical dans les cylindres. Quand le piston descend, l'air est injecté par les soupapes d'admission d'air tandis que les soupapes d'échappement restent fermées. A la remontée du piston, l'air est comprimé, les soupapes d'admission se ferment, et l'air comprimé est éjecté par les soupapes d'échappement, dans le tuyau de refoulement, par la valve pilote jusque dans le réservoir d'air.

MANOMETRE DU RESERVOIR D'AIR: Le manomètre du réservoir d'air indique la pression d'air en réserve dans le/les réservoir(s).

ROBINET DE PURGE DU RESERVOIR D'AIR: Le rôle du robinet de purge est d'évacuer l'humidité du/des réservoir(s) après l'arrêt de l'appareil. **NE TENTER JAMAIS d'ouvrir le robinet de purge du réservoir d'air quand la pression qu'il contient dépasse 10 PSI (0.68 BAR)!** Pour ouvrir le robinet de purge, tourner le bouton dans le sens inverse des aiguilles d'une montre.



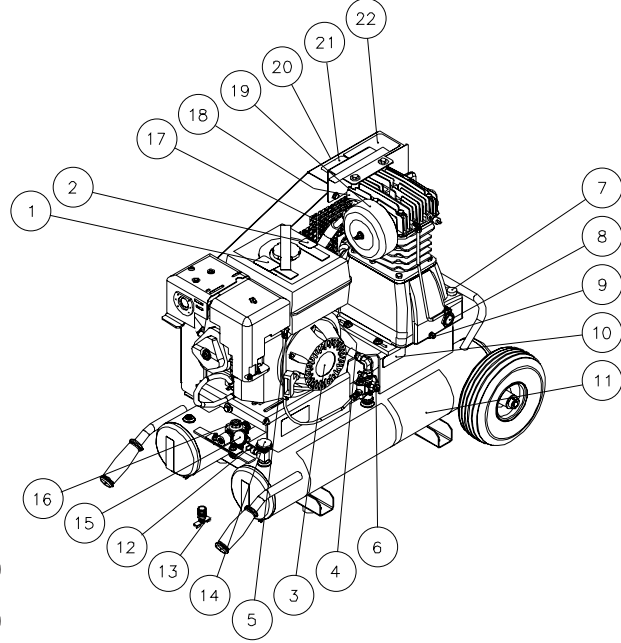
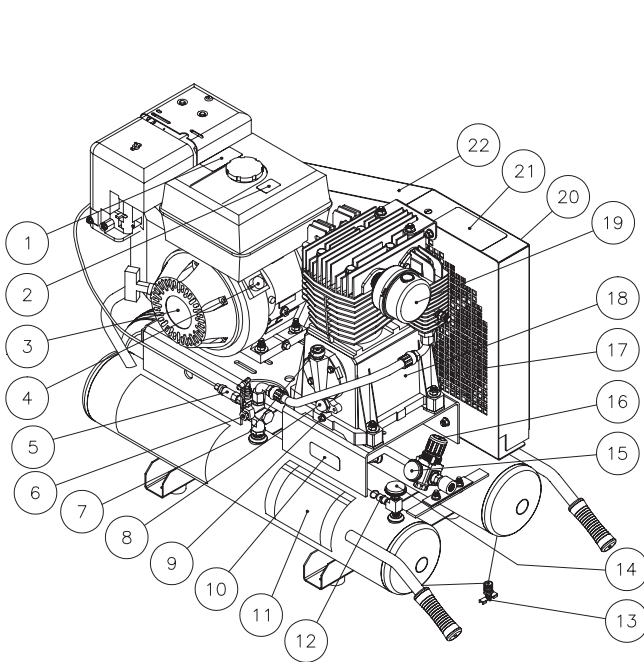
REGULATEUR DE PRESSION OPTIONEL: La pression d'air provenant du réservoir d'air est contrôlée par le bouton du régulateur. Tourner le bouton régularisateur de pression dans le sens des aiguilles d'une montre pour augmenter la pression de décharge, et dans le sens inverse des aiguilles d'une montre pour diminuer la pression de décharge.



MANOMETRE DE SORTIE OPTIONEL: Le manomètre de sortie indique la pression d'air disponible du côté de la sortie du régulateur. Cette pression est contrôlée par le régulateur et est toujours moindre ou égale à la pression du réservoir.

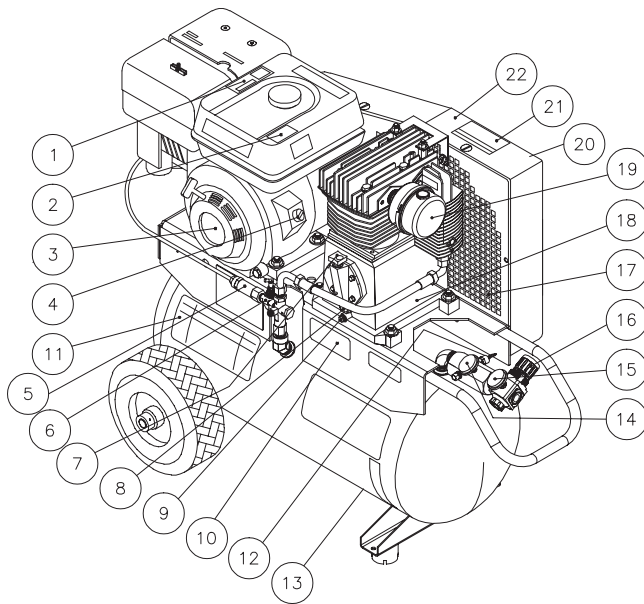
CARACTERISTIQUES DU COMPRESSEUR A AIR A ESSENCE (TWO STAGE)

AC2-PH08-PV09-FEATURES-012704-DLG



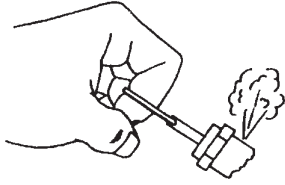
AS2-PH08-PR09-PV09-08 FEATURES-012704-DLG

AC2-PH08-PV09-20-FEATURE-012704-DLG

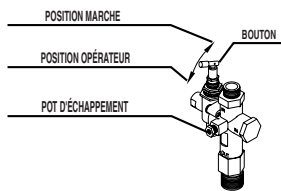


1. Décalque- Avertissement: Surfaces chaudes
2. Décalque- Avertissement: Risque d'incendie
3. Moteur
4. Interrupteur du moteur
5. Contrôle de la vitesse du moteur
6. Valve pilote
7. Orifice de remplissage d'huile
8. Fenêtre à niveau d'huile visible
9. Vidange d'huile de la pompe
10. Décalque- Avertissement: Chaud
11. Décalque Danger/Avertissement/Attention
12. Valve de sécurité
13. Robinet de purge du réservoir d'air
14. Manomètre du réservoir d'air
15. Manomètre de sortie
16. Régulateur de pression
17. Orifices de ventilation
18. Pompe du compresseur à air
19. Filtre d'admission de l'air
20. Décalque- Avertissement: Sécurité de courroie en place
21. Décalque- Avertissement: Risque de blessure
22. Sécurité de courroie

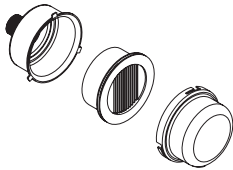
VUE ECLATEE & EXPLICATIONS DES DISPOSITIFS DU COMPRESSEUR



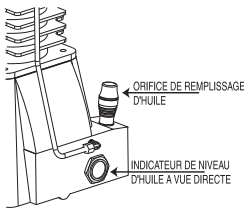
SOUPAPE DE SECURITE: Cette soupape est conçue pour éviter les pannes système en relâchant la pression du système lorsque l'air pressurisé a atteint un seuil prédéterminé. Cette valve est pré réglée par le fabricant et ne doit être modifiée en aucune façon. Afin de vérifier si la valve fonctionne correctement, tirez sur l'anneau. De l'air sous pression devrait s'échapper. Quand l'anneau est relâché, il se remet en place.



VALVE PILOTE: Quand l'interrupteur est en position horizontale, tout l'air est déchargé par l'échappement. Ceci constitue un dispositif de démarrage facile. Pendant l'utilisation normale, l'interrupteur est en position verticale.



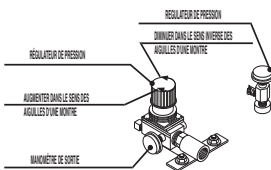
FILTRE D'ADMISSION D'AIR: Ce filtre est conçu pour nettoyer l'air entrant dans la pompe. Afin d'assurer à la pompe un approvisionnement en air frais, sec et propre, ce filtre doit toujours être propre et les orifices de ventilations ne doivent pas être obstrués. Le filtre peut être retiré et nettoyé avec de l'eau chaude savonneuse. Rincez le filtre et laissez sécher. Remplacer le filtre dès que nécessaire.



ORIFICE DE REMPLISSAGE D'HUILE: Versez de l'huile dans l'orifice de remplissage d'huile quand cela sera nécessaire.

INDICATEUR DE NIVEAU D'HUILE A VUE DIRECTE: L'indicateur de niveau d'huile à vue directe indique le niveau d'huile dans la pompe. Le niveau d'huile doit être au centre de l'indicateur. Si le niveau d'huile est bas, ajouter de l'huile non détergente SAE30.

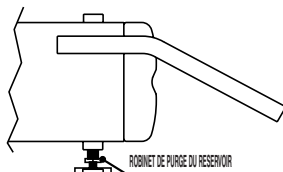
POMPE DU COMPRESSEUR D'AIR: Une pompe de compresseur à deux étages utilise deux cylindres de tailles différentes avec les soupapes d'admission du second cylindre reliées à la soupape d'échappement du premier cylindre (plus gros). Quand le piston du plus gros cylindre descend, l'air est injecté par la soupape d'admission tandis que la soupape d'échappement reste fermée. Quand le piston remonte, l'air est comprimé, la soupape d'admission se ferme et l'air comprimé est éjecté par la soupape d'échappement jusque dans le radiateur (inter cooler), puis par la valve d'admission du second cylindre (plus petit) au moment où son piston descend. Quand le piston du plus petit cylindre remonte, la valve d'admission se ferme et l'air comprimé est comprimé une seconde fois avant d'être éjecté par la soupape d'échappement dans la conduite de décharge, puis arrive à la soupape de retenue du réservoir puis, finalement, dans le réservoir.



MANOMÈTRE DU RÉSERVOIR D'AIR: Le manomètre du réservoir d'air indique la pression d'air en réserve dans le/les réservoir(s).

RÉGULATEUR DE PRESSION: La pression d'air provenant du réservoir d'air est contrôlée par le bouton du régulateur. Tourner le bouton régularisateur de pression dans le sens des aiguilles d'une montre pour augmenter la pression de décharge, et dans le sens inverse des aiguilles d'une montre pour diminuer la pression de décharge.

MANOMÈTRE DE SORTIE: Le manomètre de sortie indique la pression d'air disponible du côté de la sortie du régulateur. Cette pression est contrôlée par le régulateur et est toujours moindre ou égale à la pression du réservoir.



ROBINET DE PURGE DU RÉSERVOIR D'AIR: Le rôle du robinet de purge est d'évacuer l'humidité du/des réservoir(s) après l'arrêt de l'appareil. **NE TENTER JAMAIS d'ouvrir le robinet de purge du réservoir d'air quand la pression qu'il contient dépasse 10 PSI (0.68 BAR)!** Pour ouvrir le robinet de purge, tourner le bouton dans le sens inverse des aiguilles d'une montre.

NOTE

 **AVERTISSEMENT** 

LES PAGES SUIVANTES CONTIENNENT LES CONSIGNES D'UTILISATION ET D'ENTRETIEN.

NE TENTER PAS DE FAIRE FONCTIONNER CE COMPRESSEUR D'AIR AVANT D'AVOIR LU ET COMPRIS TOUTES LES PRECAUTIONS ET CONSIGNES DE SECURITE CONTENUES DANS CE MANUEL.

L'UTILISATION INAPPROPRIEE DE CET APPAREIL PEUT CAUSER DES BLESSURES SERIEUSES!!

NE PAS ALTERER OU MODIFIER CET EQUIPEMENT EN AUCUNE MANIERE!

CONSIGNES DE PREPARATION



AVERTISSEMENT
RISQUE D'EXPLOSION OU D'INCENDIE PROVOQUANT DE GRAVES BLESSURES OU LA MORT

Ne pas laisser le moteur ou l'échappement entrer en contact avec des vapeurs inflammables, de la poussière de combustible, des gaz ou d'autres matériaux combustibles. Une étincelle pourrait provoquer un incendie.

Quand le compresseur sert à pulvériser de la peinture, le placer aussi loin que possible du champ de travail, en utilisant des manches à air en plus au lieu de rallonges électriques.

INSTALLATION INITIALE:

1. Lire les avertissements de sécurité avant d'installer le compresseur.
2. Assurez-vous que le niveau d'huile de la pompe du compresseur est correct. Si le niveau est trop bas, ajouter de l'huile SAE30 non détergente.

EMPLACEMENT:

1. Afin d'éviter d'abîmer le compresseur, n'inclinez pas celui-ci de plus de 10° transversalement et longitudinalement.
2. Placer le compresseur au moins à 12 inches (30cm) d'éventuels obstacles qui pourraient nuire à la ventilation. Ne placer pas le compresseur dans un endroit:
 - Où il y a des traces de fuite d'huile ou d'essence.
 - Où des gaz ou matériaux inflammables peuvent être présents.
 - Où la température de l'air tombe en-dessous de 32°F (0°C) ou dépasse 104°F (40°C).
 - Où de l'air ou de l'eau très sales peuvent s'infiltrer dans le compresseur.



DANGER
RISQUE D'EXPLOSION OU D'INCENDIE PROVOQUANT DE GRAVES BLESSURES OU LA MORT

Ne pas fumer pendant l'approvisionnement en carburant!

Ne pas remplir le réservoir lorsque l'appareil est chaud ou en marche. Laisser le compresseur et le moteur refroidir pendant 2 minutes avant l'approvisionnement. Ne pas trop remplir le réservoir. Accorder à peu près 1/4 de pouce de l'espace du réservoir pour l'expansion du carburant.

MOTEUR A ESSENCE:

1. Revoir "Risque d'incendie ou d'explosion" pg. 22 avant l'approvisionnement en carburant.
2. Lire le manuel du moteur fourni avec ce compresseur pour les procédures correctes de l'entretien du démarrage du moteur.
3. Lire et comprendre les étiquettes de sécurité se trouvant sur le compresseur
4. Un carburant à indice d'octane de 85 au minimum est recommandé pour ce compresseur. Ne pas mélanger d'huile à l'essence.
5. L'utilisation d'essence sans plomb, fraîche et propre est recommandée. On peut aussi utiliser de l'essence avec plomb si il n'y a pas d'essence sans plomb. Ne pas utiliser d'essence contenant du méthanol ou de l'alcool.
6. Vérifier le niveau d'huile du moteur avant le démarrage (voir le manuel du moteur.)
7. Remplir le réservoir d'essence selon les instructions du manuel du moteur
8. Se référer au manuel du moteur pour tout entretien et tout réglage nécessaires.



AVERTISSEMENT
RISQUE D'EXPLOSION OU D'INCENDIE PROVOQUANT DE GRAVES BLESSURES OU LA MORT

Ne placez pas l'appareil dans un endroit où des vapeurs ou gaz inflammables peuvent être présentes. Une étincelle pourrait causer une explosion ou un incendie. Placez toujours le carburant loin de l'appareil quand celui-ci est chaud ou en marche.

CONSIGNES DE PREPARATION

POINTS DE CONTROLE AVANT DEMARRAGE:

1. Vérifier le niveau d'huile. Ajouter de l'huile si nécessaire.
2. Enlever toute humidité du réservoir d'air du compresseur. **NE TENTER JAMAIS d'ouvrir le robinet de purge du réservoir d'air quand la pression qu'il contient dépasse 10 PSI (0.68 BAR)!**
Enlever la pression excessive avec un outil pneumatique, puis, ouvrir le robinet de purge du réservoir d'air situé en bas du réservoir d'air. Bien fermer une fois vidé.
3. S'assurer que l'interrupteur Moteur/Pression est dans la position "OFF".
4. S'assurer que la soupape de sûreté marche correctement.
5. S'assurer que toutes les gardes et caches de protection sont en place et sont solidement assemblées.



AVERTISSEMENT RISQUE D'ASPHYXIE!

Ne pas utiliser l'appareil dans un lieu clos. Utiliser ce produit uniquement dans des endroits bien aérés! L'échappement du moteur contient de l'oxyde de carbone, un gaz inodore, invisible et toxique. L'inhaler présenterait un risque de blessures, maladie, ou de mort possible



AVERTISSEMENT RISQUE DE BLESSURES CORPORELLES

Ne tenter jamais d'ouvrir le robinet de purge du réservoir d'air lorsque la pression qu'il contient dépasse 10 PSI (0.68 BAR)!

CONSIGNES D'UTILISATION

DEMARRAGE:

1. Lire les avertissements de sécurité avant l'utilisation
2. Mettez l'interrupteur se trouvant sur la valve pilote en position horizontale. Ceci aura pour effet un démarrage à vide. Le compresseur se videra et permettra un démarrage du moteur plus facile.
3. Démarrer le moteur. (se référer au manuel du moteur fourni avec l'appareil)
4. Après que le moteur ait tourné 1-2 minutes, remettez l'interrupteur dans sa position initiale.
5. Ajustez la pression en réglant le régulateur de pression dans le sens contraire des aiguilles d'une montre pour moins de pression et dans le sens des aiguilles d'une montre pour plus de pression.
6. Si vous détectez des bruits ou des vibrations inhabituels, arrêter le compresseur et référez-vous au "Dépannage".

ARRET:

1. Pour arrêter le compresseur à air, mettre l'interrupteur du moteur en position "off" (référez-vous au manuel du moteur fourni avec l'appareil.)
2. Evacuez l'air du/des réservoir(s) à l'aide d'un outil pneumatique raccordé ou en tirant sur la soupape de décharge de sécurité.
3. Un fois que le manomètre du réservoir d'air enregistre moins de 10 livres (4.5 KG), ouvrir le robinet de purge du réservoir d'air sous chaque réservoir d'air pour évacuer toute humidité.
4. Laissez le compresseur à air refroidir
5. Nettoyez le compresseur à air et rangez le dans un endroit sûr, où la température est au-dessus de 0°C

CONSIGNES D'UTILISATION

CONSIGNES D'ENTRETIEN:

Lire le manuel d'utilisation avant l'entretien. Les procédures suivantes doivent être effectuées lors de l'arrêt de la machine pour l'entretien ou la réparation.

1. Arrêter le compresseur.
2. Déconnecter le fil de la bougie du moteur.
3. Ouvrir tous les orifices de vidange.
4. Laisser le compresseur refroidir avant l'entretien ou la réparation.

TABLEAU D'ENTRETIEN

AC Gas French Maintenance Chart

TABLEAU D'ENTRETIEN				
PROCEDURE	TOUS LES JOURS	TOUS LES MOIS	TOUS LES ANS	200 HEURES
Vérifier le niveau d'huile de pompe	X			
Vérifier le niveau d'huile moteur	X			
Vérifier les fuites d'huile éventuelles	X			
Vérifier le filtre à air du moteur	X			
Evacuer la condensation dans le(s) réservoir(s) d'air	X			
Inspection des caches de sécurité	X			
Vérification de bruit/ vibration inhabituel	X			
Rechercher d'éventuelles fuites d'air	X			
Nettoyer l'extérieur du compresseur		X		
Inspection du filtre à air		X		
Inspection de la courroie			X	
Vérifier la soupape de décharge de sécurité			X	
Changer l'huile de pompe *				X
Remplacer le filtre à air				X
Vérifier la bougie d'allumage du moteur				X

*L'huile de la pompe doit être changée après les 50 premières heures d'utilisation, puis toutes les 200 heures ou trois mois, au plus tôt de ces deux valeurs

L'huile du moteur doit être changée après les 8 premières heures d'utilisation, puis toutes les 50 heures ou trois mois, au plus tôt de ces deux valeurs.

Tous les deux ans, un technicien de service autorisé devrait vérifier la soupape de retenue, la soupape d'admission ainsi que toutes les soupapes de distribution.

DEPANNAGE

SYMPTOME	CAUSE PROBABLE	REMEDE
Le moteur refuse de démarrer.	Problèmes variés du moteur.	Référez vous au manuel du moteur fourni avec l'appareil.
Fonctionnement bruyant.	La poulie du moteur ou le volant à inertie de la pompe ont du jeu.	Resserer la poulie et/ou le volant à inertie. Ajouter la quantité appropriée.
	Manque d'huile dans la pompe.	Vérifier si il y a des dommages aux paliers,
	Dépôt de carbone sur les pistons ou sur les valves.	Retirer la tête du cylindre afin de l'inspecter. Nettoyer ou remplacer.
	Panne des paliers, pistons ou une panne de l'ensemble de bielle.	ARRETER LE COMPRESSEUR! Prenez contact avec votre concessionnaire.
Une chute de pression dans le réservoir d'air ou une perte rapide de pression quand le compresseur est coupé.	Fuites d'air au niveau des raccords.	Laisser le compresseur aller jusqu'à la pression maximum autorisée. Arrêter le et appliquer une solution d'eau savonneuse sur les raccords. Vérifier si il y a des bulles d'air. Resserer les raccords aux endroits où il y a des fuites.
	Fuite d'air dans le réservoir d'air.	Le réservoir d'air doit être remplacé. N'essayer pas de réparer le réservoir d'air!
	Valve pilote défectueuse.	Nettoyer ou remplacer.
Pression insuffisante pour faire fonctionner les outils pneumatiques ou les accessoires.	Le régulateur de pression n'est pas réglé sur une assez haute pression ou est défectueux.	Ajuster le régulateur de pression au réglage correct ou remplacer
	Admission d'air obstrué.	Nettoyer ou remplacer le filtre de l'admission d'air.
	Fuites d'air ou obturations.	Vérifier si il y a des fuites et réparer.
	Le tuyau ou les raccords de tuyau sont trop courts ou longs.	Remplacer par des tuyaus ou des raccords plus longs.
	Courroie glissante.	Resserer ou remplacer.
	Le compresseur n'est pas assez grand pour fournir l'air requis.	Vérifier la quantité d'air requise pour l'accessoire. Si elle est plus élevée que le CFM (pi ³ /min) ou que la quantité de pression maximale du compresseur, utiliser un compresseur plus grand.
La valve pilote est obstruée.	Nettoyer ou remplacer.	

DEPANNAGE

SYMPTOME	CAUSE PROBABLE	REMEDE
Fuites d'air de la soupape de décharge de sécurité.	La soupape de décharge de sécurité peut être défectueuse.	Faire fonctionner la soupape de décharge de sécurité manuellement en tirant sur l'anneau. Si elle fuit toujours, elle doit être remplacée.
	Pression excessive dans le réservoir d'air.	Nettoyer, réinitialiser ou remplacer la valve pilote.
Fuites d'air à la pompe.	Joints défectueux.	Couple de serrage des boulons: Etage unique= 17 ft./lbs (23N.m). Double Etage= 33 ft./lbs. (45N.m)
De l'air souffle depuis le filtre d'admission d'air.	Soupape (reed) d'admission défectueuse.	Contactez votre service de clientèle.
Humidité dans l'air évacué.	Condensation dans le réservoir d'air causée par un haut niveau d'humidité dans l'atmosphère ou le compresseur n'est pas en route depuis assez longtemps.	Faire marcher le compresseur pendant un minimum d'une heure pour éviter une accumulation de condensation. Purger le réservoir après chaque utilisation et encore plus souvent quand le temps est humide et se servir d'un filtre à air dans le tuyau.
Consommation d'huile trop élevée ou présence d'huile dans le tuyau.	Filtre d'admission d'air obstrué.	Nettoyer ou remplacer.
	Le compresseur est placé sur une surface inclinée.	Ne pas incliner le compresseur de plus de 10° dans aucune direction pendant le fonctionnement.
	Le carter moteur déborde d'huile.	Vidanger l'huile. Remplir avec de l'huile SAE30W non détersive au bon niveau.
	Viscosité inadéquate.	Vidanger l'huile. Remplir avec de l'huile SAE30W non détersive au bon niveau.
	Conduit du jaugeur d'huile est bouché.	Nettoyer.
	Reniflard du carter moteur bouché.	Nettoyer ou remplacer
	Fuites d'huile	Couple de serrage des boulons: Etage unique= 17 ft./lbs (23Nm). Double Etage= 33 ft./lbs (45Nm).
L'huile semble laiteuse	Segments usés ou cylindre rayé.	Contactez votre service clientèle.
	Présence d'huile dans l'eau due à la condensation	Changer l'huile et mettre le compresseur dans un environnement moins humide.

BON DE GARANTIE

Le fabricant garantit toutes les pièces (à l'exception de celles stipulées ci-dessous) de votre nouveau compresseur d'air en cas de défauts de matériaux et de fabrication pendant les périodes suivantes:

Pendant une (1) année à partir de la date d'achat initiale:

Pompe du compresseur Tuyauterie
Assemblage du réservoir

Pendant six (6) mois à partir de la date d'achat initiale:

Régulateurs Valves Pilotes
Valves Contrôle Changement de pression

Pendant quatre vingt dix (90) jours à partir de la date d'achat initiale:

Manomètres Soupapes de sécurité
Soupapes de vidange

Les pièces défectueuses non sujettes à l'usure normale seront réparées ou remplacées à notre choix pendant la période de garantie. Quoi qu'il arrive, le remboursement est limité au prix d'achat.

EXCLUSIONS

1. Le moteur est couvert sous une garantie séparée par son fabricant respectif et est sujet aux conditions mises en place à cet égard.
2. Usure normale des pièces:
Isolateurs Filtre à air
3. Cette garantie ne couvre pas les pièces endommagées par l'usure normale, des conditions anormales, une application erronée, une mauvaise utilisation, un accident, un fonctionnement autre qu'aux vitesses, pressions et températures recommandées un stockage inapproprié ou des dégâts de transport. Les pièces endommagées ou usées par le fonctionnement dans des environnements poussiéreux ne sont pas garanties. La garantie ne couvre pas les dégâts provoqués par un mauvais suivi des procédures de fonctionnement et d'entretien .
4. Les coûts de main d'oeuvre, pertes ou dommages résultant d'une mauvaise utilisation, l'entretien (autre que la vidange routine du réservoir d'air et les changements d'huile si applicable) ou les réparations faites par des personnes autre qu'un centre de service agréé du fabricant.
5. L'utilisation de toute pièce autre que des pièces de réparation authentiques de votre concessionnaire agréé annulera la garantie. Les pièces renvoyées en port payé, à notre usine ou à un centre de service agréé seront inspectées et remplacées gratuitement si elles sont jugées défectueuses après estimation, et couvertes par la garantie. Le fabricant n'est en aucun cas responsable de la perte d'utilisation de l'appareil, du temps perdu ou de la perte de location de l'appareil, des ennuis, des pertes commerciales ou des dommages indirects. Il n'existe aucune garantie prolongeant les date d'expiration stipulées ci-dessus.

Pour service ou considération de garantie, contacter
Mi-T-M® Corporation, 8650 Enterprise Drive, Peosta, IA 52068
1-877-JD-KLEEN / (1-877-535-5336) Fax 563-556-1235
du lundi au vendredi de 8h00 à 17h00, CST(heure centrale)

NOTE



Free Manuals Download Website

<http://myh66.com>

<http://usermanuals.us>

<http://www.somanuals.com>

<http://www.4manuals.cc>

<http://www.manual-lib.com>

<http://www.404manual.com>

<http://www.luxmanual.com>

<http://aubethermostatmanual.com>

Golf course search by state

<http://golfingnear.com>

Email search by domain

<http://emailbydomain.com>

Auto manuals search

<http://auto.somanuals.com>

TV manuals search

<http://tv.somanuals.com>