

45 LOADER FOR TWO-WHEEL-STEER X700 ULTIMATE™ TRACTORS



FEATURES

- Approved for use on Two-Wheel-Steer X700 Ultimate™ Tractors.
- The 45 Loader Quik-Tatch design, mower compatibility, and ease of operation make it ideal for many residential and light-commercial customers.
- Quik-Tatch design permits almost effortless installation in less than 5 minutes.
- Loader can be operated with mower installed, if desired.
- Suited for many jobs, including moving and spreading yard and driveway materials, loading light and medium-weight material, and snow removal.
- Heavy-duty loader construction resists everyday wear and tear for long life.
- Double-acting hydraulic cylinders provide required down-pressure for excellent digging action.
- Dual hydraulic levers with float position, on tractor, give you fingertip control of the loader.
- Tractor's hydraulic pump powers loader smoothly and evenly.
- Hydrostatic relief valve (included with loader) protects tractor transaxle against harmful pressure peaks.
- Optional frame or 3-point-hitch-mounted ballast box and wheel weights improve stability and increase loader performance.
- Grille guard is standard equipment; protects tractor when loader boom is raised.
- A 48-inch bucket is also standard, provides 5-cubic-foot capacity.
- Ballast box available for adding weight to rear of tractor to improve traction and stability when using loader.
- A worklight kit is available if the loader is to be used after daylight hours.

SPECIFICATIONS

X700, X720, X740 Two-Wheel-Steer Tractors

X728, X748 Four-Wheel-Drive Tractors

Specifications are Based on Tractors with These Tires:

Front	18×8.50-8 4-ply	18×8.50-8 4-ply
Rear	26×12.00-12 2-ply	26×12.00-12 2-ply

Dimensions:

A) Maximum Lift Height to Pivot Pin	73 in. (185 cm)	73 in. (185 cm)
B) Maximum Clearance Under Fully Dumped Bucket	69 in. (175 cm)	69 in. (175 cm)
C) Maximum Clearance Under Fully Dumped Bucket	57 in. (145 cm)	57 in. (145 cm)
D) Reach with Bucket Dumped at 45 deg. at Max Height	23 in. (58 cm)	23 in. (58 cm)
E) Maximum Bucket Dump Angle	45 degrees	45 degrees
F) Reach with Bucket on Ground	44.4 in. (113 cm)	43.3 in. (110 cm)
G) Bucket Rollback Angle on Ground	25 degrees	25 degrees
H) Digging Depth Below Ground Level	4 in. (10 cm)	4 in. (10 cm)
Overall length with frame-mounted ballast box (front edge of bucket flat on the ground)	112.4 in. (285 cm)	112.4 in. (285 cm)

Bucket:

Width	48 in. (122 cm)	48 in. (122 cm)
Capacity (struck)	5.0 cu. ft. (.142 cu. meters)	5.0 cu. ft. (.142 cu. meters)

Hydraulics System:

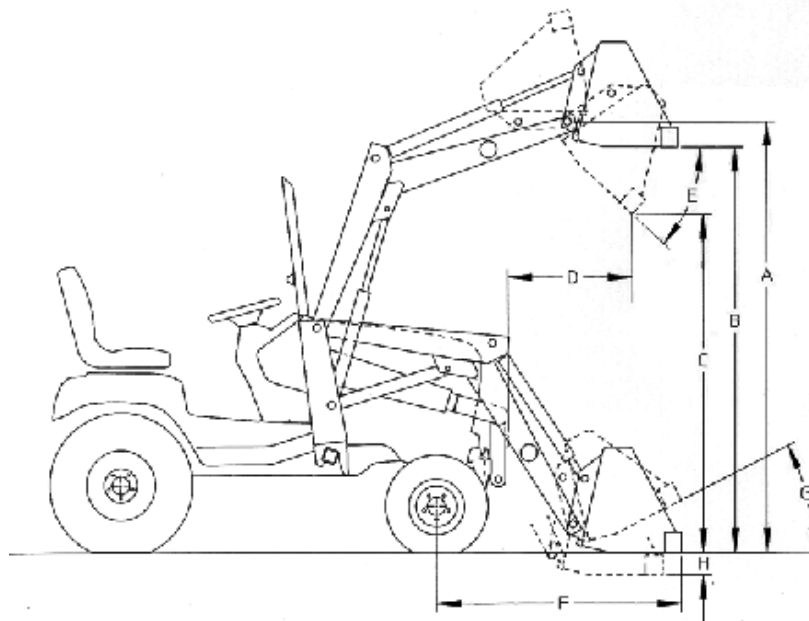
Rated Pressure	1,000 psi	1,000 psi
Lift Cylinder Diameter	1.75 in. (4.4 cm)	1.75 in. (4.4 cm)
Bucket Cylinder Diameter	1.75 in. (4.4 cm)	1.75 in. (4.4 cm)

Weight	515 lb. (234 kg)	515 lb. (234 kg)
---------------------	------------------	------------------

Ballast Requirements (note):

With 26-in. Rear Tires	Minimum of 750 lb. (340 kg) rear ballast (at least 250 lb. (113 kg) of this must be on rear wheels)	Minimum of 750 lb. (340 kg) rear ballast (at least 250 lb. (113 kg) of this must be on rear wheels)
------------------------------	-----------------------------------------------------------------------------------------------------------	-----------------------------------------------------------------------------------------------------------

NOTE: Ballast may be required. See John Deere Price List or Operator's Manual for required ballasting.



Free Manuals Download Website

<http://myh66.com>

<http://usermanuals.us>

<http://www.somanuals.com>

<http://www.4manuals.cc>

<http://www.manual-lib.com>

<http://www.404manual.com>

<http://www.luxmanual.com>

<http://aubethermostatmanual.com>

Golf course search by state

<http://golfingnear.com>

Email search by domain

<http://emailbydomain.com>

Auto manuals search

<http://auto.somanuals.com>

TV manuals search

<http://tv.somanuals.com>