

**JOHN DEERE**

WORLDWIDE COMMERCIAL & CONSUMER  
EQUIPMENT DIVISION

---

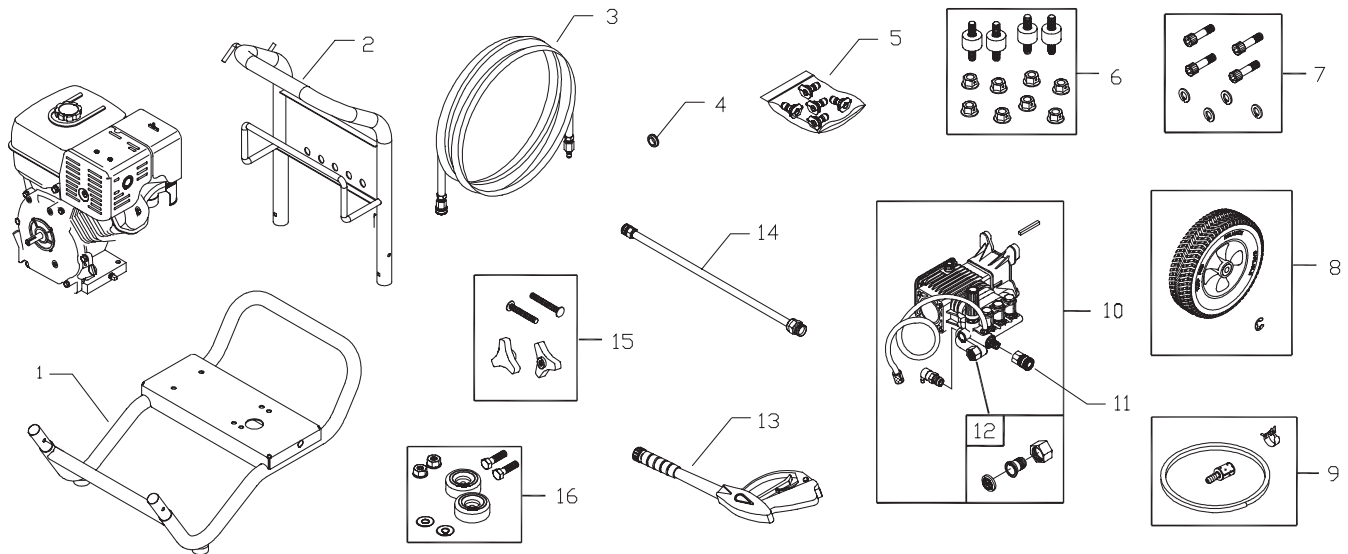
Pressure Washer  
3800  
**Illustrated Parts List**



**JOHN DEERE**

Model No. 020297 (3800 PSI Pressure Washer) Manual No 201982A Revision B (04/11/2007)

# Exploded View and Parts List — Main Unit



Item	Part #	Description
1	W201768GS	BASE
2	W201457GS	HANDLE
3	202016GS	HOSE, 50'
4	30809GS	GROMMET
5	196987GS	KIT, Spray Tips
	195846AGS	Nozzle, QC, Red
	195846BGS	Nozzle, QC, Yellow
	195846CGS	Nozzle, QC, Green
	195846DGS	Nozzle, QC, White
	195851ZZGS	Nozzle, QC, Black
6	195294GS	KIT, Engine Mounting Hardware
7	192132GS	KIT, Pump Mounting Hardware
8	203045GS	KIT, Wheel
	191265GS	E-ring
9	192796GS	KIT, Chemical Hose/Filter
10	203046GS	ASSY, Pump
	194298GS	Thermal Relief
	23139DGS	Key

Item	Part #	Description
11	95458GS	FITTING, Quick Connect
12	199310GS	KIT, Garden Hose Inlet
13	199956GS	GUN
14	193814GS	EXTENSION, QC
15	203040GS	KIT, Handle Fastening
16	192310GS	KIT, Vibration Mount

### Items Not Illustrated:

191267GS	AXLE
201982GS	MANUAL, Operator's, English
202769GS	MANUAL Operator's, Spanish
202488GS	OIL BOTTLE (Qty 2 Required)
87815GS	GOGGLES
203041GS	KIT, Decals, Srv

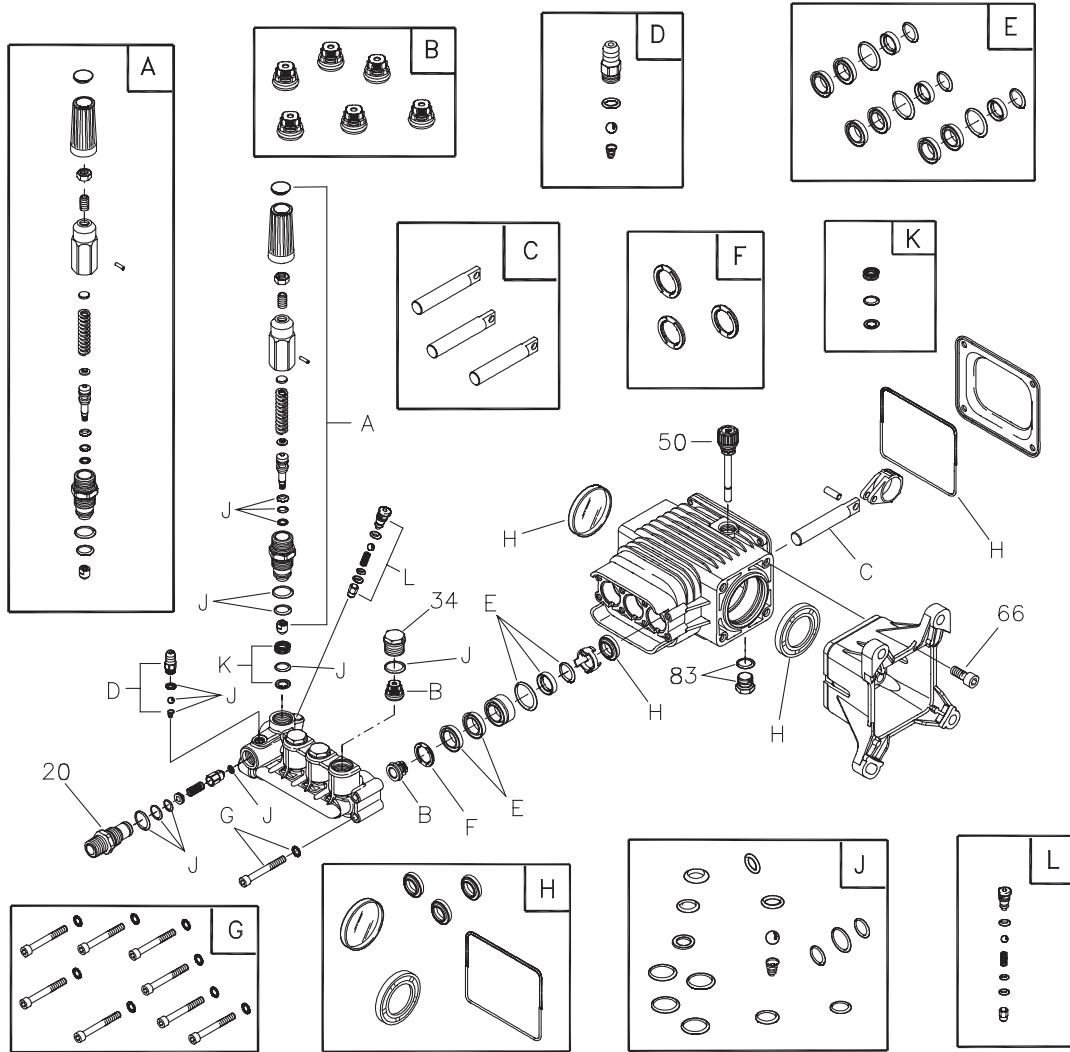
### Optional Accessories

6039	PUMP SAVER
6048	KIT, O-Ring Maintenance

To order service parts or to file a warranty claim for this product, please go to [www.thepowerportal.com](http://www.thepowerportal.com). You will need to have the model and serial number to file a warranty claim.

John Deere® and the leaping deer logo are registered trademarks of Deere & Co. and are used under license to Briggs & Stratton Power Products Group. Copyright © 2007 Briggs & Stratton Power Products Group, LLC. All rights reserved. No part of this material may be reproduced or transmitted in any form by any means without the express written permission of Briggs & Stratton Power Products Group, LLC.

# Exploded View and Parts List — Pump



Item	Part #	Description
20	198851	INJTR, Detergent 3/8NPT
34	198850	PLUG
50	198849	CAP, Oil Dipstick
66	198297	SCREW, M8 x 20
83	203034	KIT, DRAIN PLUG
A	198736	KIT, UNLOADER
B	202799	KIT, VALVES
C	198844	KIT, PISTON
D	192914	KIT, HOSE TAIL
E	198845	KIT, WATER SEALS
F	198848	KIT, SUPPORT RING
G	198852	KIT, PUMP HEAD HARDWARE
H	198846	KIT, OIL SEALS
J	198847	KIT, O-RINGS
K	202902	KIT, SEAT
L	202800	KIT, EZ START

### Parts Not Illustrated

B2384GS	FILTER, Inlet
194298GS	VALVE, Thermal Relief

### Optional Accessories

6039	PUMP SAVER
186452GS	FILTER, Inlet Bag of 10
6033	OIL BOTTLE, Pump

**NOTE:** Item letters A - L are service kits and include all parts shown within the box.

To order service parts or to file a warranty claim for this product, please go to [www.thepowerportal.com](http://www.thepowerportal.com). You will need to have the model and serial number to file a warranty claim.

## Free Manuals Download Website

<http://myh66.com>

<http://usermanuals.us>

<http://www.somanuals.com>

<http://www.4manuals.cc>

<http://www.manual-lib.com>

<http://www.404manual.com>

<http://www.luxmanual.com>

<http://aubethermostatmanual.com>

Golf course search by state

<http://golfingnear.com>

Email search by domain

<http://emailbydomain.com>

Auto manuals search

<http://auto.somanuals.com>

TV manuals search

<http://tv.somanuals.com>