



JOHN DEERE

FORESTRY EQUIPMENT

D

HARVESTERS

770D | 1070D | 1270D | 1470D



Work harder and smarter.

Whether it's thinning or regeneration harvesting, each D-Series Harvester packs a powerful, intelligent punch. With features like a durable, fuel-efficient John Deere engine, a rotating and leveling cab, and the Timbermatic 300 management system with Total Machine Control (TMC™), these nimble workhorses are a smart choice for any application.





The rotating and leveling cab provides operator comfort and increased visibility to the cut.

The John Deere PowerTech™ Plus Tier 3 engine boasts excellent fuel economy with high torque at low rpms.

The field-tested, parallel boom and balanced bogie axles have become industry legends for boosting productivity.

	770D	1070D	1270D	1470D
PowerTech Plus Tier 3 Engine Power Reach (With Harvester Head)	115 gross hp <i>86 kW</i> 25 ft. 11 in. <i>7.9 m</i>	182 gross hp <i>136 kW</i> 32 ft. 10 in. <i>10 m</i> or 28 ft. 3 in. <i>8.6 m</i> optional	215 gross hp <i>160 kW</i> 30 ft. 6 in. <i>9.3 m</i>	241 gross hp <i>180 kW</i> 27 ft. 3 in. <i>8.3 m</i> / 31 ft. 10 in. <i>9.7 m</i> / 35 ft. 1 in. <i>10.7 m</i>
Harvesting Head	745 or H754	745 or H754	H270, H290, 758HD, H480	H270, 758HD, H290, H480
Operating Weight	23,810 lb. <i>10 800 kg</i>	31,306 lb. <i>14 200 kg</i>	38,580 lb. <i>17 500 kg</i>	43,580 lb. <i>19 770 kg</i>
Maximum Tractive Effort	22,481 lbf <i>100 kN</i>	29,225 lbf <i>130 kN</i>	35,970 lbf <i>160 kN</i>	40,466 lbf <i>180 kN</i>
Best Applications Per Model	First thinning applications and for processing trees with small diameters.	Applications where an efficient, versatile harvester is required, from thinning to regeneration harvesting.	Both thinning and regeneration felling.	Best for the most extreme conditions.

Productivity follows wherever you go.

With a D-Series Harvester, you're sure to make the most out of every hour spent in the woods. The boom, head, cab, and overall structure are tough enough to stand up to anything you or nature dishes out. That means big-time mobility and unbeatable productivity in dense stands, final fellings and even steep terrain hillsides.

3

4



1

1 Boom: The fast and accurate parallel boom is easy to control thanks to its logical motion. Four different boom reach lengths are available. These durable booms will reduce service time.

2

2 Rotating and Leveling Cab: The cab offers excellent operator visibility and maximum operator comfort.

3 Engine: John Deere PowerTech Plus Tier 3 engines are the largest of the PowerTech family. They are designed for low emissions, improved engine performance and fuel efficiency across the board.

4 Hydraulics: The efficient hydraulic system makes processing wood easy. The large diameter hoses and piping reduce pressure loss.

5 Rear Axles: Reliable rear axles offer generous ground clearance with high tractive effort for the toughest terrain.

6 Bogie Axles: Industry-exclusive, front-balanced bogie axles provide maximum tractive effort in all terrains as well as high and wide ground clearance.

7 Harvesting Heads: Tested and true harvesting heads are available in two- or four-roller driven, with optional feed rollers and motors available.

6

5



7



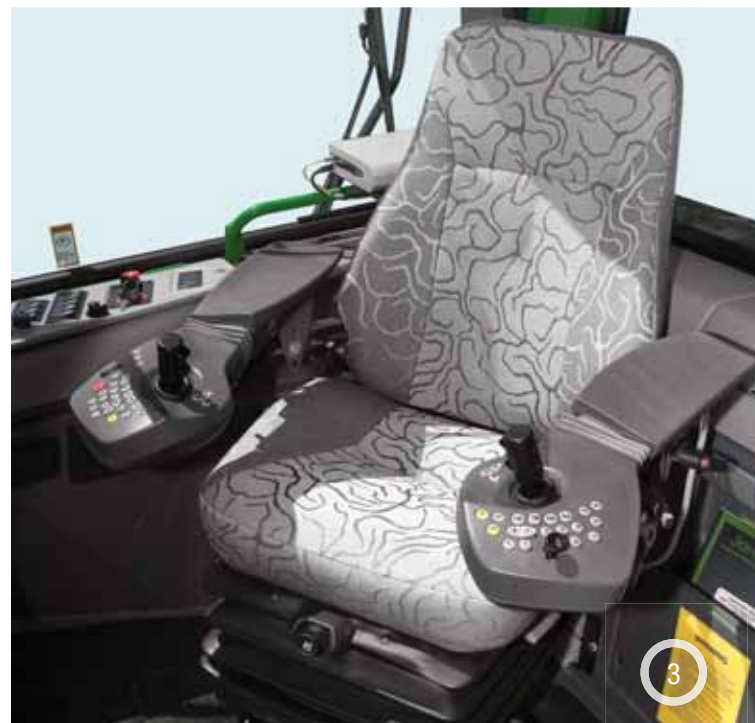
The smartest thing in the forest.

At John Deere we're passionate about operator comfort. Every harvester cab comes with features designed to keep your crew comfortable and productive for long periods. Try out the smartest machine in the woods. And watch your production go up.





- 1 **Measuring and Control System:** Allows the operator to automate the entire tree processing cycle with the touch of a button. Set your log size and length to get the maximum volume and quality out of each and every log.
- 2 **Timbermatic 300 System:** Efficient and easy to use, this system has been designed with the latest forestry company requirements and operators in mind.
- 3 **Comfort:** Efficient air conditioning, sound insulation and fully adjustable seat.
- 4 **Tilt and turn:** The cab can turn by +/- 50 degrees and tilt in all directions either automatically through the Timbermatic 300 system or by manual control.



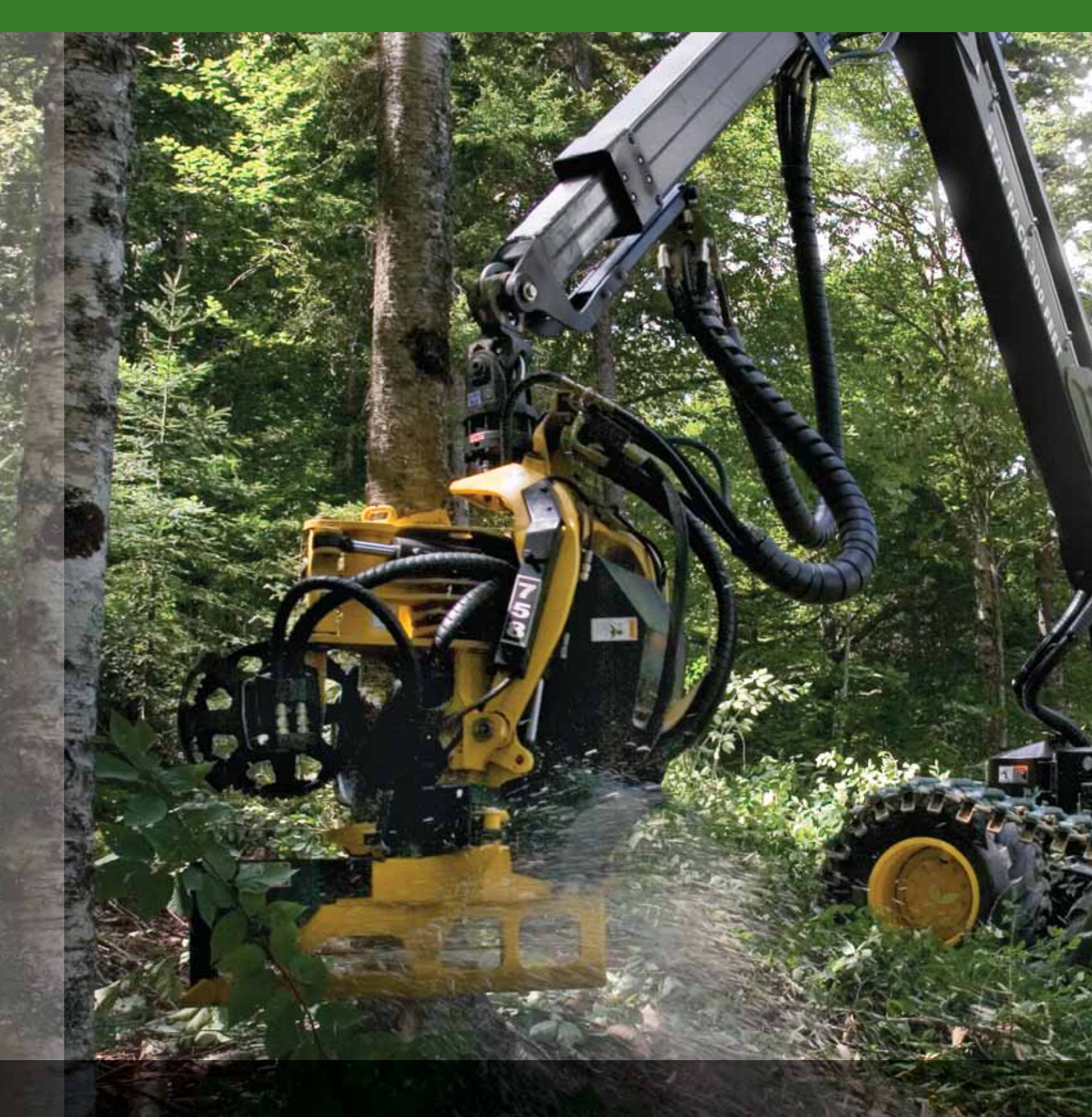
Visibility: Visibility is maximized with large, tinted polycarbonate windows, well-guarded sunlight, and climate-controlled interiors.

Total Machine Control: Industry-leading Total Machine Control system enables the operator to match application, terrain, and capabilities. It automatically adjusts travel speed and braking to ground conditions.

Cab and Boom Sync: When set on automatic control, the turning of the cab follows the turning of the boom at the speed or angle that the operator has programmed into the system. The tilt function of the cab works similarly, following the slopes of the terrain.

Rotating and Leveling Cab: The rotating and leveling cab provides operator comfort and increased visibility to every cut.





A machine that stands up to any stand.

Designed with durability in mind, D-Series Harvesters are built to last in a variety of terrains and working conditions. Each machine houses charge-air-cooled John Deere engines, high-walker axles, which are stronger with more ground clearance, and industry-exclusive, front-balanced bogie axles for maximum tractive effort—no matter the terrain. It's strong components combined in one smart design.



Frame Structure and Middle Joint: Durability is built into the frame structure and the middle joint resulting in a well-balanced unit with a powerful frame brake.

Parallel Boom: The parallel boom is proven to be heads above the competition when it comes to reliability.

Engines: John Deere turbocharged diesel engines are number one in power and high torque-on-demand at low rpms, with Deere reliability and no-surge starts are built in.

Hydraulics: For sawing or at the start of feeding, the power-controlled, load-sensing hydraulics increase oil flow to improve function speeds in peak performance situations and increase the hydraulic system's lifespan.



Easy Safe Maintenance Access: For easy maintenance, the engine hood is comprised of two sections and is operated by an electrical motor for easy access.

John Deere PowerTech™ Engines (cooling and hydraulics):

The Tier 3-certified engines include engine and powertrain management enhancements (Eco III) to improve productivity and fuel economy. The cooling system for the engine and hydraulics remains efficient in any conditions nature can throw at it.

Software: EcoPull optimizes the engine's RPMs with a hydrostatic transmission ratio, so you can run at the right speed at the lowest possible RPMs. EcoPull automatically engages in slow driving in the forest, and can also be engaged during fast driving on level, easy terrain, helping to reduce fuel consumption and lower daily operating costs.



Less expense. More productivity. One smart choice.

Each D-Series Harvester features a super-efficient, Tier 3-certified engine with advanced software features that help you get the most out of every drop of costly fuel. You get the most out of your machine's performance while keeping maintenance at a minimum and uptime at a maximum. Reap the benefits of a smart and productive machine.



Wheeled Harvesters

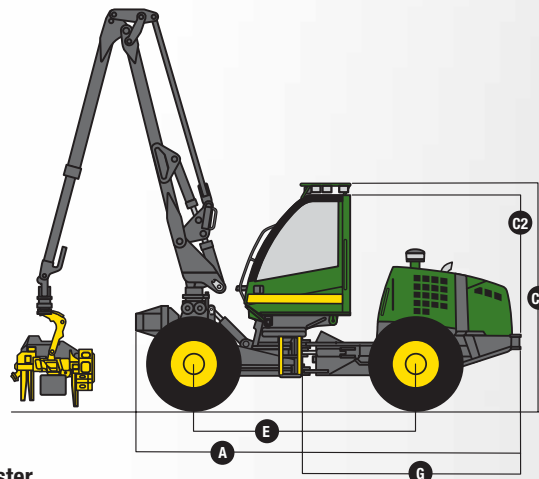
770D, 1070D, 1270D, 1470D

	770D	1070D	1270D	1470D
ENGINE	John Deere 4045HTJ	John Deere 6068HTJ	John Deere 6090HTJ	John Deere 6090HTJ
Cylinders	4	6	6	6
Displacement	275 cu.-in. 4.5 L	414 cu.-in. 6.8 L	552 cu.-in. 9.0 L	552 cu.-in. 9.0 L
Rated power	115 SAE gross hp 86 kW @ 2,000 rpm	182 SAE gross hp 136 kW @ 1,900 rpm	215 SAE gross hp 160 kW @ 1,400–2,000 rpm	241 SAE gross hp 180 kW @ 1,200–2,000 rpm
Maximum net torque	? lb. ft. 498 Nm @ 1,300–1,400 rpm	575 lb. ft. 780 Nm @ 1,400 rpm	811 lb. ft. 1100 Nm @ 1,400 rpm	922 lb. ft. 1250 Nm @ 1,400 rpm
Additional features	Aspiration: turbocharged, air-to-air charge air cooler Engine mount: isolation-mounted diesel with TMC™ Air cleaner: two stage with safety element and dust unloader valve Cooling: heavy-duty radiator, oil-to-water engine cooler			
POWERTRAIN	Hydrostatic-mechanical, two-speed gearbox			
Travel speeds:				
High	0–15.5 mph 0–25 km/h	0–14.9 mph 0–24 km/h	0–15.5 mph 0–25 km/h	0–13.7 mph 0–22 km/h
Low	0–0 mph 0–8 km/h	0–4.3 mph 0–7 km/h	0–5 mph 0–8 km/h	0–5 mph 0–8 km/h
Maximum tractive effort	22,480 lb. ft. 100 kN	29,225 lb. ft. 130 kN	35,969 lb. ft. 160 kN	40,466 lb. ft. 180 kN
ELECTRICAL				
Standard features	Type: 24 volt Alternator: 140 amp Batteries: dual, heavy duty, low maintenance Work lights: 14 twin power and 4 single lamps on the boom; 30 lux in the working area of the boom; Xenon lights also available			
AXLES	Hydro-mechanical differential lock at the front and the rear			
Front	Rigid	Balanced gear bogie	Balanced gear bogie	Balanced gear bogie
Rear	Rigid	Rigid	Rigid	Rigid
BRAKES				
Standard features	Service and working: hydraulically actuated, oil-immersed multi-disc brakes Parking and emergency: spring-actuated Frame articulation brake: automatic			
STEERING	Articulated frame steering with two hydraulic cylinders			
Frame articulation (stop to stop)	±40 degrees	±40 degrees	±42 degrees	±42 degrees
Lever steering	Proportional, electrical mini-joystick over hydraulics, armrest mounted			
HYDRAULIC SYSTEM	Load-sensing, pressure compensated			
Working hydraulics	Variable-displacement pump			
Rated flow @ 1,600 rpm	55 gpm 208 L/min	61.3 gpm 232 L/min	80 gpm 304 L/min	88.8 gpm 336 L/min
Pressure	3,480 psi 24 MPa	3,480 psi 24 MPa 4,060 psi 28 MPa	3,480 psi 24 MPa 4,060 psi 28 MPa	3,480 psi 24 MPa 4,060 psi 28 MPa
Powertrain hydraulics	Variable-displacement pump/motor			
Rated flow @ 1,600 rpm	30 gpm 114 L/min	42.3 gpm 144 L/min	52.8 gpm 200 L/min	52.8 gpm 200 L/min

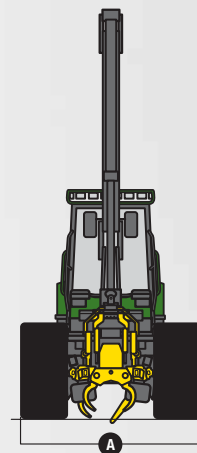
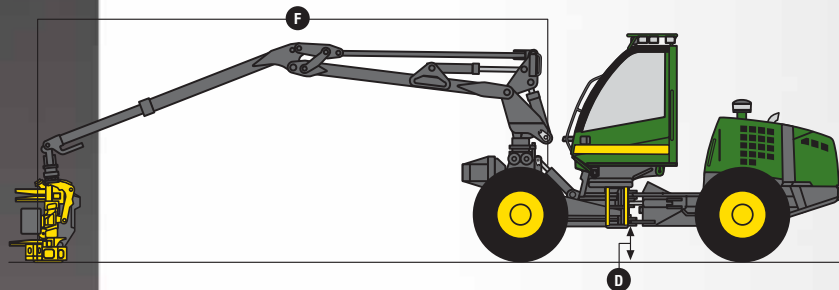
DIMENSIONS

770D

A Length	19 ft. 4 in. 5.9 m
B Width	
650 x 26.5 tires	7 ft. 10 in. 2.40 m
600 x 34 tires	8 ft. 0 in. 2.45 m
700 x 34 tires	8 ft. 8 in. 2.63 m
C1 Transport height with fixed cab	11 ft. 10 in. 3.62 m
C2 With side-leveling cab option	12 ft. 1 in. 3.69 m
D Ground clearance	22.4 in. 57 cm
E Wheelbase	11 ft. 6 in. 3.50 m
F Reach (with harvester head)	25 ft. 11 in. 7.9 m
G Rear section	11 ft. 2 in. 3.4 m



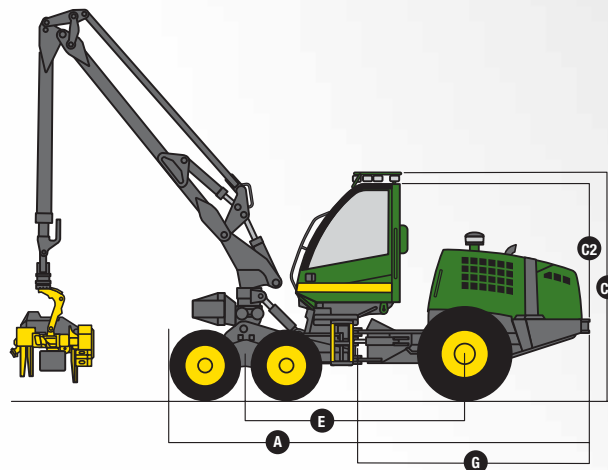
770D Wheeled Harvester



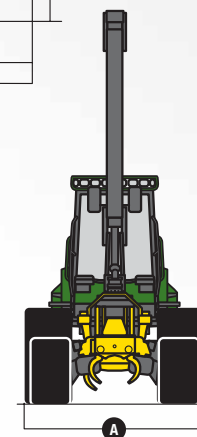
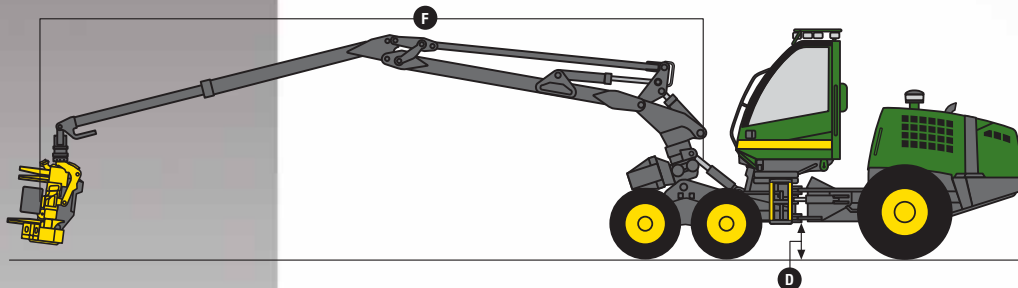
DIMENSIONS

1070D

A Length	22 ft. 2 in. 6.75 m
B Width (front)	
600 x 26.5 tires	8 ft. 4 in. 2.53 m
710 x 26.5 tires	8 ft. 9 in. 2.68 m
Width (rear)	
650 x 26.5 tires	8 ft. 7 in. 2.62 m
750 x 26.5 tires	8 ft. 10 in. 2.70 m
C1 Transport height with fixed cab	11 ft. 10 in. 3.62 m
C2 With side-leveling cab option	12 ft. 1 in. 3.69 m
D Ground clearance	22.6 in. 57.5 cm
E Wheelbase	11 ft. 6 in. 3.5 m
F Reach (with harvester head)	32 ft. 10 in. 10 m
Optional	28 ft. 3 in. 8.6 m
G Rear section	12 ft. 5 in. 3.77 m



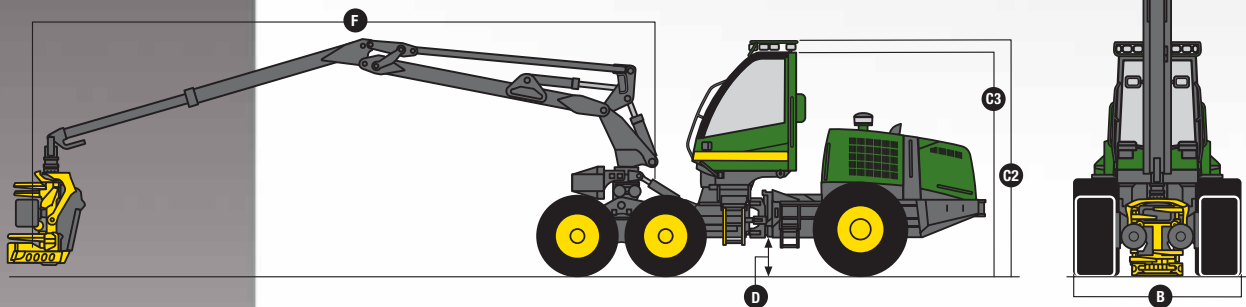
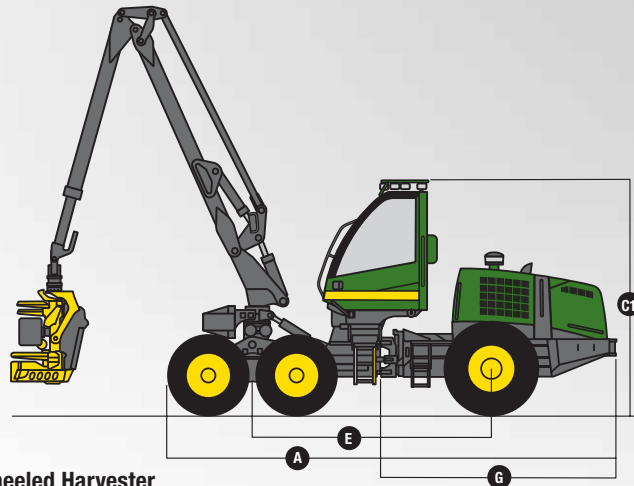
1070D Wheeled Harvester



Machine not exactly as shown. Illustrations for dimensioning purposes only.

DIMENSIONS

	1270D	1470D
A Length	24 ft. 10 in. <i>7.58 m</i>	25 ft. 4 in. <i>7.72 m</i>
B Width (front)		
600 x 26.5 tires	9 ft. 1 in. <i>2.77 m</i>	N/A
710 x 26.5 tires	9 ft. 8 in. <i>2.96 m</i>	N/A
650 x 26.5 tires	N/A	9 ft. 10 in. <i>3.0 m</i>
750 x 26.5 tires	N/A	10 ft. 0 in. <i>3.05 m</i>
(optional) 750 x 26.5 tires	N/A	9 ft. 10 in. <i>2.99 m</i> / 10 ft. 5 in. <i>3.17 m</i>
Width (rear)		
600 x 34 tires	8 ft. 9 in. <i>2.68 m</i>	N/A
700 x 34 tires	9 ft. 5 in. <i>2.86 m</i>	9 ft. 8 in. <i>2.96 m</i>
C1 Transport height with fixed cab	12 ft. 2 in. <i>3.70 m</i>	12 ft. 6 in. <i>3.8 m</i>
C2 With rotating/leveling cab option	12 ft. 8 in. <i>3.85 m</i>	13 ft. 0 in. <i>3.95 m</i>
C3 With rotating/leveling cab option in raked back position	12 ft. 3 in. <i>3.74 m</i>	12 ft. 8 in. <i>3.85 m</i>
D Ground clearance	24.6 in. <i>62.5 cm</i>	27.9 in. <i>71 cm</i>
E Wheelbase	13 ft. 3 in. <i>4.05 m</i>	13 ft. 3 in. <i>4.05 m</i>
F Reach (with harvester head)	30 ft. 6 in. <i>9.3 m</i>	28 ft. 3 in. <i>8.6 m</i>
Optional	32 ft. 10 in. <i>10.0 m</i>	32 ft. 10 in. <i>10.0 m</i> / 36 ft. 1 in. <i>11.0 m</i>
G Rear section	12 ft. 10 in. <i>3.9 m</i>	12 ft. 10 in. <i>3.9 m</i>



Machine not exactly as shown. Illustrations for dimensioning purposes only.

	770D	1070D	1270D	1470D
BOOM	140H	180S	210H	CH8
Gross lifting torque	70 lb. ft. <i>95 kN</i>	105,471 lb. ft. <i>143 kNm</i>	131,285 lb. ft. <i>178 kNm</i>	154,888 lb. ft. <i>210 kNm</i>
Gross swing torque	17,700 lb. ft. <i>24 kN</i>	28,027 lb. ft. <i>38 kNm</i>	32,160 lb. ft. <i>43.6 kNm</i>	40,566 lb. ft. <i>55 kNm</i>
Maximum reach (without harvester head)	24 ft. 11 in. <i>7.6 m</i>	31 ft. 10 in. <i>9.7 m</i>	29 ft. 6 in. <i>9.0 m</i>	27 ft. 3 in. <i>8.3 m</i>
Optional	N/A	27 ft. 3 in. <i>8.3 m</i>	31 ft. 10 in. <i>9.7 m</i>	31 ft. 10 in. <i>9.7 m</i>
Tilt boom base	±15 deg.	-13/+18 deg.	-13/+25 deg.	-13/+25 deg.
Swing angle	220 deg.	220 deg.	220 deg.	220 deg.
Rotator	AV 12S	AV 12S	BBR 15 HD	BBR 15 HD
Optional		BBR 15 HD, H172	H172	BBR 16 HD, H172
Link	double dampened	double dampened	double dampened	double dampened
Optional		dual dampened MPB2-1, MPB2-2	dual dampened MPB2-1, MPB2-2	dual dampened MPB2-1, MPB2-2
Additional features	Dedicated boom lubrication system Guarding for boom hydraulic valve			

770D / 1070D

745 Harvester Head 4WD

H754 Harvester Head 4WD

Maximum cutting diameter	24.4 in. <i>62 cm</i>	24.4 in. <i>62 cm</i>
Weight from (excludes rotator and link, depending on equipment)	1,720 lb. <i>780 kg</i>	1,809 lb. <i>820 kg</i>
Feed motors (4):	Max feed force / speed	Max feed force / speed
Standard	4,429 lb. ft. <i>19.7 kN</i> / 18.7 ft./sec. <i>5.7 m/sec</i>	4,968 lb. ft. <i>22.1 kN</i> / 18.7 ft./sec. <i>5.7 m/sec</i>
Optional	5,598 lb. ft. <i>24.9 kN</i> / 15.1 ft./sec. <i>4.6 m/sec</i>	6,250 lb. ft. <i>27.8 kN</i> / 15.1 ft./sec. <i>4.6 m/sec</i>
Feed rollers (4) synchronized:	Steel thumb-type	Steel thumb-type
Fixed (2)	Steel thumb-type	Steel thumb-type
Movable (2)	Accumulator arms and rollers for multi-tree handling, debarking rollers	N/A
Optional		
Delimiting knives	Three moving (2 upper, 1 lower), hydraulically operated, one fixed top knife	Four moving (2 upper, 2 lower), hydraulically operated, one fixed top knife and one welded bottom knife
Maximum reach	745 Head 32 ft. 10 in. <i>10.0 m</i>	745 Head 32 ft. 10 in. <i>10.0 m</i>
Additional features	Automatic chain tensioner and lubrication system	Automatic chain tensioner and lubrication system

1270D / 1470D**H270 Harvester
Head 2WD****758HD Harvester
Head 4WD****H290 Harvester
Head 2WD****H480 Harvester
Head 4WD**

Maximum cutting diameter	25.6 in. <i>65 cm</i>	28.3 in. <i>72 cm</i>	29.5 in. <i>75 cm</i>	28.3 in. <i>72 cm</i>
Weight from (excludes rotator and link)	2,888 lb. <i>1310 kg</i>	2,513 lb. <i>1140 kg</i>	4,079 lb. <i>1850 kg</i>	2,645 lb. <i>1200 kg</i>
Feed motors (2):	Max feed force / speed	Max feed force / speed	Max feed force / speed	Max feed force / speed
Standard	5,265 lb. ft. <i>23.4 kN /</i> 14.8 ft./sec. <i>4.5 m/sec</i>	N/A	8,385 lb. ft. <i>37.3 kN /</i> 19.7 ft./sec. <i>6.0 m/sec</i>	N/A
Optional	5,783 lb. ft. <i>25.7 kN /</i> 14.0 ft./sec. <i>4.3 m/sec</i>	N/A	9,352 lb. ft. <i>41.6 kN /</i> 19.7 ft./sec. <i>6.0 m/sec</i>	N/A
Optional	6,300 lb. ft. <i>28.0 kN /</i> 13.1 ft./sec. <i>4.0 m/sec</i>	N/A	N/A	N/A
Feed motors (4):				
Standard	N/A	5,328 lb. ft. <i>23.7 kN /</i> 15.4 ft./sec. <i>4.7 m/sec</i>	N/A	5,328 lb. ft. <i>23.7 kN /</i> 15.4 ft./sec. <i>4.7 m/sec</i>
Optional	N/A	6,789 lb. ft. <i>30.2 kN /</i> 13.8 ft./sec. <i>4.2 m/sec</i>	N/A	6,789 lb. ft. <i>30.2 kN /</i> 13.8 ft./sec. <i>4.2 m/sec</i>
Feed rollers (2):				
Standard	Rubber, with chains or	N/A	Mense steel thumb-type	N/A
Optional	Steel thumb-type	N/A	Steel thumb-type	N/A
Feed rollers (4) synchronized:				
Fixed (2)	N/A	Steel thumb-type	N/A	Steel thumb-type
Movable (2)	N/A	Steel thumb-type	N/A	Steel thumb-type
Optional	N/A	Accumulator arms and rollers for multi-tree handling	N/A	Accumulator arms and rollers for multi-tree handling
Maximum reach	H270 Head 32 ft. 10 in. <i>10.0 m</i>	758 Head 32 ft. 10 in. <i>10.0 m</i>	H290 Head 27 ft. 3 in. <i>8.3 m</i>	H480 Head 32 ft. 10 in. <i>10.0 m</i>



JOHN DEERE

John Deere is the world's leading designer,
manufacturer, and distributor of forest machines.

Our range of purpose-built forestry equipment
is without equal in the industry.

From thinning to regeneration harvesting,
for both cut-to-length and full-tree applications,
John Deere builds woods-tough equipment
with the logger in mind.



Free Manuals Download Website

<http://myh66.com>

<http://usermanuals.us>

<http://www.somanuals.com>

<http://www.4manuals.cc>

<http://www.manual-lib.com>

<http://www.404manual.com>

<http://www.luxmanual.com>

<http://aubethermostatmanual.com>

Golf course search by state

<http://golfingnear.com>

Email search by domain

<http://emailbydomain.com>

Auto manuals search

<http://auto.somanuals.com>

TV manuals search

<http://tv.somanuals.com>