

# AC-9 WET/DRY VACS



**JOHN DEERE**

**OPERATOR'S  
MANUAL**



**CAUTION**

**RISK OF INJURY!**

**READ MANUAL BEFORE OPERATING!**

**This manual is an important part of the Wet/Dry Vac and must remain with the unit when you sell or rent it!**

# TABLE OF CONTENTS

<b>INTRODUCTION</b> .....	<b>3</b>
<b>IMPORTANT SAFETY WARNINGS</b> .....	<b>4-5</b>
RISK OF ELECTRIC SHOCK OR ELECTROCUTION .....	4
RISK OF EXPLOSION OR FIRE .....	5
RISK OF BODILY INJURY .....	5
<b>FEATURES</b> .....	<b>6</b>
<b>INSTALLATION &amp; PREPARATION</b> .....	<b>7</b>
START-UP.....	7
GROUNDING INSTRUCTIONS.....	8
<b>OPERATING INSTRUCTIONS</b> .....	<b>9</b>
OPERATION .....	9
SHUTDOWN.....	9
<b>TROUBLESHOOTING</b> .....	<b>10</b>
<b>SPECIFICATIONS</b> .....	<b>10</b>
<b>STATEMENT OF WARRANTY</b> .....	<b>11</b>
<b>PARTS LIST</b> .....	<b>12-16</b>
ASSEMBLY FOR AC-9 .....	12
VACUUM POWER HEAD ASSEMBLY (3-0239).....	14
WIRING DIAGRAM.....	16
<b>NOTES</b> .....	<b>17</b>
<b>FRENCH</b> .....	<b>18-35</b>

## **WARNING**

This product contains one or more chemicals known to the State of California to cause cancer and birth defects or other reproductive harm.

## INTRODUCTION

Congratulations on the purchase of your new commercial John Deere Wet/Dry Vac! You can be assured your John Deere Wet/Dry Vac was constructed and designed with quality and performance in mind. Each component has been rigorously tested to ensure the highest level of acceptance.

This operator's manual was compiled for your benefit. By reading and following the simple safety, installation, operation, maintenance and troubleshooting steps described in this manual, you will receive years of trouble free operation from your new John Deere Wet/Dry Vac. The contents of this manual are based on the latest product information available at the time of publication. The manufacturer reserves the right to make changes in price, color, materials, equipment, specifications or models at any time without notice.

### ! IMPORTANT !

The following "Signal Words" are used throughout this manual to designate the degree or level of hazard seriousness.

**DANGER:** Indicates an imminently hazardous situation which, if not avoided, WILL result in death or serious injury.

**WARNING:** Indicates a potentially hazardous situation which, if not avoided, COULD result in death or serious injury.

**CAUTION:** Indicates a potentially hazardous situation which, if not avoided MAY result in minor or moderate injury.



The symbol set to the left of this paragraph is a "Safety Alert Symbol". This symbol is used to call attention to items or procedures that could be dangerous to you or other persons using this equipment.



**ALWAYS PROVIDE A COPY OF THIS MANUAL TO ANYONE USING THIS EQUIPMENT. READ ALL INSTRUCTIONS BEFORE OPERATING THIS WET/DRY VAC AND ESPECIALLY POINT OUT THE "SAFETY WARNINGS" TO PREVENT THE POSSIBILITY OF PERSONAL INJURY TO THE OPERATOR.**



Once the unit has been removed from the box, immediately write in the serial number of your unit in the space provided below.

**SERIAL NUMBER** \_\_\_\_\_

Inspect for signs of obvious or concealed freight damage. If damage does exist, file a claim with the transportation company immediately. Be sure that all damaged parts are replaced and that the mechanical and electrical problems are corrected prior to operation of the unit. If you require service, contact your Customer Service.

Mi-T-M® Corporation, 8650 Enterprise Drive, Peosta, IA 52068  
1-877-JD-KLEEN / (1-877-535-5336) Fax 563-556-1235  
Monday - Friday 8:00 a.m. - 5:00 p.m. CST

Please have the following information available for all service calls:


1. Model Number
2. Serial Number
3. Date and Place of Purchase



# SAFETY WARNINGS



**WARNING:** When using this product, basic precautions should always be observed, including the following:  
**READ ALL SAFETY INSTRUCTIONS BEFORE USING WET/DRY VAC**

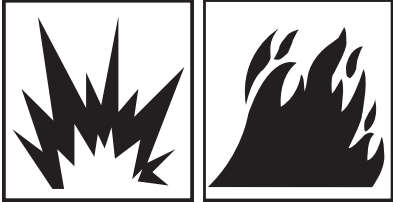

HAZARD	POTENTIAL CONSEQUENCE	PREVENTION
<p data-bbox="180 254 418 405"><b>RISK OF ELECTRIC SHOCK OR ELECTROCUTION</b></p> 	<p data-bbox="500 254 911 436">Serious injury or death could occur if the Wet/Dry Vac is not properly grounded. Your Wet/Dry Vac is powered by electricity and may cause electric shock or electrocution if not used properly.</p> <p data-bbox="500 646 906 709">Electrical shock may occur from electrical cord.</p> <p data-bbox="492 1339 919 1434">Serious injury or death may occur if electrical repairs are attempted by unqualified persons.</p>	<p data-bbox="938 254 1484 338">This product must be grounded. Connect to a properly grounded outlet only. See "Grounding Instructions".</p> <p data-bbox="938 352 1484 499">Always be certain the unit is receiving proper voltage. Before plugging the unit into a compatible power source, be certain the switch is in the "OFF" position. Disconnect when not in use.</p> <p data-bbox="938 514 1484 636">Do not modify plug provided with the product. If it will not fit the outlet, have a proper outlet installed by a qualified electrician. Do not remove the plug or use any type of adapter.</p> <p data-bbox="938 651 1484 735">Do not expose the Wet/Dry Vac to rain or submerge in water. Do not use pressurized water to clean the Wet/Dry Vac. Store indoors.</p> <p data-bbox="938 749 1484 833">Check power cord for signs of crushing, cutting or heat damage. If replacement of plug or cord is needed, use only identical replacement parts.</p> <p data-bbox="938 848 1484 932">If Wet/Dry Vac is not working correctly, has been dropped, damaged, left outdoors, or dropped into water, return it to a service center.</p> <p data-bbox="938 947 1484 1094">Keep all connections dry and off the ground. Do not allow electrical cords to lay in water or in such a position where water could come in contact with them. Do not handle plug or Wet/Dry Vac with wet hands.</p> <p data-bbox="938 1108 1484 1255">Do not pull or carry the unit by the electrical cord. Do not use the cord as a handle, close a door on cord, or pull cord around sharp edges or corners. Do not run Wet/Dry Vac over cord. Keep cord away from heated surfaces.</p> <p data-bbox="938 1270 1484 1354">Turn off all controls before unplugging the unit from the outlet. Do not unplug by pulling on cord. To unplug, grasp the plug, not the cord.</p> <p data-bbox="938 1369 1484 1642">Use only extension cords having an electrical rating not less than the rating of the product. Do not use damaged extension cords. Examine extension cord before using and replace if damaged. Keep cord away from heat and sharp edges. Always connect and disconnect the extension cord from the receptacle before connecting and disconnecting the product from the extension cord.</p> <p data-bbox="938 1656 1484 1778">Any electrical wiring or repairs performed on this Wet/Dry Vac should be done by Authorized Service Personnel in accordance with National and Local electrical codes.</p> <p data-bbox="938 1793 1484 1940">Before opening any electrical enclosure, always shut off the Wet/Dry Vac and unplug the Wet/Dry Vac from the power source. Allow the Wet/Dry Vac to cool down. Service in a clean, dry, flat area.</p>



# SAFETY WARNINGS

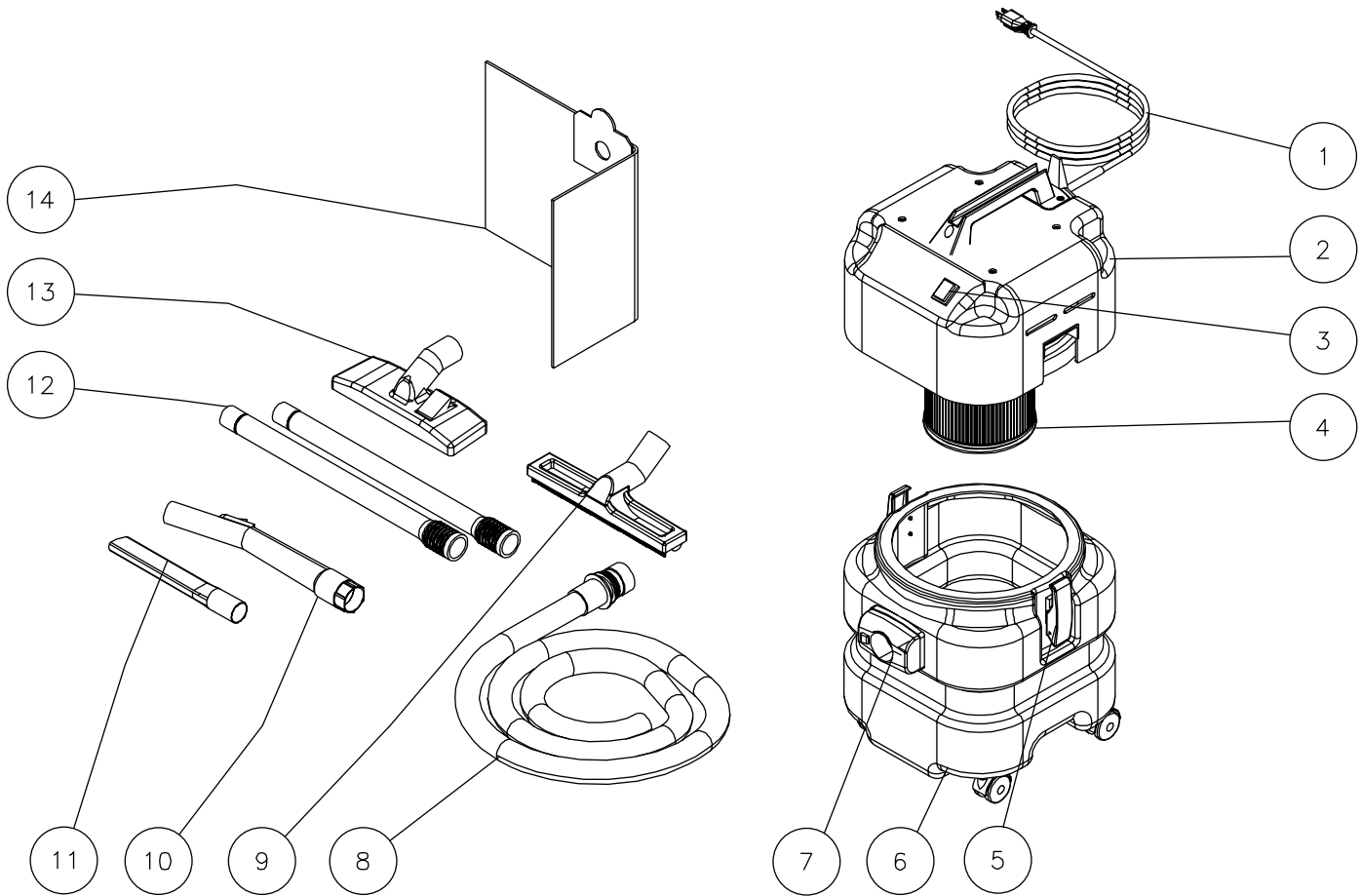
READ ALL SAFETY INSTRUCTIONS BEFORE USING WET/DRY VAC



HAZARD	POTENTIAL CONSEQUENCE	PREVENTION
<p data-bbox="212 237 483 302"><b>RISK OF EXPLOSION OR FIRE</b></p> 	<p data-bbox="558 237 971 294">Serious injury or death may occur from normal sparks in the motor.</p> <p data-bbox="558 338 971 428">Serious injury or death may occur from absorption of flammable materials.</p> <p data-bbox="558 443 971 499">Injury may occur from unit overheating.</p>	<p data-bbox="997 237 1528 327">Always operate Wet/Dry Vac in a well ventilated area free of flammable vapors, combustible dust, gases or other combustible materials.</p> <p data-bbox="997 338 1528 428">Do not pick up any flammable materials such as gasoline or anything that is burning or smoking such as cigarettes, ashes, etc.</p> <p data-bbox="997 443 1528 533">Always unroll the Power Cord before operating. Using a rolled-up power cord could result in low voltage or overheating.</p> <p data-bbox="997 548 1442 575">Do not use without dust filter in place.</p>
<p data-bbox="188 600 505 627"><b>RISK OF BODILY INJURY</b></p> 	<p data-bbox="558 600 971 657">Injury may occur from the Wet/Dry Vac.</p>	<p data-bbox="997 600 1528 657">Keep the suction nozzle away from the body, especially the eyes, ears, nose and mouth.</p> <p data-bbox="997 672 1528 728">Do not use this unit to pickup endangering dusts or substances.</p> <p data-bbox="997 743 1528 833">Stay alert-watch what you are doing. Do not operate the unit when fatigued or under the influence of alcohol or drugs.</p> <p data-bbox="997 848 1528 938">Wet surfaces can be slippery, wear protective foot gear and keep good footing and balance at all times.</p> <p data-bbox="997 953 1528 1043">Direct supervision is necessary when children operate this Wet/Dry Vac. Do not allow to be used as a toy.</p> <p data-bbox="997 1058 1528 1148">DONOT leave operating unit unattended. Shut off the Wet/Dry Vac and disconnect from the power source before leaving.</p> <p data-bbox="997 1163 1528 1220">Know how to stop the Wet/Dry Vac. Be thoroughly familiar with controls.</p> <p data-bbox="997 1234 1528 1358">Before servicing the unit: turn the unit off and allow the unit to cool down. Service in clean, dry, flat area. Block the wheels to prevent the unit from moving.</p> <p data-bbox="997 1373 1528 1589">Use of this machine for anything not specified in this manual may be dangerous and must be avoided. The manufacturer cannot be held responsible for any damage/injury caused to persons or property because of the incorrect use of the machine due to procedures being used which are not specified in this manual.</p> <p data-bbox="997 1604 1528 1694">Do not put any object into openings. Do not use with any opening blocked; keep free of dust, lint, hair, and anything that may reduce air flow.</p> <p data-bbox="997 1709 1528 1766">Keep hair, loose clothing, fingers, and all parts of body away from openings.</p> <p data-bbox="997 1780 1528 1837">Use only as described in this manual. Use only manufacturer's recommended attachments.</p> <p data-bbox="997 1852 1458 1879">Use extra care when cleaning on stairs.</p>

**! SAVE THESE INSTRUCTIONS !**

## WET/DRY VAC FEATURES



### FEATURES LISTING


1. 25' Power Cord
2. Vacuum Power Head Assembly
3. On/Off Switch
4. Filter
5. Latch
6. Bottom Canister
7. Vacuum Inlet
8. Suction Hose w/ Inlet Cuff
9. Squeegee Tool- 12"
10. Curved Plastic Wand
11. Crevice Tool
12. Aluminum/Plastic Wand
13. Combo Floor Tool- 12"
14. Paper Bag

## INSTALLATION & PREPARATION



**WARNING**

**RISK OF FIRE!**  
Where flammable gas vapors may be present. An electrical spark from the motor may cause a fire.



**WARNING**

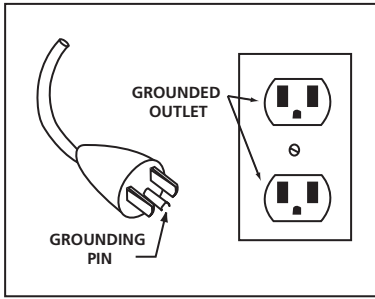
**RISK OF ELECTRIC SHOCK!**  
Where the unit may be exposed to rain, snow or immersed in water. Water may infiltrate the electrical system causing an electrical hazard.


### START-UP:

1. Proper attire is essential to your safety. It is advised to utilize whatever means necessary to protect eyes, ears, and skin.
2. Remove the Canister Lid by releasing the Side Latches.
  - a. Inspect the Wet/Dry Filter to ensure it is free of obstructions. Clean or replace if necessary.
  - b. Inspect the Canister to ensure it is empty and free of obstructions.
  - c. If repairs are needed, contact your Authorized Service Center and replace with only genuine manufacturer replacement parts.
3. Filter bags are not necessary with your John Deere Wet/Dry Vac. If desired, you may attach a Paper Filter Bag (supplied with the unit) onto the Suction Intake of the Canister for collection and immediate disposal of dry debris. **Be certain the paper filter bag is removed for wet pickup.** Ensure all materials are disposed of according to State and Federal EPA Standards.
4. Replace the Canister Lid and securely tighten the Side Latches.
5. Securely insert the larger end of the Flexible Hose sleeve into the Suction Intake.
6. Connect the Extension Wand onto the Flexible Hose.
7. Connect the Wet/Dry Floor Tool onto the Extension Wand.
8. Ensure electrical supply is identical to the specifications listed on your Wet/Dry Vac Data Plate.
9. Ensure the On/Off Switch is in the "OFF" position.
10. Insert the grounded plug of the Power Cord into a grounded receptacle.

## INSTALLATION & PREPARATION


FIG. A



 **WARNING**


**RISK OF ELECTRIC SHOCK!**

Improper connection of the equipment-grounding conductor can result in a risk of electric shock.

 **WARNING**

**RISK OF ELECTROCUTION!**

If use of an extension cord is required, use only extension cords having an electrical rating not less than the rating of the product. Do not use damaged extension cords.

 **CAUTION**

**RISK OF FIRE!**

A wound-up power cord may result in low voltage and possible overheating causing a fire.

### GROUNDING INSTRUCTIONS:

1. This Wet/Dry Vac must be grounded. If it should malfunction or break down, grounding provides a path of least resistance for electric current to reduce the risk of electric shock. This Wet/Dry Vac is equipped with a cord having an equipment-grounding conductor and grounding plug. The plug must be inserted into an appropriate outlet that is properly installed and grounded in accordance with all local codes and ordinances.

Check with a qualified electrician or service person if you are in doubt as to whether the outlet is properly grounded. Do not modify the plug provided with the appliance- if it will not fit the outlet, have a proper outlet installed by a qualified electrician.

2. This Wet/Dry Vac is for use on a nominal 120-volt circuit and has a grounding attachment plug (See Fig. A). Make sure that the Wet/Dry Vac is connected to an outlet having the same configuration as the plug. No adapter should be used with this Wet/Dry Vac.

3. Unroll the Power Cord before plugging it into a grounded outlet.

**NOTE:** The Wet/Dry Vac is supplied with a Tank Drain, be sure the Drain Cap is covering the Tank Drain opening before starting the unit. The Wet/Dry Vac will not operate properly with the Tank Drain open.



## OPERATING INSTRUCTIONS

### OPERATION:

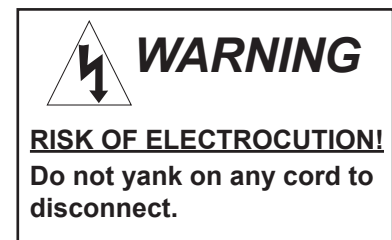
1. Please observe the following precautions while using the Wet/Dry Vac.
  - a. Do not place any object in the Wet/Dry Vac openings. Ensure all openings remain unobstructed and free of lint, hair, dust or anything which may reduce air flow.
  - b. Aggressive solvents or detergents should not be used. DO NOT operate the unit if you see any foam/liquid leaking from the machine. DO NOT resume operation until the unit has been inspected and repaired by a qualified service person.
  - c. If the equipment should overturn, it is recommended that the Wet/Dry Vac be placed upright before turning it off.
2. While holding the Flexible Hose, move the On/Off Switch to the "ON" position.
3. Move the Wet/Dry Floor Tool slowly across the surface you wish to clean.
4. Wet Pickup Application:
  - a. As the Canister fills, the float will begin to rise. The function of the float is to stop suction when the tank is full or if the Wet/Dry Vac should accidentally overturn. When the Canister is full, turn the On/Off Switch to the "OFF" position and disconnect the Power Cord from the receptacle.
  - b. Remove the Canister Lid and empty any debris from the Canister.
5. Dry Pickup Application:
  - a. If using a paper filter bag, remove and replace with a new paper filter bag.
  - b. If not using a paper filter bag, tilt the Wet/Dry Vac to empty the Canister.

**NOTE:** Ensure all materials are disposed of according to State and Federal EPA Standards.

6. Replace the Canister Lid and plug the Power Cord back into the grounded outlet.
7. Turn the On/Off Switch to "ON" to resume operation.

### SHUTDOWN:

1. When cleaning application is completed, turn the On/Off Switch to the "OFF" position.
2. Disconnect the Power Cord from the receptacle.
3. Roll up the disconnected Power Cord and place it on the designated area of the Wet/Dry Vac.
4. Remove the Canister Lid and empty the Canister.
5. Rinse the Canister and allow to air dry.
6. Pull the Wet/Dry Filter off of the Canister Lid.
  - a. Wet-Filter Cleaning: Rinse with warm water and shake clean. Allow to air dry completely.
  - b. Dry-Filter Cleaning: Shake filter clean. Occasionally rinse with warm water. Allow to air dry completely.
7. Place the dry filter back onto the Canister Lid.
8. Wipe down the exterior of the Wet/Dry Vac and store indoors.



## TROUBLESHOOTING

SYMPTOM	PROBABLE CAUSE	REMEDY
Wet/Dry Vac will not start.	Power Cord is disconnected.	Ensure Power Cord is securely connected to the unit and to the power source. If using an extension cord, ensure the power cord and extension cord are securely connected.
	Circuit overload.	Check breaker or fuse panel.
	Brushes on motor are worn.	Contact your Customer Service.
Inadequate suction.	Flexible Hose is obstructed, cut or damaged.	Clean or replace Flexible Hose.
	Wand or attachment is obstructed.	Clear obstruction.
	Wet/Dry Filter is full of dirt.	Clean or replace.
No suction.	Canister is full.	Empty Canister.

## SPECIFICATIONS

TECHNICAL DATA	MODEL NO. AC-9
MOTOR	120V 2-Stage By-pass
HP	1.3 Nominal HP
CFM	101
WATERLIFT (Inches)	87
CAPACITY (Gallons)	9
WATER RECOVERY (Gallons)	6.0
ELECTRICAL CORD	25'
DIMENSIONS (L x W x H / Inches)	14 x 14 x 22
WEIGHT	25



## **STATEMENT OF WARRANTY FOR JOHN DEERE WET/DRY VACUUM AC-9**

Manufacturer warrants all parts (except those referred to below) of your new Wet/Dry Vac to be free from defects in materials and workmanship for One (1) Year from the date of original purchase with the following exception:

Lifetime warranty on canister.

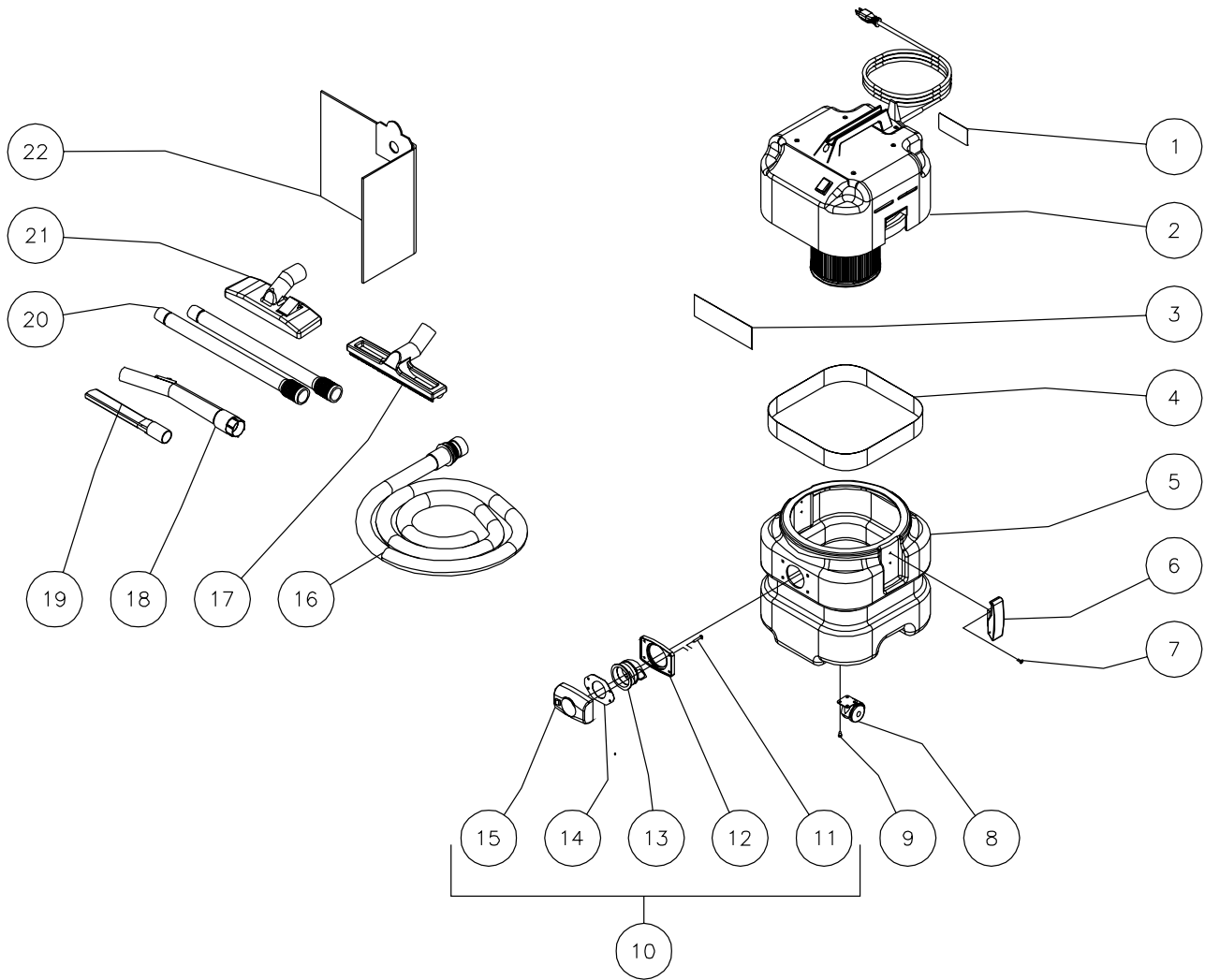
Defective parts will be repaired or replaced at our option during the warranty period. In any event, reimbursement is limited to the purchase price paid.

### **EXCLUSIONS**

1. This warranty does not cover parts damaged due to normal wear, misapplication, misuse, operation at other than recommended speeds or temperature. Parts damaged or worn because of the use of caustic liquids or by operation in abrasive or corrosive environments are not warranted. Failure to follow recommended operating and maintenance procedures also voids warranty.
2. The use of other than Genuine Manufacturer Repair Parts will void warranty. Parts returned, prepaid to our factory or to an Authorized Service Center will be inspected and replaced free of charge if found to be defective and subject to warranty. There are no warranties which extend beyond the description of the face hereof. Under no circumstances shall the manufacturer bear any responsibility for loss of use of the unit, loss of time or rental, inconvenience, commercial loss or consequential damages.

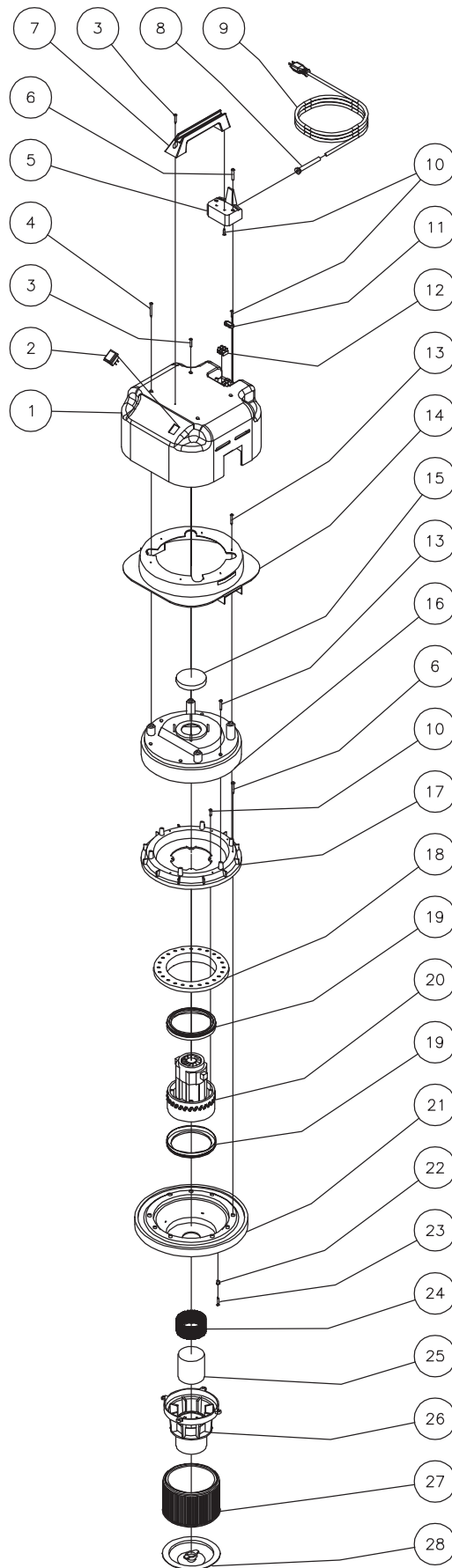
For Service or Warranty Consideration, contact  
Mi-T-M® Corporation, 8650 Enterprise Drive, Peosta, IA 52068  
1-877-JD-KLEEN / (1-877-535-5336) Fax 563-556-1235  
Monday - Friday 8:00 a.m. - 5:00 p.m. CST

# ASSEMBLY FOR AC-9



<b>ASSEMBLY FOR MV-900-0JEV</b>			
<b>REF. #</b>	<b>DESCRIPTION</b>	<b>PART #</b>	<b>QTY.</b>
1	Decal- Data Plate	N/A	1
2	Vacuum Power Head Assembly	3-0239	1
3	Decal- John Deere Logo	34-1414	1
4	Decal- John Deere Stripe	34-1291	1
5	Canister Bottom	62-0147	1
6	Latch	33-0416	2
7	Rivet	53-0006	4
8	Caster Wheel w/Plate	14-0093	4
9	Screw	27-3262	12
10	Vacuum Inlet Kit (Inc. 11-15)	70-0368	1
11	Screw (See 70-0368)	N/A Sep.	4
12	Receiver Flange (See 70-0368)	N/A Sep.	1
13	Deflector Elbow (See 70-0368)	N/A Sep.	1
14	Inlet Flange Gasket (See 70-0368)	N/A Sep.	1
15	Receiver Hose (See 70-0368)	N/A Sep.	1
16	Suction Hose w/ Inlet Cuff	15-0241	1
17	Squeegee Tool- 12"	33-0410	1
18	Curved Wand	16-0403	1
19	Crevice Tool	33-0412	1
20	Wand	16-0402	2
21	Combo Floor Tool- 12"	33-0411	1
22	Paper Bag	19-0222	1

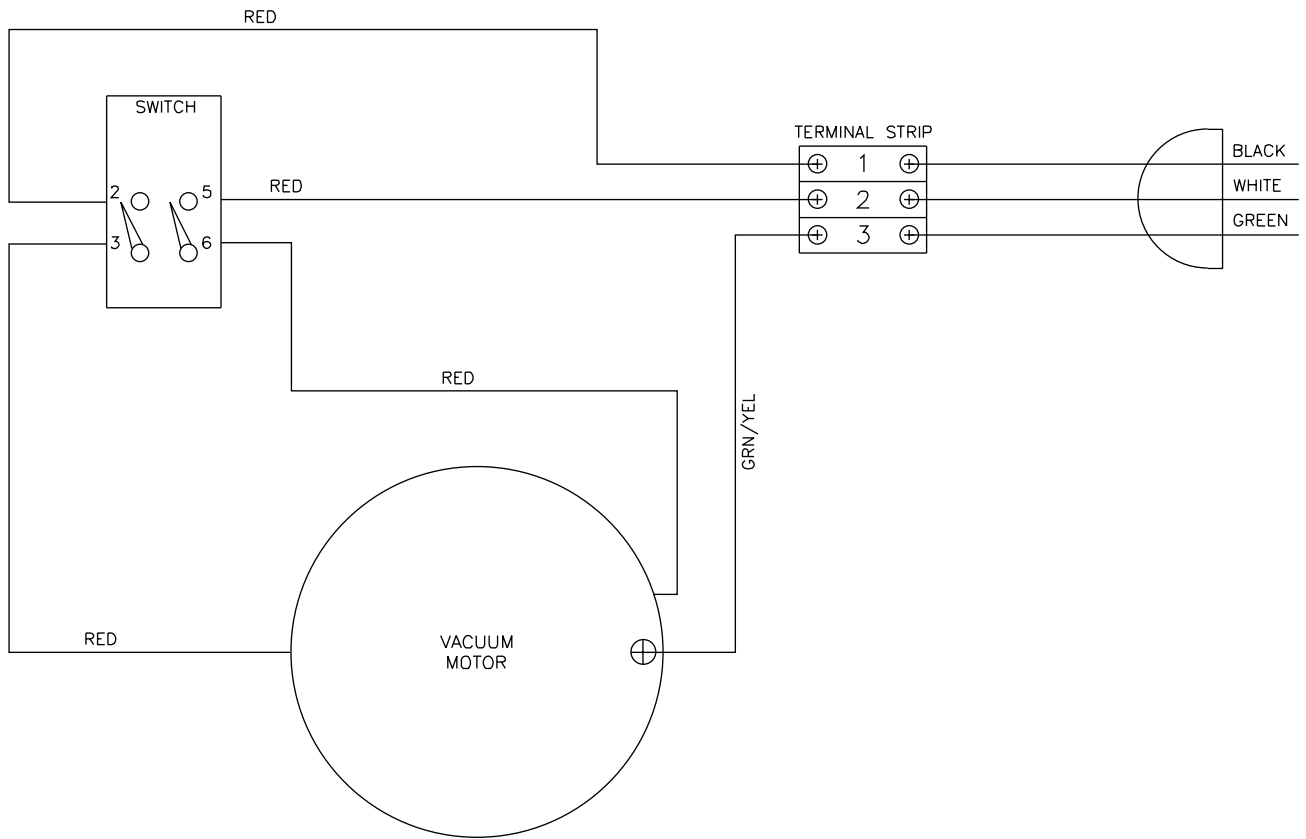
# VACUUM POWER HEAD ASSEMBLY (3-0239)



3-0239-012304-BAR

<b>VACUUM POWER HEAD ASSEMBLY (3-0239)</b>			
<b>REF. #</b>	<b>DESCRIPTION</b>	<b>PART #</b>	<b>QTY.</b>
1	Top Canister	62-0151	1
2	Rocker Switch	32-0789	1
3	Screw	27-9552	3
4	Screw	27-9553	2
5	Handle Base	62-0157	1
6	Screw	27-9555	8
7	Handle	62-0158	1
8	Strain Relief	32-0788	1
9	Cord Assembly	32-0792	1
10	Screw	27-9551	8
11	Cord Clamp	32-0787	1
12	Terminal Block	32-0790	1
13	Screw	27-9554	6
14	Chamber Divider	62-0152	1
15	Gasket Filter	26-0275	1
16	Motor Retainer Top	62-0153	1
17	Motor Retaining Head Bottom	62-0154	1
18	Motor Bottom Gasket	26-0277	1
19	Motor Gasket	26-0224	2
20	Motor- 1.3 HP	2-0140	1
21	Canister Base	62-0155	1
22	Filter Housing Spacer	62-0156	4
23	Screw	27-9556	4
24	Screen	19-0229	1
25	Float	62-0161	1
26	Filter Housing	62-0159	1
27	Filter	19-0221	1
28	Filter Retaining Clip	62-0160	1

# WIRING DIAGRAM



MV-900 WIRING DIAGRAM-030303-KZ





## TABLE DES MATIERES

<b>INTRODUCTION</b> .....	<b>19</b>
<b>INSTRUCTIONS IMPORTANTES DE SÉCURITÉ</b> .....	<b>20-21</b>
RISQUE DE DÉCHARGE ÉLECTRIQUE OU D'ÉLECTROCUTION .....	20
RISQUE D'EXPLOSION OU D'INCENDIE .....	21
RISQUE DE BLESSURES CORPORELLES.....	21
<b>CARACTÉRISTIQUES</b> .....	<b>22</b>
<b>INSTALLATION &amp; PRÉPARATION</b> .....	<b>23-24</b>
MISE EN MARCHÉ.....	23
INSTRUCTIONS POUR LA MISE A LA TERRE .....	24
<b>CONSIGNES D'UTILISATION</b> .....	<b>25</b>
FONCTIONNEMENT .....	25
ARRÊT .....	25
<b>DÉPANNAGE</b> .....	<b>26</b>
<b>SPÉCIFICATIONS</b> .....	<b>26</b>
<b>BON DE DE GARANTIE</b> .....	<b>27</b>
<b>LISTE DES PIÈCES</b> .....	<b>28-32</b>
ASSEMBLÉE POUR AC-9.....	28
ASSEMBLÉE POUR TÊTE DE PUISSANCE DE VIDE (3-0239) .....	30
DIAGRAMME DE CÂBLAGE.....	32
<b>NOTE</b> .....	<b>33-36</b>



## INTRODUCTION

Félicitations de l'achat de votre nouveau aspirateur eau/poussière industriel John Deere! Vous pouvez être assuré que votre nouveau aspirateur eau/poussière a été construit et conçu avec qualité et performance à l'esprit. Chaque composant a été rigoureusement testé afin d'atteindre le plus haut niveau de fiabilité.

Le manuel de l'utilisateur a été dressé pour que vous en retiriez le meilleur parti. Par la lecture et l'application des mesures simples de sécurité, d'installation, d'opération, d'entretien et de dépannage décrites dans ce manuel, votre nouveau aspirateur eau/poussière John Deere fonctionnera sans faille pendant de nombreuses années. Le contenu de ce manuel est basé sur la dernière information disponible du produit au moment de la publication. John Deere se réserve le droit d'effectuer des changements de prix, de couleur, de matériaux, d'équipement, de caractéristiques ou de modèles à tout moment sans préavis.

### ! IMPORTANT !

Les "mots d'alerte" suivants sont utilisés à travers ce manuel pour indiquer le degré ou le niveau de gravité du danger.

**DANGER:** Indique une situation au danger imminent qui, si elle n'est pas évitée, ENTRAINERA la mort ou des blessures graves.

**AVERTISSEMENT:** Indique une situation potentiellement dangereuse qui, si elle n'est pas évitée, POURRAIT entraîner la mort ou des blessures graves.

**ATTENTION:** Indique une situation potentiellement dangereuse, qui, si elle n'est évitée, PEUT entraîner des dommages corporels mineurs ou modérés.



Le symbole placé à gauche de ce paragraphe est un "symbole d'alerte de sécurité". Ce symbole est utilisé pour souligner les points ou les procédures qui pourraient être dangereux pour vous ou tout autre personne utilisant cet équipement.

**FOURNISSEZ TOUJOURS UNE COPIE DE CE MANUEL A TOUTE PERSONNE UTILISANT CET EQUIPEMENT. LISEZ TOUTES LES INSTRUCTIONS AVANT D'UTILISER CET ASPIRATEUR EAU/POUSSIERE ET ATTIREZ SPECIALEMENT L'ATTENTION AUX "AVERTISSEMENT DE SÉCURITÉ" POUR EMPECHER LA POSSIBILITÉ DE BLESSURES POUR L'UTILISATEUR.**

Une fois l'appareil déballé, écrivez immédiatement le numéro de série de votre appareil dans l'espace ci-dessous

**NUMERO DE SÉRIE** \_\_\_\_\_

Assurez-vous qu'il n'y a pas de signes de dommages évidents ou cachés suite au transport. En cas de dommage, remplissez immédiatement une réclamation avec la compagnie de transport. Assurez-vous que toutes les pièces endommagées sont remplacées et les problèmes mécaniques et électriques corrigés avant l'utilisation de l'appareil. Si vous avez besoin d'assistance, entrez en contact avec votre service clientèle.

Mi-T-M® Corporation, 8650 Enterprise Drive, Peosta, IA 52068  
1-877-JD-KLEEN / (1-877-535-5336) Fax 563-556-1235  
Lundi- Vendredi 8:00- 17:00 CST (Heure Centrale)

Veillez avoir les informations suivantes disponibles pour toute intervention:

1. Numéro de modèle
2. Numéro de série
3. Date et lieu d'achat




# AVERTISSEMENTS DE SÉCURITÉ



**AVERTISSEMENT:** Lors de l'utilisation de ce produit, des précautions de base doivent toujours être observées, incluant les suivantes:

LIRE TOUTES LES INSTRUCTIONS AVANT UTILISATION DE L'ASPIRATEUR EAU/POUSSIÈRE

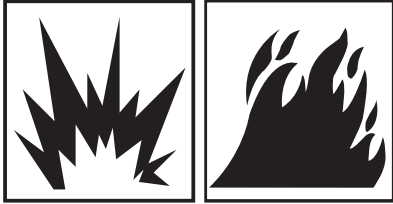

RISQUE	CONSÉQUENCE POTENTIELLE	PRÉVENTION
<p data-bbox="131 275 451 373"><b>RISQUE DE DÉCHARGE ÉLECTRIQUE OU D'ÉLECTROCUTION</b></p> 	<p data-bbox="483 275 894 478">Des risques de mort ou de blessures graves peuvent survenir si l'aspirateur eau/poussière n'est pas reliée à la terre correctement. Votre aspirateur eau/poussière est alimenté par électricité et pourrait provoquer une décharge électrique ou une électrocution si il n'est pas utilisé correctement.</p> <p data-bbox="483 751 813 804">Un choc électrique peut se produire par le fil électrique.</p> <p data-bbox="483 1402 894 1518">Des risques de mort ou de blessures graves peuvent survenir si des réparations électriques sont effectuées par des personnes inexpérimentées.</p>	<p data-bbox="922 275 1484 348">Cet appareil doit être relié à la terre. Ne brancher qu'à une prise correctement mise à la terre. Voir les "instructions de mise à la terre".</p> <p data-bbox="922 359 1484 474">Assurez-vous que l'appareil reçoit toujours le voltage approprié. Avant de brancher l'appareil à une source d'énergie compatible, assurez-vous que l'interrupteur est en position "Arrêt" (Off). Débrancher entre chaque utilisation.</p> <p data-bbox="922 495 1484 611">Ne modifier en aucun cas la prise fournie avec le produit. Si celle-ci n'entre pas dans la prise femelle, faites-en installer une par un électricien qualifié. Ne pas enlever la prise ou utiliser aucun type d'adaptateur.</p> <p data-bbox="922 642 1484 737">Ne pas exposer l'aspirateur eau/poussière à la pluie ou immerger dans l'eau. Ne pas utiliser d'eau sous pression pour nettoyer l'aspirateur eau/poussière. Entreposer à l'intérieur.</p> <p data-bbox="922 758 1484 873">Vérifier que le cordon d'alimentation n'a pas d'écrasement, de coupures ou de dommages résultant de la chaleur. Si une prise ou un cordon d'alimentation a besoin d'être changé, remplacez-le avec un produit identique.</p> <p data-bbox="922 905 1484 999">Rapporter l'aspirateur eau/poussière à un centre de service s'il ne fonctionne pas correctement, si vous l'avez laissé tombé, si il est abîmé, si il a été laissé dehors, ou si il est tombé dans l'eau.</p> <p data-bbox="922 1010 1484 1146">Garder tous les branchements au sec et au dessus du sol. Ne pas permettre aux fils électriques de tremper dans l'eau ou de se retrouver dans une position telle que le contact avec l'eau serait possible. Ne pas toucher la prise ou l'aspirateur eau/poussière avec les mains mouillées.</p> <p data-bbox="922 1157 1484 1293">Ne pas tirer sur ou porter l'appareil par le fil électrique. Ne pas se servir du fil comme d'une poignée, fermer la porte sur le fil, ou tirer le fil sur des coins ou bords aigus. Ne pas passer l'aspirateur eau/poussière sur le fil. Placer le fil loin de toute surface chaude.</p> <p data-bbox="922 1304 1484 1398">Éteindre toutes les commandes avant de débrancher l'appareil de la prise. Ne pas débrancher en tirant sur le fil. Pour débrancher, saisir la prise, pas le fil.</p> <p data-bbox="922 1409 1484 1629">Utiliser seulement des rallonges ayant une intensité électrique au moins égale à l'intensité électrique du produit. N'employer pas de rallonges électriques abîmées. Examiner la rallonge avant chaque utilisation et remplacer-la si elle est endommagée. Tenir le fil électrique à l'écart de la chaleur et des bords coupants. Brancher et débrancher toujours la rallonge électrique du réceptacle avant de brancher ou débrancher celle-ci de l'appareil.</p> <p data-bbox="922 1640 1484 1755">Toute réparation ou câblage électrique effectué sur l'aspirateur eau/poussière doit être réalisé par le Personnel de Service Autorisé et selon les dispositions électriques nationales et locales en vigueur.</p> <p data-bbox="922 1776 1484 1913">Avant d'ouvrir n'importe quel boîtier électrique, toujours éteindre l'aspirateur eau/poussière et débrancher l'aspirateur eau/poussière de la source d'énergie. Laisser l'aspirateur eau/poussière refroidir. Entretien dans un endroit propre, sec, et plat.</p>



# AVERTISSEMENTS DE SÉCURITÉ



LIRE TOUTES LES INSTRUCTIONS DE SÉCURITÉ AVANT UTILISATION DE L'ASPIRATEUR EAU/POUSSIÈRE

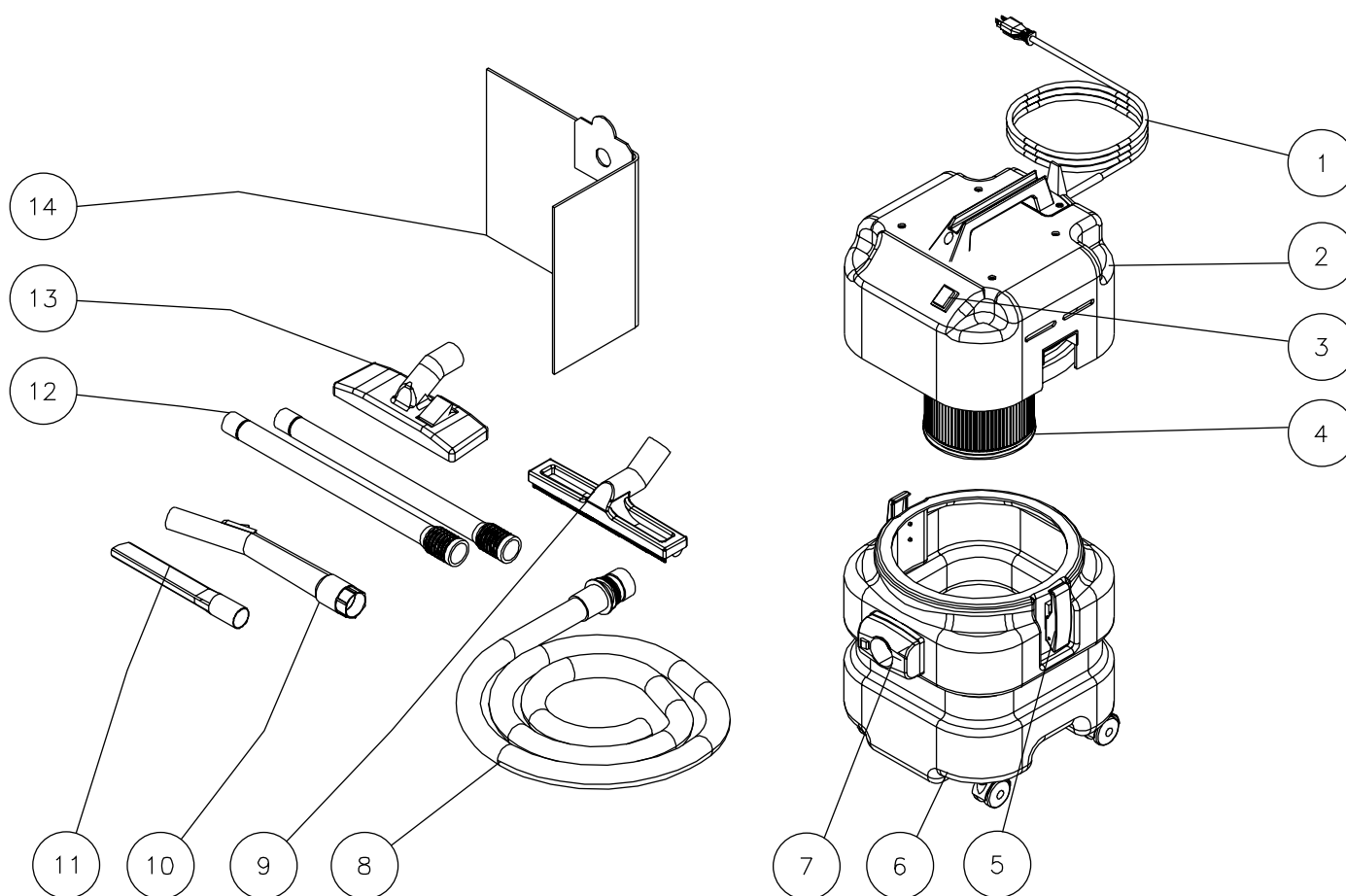
RISQUE	CONSÉQUENCE POTENTIELLE	PRÉVENTION
<p><b>RISQUE D'EXPLOSION OU D'INCENDIE</b></p> 	<p>Des risques de mort ou de blessures graves peuvent survenir à la suite d'étincelles électriques normales dans le moteur.</p> <p>Des risques de mort ou de blessures graves peuvent survenir à la suite de l'absorption de matières inflammables.</p> <p>Des blessures peuvent survenir si l'appareil surchauffe.</p>	<p>Toujours faire fonctionner l'aspirateur eau/poussière dans un endroit bien ventilé, libre de vapeurs inflammables, de poussière combustible, de gaz, ou d'autres matériaux combustibles.</p> <p>Ne pas aspirer de matières inflammables comme l'essence ou toute chose qui brûle ou fume comme les cigarettes, cendres, etc.</p> <p>Déranger toujours le cordon de secteur avant utilisation. Se servir d'un cordon de secteur enroulé pourrait résulter en une tension basse ou surchauffement de l'appareil.</p> <p>Ne pas se servir de l'appareil sans avoir un filtre à poussière en place.</p>
<p><b>RISQUE DE BLESSURES CORPORELLES</b></p> 	<p>L'aspirateur eau/poussière peut être la cause de blessures.</p>	<p>Tenir le bec suceur à l'écart du corps, surtout des yeux, oreilles, nez et bouche.</p> <p>Ne pas se servir de cet appareil pour ramasser des poussières ou substances dangereuses.</p> <p>Rester vigilant et attentif à vos gestes. Ne pas utiliser l'appareil sous l'effet de la fatigue ou sous l'influence d'alcool ou de drogues.</p> <p>Les surfaces humides peuvent être glissantes, porter des chaussures protectrices et garder une bonne prise de pieds et un bon équilibre en permanence.</p> <p>Une supervision directe est nécessaire quand les enfants utilisent l'aspirateur eau/poussière. Cet appareil ne doit pas être utilisé comme un jouet.</p> <p><b>NE PAS</b> laisser l'appareil en marche sans surveillance. Arrêter l'aspirateur eau/poussière et débrancher-le de la source d'énergie avant de le quitter.</p> <p>Savoir arrêter l'aspirateur eau/poussière. Bien connaître son fonctionnement et les commandes.</p> <p>Avant d'entretenir l'appareil: arrêter l'appareil et laisser l'appareil refroidir. Entretien l'appareil dans un endroit propre, sec, et plat. Bloquer les roues pour éviter que l'appareil ne se déplace.</p> <p>L'utilisation de cet appareil pour tout emploi non spécifié dans ce manuel peut être dangereux et doit être évité. Le fabricant ne peut être reconnu responsable de dommages ou blessures causées à des biens ou personnes suite à une utilisation incorrecte de l'appareil consécutive à des manipulations non spécifiées dans ce manuel.</p> <p>Ne pas placer d'objet dans les ouvertures. Ne pas utiliser l'appareil si une ouverture est bouchée; garder libre de poussières, peluches, cheveux, et de toute chose qui pourrait réduire la circulation d'air.</p> <p>Garder cheveux, vêtements amples, doigts, et toutes les parties du corps à l'écart des ouvertures.</p> <p>Ne se servir de l'appareil que comme décrit dans ce manuel. Ne se servir que des attachements recommandés par le fabricant.</p> <p>Prendre de plus grandes précautions en cas de nettoyage des escaliers.</p>



## GARDER CES INSTRUCTIONS



## CARACTÉRISTIQUES DE L'ASPIRATEUR EAU/POUSSIÈRE



### LISTE DES CARACTÉRISTIQUES

1. Cordon de secteur de 25 pieds (7.62 m)
2. Tête de puissance de vide
3. Interrupteur Marche/Arrêt (On/Off)
4. Filtre
5. Attaches
6. Le fond de boîte métallique
7. D'Admission de vide
8. Tuyau d'aspiration
9. Raclette à liquides- 12"
10. Baguette
11. Bec pour fentes
12. Baguette
13. Plancher de combinaison d'outil - 12"
14. Sachet filtre

## INSTALLATION & PRÉPARATION

### MISE EN MARCHÉ:



### AVERTISSEMENT

#### RISQUE D'INCENDIE

Où des vapeurs de gaz inflammables peuvent être présentes. Une étincelle électrique provenant du moteur pourrait entraîner un incendie.



### AVERTISSEMENT

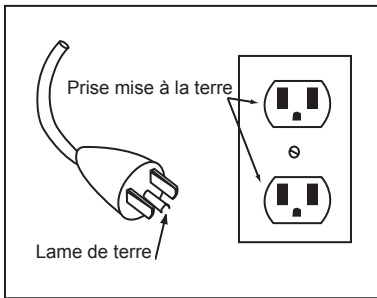
#### RISQUE DE DÉCHARGE ÉLECTRIQUE

Où l'appareil peut être exposé à la pluie, la neige ou plongé dans l'eau. L'eau peut infiltrer le système électrique créant un risque électrique.

1. Un vêtement approprié est essentiel pour votre sécurité. Il est conseillé d'employer tous les moyens nécessaires pour protéger les yeux, les oreilles, et la peau.
2. Enlever le couvercle de la cuve en détachant les attaches latérales.
  - a. Examiner le filtre cartouche pour s'assurer qu'il est libre de toutes obstructions. Le nettoyer ou le remplacer si nécessaire.
  - b. Examiner la cuve pour s'assurer qu'elle est vide et libre d'obstructions.
  - c. Si des réparations s'avèrent nécessaires, contacter votre centre de service agréé John Deere et n'utiliser que des pièces de remplacement authentiques de John Deere.
3. Les sacs filtres récupérateurs ne sont pas nécessaires avec votre aspirateur eau/poussière John Deere. Si vous le désirez, vous pouvez attacher un sac filtre en papier (fourni avec l'appareil) sur l'orifice d'aspiration de la cuve pour le ramassage et l'enlèvement immédiat des débris secs. **S'assurer que le sac récupérateur en papier est enlevé pour les aspirations humides ou liquides.** S'assurer que vous vous débarrassez de toutes les matières selon les standards de l'EPA locaux et nationaux.
4. Remettre le couvercle de la cuve et bien serrer les attaches latérales..
5. Bien insérer le bout le plus large du tuyau flexible dans l'orifice d'aspiration.
6. Relier le tube rallonge au tuyau flexible.
7. Relier la brosse eau/poussière au tube rallonge.
8. S'assurer que l'alimentation électrique est identique aux spécifications inscrites sur la plaque de données de votre aspirateur eau/poussière.
9. S'assurer que l'interrupteur Marche/Arrêt (On/Off) est en position "OFF" (Arrêt).
10. Insérer la fiche avec mise à la terre du cordon de secteur dans une prise mise à la terre.

## INSTALLATION & PRÉPARATION

FIG. A



### **AVERTISSEMENT**

#### **RISQUE DE DÉCHARGE**

Un mauvais raccordement du conducteur de masse peut être la cause d'un risque de décharge électrique.



### **AVERTISSEMENT**

#### **RISQUE D'ÉLECTROCUTION**

Si l'utilisation d'une rallonge électrique est requise, n'utiliser que des rallonges ayant une intensité électrique au moins égale à l'intensité électrique du produit. N'employer pas de rallonges électriques abîmées



### **ATTENTION**

#### **RISQUE D'INCENDIE**

Un cordon de secteur rembobiné peut causer une tension basse et un échauffement susceptible de déclencher un incendie.

### INSTRUCTIONS POUR LA MISE A LA TERRE:

1. Cet aspirateur eau/poussière doit être raccordé à la terre. Si une dysfonction ou une panne devait survenir, la masse fournit un circuit de résistance moindre pour le courant électrique afin de réduire le risque de décharge. Cet aspirateur eau/poussière est équipé d'un fil électrique ayant un conducteur pour la terre et une prise de masse. La fiche doit être branchée à une sortie appropriée correctement installée et reliée à la terre selon tous les codes et dispositions en vigueur locaux.

Vérifier avec un électricien ou un personnel de service qualifié si vous avez un doute quant au raccordement de la masse. Ne modifier pas la prise fournie avec l'appareil – si elle ne rentre pas dans la prise de courant, faire installer une prise appropriée par un électricien qualifié.

2. Cet aspirateur eau/poussière est prévu pour utilisation sur un circuit nominal 120 volt, et a une fiche électrique avec prise à la terre (Voir Fig. A). S'assurer que l'aspirateur eau/poussière est branché à une prise ayant la même configuration que la fiche. Aucun adaptateur ne doit être utilisé avec cet aspirateur eau/poussière.

3. Dérouler le cordon de secteur avant de le brancher dans une prise mise à la terre.

**NOTE:** Cet aspirateur eau/poussière est équipé d'un réservoir de vidange; s'assurer que le bouchon de vidange couvre l'ouverture du réservoir de vidange avant de démarrer l'appareil. L'aspirateur eau/poussière ne fonctionnera pas correctement si le réservoir de vidange est ouvert.



## CONSIGNES D'UTILISATION

### FONCTIONNEMENT:

1. S'il vous plaît, veuillez respecter les précautions suivantes pendant l'utilisation de l'aspirateur eau/poussière.
  - a. Ne pas placer d'objet dans les ouvertures de l'aspirateur eau/poussière. S'assurer que toutes les ouvertures restent débouchées et libres de peluches, cheveux, poussières et de toute chose qui pourrait réduire la circulation d'air.
  - b. Ne pas se servir de détergents ou solvants agressifs. NE PAS se servir de l'appareil en cas de fuite de mousse/liquide provenant de l'appareil. NE PAS se remettre au travail avant que l'appareil ait été examiné et réparé par un personnel de service qualifié.
  - c. Si l'appareil se renverse, il est recommandé de le remettre à l'endroit avant de le mettre à l'arrêt.
2. Tout en tenant le tuyau flexible, mettre l'interrupteur marche/Arrêt (ON/OFF) en position "Marche" (On).
3. Déplacer lentement la brosse plancher eau/poussière sur la surface que vous désirez nettoyer.
4. Application Aspirations de Liquides:
  - a. Tandis que la cuve se remplit, le flotteur commence de s'élever. La fonction du flotteur est d'arrêter l'aspiration quand le réservoir est plein ou si l'aspirateur eau/poussière se renverse accidentellement. Quand la cuve est pleine, mettre l'interrupteur Marche/Arrêt (On/Off) en position "Arrêt" (Off) et débrancher le cordon de secteur de la prise.
  - b. Enlever le couvercle de la cuve et vider tous les débris de la cuve.
5. Application Aspirations Sèches:
  - a. Si vous vous servez d'un sac filtre récupérateur en papier, l'enlever et le remplacer par un nouveau sac récupérateur en papier.
  - b. Si vous ne vous servez pas d'un sac filtre récupérateur en papier, vider la cuve en penchant l'aspirateur eau/poussière.

**NOTE:** S'assurer que vous vous débarrassez de toutes les matières selon les standards locaux et nationaux de l'EPA.

6. Remettre le couvercle de la cuve à sa place et rebrancher le cordon de secteur dans une prise mise à la terre.
7. Mettre l'interrupteur Marche/Arrêt (On/Off) en position "Marche" (On) pour se remettre au travail.

### MISE A L'ARRET:

1. Quand l'application nettoyage est terminée, mettre l'interrupteur Marche/Arrêt (On/Off) en position "Arrêt" (Off).
2. Débrancher le cordon de secteur de la prise.
3. Enrouler le cordon de secteur débranché et le placer sur l'endroit désigné de l'aspirateur eau/poussière.
4. Enlever le couvercle de la cuve et vider la cuve.
5. Rincer la cuve et laisser sécher à l'air libre.
6. Enlever le filtre cartouche du couvercle de la cuve.
  - a. Nettoyage du filtre mouillé: Rincer avec de l'eau chaude et le secouer. Laisser sécher complètement à l'air libre.
  - b. Nettoyage du filtre sec: Secouer le filtre. Rincer occasionnellement avec de l'eau chaude. Laisser sécher complètement à l'air libre.
7. Replacer le filtre cartouche sec sur le couvercle de la cuve.
8. Essuyer l'extérieur de l'aspirateur eau/poussière et le ranger à l'intérieur.



## DÉPANNAGE

SYMPTOME	CAUSE PROBABLE	REMEDE
L'aspirateur eau/poussière ne démarre pas.	Le cordon de secteur est débranché.	S'assurer que le cordon de secteur est bien connecté à l'appareil et à la source d'électricité. En cas de l'utilisation d'une rallonge, s'assurer que le cordon de secteur et la rallonge sont bien connectés.
	Surcharge du circuit.	Vérifier le disjoncteur mural ou la boîte à fusibles.
	Les brosses du moteur sont usées.	Contactez votre service clientèle.
Aspiration insuffisante.	Le tuyau flexible est obstrué, coupé ou abîmé.	Nettoyer ou remplacer le tuyau flexible.
	Tube rallonge ou accessoire est bouché.	Dégager l'obstruction.
	Filtre cartouche est rempli de terre.	Nettoyer ou remplacer.
Pas d'aspiration.	La cuve est pleine.	Vider la cuve.

## SPÉCIFICATIONS

DONNEES TECHNIQUES	AC-9
MOTEUR	120V 2-Stage By-pass
HP	1.3 Nominal HP
CFM	101
DEPRESSION	221 cm
CAPACITE	34 L
DEBIT D'EAU	23 L
CORDON DE SECTEUR	7.62 m
DIMENSIONS (L x W x H / cm)	35.5 x 35.5 x 56
POIDS	25

## BON DE GARANTIE POUR ASPIRATEURS EAU/POUSSIÈRE

Fabricant garantit toutes les pièces (à l'exception de celles stipulées ci-dessous) de votre nouveau aspirateur eau/poussière en cas de défauts de matériaux et de fabrication pendant une (1) année à partir de la date d'achat initiale avec l'exception suivante:

Garantie à vie de la cuve

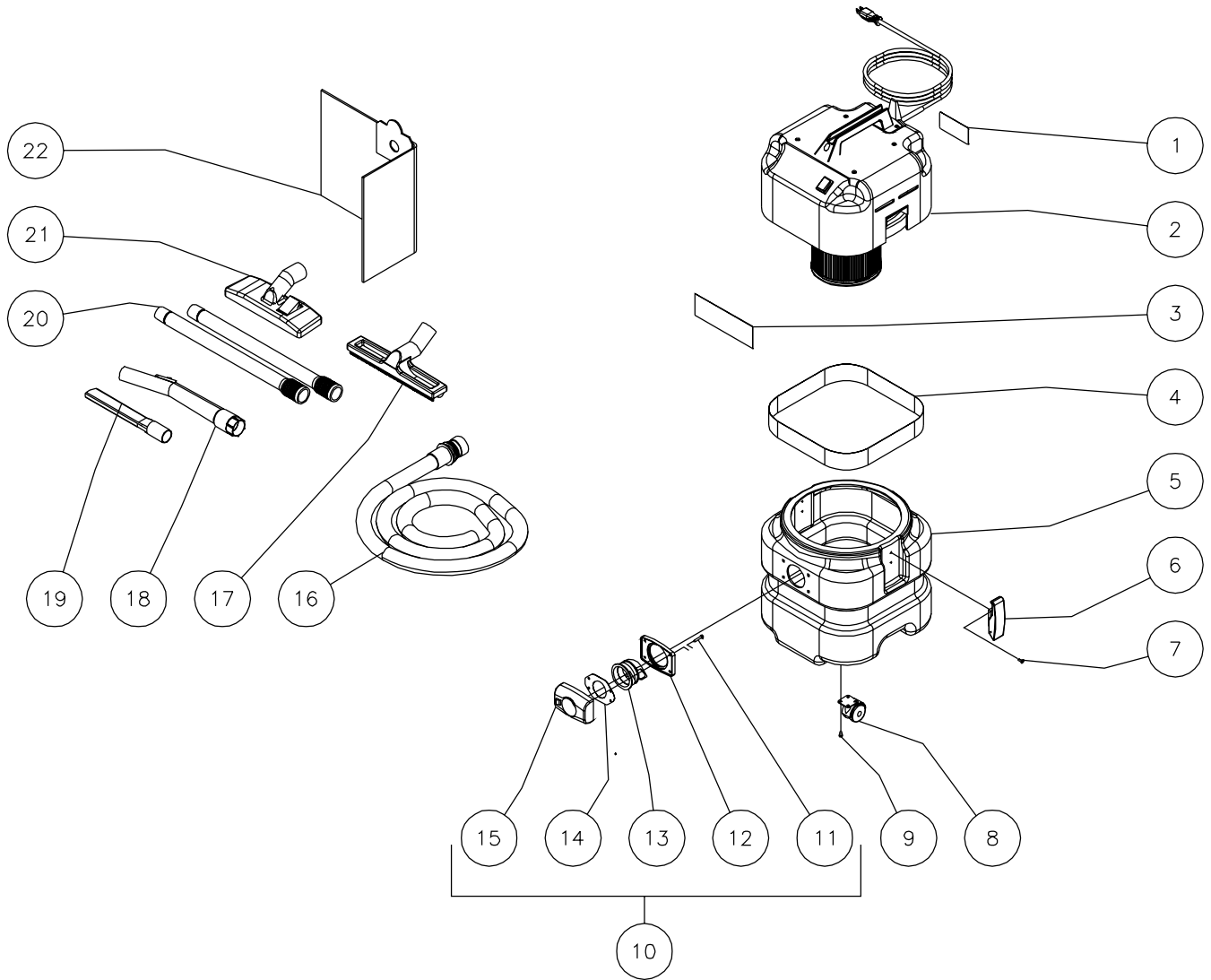
Les pièces défectueuses seront réparées ou remplacées à notre choix pendant la période de garantie. Quoi qu'il arrive, le remboursement est limité au prix d'achat.

### EXCLUSIONS

1. Cette garantie ne couvre pas les pièces endommagées par l'usure normale, une application erronée, une mauvaise utilisation, un fonctionnement autre qu'aux vitesses et températures recommandées. Les pièces endommagées ou usées par l'utilisation de liquides caustiques ou le fonctionnement dans des environnements abrasifs ou corrosifs ne sont pas garanties. La garantie ne couvre pas les dégâts provoqués par un mauvais suivi des procédures de fonctionnement et d'entretien .
2. L'utilisation de toute pièce autre que des pièces de réparation authentiques fabricant annulera la garantie. Les pièces renvoyées en port payé, à notre usine ou à un centre de service agréé seront inspectées et remplacées gratuitement si elles sont jugées défectueuses après estimation, et couvertes par la garantie. Il n'existe aucune garantie prolongeant les dates d'expiration stipulées ci-dessus. Le fabricant n'est en aucun cas responsable de la perte d'utilisation de l'appareil, du temps perdu ou de la perte de location de l'appareil, des ennuis, des pertes commerciales ou des dommages indirects.

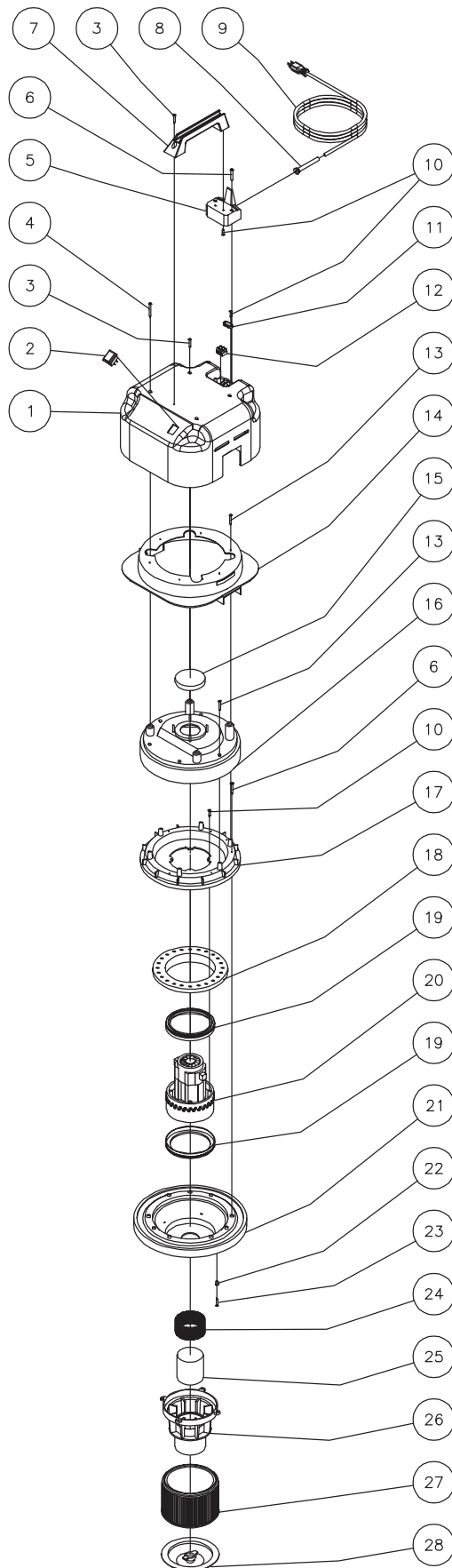
Mi-T-M® Corporation, 8650 Enterprise Drive, Peosta, IA 52068  
1-877-JD-KLEEN / (1-877-535-5336) Fax 563-556-1235  
Lundi- Vendredi 8:00- 17:00 CST (Heure Centrale)

# ASSEMBLÉE POUR AC-9



<b>ASSEMBLÉE POUR MV-900-0JEV</b>			
<b>RÉF. #</b>	<b>DESCRIPTION</b>	<b>PARTIE #</b>	<b>QUANTITÉ</b>
1	Plat de données	N/A	1
2	Tête de puissance de vide	3-0239	1
3	Déclaque- John Deere de logo	34-1414	1
4	Déclaque- John Deere de rayure	34-1291	1
5	Le fond de boîte métallique	62-0147	1
6	Verrou	33-0416	2
7	Rivet	53-0006	4
8	Roue de boîte métallique w/Plaqué	14-0093	4
9	Vis	27-3262	12
10	D'Admission de vide kit (Inc. 11-15)	70-0368	1
11	Vis (voyez 70-0368)	N/A Sep.	4
12	Bride (voyez 70-0368)	N/A Sep.	1
13	Coude (voyez 70-0368)	N/A Sep.	1
14	Garniture (voyez 70-0368)	N/A Sep.	1
15	Tuyau de récepteur (voyez 70-0368)	N/A Sep.	1
16	Tuyau d'aspiration	15-0241	1
17	Squeege D'Outil -12"	33-0410	1
18	Baguette	16-0403	1
19	Crevasse D'Outil	33-0412	1
20	Baguette	16-0402	2
21	Plancher De Combinaison D'Outil - 12"	33-0411	1
22	Sachet filtre	19-0222	1

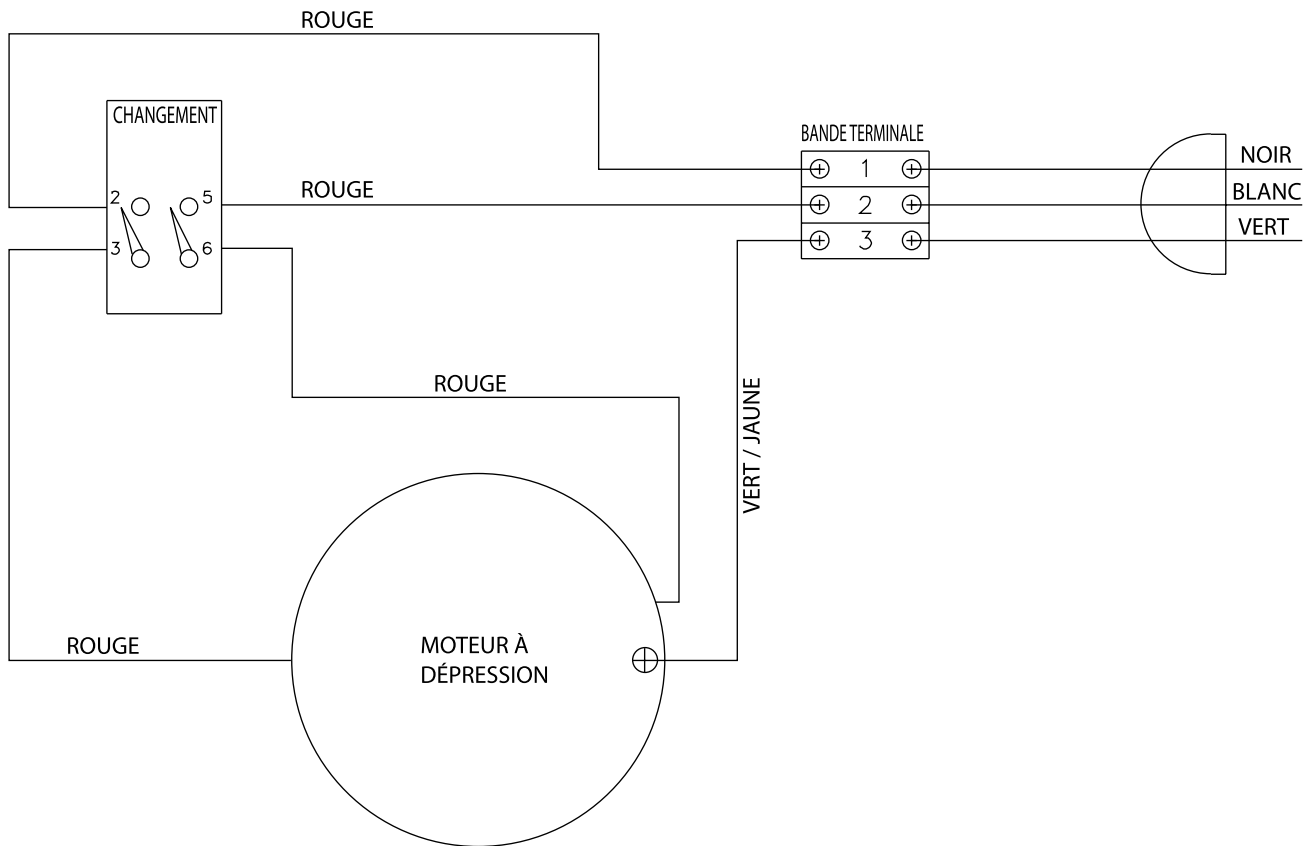
# ASSEMBLÉE POUR TÊTE DE PUISSANCE DE VIDE (3-0239)



3-0239-012304-BAR

<b>ASSEMBLÉE POUR TÊTE DE PUISSANCE DE VIDE (3-0239)</b>			
<b>RÉF. #</b>	<b>DESCRIPTION</b>	<b>PARTIE #</b>	<b>QUANTITÉ</b>
1	Couvercle De Boîte métallique	62-0151	1
2	Commutateur De Fusée	32-0789	1
3	Vis	27-9552	3
4	Vis	27-9553	2
5	Base de poignée	62-0157	1
6	Vis	27-9555	8
7	Poignée	62-0158	1
8	Passe-fils	32-0788	1
9	Assemblée De Cordon De Secteur	32-0792	1
10	Vis	27-9551	8
11	Bride de corde	32-0787	1
12	Borne de Bloc	32-0790	1
13	Vis	27-9554	6
14	Diviseur De Chambre	62-0152	1
15	Garniture de filtre	26-0275	1
16	Retenir la dessus de moteur	62-0153	1
17	Motor Retaining Head Bottom	62-0154	1
18	Garniture la fond de moteur	26-0277	1
19	Garniture De Moteur	26-0224	2
20	HP Du Moteur 1,3	2-0140	1
21	Base De Boîte métallique	62-0155	1
22	Entretoise De Boîtier De crépine	62-0156	4
23	Vis	27-9556	4
24	Filtrage	19-0229	1
25	Flotteur	62-0161	1
26	Logement de filtre	62-0159	1
27	Filtre	19-0221	1
28	Fixer de filtre	62-0160	1

# DIAGRAMME DE CÂBLAGE





---

**NOTE**

---

**NOTE**





## Free Manuals Download Website

<http://myh66.com>

<http://usermanuals.us>

<http://www.somanuals.com>

<http://www.4manuals.cc>

<http://www.manual-lib.com>

<http://www.404manual.com>

<http://www.luxmanual.com>

<http://aubethermostatmanual.com>

Golf course search by state

<http://golfingnear.com>

Email search by domain

<http://emailbydomain.com>

Auto manuals search

<http://auto.somanuals.com>

TV manuals search

<http://tv.somanuals.com>