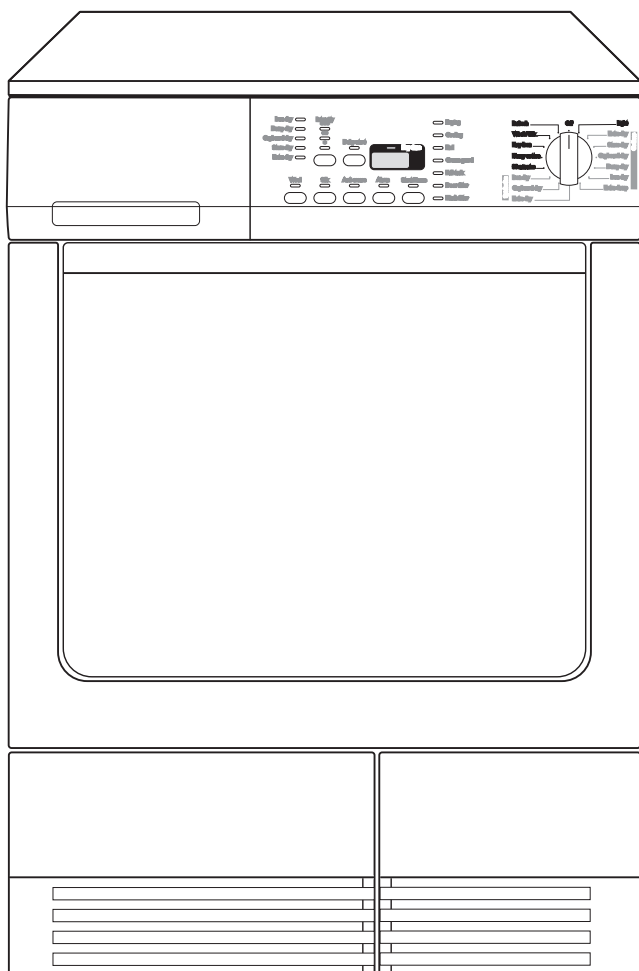


JLTDC01

condenser dryer with heat pump

Instruction manual



John Lewis

Important Safety Information

It is most important that this instruction manual should be retained with the appliance for future reference. Should the appliance be sold or transferred to another owner, or should you move house and leave the appliance, always ensure that the book is supplied with the appliance in order that the new owner can get to know the functioning of the appliance and the relevant warnings. These warnings have been provided in the interest of safety. You **MUST** read them carefully before use or installation by a qualified person. If you are unsure of the meanings of these warnings contact the John Lewis branch from which you purchased the appliance.

Installation

- The appliance is heavy. Care should be taken when moving it.
- It is dangerous to alter the specifications or attempt to modify this product in any way.
- Any electrical work required to install this appliance should be carried out by a qualified electrician or competent person.
- Care must be taken to ensure that the appliance does not stand on the electrical supply cable.
- If the machine is situated on a carpeted floor, please adjust the feet in order to allow air to circulate freely.
- If the tumble dryer is placed on top of a washing machine, it is compulsory to use the stacking kit (optional accessory).

Child safety

- This appliance is designed to be operated by adults. Children should not be allowed to tamper with the controls or play with the product.
- Pets and children have been known to climb into tumble dryers. Please check your drum before use.
- Keep all packaging well away from children.
- When the appliance is to be scrapped, cut off the electrical supply cable and destroy the plug with the remaining cable. Disable the door catch in order to prevent children from becoming trapped inside while playing.

Use

- Do not overload the appliance (see programme chart).
- Clothes which are dripping wet should not be placed in the dryer.
- **Risk of fire:** items that have been spotted or soaked with vegetable or cooking oil constitute a fire hazard and should not be placed in the tumble dryer.
- If you have washed your laundry with stain remover you must execute an extra rinse cycle before loading your tumble dryer.
- As some bulky items such as duvets and eiderdowns should be dried in large commercial machines because of their bulk, check with the manufacturer of the item if it is suitable for drying in a domestic machine, even if the dry weight of the item is within the limit advised.

- Please make sure that no gas lighters have accidentally been left in pockets of garments to be loaded into appliance.
- **Danger of explosion:** Never tumble dry items that have been in contact with flammable solvents (petrol, methylated spirits, dry cleaning fluid and the like). As these substances are volatile, they could cause an explosion. Only tumble dry items washed with water.
- In order to avoid danger of fires caused by excessive drying, do not use appliance to dry the following items: Cushions, quilts and the like (these items accumulate heat).
Items containing rubber foam or materials similar to rubber foam.
- Leave the door slightly ajar when the appliance is not being used. This will allow the seal to be preserved.
- Do not allow fluff to accumulate around the dryer.
- Under no circumstances should you attempt to repair the machine yourself. Repairs carried out by inexperienced persons may cause injury or serious malfunctioning. Contact the telephone number given under Repairs - After Sales Service (page 23).
Always insist on genuine John Lewis spare parts.

Maintenance and Cleaning

- Clean fluff filters after using tumble dryer. To prevent fire risks, do not use the appliance if the fluff filters are damaged.
- Switch off the dryer before all cleaning, care or maintenance work. Also disconnect the mains plug from the socket or – with permanent connections – switch off the LS switch in the fuse box and/or remove the fuse.
- Do not spray down the dryer with jets of water. Risk of electric shock!

Service


- This dryer should only be repaired or serviced by an authorised Service Engineer and only genuine approved spare parts should be used.

Ecological hints

To save energy we recommend that you follow these hints:

- Try to load the maximum capacity of the machine as small loads are **uneconomical**.
- Always load well spun laundry. The higher the spin speed, the lower the electricity consumption and the shorter the drying times.
- Do not over-dry laundry, this avoids creasing and saves energy.
- Clean the filters regularly to avoid excessive drying times and high electricity consumption.
- The room should be well ventilated for the tumble dryer to operate efficiently. The room temperature should not exceed +35°C during drying.


Environmental Information

- After unpacking please dispose of the packaging with due regard to safety and the environment.
- Materials marked with the symbol  are recyclable.
- Check with your local Council or Environmental Health Office to see if there are facilities in your area for recycling this appliance.
- When the appliance is to be scrapped, cut off the power supply cable and make the door closing device unusable to prevent young children from being trapped inside.



Warning

A cut off plug inserted into a 13 amp socket is a serious safety (shock) hazard. Please ensure the cut off plug is disposed of safely.

The symbol  on the product or on its packaging indicates that this product may not be treated as household waste. Instead it shall be handed over to the applicable collection point for the recycling of electrical and electronic equipment. By ensuring this product is disposed of correctly, you will help prevent potential negative consequences for the environment and human health, which could otherwise be caused by inappropriate waste handling of this product. For more detailed information about recycling of this product, please contact your local city office, your household waste disposal service or the shop where you purchased the product.

Contents

For the User

Important Safety Information	2
Description of the Appliance	5
The Control Panel	10
Programme Chart	12
Using the tumble dryer	13
Hints & Tips on Drying	15
Maintenance and Cleaning	16
External cleaning	16
Cleaning the filters	16
Cleaning the door	16
Cleaning the door seal	16
Cleaning the fluff filter	17
Emptying the water reservoir	18
Cleaning the drum	18
Clean operating screen and housing	18
Changing the bulb for interior lighting	18
Programming options	19
Something Not Working	20
Repairs - After Sales Service	23
Spare Parts	23

For the Installer

Installation	6
Technical Specifications	6
Unpacking	7
Transporting the appliance	7
Positioning	7
Stacking kit (optional accessory)	7
Door reversal	8
Electrical connection	9

Guide to use the Instruction Manual

The following symbols will be found in the text to guide you throughout the Instructions:



Safety Instructions



Hints and Tips



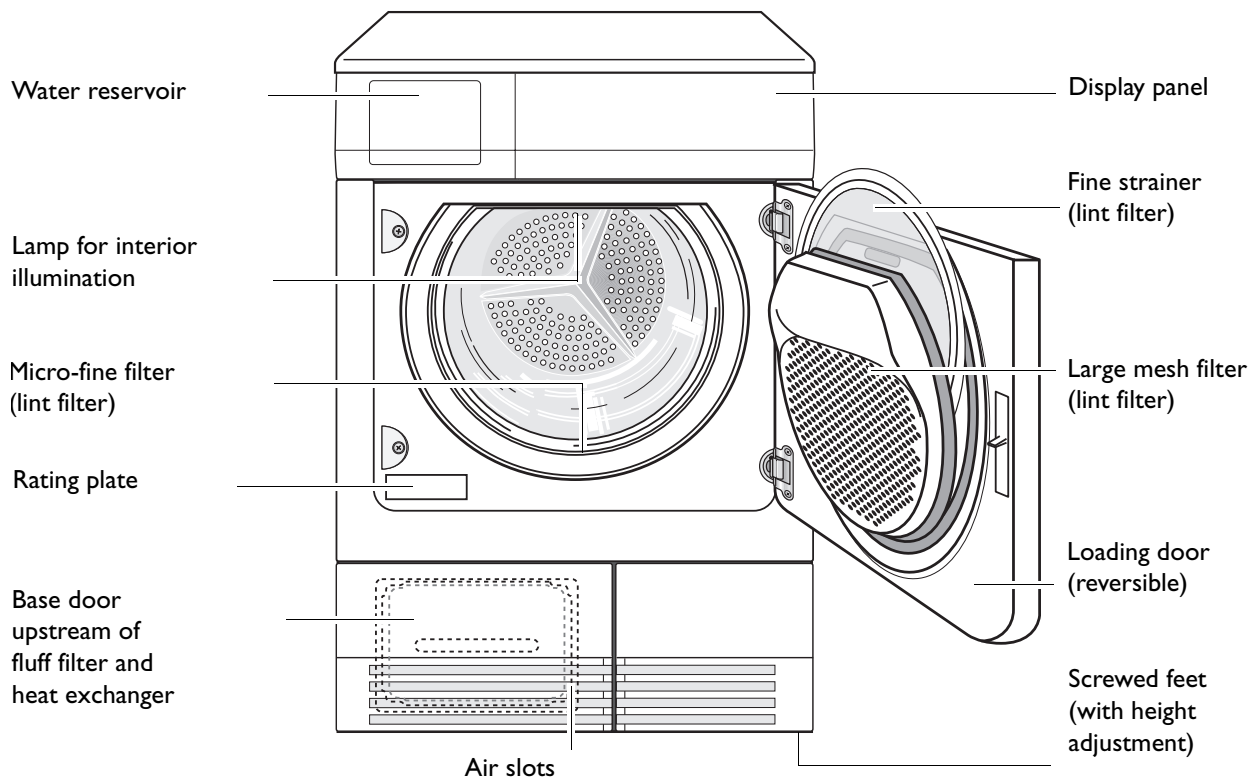
Environmental Information



This appliance complies with the following E.E.C. Directives:

- 73/23 or 19.2.73 (Low Voltage Directive) and subsequent modifications;
- 89/336 or 3.5.89 (Electromagnetic Compatibility Directive) and subsequent modifications.

Description of the Appliance



Installation



It is dangerous to alter the specifications or attempt to modify this product in any way.



Care must be taken to ensure that the appliance does not stand on its electrical supply cable.



Any electrical work required to install this appliance should be carried out by a qualified electrician or competent person.

Technical Specifications

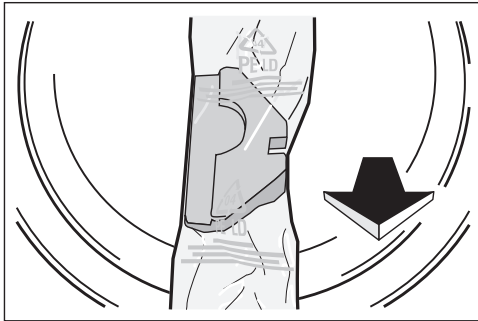
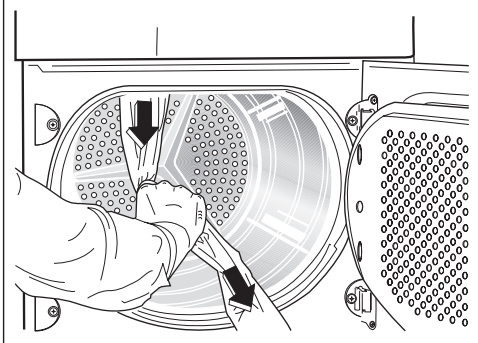
DIMENSIONS	Height Width Depth	85 cm (33.5") 60 cm (23.6") 60 cm (23.6")
POWER SUPPLY VOLTAGE TOTAL POWER ADSORBED		230-240 V/50 Hz 1200 W (6 A)
MAX LOAD CAPACITY	Cotton, linen Synthetics	6 kg (13.2 lbs) 3 kg (6.6 lbs)
DRUM VOLUME		108 l
CONSUMPTIONS	Cotton, linen Cotton, linen Synthetics	2.1 kWh (6kg cupboard dry) 1.7 kWh (6kg iron dry) 0.9 kWh (3kg cupboard dry)

Unpacking

Warning!



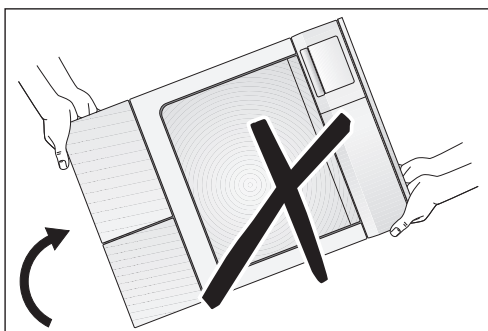
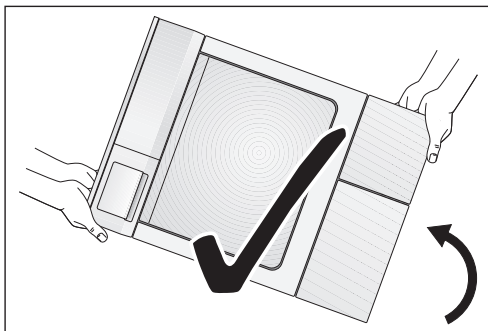
Slide out the polystyrene bag containing the polystyrene block before using the appliance. Pull off adhesive strips from inside machine on top of drum. Keep all packaging away from children.



Transporting the appliance



Warning: Only tip the appliance on its left side to transport (see illustration), if it cannot be transported in an upright position.



Positioning

It is recommended that, for your convenience, the machine is positioned close to your washing machine.

The tumble dryer must be installed in a clean place, where dirt does not build up.

To keep vibration and noise to a minimum when the dryer is in use, it should be placed on a firm, level surface.

Once in its permanent operating position, check that the dryer is absolutely level with the aid of a spirit level. If it is not, raise or lower the feet until it is.

The feet must never be removed.

Specialist accessories

The following special accessories are available from your Service Force Centre.

Stacking kit (optional accessory):

It should be possible to stack your new dryer on top of a front loading washing machine with a covers depth of 60 cm and width of 60 cm.

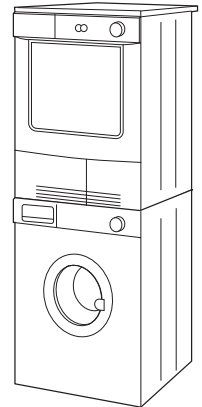
Read carefully the instructions supplied with the stacking kit.

Please contact your local John Lewis branch for further advice.

Version to be supplied:

– with extractable stacker plate

916 019 103



Installation kit for external condensate drain

Installation kit (125 122 510) for direct draining of condensate into a basin, siphon, gully, etc. The condensate tank then no longer has to be drained, it must however remain in its intended position in the machine. Refer to the "Programme options" section for how to deactivate the FULL TANK display.

Max. displacement height: 1 m from the base of the dryer;
max. displacement length: 3 m

Door reversal

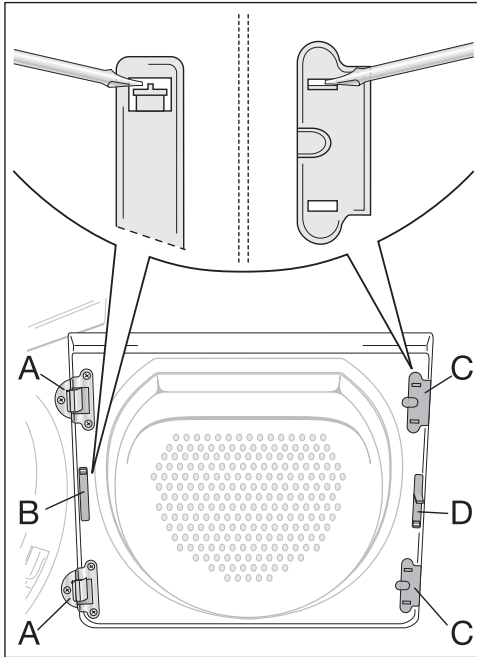


Warning! The door may only be reversed by a specialist.

Instructions for qualified personnel/specialist

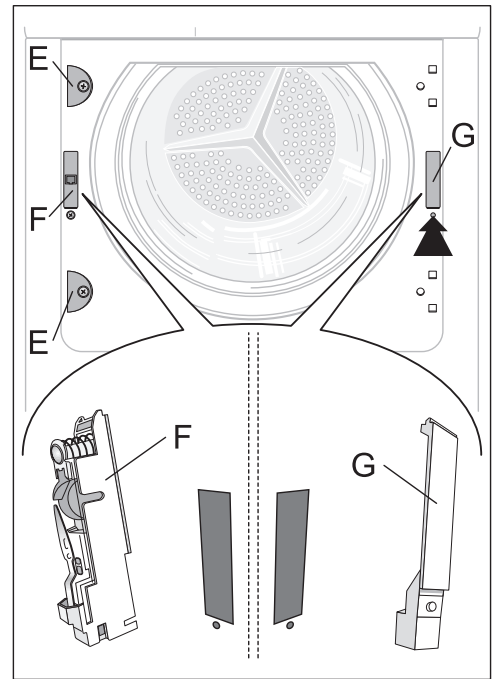
Warning! Before reversing the door, disconnect the mains plug; with a permanent connection: remove the fuse.

1. Open door.



2. Unscrew hinge A from the front of the machine and take off the door.
3. Carefully pry off cover plates B and C. To do this, insert a thin screwdriver into the slots as shown in the illustration, press downwards slightly and pry out the cover plates.
4. Unfasten locking block D from the snap-on fixture, take out and reinsert on the other side, having rotated the block through 180°.
5. Unscrew hinge A from the door, rotate through 180°, reinsert on the opposite side and screw down.
6. Reinsert cover plates B and C on the opposite site having first rotated them through 180°.

7. Unscrew cover plates E from the front of the machine, rotate through 180, screw on the opposite side.



8. Unscrew door lock F, push down slightly and remove from the front of the machine.
9. Press snap-in button G in and down, press cover down slightly and remove from front of the machine.
10. Transfer door lock F to the opposite side and screw down.
11. Fix cover G on to the other side and allow the snap-in button to lock in place.
12. Insert door and hinges into recesses on the front of the machine and screw down.

Note regarding contact protection: The machine is only secure for operations again once all plastic parts have been inserted.

Electrical connection

Any electrical work required to install this appliance should be carried out by a qualified electrician or competent person.

⚠ WARNING – THIS APPLIANCE MUST BE EARTHED.

Should the appliance power supply cable need to be replaced, this must be carried out by a Service Force agent (see page 23).

The manufacturer declines any liability should these safety measures not be observed.

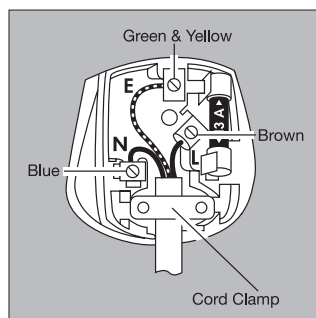
Before switching on, make sure the electricity supply voltage is the same as that indicated on the appliance rating plate (See picture on page 5).

The appliance is supplied with a 13 amp plug fitted. In the event of having to change the fuse in the plug supplied, a 13 amp ASTA approved (BS 1363/A) fuse must be used.

Should the plug need to be replaced for any reason, proceed as described below.

The wires in the mains lead are coloured in accordance with the following code:

Green and Yellow:	Earth
Blue:	Neutral
Brown:	Live



If you fit your own plug, the colours of the wires in the mains lead of your appliance may not correspond with the markings identifying the terminals in your plug.

Proceed as follows:

1. Connect the Green and Yellow (earth) wire to the terminal in the plug which is marked with the letter "E" or by the earth symbol \oplus or coloured green and yellow.
2. Connect the Blue (neutral) wire to the terminal in the plug which is marked with the letter "N" or coloured black.
3. Connect the Brown (live) wire to the terminal in the plug which is marked with the letter "L" or coloured red.
4. Upon completion there must be no cut, or stray strands of wire present and the cord clamp must be secure over the outer sheath.



A cut off plug inserted into a 13 amp socket is a serious safety (shock) hazard. Ensure that the cut off plug is disposed of safely.



The plug must still be accessible after the appliance has been installed.



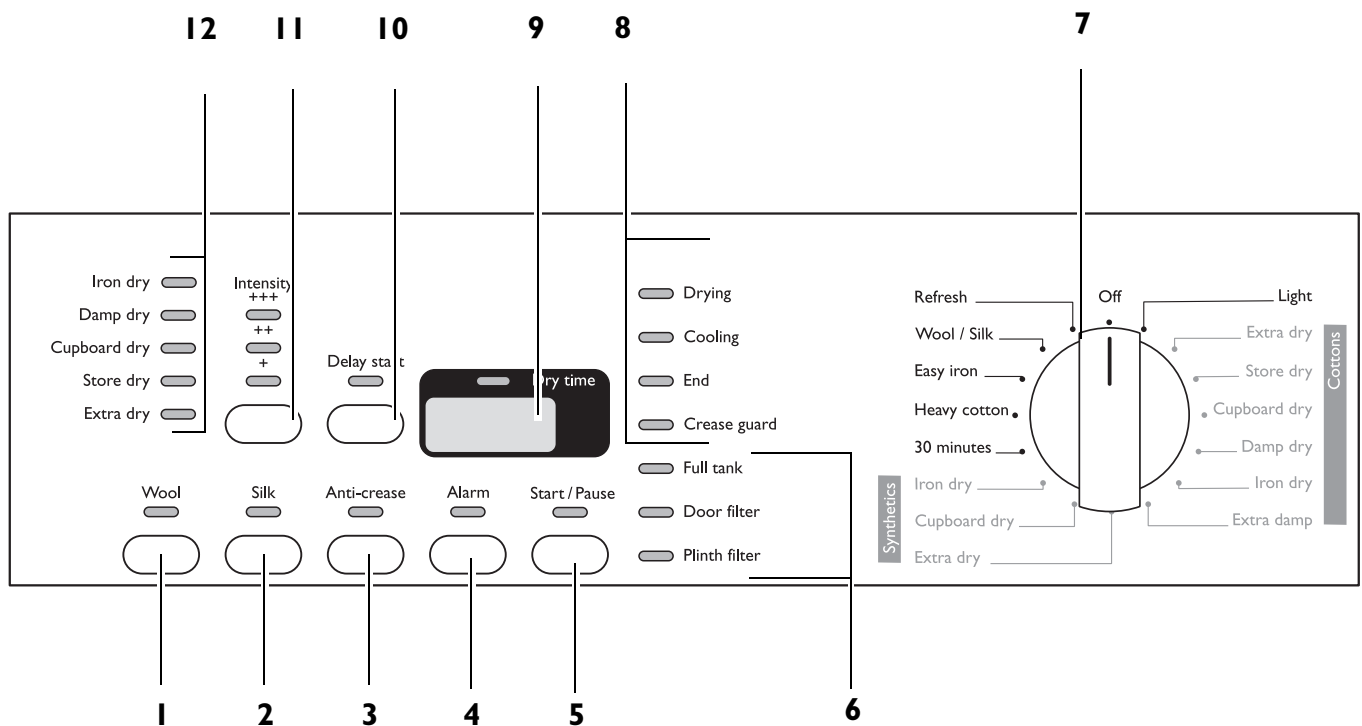
The appliance should not be connected to the electrical supply by means of an extension cable.

Permanent Connection

In the case of a permanent connection it is necessary that you install a double pole switch between the appliance and the electricity supply (mains), with a minimum gap of 3mm between the switch contacts and of a type suitable for the required load in compliance with the current electrical regulations.

The switch must not break the yellow and green earth cable at any point.

The control panel



1 Wool button

To select the Wool programme after setting the programme selector to WOOL/SILK. If no button is pressed, the Wool programme is automatically set.

2 Silk button

To select the SILK programme after setting the programme selector to WOOL/SILK.

3 Anti-crease button

The anti-crease phase at the end of the drying cycle is lengthened by 60 minutes. The laundry can be removed at any time during the anti-crease phase.

4 Alarm button

When the drying cycle has finished, an intermittent acoustic signal will sound, if this button has been pressed.

5 Start/Pause button

After having selected the programme and the options, press this button to start the dryer. The relevant light will stop flashing.

If you have chosen a delayed start, the machine will begin the count down.

If you want to interrupt the programme, press the START/PAUSE button. To restart the drying cycle, press the START/PAUSE button again.

6 Maintenance display

The related light comes up when

- the tank must be emptied or
- the filters must be cleaned.

7 Programme selector

The appliance will be switched on by turning the programme selector away from the OFF position to the left or to the right.

If the LIGHT position or a programme is selected, the interior illumination is switched on if the door is opened.

Electronically controlled or time controlled drying can be selected.

Electronically controlled drying (automatic)

The appliance runs these programmes with the help of sensors which detect the degree of dampness of the laundry.

Time controlled drying

This can be used to finish off drying if necessary. Select the 30 minutes programme for synthetics.

Cancelling a programme

To cancel a running drying programme, turn the programme selector to OFF.

Changing a programme

To change a programme which has been selected by mistake once the programme has started, first turn the programme selector to OFF and then reset the programme.

The programme can no longer be changed directly once the programme has started. If nevertheless there is an attempt to change the programme on the programme selector, the programme progress display and the maintenance indicators flash. If an option button (excluding the SIGNAL button) is pressed, *Err* appears in the multidisplay. The drying programme is not however affected by this (laundry protection).

Switch off the appliance

To switch off the appliance at the end of the drying cycle, turn the programme selector to OFF.

8 Programme progress display

The lights indicate the different phases of the drying cycle.

Drying:

The light indicates the drying phase.

Cooling:

The light indicates a cooling phase of 10 minutes.

End:

The light indicates the end of the cooling phase and the end of the programme.

Crease guard:

The drying cycles (except for the WOOL programme) are automatically followed by an anti-crease phase which lasts around 30 minutes. The drum rotates at intervals during this phase. This keeps the laundry loose and free of creases. The laundry can be removed at any time during the anti-crease phase. (The laundry should be taken out towards the end of the anti-crease phase at the latest to prevent creases from forming.)

9 Display

The display shows the following information:

- Duration of the selected programme
- Delayed start
- End of programme
- Incorrect selection of programme options
- Error code

10 Delay start button

By pressing the DELAY START button, the start of a programme can be delayed by between 30 minutes (30') and a maximum of 23 hours (23h).

This option must be selected after having selected the programme and before pressing START/PAUSE to start the programme.

Every time the button is pressed, the time is increased by 30 minutes until the display shows a delay of 2 hours. After this, the delay is displayed hour by hour.

If 23h is displayed and you press the button again, the time delay will be cancelled. The display will show 0' and then the duration of the selected programme.

To activate the count down, the START/PAUSE button has to be pressed. The amount of time remaining until the programme is set to start is continuously displayed (e.g. 12h, 1h, 10h, ... 30' etc).

During the delayed start, it is not possible to change the programme or the delay time selected. To do this, you must first switch off the appliance by setting the programme selector to OFF.

If you wish to add more laundry while the countdown is running, simply open the door. When you close the door, press the START/PAUSE button again to cause the count down to be resumed.

11 Intensity button

For precise setting of the residual moisture content of the laundry, the degrees of dryness +, ++ or +++ can be set in addition to most programmes. Laundry becomes drier from + to +++.

The INTENSITY button must be pressed repeatedly until the light for the residual moisture required is lit.

In the programmes WOOL or SILK further drying can also be set by restarting the programmes with the residual moisture levels +, ++ or +++ set in addition, as required. In the case of a drying cycle with relatively dry laundry, the length of the programme cycle displayed at the beginning is corrected after a while.

Important: Do not over dry wool or silk.

12 Level of dryness

Depending on the selected programme the lights indicate the level of dryness reached while the drying cycle is running. The level of dryness increases from IRON DRY to EXTRA DRY.

Programme Chart

Automatic drying

Type of laundry	Degree of drying required	Max-load ¹⁾
Cottons	Extra dry	6 kg
	Store dry	6 kg
	Cupboard dry	6 kg
	Damp dry	6 kg
	Iron dry	6 kg
	Extra damp	6 kg
Synthetics	Extra dry	3 kg
	Cupboard dry	3 kg
	Iron dry	3 kg
Jeans	Heavy cotton	6 kg
Easy care fabrics	Easy iron	1 kg
Woolen fabrics	Wool	1 kg
Silk	Silk	1 kg
Synthetics	Refresh	1 kg

1) Never overfill the drum (do not load large quilts, for example)

- Easy iron is a special programme with anti-crease mechanism for easy care fabrics such shirts and blouses; for minimum ironing effort. The result depends on the type of fabric and its finish.
- Wool is a special programme for drying woollen fabrics after they have been washed, using warm air at minimum mechanical load. Recommendation: Remove fabrics immediately after drying, as no anti-crease programme follows.
- Silk is a special programme for drying silk using warm air and gentle movement.
- Refresh is a special programme, lasting around 35 minutes, for refreshing or gently cleaning textiles with commercially available dry cleaning products (only use those products which are declared as suitable for the dryer by the manufacturer; please observe the manufacturer's instructions for use).

Time controlled drying

Type of laundry	Drying time	Max-load ¹⁾	Programme selector dial position
Synthetics	30 min	1 kg	30 minutes

1) Never overfill the drum (do not load large quilts, for example)

Drying times vary according to:


- The type of laundry
- The size of the load
- The degree of water extraction obtained during the spin cycle of the washing machine
- The degree of dryness required

Load


It is often difficult to estimate the weight of items to be dried. We therefore recommend that you adopt the following guidelines:

- **cotton, linen:** drum full but not too tightly packed;
- **synthetics:** drum no more than half full;
- **delicate fabrics:** drum no more than one third full.

Using the tumble dryer

 If the appliance was not transported in an upright position, leave it to stand for 12 hours before connecting it to the electricity supply and using it for the first time, so that the oil can flow back to the compressor. Otherwise the compressor could be damaged.


In order to remove any residues which may have been produced during production, wipe the dryer drum with a damp cloth or carry out a brief drying cycle (30 MINUTES) with damp cloths in the machine.


 If the appliance was not transported in an upright position, leave it to stand for 12 hours before connecting it to the electricity supply and using it for the first time, so that the oil can flow back to the compressor. Otherwise the compressor could be damaged.

Switching machine on / switching light on

Turn the programme selector to any programme or turn it to LIGHT. The machine has been switched on. When the door is opened, the drum is illuminated.

Opening loading door / loading laundry

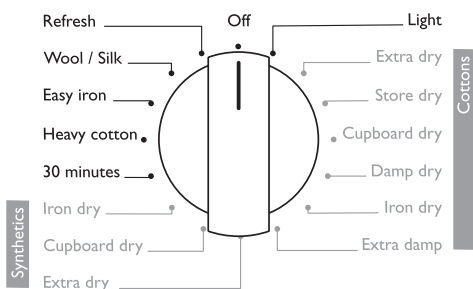
1. Open loading door:
Push against the loading door (push point )
2. Load your laundry (do not force it in/overload the machine).

 **Warning!** Be careful not to trap laundry in between the loading door and rubber seal.

3. Close loading door securely. Lock must audibly lock.

Selecting the programme

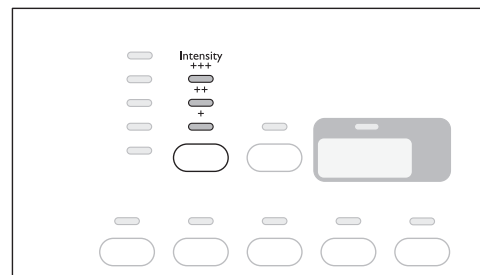
Use the programme selector to set the programme you require. The probable programme run time is displayed (in minutes) on the multi-display.



Selecting additional functions

INTENSITY

For precise setting of the residual moisture content of the laundry, the degrees of dryness +, ++ or +++ can be set in addition to most programmes. Laundry becomes drier from + to +++.

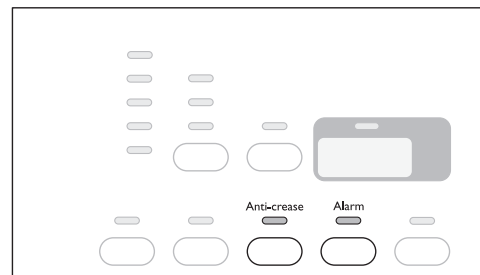


1. Press the INTENSITY button repeatedly until the light for the residual moisture required is lit.

In the programmes WOOL or SILK further drying can also be set by restarting the programmes with the residual moisture levels +, ++ or +++ set in addition, as required. In the case of a drying cycle with relatively dry laundry, the length of the programme cycle displayed at the beginning is corrected after a while.

Important: Do not over dry wool or silk.

ANTI-CREASE




If this additional function is selected, the anti-crease phase at the end of the drying cycle is lengthened by 60 minutes. The laundry can be removed at any time during the anti-crease phase.


ALARM

When the drying cycle has finished, an intermittent acoustic signal will sound.


Setting time delay

 With the DELAY START button, you can delay the start of a programme by between 30 minutes (30') and a maximum of 23 hours (23h).

1. Select the programme
2. Press the DELAY START button as many times as necessary until the required start delay appears on the multi display, e.g. 12h if the programme is to be started in 12 hours. The DELAY START display is illuminated.

 If 23h is displayed and you press the button again, the time delay will be cancelled. The display will show 0' and then the duration of the selected programme.

3. To activate the delay timer, press the START/PAUSE button. The amount of time remaining until the programme is set to start is continuously displayed (e.g. 12h, 11h, 10h, ... 30' etc).


 Until the start of the programme the drum is moved at longish intervals to loosen the laundry.

Starting the programme

Press the START/PAUSE button. The programme is started. The programme progress display and the display showing the level of dryness show drying progress.


Changing programme

To change a programme which has been selected by mistake once the programme has started, first turn the programme selector to OFF and then reset the programme.

 The programme can no longer be changed directly once the programme has started. If nevertheless there is an attempt to change the programme on the programme knob, the programme progress display and the maintenance indicators flash. If an option button (excluding the ALARM button) is pressed, Err appears in the multidisplay. The drying programme is not however affected by this (laundry protection).

Removing laundry or loading laundry when necessary


1. Open loading door

 **Warning!** Laundry and drum can become hot. Risk of burns!

2. Load or remove laundry items.
3. Close the door securely. Lock must audibly lock.
4. Press the START/PAUSE button to continue the drying cycle.

Drying cycle complete / removing laundry

Once the drying cycle is complete, the END and CREASE GUARD indicators light up. If the ALARM button has been pressed, an acoustic signal sounds intermittently.

 The drying cycles (except for the WOOL programme) are automatically followed by an anti-crease phase which lasts around 30 minutes. The drum rotates at intervals during this phase. This keeps the laundry loose and free of creases. The laundry can be removed at any time during the anti-crease phase. (The laundry should be taken out towards the end of the anti-crease phase at the latest to prevent creases from forming.) If ANTI-CREASE has been selected, the anti-crease phase is lengthened by 60 minutes.

1. Open door.
2. Before removing the laundry, remove fluff from the micro-fine filter. It is best to use a damp hand for this purpose. (See "Cleaning and maintenance" section.)
3. Remove laundry.
4. Turn the programme selector to OFF.

Important: After each drying cycle

- Clean the micro-fine filter and fine filter
- Drain the condensed water container (See section "Cleaning and maintenance".)

5. Close door.

Hints & Tips on Drying

Before placing articles of laundry in your tumble dryer, check the care labels to ensure they are recommended for tumble drying.

Care labels you may find on your laundry



may be tumble dried



normal drying (high temperature)



delicate drying (low temperature)



do not tumble dry



Do not overload the appliance

Here is a list of the approximate weight of some common laundry items.

Sheet	700 to 1000 g
Pillowcase	100 to 200 g
Tablecloth	400 to 500 g
Table Napkin	50 to 100 g
Kitchen Towel	700 to 120 g
Linen Hand Towel	100 to 150 g
Hand Towel	150 to 250 g
Bath Towel	700 to 1000 g
Bathrobe	1000 to 1500 g
Shirt	200 to 300 g
Apron	150 to 200 g

- Always load well spun laundry. The higher the spin speed the lower the electricity consumption and the shorter the drying time.
- DO NOT load dripping wet laundry into the dryer. Roll the article in a towel or spin to remove excess water.
- Close poppers and zips and fasten any buttons.
- Sort the laundry. Separate synthetics from cotton/linens, and dry separately.
- Remove the laundry immediately after the programme has finished.
- Use a fabric conditioning sheet to reduce static. We recommend the sheet is pinned to an article of laundry (using a safety pin).
- Mix the load i. e. large and small articles.
- When drying large items such as sheets, we recommend you periodically stop the dryer to redistribute the load.

DO NOT use the tumble dryer to dry the following:

- Articles contaminated with inflammable substances e. g. petrol, cleaning solvents, cooking oil, fats or hair lacquer.
- Very large and bulky items such as duvets or sleeping bags.

Maintenance and Cleaning

You must disconnect the appliance from the electricity supply, before you can carry out any cleaning or maintenance work.

External cleaning

Use only soap and water and then dry thoroughly.

Important: Do not use methylated spirit, diluents or similar products.

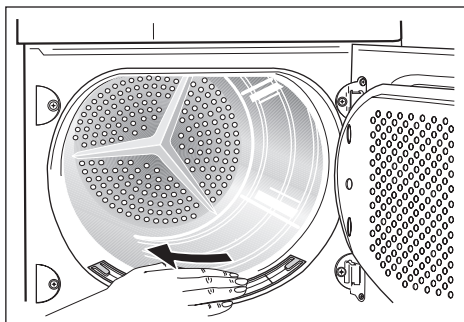
Cleaning the filters

To ensure that the dryer works efficiently, the lint filters (micro-fine filter and fine strainer) must be cleaned after every drying cycle.

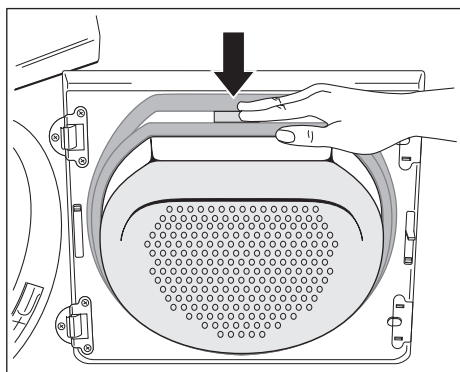


Caution! Never operate the dryer without fluff filters or with damaged or blocked fluff filters.

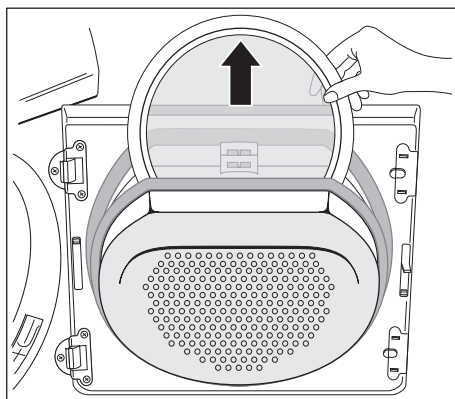
1. Open door
2. Use a damp hand to clean the micro-fine filter, which is built into the lower part of the loading aperture.



3. Push down unlock button on large mesh filter. Large mesh filter elevates.



4. Take out fine strainer.

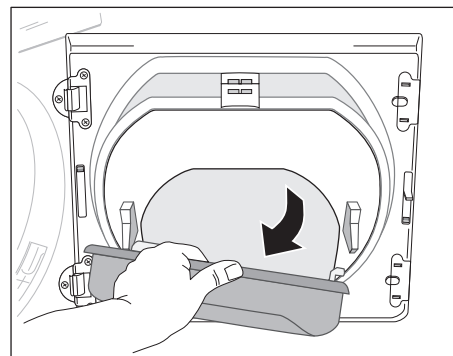


5. Remove fluff from fine strainer. It is best to use a damp hand for this purpose.

Clean the entire filter area

i The strainer area does not have to be cleaned after every drying cycle, but should be checked regularly and cleaned of fluff if necessary.

6. To do this, grip the top of the large mesh filter and pull it forwards until it comes loose from the two brackets.

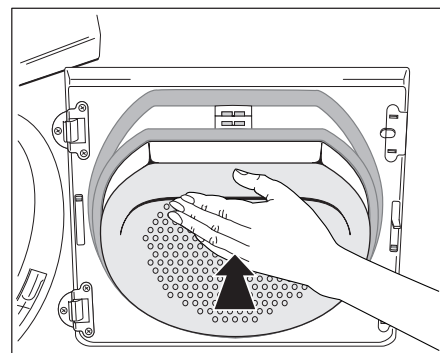


7. Remove fluff from the entire filter area. It is best to use a vacuum cleaner for this purpose.

8. Press both lugs of the large mesh filter into the brackets on the loading door until they snap into place.

9. Re-insert fine strainer.

10. Press against the large mesh filter until it locks into the interlock.



i If the fine strainer is not fitted, the large mesh filter will not snap into place and the door cannot be closed.

Cleaning the door

Clean periodically the interior part of the door to remove any fluff from the seals around the filter. Regular cleaning ensures correct drying.

Cleaning the door seal

Wipe the door seal with a damp cloth immediately after the drying cycle has finished.

Cleaning the fluff filter

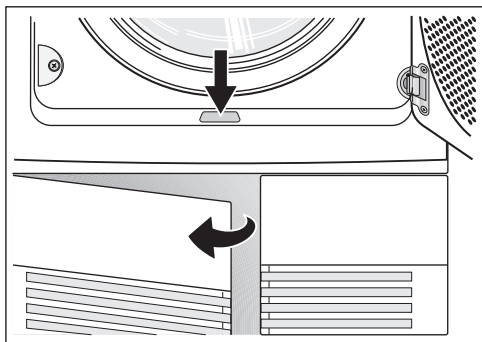
If the indicator PLINTH FILTER lights up, the fluff filter and the filter mat in the base of the appliance must be cleaned.

i To protect the heat pump from dirt, the dryer is fitted with a special filter mat, which is located in the filter housing. Here too large amounts of fluff build up over time, which affect the function of the appliance.

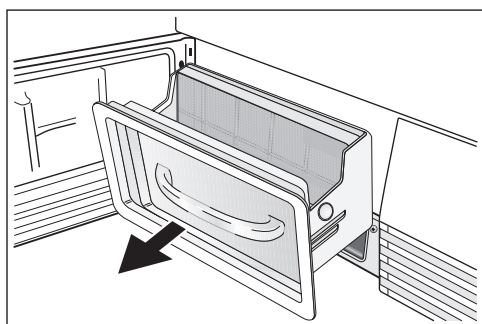
! Important

- Operating when the fluff filter is clogged with fluff can damage the dryer. This also increases energy consumption.
- Never operate the dryer without the fluff filters.
- Do not use the dryer without the filter mat. A dirty heat pump requires more energy and can only be cleaned up by means of a costly process.

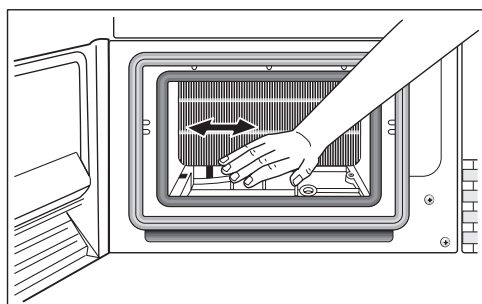
1. Open door.
2. Open door in plinth: To do this, press the release button on the bottom of the door aperture and open the door in the plinth to the left.



3. Pull filter housing out of the base by the handle.

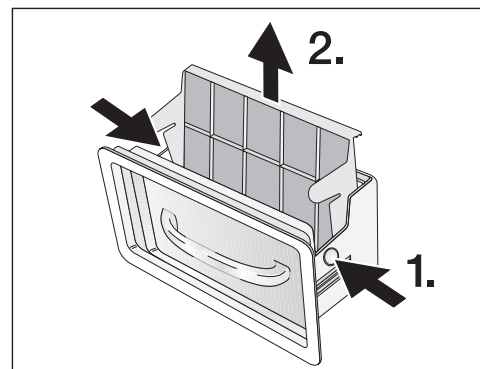


4. Clean the inside of the door, the fluff filter chamber and the rubber seals of fluff.
5. Remove fluff from the fluff filter on the floor of the base with a damp hand.

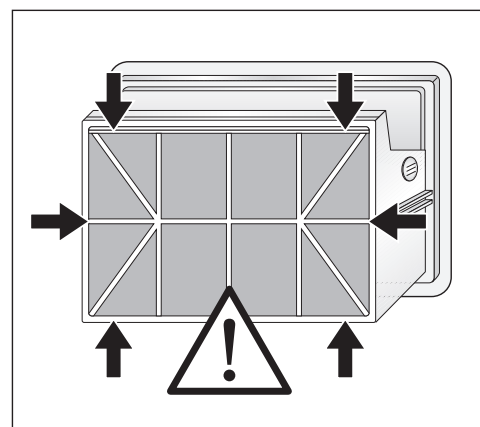


6. To clean the filter mat: Remove filter mat from filter housing. To do this, press

the pressure points on the sides and pull the filter mat and frame up and out of the housing.

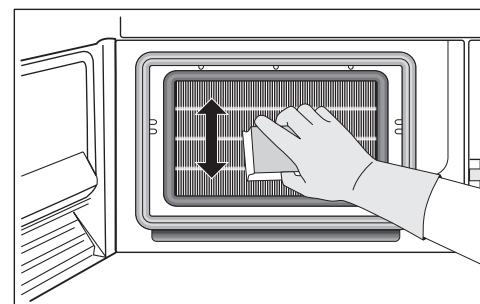


7. Take the filter mat out of the frame and wash it by hand or use a vacuum cleaner; when it is has dried out. Fluff, which has become stuck in the filter mat and has not been removed by washing, does not affect the function.
8. Insert the filter mat in the frame and then insert with the frame into the filter housing.



! **Important:** The filter mat must engage tightly with the frame. Check that the mat is sitting snugly in the frame, especially after inserting it into the filter housing.

9. As necessary, approx. once every 6 months, remove the fluff from the heat exchanger using the sponge supplied. When doing this, please use rubber gloves.



Tip: The fluff can be removed more easily if it is first dampened e. g. with a laundry dampener.

10. Re-insert filter housing along with frame and filter mat in appliance base.

Note: If the filter mat and frame are not inserted in the filter housing, the filter housing cannot be slid into the appliance base.

11. Close door in plinth.

i The indicator PLINTH FILTER only goes out when the programme knob has been positioned to OFF.

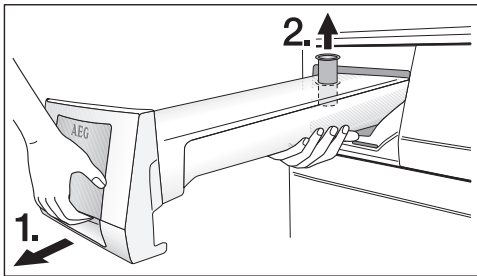
Emptying the water reservoir

Empty water reservoir after every drying cycle.

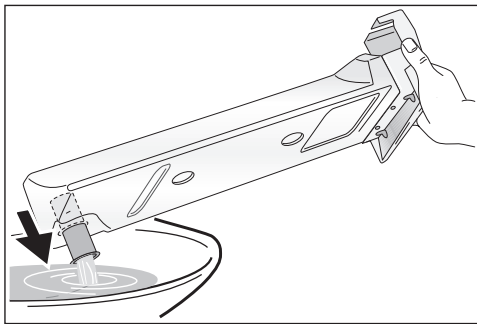
If the water reservoir is full, an active programme will be interrupted automatically and the FULL TANK display will light up. In order to continue the programme, the water reservoir must be emptied.

Warning! The condensed water is not suitable for drinking or for preparing foodstuffs.

1. Take out drawer containing water reservoir completely (1) and pull up the water reservoir's drainage pipe as far as it will go (2).



2. Pour condensed water out into a sink or other suitable container.



3. Slide outlet connections in and refit water reservoir.

If the programme has been interrupted as a result of the water reservoir being full:
Press the START/PAUSE button to continue the drying cycle.

- i** The water reservoir has a volume of approx. 4 litres. This is sufficient for around 6 kg of laundry which has previously been spun at 800 revolutions/minute.
- i** The condensed water can be used as distilled water, e.g. for steam ironing. However first filter it (e.g. with a coffee filter) to remove any residue and small pieces of fluff.
- i** If there is suitable plumbing located nearby, then the drain kit could be fitted. Please refer to page 23.

Cleaning the drum

Warning! Do not use abrasives or steel wool to clean the drum.

i Lime in the water or cleaning agents may form a barely visible lining on the inside of the drum. The degree to which the laundry has been dried is then no longer detected reliably. The laundry is damper than expected when removed from the dryer.

Use a damp cloth, which has been soaked in water and a little vinegar, to wipe the inside of the drum and drum ribs.

Clean operating screen and housing

Warning! Do not use furniture cleaners or aggressive cleaning agents to clean the machine.

Use a damp cloth to wipe down the operating screen and housing.

Changing the bulb for interior lighting

Only use a special bulb which is designed specially for dryers. The special bulb can be obtained from the Customer Care Department, ET no. 112 552 000-5.

i **Important:** When the appliance is switched on, the interior lighting switches itself off after 5 minutes when the door is open.

Warning! Do not use standard bulbs! These develop too much heat and may damage the appliance.

Warning! Before replacing the bulb, disconnect the mains plug; with a permanent connection: fully unscrew or deactivate the fuse.

1. Unscrew cover above the bulb (this can be found directly behind the loading aperture, at the top; refer to "Description of machine" section.)
2. Replace defective bulb.
3. Screw cover back down.

Warning! For safety reasons, the cover must be screwed down tightly. If this is not done, the dryer must not be operated.

Programming options

Objective	Implementation
<p>Permanently programme on the audible signal which reminds you that the programme is complete.</p>	<ol style="list-style-type: none"> 1. Turn the programme selector to any programme. 2. Press the ALARM button and hold down for approx. 5 seconds. A brief signal sounds several times. The ALARM display flashes several times. The setting is permanently programmed. <p>The setting is cancelled as described under 1 and 2.</p>
<p>Adjust “level of dryness” detection: If you wish the laundry to be slightly drier or slightly damper at the end of the programme than with the standard setting.</p>	<ol style="list-style-type: none"> 1. Turn the programme selector to any programme. 2. Press the SILK and ALARM buttons at the same time and hold down for approx. 5 seconds. The current setting appears on the multi-display: <ul style="list-style-type: none"> – : Setting for drier laundry – : Standard setting – : Setting for damper laundry 3. Press the START/PAUSE button until the setting required appears on the multi-display. 4. Turn the programme selector to OFF. The setting is permanently programmed.
<p>To deactivate the FULL TANK display when using an external drain for the condensed water.</p>	<ol style="list-style-type: none"> 1. Turn the programme selector to any programme. 2. Press the WOOL and ANTI-CREASE buttons at the same time and hold down for approx. 5 seconds. The multi-display briefly displays "" The FULL TANK display is permanently deactivated. <p>The setting is cancelled as described under 1 and 2; the multi-display however briefly displays "" (rather than "").</p>

Something Not Working

If the tumble dryer is not working correctly, please carry out the following checks before contacting your local Service Force Centre.

If, during operation, the error code (E plus number or letter) appears on the multi-display: Switch the appliance off and on again. Reset programme. Press the START/PAUSE button.

If the error is still displayed, please inform your local Service Force Centre and quote the error code.

IMPORTANT: If you call an engineer to a fault listed below, or to repair a fault caused by incorrect use or installation a charge will be made even if the appliance is under guarantee.

Symptom	Possible cause	Solution
Dryer does not work.	Mains plug is not plugged in or fuse is not working correctly.	Plug in at mains socket. Check fuse in fuse box (domestic installation).
	Loading door is open.	Close loading door.
	Have you pressed the START/PAUSE button?	Press the START/PAUSE button again.
Drying results unsatisfactory.	Wrong programme selected.	Select a different programme the next time you dry (see "Programme Chart" section).
	Lint filters clogged.	Clean lint filters.
	Fluff filter clogged.	Clean fluff filter.
	Overloading of laundry.	Observe recommended loading volumes.
	Ventilation slots in base area covered up.	Uncover ventilation slots in base area.
	Residue on inside surface of drum or drum ribs.	Clean inside surface of drum and drum ribs.
		Make an adjustment using the INTENSITY function (see chapter "Drying, Selecting additional functions").
Loading door does not close.	Fine strainer not in place and/or large mesh filter not locked in place.	Install fine strainer and/or snap large mesh filter into place.
When a button is pressed, Err appears in the multi-display.	Washing protection. After the start of the programme, the option can no longer be set.	Turn the programme knob to OFF. Set the programme again.
Drum light does not work.	Programme selector in OFF position.	Turn programme selector to LIGHT or to any programme.
	Defective light bulb.	Replace light bulb (see next section).
Programme time displayed changes erratically or stays unchanged for a long time.	Programme time is corrected automatically depending on type and volume of laundry and level of dampness.	Automatic process; this is not a machine fault.
Programme inactive, FULL TANK display illuminated.	Condensate tank is full.	Empty condensate tank, then start programme with START/PAUSE button.
Drying cycle ends shortly after programme starts. END display illuminated.	Not enough washing loaded or washing loaded is too dry for selected programme.	Select time programme or higher drying level (e.g. STORE DRY instead of CUPBOARD DRY).
Drying cycle lasts an unusually long time. Note: After around 5 hours the drying cycle ends automatically (see „Drying cycle complete“).	Lint filter clogged.	Clean lint filter.
	Fluff filter in the base clogged.	Clean fluff filter.
	Load volume too big.	Reduce load volume.
	Laundry insufficiently spun.	Laundry must be adequately spun.
	Particularly high room temperature. Temporary switching off of the compressor to avoid overload.	Automatic process, there is no fault with the appliance. If possible, lower the room temperature.

Repairs - After Sales Service

In the unlikely event of your appliance requiring service, or if you wish to purchase spare parts, please contact our extended warranty administrators by telephoning:

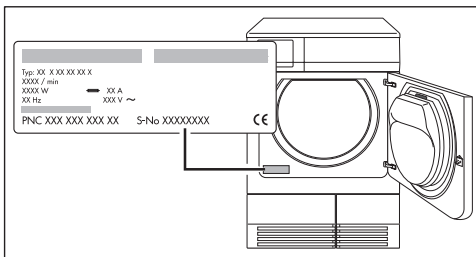
0870 01 07887

They will give you details for your local Service Force Centre.

Before calling out an engineer, please ensure you have read the details under the heading „Something not Working“.

When you contact the Service Force Centre you will need to give the following details:

1. Your name, address and post code
2. Your telephone number
3. Clear and concise details of fault
4. The model and serial number of the appliance (found on the rating plate - see picture)
5. The purchase date found on your receipt



Please note that a valid purchase receipt is required for in-guarantee service calls.

So that you always have these numbers at hand, we recommend you to make a note of them here:

Mod.:

PNC:

S.N.:

Your dryer is covered by a 3 year parts and labour guarantee (see separate details given at point of sale). Please retain your purchase receipt safely for the service ingeneer to verify the purchase details.

Spare Parts

Always insist on genuine spare parts.

An authorised service engineer should service this product, and only genuine spare parts should be used.

Under no circumstances should you attempt to repair the machine yourself. Repairs carried out by inexperienced persons may cause injury or serious malfunctioning. Contact your local Service Force Centre.

An authorised service engineer always insist on genuine spare parts.

John Lewis Partnership
171 Victoria Street
London SW1E 5NN
www.johnlewis.com

Free Manuals Download Website

<http://myh66.com>

<http://usermanuals.us>

<http://www.somanuals.com>

<http://www.4manuals.cc>

<http://www.manual-lib.com>

<http://www.404manual.com>

<http://www.luxmanual.com>

<http://aubethermostatmanual.com>

Golf course search by state

<http://golfingnear.com>

Email search by domain

<http://emailbydomain.com>

Auto manuals search

<http://auto.somanuals.com>

TV manuals search

<http://tv.somanuals.com>