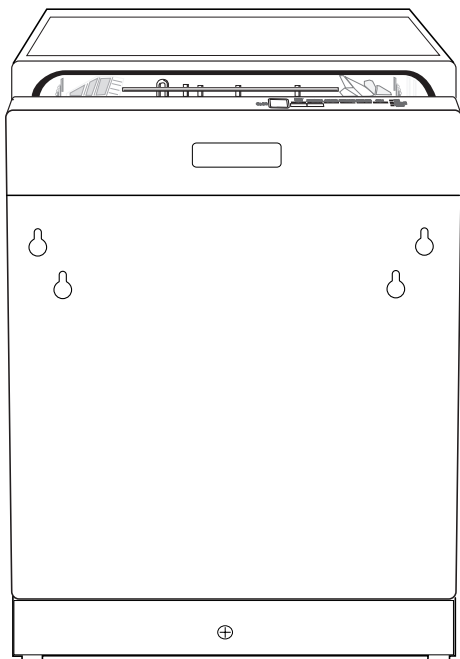


JLBIDW 1201 Dishwasher

Instruction manual



John Lewis



Important safety information

It is most important that this instruction book should be retained with the appliance for future reference. Should the appliance be sold or transferred to another owner, or should you move house and leave the appliance, always ensure that the book is supplied with the appliance in order that the new owner can get to know the functioning of the appliance and the relevant warnings.

These warnings have been provided in the interest of safety. You **MUST** read them carefully before installing or using the appliance. If you are unsure of the meanings of these warnings contact the John Lewis branch from which you purchased the appliance.



In the interest of your safety and to ensure the correct use, before installing and first using the appliance, read this user manual carefully, including its hints and warnings. To avoid unnecessary mistakes and accidents, it is important to ensure that all people using the appliance are thoroughly familiar with its operation and safety features. Save these instructions and make sure that they remain with the appliance if it is moved or sold, so that everyone using it through its life will be properly informed on appliance use and safety.

If you are unsure of the meanings of these warnings contact the John Lewis branch from which you purchased the appliance.

- Check the appliance for any transport damage. Never connect a damaged machine. If the appliance is damaged contact your supplier.
- All packaging must be removed before use.
- Any electrical work required to install this appliance must be carried out by a qualified electrician.
- Any plumbing work required to install this appliance must be carried out by a qualified plumber.
- For safety reasons it is dangerous to alter the specifications or attempt to modify this product in any way.
- Never use the appliance if the electrical supply cable and water hoses are damaged; or if the control panel, work top or plinth area are damaged such that the inside of the appliance is freely accessible. Contact your local repair agent, in order to avoid hazard.
- All sides of the appliance must never be drilled to prevent damage to hydraulic and electric components.

Installation

- This appliance is heavy. Care should be taken when moving it.



For electrical and water connection carefully follow the instructions given in the specific paragraphs.

- Under no circumstances should you attempt to repair the appliance yourself. Repairs carried out by inexperienced persons could cause injury or serious malfunctioning. Contact your local repair agent. Always insist on genuine spare parts.

Child safety

- This appliance is designed to be operated by adults. Children should not be allowed to tamper with the controls or play with the appliance.
- Keep all packaging well away from children. There is a risk of suffocation.
- Keep all detergents in a safe place out of children's reach.
- Keep children well away from the appliance when the door is open.

Correct use

- This appliance is only intended for washing household utensils suitable for machine washing.
- Do not put any solvents in the appliance. This could cause an explosion.
- Knives and other items with sharp points must be loaded in the cutlery basket with their points down or placed in a horizontal position in the upper basket.
- Only use products (detergent, salt and rinse aid) suitable for dishwashers.
- Avoid opening the door whilst the appliance is in operation, hot steam may escape.
- Do not take any dishes out of the appliance before the end of the washing programme.
- After use, isolate the appliance from the power supply and turn off the water supply.
- This product should be serviced only by an authorised service engineer, and only genuine spare parts should be used.

General safety

- Persons (including children) with reduced physical sensory, mental capabilities or lack of experience and knowledge must not use the appliance. They must have supervision or instruction for the operation of the appliance by a person responsible for their safety.
- Dishwasher detergents can cause chemical burns to eyes, mouth and throat. Could endanger life! Comply with the safety instructions of the dishwasher detergent manufacturer.
- The water in your appliance is not for drinking. Detergent residue may still be present in the appliance.
- Ensure that the appliance door is always closed when it is not being loaded or unloaded. In this way you will avoid anybody tripping over the open door and hurting themselves.
- Do not sit or stand on the open door.

Maintenance and cleaning

- For information on maintenance and cleaning your appliance see the specific chapter in this instruction manual.

Service

- This product should be serviced by an authorised service engineer and only genuine spare parts should be used.



Ecological hints

To save water and energy and help protect the environment, we recommend that you follow these hints:

- Ensure that the water softener is correctly adjusted.
- Do not prewash under running water.
- Select the washing programme to suit the nature and degree of the soil on the dishes.
- Do not use more detergent, dishwasher salt and rinse aid than is recommended in these operating instructions and by the manufacturer of the respective product.
- **Half load:** This function is useful and economical when the basket are not fully loaded.

Environmental information

The packaging materials are environmentally friendly and can be recycled. The plastic components are identified by markings (e.g.

>PE<, >PS<) . Please dispose of the packaging materials in the appropriate container at the community waste disposal facilities.



When a unit is no longer being used:

- Pull the mains plug out of the mains socket.
 - Cut off the mains cable and the mains plug and dispose of them.
 - Dispose of the door catch. This prevents children from trapping themselves inside and endangering their lives.
-

Contents

For the user

Important safety information 2

Description of the appliance 6

Control panel 7

Start/Cancel button 7

Washing programmes 9

When the appliance is first installed 10

The water softener 10

Filling with salt 12

Filling with rinse aid 12

Daily use 13

Loading cutlery and dishes 13

Use of detergent 16

Select and start a washing programme 18

Unloading the appliance 19

Maintenance and cleaning 19

Cleaning the filters 19

Cleaning the appliance 20

Prolonged periods of non-operation 21

Frost precautions 21

Moving the appliance 21

Something not working 21

For the installer

Technical data 24

Installation 24

Water connection 25

Electrical connection 27

Repairs - after sales service 28

Guide to use the instruction manual

The following symbols will be found in the text to guide you throughout the instructions:



Safety instructions

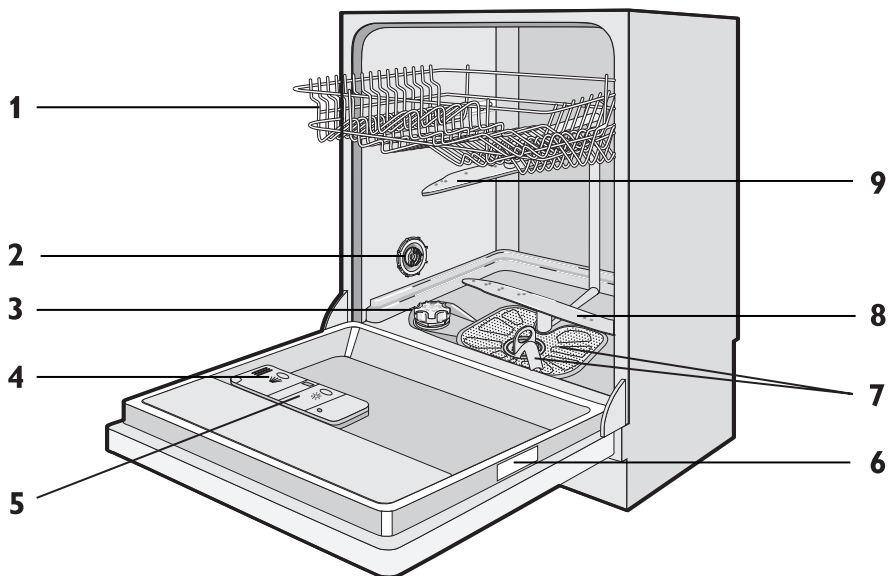


Hints and tips



Environmental information

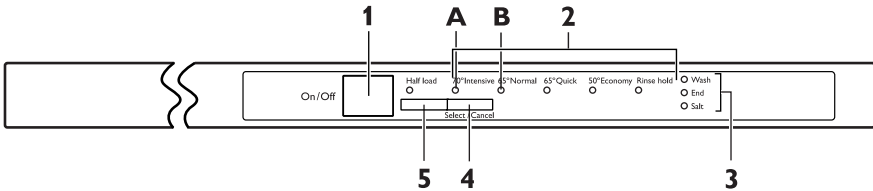
Description of the appliance



- | | |
|------------------------|--------------------|
| 1. Upper basket | 6. Rating plate |
| 2. Water hardness dial | 7. Filters |
| 3. Salt container | 8. Lower spray arm |
| 4. Detergent dispenser | 9. Upper spray arm |
| 5. Rinse aid dispenser | |

Control panel

i The controls are on the top on the control panel. To operate with the controls, keep the appliance door ajar.



1. On/off button
2. Programme indicators
3. Indicators
4. Start/Cancel button
5. Half load button

On/off button

Press this button to switch on or off the appliance.

Indicators

In addition to the programme indicators other indicators help you in the use of your appliance.

Wash	<ul style="list-style-type: none"> • The indicator comes on when you select a washing programme. • The indicator stays on for all the duration of the washing programme. • The indicator goes off when the washing programme is completed.
-------------	---

End

The indicator comes on:

- When the washing programme is completed.
- When you adjust the level of the water softener.
- When you activate or deactivate the acoustic signals.
- When there is a malfunction of the appliance.

Salt

The indicator comes on when the salt has run out. ¹⁾
The salt indicator can remain on for a few hours after that salt has been replenished (assuming the appliance remains switched on). The operation of the appliance is not affected.

1) The salt indicator comes never on while a washing programme is running even if filling with salt is necessary.

Start/Cancel button

With this button you can:

- Select a washing programme.
- Adjust the level of the water softener.
- Activate or deactivate the acoustic signals.
- Cancel a washing programme in progress.

Half load button

This function is useful and economical when baskets are not fully loaded. It decreases the duration of the programme and reduces the consumption of water and energy.

Remember to load both baskets.

When using the Half load function we recommend that you reduce the dose of detergent that is normally used for a complete load.

Set the Half load function before the start of a washing programme. It is not possible to set the Half load while a washing programme is in progress.

The Half load function is not available for all washing programmes. Refer to 'Washing programmes'. Press the half load button to activate the function. If the function is available, the related indicator comes on

Programme indicators A and B

These indicators have also an auxiliary function in the following operations:

- Adjustment of the level of the water softener.
- Activation or deactivation of the acoustic signals.

Setting mode

The appliance must be in setting mode for these operations:

- To start a washing programme.
- To adjust electronically the level of the water softener.
- To activate or deactivate the acoustic signals.

Switch on the appliance. The appliance is in setting mode when:

- All the programme indicators are off and the End indicator flashes.

Switch on the appliance. The appliance is not in setting mode when:

- Only one programme indicator is on.
 - Cancel the washing programme to go back to the setting mode. Refer to 'Select and start a washing programme'.

Acoustic signals

The acoustic signals indicate that:

- The washing programme is completed.
- The appliance has a malfunction.



Factory setting: on.

Deactivating the acoustic signals

1. Switch on the appliance. Make sure that the appliance is in setting mode.
2. Press and hold the Start/Cancel button until the programme indicator **(A)** flashes and the programme indicator **(B)** comes on.
3. Press immediately the Start/Cancel button. The programme indicator **(A)** comes on and the programme indicator **(B)** starts to flash.
4. After a few seconds, the programme indicator **(A)** goes off and the End indicator comes on. The programme indicator **(B)** continues to flash.
5. Press the Start/Cancel button, the End indicator goes off. The acoustic signals are deactivated.
6. Switch off the appliance to confirm the operation.

Activating the acoustic signals

- To activate the acoustic signals again, do steps (1) through (4). The programme indicator (**A**) goes off and the End indicator is off. The programme indicator (**B**) continues to flash.
- Press the Start/Cancel button again. The End indicator comes on. The acoustic signals are activated.
- Switch off the appliance to confirm the operation.

Washing programmes

Programme	Degree of soil and type of load	Programme description	Half load function
70° Intensive	Heavy soil. Crocery, cutlery, pots and pans.	Prewash Wash 70 °C Rinses Dry	YES
65° Normal	Normal soil. Crocery and cutlery.	Prewash Wash 65 °C Rinses Dry	YES
65° Quick ¹⁾	Normal or light soil. Crocery and cutlery.	Wash 65 °C Rinse	NO
50° Economy ²⁾	Normal soil. Crocery and cutlery.	Prewash Wash 50 °C Rinses Dry	YES
Rinse hold	Any soil. Partial load (to be completed later in the day). This programme does not require the use of detergent.		NO

1) Ideal for washing a partially loaded dishwasher. This is the perfect daily programme, made to meet the needs of a family of **4 persons** who only wish to load breakfast and dinner crocery and cutlery.

2) This is the standard programme for test institutes. With this programme you have the most efficient use of water and energy consumption for crocery and cutlery with normal soil. .

Consumption values

Programme	Programme time (minute)	Energy (kWh)	Water (litre)
70° Intensive	85 - 95	1.8 - 2.0	22 - 25
65° Normal	100 - 110	1.4 - 1.6	19 - 21
65° Quick	30	0.9	9

Programme	Programme time (minute)	Energy (kWh)	Water (litre)
50° Economy	130 - 140	1.0 - 1.2	14 - 16
Rinse hold	12	0.1	5

i The consumption values are intended as a guide. They depend on the pressure and the temperature of the water, on the variations of the power supply and on the quantity of the dishes.

When the appliance is first installed

Before using the appliance for the first time:

- Ensure that the electrical and water connections comply with the installation instructions
- Remove all packaging from inside the appliance.
- Check if the factory set of the water softener complies with the water hardness in your area. If not, adjust the level of the water softener.
- Pour 1 litre of water into the salt container and then fill with dishwasher salt.
- Fill the rinse aid dispenser.

have a detrimental or adverse effect on the operation of the appliance.

The higher the content of these minerals and salts, the harder your water is. Water hardness is measured in equivalent scales, Clarke degrees, French degrees (°TH) and mmol/l (millimol per litre - international unit for the hardness of water).

The softener should be adjusted according to the hardness of the water in your area. Your local Water Authority can advise you on the hardness of the water in your area.

The water softener

The appliance is equipped with a water softener designed to remove minerals and salts from the water supply, which would

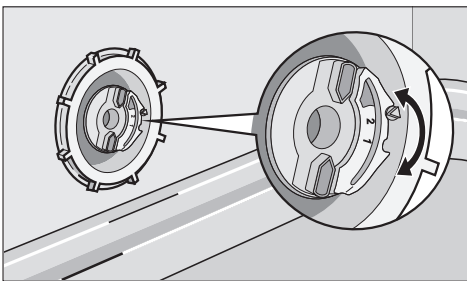
Water hardness			Adjustment of the water softener		Use of salt
Clarke	°TH	mmol/l	manually	electronically	
64 - 88	91 - 125	9.1 - 12.5	2	level 10	yes
53 - 63	76 - 90	7.6 - 8.9	2	level 9	yes
46 - 52	65 - 75	6.5 - 7.5	2	level 8	yes
36 - 45	51 - 64	5.1 - 6.4	2	level 7	yes
28 - 35	40 - 50	4.0 - 5.0	2	level 6	yes
23 - 27	33 - 39	3.3 - 3.9	2	level 5	yes
18 - 22	26 - 32	2.6 - 3.2	1	level 4	yes
13 - 17	19 - 25	1.9 - 2.5	1	level 3	yes
5 - 12	7 - 18	0.7 - 1.8	1	level 2	yes
< 5	< 7	< 0.7	1	level 1	no

i The water softener must be set in two ways, manually and electronically.

Setting manually

The appliance is factory set at position 2.

1. Open the appliance door.
2. Remove the lower basket from the appliance.
3. Turn the water hardness dial to position 1 or 2. Refer to the water hardness table.
4. Replace the lower basket.



Setting electronically

The appliance is factory set at level 5.

1. Switch on the appliance. Make sure that the appliance is in setting mode.
2. Press and hold the Start/Cancel button until the programme indicator **(A)** starts to flash and the programme indicator **(B)** comes on.
3. When the programme indicator **(B)** goes off and the End indicator starts to flash, press the Start/Cancel button. The programme indicator **(A)** starts to flash, the electronic adjustment of the water softener is now activated.
4. The number of flashes of the End indicator indicates the current setting of the water softener (e.g. 5 flashes of the End indicator / pause / 5 flashes of the End indicator = level 5)
5. To change the level, press the Start/Cancel button. Each time the button is pressed the level increases. Refer to the water hardness table.

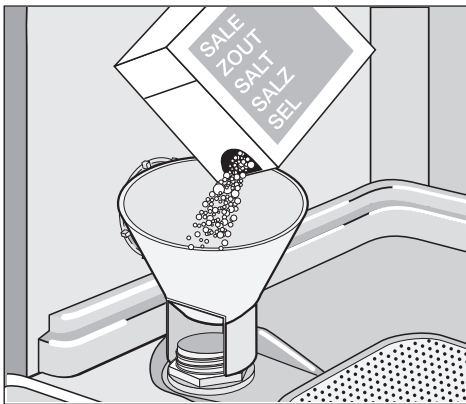
- Switch off the appliance to confirm the operation.

Filling with salt



Caution! Only use salt specifically designed for dishwasher use. All other types of salt, especially table salt, will damage the water softener. Only fill with salt just before starting one of the complete washing programmes. This will prevent any grains of salt or salty water, which may have been spilt, to remain on the bottom of the appliance for any period of time and cause corrosion.

- Open the appliance door and remove the lower basket.
- Unscrew the cap of the salt container by turning it anticlockwise.
- Pour 1 litre of water into the container (this is necessary only before filling with salt for the first time).
- Using the funnel provided, pour in the salt until the container is full.



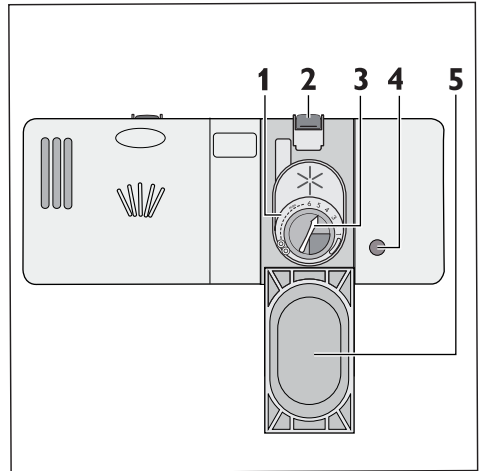
- Screw on the cap of the salt container by turning it clockwise until it stops with a click. Make sure that there is no trace of

salt on the screw thread or on the gasket.



Do not worry if water overflows from the unit when filling with salt, this is quite normal.

Filling with rinse aid




Caution! Only use branded rinse aid for dishwashers. Never fill the rinse aid dispenser with any other substances (e.g. dishwasher cleaning agent, liquid detergent). This would damage the appliance.



Rinse aid ensures thorough rinsing, and spot and streak free drying. Rinse aid is automatically added during the last rinse.

- Press the release button (2) to open the lid (5) of the rinse aid dispenser.
- Fill the rinse aid dispenser (1) with rinse aid. The maximum level for filling is indicated by 'max'.

3. Clean up any rinse aid spilt during filling with an absorbent cloth to avoid excess foaming during the next washing programme.
4. Close the rinse aid dispenser. Press the lid until it locks into position.

 Fill the rinse aid dispenser when the indicator **(4)** becomes clear.

You can set the rinse aid dosage between position 1 (lowest dosage) and position 6 (highest dosage).
Turn the rinse aid selector **(3)** to increase or reduce the dosage.

Adjusting the rinse aid dosage

The factory set in position 4.

Daily use

- Check if it's necessary to refill with dishwasher salt or rinse aid.
- Open the door, slide out the baskets and load cutlery and dishes.
- Fill the detergent dispenser with detergent.
- Select a washing programme suitable for the degree of soil and the type of load.
- Start the washing programme.
- Dishes and cutlery must not impede the rotation of the spray arms.
- Load hollow items with the opening downwards so that water cannot collect in the container or a deep base.
- Dishes and items of cutlery must not lie inside one another or cover each other.
- To avoid damage to glasses, they must not touch.
- Lay small objects in the cutlery basket.
- Plastic items and pans with non stick coatings have a tendency to retain water drops. These items will not dry as well as porcelain and steel items.
- Light items (e.g. plastic bowls) must be loaded in the upper basket and arranged so they do not move.

Loading cutlery and dishes

Sponges, household cloths and any object that can absorb water must not be washed in the appliance.

- Remove all left over food and debris from dishes.
- Soften remnants of burnt food in pans.

For washing in the dishwasher the following cutlery and dishes

are not suitable:

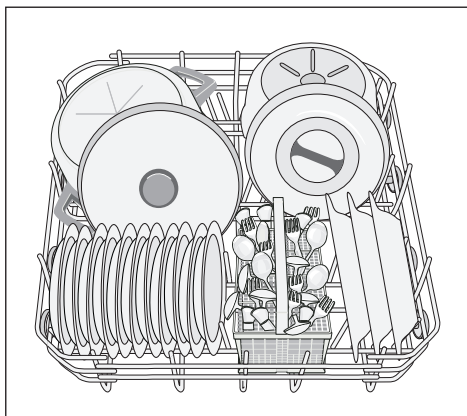
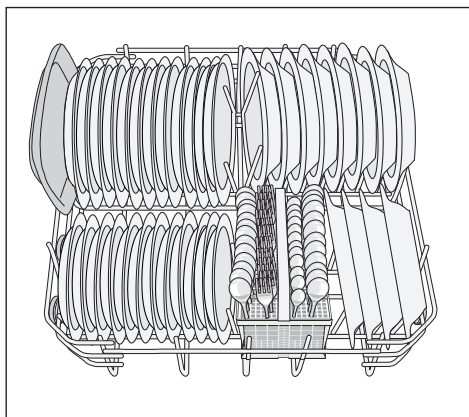
- Cutlery with wooden, horn, china or mother-of-pearls handles.
- Plastic items that are not heat resistant.
- Older cutlery with glued parts that are not temperature resistant.
- Bonded cutlery items or dishes.
- Pewter or copper items.
- Lead crystal glass.
- Steel items prone to rusting.
- Wooden platters.
- Items made from synthetic fibres.

are of limited suitability:

- Only wash stoneware if it is specially marked as being dishwasher-safe by the manufacturer.
- Glazed patterns may fade if machine washed frequently.
- Silver and aluminium parts have a tendency to discolour during washing: Residue, e.g. egg white, egg yolk and mustard often cause discolouring and staining on silver. Therefore always clean left-overs from silver immediately, if it is not to be washed straight after use.

The lower basket

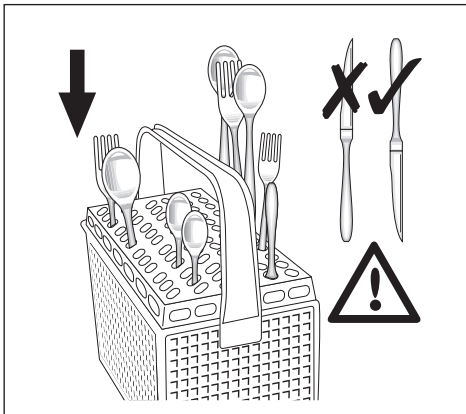
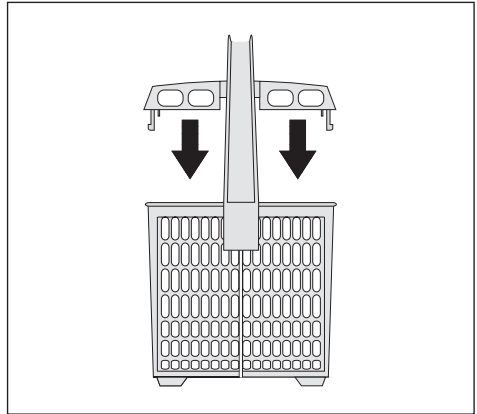
The lower basket is designed to take pots, pans, lids, dishes, salad bowls and cutlery. Serving dishes and large lids should be arranged around the edge of the basket, ensuring that the spray arms can turn freely.



The cutlery basket



Warning! Knives with long blades, stored in an upright position, are a potential hazard. Long and/or sharp items of cutlery such as carving knives must be positioned horizontally in the upper basket. Take care when loading or unloading sharp items such as knives. Forks and spoons should be placed in the removable cutlery basket with the handles facing downwards and the knives with their handles facing upwards



Mix spoons with other cutlery to prevent them from sticking together.

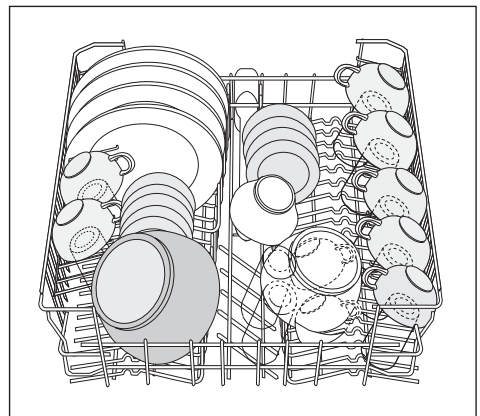
For best results we recommend you use the cutlery grid. If the size and dimensions of the cutlery do not allow the use of the grid, this can be easily removed.

The upper basket

The upper basket is designed for plates (dessert plates, saucers, dinner plates of up to 24 cm in diameter), salad bowls, cups and glasses.

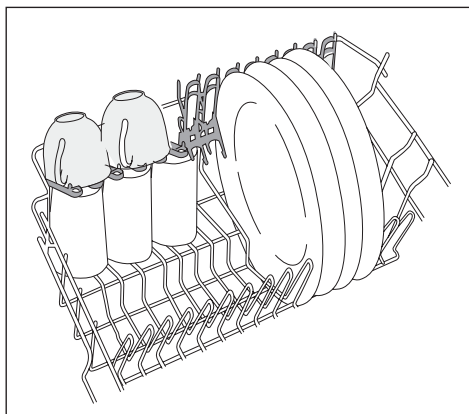
Arrange items on and underneath the cup racks so that water can reach all surfaces.

Avoid to put plates in the first three sectors in the front part of the basket. Make sure the plates tilt forwards.

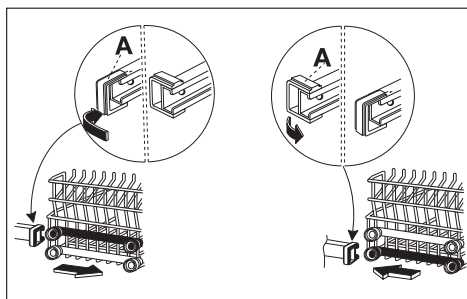


Glasses with long stems can be placed upside down in the cup racks.

For taller items, the cup racks can be folded upwards.



Caution! Ensure that the spray arms can rotate freely before you close the appliance door.



3. Slide the basket in again on the higher position.
4. Turn the stops (A) of the front runners back to their original position.



Caution! When the basket is in the higher position do not put cups on the cup racks.



Warning! Always close the appliance door after loading the baskets. An open door can be a hazard.

Adjusting the height of the upper basket

If washing very large plates you can load them in the lower basket after moving the upper basket to the higher position.

Maximum height of the dishes		
	In the upper basket	In the lower basket
With upper basket in the higher position	20 cm	31 cm
With upper basket in the lower position	24 cm	27 cm

Moving the upper basket to the higher position

1. Turn the stops (A) of the front runners outwards.
2. Slide the basket out.

Use of detergent

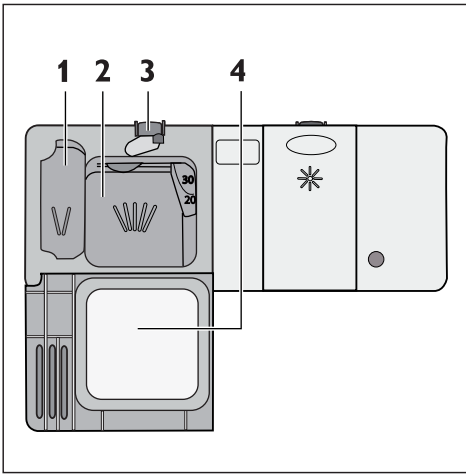


Caution! Only use detergents specifically designed for use in dishwashers. Please observe the dosing and storage recommendations as stated on the detergent packaging.



Using no more than the correct amount of detergent contributes to reducing pollution.

Fill with detergent



1. Press the release button (3) to open the lid (4) of the detergent dispenser.
2. Put the detergent in compartment (2).
3. If the washing programme has a prewash phase, put a small quantity of detergent in compartment (1).
4. If you use detergent tablets, put the tablet in compartment (2).
5. Close the lid. Make sure that it locks into position.



Detergent tablets from different manufacturers dissolve at different rates. For this reason, some detergent tablets do not attain their full cleaning power during short washing programmes. Therefore, please use long washing programmes when using detergent tablets, to ensure the complete removal of detergent residual.

Using combi detergent tablets

When you use tablets, that contain salt and rinse aid, do not fill the salt container and rinse aid dispenser.

Be sure that these tablets are applicable for the water hardness in your area (refer to the instructions on the packaging of the products).

1. Adjust manually and electronically the water softener to the lowest level.
2. Set the dosage of rinse aid dispenser to the lowest position.

Using again separately detergent, salt and rinse aid

1. Fill the salt container and the rinse aid dispenser.
2. Adjust manually and electronically the water softener to the highest level.
3. Start a washing programme without dishes.
4. When the washing programme is completed, adjust the water softener to the water hardness in your area.
5. Adjust the rinse aid dosage.

Select and start a washing programme

Starting the washing programme

1. Switch on the appliance. Make sure that the appliance is in setting mode.
2. Select a washing programme. Refer to 'Washing programmes'.
 - The related programme indicator comes on.
3. Close the appliance door, the washing programme starts automatically.



Warning! Interrupt or cancel a washing programme in progress only if it's absolutely necessary. Hot steam may escape when the appliance door is opened. Open the door carefully.

Interrupting a washing programme in progress

1. Open the appliance door. The washing programme stops.
2. Close the appliance door. The programme continues from the point at which it was interrupted.

Cancelling the washing programme

If the washing programme has not yet started, you can change the selection.

When a washing programme is in progress, you cannot change the selection. You have to cancel the programme to make a new selection.

1. Press and hold the Start/Cancel button until the indicator of the programme in progress goes off and the End indicator starts to flash.
2. Release the Start/Cancel button, the washing programme has been cancelled.



Make sure that there is detergent in the detergent dispenser before you start a new washing programme.

End of the washing programme

When the washing programme is completed, an intermittent acoustic signal sounds.

1. Open the appliance door.
 - The End indicator is on.
2. Switch off the appliance.



Leave the door ajar and wait a few minutes before removing the dishes. In this way they will be cooler and the drying will be improved.



It is recommended that the appliance is unplugged and the water tap turned off when the washing programme is completed.


Unloading the appliance

- Hot dishes are sensitive to knocks. The dishes should therefore be allowed to cool down before removing from the appliance.
- Empty the lower basket first and then the upper one; this will avoid water dripping from the upper basket onto the dishes in the lower one.
- Water may appear on the sides and the door of the appliance as the stainless steel will eventually become cooler than the dishes.

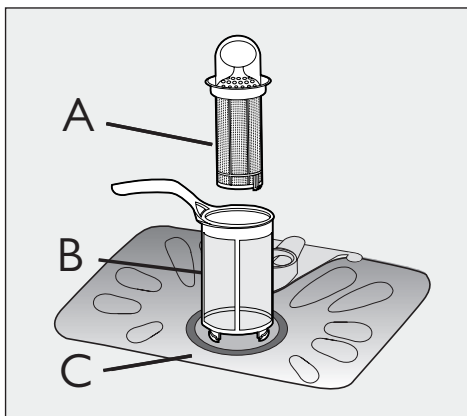
Maintenance and cleaning

Cleaning the filters

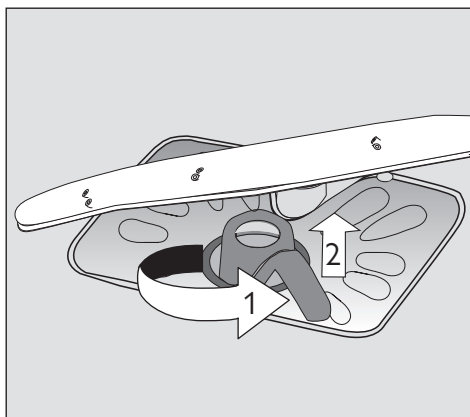
The filters must be checked and cleaned from time to time. Dirty filters will degrade the washing result.

 **Warning!** Before cleaning the filters ensure that the appliance is switched off.

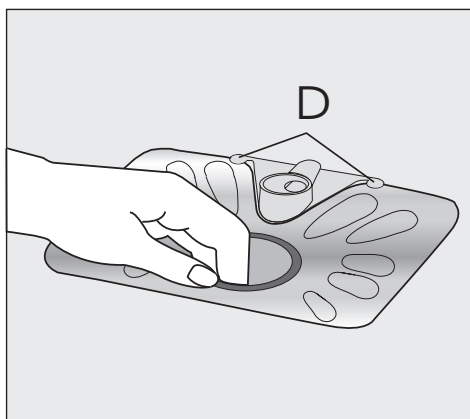
1. Open the appliance door and remove the lower basket.
2. The filter system has a coarse filter (**A**), a micro-filter (**B**) and a flat filter (**C**).



3. Turn the handle of the micro-filter (**B**) about 1/4 a turn anticlockwise to unlock it.

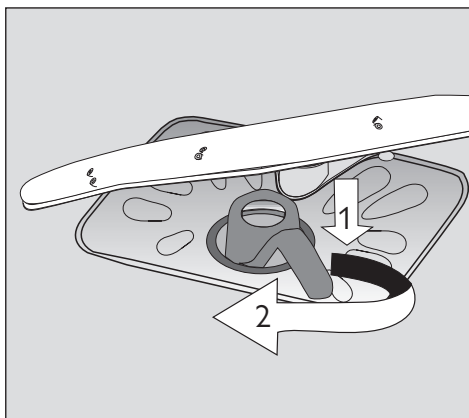


4. Remove the micro-filter **(B)** out of the flat filter **(C)**.
5. Take hold of the coarse filter **(A)** by the handle with the hole and remove from the micro-filter **(B)**.
6. Thoroughly clean both filters under running water.
7. Remove the flat filter **(C)** from the base of the washing compartment. Clean both faces thoroughly under running water.
8. Put the flat filter **(C)** back in the base of the washing compartment and ensure that it fits perfectly under the two guides **(D)**.



9. Place the coarse filter **(A)** in the micro-filter **(B)** and press together.

10. Put the coarse filter **(B)** in place and turn the handle clockwise to the lock into place. During this process ensure that the flat filter **(C)** does not protrude above the base of the washing compartment.



Caution! Never use the appliance without filters. Incorrect repositioning and fitting of the filters will produce poor washing results and will result in damage to the appliance.

Spray arms

Caution! Never try to remove the spray arms.

If residue of soil has clogged the holes in the spray arms, remove the debris with a sharp pointed item (e.g. toothpick, cocktail stick).

Cleaning the appliance

External cleaning

Clean the external surfaces of the appliance and control panel with a damp soft cloth. If necessary use only neutral detergents.

Never use abrasive products, scouring pads

or solvents, since these can damage the surfaces and plastic parts of the appliance.

Internal cleaning

Ensure that the seals around the door, the detergent and rinse aid dispensers are cleaned regularly with a damp cloth.

We recommend every 3 months you run the washing programme for heavy soiled dishes using detergent but without dishes.

Prolonged periods of non-operation

If you are not using the appliance for a prolonged period of time you are advised to:

- Unplug the appliance and then turn off the water.
- Leave the door ajar to prevent the formation of any unpleasant smells.
- Leave the inside of the appliance clean.

Frost precautions

Avoid placing the appliance in a location where the temperature is below 0 °C. If this is unavoidable, empty the appliance, close the door, disconnect the water inlet pipe and empty it.

Moving the appliance

If you have to move the appliance (e.g. moving house):

1. Unplug the appliance.
2. Turn the water tap off.
3. Remove the water inlet and discharge hoses.
4. Pull the appliance out together with the hoses.

Avoid over tilting the appliance during transportation.

Something not working

The appliance does not start or it stops during operation.

Certain problems are due to the lack of simple maintenance or oversights, which can be solved with the help of the indications described in the table, without calling out an engineer.

With some malfunctions the indicators flash to show an alarm code

The indicator of the programme in progress flashes continuously and the End indicator flashes one time intermittently.

- The appliance does not fill with water.

The indicator of the programme in progress flashes continuously and the End indicator flashes two times intermittently.

- The appliance does not drain the water. The indicator of the programme in progress flashes continuously and the End indicator flashes three times intermittently.
- The anti-flood device is on.



Warning! Switch off the appliance before you carry out the following suggested corrective actions.

Malfunction	Possible cause	Possible solution
The appliance does not fill with water.	The water tap is blocked or there is limescale on it.	Clean the water tap.
	The water pressure is too low.	Contact your local Water Authority.
	The water tap is closed.	Open the water tap.
	The filter in the water inlet hose is blocked.	Clean the filter.
	The connection of the water inlet hose is not correct.	Make sure that the connection is correct.
	The water inlet hose is damaged.	Make sure that the water inlet hose has no damages.
The appliance does not drain the water.	There is a blockage in the sink spigot.	Clean the sink spigot.
	The connection of the water drain hose is not correct.	Make sure that the connection is correct.
	The water drain hose is damaged.	Make sure that the water drain hose has no damages.
The anti-flood device is on.		Close the water tap and contact our extended warranty administrators. Refer to 'Repairs - after sales service'.
The start of the washing programme does not occur.	The appliance door is open.	Close the appliance door.
	The mains plug is not connected in the mains socket.	Connect the mains plug.
	The fuse in the fuse box is damaged.	Replace the fuse.

Once the checks have been carried out, switch on the appliance. The programme continues from the point at which it was interrupted.

If the malfunction occurs again or the display shows an alarm code that is not listed in the table, please contact our extended warranty administrators. Refer to 'Repairs - after sales service'.

The washing and drying results are not satisfactory		
The dishes are not clean.	The washing programme was not applicable for the type of load and soil.	Make sure that the washing programme is applicable for the type of load and soil.

The washing and drying results are not satisfactory		
	You did not put the items correctly in the baskets, water did not touch all surfaces.	Put the items correctly in the baskets.
	The spray arms could not turn freely. Incorrect position of the items in the baskets.	Make sure that an incorrect position of the items do not cause the blockage of the spray arms.
	The filters are dirty or not assembled and installed correctly.	Make sure that the filters are clean and correctly assembled and installed.
	The quantity of detergent was not sufficient or missing.	Make sure that the quantity of detergent is sufficient.
Limescale particles on the dishes.	The salt container is empty.	Fill the salt container with dishwasher salt.
	Incorrect level of the water softener adjustment.	Adjust the water softener with the correct level.
	The salt container cap is not closed correctly.	Make sure that the salt container cap is closed correctly.
There are streaks, whitish stains, or a bluish layer on glasses and dishes.	The rinse aid quantity is too high.	Decrease the rinse aid quantity.
Dry water drop stains on glasses and dishes.	The rinse aid quantity is too low.	Increase the rinse aid quantity.
	The detergent can be the cause.	Use a different brand of detergent.
The dishes are wet.	The washing programme was without a drying phase or with a decreased drying phase.	For better drying results, keep the door ajar for some minutes.
The dishes are wet and matt.	The rinse aid dispenser is empty.	Fill the rinse aid dispenser with rinse aid.

Technical data

Dimensions	Width	596 mm
	Height	818 - 878 mm
	Depth	555 mm
Water supply pressure	Minimum	0.5 bar (0.05 MPa)
	Maximum	8 bar (0.8 MPa)
Electrical connection	Information on the electrical connection (voltage, overall power and fuse) is given on the rating plate on the inner edge of the appliance door.	
Capacity	Place settings	12



Installation



Warning! It is dangerous to alter the specifications or attempt to modify the appliance in any way.



Warning! This appliance is heavy. Care should be taken when moving it.



Warning! Care must be taken to ensure that the appliance does not stand on the electrical supply cable.



Warning! Any electrical or plumbing work required to install this appliance must be carried out by a qualified electrician or plumber.

- Position the appliance next to a water tap and a drain.

Levelling of the appliance

Good levelling is essential for correct closure and sealing of the appliance door.

When the appliance is correctly levelled, the door will not catch on either side of the cabinet.

If the appliance door does not close correctly, loosen or tighten the adjustable feet until the level of the appliance is perfect.



Caution! Carefully follow the instructions on the enclosed template for building in the appliance and fitting the furniture panel.

Unpacking

- Remove all packaging before positioning the appliance.

Insert the appliance after the adjustment of the appliance level. When inserting the appliance, ensure that the water inlet and drain hoses are not kinked or squashed.

During all operations that involve accessibility to internal components the appliance must be unplugged. Be sure that once the appliance has been installed, it is easily accessible for the service engineer in the event that a repair is required.

Fixing to the adjacent units

The appliance must be secured against tilting.

Water connection

Water inlet connection

This appliance must be connected to a cold water supply.

For making the connection itself, the coupling nut fitted to the appliance inlet hose is designed to screw onto a 3/4" gas thread spout or to a purpose made quick-coupling tap such as the Press-block.

The water pressure must be within the limits given in the 'Technical data'. Your local Water Authority will advise you on the average mains pressure in your area.

The water inlet hose must not be kinked, crushed, or entangled when it is being connected.

The appliance features inlet and drain hoses which can be turned either to the left or the right to suit the installation by means of the locknut. The locknut must be correctly fitted to avoid water leaks.

If the appliance is connected to new pipes or pipes which have not been used for a long time, you should run the water for a few minutes before connecting the inlet hose.

Therefore make sure, that the counter it is fixed under, is suitably secured to a fixed structure (e.g. adjacent kitchen unit cabinets, wall).

This appliance has been fitted with safety features which will prevent the water used in the appliance from returning back into the drinking water system. This appliance complies with the applicable plumbing regulations.

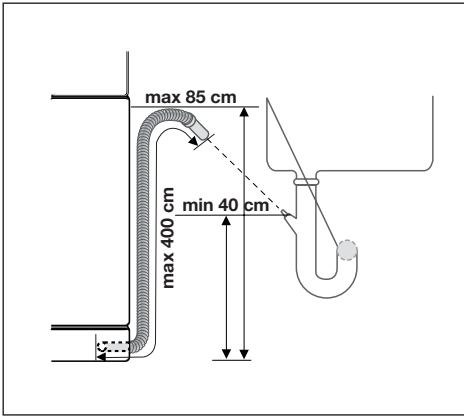


Caution! Do not use inlet and drain hoses which have previously been used on another appliance.

Water drain connection

The end of the drain hose can be connected in the following ways:

- To the sink outlet spigot, securing it to the underside of the work surface. This will prevent waste water from the sink running into the appliance.
- To a stand pipe provided with venthole, minimum internal diameter 4 cm.



The drain hose can face either to the right or left of the appliance.

Ensure the drain hose is not bent or squashed as this could prevent or slow down the discharge of water.

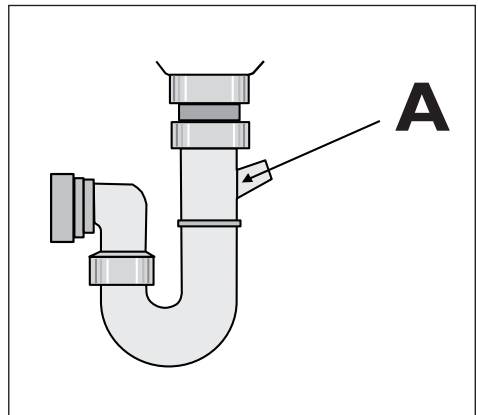
The sink plug must not be in place when the appliance is draining as this could cause the water to syphon back into the appliance.

If you use a drain hose extension, the internal diameter must be no smaller than the diameter of the hose provided.

Likewise the internal diameter of the couplings used for connections to the waste outlet must be no smaller than the diameter of the hose provided.

Our appliances are supplied with a security device to protect against the return of dirty water back into the appliance. If the spigot of your sink has a "no return valve" incorporated this can prevent the correct draining of your appliance. We therefore advise you to remove it.

When connecting the drain hose to an under sink trap spigot, the entire plastic membrane (A) must be removed. Failure to remove all the membrane will result in food particles building up over time eventually blocking the appliance drain hose spigot.



Electrical connection

The manufacturer accepts no liability for failure to observe the following safety precautions.



Warning! Safety standards require the appliance to be earthed. Prior to using the appliance for the first time, ensure that the rated voltage and type of supply on the rating plate match that of the supply where the appliance is to be installed. The fuse rating is also to be found on the rating plate.

Always plug the mains plug into a correctly installed shockproof socket. Multi-way plugs, connectors and extension cables must not be used. This could constitute a fire hazard through overheating.

If necessary, have the domestic wiring system socket replaced. In case that the electrical cable has to be replaced, contact your local repair agent.

The plug must be accessible after the appliance has been installed. Never unplug the appliance by pulling on the cable. Always pull the plug. The appliance is supplied with a 13 amp plug attached. Use a 13 amp ASTA approved (BS 1362) fuse if it is necessary to change the fuse in the plug supplied.

Repairs - after sales service

Your appliance comes with a three year warranty. If it is not working correctly refer to "Something not working". If a fault occurs which you can not resolve through following the advice and information contained within this instruction manual, the next step is to contact our extended warranty administrators on:

0844 871 7771

They will give you details for your local service engineer. Before calling out an engineer, please ensure you have read the details under the heading "Something not working".

When you contact your local service engineer you will need to give the following details:

1. Your name, address and post code
2. Your telephone number
3. Clear and concise details of fault
4. The purchase date as found on your receipt
5. The model and serial number of the appliance. So that you always have these numbers at hand, we recommend you to make a note of them here:

- Mod.....
- P.N.C.....
- S.N.....

IMPORTANT : If you call out an engineer to a fault listed under the heading "Something not working", or to repair a fault caused by incorrect use or installation, a charge will be

made even if the appliance is under guarantee.

Spare parts

Always insist on genuine spare parts.

An authorised service engineer should service this product, and only genuine spare parts should be used. Under no circumstances should you attempt to repair the appliance yourself. Repairs carried out by inexperienced persons may cause injury or serious malfunctioning. Contact your local John Lewis branch.

John Lewis Partnership

171 Victoria Street
London SW1E 5NN
www.johnlewis.com

Free Manuals Download Website

<http://myh66.com>

<http://usermanuals.us>

<http://www.somanuals.com>

<http://www.4manuals.cc>

<http://www.manual-lib.com>

<http://www.404manual.com>

<http://www.luxmanual.com>

<http://aubethermostatmanual.com>

Golf course search by state

<http://golfingnear.com>

Email search by domain

<http://emailbydomain.com>

Auto manuals search

<http://auto.somanuals.com>

TV manuals search

<http://tv.somanuals.com>