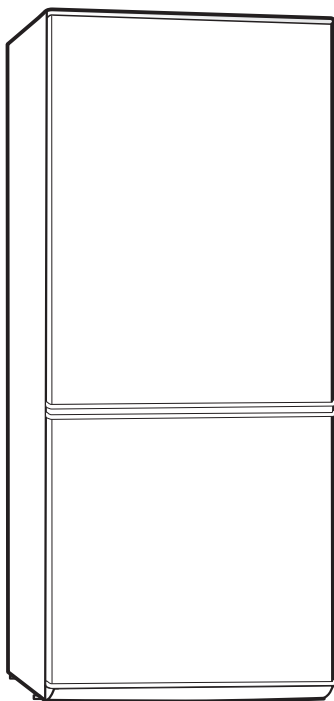


JLFFW1811
JLSS1814
JLFFW2012
JLSS2015
JLFFW2013
Fridge-Freezer

Instruction manual



John Lewis



Safety information

It is most important that this instruction book should be retained with the appliance for future reference. Should the appliance be sold or transferred to another owner, or should you move house and leave the appliance, always ensure that the book is supplied with the appliance in order that the new owner can get to know the functioning of the appliance and the relevant warnings.

These warnings have been provided in the interest of safety. You **MUST** read them carefully before installing or using the appliance. If you are unsure of the meanings of these warnings contact the John Lewis branch from which you purchased the appliance.

In the interest of your safety and to ensure the correct use, before installing and first using the appliance, read this user manual carefully, including its hints and warnings. To avoid unnecessary mistakes and accidents, it is important to ensure that all people using the appliance are thoroughly familiar with its operation and safety features. Save these instructions and make sure that they remain with the appliance if it is moved or sold, so that everyone using it through its life will be properly informed on appliance use and safety.

For your own personnel safety and the safety of your property please follow the instructions and warnings provided in this user guide. The manufacturer cannot be held responsible for any damages caused by not following these instructions.

Children and vulnerable people safety

- This appliance is not intended for use by persons (including children) with reduced physical, sensory or mental capabilities, or lack of experience and knowledge, unless they have been given supervision or

instruction concerning use of the appliance by a person responsible for their safety.

Children should be supervised to ensure that they do not play with the appliance.

- Keep all packaging well away from children. There is risk of suffocation.
- If you are discarding the appliance pull the plug out of the socket, cut the connection cable (as close to the appliance as you can) and remove the door to prevent playing children to suffer electric shock or to close themselves inside it.
- If this appliance which has a magnetic door seal is replacing an older appliance which has a spring lock (latch) on the door or lid, please make sure that the lock is made unusable before it is discarded. This will prevent the danger of a child becoming trapped inside.

General safety



Caution! Keep ventilation openings clear of obstruction.

- The appliance is intended for keeping foodstuff and/or beverages in a normal household as explained in this instruction booklet.
- Do not use a mechanical device or any artificial means to speed up the thawing process.
- Do not use other electrical appliances (such as ice cream makers) inside of refrigerating appliances, unless they are approved for this purpose by the manufacturer.
- Do not damage the refrigerant circuit.
- The refrigerant isobutane (R600a) is contained within the refrigerant circuit of the appliance, a natural gas with a high level of environmental compatibility, which is nevertheless flammable.

During transportation and installation of the appliance, be certain that none of the components of the refrigerant circuit become damaged.

If the refrigerant circuit should become damaged:

- avoid open flames and sources of ignition
- thoroughly ventilate the room in which the appliance is situated
- It is dangerous to alter the specifications or modify this product in any way. Any damage to the cord may cause a short-circuit, fire and/or electric shock.



Warning! Any electrical component (power cord, plug, compressor) must be replaced by a certified service agent or qualified service personnel.

1. Power cord must not be lengthened.
2. Make sure that the power plug is not squashed or damaged by the back of the appliance. A squashed or damaged power plug may overheat and cause a fire.

3. Make sure that you can come to the mains plug of the appliance.
 4. Do not pull the mains cable.
 5. If the power plug socket is loose, do not insert the power plug. There is a risk of electric shock or fire.
 6. You must not operate the appliance without the lamp cover of interior lighting.
- This appliance is heavy. Care should be taken when moving it.
 - Do not remove nor touch items from the freezer compartment if your hands are damp/wet, as this could cause skin abrasions or frost/freezer burns.
 - Avoid prolonged exposure of the appliance to direct sunlight.

Daily Use

- Do not place hot items such as pans and baking trays near the plastic components of the appliance.
- Do not store flammable gas and liquid in the appliance, because they may explode.
- Do not place food products directly against the air outlet on the rear wall.¹⁾
- Frozen food must not be re-frozen once it has been thawed out.
- Store pre-packed frozen food in accordance with the frozen food manufacturer's instructions.
- Appliance's manufacturers storage recommendations should be strictly adhered to. Refer to relevant instructions.
- Do not place carbonated or fizzy drinks in the freezer compartment as it creates pressure on the container, which may cause it to explode, resulting in damage to the appliance.

1) If the appliance is Frost Free

- Ice lollies can cause frost burns if consumed straight from the appliance.
- The appliance must not be located close to radiators or cookers.

Care and cleaning

- Before maintenance, switch off the appliance and disconnect the mains plug from the mains socket.
- Do not clean the appliance with metal objects.
- Do not use sharp objects to remove frost from the appliance. Use a plastic scraper.
- Regularly examine the drain in the refrigerator for defrosted water. If necessary, clean the drain. If the drain is blocked, water will collect in the bottom of the appliance.

Installation

Important! For electrical connection carefully follow the instructions given in specific paragraphs.

- Unpack the appliance and check if there are damages on it. Do not connect the appliance if it is damaged. Report possible damages immediately to the place you bought it. In that case retain packing.
- It is advisable to wait at least four hours before connecting the appliance to allow the oil to flow back in the compressor.
- In order to prevent over heating there must be adequate circulation around the appliance.
- Please refer to the correct positioning and location instructions that can be found in the Installation section of this user guide.

Service

- Any electrical work required to do the servicing of the appliance should be carried out by a qualified electrician or competent person.
- This product must be serviced by an authorised Service Centre, and only genuine spare parts must be used.

Environment Protection



This appliance does not contain gasses which could damage the ozone layer, in either its refrigerant circuit or insulation materials. The appliance shall not be discarded together with the urban refuse and rubbish. The insulation foam contains flammable gases: the appliance shall be disposed according to the applicable regulations to obtain from your local authorities. Avoid damaging the cooling unit, especially at the rear near the heat exchanger. The materials used on this appliance marked by the symbol ♻️ are recyclable.

Contents

For the user

Safety information 2

Product description 6

Control panel 7

Display 7

First switch on 8

Switching off 8

Functions Menu 8

Temperature regulation 8

Holiday Function "H" 8

Ambient Temperature Function 9

Child Lock Function 9

Shopping Function 9

Eco Mode Function 9

Action Freeze Function 9

Drinks Chill Function 10

Excessive temperature alarm 10

First use 11

Cleaning the interior 11

Daily use 11

Storage of frozen food 11

Thawing 11

Carbon Air Filter 11

Movable shelves 11

Bottle rack 12

Vegetable Drawer 12

Positioning the door shelves 12

Chiller Zone 13

Removal of freezing baskets from the freezer 14

Helpful hints and tips 14

Care and cleaning 16

Periodic cleaning 16

Replacing the carbon air filter 16

Defrosting 17

What to do if... 17

For the installer

Technical data 20

Installation 20

Positioning 20

Location 20

Electrical Connection 21

Permanent connection 22

Rear spacers 22

Levelling 22

Removing the shelf holders 22

Installation of the carbon air filter 23


Door reversibility 23

Repairs - after sales service 26


Environmental concerns 27

Guide to use the instruction manual

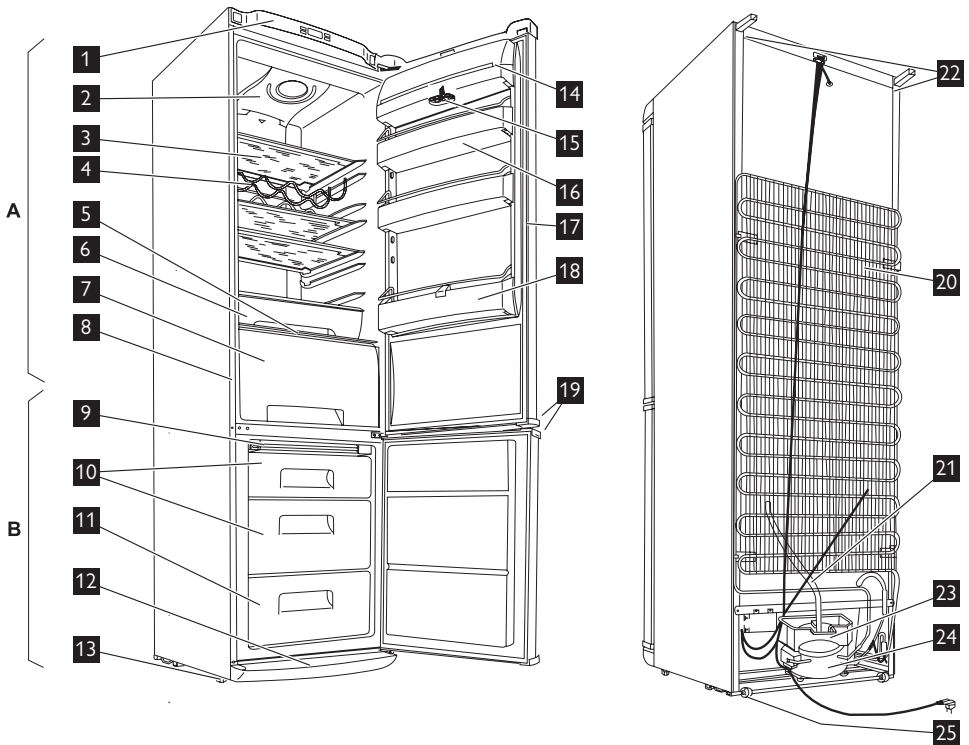
The following symbols will be found in the text to guide you throughout the instructions:

 Safety instructions

 Hints and tips

 Environmental information

Product description

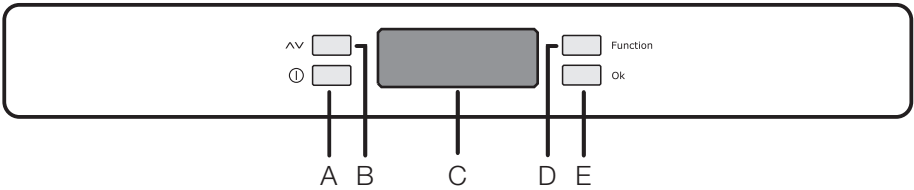


A - Refrigerator

B - Freezer

- 1** Control panel
- 2** Air distribution and light box
- 3** Glass shelves
- 4** Bottle rack
- 5** Glass shelf
- 6** Chiller Zone compartment
- 7** Salad/vegetable drawer
- 8** Rating plate
- 9** Air grid
- 10** Storing compartment(s)
- 11** Quick freeze drawer
- 12** Bottom plinth
- 13** Adjustable feet
- 14** Dairy compartment
- 15** Egg tray
- 16** Door shelf
- 17** Door gasket
- 18** Bottle shelf
- 19** Handles
- 20** Condenser
- 21** Defrost water outlet tube
- 22** Spacers
- 23** Evaporator tray
- 24** Compressor
- 25** Rollers

Control panel



A - Appliance button ON/OFF

B - Temperature regulation button

C - Temperature and function indicator

D - Function button

E - Confirmation button

Display



Indicates the compartment is on.

Indicates the temperature of the relevant compartment.

If it flashes the operations corresponds to the relative compartment.

Excessive temperature alarm.

If on the indicated temperature is the ambient temperature.

Positive or negative temperature indicator.

Temperature indicator.

Child Lock function indicator.

Timer function indicator.

Shopping function indicator.

Drinks Chill function indicator.




Action Freeze function indicator.

Eco mode function indicator.

First switch on

After plugging the plug into the power outlet, if the display is not illuminated, press key (A), appliance on.

As soon as the appliance is turned on, it is in alarm condition, the temperature flashes and you will hear a buzzer.

Press key (E) and the buzzer will go off (also see the section on "excessive temperature alarm") the icon  still flashes and on the indicator   will appear the warmest temperature reached.

For a correct storage of the food select the Eco mode function that guarantee the following temperatures are set:

+5°C in the fridge

-18°C in the freezer

- Wait until the inside compartment temperature reach -18°C, before introducing the goods in the freezer compartment.
- To select a different temperature see "Temperature regulation".

Important! If the door remains ajar for some minutes, the internal lighting will turn off electronically; after this, the lighting function will be reset by closing and opening the door itself.









Switching off

The appliance is shut off by pressing button (A) until a countdown from -3 -2 -1 is completed.

Functions Menu

By activating the key (D) the functions menu is operating. Each function could be confirmed by pressing button (E). If there is no confirmation after some seconds the display will go out from the menu and return in normal condition.

The following functions are indicated:

-  Select/Switch off/Switch on fridge compartment
-  Select/Switch off/Switch on freezer compartment
-  Ambient Temperature
-  Child Lock function
-  Shopping function
-  Eco Mode function
-  ^{SUPER} Action Freeze function
-  Drinks Chill function

Temperature regulation

The temperature may be regulated by pressing the key (D) to select the compartment and than the key (B) to set the desired temperature.

By pressing the key (B) the current temperature setting flashes on the indicator. To confirm the choice of the temperature press the key (E).

You will hear the buzzer for few seconds and the indicator displays the newly selected temperature for a few seconds, then shows again the inside compartment temperature.

The newly selected-temperature must be reached after 24 hours.

After a long period out of use it is not necessary to set again the temperature because it remains stored.

Important! During the stability period by the first starting the temperature displayed can not correspond to the setting temperature. During this time it is possible that the temperature displayed is different than the setting temperature.

Holiday Function "H"

The holiday function sets the temperature at + 15°C.


This function allows you to keep the refrigerator shut and empty during a long holiday period (e. g. the summer holidays) without the formation of a bad smell.

To turn on the holiday function operate as per modify the selected temperature. The temperature indicator can modify the displayed temperature up to + 8 °C, 1 ° at a tim. + 2 °C will be followed by the letter "H". Press key E to confirm.

Now the refrigerator is in the "holiday" function in the energy- saving mode.

Important! The fridge compartment must be empty with holiday function on.


Ambient Temperature Function

The ambient temperature function is activated by pressing key (D) (several times if necessary) until the corresponding icon appears . In this condition the displayed temperature is the ambient temperature.

You must confirm the choice by pressing key (E) within few seconds. You will hear the buzzer and the icon remains lighted.

It is possible to de-activate the function at any time by pressing key (D) until the corresponding icon will flash and then key (E)


Child Lock Function

The Child Lock function is activated by pressing key (D) (several times if necessary) until the corresponding icon appears . You must confirm the choice by pressing key (E) within few seconds. You will hear the buzzer and the icon remains lighted. In this condition any possible operation through the keys does not cause any change as long as this function is activated.

It is possible to de-activate the function at any time by pressing key (D) until the corresponding icon will flash and then key (E).


Shopping Function

If you need to insert a large amount of warm food, for example after doing the grocery shopping, we suggest activating the Shopping function to chill the products more rapidly and to avoid warming the other food which is already in the refrigerator.

The Shopping function is activated by pressing key (D) (several times if necessary) until the corresponding icon appears . You must confirm the choice by pressing key (E) within few seconds. You will hear the buzzer and the icon remains lighted.

The Shopping function shuts off automatically after approximately 6 hours. It is possible to de-activate the function at any time by pressing key (D) until the corresponding icon will flash and then key (E).

Eco Mode Function

The Eco Mode function is activated by pressing key (D) (several times if necessary) until the corresponding icon appears . You must confirm the choice by pressing key (E) within few seconds. You will hear the buzzer and the icon remains lighted.

In this condition the chosen temperatures are automatically set (+ 5°C and - 18°C), in the best conditions for storing food.


It is possible to de-activate the function at any time by changing the selected temperature in one of the compartment.

Action Freeze Function

The freezer compartment is suitable for long term storage of commercially frozen and deep-frozen food, and for freezing fresh food.


The maximum quantity of foods to freeze in 24 hours is shown on the rating plate.

To freeze the amount of food indicated on the rating plate, place the food directly in touch with the cooling surface (remove the drawer or basket). In case the food is frozen inside the drawers or baskets, the maximum quantity is slightly reduced.

To freeze fresh foods, you will need to activate the Action Freeze function. Press key (D) (several times if necessary) until  indicator appears.


You must confirm the choice by pressing key (E) within few seconds. You will hear the buzzer and on the display will appear some animation with lines.

After a pre-cooling period of 24 hours, place the foods in the freezer.


Place the food to be frozen in the  compartment, as this is the coldest point.

The freezing process takes 24 hours. During this period do not put other foods in the freezer.

This function stops automatically after 52 hours.

It is possible to deactivate the function at any time by pressing key (D) until  indicator will flash and then press key (E).





Drinks Chill Function

The Drinks Chill function is to be used as a safety warning when placing bottles in the freezer compartment. It is activated by pressing key (D) (several times if necessary) until the corresponding icon appears .

You must confirm the choice by pressing key (E) within few seconds. You will hear the buzzer and the icon remains lighted.

In this condition it operates a timer with a default value of 30 min. and it could change from 1 to 90 min., by pressing key (B) you select the minutes needed.



At the end of the selected time there are the following indications:

- on the indicator  the symbol  flashing
- the icon  flashing
- the icon  flashing
- sounding of an acoustic alarm until key (E) is pressed

At this point bear in mind to remove the drinks contained in the freezer compartment. It is possible to deactivate the function at any time by pressing key (D) until the corresponding icon will flash and then key (E).


Excessive temperature alarm

An increase in the temperature in a compartment (for example due to an power failure) is indicated by:

- flashing temperature
- freezer compartment  flashing
- flashing of the icon 
- sounding of buzzer

When normal conditions are restored:

- the acoustic signal shuts off
- the temperature value continues to flash

When you press key (E) to de-activate the alarm, the highest temperature reached in the compartment appears on indicator  for some seconds.

Then it returns on the normal operation showing the temperature of the selected compartment.

During the alarm phase, the buzzer can be switched off by pressing key (E).

First use

Cleaning the interior

Before using the appliance for the first time, wash the interior and all internal accessories with lukewarm water and some neutral soap so as to remove the typical smell of a brand-new product, then dry thoroughly.

Daily use

Storage of frozen food

When first starting-up or after a period out of use, before putting the products in the compartment let the appliance run at least 2 hours on the higher settings.

Important! In the event of accidental defrosting, for example due to a power failure, if the power has been off for longer than the value shown in the technical characteristics chart under "rising time", the defrosted food must be consumed quickly or cooked immediately and then re-frozen (after cooling).

Thawing

Deep-frozen or frozen food, prior to being used, can be thawed in the refrigerator compartment or at room temperature, depending on the time available for this operation.

Small pieces may even be cooked still frozen, directly from the freezer: in this case, cooking will take longer.

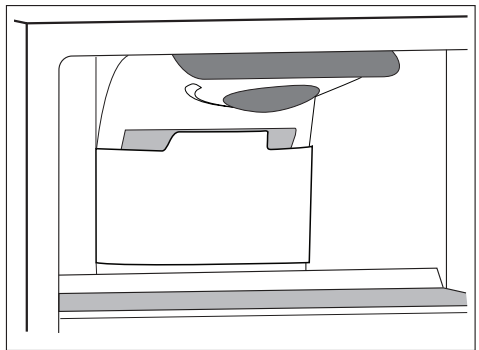
Important! Do not use detergents or abrasive powders, as these will damage the finish.

Carbon Air Filter

Your appliance is equipped with a carbon filter behind a flap in the rear wall of the air distributing box.

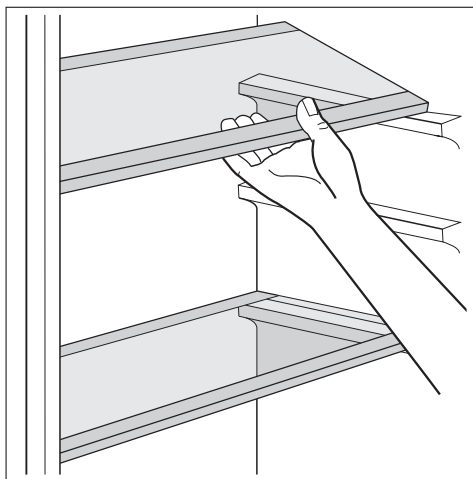
The filter purifies the air from unwanted odours in the fridge compartment meaning that the storage quality will be further improved.

Important! During the operation, always keep the air ventilation flap closed.



Movable shelves

The walls of the refrigerator are equipped with a series of runners so that the shelves can be positioned as desired.

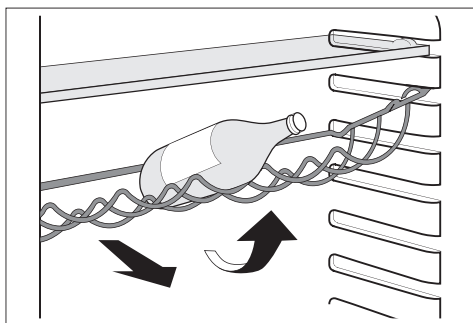


Bottle rack

Place the bottles (with the opening facing front) in the pre-positioned shelf.

Important! If the shelf is positioned horizontally, place only closed bottles.

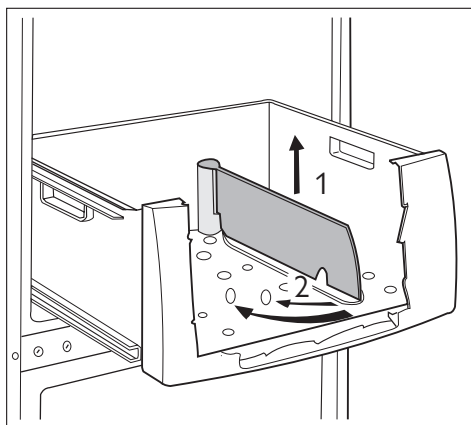
This bottle holder shelf can be tilted in order to store previously opened bottles. To obtain this result, pull the shelf up so it can rotate upwards and be placed on the next higher level.



Vegetable Drawer

The drawer is suitable for storing fruit and vegetables.

There is a separator inside the drawer that can be placed in different positions to allow for the subdivision best suited to personal needs. There is a grille (if foreseen) on the bottom of the drawer to separate the fruit and vegetables from any humidity that may form on the bottom surface. All parts inside the drawer can be removed for cleaning purposes

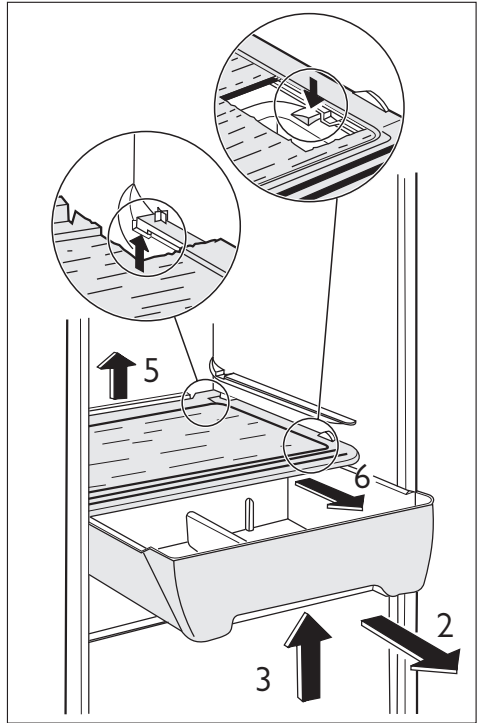
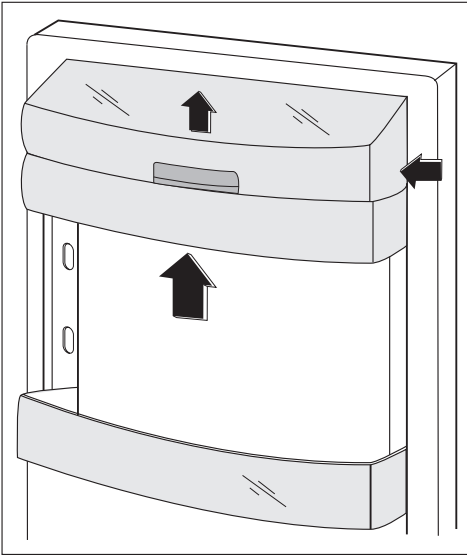


Positioning the door shelves

To permit storage of food packages of various sizes, the door shelves can be placed at different heights.

To make these adjustments proceed as follows:

gradually pull the shelf in the direction of the arrows until it comes free, then reposition as required.



Chiller Zone

The Chiller Zone compartment is suitable for storing fresh food like fish, meat, seafood, because the temperature is lower here than in the rest of the fridge. It is placed in the lower part of the refrigerator, directly above of the vegetable drawer.

If you wish to remove the Chiller Zone compartment, do these steps:

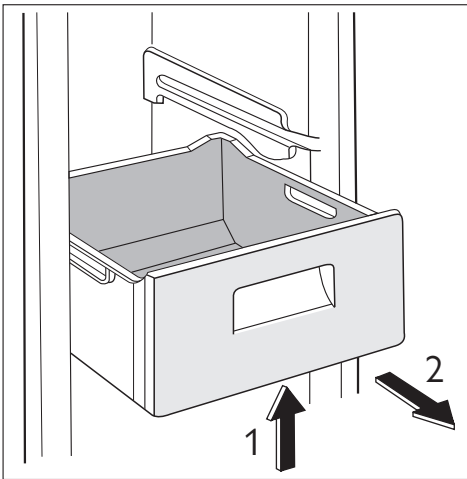
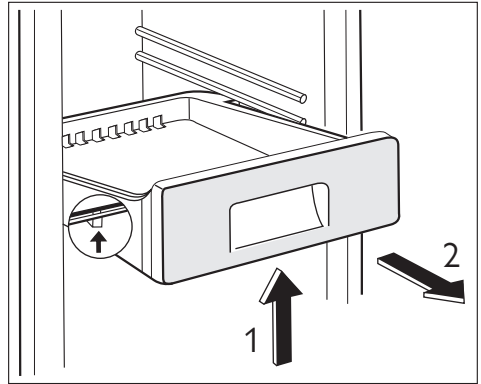
1. Open the door of the refrigerator as wide as possible. If you cannot open the door at an angle of 180° because of a limit stop or any other objects, remove the bottle shelf from the door.
2. Pull the drawer towards yourself to the end point.
3. Slightly lift the front part of the drawer.
4. Remove the drawer from its support.
5. Lift the back of the support from its nest.
6. Pull the frame towards yourself.
7. Remove the support frame.

To put the Chiller Zone compartment to its initial position, do above steps in opposite sequence.

Removal of freezing baskets from the freezer

The freezing baskets have a limit stop to prevent their accidental removal or falling out. At the time of its removal from the freezer, pull the basket towards yourself and, upon reaching the end point, remove the basket by tilting its front upwards.

At the time of putting it back, slightly lift the front of the basket to insert it into the freezer. Once you are over the end points, push the baskets back in their position.



Helpful hints and tips

Normal Operating Sounds

- You may hear a faint gurgling and a bubbling sound when the refrigerant is pumped through the coils or tubing. This is not a fault with the appliance and is a completely normal operating sound.
- When the compressor is on, the refrigerant is being pumped around and you will hear a whirring sound and a pulsating noise from the compressor. This is correct.
- The thermic dilatation might cause a sudden cracking noise. This is not a fault with the appliance and is a completely normal operating sound.

Hints for energy saving

- Do not open the door frequently or leave it open longer than absolutely necessary.
- If the ambient temperature is high and the Temperature Regulator is set to low temperature and the appliance is fully loaded, the compressor may run continuously, causing frost or ice on the evaporator. If this happens, set the Temperature Regulator towards a warmer setting to allow automatic defrosting and will therefore save in electricity consumption.

Hints for fresh food refrigeration

To obtain the best performance:

- do not store warm food or evaporating liquids in the refrigerator
- do cover or wrap the food, particularly if it has a strong flavour
- position food so that air can circulate freely around it

Hints for refrigeration

Useful hints:

Meat (all types) : wrap in polythene bags and place on the glass shelf above the vegetable drawer.

For safety, store in this way only one or two days at the most.

Cooked foods, cold dishes, etc.: these should be covered and may be placed on any shelf.

Fruit and vegetables: these should be thoroughly cleaned and placed in the special drawer(s) provided.

Butter and cheese: these should be placed in special airtight containers or wrapped in aluminium foil or polythene bags to exclude as much air as possible.

Milk bottles: these should have a cap and should be stored in the bottle rack on the door.

Bananas, potatoes, onions and garlic, if not packed, must not be kept in the refrigerator.

Hints for freezing

To help you make the most of the freezing process, here are some important hints:

- the maximum quantity of food which can be frozen in 24 hrs. is shown on the rating plate;
- the freezing process takes 24 hours. No further food to be frozen should be added during this period;
- only freeze top quality, fresh and thoroughly cleaned, foodstuffs;
- prepare food in small portions to enable it to be rapidly and completely frozen and to make it possible subsequently to thaw only the quantity required;
- wrap up the food in aluminium foil or polythene and make sure that the packages are airtight;
- do not allow fresh, unfrozen food to touch food which is already frozen, thus avoiding a rise in temperature of the latter;
- lean foods store better and longer than fatty ones; salt reduces the storage life of food;
- it is advisable to show the use by date on each individual pack to enable you to keep tab of the storage time.



Warning! Lolly ices, if consumed immediately after removal from the freezer compartment can cause freezer burns.

Hints for storage of frozen food

To obtain the best performance from this appliance, you should:

- make sure that the commercially frozen foodstuffs were adequately stored by the retailer;
- be sure that frozen foodstuffs are transferred from the foodstore to the freezer in the shortest possible time;

- not open the door frequently or leave it open longer than absolutely necessary.
- Once defrosted, food deteriorates rapidly and cannot be refrozen.
- Do not exceed the storage period indicated by the food manufacturer.

Care and cleaning



Caution! Unplug the appliance before carrying out any maintenance operation.



This appliance contains hydrocarbons in its cooling unit; maintenance and recharging must therefore only be carried out by authorised technicians.

Periodic cleaning

The equipment has to be cleaned regularly:

- clean the inside and accessories with lukewarm water and some neutral soap.
- regularly check the door seals and wipe clean to ensure they are clean and free from debris.
- rinse and dry thoroughly.

Important! Do not pull, move or damage any pipes and/or cables inside the cabinet. Never use detergents, abrasive powders, highly perfumed cleaning products or wax polishes to clean the interior as this will damage the surface and leave a strong odour.

Clean the condenser (black grill) and the compressor at the back of the appliance with a brush or a vacuum cleaner. This operation will improve the performance of the appliance and save electricity consumption.

Important! Take care of not to damage the cooling system.

Many proprietary kitchen surface cleaners contain chemicals that can attack/damage the plastics used in this appliance. For this reason it is recommended that the outer casing of this appliance is only cleaned with warm water with a little washing-up liquid added. After cleaning, reconnect the equipment to the mains supply.

Replacing the carbon air filter

To get the best performance the carbon air filter should be changed once every year. New active air filters can be purchased from your local dealer. Refer to "Installation of the carbon air filter" for the instructions.

Defrosting

Your appliance is frost free. This means that there is no build up of frost when it is in operation, neither on the internal walls nor on the foods.

The absence of frost is due to the continuous circulation of cold air inside the compartment, driven by an automatically controlled fan.

What to do if...



Caution! Before troubleshooting, disconnect the power supply. Only a qualified electrician or competent person must complete any repairs to the appliance.

Important! It is normal to hear some operating noises during use (for example the compressor, refrigerant circulation).

Problem	Possible cause	Solution
The appliance is noisy.	The appliance is not supported properly.	Check if the appliance stands stable (all the four feet should be on the floor).
The compressor operates continually.	The Temperature regulator may be set incorrectly.	Set a warmer temperature.
	The door is not closed correctly.	Refer to "Closing the door".
	The door has been opened too frequently.	Do not keep the door open longer than necessary.
	The product temperature is too high.	Let the product temperature decrease to room temperature before storage.
	The room temperature is too high.	Decrease the room temperature.
	The Action Freeze function is switched on.	Refer to "Action Freeze function".
Water flows on the rear plate of the refrigerator.	During the automatic defrosting process, frost defrosts on the rear plate.	This is correct.
Water flows into the refrigerator.	The water outlet is clogged.	Clean the water outlet.
	Products prevent that water flows into the water collector.	Make sure that products do not touch the rear plate.

Problem	Possible cause	Solution
Water flows on the ground.	The melting water outlet does not flow in the evaporative tray above the compressor.	Attach the melting water outlet to the evaporative tray.
There is too much frost and ice.	Products are not wrapped correctly..	Please refer to the "Hints for refrigeration" and "Hints for freezing" instructions in this guide.
	The door is not closed correctly.	Refer to "Closing the door".
	The Temperature regulator may be set incorrectly.	Set a higher temperature.
The temperature in the appliance is too high.	The door is not closed correctly.	Refer to "Closing the door".
	The product temperature is too high.	Let the product temperature decrease to room temperature before storage.
	Many products are stored at the same time.	Store less products at the same time.
The temperature in the refrigeration is too high.	There is no cold air circulation in the appliance.	Make sure that there is cold air circulation in the appliance.
The temperature in the freezer is too high.	Products are too near to each other.	Store products so that there is cold air circulation.
The appliance does not operate.	The appliance is switched off.	Switch on the appliance.
	The mains plug is not connected to the mains socket correctly.	Please refer to the installation instructions provided in this user guide.
	The appliance has no power. There is no voltage in the mains socket.	To test this connect a different electrical appliance to the mains socket. Contact a qualified electrician.
The lamp does not work.	The lamp is defective.	Refer to "Replacing the lamp".

If after following these instructions you do not resolve the fault with your appliance please refer to the "Repairs - After Sales Service".

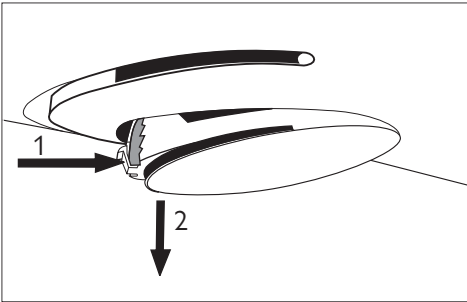
Replacing the lamp



Caution! Disconnect the plug from the mains socket.

1. Pull outwards the hook of the lamp cover.

2. Remove the lamp cover.
3. Replace the lamp with one of the same power (the maximum power is shown on the light bulb cover).
4. Install the lamp cover.
5. Connect the plug to the mains socket.
6. Open the door. Make sure that the light comes on.



Closing the door

1. Clean the door gaskets.
2. If necessary, adjust the door. Refer to "Installation".
3. If necessary, replace the defective door gaskets. Contact the Service Force Center.

Technical data

		JLFFW1811 JLSS1814	JLFFW2013 JLSS2015	JLFFW2012
Dimension				
	Height	1850 mm	2010 mm	2010 mm
	Width	595 mm	595 mm	595 mm
	Depth	632 mm	632 mm	632 mm
Rising Time		16 h	16 h	16 h

The technical information are situated in the rating plate on the internal left side of the appliance and in the energy label.

Installation



Read the "Safety Information" carefully for your safety and correct operation of the appliance before installing the appliance.

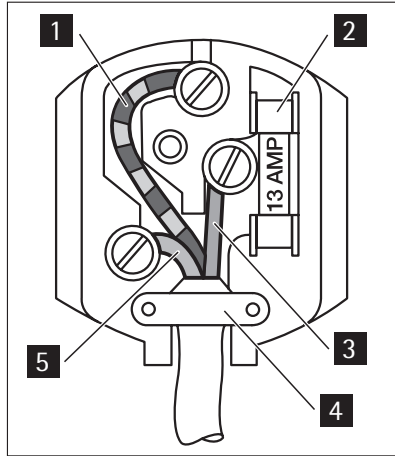
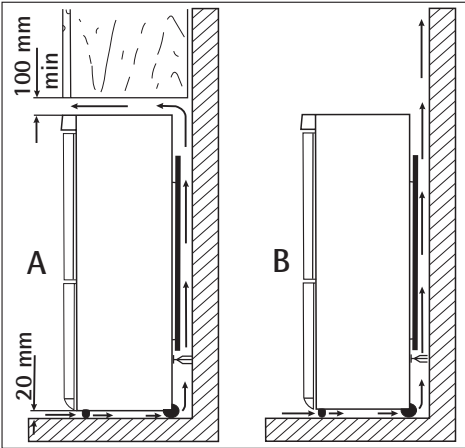
Positioning

Install this appliance at a location where the ambient temperature corresponds to the climate class indicated on the rating plate of the appliance:

Climate class	Ambient temperature
SN	+10°C to + 32°C
N	+16°C to + 32°C
ST	+16°C to + 38°C
T	+16°C to + 43°C

Location

The appliance should be installed well away from sources of heat such as radiators, boilers, direct sunlight etc. Ensure that air can circulate freely around the back of the cabinet. To ensure best performance, if the appliance is positioned below an overhanging wall unit, the minimum distance between the top of the cabinet and the wall unit must be at least 100 mm . Ideally, however, the appliance should not be positioned below overhanging wall units. Accurate levelling is ensured by one or more adjustable feet at the base of the cabinet.



Warning! It must be possible to disconnect the appliance from the mains power supply; the plug must therefore be easily accessible after installation.

- | | | |
|----------|-------------------|---------|
| 1 | Green and Yellow: | Earth |
| 3 | Brown: | Live |
| 5 | Blue: | Neutral |

Electrical Connection

Caution! Any electrical work required to install this appliance should be carried out by a qualified electrician or competent person.

Warning! This appliance must be earthed.
The manufacturer declines any liability should these safety measures not be observed.

Important! The wires in the mains lead are coloured in accordance with the following code:

As the colours of the wires in the mains lead of this appliance may not correspond with the coloured markings identifying the terminals in your plug, proceed as follows:

1. Connect the wire coloured green and yellow to the terminal marked either with the letter "E" or by the earth symbol \oplus or coloured green and yellow.
2. Connect the wire coloured blue to the terminal either marked with the letter "N" or coloured black.
3. Connect the wire coloured brown to the terminal either marked with the "L" or coloured red.
4. Check that no cut, or stray strands of wire is present and the cord clamp **4** is secure over the outer sheath.
5. Make sure the electricity supply voltage is the same as that indicated on the appliance rating plate.
6. Switch on the appliance.

The appliance is supplied with a 13 amp plug fitted **2**. In the event of having to change the fuse in the plug supplied, a 13 amp ASTA approved (BS 1362) fuse must be used.



Warning! A cut off plug inserted into a 13 amp socket is a serious safety (shock) hazard. Ensure that it is disposed of safely.

Permanent connection

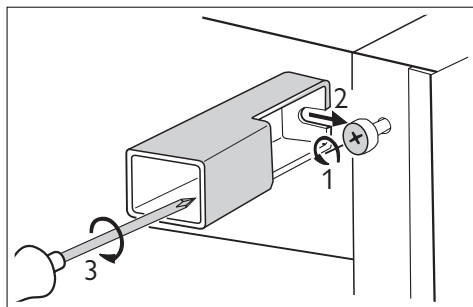
In the case of permanent connection it is necessary that you install a double pole switch between the appliance and the electricity supply (mains), with a minimum gap of 3mm between the switch contacts and of a type suitable for the required load in compliance with the current electrical regulations.

The switch must not break the green and yellow earth cable at any point.

Rear spacers

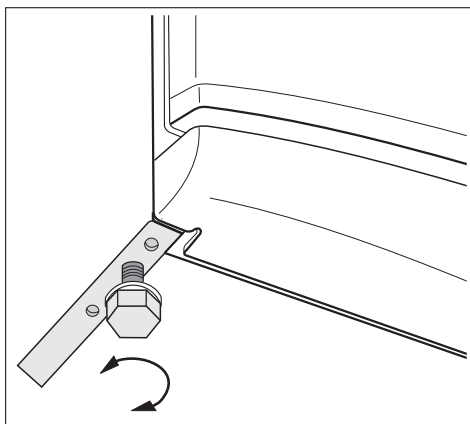
In the bag with the documentation, there are two spacers which must be fitted as shown in the figure.

Slacken the screws and insert the spacer under the screw head, then tighten again the screws.



Levelling

When placing the appliance ensure that it stands level. This can be achieved by two adjustable feet at the bottom in front.

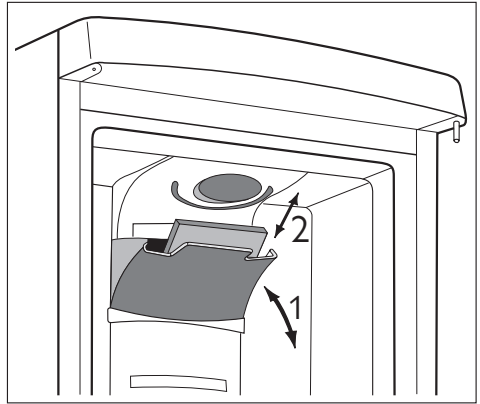
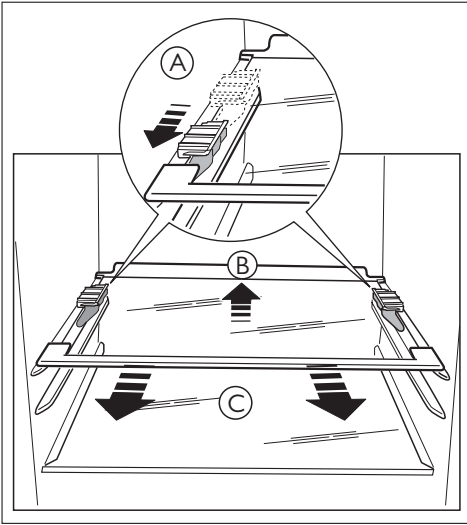


Removing the shelf holders

Your appliance is equipped with shelf retainers that make it possible to secure the shelves during transportation.

To remove them proceed as follows:

1. Move the shelf holders in the direction of the arrow (A).
2. Raise the shelf from the rear and push it forward until it is freed (B).
3. Remove the retainers (C).



Important! During operation, always keep the air ventilation flap closed. The filter should be handled carefully so fragments do not loosen from the surface.

Installation of the carbon air filter

The carbon air filter is an active carbon filter which absorbs bad odours and permits to maintain the best flavour and aroma for all foodstuffs without risk of odour cross contamination.

On delivery the carbon filter is in a plastic bag to maintain its duration and characteristics. The filter should be placed behind the flap before the appliance is turned on.

1. Open the flap cover (1)
2. Remove the filter from the plastic bag
3. Insert the filter in the slot found in the back of the flap cover (2)
4. Close the flap cover

Door reversibility

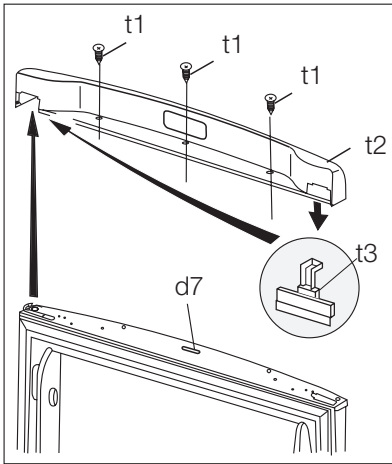


Warning! Before carrying out any operations, remove the plug from the power socket.

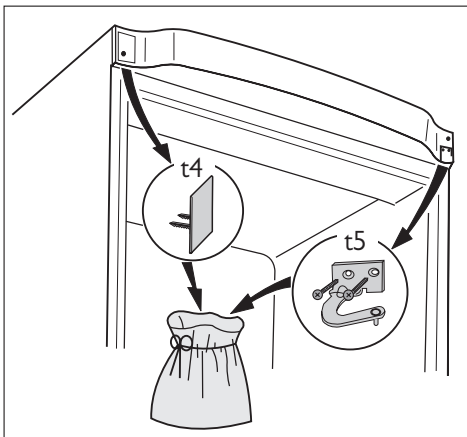
Important! To carry out the following operations, we suggest that this be made with another person that will keep a firm hold on the doors of the appliance during the operations.

To change the opening direction of the door, do these steps:

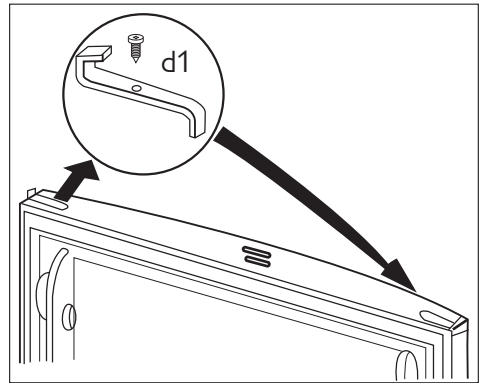
1. Open the door with the appliance in the upright position. Unscrew the screws (t1) and remove the upper door plastic trim (t2). Close the door.



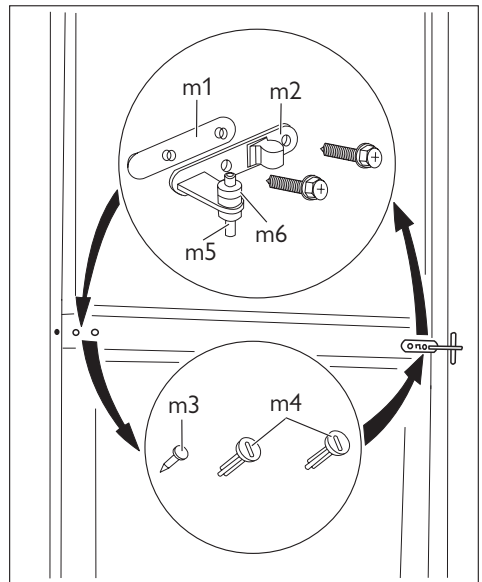
2. Remove the little plastic cover from the door plastic trim and refit on the opposite side (t3).
3. Remove the panel (t4). If it is necessary use a screwdriver very carefully. Unscrew the screw on the other side. Remove the upper door mount (t5). Place them in an empty plastic bag.



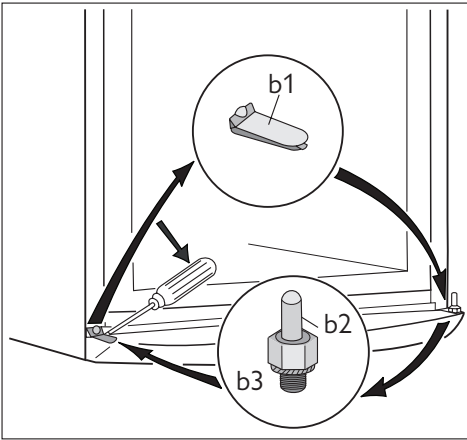
4. Remove the upper door.
5. Unscrew the screw and remove the door stopper (d1). Attach it reversed on the other side.



6. Unscrew the middle hinge (m2). Remove the plastic spacer (m1).

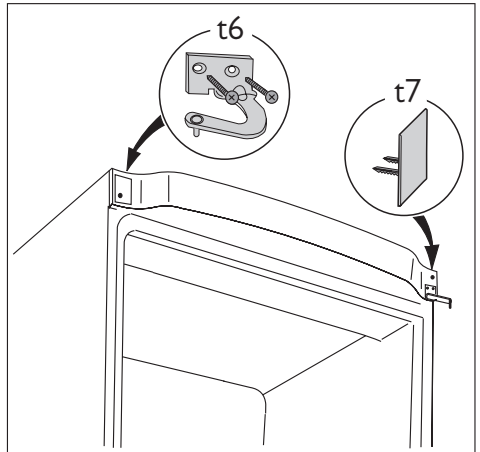
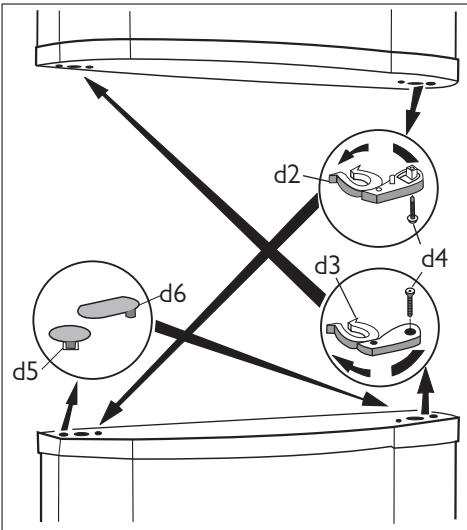


7. Remove the spacer (m6) and move to the other side of the hinge pivot (m5).
8. Remove the lower door.
9. Remove using a tool the cover (b1). Unscrew the lower hinge pivot (b2) and the spacer (b3) and place them on the opposite side.
10. Re-insert the cover (b1) on the opposite side.



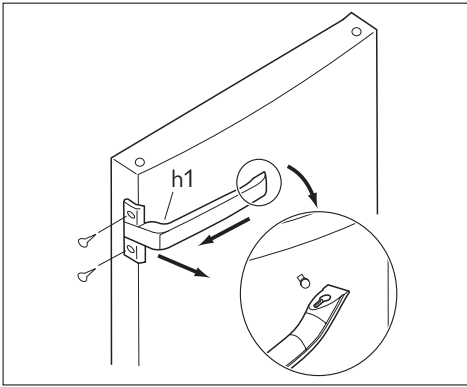
16. Fit the pin of the middle hinge (m5) into the left-hand hole of the lower door.
17. Re-insert the lower door on the pivot pin (b2).
18. Re-screw the middle hinge (m1) on the opposite side . Do not forget the plastic spacer (m2) inserted under the middle hinge.
19. Re-insert the upper door on the middle hinge (m5).
Make sure that the edges of the doors run parallel to the side edge of the appliance.
20. Position and fix the upper hinge (you can find them in the instruction for use bag) on the opposite side (t6).

11. Disassemble the door locking elements (d2,d3) by unscrewing the screw (d4) .



21. Insert the panel (t7) (that can be found in the instruction for use bag).
22. Open the upper door, attach the top cover (t2) using screws (t1). Insert the magnet (d7). Close the door.
23. Reposition, level the appliance, wait for at least four hours and then connect it to the power socket.
24. Unscrew the handles (h1) and fix them on the opposite side.

12. Remove stoppers in both doors (d5,d6) .
13. Reverse the door locking elements (d2,d3) , move to the other side of the other door and fix by screwing in the screw (d4) .
14. Re-insert the stoppers (d5,d6) on the other side of the doors.
15. Remove the left-hand cover pin of the middle hinge (m3,m4) and move to the other side.



Do a final check to make sure that:

- All screws are tightened.
 - The magnetic seal adheres to the cabinet.
 - The door opens and closes correctly.
- If the ambient temperature is cold (i.e. in Winter), the gasket may not fit perfectly to the cabinet. In that case, wait for the natural fitting of the gasket.
- In case you do not want to carry out the above mentioned operations, contact the nearest After Sales Service Force. The After Sales Service specialist will carry out the reversibility of the doors at your cost.

Repairs - after sales service

Your appliance comes with a three year warranty. If it is not working correctly; consult the fault finding guides within this instruction book (Something not working). If a fault occurs which you can not resolve through following the advice and information contained within this instruction manual, the next step is to contact our extended warranty administrators on:

0844 871 7771

They will give you details for your local Service engineer. Before calling out an engineer, please ensure you have read the details under the heading "Something not working". When you contact your local service engineer you will need to give the following details:

1. Your name, address and post code
2. Your telephone number
3. Clear and concise details of fault
4. The purchase date as found on your receipt

5. The model and serial number of the appliance. So that you always have these numbers at hand, we recommend you to make a note of them here:

- Mod.....
- P.N.C.....
- S.N.....

IMPORTANT : If you call out an engineer to a fault listed below, or to repair a fault caused by incorrect use or installation, a charge will be made even if the appliance is under guarantee.


Spare parts

Always insist on genuine spare parts.

An authorised service engineer should service this product, and only genuine spare parts should be used. Under no circumstances should you attempt to repair the appliance yourself. Repairs carried out by inexperienced persons may cause injury or serious

malfunctioning. Contact your local John Lewis branch.

Environmental concerns

The symbol  on the product or on its packaging indicates that this product may not be treated as household waste. Instead it should be taken to the appropriate collection point for the recycling of electrical and electronic equipment. By ensuring this product is disposed of correctly, you will help prevent potential negative consequences for the environment and human health, which could otherwise be caused by inappropriate waste handling of this product. For more detailed information about recycling of this product, please contact your local council, your household waste disposal service or the shop where you purchased the product.

John Lewis Partnership

171 Victoria Street
London SW1E 5NN
www.johnlewis.com

210620342-UK-00-17042009

925034086

925034087

925034270

925034271

925034272

Free Manuals Download Website

<http://myh66.com>

<http://usermanuals.us>

<http://www.somanuals.com>

<http://www.4manuals.cc>

<http://www.manual-lib.com>

<http://www.404manual.com>

<http://www.luxmanual.com>

<http://aubethermostatmanual.com>

Golf course search by state

<http://golfingnear.com>

Email search by domain

<http://emailbydomain.com>

Auto manuals search

<http://auto.somanuals.com>

TV manuals search

<http://tv.somanuals.com>