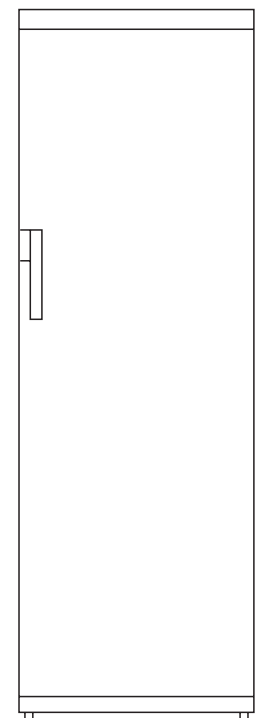


JLFZW1601

Freezer

Instruction manual



John Lewis

Safety information

It is most important that this instruction book should be retained with the appliance for future reference. Should the appliance be sold or transferred to another owner, or should you move house and leave the appliance, always ensure that the book is supplied with the appliance in order that the new owner can get to know the functioning of the appliance and the relevant warnings.

These warnings have been provided in the interest of safety. You **MUST** read them carefully before installing or using the appliance. If you are unsure of the meanings of these warnings contact the John Lewis branch from which you purchased the appliance.

In the interest of your safety and to ensure the correct use, before installing and first using the appliance, read this user manual carefully, including its hints and warnings. To avoid unnecessary mistakes and accidents, it is important to ensure that all people using the appliance are thoroughly familiar with its operation and safety features. Save these instructions and make sure that they remain with the appliance if it is moved or sold, so that everyone using it through its life will be properly informed on appliance use and safety.

For your own personnel safety and the safety of your property please follow the instructions and warnings provided in this user guide. The manufacturer cannot be held responsible for any damages caused by not following these instructions.

Children and vulnerable people safety

- This appliance is not intended for use by persons (including children) with reduced physical, sensory or mental capabilities, or lack of experience and knowledge, unless they have been given supervision or

instruction concerning use of the appliance by a person responsible for their safety.

Children should be supervised to ensure that they do not play with the appliance.

- Keep all packaging well away from children. There is risk of suffocation.
- If you are discarding the appliance pull the plug out of the socket, cut the connection cable (as close to the appliance as you can) and remove the door in order to prevent playing children from suffering an electric shock or from closing themselves inside.
- If this appliance which has a magnetic door seal is replacing an older appliance which has a spring lock (latch) on the door or lid, please make sure that the lock is made unusable before it is discarded. This will prevent the danger of a child becoming trapped inside.

General safety



Caution! Keep ventilation openings clear of obstruction.

- The appliance is intended for keeping foodstuff and/or beverages in a normal household as explained in this instruction booklet.
- Do not use a mechanical device or any artificial means to speed up the thawing process.
- Do not use other electrical appliances (such as ice cream makers) inside of refrigerating appliances, unless they are approved for this purpose by the manufacturer.
- Do not damage the refrigerant circuit.
- The refrigerant isobutane (R600a) is contained within the refrigerant circuit of the appliance, a natural gas with a high level of environmental compatibility, which is nevertheless flammable.

During transportation and installation of the appliance, be certain that none of the components of the refrigerant circuit become damaged.

If the refrigerant circuit should become damaged:

- avoid open flames and sources of ignition
- thoroughly ventilate the room in which the appliance is situated
- It is dangerous to alter the specifications or modify this product in any way. Any damage to the cord may cause a short-circuit, fire and/or electric shock.



Warning! Any electrical component (power cord, plug, compressor) must be replaced Service Force agent.

1. Power cord must not be lengthened.
2. Make sure that the power plug is not squashed or damaged by the back of the appliance. A squashed or damaged

power plug may overheat and cause a fire.

3. Make sure that you can come to the mains plug of the appliance.
 4. Do not pull the mains cable.
 5. If the power plug socket is loose, do not insert the power plug. There is a risk of electric shock or fire.
 6. You must not operate the appliance without the lamp cover of interior lighting.
- This appliance is heavy. Care should be taken when moving it.
 - Do not remove nor touch items from the freezer compartment if your hands are damp/wet, as this could cause skin abrasions or frost/freezer burns.
 - Avoid prolonged exposure of the appliance to direct sunlight.
 - Bulb lamps used in this appliance are special purpose lamps selected for household appliances use only. They are not suitable for household room illumination.

Daily Use

- Do not place hot items such as pans and baking trays near the plastic components of the appliance.
- Do not store flammable gas and liquid in the appliance, because they may explode.
- Do not place food products directly against the air outlet on the rear wall.¹⁾
- Frozen food must not be re-frozen once it has been thawed out.
- Store pre-packed frozen food in accordance with the frozen food manufacturer's instructions.

1) If the appliance is Frost Free

- Appliance's manufacturers storage recommendations should be strictly adhered to. Refer to relevant instructions.
- Do not place carbonated or fizzy drinks in the freezer compartment as it creates pressure on the container, which may cause it to explode, resulting in damage to the appliance.
- Ice lollies can cause frost burns if consumed straight from the appliance.
- Please refer to the correct positioning and location instructions that can be found in the Installation section of this user guide.
- The appliance must not be located close to radiators or cookers.
- Make sure that the mains plug is accessible after the installation of the appliance.

Care and cleaning

- Before maintenance, switch off the appliance and disconnect the mains plug from the mains socket.
- Do not clean the appliance with metal objects.
- Do not use sharp objects to remove frost from the appliance. Use a plastic scraper.
- Regularly examine the drain in the refrigerator for defrosted water. If necessary, clean the drain. If the drain is blocked, water will collect in the bottom of the appliance.

Installation

Important! For electrical connection carefully follow the instructions given in specific paragraphs.


- Unpack the appliance and check if there are damages on it. Do not connect the appliance if it is damaged. Report possible damages immediately to the place you bought it. In that case retain packing.
- It is advisable to wait at least four hours before connecting the appliance to allow the oil to flow back in the compressor.
- In order to prevent over heating there must be adequate circulation around the appliance.

Service

- Any electrical work required to do the servicing of the appliance should be carried out by a qualified electrician or competent person.
- This product must be serviced by an authorised Service Centre, and only genuine spare parts must be used.

Environment Protection



This appliance does not contain gasses which could damage the ozone layer, in either its refrigerant circuit or insulation materials. The appliance shall not be discarded together with the urban refuse and rubbish. The insulation foam contains flammable gases: the appliance shall be disposed according to the applicable regulations to obtain from your local authorities. Avoid damaging the cooling unit, especially at the rear near the heat exchanger. The materials used on this appliance marked by the symbol  are recyclable.

Contents

For the user

Safety information

Control panel

- Display
- Switching on
- Switching off
- Temperature regulation
- Functions Menu
- Eco Mode Function
- Action Freeze Function
- Drinks Chill Function
- Child Lock Function
- Temperature alarm

First use

- Cleaning the interior

Daily Use

- Use of the freezer compartment
- Storage of frozen food
- Thawing
- Cold accumulators
- Ice-cube production

Helpful Hints and Tips

- Hints for freezing
- Hints for storage of frozen food

Care and cleaning

- Periodic cleaning
- Defrosting of the freezer
- Periods of non-operation

What to do if...

- Cleaning the evaporator

For the installer

2	Technical data	15
6	Installation	15
6	Location	15
6	Levelling	16
6	Positioning	16
6	Electrical Connection	16
7	Rear spacers	17
7	Door reversibility	17

7
7
8
8

8
8


8


8
9
9
9
9

Guide to use the instruction manual

10 The following symbols will be found in the text to guide you throughout the instructions:

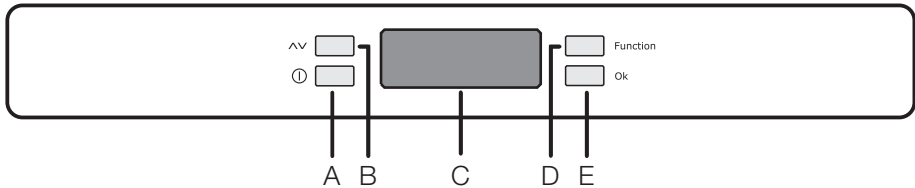
11  Safety instructions

11  Hints and tips

12  Environmental information

13

Control panel



A - Appliance button ON/OFF

B - Temperature regulation button

C - Temperature and function indicator

D - Function button

E - Confirmation button

Display



Eco Mode is activated



Action Freeze is activated



Negative Temperature sign



Temperature



Temperature alarm



Drinks Chill is activated



Child Lock is activated

Switching on

Insert the plug into the power outlet. If the display is not illuminated, press button (A), to start the appliance.

For optimal food storage select the Eco Mode and the temperature is set to -18°C in the freezer.

- Wait ca. 24 h, before loading food into the freezer compartment.
- To select a different temperature see "Temperature regulation".

Switching off

The appliance is shut off by pressing button (A) until a countdown from -3 -2 -1 is completed.

Temperature regulation





The temperature may be changed by pressing the button (B).

The current temperature setting flashes and by pressing button (B) again the set temperature is possible to change in steps of one degree.


After some seconds is shown the set default temperature.

Functions Menu

By activating the key (D) the functions menu is operating. Each function could be confirmed by pressing button (E). If there is no confirmation after some seconds the display will go out from the menu and return in normal condition. The following functions are indicated:

-  Eco Mode function
-  Action Freeze function
-  Drinks Chill function
-  Child Lock function

Eco Mode Function


The Eco Mode function is activated by pressing key D (several times if necessary) until the corresponding icon appears  (or setting the temperature at -18°C).

You must confirm the choice by pressing key E within few seconds. You will hear the buzzer and the icon remains lighted.


In this condition the chosen temperatures are automatically set (-18°C), in the best conditions for storing food.

It is possible to de-activate the function at any time by changing the selected temperature in the compartment.

Action Freeze Function

To freeze fresh foods, press button (D) repeatedly to access the Action Freeze function. 

Confirm the selection by pressing button (E), and you will hear the buzzer and the display will show rotating lines.


To achieve maximum freezing capacity, allow a pre-cooling period of 24 hours, before placing the fresh food in the compartment with the symbol .

The freezing process takes 24 hours. During this period do not put other foods in the freezer.

This function stops automatically after 52 hours.

It is possible to deactivate the function at any time by pressing button (D) until the corresponding icon will flash and then button (E).





Drinks Chill Function

The Drinks Chill function is to be used as a safety warning when placing bottles in the freezer compartment. It is activated by pressing key (D) (several times if necessary) until the corresponding icon appears .

You must confirm the choice by pressing key (E) within few seconds. You will hear the buzzer and the icon remains lighted.

In this condition it operates a timer with a default value of 30 min. and it could change from 1 to 90 min., by pressing key (B) you select the minutes needed.


At the end of the selected time there are the following indications:

- on the indicator   the symbol  flashing
- the icon  flashing
- sounding of an acoustic alarm until key (E) is pressed

At this point bear in mind to remove the drinks contained in the freezer compartment.


It is possible to deactivate the function at any time by pressing key (D) until the corresponding icon will flash and then key (E).

Child Lock Function

The Child Lock function is activated by pressing key (D) (several times if necessary) until the corresponding icon appears . You must confirm the choice by pressing key (E) within few seconds. You will hear the buzzer and the icon remains lighted. In this condition any possible operation through the keys does not cause any change as long as this function is activated. It is possible to de-activate the function at any time by pressing key (D) until the corresponding icon will flash and then key (E).



Temperature alarm

Temperature increase in the freezer compartment (for example due to an power failure or door is open) is indicated by:

- flashing temperature
- flashing icon 
- acoustic buzzer

When normal conditions are restored:

- the acoustic alarm will stop
- the temperature value continues to flash
- the Alarm icon continues to flash

When you press button (E) to deactivate the alarm, the highest temperature reached in the compartment appears on indicator   for some seconds.

Then it returns on the normal operation showing the temperature of the selected compartment.

During the alarm phase, the buzzer can be switched off by pressing button (E).


First use

Cleaning the interior

Before using the appliance for the first time, wash the interior and all internal accessories with lukewarm water and some neutral soap so as to remove the typical smell of a brand-new product, then dry thoroughly.

Daily Use

Use of the freezer compartment

The symbol  means that the freezer is suitable for freezing fresh food and for long term storage. The temperature may be regulated between -15°C and -24°C . We

Important! Do not use detergents or abrasive powders, as these will damage the finish.

suggest setting the temperature to -18°C , which is optimal for energy consumption and frozen food storage.

Important! At start-up the displayed temperature don't correspond with the set temperature until stabilised (within 24 hours).

Difference between the temperature displayed and temperature setting is normal. Especially when:

- a new setting has recently been selected
- the door has been left open for a long time
- warm food has been placed in the compartment.

Difference until 5°C inside the compartment are quite normal.

During normal functioning the indicator shows the warmest temperature inside the compartment.

Storage of frozen food

When first starting-up or after a period out of use, before putting the products in the compartment let the appliance run at least 2 hours on the higher settings.

If large quantities of food are to be stored, remove all drawers and baskets from appliance and place food on cooling shelves to obtain the best performance.



Warning! Make sure that foods do not exceed the load limit stated on the side of the upper section (where applicable) ►

Important! In the event of accidental defrosting, for example due to a power failure, if the power has been off for longer than the value shown in the technical characteristics chart under "rising time", the defrosted food must be consumed quickly or cooked immediately and then re-frozen (after cooling).

Thawing

Deep-frozen or frozen food, prior to being used, can be thawed in the refrigerator compartment or at room temperature, depending on the time available for this operation.

Small pieces may even be cooked still frozen, directly from the freezer: in this case, cooking will take longer.

Cold accumulators

The freezer contains at least one cold accumulator which increases storage time in the event of a power cut or breakdown.

Ice-cube production

This appliance is equipped with one or more trays for the production of ice-cubes. Fill these trays with water, then put them in the freezer compartment.

Important! Do not use metallic instruments to remove the trays from the freezer.

Helpful Hints and Tips

Normal Operating Sounds

- You may hear a faint gurgling and a bubbling sound when the refrigerant is pumped through the coils or tubing. This is not a fault with the appliance and is a completely normal operating sound.
- When the compressor is on, the refrigerant is being pumped around and you will hear a whirring sound and a pulsating noise from the compressor. This is correct.
- The thermic dilatation might cause a sudden cracking noise. This is not a fault with the appliance and is a completely normal operating sound.

Hints for freezing

To help you make the most of the freezing process, here are some important hints:

- the maximum quantity of food which can be frozen in 24 hrs. is shown on the rating plate;
- the freezing process takes 24 hours. No further food to be frozen should be added during this period;
- only freeze top quality, fresh and thoroughly cleaned, foodstuffs;
- prepare food in small portions to enable it to be rapidly and completely frozen and to make it possible subsequently to thaw only the quantity required;
- wrap up the food in aluminium foil or polythene and make sure that the packages are airtight;

- do not allow fresh, unfrozen food to touch food which is already frozen, thus avoiding a rise in temperature of the latter;
- lean foods store better and longer than fatty ones; salt reduces the storage life of food;
- water ices, if consumed immediately after removal from the freezer compartment, can possibly cause the skin to be freeze burnt;
- it is advisable to show the freezing in date on each individual pack to enable you to keep tab of the storage time.

Hints for storage of frozen food

To obtain the best performance from this appliance, you should:

- make sure that the commercially frozen foodstuffs were adequately stored by the retailer;
- be sure that frozen foodstuffs are transferred from the foodstore to the freezer in the shortest possible time;
- not open the door frequently or leave it open longer than absolutely necessary.
- Once defrosted, food deteriorates rapidly and cannot be refrozen.
- Do not exceed the storage period indicated by the food manufacturer.

Care and cleaning



Caution! Unplug the appliance before carrying out any maintenance operation.



This appliance contains hydrocarbons in its cooling unit; maintenance and recharging must therefore only be carried out by authorised technicians.

Periodic cleaning

The equipment has to be cleaned regularly:

- clean the inside and accessories with lukewarm water and some neutral soap.
- regularly check the door seals and wipe clean to ensure they are clean and free from debris.
- rinse and dry thoroughly.

Important! Do not pull, move or damage any pipes and/or cables inside the cabinet. Never use detergents, abrasive powders, highly perfumed cleaning products or wax polishes to clean the interior as this will damage the surface and leave a strong odour.

Clean the condenser (black grill) and the compressor at the back of the appliance with a brush or a vacuum cleaner. This operation will improve the performance of the appliance and save electricity consumption.

Important! Take care of not to damage the cooling system.

Many proprietary kitchen surface cleaners contain chemicals that can attack/damage the plastics used in this appliance. For this reason it is recommended that the outer casing of this appliance is only cleaned with warm water with a little washing-up liquid added. After cleaning, reconnect the equipment to the mains supply.

Defrosting of the freezer

The freezer compartment of this model, on the other hand, is a "no frost" type. This means that there is no buildup of frost when it is in operation, neither on the internal walls nor on the foods.

The absence of frost is due to the continuous circulation of cold air inside the compartment, driven by an automatically controlled fan.

Periods of non-operation

When the appliance is not in use for long periods, take the following precautions:

- **disconnect the appliance from electricity supply**
- remove all food
- defrost²⁾ and clean the appliance and all accessories
- leave the door/doors ajar to prevent unpleasant smells.

If the cabinet will be kept on, ask somebody to check it once in a while to prevent the food inside from spoiling in case of a power failure.

2) If foreseen.

What to do if...

During operation of the appliance some smaller but annoying trouble can often occur, which does not require calling a technician out. In the following chart information is given about them to avoid unnecessary charges on service.

Important! The operation of the appliance goes with certain sounds (compressor and circulating sound). This not means a trouble, but a normal operation.

Important! The appliance operates discontinuously, so the stopping of compressor does not mean being no current. That is why you must not touch the electrical parts of the appliance before breaking the circuit.

Problem	Possible cause	Solution
The appliance is noisy.	The appliance is not supported properly.	Check if the appliance stands stable (all feet and wheels should be on the floor). Refer to "Levelling".
	The cushion spacers located between the back of the cabinet and the pipes come loose.	Put them back in place again.
The buzzer sounds. The Alarm icon flashing.	The temperature in the freezer is too high.	Refer to "High Temperature Alarm".
 is displayed in the temperature display	An error has occurred in measuring the temperature.	Call your service representative (the cooling system will continue to keep food products cold, but temperature adjustment will not be possible).
The compressor operates continually.	The Temperature regulator may be set incorrectly.	Set a warmer temperature.
	The door is not closed correctly.	Refer to "Closing the door".
	The door has been opened too frequently.	Do not keep the door open longer than necessary.
	The food temperature is too high.	Let the food temperature decrease to room temperature before storage.
	The room temperature is too high.	Decrease the room temperature.

Problem	Possible cause	Solution
There is too much frost and ice.	Food are not wrapped properly.	Wrap the food better.
	The door is not closed correctly.	Refer to "Closing the door".
	The door gasket is deformed or dirty.	Refer to "Closing the door".
The temperature in the appliance is too low.	The Temperature regulator may be set incorrectly.	Set a higher temperature.
The temperature in the appliance is too high.	The Temperature regulator may be set incorrectly.	Set a lower temperature.
	The door is not closed correctly.	Refer to "Closing the door".
	The food temperature is too high.	Let the food temperature decrease to room temperature before storage.
The temperature in the freezer is too high.	Food is too near to each other.	Store food so that there is cold air circulation.
	Large quantities of food to be frozen were put in at the same time.	Insert smaller quantities of food to be frozen at the same time.
The appliance does not operate.	The appliance is switched off.	Switch on the appliance.
	The mains plug is not connected to the mains socket correctly.	Connect the mains plug to the mains socket correctly.
	The appliance has no power. There is no voltage in the mains socket.	Connect another electrical appliance to the mains socket. Check fuse. Contact a qualified electrician.
	The door has been open to long.	Close the door.
A large quantity of drops ice covers the top compartment inside the appliance. .	There is too much frost and ice on the evaporator of the appliance, the door was open for too long time.	Refer to "Cleaning the evaporator".

As much as the advice does not lead to result, call the nearest brand-mark service.

Closing the door

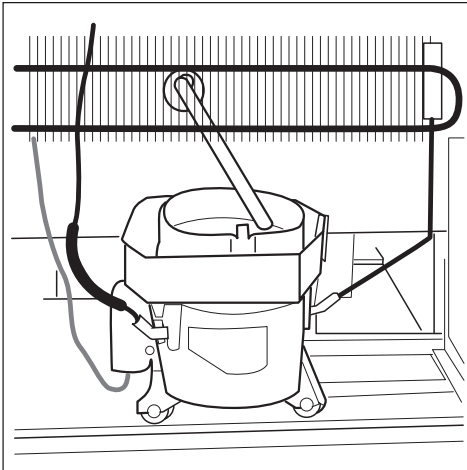
1. Clean the door gaskets.
2. If necessary, adjust the door. Refer to "Installation".

3. If necessary, replace the defective door gaskets. Contact the Service Force Centre.

Cleaning the evaporator

1. Switch off the appliance.

2. Disconnect the mains plug from the mains socket.
3. Remove all foods from the freezer and put them in a fresh place.
4. Move the appliance far from the wall.
5. Leave the door open.
6. After approximately 20 minutes the drain hose at the rear of the cabinet starts to discharge water into the drip tray.
7. To prevent the water overflowing from the drip tray dry with a sponge.



8. The defrosting process ends when the water stops dripping. It may take several hours if the problem started long before.
9. Move the appliance to the original position.
10. Clean and dry the inside of the appliance.
11. Connect the mains plug into the mains socket.
12. Switch on the appliance.

Technical data

Dimension of the recess		
	Height	1600 mm
	Width	600 mm
	Depth	650 mm
Rising Time		20 h
Voltage		230-240 V
Frequency		50 Hz

The technical information are situated in the rating plate on the internal left side of the appliance and in the energy label.

Installation

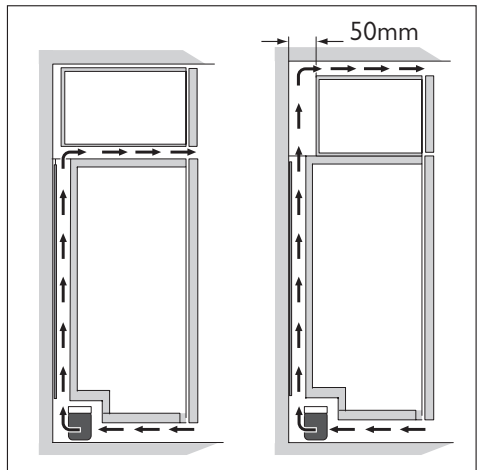


Read the "Safety Information" carefully for your safety and correct operation of the appliance before installing the appliance.

Location

To ensure best performance, if the appliance is positioned below an overhanging wall unit, the minimum distance between the top of the cabinet and the wall unit must be at least 40 mm. Ideally, however, the appliance should not be positioned below overhanging wall units.

If the cabinet is placed in a corner and the side with the hinges facing the wall, the distance between the wall and the cabinet must be at least 10 mm to allow the door to open enough so that the equipment can be removed.

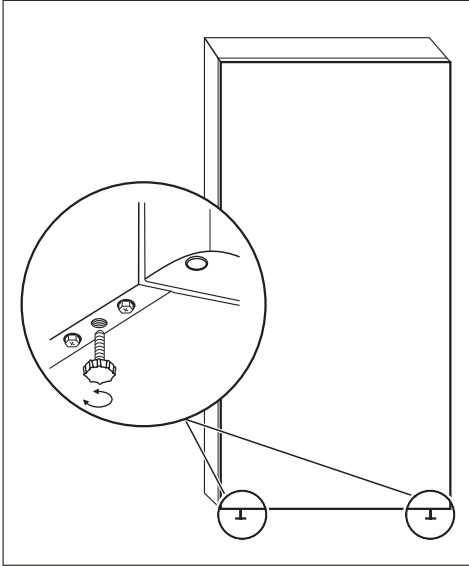


The ventilation space can be:

- directly above the appliance
- behind and above the top cupboard. In this case, the space behind the top cupboard must be at least 50 mm deep.

Levelling

When placing the appliance ensure that it stands level. This can be achieved by two adjustable feet at the bottom in front.



Positioning



Warning! If you are discarding an old appliance that has a lock or catch on the door, you must ensure that it is made unusable to prevent young children being trapped inside.

Important! The appliance should have the plug accessible after installation.

Install this appliance at a location where the ambient temperature corresponds to the climate class indicated on the rating plate of the appliance:

Climate class	Ambient temperature
SN	+10°C to + 32°C

Climate class	Ambient temperature
N	+16°C to + 32°C
ST	+16°C to + 38°C
T	+16°C to + 43°C

Electrical Connection

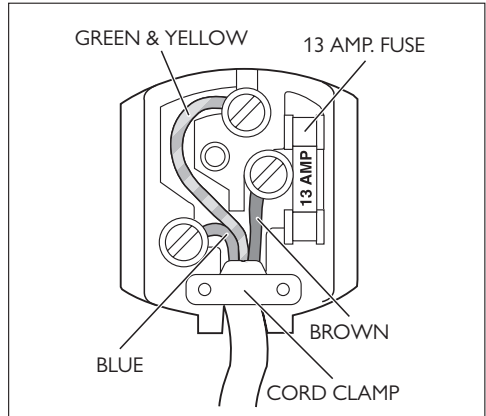


Caution! Any electrical work required to install this appliance should be carried out by a qualified electrician or competent person.



Warning! This appliance must be earthed. The manufacturer declines any liability should these safety measures not be observed.

Important! The wires in the mains lead are coloured in accordance with the following code:




- 1** Green and Yellow: Earth
- 3** Brown: Live
- 5** Blue: Neutral

As the colours of the wires in the mains lead of this appliance may not correspond with the coloured markings identifying the terminals in your plug, proceed as follows:

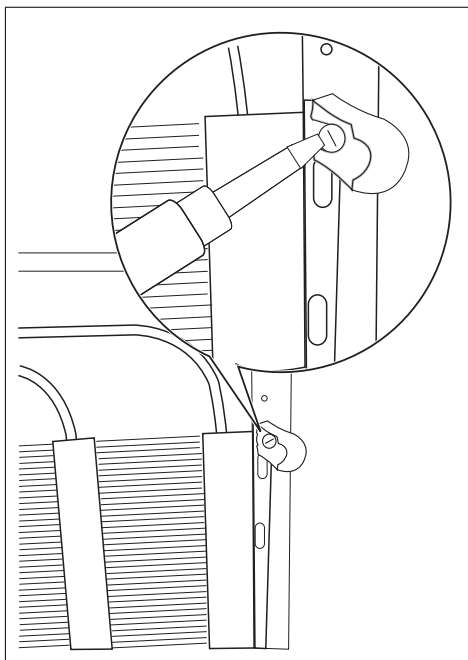
1. Connect the wire coloured green and yellow to the terminal marked either with the letter "E" or by the earth symbol \oplus or coloured green and yellow.
2. Connect the wire coloured blue to the terminal either marked with the letter "N" or coloured black.
3. Connect the wire coloured brown to the terminal either marked with the letter "L" or coloured red.
4. Check that no cut, or stray strands of wire is present and the cord clamp **4** is secure over the outer sheath.
5. Make sure the electricity supply voltage is the same as that indicated on the appliance rating plate.
6. Switch on the appliance.

The appliance is supplied with a 13 amp plug fitted **2**. In the event of having to change the fuse in the plug supplied, a 13 amp ASTA approved (BS 1362) fuse must be used.

 **Warning!** A cut off plug inserted into a 13 amp socket is a serious safety (shock) hazard. Ensure that it is disposed of safely.


Rear spacers

Inside the appliance you find two spacers which must be fitted as shown in the figure.



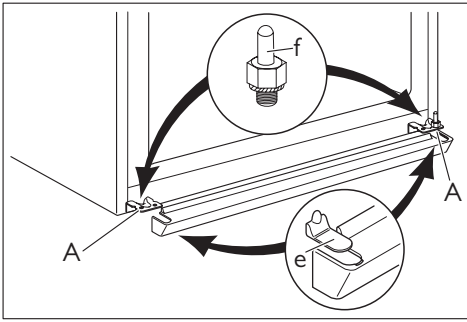
Slacken the screws and insert the spacer under the screw head, then retighten the screws.

Door reversibility

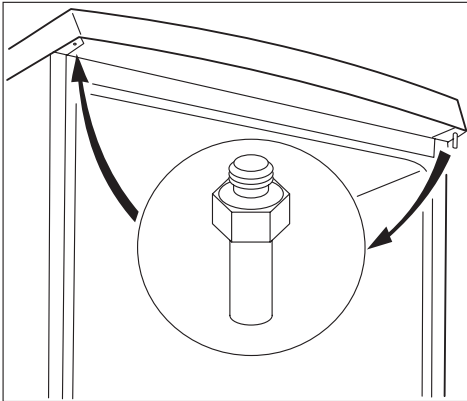
 **Warning!** Before carrying out any operations, remove the plug from the power socket.

To carry out the following operations, we suggest that this be made with another person that will keep a firm hold on the door of the appliance during the operations. Gently lay the appliance on its back. To change the opening direction of the door, do these steps:

1. Remove the clip-in ventilation grille, remove the plug (e) from the ventilation grille and install it on the opposite side.
2. Remove the bottom hinge (A) by unscrewing the fixing screws.

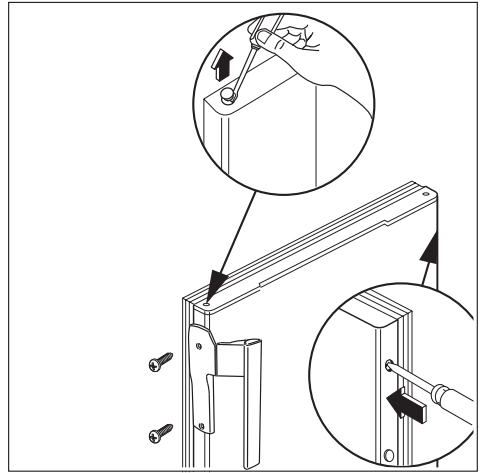


3. Remove the door.
4. Unscrew the pin (f) of the bottom hinge and install it on the opposite side.
5. Unscrew the pin of the upper hinge and install it on the opposite side.



6. Install the door in the upper hinge.
7. Install the ventilation grille, clipping it into place.
8. Unscrew the handle. Remove the plug with a punch. Install the handle and the plug on opposite side. Take from the

accessory bag the two plugs and cover the holes left open after having removed the handle.



9. Make sure that the front board of the door is parallel to the front board of the top.
10. Reposition, level the appliance, wait for at least four hours and then connect it to the power socket.

Do a final check to make sure that:

- All screws are tightened.
- The magnetic seal adheres to the cabinet.
- The door opens and closes correctly.

If the ambient temperature is cold (i.e. in Winter), the gasket may not fit perfectly to the cabinet. In that case, wait for the natural fitting of the gasket.

Repairs-After Sales Service

If the unlikely event of your appliance requiring service, or if you wish to purchase spare parts, please contact our extended warranty administrators by telephoning:

0870 010 7887

They will give you details of your local Service Force Centre.

Before calling out an engineer, please ensure you have read the details under the heading "What to do if".

When you contact your local repair agent you will need to give the following details:

1. Your name, address and post code.
2. Your telephone number.
3. Clear and concise details of fault.
4. The purchase date (found on your receipt).
5. The model and serial number of the appliance (found on the rating plate).

So that you always have these numbers at hand, we recommend that you make a note of them here:

Mod. :
...
PNC :
...

S.No. :
...

Your appliance is covered by a 3 year parts and labour guarantee (see separate details given at point of sale). Please retain your purchase receipt safely for the service engineer to verify the purchase details.

Spare parts


An authorised service engineer should service this product and only genuine spare parts should be used.

Under no circumstances should you attempt to repair the machine yourself. Repairs carried out by inexperienced persons may cause injury or serious malfunctioning.

Contact your local repair agent by telephoning:

0870 010 7887

Environmental concerns

The symbol  on the product or on its packaging indicates that this product may not be treated as household waste. Instead it should be taken to the appropriate collection point for the recycling of electrical and electronic equipment. By ensuring this product is disposed of correctly, you will help prevent potential negative consequences for the environment and human health, which could otherwise be caused by inappropriate waste handling of this product. For more detailed information about recycling of this product, please contact your local council, your household waste disposal service or the shop where you purchased the product.

John Lewis Partnership

171 Victoria Street
London SW1E 5NN
www.johnlewis.com

Free Manuals Download Website

<http://myh66.com>

<http://usermanuals.us>

<http://www.somanuals.com>

<http://www.4manuals.cc>

<http://www.manual-lib.com>

<http://www.404manual.com>

<http://www.luxmanual.com>

<http://aubethermostatmanual.com>

Golf course search by state

<http://golfingnear.com>

Email search by domain

<http://emailbydomain.com>

Auto manuals search

<http://auto.somanuals.com>

TV manuals search

<http://tv.somanuals.com>