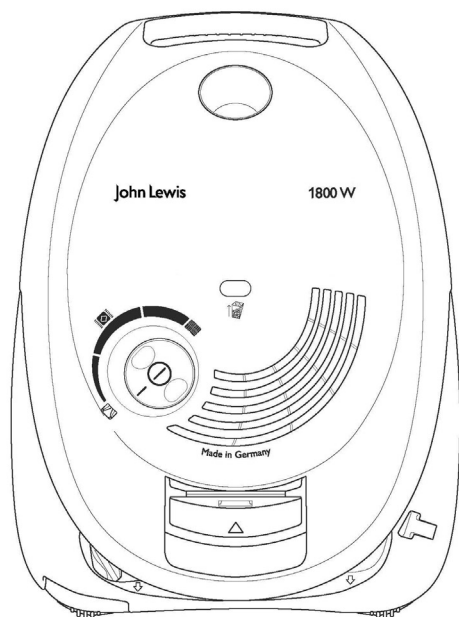


JLVS06

1800 W Vacuum cleaner

Instruction manual



John Lewis

It is most important that this instruction manual should be retained with the appliance for future reference.

Should the appliance be sold or transferred to another owner, or should you move house and leave the appliance, always ensure that the book is supplied with the appliance in order that the new owner can get to know the functioning of the appliance and the relevant warnings.

These warnings have been provided in the interest of safety.

You **MUST** read them carefully before use or installation by a qualified person. If you are unsure of the meanings of these warnings contact the John Lewis branch from which you purchased the appliance.

Intended use	4
Safety information	4
Disposal information	5
Your vacuum cleaner	6
Setting up	7
Vacuuming	10
When the work is done	13
Changing the dust bag	14
Care	17
Repairs - After Sales Service	18
Spare parts	19

Please keep this instruction manual.
When passing the vacuum cleaner on to a third party, please also pass on this instruction manual.

Intended use

This vacuum cleaner is intended for domestic use only, not for commercial use. This vacuum cleaner should only be used in accordance with the instructions in this manual.

The manufacturer will not accept any responsibility for damage caused by improper use or incorrect operation. Therefore, please note the following points. The vacuum cleaner must only be operated with:

- Original dust bags
- Manufacturer's replacement parts, accessories and optional accessories

The vacuum cleaner is not to be used for:

- Vacuuming persons or animals
- Vacuuming up:
 - Insects and spiders
 - Hazardous, sharp-edged, hot or burning substances.
 - Damp or liquid substances.
 - Highly flammable or explosive substances and gases
 - Ash, soot from tiled stoves and central heating systems

Safety information

This vacuum cleaner complies with the recognised rules of technology and the relevant safety regulations.

We confirm compliance with the following European directives: 89/336/EEC (amended by Directives 91/263/EEC, 92/31/EEC and 93/68/EEC). 73/23/EEC (amended by Directive 93/68/EEC).

- Only connect to a power supply and operate the vacuum cleaner in accordance with the rating plate.
- Never use the vacuum cleaner without the dust bag.
=> This can damage the vacuum cleaner!
- Only allow children to use the vacuum cleaner under supervision.
- Keep suction away from your face when using the handle, nozzles or pipe.
=> Risk of injury!
- Do not carry/transport the vacuum cleaner by the power cord.
- Remove the power cord completely from the power supply after using the vacuum cleaner continuously for several hours.
- When disconnecting the appliance from the mains, pull the plug, not the power cord.
- Do not pull the power cord around sharp corners or allow it to become trapped.
- Unplug the power cord from the mains before carrying out any work on the vacuum cleaner or its accessories.
- Do not use the vacuum cleaner if it is damaged. Unplug the power cord from the mains if a fault is detected.
- For safety reasons, only authorised after-sales service personnel are permitted to carry out repairs and fit replacement parts to the vacuum cleaner.
- Protect the vacuum cleaner from moisture and sources of heat.
- Do not vacuum any drill dust or building rubble
=> this can damage the vacuum cleaner.

- Switch off the vacuum cleaner when it is not in use.
- At the end of its life, the vacuum cleaner should be disposed of in an appropriate manner.

Disposal information

● Packaging

The packaging is designed to protect the vacuum cleaner from being damaged during transportation.

It is made of environment-friendly materials and can be recycled.

Dispose of unneeded packaging at the appropriate recycling points.

● Used vacuum cleaners

Old appliances still contain many recyclable materials.

Therefore, please take used appliances to your retailer or recycling centre so that they can be recycled.

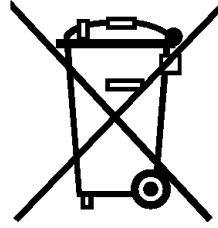
For current disposal methods, please enquire at your appliance dealership or local council.

! Please note

- The mains socket must be protected by a 13A fuse.

If a fuse should blow when you switch on the vacuum cleaner, this may be because other electrical appliances which have a high current draw are connected to the same power circuit.

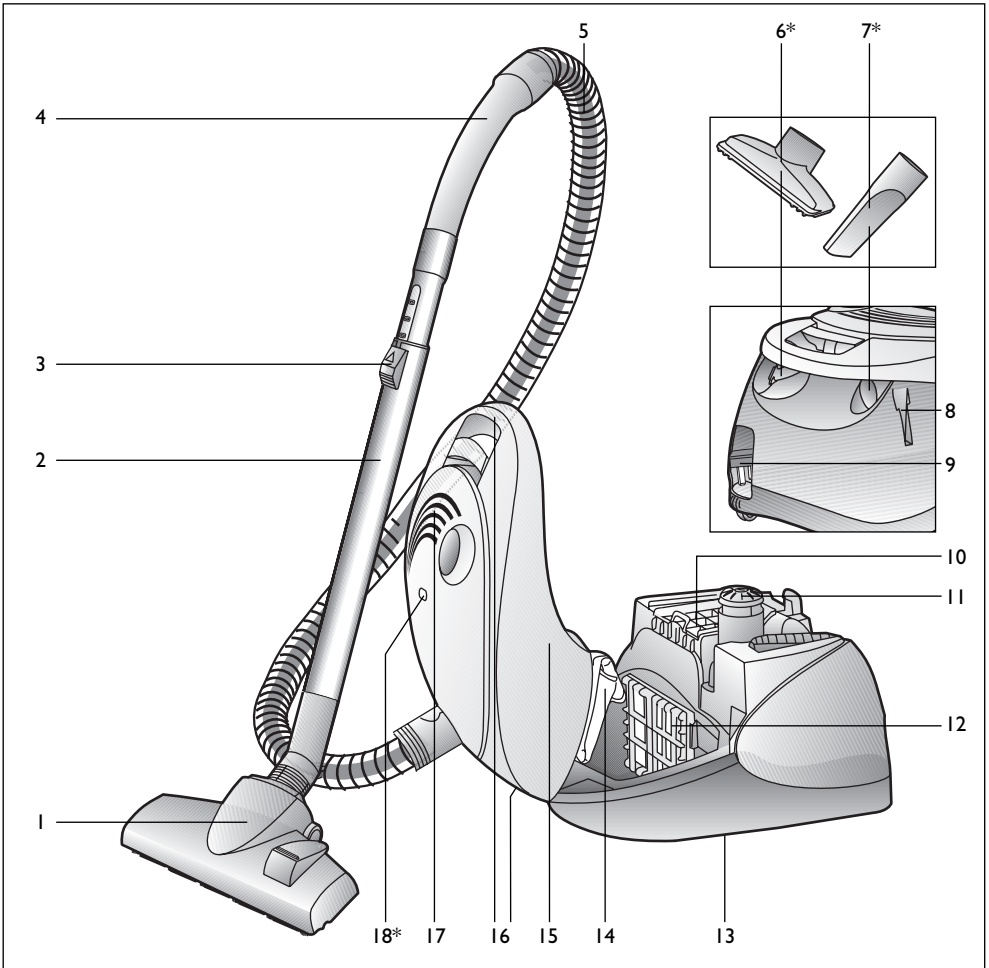
To prevent the fuse from tripping, select the lowest power setting before switching the vacuum cleaner on, and increase the power only once it is running.



This appliance is labelled in accordance with European Directive 2002/96/EG concerning used electrical and electronic appliances (waste electrical and electronic equipment - WEEE).

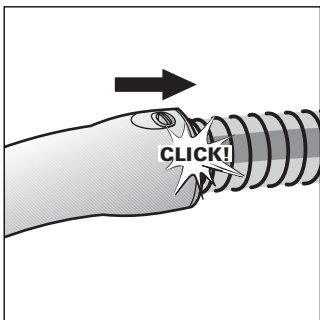
The guideline determines the framework for the return and recycling of used appliances as applicable throughout the EU.

Your vacuum cleaner



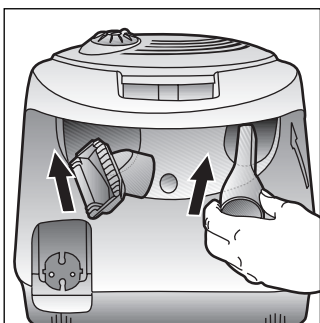
- | | |
|-------------------------|--|
| 1 Adjustable floor tool | 11 On/off button with electronic suction regulator |
| 2 Telescopic tube | 12 Motor protection filter, washable |
| 3 Sliding switch | 13 Storage aid (on underside of unit) |
| 4 Handle | 14 Dust bag |
| 5 Flexible tube | 15 Dust bag compartment lid |
| 6 Upholstery nozzle | 16 Carrying handles (on the front and back) |
| 7 Crevice nozzle | 17 Exhaust grille |
| 8 Parking aid | 18 Dust bag change indicator |
| 9 Power cord | |
| 10 Exhaust filter | |

Setting up

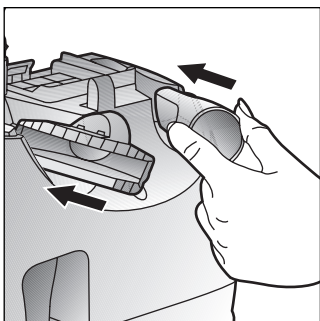


Before using for the first time

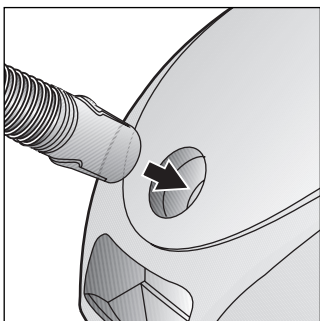
Push the handle onto the flexible tube and until it engages.



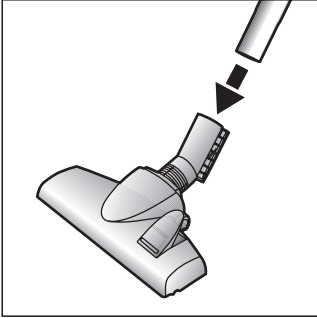
Push the crevice nozzle and upholstery nozzle back into the accessories holder as indicated.



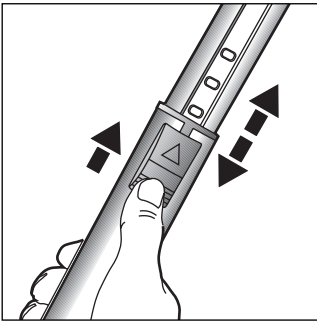
Insert the flexible hose connector into the opening on the vacuum cleaner until it engages.



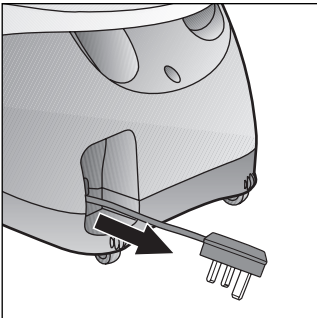
Setting up



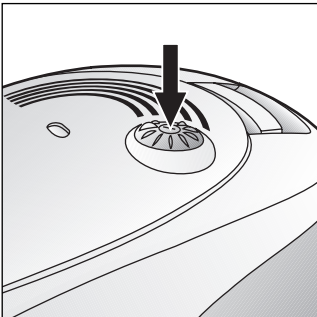
Insert the telescopic tube into the adapter of the floor tool.



Unlock the telescopic tube to adjust its length by moving the sliding switch in the direction of the arrow.

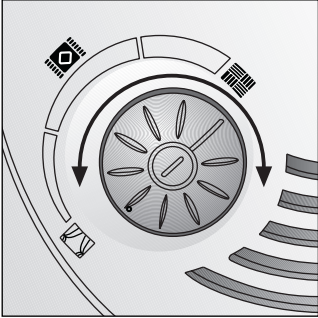


Holding the power cord by the plug, pull out the required length and plug the plug into the mains socket.



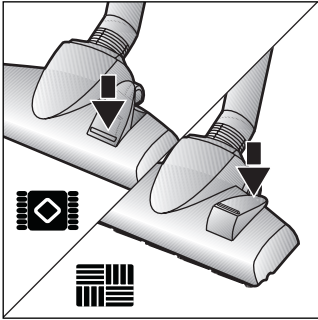
Press the on/off button in the direction of the arrow to switch your vacuum cleaner on/off.

Setting up



Adjust the suction by turning the on/off button in the direction of the arrow.

Vacuuming



Adjusting the floor tool:

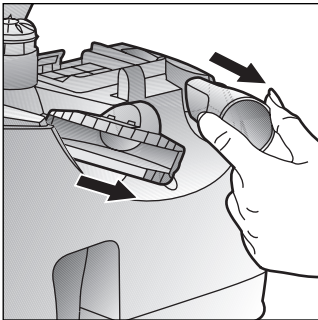
- For cleaning rugs and carpets



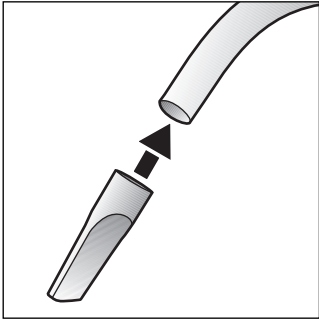
- For cleaning hard floors



Remove the upholstery nozzle and crevice nozzle from the accessories holder as illustrated.



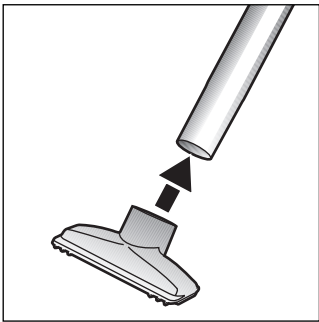
Vacuuming



Vacuuming with accessories

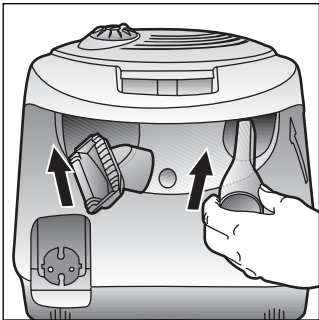
Attach the nozzles to the suction pipe or handle as required:

Crevice nozzle for vacuuming crevices and corners, etc.

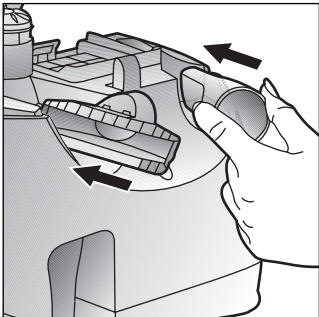


Upholstery nozzle

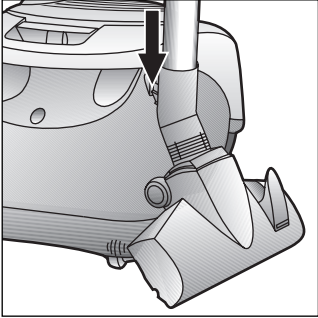
for vacuuming upholstered furniture, curtains, etc.



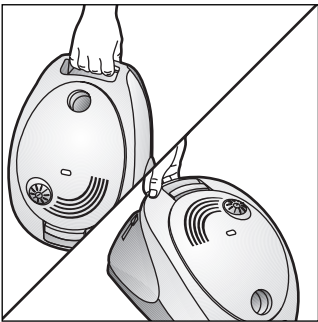
After use, push the crevice nozzle and upholstery nozzle back into the accessories holder as indicated.



Vacuuming

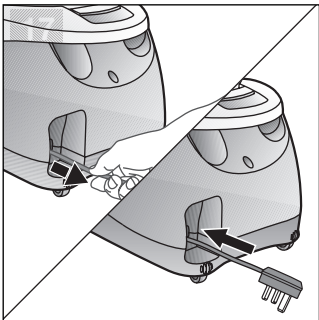


You can use the parking aid on the side of the vacuum cleaner if you wish to stop vacuuming for a short time. Once you have switched off the vacuum cleaner, slide the catch on the floor tool into the groove on the side of the appliance.

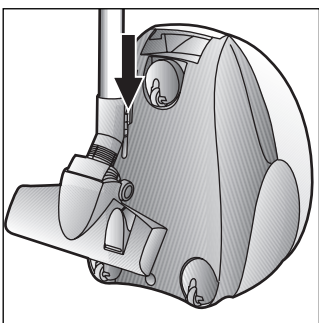


The appliance can also be carried using one of the two handles when vacuuming steps, for example.

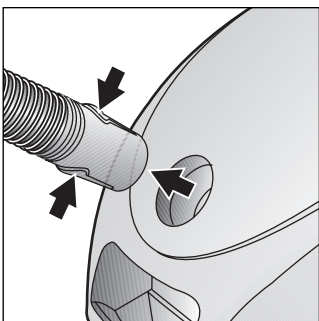
When the work is done



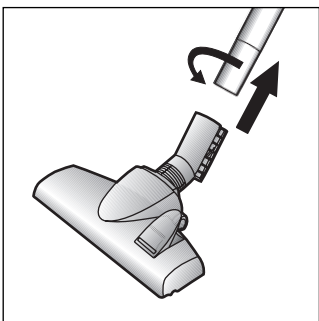
Unplug the vacuum cleaner.
Tug the power cord briefly and let go.
The cable then rewinds automatically.



To store or transport the vacuum cleaner, use the parking aid on the underside of the vacuum cleaner.
Stand the vacuum cleaner upright. Slide the catch on the floor tool into the groove on the underside of the appliance.

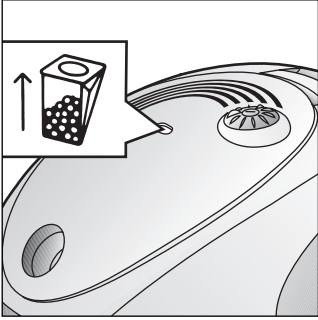


To remove the flexible tube, press the two lugs together and pull the tube out.



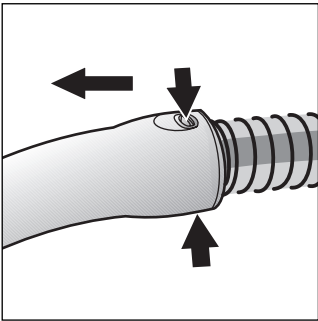
To remove it, turn the handle slightly and pull it off the tube.

Changing the dust bag

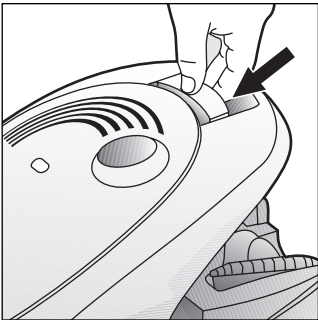


Replacing the dust bag

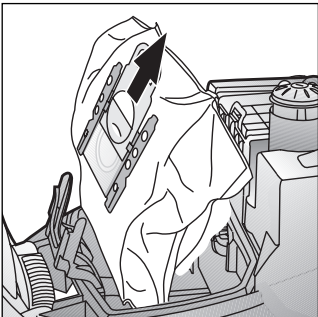
If the dust bag change indicator is completely yellow when the floor tool is lifted from the floor and the highest suction power is selected, the dust bag must be changed, even though it may not yet be full. In this case it is essential to change the dust bag due to the type of material it contains. The nozzle, suction pipe and flexible tube must not be blocked, as this would also lead to dust bag change indicator being triggered.



The handle can easily be detached from the hose to remove blockages.

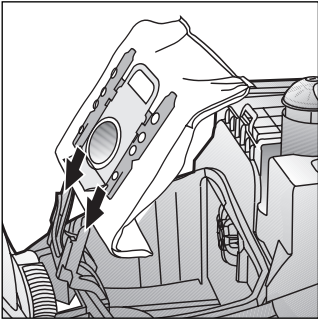


Open the lid by moving the locking lever in the direction of the arrow.



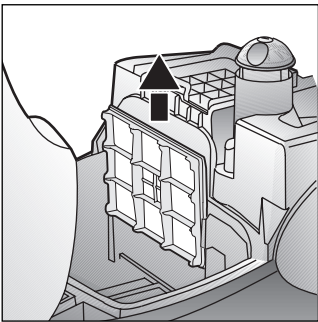
Seal the dust bag by pulling the sealing strip and then remove it.

Changing the dust bag



Slide the new dust bag into the holder to the stop.

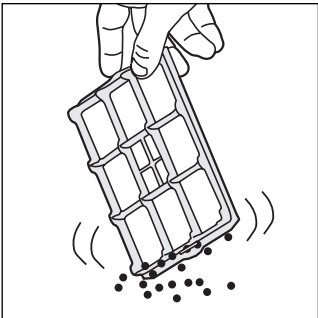
Caution: The lid can only be closed when a dust bag has been inserted.



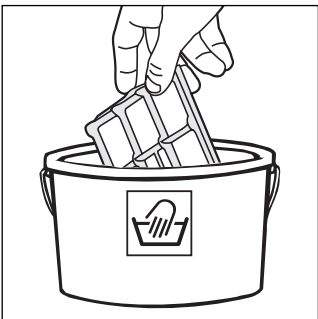
Cleaning the motor protection filter

The motor protection filter should be cleaned at regular intervals by tapping it or washing it out.

- Open the dust compartment cover.
- Remove the motor protection filter in the direction of the arrow.

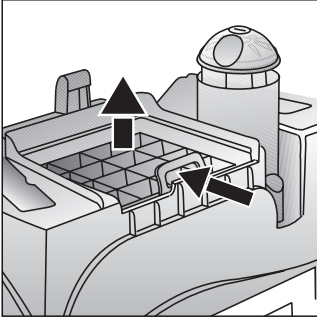


- Empty the motor protection filter by tapping it.



- If the motor protection filter is very dirty, wash it out. Leave the filter to dry for at least 24 hours.
- After cleaning, insert the motor protection filter in the machine and close the dust compartment cover.

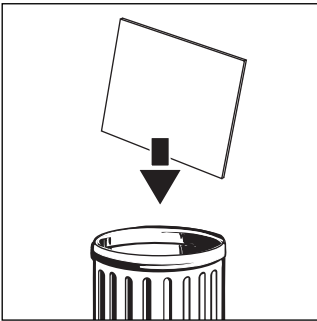
Changing the dust bag



Replacing the micro-hygiene filter

The micro-hygiene filter should be changed: when starting a new pack of bags

- Open the dust bag compartment lid.
- Release the filter holder by moving the locking lever in the direction of the arrow.
- Remove the micro-hygiene filter. Insert the new micro-hygiene filter into the vacuum cleaner.
- Reinsert the filter holder and clip into place.



Care

- Always switch the vacuum cleaner off and disconnect the power cord from the mains before cleaning the vacuum cleaner.
- The vacuum cleaner and plastic accessories can be cleaned with a commercial plastic cleaner.

Do not use abrasive, glass or all-purpose cleaners.

Never immerse the vacuum cleaner in water.

- The dust compartment can, if necessary, be cleaned with a second vacuum cleaner or simply wiped with a dry cloth or dusting brush.

Subject to technical changes.

Repairs - After Sales Service

In the event of your appliance requiring service, or if you wish to purchase spare parts, please contact our extended warranty administrators by telephoning:

0844 8929037

They will give you details for your local Service Force Centre.

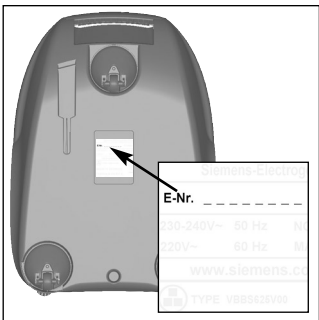
Service Force are the appointed national appliance repair agents responsible for warranty repairs to this appliance.

When you contact the Service Force Centre you will need to give the following details:

1. Your name, address and post code
2. Your telephone number
3. Clear and concise details of fault
4. The purchase date and found on your receipt.
5. The model number of the appliance (found on the rating plate - see picture)

So that you always have this number to hand, we recommend you to make a note of it here.

Model (E-Nr.)



UK Guarantee

For 2 years in respect of defects found to be due to faulty workmanship or materials. Proof of purchase is required for validity of the guarantee. This guarantee is no longer valid if the damage has been caused by fall, alteration or repair by any unauthorised persons.

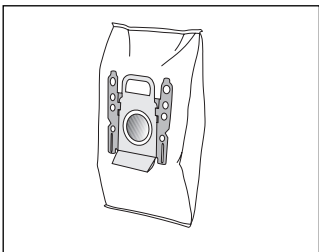
This guarantee in no way affects your statutory rights

Spare parts

Always insist on genuine spare parts.

An authorised service engineer should service this product, and only genuine spare parts should be used.

Under no circumstances should you attempt to repair the vacuum cleaner yourself. Repairs carried out by inexperienced persons may cause injury or serious malfunctioning. Contact your local John Lewis Branch.



Replacement filter pack 856 67201

Contains:

5 self-sealing dust bags

1 micro-hygiene filter

John Lewis Partnership
171 Victoria Street
London SW1E 5NN
www.johnlewis.com

9000 578 818 A

Free Manuals Download Website

<http://myh66.com>

<http://usermanuals.us>

<http://www.somanuals.com>

<http://www.4manuals.cc>

<http://www.manual-lib.com>

<http://www.404manual.com>

<http://www.luxmanual.com>

<http://aubethermostatmanual.com>

Golf course search by state

<http://golfingnear.com>

Email search by domain

<http://emailbydomain.com>

Auto manuals search

<http://auto.somanuals.com>

TV manuals search

<http://tv.somanuals.com>