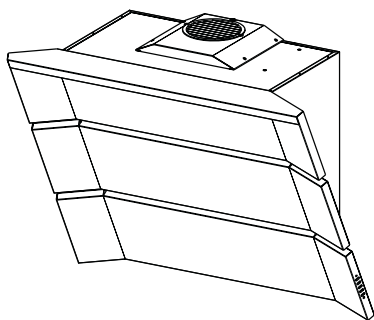


# JLBIHD908

## Built-in cooker hood

Instruction manual



# John Lewis

# Important safety information



**It is most important that this instruction manual should be retained with the appliance for future reference. Should the appliance be sold or transferred to another owner, or should you move house and leave the appliance, always ensure that the book is supplied with the appliance in order that the new owner can get to know the functioning of the appliance and the relevant warnings. These warnings have been provided in the interest of safety. You MUST read them carefully before use or installation by a qualified person. If you are unsure of the meanings of these warnings contact the John Lewis branch from which you purchased the appliance.**

## Installation

- Any installation work must be undertaken by a qualified and competent person to the relevant National Standards.
- This hood must be installed in accordance with the installation instructions and all measurements must be adhered to.
- If the cooker hood is installed for use above a gas appliance then the provision for ventilation must be in accordance with the Gas Safety Codes of Practice BS.6172, BS.5440 and BS.6891 (Natural Gas) and BS.5482 (LP Gas) 1994, the Gas Safety (Installation & Use) Regulations, the Building Regulations issued by the Department of the Environment, the Building standards (Scotland) (Consolidated) Regulations issued by the Scottish Development Department.
- The fan motor of this cooker hood incorporates a cut-out device which will operate if the cooker hood is installed below the minimum height recommended under section 'Clearance Height', or if the motor becomes overheated. If the cut-out device is activated, switch off the fan motor and allow the cooker hood to cool. The cut-out device will reset itself when the fan motor has cooled significantly.
- It is dangerous to alter the specifications or modify this product in any way.
- When installed between adjoining wall cabinets the wall cabinets must not overhang the hob.
- If the room where the hood is to be used contains a fuel burning appliance such as a central heating boiler then its flue must be of the room sealed or balanced flue type.
- If other types of flue or appliances are fitted ensure that there is an adequate supply of air to the room.
- The ducting system for this appliance must not be connected to any existing ventilation system which is being used for any other purpose.
- Do not install above a cooker with a high level grill.

## Child Safety

- This appliance is designed to be operated by adults. Children should not be allowed to tamper with the controls or play with the appliance.
- Keep all packaging materials away from children.

## Use

- This product is for domestic use only.
- Never leave frying pans unattended during use as overheated fats and oils might catch fire.
- Never do flambé cooking under this cooker hood.
- Do not leave naked flames under the hood.
- This cooker hood is designed to extract unpleasant odours from the kitchen, it will not extract steam.

## Maintenance and Cleaning


- This appliance can be a hazard if the synthetic paper and charcoal filters are not replaced as recommended.

## Service

- Under no circumstances should you attempt to repair the appliance yourself. Repairs carried out by inexperienced persons may cause injury or more serious malfunction. Refer to your local Service Force Centre. Always insist on genuine spare parts.



## Environmental Information

- After installation please dispose of the packaging with due regard to safety and the environment.
- The symbol  on the product or on its packaging indicates that this product should not be treated as normal household waste. Instead it should be taken to the appropriate collection point for the recycling of electrical and electronic equipment. By ensuring this product is disposed of correctly, you will help prevent potential negative consequences for the environment and human health, which could otherwise be caused by inappropriate waste handling of this product. For more detailed information about recycling of this product, please contact your local council, your household waste disposal service or the shop where you purchased the product.

# Contents

## For the User

Important Safety Information	2
Description of the Appliance	4
Using the cooker hood	9
Cooker Hood Controls	9
To Operate	10
Recirculation	10
Extraction	10
Maintenance and Cleaning	11
External Cleaning	11
Cleaning the Ducting panels	11
Metal Grease Filters	11
Charcoal Filters	12
To Remove/Replace Charcoal Filter	12
Changing the Halogen Spot Lamp	13
Something Not Working	14
Repairs and After Sales Service	14

## For the Installer

Electrical Connections	8
Electrical Requirements	8
Electrical Connection	8
Installing the Cooker Hood	5
Installation Requirements	5
Unpacking	5
Fitting the Wall Brackets	6
Fitting the Canopy Hood	6
Extraction	7
Recirculation	7

## Guide to use the Instruction Manual

The following symbols will be found in the text to guide you through the instruction book



Safety instructions



Step by step instructions



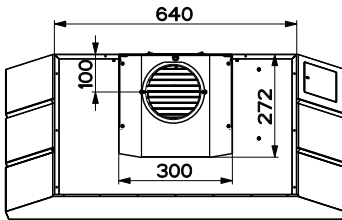
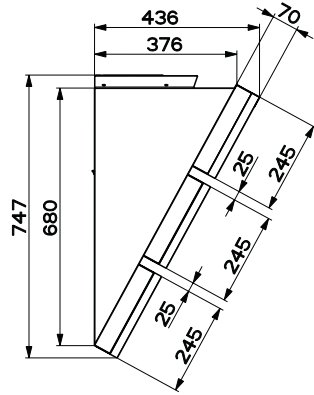
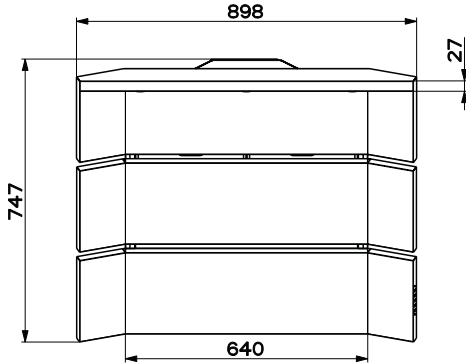
Environmental Information



This appliance complies with the followings **E.E.C. Directives**:

- **89/336** (Electromagnetic Compatibility Directive)
- **73/23** (Low Voltage Directive)
- **93/68** (General Directives) and subsequent modifications

# Description of the appliance



# Installation

Please ensure that when the appliance is installed it is easily accessible to an engineer in the event of a breakdown.

**⚠** All installations must comply with the local authorities requirements for the discharge of exhaust air.

Incorrect installation may affect the safety of this cooker hood.

## Installation Requirements

**⚠** Before installation check the wall to which the cooker hood is to be fitted for electric cables, water pipes or gas.

The chimney hood must be installed according to the instructions suppliers below and by qualified and competent personnel to the relevant National Standards.

This cooker hood is designed to be fixed to any vertical surface over a cooking area, and can be used in the extraction (ducted to the outside) or recirculation mode.

The installation work must be undertaken by a qualified and competent person.

The manufacturer disclaims any responsibility for damage due to incorrect installation of the cooker hood or if the hood is not installed in compliance with relevant regulations controlling this type of installation.

## Unpacking

Before unpacking the cooker hood position the carton with the arrows pointing upwards as illustrated on the carton.

The cooker hood is made up of the following components:

### Ref Qty Product Components

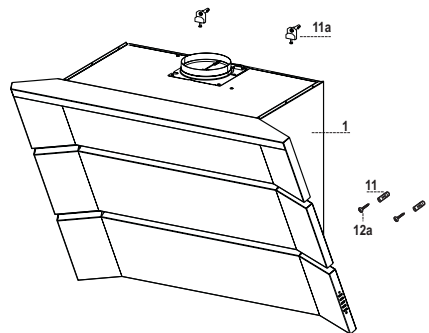
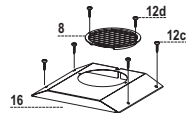
1	1	Canopy complete with: Controls, Lighting, Fan Assembly, Grease Filter, Charcoal Filter.
8	1	Recirculation grille
16	1	Filter Cover

### Ref Qty Installation Components

11	2	Security Wall plugs
11a	2	Wall plugs SB 12/10
12a	2	Security screws
12c	4	Filter cover fixing screws
12d	2	Recirculation grille fixing screws

### Ref Qty Documentation

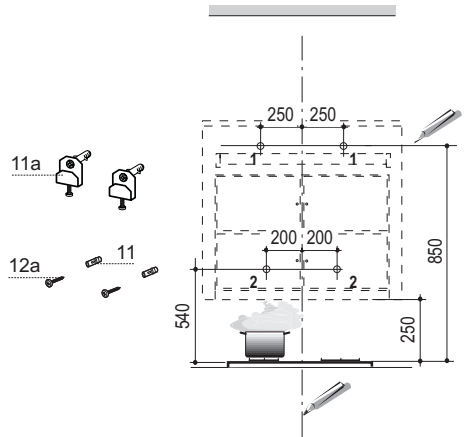
1	1	Instruction booklet
---	---	---------------------



# Installing the cooker hood

## Fitting the wall brackets

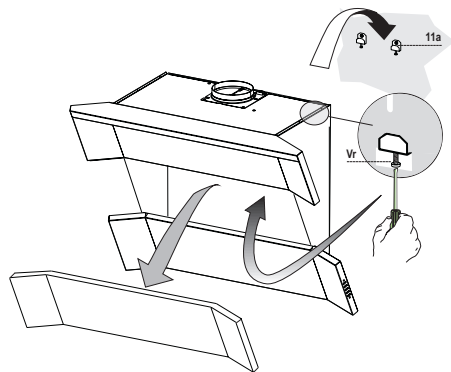
- Draw a vertical line on the supporting wall up to the ceiling, or as high as practical, at the centre of the area in which the hood will be installed.
- Draw a horizontal line at 850 mm above the hob.
- Mark a point **(1)** on the horizontal line, 250 mm to the right of the vertical reference line.
- Repeat this operation on the other side, checking that the two marks are level.
- Mark a reference point **(2)** as indicated at 200 mm from the vertical reference line and 540 mm above the hob.
- Repeat this operation on the other side, checking that the two marks are level.
- Drill at the points **(1)** marked, using a  $\varnothing$  12 mm drill bit.
- Drill at the points **(2)** marked, using a  $\varnothing$  8 mm drill bit.
- Insert the bracket plugs **11a** into the holes **1** and screw into place.
- Insert the wall plugs **11** in the holes **2**.



**Note:** If the hood is to be installed onto a hollow construction or plaster or partition board wall then special fixing screws will be required (not supplied).

## Fitting the canopy hood

- Disconnect by pulling only the central ducting panels.
- Remove the metal grease filters (see Maintenance paragraph).
- Adjust the two screws **Vr**, on brackets **11a**, to a minimum.
- Hook the hood canopy onto the two brackets **11a**.
- From inside the hood canopy, adjust the screws **Vr** to set the Hood Canopy level.
- Tighten the safety screw **12a**.



## Extraction (Ducted)

The cooker hood is more effective when installed in the extraction mode (ducted to the outside).

Venting kits may be purchased through your retailer or DIY store, and must be evacuated through an outside vent of  $\varnothing 125$  (5ins) or  $\varnothing 150\text{mm}$  (6ins).

The ducting used must be manufactured from fire retardant material conforming to the relevant British Standard or DIN 4102-B1.

**When the cooker hood is ducted to the outside the charcoal filter must be removed.**

### Fitting the Ducting

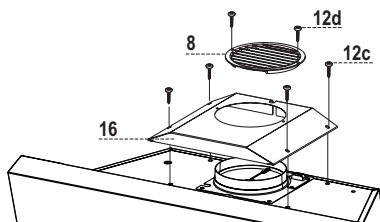
- To install the Ducting Version of the hood, the optional Ducting chimney kit must be purchased.

## Recirculation Mode

The cooker hood is supplied specified for use in the recirculation mode, with the charcoal filter fitted.

In the recirculation mode contaminated air is passed through the charcoal filter to be purified and recirculated into the kitchen through the grille outlets on either side of the chimney.

- Screw the filter cover item **16** onto the air outlet, using four screws **12c** (2,9 x 12,5) supplied.
- Fix the directional grille item **8** on the recirculation air outlet using the 2 screws **12d** (2,9 x 9,5) supplied.
- Ensure the activated charcoal filter has been fitted.



# Electrical connection

 **THIS APPLIANCE MUST BE EARTHED**

## Electrical requirements

Any permanent electrical installation must comply with the latest I.E.E. Regulations and local Electricity Board regulations. For your own safety this should be undertaken by a qualified electrician e.g. your local Electricity Board, or a contractor who is on the roll of the National Inspection Council for Electrical Installation Contracting (NICEIC).

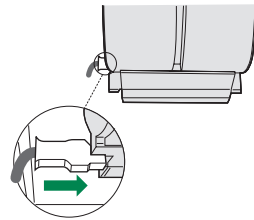
## Electrical connection

Before connecting to the mains supply ensure that the mains voltage corresponds to the voltage on the rating plate inside the cooker hood.

Remove the grease filters (see paragraph Maintenance) making sure that the connector of the feeding cable is correctly inserted in the socket placed on the side of the fan.

This appliance is fitted with a 3 core mains cable and must be permanently connected to the electricity supply via a double-pole switch having 3mm minimum contact gap on each pole. A Switched Fuse Connection Unit to BS1363 Part 4, fitted with a 3 Amp fuse, is a recommended mains supply connection accessory to ensure compliance with the Safety Requirements applicable to fixed wiring instructions.

This appliance conforms to BS 800: 1988 and EEC Directive No. 78 308 regarding suppression of radio and television interference.





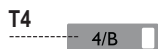
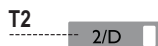
# Using the cooker hood

The cooker hood is designed to extract unpleasant odours from the kitchen, it will not extract steam. The appliance can be installed to recirculate or extract contaminated air.

## Cooker hood controls

The hood can be switched on pushing directly onto the requested speed without firstly having to select 0/I button.

KEY	LED	FUNCTIONS
<b>L</b> 0/I Light		Turns lighting on and off.
<b>TI</b> 0/I Motor on		First speed. When pressed for about 1 second the motor is switched off.
	Flashing	24h Changeover This is enabled by pressing and holding the button for approximately 5 seconds. It allows a suction level of 100 m <sup>3</sup> /h with a noise level of just 28dB(A). Can be enabled at any speed, even with the hood turned off. To disable, press and hold the button for approximately 5 seconds.
<b>T2</b> Speed on		Second speed.
	Flashing	Delay (30 minutes) Press the button for approximately 2 seconds to enable automatic shutdown with a 30 minutes delay. Suitable to complete elimination of any residual smells. Can be enabled at any speed and is disabled by pressing the button briefly.
<b>T3</b> Speed on		Third speed.
<b>T4</b> Speed	Fixed	Max. speed
	Flashing	Intensive speed. Suitable for the strongest cooking vapours and odours. The function becomes active when the button is pushed for about 2 seconds. After 10 minutes of functioning it turns off automatically. This function can be interrupted by means of pressing any of the buttons.
<b>S1</b> Led	Fixed	Indicates that the Metal grease filters saturation alarm has been triggered, and the filters need to be washed. The alarm is triggered after 100 working hours. (Reset; check the Maintenance-paragraph)
	Flashing	Indicates that the activated charcoal odour filter saturation alarm has been triggered, and the filter has to be replaced; the metal grease filters must also be washed. The activated charcoal odour filter is triggered after 200 working hours. (Activation and Reset; check the Maintenance-paragraph)



## To operate

Select the required fan speed and light if required.

## Recirculation

In the recirculation mode the contaminated air enters the cooker hood through the grease filters. The air is cleaned by passing through the charcoal filters before being passed back into the kitchen through the grilles in either side of the chimney stack.

## Extraction

In the extraction mode the contaminated air enters the cooker hood passing through the grease filters and is passed out through the ducting into the atmosphere.

To obtain the best performance when cooking it is advisable to switch the cooker hood on for a few minutes before you start cooking and leave it running for about 15 minutes after finishing.



**When used in the ducting mode the charcoal filters are not required.**


**Never do flambé cooking under this cooker hood.**

**Never leave frying pans unattended during use, as over-heated fats and oils can catch fire.**

**Do not leave naked flames under the cooker hood.**

**Ensure heating areas on your hob are covered with pots and pans when using the hob and cooker hood simultaneously.**


# Maintenance and cleaning

 **Before carrying out any maintenance or cleaning isolate the cooker hood from the mains supply.**

**The cooker hood must be kept clean, as a build up of grease or fat can be a fire hazard.**

## External cleaning

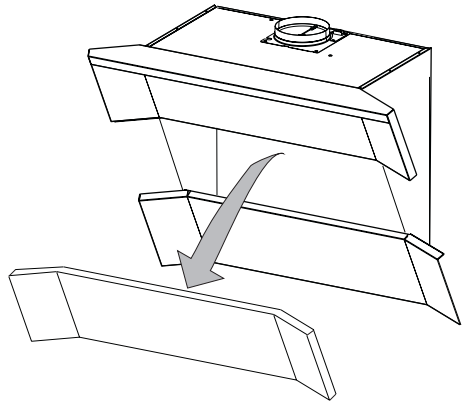
Wipe the cooker hood frequently with warm soapy water using a mild detergent.

 **Never use scouring pads or abrasive cleaners.**

**Never use excessive amounts of water when cleaning particularly around the control panel.**

## Cleaning the ducting panels

- Disconnect by pulling only the central ducting panels.
- Clean the outside using a damp cloth and neutral liquid detergent.
- Clean the inside using a damp cloth and neutral detergent; do not use wet cloths or sponges, or jets of water; do not use abrasive substances.

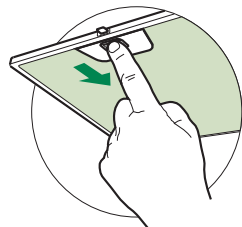


## Metal grease filters

The grease filters absorb grease and dust during cooking to help keep the cooker hood clean inside, and should be cleaned when the **led SI** light up or at least every 2 months of operation, or more frequently for particularly heavy usage.


## Cleaning the filters

- Disconnect by pulling only the central ducting panels.
- Remove the filters one at a time by pushing them towards the back of the group and pulling down at the same time.
- The metal grease filters should be washed, by hand, in mild soapy water or in a dishwasher. Allow to dry completely before replacing. Any kind of bending of the filters has to be avoided when washing them.
- When fitting the filters into the hood pay attention that they are mounted in the correct position and that the handle faces outwards.
- Close the ducting panels.



## Alarm signal reset

- Stop the motor and switch off the lights.
- Press button **T3** for at least 3 seconds, until the LEDs start to flash.

 **Before carrying out any maintenance or cleaning isolate the cooker hood from the mains supply.**

## Charcoal filters

In the recirculation mode the charcoal filters absorb smells and unwanted odours.

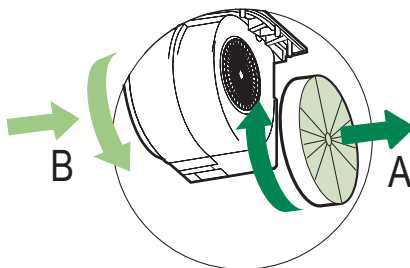
This charcoal filters cannot be washed or regenerated, and must be replaced when the **LED S1** starts to flash, or at least once every 4 months. The alarm is only triggered when the motor is on.

## Enabling/Disabling the alarm signal

- In Recirculation Version Hoods, the Filter saturation Alarm must be enabled at the time of installation or later.
- Switch off the lights and the motor.
- Disconnect the mains power supply to the hood by removing the motor unit power supply cable connector, switching off the power supply at the Mains or turning the Main switch off.
- Restore the connection, pressing and holding **T1**.
- Release the button. All five LEDs are turned on
- **Within 3 seconds** press **T1** until LEDs T1 and T4 flash in confirmation:
  - LED flashes twice - Activated charcoal filter saturation alarm **ENABLED**
  - LED flashes once - Activated charcoal filter saturation alarm **DISABLED**

## To Remove/Replace the charcoal filters

- Disconnect by pulling only the central ducting panels.
- First remove the metal grease filters.
- Remove the saturated charcoal filter as shown in the drawing (**A**)
- Position the new charcoal filter as shown in the drawing (**B**).
- Replace the metal grease filters.
- Close the ducting panels.





## Reset the alarm signal

- Stop the motor and switch off the lights.
- Press button **T3** for at least 3 seconds, until the LEDs start to flash.

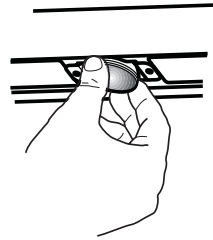


**This appliance can be a possible fire hazard if the grease and charcoal filters are not cleaned and replaced as recommended.**



## Changing the halogen spot lamp

- Remove the lamp from the holder by pulling the lamp downwards.
- Replace the lamp with a new one of the same type, making sure that you insert the two pins properly into the housing on the lamp holder.
- Replace the light cover, fixing it in place with the screws removed as above.



**Replacement filters and light bulbs can be obtained from your local Service Force Centre.**

# Something not working

If the appliance is not working correctly, please carry out the following checks, before contacting your local Service Force agent.

**IMPORTANT:** If you call out an engineer to a fault listed below, or to repair a fault caused by incorrect use or installation, a charge will be made even if the appliance is under guarantee.

Symptom	Solution
<b>The cooker hood will not start</b>	<ul style="list-style-type: none"><li>• Check the hood is connected to the electricity supply.</li><li>• Make sure the switch is in the 'ON' position.</li></ul>
<b>The cooker hood is not working effectively</b>	<ul style="list-style-type: none"><li>• Check that the fan speed is set high enough for the task.</li><li>• Ensure the grease filter is clean.</li><li>• Ensure the kitchen is adequately vented to allow the entry of fresh air.</li><li>• If set up for recirculation, check that the charcoal filter is still effective.</li><li>• If set up for extraction, check that the ducting and outlets are not blocked.</li></ul>
<b>The cooker hood has switched off during operation</b>	<ul style="list-style-type: none"><li>• The safety cut-out device has been tripped.</li><li>• Turn off the hob and then wait for the device to reset.</li></ul>

## Repairs and after sales service

In the event of your appliance requiring service, or if you wish to purchase spare parts, please contact our extended warranty administrators by telephoning:

**0870 01 07887**

They will give you details for your local Service Force Centre.

Before calling out an engineer, please ensure you have read the details under the heading "Something Not Working".

Your oven is covered by a 3 year parts and labour guarantee (see separate details given at point of sale). Please retain your purchase receipt safely for the service engineer to verify the purchase details.

When you contact the Service Force Centre you will need to give the following details:

1. Your name, address and post code
2. Your telephone number
3. Clear and concise details of fault
4. The model and serial number of the appliance (found on the rating plate - see picture)



5. The purchase date.  
Please note that a valid purchase receipt is required for in-guarantee service calls.



John Lewis Partnership  
171 Victoria Street  
London SW1E 5NN  
[www.johnlewis.com](http://www.johnlewis.com)

436004228\_04 - 080703



## Free Manuals Download Website

<http://myh66.com>

<http://usermanuals.us>

<http://www.somanuals.com>

<http://www.4manuals.cc>

<http://www.manual-lib.com>

<http://www.404manual.com>

<http://www.luxmanual.com>

<http://aubethermostatmanual.com>

Golf course search by state

<http://golfingnear.com>

Email search by domain

<http://emailbydomain.com>

Auto manuals search

<http://auto.somanuals.com>

TV manuals search

<http://tv.somanuals.com>