

TABULAR DATA SHEET

Outdoor Split System Air Conditioner 1.5 Thru 5 Tons

MODELS: GCGD18* THRU 60

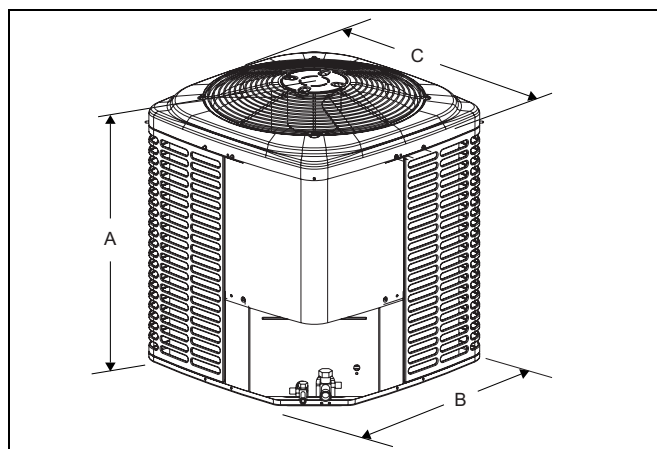
13 SEER – R-22 – 1 PHASE

Physical and Electrical Data

MODEL	GCGD18S 21S2X(E)	GCGD24S 21S2X(E)	GCGD30S 21S2(E)	GCGD36S 21S2(E)	GCGD42S 21S2(E)	GCGD48S 21S2(E)	GCGD60S 21S2(E)
Unit Supply Voltage	208-230V, 1 ϕ , 60Hz						
Normal Voltage Range ¹	187 to 252						
Minimum Circuit Ampacity	8.5	13.2	14.0	18.2	19.9	22.7	33.5
Max. Overcurrent Device Amps ²	15	20	20	30	30	35	50
Min. Overcurrent Device Amps ³	15	15	15	20	25	25	35
Compressor Type	Recip	Recip	Recip	Recip	Recip	Recip	Scroll
Compressor Amps	Rated Load	6.4	9.9	10.6	13.4	14.7	25.6
	Locked Rotor	36	54	61	78	78	150
Crankcase Heater	No	No	No	No	No	No	No
Factory External Discharge Muffler	No	No	Yes	Yes	Yes	Yes	No
Factory External Check Valve	No	No	No	No	No	No	No
HS Kit Required with TXV ⁴	Yes	Yes	Yes	Yes	Yes	Yes	No
Fan Motor Amps	Rated Load	0.5	0.8	0.80	1.4	1.5	1.5
Fan Diameter Inches		18	18	18	18	22	22
Fan Motor	Rated HP	1/12	1/8	1/8	1/4	1/4	1/4
	Nominal RPM	1100	1075	1075	1100	850	850
	Nominal CFM	1550	1850	1950	2400	3000	3300
Coil	Face Area Sq. Ft.	9.60	9.60	11.30	12.10	16.50	19.75
	Rows Deep	1	1	1	1	1	1
	Fin / Inches	23	23	23	23	23	23
Liquid Line Set OD (Field Installed)	3/8	3/8	3/8	3/8	3/8	3/8	3/8
Vapor Line Set OD (Field Installed)	5/8	3/4	3/4	3/4	7/8	7/8	1-1/8
Unit Charge (Lbs. - Oz.) ⁵	See Note 5 Below						
Charge Per Foot, Oz.	0.66	0.68	0.68	0.68	0.70	0.70	0.76
Operating Weight Lbs.	130	130	150	160	175	176	200

Models with "E" on the end of the model number have an ElectroFin® coating on the outdoor coil.

1. Rated in accordance with AHRI Standard 110-2012, utilization range "A".
2. Dual element fuses or HACR circuit breaker. Maximum allowable overcurrent protection.
3. Dual element fuses or HACR circuit breaker. Minimum recommended overcurrent protection.
4. See Hard Start Kit Accessory Installation Manual for Hard Start Kit part number for each model.
5. Units have been shipped without refrigerant. Remove nitrogen holding charge, evacuate, and charge to the system charge listed on the second page of the data sheet. System charges listed include 15 feet of lineset.



All dimensions are in inches. They are subject to change without notice. Certified dimensions will be provided upon request.

Unit Model	Dimensions (Inches)			Refrigerant Connection Service Valve Size	
	A ¹	B	C	Liquid	Vapor
18	28	23-1/2	23-1/2	3/8"	3/4"
24	28	23-1/2	23-1/2		
30	32	23-1/2	23-1/2		
36	34	23-1/2	23-1/2		7/8"
42	34	29	29		
48	34	29	29		
60	40	29	29	7/8" ²	

1. Overall height from bottom of base pan to top of fan guard.
2. Adapter fitting required for 1-1/8" line set.

System Charge for Various Matched Systems							
Outdoor Unit	GCGD18 S21S2X(E)	GCGD24 S21S2X(E)	GCGD30 S21S2(E)	GCGD36 S21S2(E)	GCGD42 S21S2X(E)	GCGD48 S21S2(E)	GCGD60 S21S2(E)
Required Orifice or TXV ^{1,2}	0.052/2A1	0.059/2A1	0.065/2A1	0.073/2A1	0.081/2C1	0.084/2C1	0.096/2C1
Units have been shipped without refrigerant. Remove nitrogen holding charge, select Indoor Unit, select orifice or TXV, evacuate, and charge to the system charge listed below for matching Indoor Unit. System charges listed include 15 feet of lineset.							
Indoor Unit ^{3,4}	System Charge, lbs - oz						
FC/MC/PC18	3 - 1	--	--	--	--	--	--
FC/MC/PC35	--	--	3 - 11	--	--	--	--
FC/MC/PC43	--	--	--	4 - 3	4 - 2	--	--
FC/MC/62	--	--	--	--	--	--	5 - 4-

Footnotes:

1. For applications requiring a TXV use S1-1TVM*** series kit.
2. Approved orifice(s) shipped with outdoor unit.
3. Systems matched with furnaces or air handlers not equipped with blower-off delays may require blower Time Delay Kit S1-2FD06700224.
4. PC coils cannot be used in downflow or horizontal applications. FC coils cannot be used in horizontal applications.

Procedures:

1. Units are shipped from the factory without refrigerant. Remove nitrogen holding charge.
2. Verify the TXV or orifice for the specific matched indoor unit in the system using the above table.
3. System charge weights shown are for the outdoor unit, matched indoor unit, and 15 feet of refrigerant tubing.
4. Add or subtract charge for the amount of interconnecting line tubing less than or greater than 15 feet at the rate specified in Physical and Electrical Data Table.
5. Weigh in the Total System Charge for the specific matched indoor unit and lineset length.
6. Permanently mark the unit nameplate with the Total System Charge. Total System Charge = Base Charge (as shipped) + charge adder for matched indoor unit + charge adder for lineset.

Important:

Models 18-48 require Hard Start Kits for TXV matches. Refer to the Hard Start Kit Accessory Installation Manual for the Hard Start Kit part number for each model.

Free Manuals Download Website

<http://myh66.com>

<http://usermanuals.us>

<http://www.somanuals.com>

<http://www.4manuals.cc>

<http://www.manual-lib.com>

<http://www.404manual.com>

<http://www.luxmanual.com>

<http://aubethermostatmanual.com>

Golf course search by state

<http://golfingnear.com>

Email search by domain

<http://emailbydomain.com>

Auto manuals search

<http://auto.somanuals.com>

TV manuals search

<http://tv.somanuals.com>