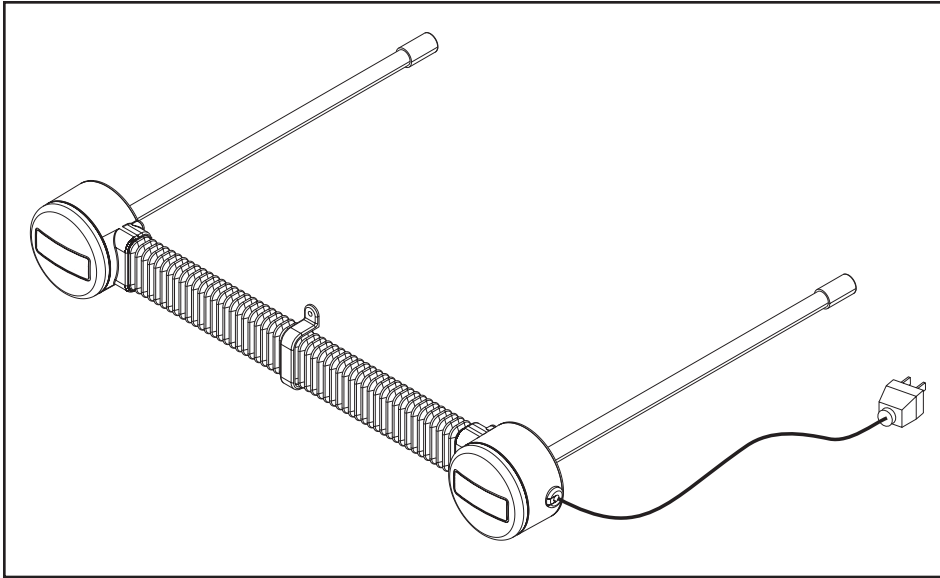
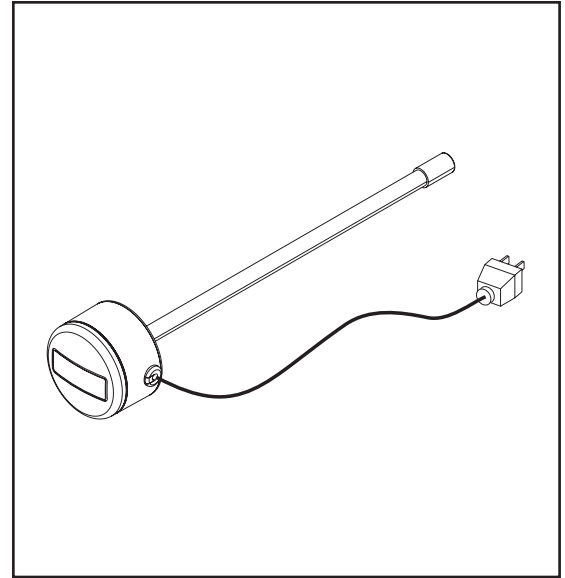


Model	S1-YUVCD120A	S1-LUVCD120A	S1-CUVCD120A
	S1-YUVCD220A	S1-LUVCD220A	S1-CUVCD220A
	S1-YUVCS120A	S1-LUVCS120A	S1-CUVCS120A
	S1-YUVCS220A	S1-LUVCS220A	S1-CVUVS220A

# UVC Germicidal Kit



**UVC Germicidal Dual Kit**



**UVC Germicidal Single Kit**

## Owner's Manual

JOHNSON CONTROLS, UNITARY PRODUCTS

### UVC Germicidal Kit

# Safety, Operating and Maintenance Instructions

Assembled in the USA

READ AND SAVE THIS MANUAL

## SAFETY CONSIDERATIONS

### READ AND SAVE THESE SAFETY INSTRUCTIONS BEFORE USING YOUR UVC GERMICIDAL KIT

Improper installation, adjustment, alteration, service, maintenance, or use can cause fire, electrical shock, or other conditions that may cause personal injury or property damage. Consult your installing contractor for information or assistance. In regards to the statements below, understand the signal words WARNING or CAUTION. These words are universally used for overall safety. WARNING signifies hazards which could result in personal injury or death. CAUTION is used to identify unsafe practices resulting in minor personal injury or product and property damage.

### WARNING

- Before performing maintenance or service on fixture, ensure unit is unplugged. Electrical shock can cause injury or death.
- This unit contains high energy UVC lamps which can cause temporary eye and skin irritation. Never expose unprotected eyes or skin to the UVC light.

### CAUTIONS

- Do not touch UVC Lamp without gloves. Damage to the lamp may result.
- Lamp must be off before entering HVAC unit to perform maintenance or service. Personal injury may result.
- Other voltages will void the warranty and do permanent damage to the entire unit. **Fixtures should be operated continuously to preclude the development of mold and bacteria.**
- Use only genuine Source 1 replacement high-output, low temperature lamps with this accessory. Use of kit with lower wattage or other than Source 1 lamps could result in damage to accessory or lamp, and will void your warranty.
- UV Lamp contains a small quantity of mercury. If a UVC lamp breaks, clean and dispose with care.

**Thank you** for your recent purchase of the UVC Germicidal Kit. We sincerely appreciate your business and are pleased to add your name to our growing list of customers. With this purchase, you have invested in the highest quality equipment available. Absolutely no other UVC germicidal product on the market today can provide cleaner, healthier indoor air.

The UVC Germicidal Kit takes cleaning the air to a level well beyond air cleaners alone. The UVC technology effectively kills or inactivates even the tiniest surface and airborne microorganisms that grow, disseminate and circulate in air handling systems that trigger allergies and asthma. It also prevents the spread of colds, flu and other viral and bacterial infections.

Please take a few moments and read this booklet. This will familiarize you with the benefits you will receive from the product you just purchased and help you understand the routine maintenance that will be required.

Your UVC Germicidal Kit provides safe, continuous cleaning while actually saving money by reducing HVAC system maintenance and energy consumption. It produces **no ozone** or secondary contaminants while providing the highest output and longest lamp life.

Congratulations on taking the step to a cleaner, healthier environment. Want to learn more about indoor air quality? Please call our Air Quality Specialist at 800-910-9675.

### IMPORTANT

- Scheduled replacement of UVC components is necessary to ensure the highest air quality. Use only genuine **Source 1** replacement lamps: S1-LAPS120A or S1-LAPS220A. See page 3 for additional maintenance details.

To obtain service parts or UVC replacement kits, you can proceed with the following options:

- The installer of your UVC Germicidal Kit. This information is often found on your equipment.
- Call us at 800-910-9675.

Want to learn more about indoor air quality? Please call our Air Quality Specialist at 800-910-9675.

## PRODUCT INFORMATION

### How Important is Indoor Air Quality?

Did you know that the EPA has identified indoor air quality as one of the top environmental concerns? With people spending 90% of their time indoors, air quality is certainly something to be concerned about.

Asthma and allergies are on the rise. Asthma afflicts over 26 million North Americans with the number of emergency room visits and hospitalizations escalating annually. Asthma is the #1 cause of school absenteeism.

Even the cleanest indoor spaces are home to millions of allergy-producing pollen, volatile organic compounds (VOCs) and airborne microorganisms such as bacteria, viruses and mold. These pollutants and contaminants can trigger health issues ranging from the common cold to severe allergies and asthma.

Mold, mold by-products and their odors are the leading cause of allergic symptoms such as sneezing, watery, itchy eye, coughing, headaches and sinus congestion. Your heating and air conditioning system provides the perfect damp, dark breeding ground for mold to grow and thrive. The mold attracts dust and dirt that continue to build up on the heating and cooling coils, drain pan and ducts. Every time the system runs, it disperses these harmful pollutants into the air that building occupants breathe.

### What can I do?

By installing the UVC Germicidal Kit, you can benefit from a clean, healthy indoor environment. Designed to fit new and existing systems, the UVC Germicidal Kit was developed to destroy airborne microorganisms for clean, germ-free air.

### How Does It Work?

UVC is the most effective germicidal wavelength in the ultraviolet light spectrum that will destroy the bonds of the DNA and RNA of microorganisms, killing or inactivating the microbes, surface and airborne mold as well as viruses and bacteria. UVC greatly reduces allergy and asthma symptoms and prevents the spread of everyday colds, flus and other seasonal illnesses.

Installed inside your system near the coil, the UVC lamp bathes the cooling coil, drain pan and the air with UVC energy. Its high energy wavelength destroys the mold, bacteria and viruses that grow there or circulate in the air before they travel around your home or building and trigger allergic reactions or spread disease.

### The UVC Germicidal Kit is effective against:

- Mold and mold spores
- Bacteria, including TB, *Legionella*, *E. coli*, *Listeria*, *Pseudomonas*, *Serratia* and whooping cough
- Viruses, including colds, flu, measles, mumps and SARS
- Musty odors produced by mold and its by-products
- Fouled coils that reduce system performance

The multi-patented UVC lamp offers the highest output and the lowest life-cycle cost of any UVC product. It is reliable and safe with **no ozone** or secondary contaminants.

### Operation

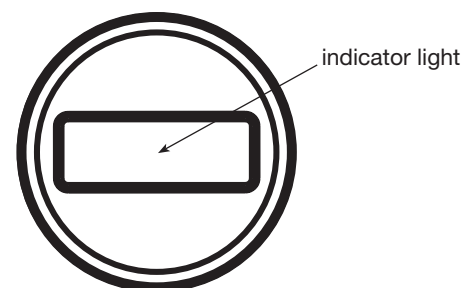
**The UVC lamp operates all the time.** In order to maximize germicidal effectiveness, it is recommended that the fan selector switch on your home thermostat be in an "on" position at all times.

In order to continuously clean the air, the air must be circulated past the germicidal lamp. Running the lamp and fan continuously ensures the cleanest air and the best protection from irritants and pollutants.

### Maintenance

The UVC Germicidal Kit must be changed at 9,000 hours (approximately 12 months) of operation or sooner to maintain design output and to ensure germicidal effectiveness.

The indicator light on the front panel of the power supply housing will change from blue to yellow to remind you to contact your HVAC contractor. When the indicator light turns red, the lamp must be changed to maintain the highest level of air quality.



*Blue light:* up to 7,000 hours  
*Yellow light:* 7,000 to 9,000 hours – time to call for service  
*Red light:* replace Kit

The US Environmental Protection Agency classifies UVC lamps along with fluorescent bulbs. Go to <http://www.epa.gov/bulbrecycling/> to learn about recycling programs in your area.

# LIMITED WARRANTY

Johnson Controls, Unitary Products warrants this product to be free from defects in factory workmanship and material under normal use and service and will, at its option, repair or replace any parts that prove to have such defects according to the terms outlined on this warranty. This warranty covers only the equipment described by the Product Model Number and Serial Number listed on the Warranty Registration card.

For your benefit and protection, return the Warranty Registration Card to JCI, UP promptly after installation. This will initiate the warranty period and allow us to contact you, should it become necessary. In absence of a recorded Warranty Registration Card, the warranty period will begin on product shipment from JCI, UP.

This warranty extends only to the original consumer purchaser and is non-transferable. For this warranty to apply, the product must be installed according to JCI, UP specifications, and in accordance with all local, state, and national codes; and the product must not be removed from its place of original installation. The warranty period for repair or replacement parts provided hereunder shall not exceed beyond the warranty period stated below.

UVC Germicidal Kit		
S1-YUVCD120A	S1-LUVCD120A	S1-CUVCD120A
S1-YUVCD220A	S1-LUVCD220A	S1-CUVCD220A
S1-YUVCS120A	S1-LUVCS120A	S1-CUVCS120A
S1-YUVCS220A	S1-LUVCS220A	S1-CVUVS220A
Housing 5 yrs		
UVC Germicidal Lamp Assembly (including power supply) 1 yr		

JCI, UP strongly recommends annual replacement of the UVC lamp assembly. The person most familiar with the equipment in your HVAC system is a JCI, UP dealer. The dealer can ensure your maintenance program meets the conditions of the "JCI, UP Warranty," maximize the efficiency of the equipment, and service your unit within the mandated guidelines. This warranty applies only to products installed in the United States and Canada.

## EXCLUSIONS

This warranty does not cover any:

1. Shipping, labor, or material charges.
2. Damages resulting from transportation, installation, or servicing.
3. Damages resulting from accident, abuse, fire, flood, alteration, or acts of God (tampering, altering, defacing, or removing the product serial number will serve to void this warranty).
4. Damages resulting from use of the product in a corrosive atmosphere.
5. Damages resulting from inadequacy or interruption of electrical service or fuel supply, improper voltage conditions, blown fuses, or other like damages.
6. Damages resulting from use of components or accessories not approved by JCI, UP.
7. Failure to start due to voltage conditions, blown fuses, open circuit breakers, or damages due to the inadequacy or interruption of electrical service.
8. Increase in fuel or electric cost.

THIS WARRANTY IS IN LIEU OF ALL OTHER WARRANTIES, EXPRESSED OR IMPLIED, INCLUDING THE IMPLIED WARRANTIES OF MERCHANTABILITY AND FITNESS FOR A PARTICULAR PURPOSE.

SOME STATES DO NOT ALLOW THE DISCLAIMER OF IMPLIED WARRANTY, SO THAT THE ABOVE DISCLAIMER MAY NOT APPLY TO YOU.

SOME STATES ALLOW ONLY A PARTIAL LIMITATION ON IMPLIED WARRANTIES TO LIMIT THE DURATION OF IMPLIED WARRANTIES TO THE DURATION OF THE EXPRESS WARRANTY. IN SUCH STATES, THE DURATION OF IMPLIED WARRANTIES IS HEREBY EXPRESSLY LIMITED TO THE DURATION OF THE EXPRESS WARRANTY ON THE FACE HEREOF.

IN NO EVENT, WHETHER AS A RESULT OF BREACH OF WARRANTY OR CONTRACT TORT (INCLUDING NEGLIGENCE) STRICT LIABILITY OR OTHERWISE, SHALL JCI, UP BE LIABLE FOR SPECIAL, INCIDENTAL, OR CONSEQUENTIAL DAMAGES, INCLUDING BUT NOT LIMITED TO LOSS OF USE OF THE EQUIPMENT OR ASSOCIATED EQUIPMENT, LOST REVENUES OR PROFITS, COST OF SUBSTITUTE EQUIPMENT OR COST OF FUEL OR ELECTRICITY. THE ABOVE LIMITATIONS SHALL INURE TO THE BENEFIT OF JCI, UP SUPPLIERS AND SUBCONTRACTORS. THE ABOVE LIMITATION ON CONSEQUENTIAL DAMAGES SHALL NOT APPLY TO INJURIES TO PERSON'S IN THE CASE OF CONSUMER GOODS.

SOME STATES DO NOT ALLOW THE EXCLUSION OR LIMITATION OF LIABILITY FOR CONSEQUENTIAL OR INCIDENTAL DAMAGES, OR FOR STRICT LIABILITY IN TORT, SO THAT THE ABOVE EXCLUSIONS AND LIMITATIONS MAY NOT APPLY TO YOU.

JCI, UP DOES NOT ASSUME, OR AUTHORIZE ANY OTHER PERSON TO ASSUME FOR JCI, UP, ANY OTHER LIABILITY FOR THE SALE OF THE PRODUCT.

THIS WARRANTY GIVES YOU SPECIFIC LEGAL RIGHTS. YOU MAY ALSO HAVE OTHER RIGHTS WHICH VARY FROM STATE TO STATE.

For Owner's Information:

PRODUCT MODEL NO. \_\_\_\_\_ INSTALLATION DATE \_\_\_\_\_

UNIT SERIAL NO. \_\_\_\_\_ INSTALLING DEALER \_\_\_\_\_

Subject to change without notice. Printed in U.S.A.  
Copyright © by JCI 2008. All rights reserved.

Johnson Controls, Unitary Products  
5005 York Drive, Norman, OK 73069

427061-UUM-A-0708

## Free Manuals Download Website

<http://myh66.com>

<http://usermanuals.us>

<http://www.somanuals.com>

<http://www.4manuals.cc>

<http://www.manual-lib.com>

<http://www.404manual.com>

<http://www.luxmanual.com>

<http://aubethermostatmanual.com>

Golf course search by state

<http://golfingnear.com>

Email search by domain

<http://emailbydomain.com>

Auto manuals search

<http://auto.somanuals.com>

TV manuals search

<http://tv.somanuals.com>