

# ACCESSORY KIT INSTALLATION MANUAL

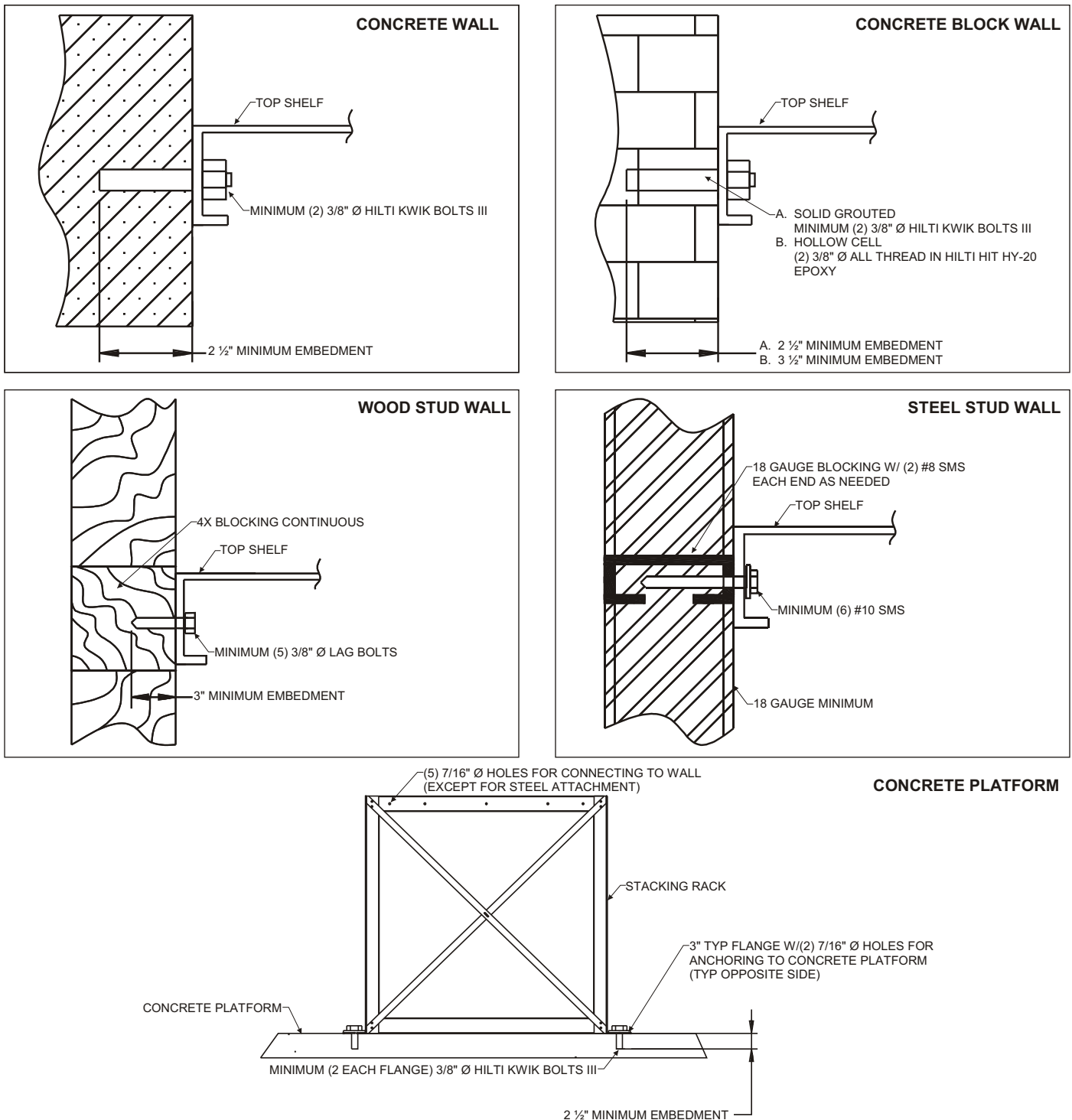
## S1-HDSTACK01 - STACKING RACK

### FOR USE WITH MODELS TCHD / YCHD

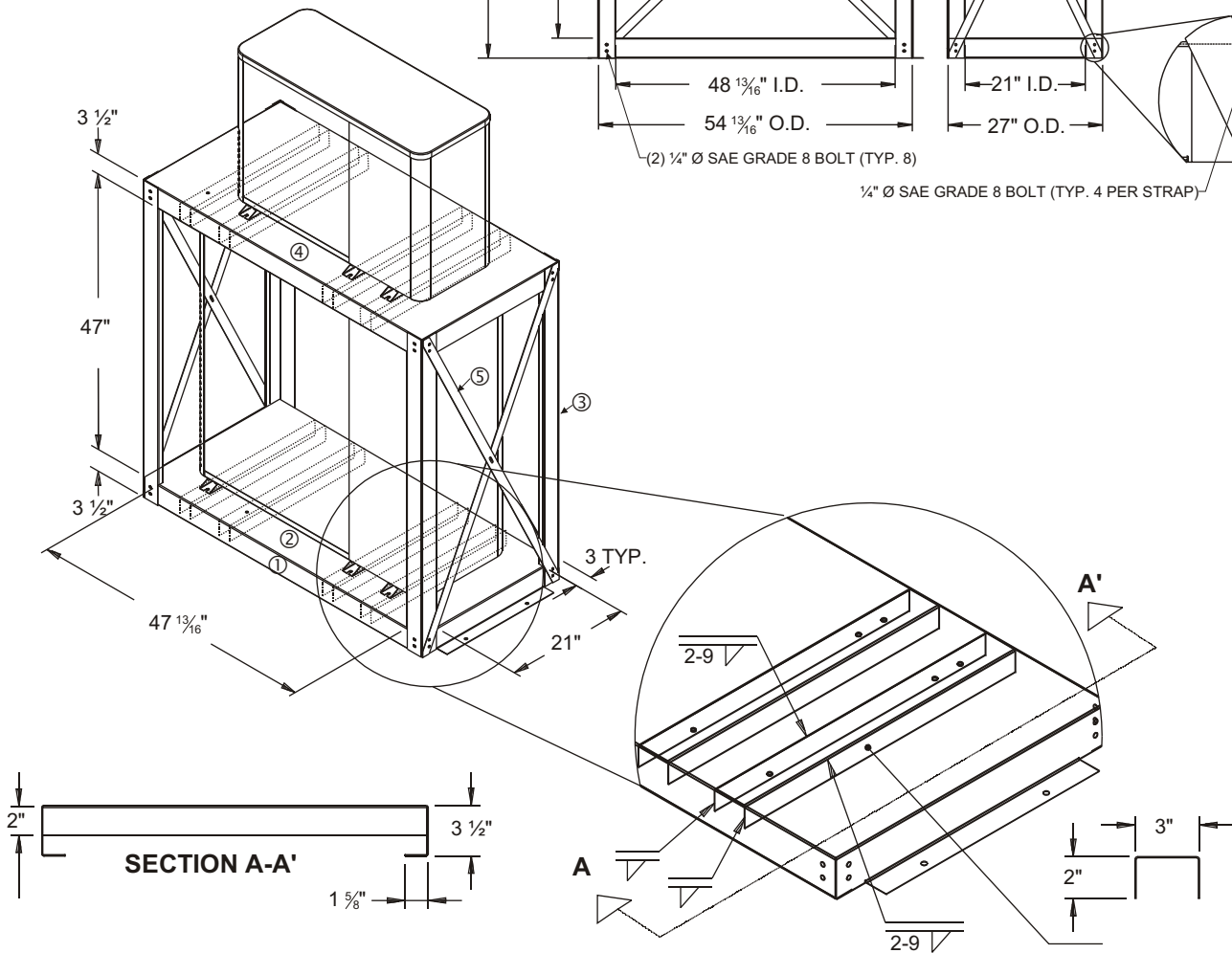
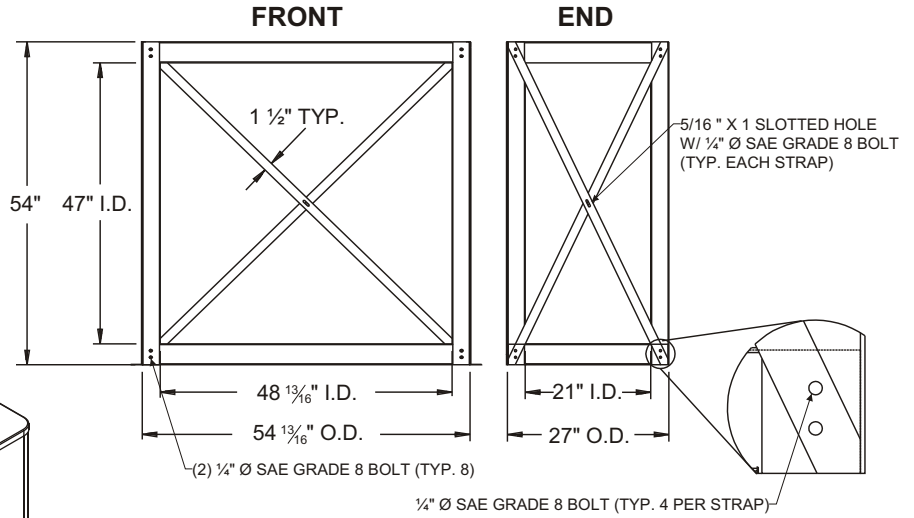
#### INSTALLATION

1. This kit is designed to stack two horizontal discharge units. It will handle both sizes of horizontal discharge unit foot print.
2. The stacking kit must be assembled and anchored securely before any horizontal discharge units are placed on the stacking frame.
3. Horizontal discharge units should be mounted so that the front of the units are closest to the front edge of the stacking frame. This will allow proper air circulation around the back of the unit.
4. See hardware details for proper location of bolts, nuts, and washers.

**NOTE - ALL ANCHORING HARDWARE IS FIELD SUPPLIED**



ITEM	DESCRIPTION	QTY
1	Channel Assembly	2
2	Bottom Shelf	2
3	Corner Post	4
4	Top Shelf	1
5	Side Brace	4
6	Back Brace	2
Not Shown	3/8" X 1" Hex Head Bolt	64
Not Shown	3/8" Flat Washer	79
Not Shown	3/8" Lock Nut	2
Not Shown	Spacer Wall	2



Subject to change without notice. Printed in U.S.A.  
 Copyright © 2012 by Johnson Controls, Inc. All rights reserved.

433082-UAI-A-0112/YKISTRK01  
 Supersedes: Nothing

**Johnson Controls Unitary Products**  
 5005 York Drive  
 Norman OK 73069

## Free Manuals Download Website

<http://myh66.com>

<http://usermanuals.us>

<http://www.somanuals.com>

<http://www.4manuals.cc>

<http://www.manual-lib.com>

<http://www.404manual.com>

<http://www.luxmanual.com>

<http://aubethermostatmanual.com>

Golf course search by state

<http://golfingnear.com>

Email search by domain

<http://emailbydomain.com>

Auto manuals search

<http://auto.somanuals.com>

TV manuals search

<http://tv.somanuals.com>