

Series A19A/A19B/A19D

Thermostats for Refrigeration, Cooling, Heating, Ventilation and Air-conditioning

Introduction

These thermostats are designed for refrigeration, cooling, heating, ventilation and air-conditioning applications. Standard models are provided for remote sensing or room sensing. Models with manual reset are available for low or high limit functions.

Description

These thermostats are available with fixed or adjustable differential. The various control ranges cover a broad range of temperature applications with a minimum number of models. On request a built-in high or low limit stop is possible and can be adjusted quickly and easily in the field. All models have a universal way of adjustment. For this purpose a knob and sealing cap are enclosed.

All A19 style 1 wholesaler code models have a bulb clamp plus screw also enclosed.



A19A capillary thermostat
A19B space thermostat

Feature and Benefits

<input type="checkbox"/> Liquid filled sensing element	No cross ambient temperature problems Contact differential over the whole range
<input type="checkbox"/> Dust tight Penn switch	Prevents pollution of the contacts by electrostatic influences.
<input type="checkbox"/> Trip free manual reset	Override is not possible in the control function
<input type="checkbox"/> Front adjustment	Less mounting space required.

Note

These controls are designed for use only as operating controls. Where an operating control failure would result in personal injury or loss of property it is the responsibility of the installer to add devices or systems that protect against, or warn of, control failure.

SPDT contacts are standard on all models. Instruments have compact sizes. Types A19ACC and A19ADC have a trip-free manual reset. Reset button must be pressed and released. Contact cannot be blocked in closed position. All types have VDE and SEV approval.

To facilitate ordering, wholesaler codes have been added on some universal models. All models are provided with a separate knob and sealing cap.

Type number matrix

A19AAC	capillary thermostat, fixed differential.
A19AAF	capillary thermostat, special close fixed differential.
A19ABC	capillary or immersion thermostat, adjustable differential.
A19ACC	capillary thermostat, lock-out low with manual reset.
A19ADC	immersion thermostat, lock-out high with manual reset.
A19BAC	space thermostat, fixed differential.
A19BBC	space thermostat, adjustable differential.
A19DAC	strap-on thermostat.
A19DAF	strap-on thermostat

Adjustment

- Models "set low" (refer to cover label)
The dial indicates the low switch point (1 - 2 open, 1 - 3 closed).
The high switch point (1 - 2 closed, 1 - 3 open) is obtained by adding the differential to the low switch point.
- Models "set high" (refer to cover label)
The dial indicates the high switch point (1 - 2 closed, 1 - 3 open). The low switch point (1 - 2 open, 1 - 3 closed) is obtained by deducting the differential from the high switch point.

Exception: Type A19ADC, dial indicates high switch point (1 - 3 closed, 1 - 2 open).

Note

The standard screwdriver adjustment can be converted easily in the field to knob adjustment. Also concealing of adjustment and scale is possible after installation.

Contact functions

Types A19AAC, A19AAF, A19ABC, A19BAC, A19BBC, A19DAC

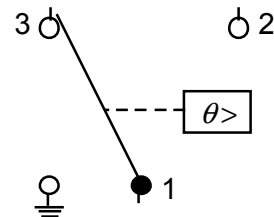


Fig. 1

1-2 closes on temperature increase

Type A19ACC

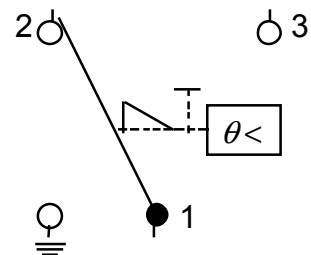


Fig. 2

1-2 opens on temperature decrease

Type A19ADC

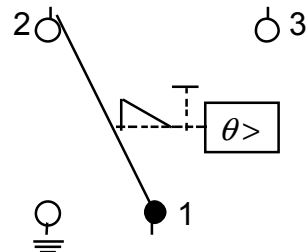


Fig.3

1-2 opens on temperature increase

Repair and replacement

Repair is not possible. In case of an improperly functioning control, please check with your nearest supplier. When contacting the supplier for a replacement you should state the type/model number of the control. This number can be found on the data plate or cover label.

Sensor styles

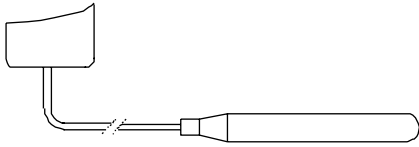


Fig. 4
Style 1a (drawn bulb)

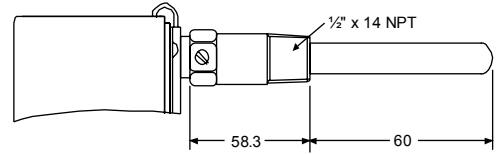


Fig. 7
Style 2

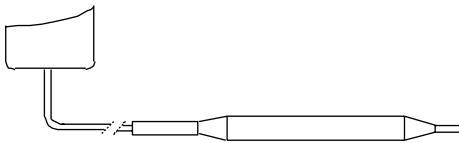


Fig. 5
Style 1b swaged bulb, can be used with closed-tank connector FTG13A-600

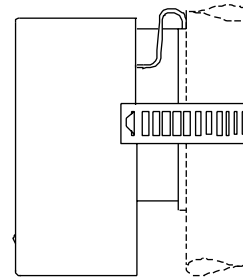


Fig. 8
Style 20

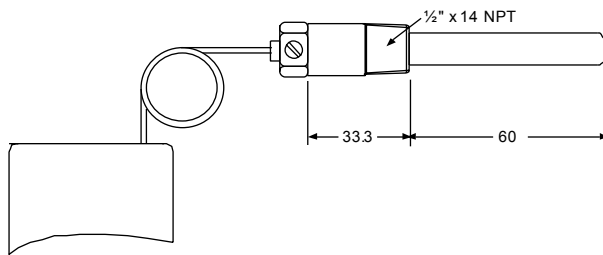


Fig. 6
Style 4h

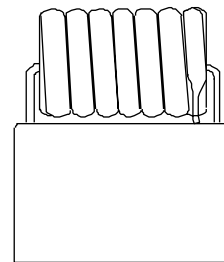


Fig. 9
Style 3 (coil)

Bulb size and finish, bulb wells

Range (°C)	Style	Bulb size (mm)	Finish	Bulb well (optional)
-35 to +10	1b	9.5 x 110	Tin-plated	WEL14A602R
-35 to +10	3	-	Stainless Steel	-
-5 to +28	1b	9.5 x 135	Tin-plated	WEL14A603R
-5 to +28	3	-	Stainless Steel	-
-35 to +40	1b	9.5 x 110	Tin-plated	WEL14A602R
-35 to +40	3	-	Stainless Steel	-
0 to 13	1a	9.3 x 80	-	WEL16A601R
0 to 43	3	-	Stainless Steel	-
1 to 60	1b	9.5 x 115	-	WEL14A602R
5 to 32	1b	9.5 x 155	Tin-plated	No bulb well available
10 to 95	1a	7.4 x 75	-	WEL11A601R
40 to 120	1b	9.5 x 100	-	WEL14A602R
35 to 150	1a	5 x 265	-	No bulb well or closed tank connector possible
90 to 290	1a	5 x 155	-	No bulb well or closed tank connector possible

Type number selection table:

Range (°C)	Diff. (K)	Bulb style	Setting (see page 2 adjustment)	Cap. length	Max. bulb temp.	Wholesaler code	Order number
------------	-----------	------------	---------------------------------	-------------	-----------------	-----------------	--------------

Type A19AAC Capillary thermostat, fixed differential

-35 to +10	2.5	1b	set low	2 m	60 °C		A19AAC-9102
-5 to +28	2	1b	set low	2 m	60 °C		A19AAC-9005
-5 to +28	2	1b	set low	5 m	60 °C		A19AAC-9124
1 to 60	2	1b	set low	3 m	85 °C		A19AAC-9127
40 to 120	3.5	1b	set high	2 m	145 °C		A19AAC-9009
35 to 150	4	1a	set high	2 m	180 °C		A19AAC-9107
90 to 290	5.5	1a	set high	2 m	290 °C		A19AAC-9108

Type A19ABC Capillary or immersion thermostat, adjustable differential

-35 to +40	2.8 to 8	1b	set low	3.5 m	60 °C	A19-A4	A19ABC-9037
-35 to +40	2.8 to 8	1b	set low	6.5 m	60 °C	A19-A5	A19ABC-9036
-35 to +10	2.8 to 11	1b	set low	2 m	60 °C	A19-A1	A19ABC-9103
-5 to +28	2 to 8	1b	set low	2 m	60 °C	A19-A2	A19ABC-9104
1 to 60	2 to 8	1b	set low	5 m	85 °C		A19ABC-9117
1 to 60	2 to 8	1b	set low	3 m	85 °C	A19-A3	A19ABC-9116
10 to 95	3.5 to 13	1a	set high	3.5 m	115 °C		A19ABC-9106
40 to 120	3.5 to 13	2	set high	-	145 °C		A19ABC-9011 bulb well incl.
40 to 120	3.5 to 13	4h	set high	2 m	145 °C		A19ABC-9012 bulb well incl.

Type A19ACC Capillary thermostat, lock-out low with manual reset

-35 to +10	6 ↘	1b	set low	2 m	60 °C		A19ACC-9100
-35 to +10 ✖	6 ↘	1b	set low	3.5 m	60 °C		A19ACC-9105
-35 to +10 ✖	6 ↘	1b	set low	5 m	60 °C		A19ACC-9111
-35 to +10 ✖	6 ↘	1b	set low	6.5 m	60 °C	A19-F	A19ACC-9116
-5 to +28	4 ↘	1b	set low	2 m	60 °C		A19ACC-9101
-5 to +28	4 ↘	1b	set low	5 m	60 °C		A19ACC-9103
-5 to +28	4 ↘	1b	set low	3 m	60 °C		A19ACC-9107

Type A19ADC immersion thermostat, lock-out high with manual reset

40 to 120	7 ↗	2	set high	-	145 °C		A19ADC-9200 bulb well incl.
-----------	-----	---	----------	---	--------	--	---------------------------------------

Type A19AAF Capillary thermostat, close, fixed differential

0 to 10	1.5	1a	set low	2 m	80 °C		A19AAF-9101
0 to 10	1.5	1a	set low	2 m	80 °C	A19-M †	A19AAF-9102
5 to 32	0.75	1b	set high	2 m	60 °C		A19AAF-9103

↘ Indicates temperature increase above cut-out point to make reset possible.

✖ Low limit stop factory set +2.5 °C may be removed in the field.

↗ Indicates temperature decrease below cut-out point to make reset possible.

† Milk-cooler thermostat.

*T*ype number selection table:

Range (°C)	Diff. (K)	Bulb style	Setting (see page 2 adjustment)	Cap. length	Max. bulb temp.	Wholesaler code	Order number
----------------	--------------	---------------	---------------------------------------	----------------	-----------------------	--------------------	-----------------

Type A19BAC Space thermostat, fixed differential

-35 to +10	2.5	3	set low	-	60 °C	A19-B1	A19BAC-9250
-5 to +28	2	3	set low	-	60 °C	A19-B2	A19BAC-9251
0 to 43	2	3	set high	-	60 °C	A19-B3	A19BAC-9001

Type A19BBC Space thermostat, adjustable differential

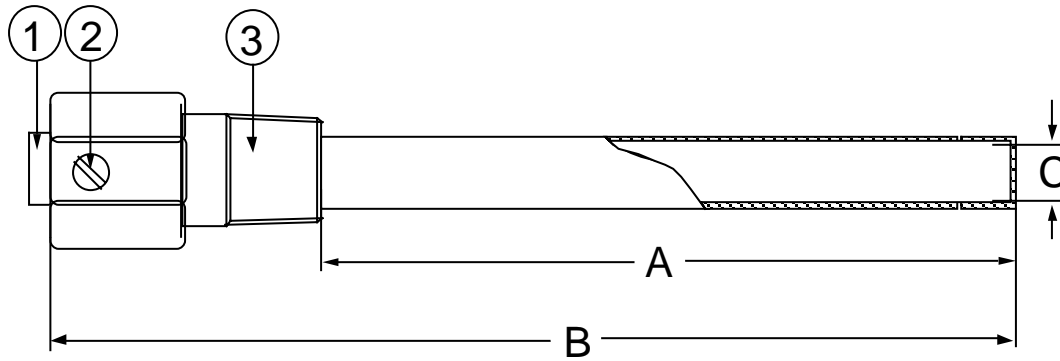
-35 to +40	2.8/8	3	set low	-	60 °C	A19-B4	A19BBC-9275
------------	--------------	---	---------	---	-------	--------	--------------------

Type A19DAC, Strap-on thermostat, fixed differential

40 to 120	4.5	20	set high	-	145°C		A19DAC-9001
92 to 116	2	20	set high	-	145°C		A19DAF-9001

Note: If what you need is not in the type number selection table, then please contact your representative.

Accessories (optional)



Order no.	Dimension A	Dimension B	Dimension C Internal
WEL11A601R	60 mm	118 mm	7.3 mm
WEL14A602R	125 mm	171 mm	9.8 mm
WEL14A603R	147 mm	193 mm	9.8 mm
WEL16A601R	71 mm	117 mm	9.5 mm

1. Bushing
2. Set screw
3. Adapter, 1/2"-14 NPT

Fig. 10
Bulb well (brass, copper pipe)

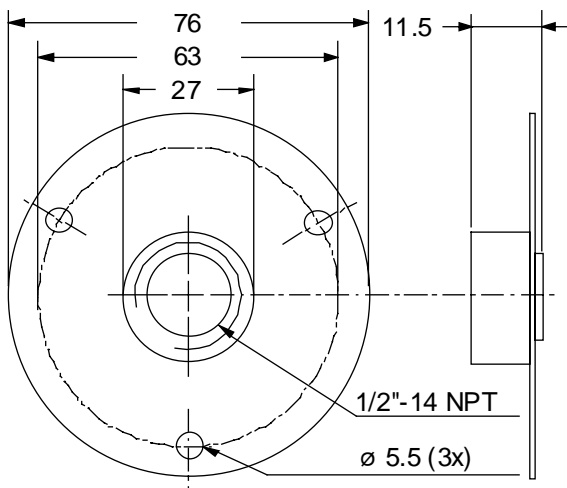
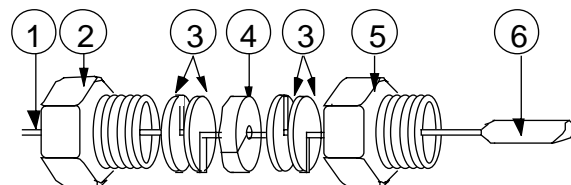


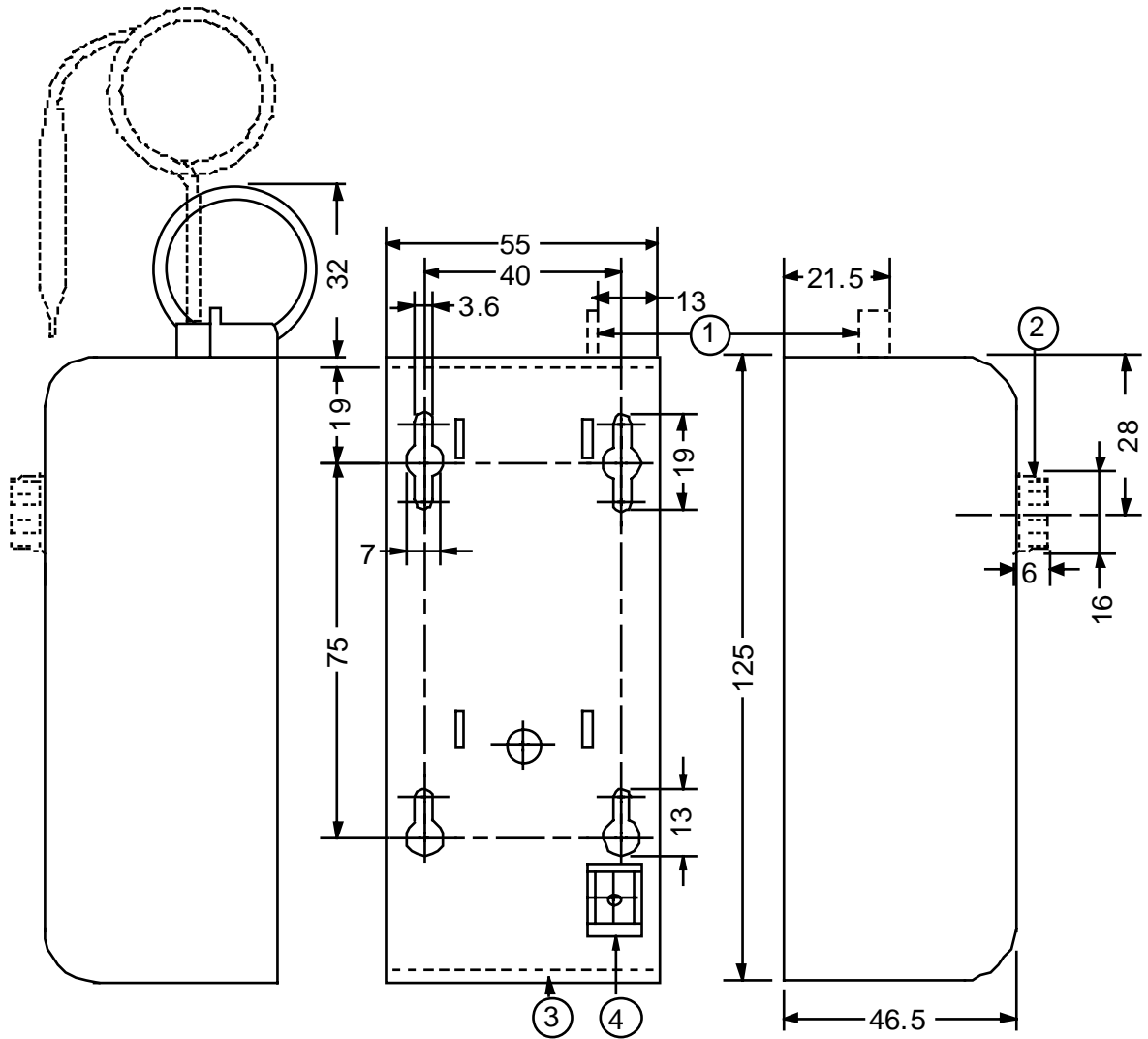
Fig. 11
Duct flange to be used with closed-tank
connector FTG13A-600R.
Order number T-752-1001



1. Style 1b bulb support tube
2. Packing nut
3. Washer
4. Packing
5. Adapter, 1/2"-14 NPT
6. Bulb

Fig. 12
Closed-tank connector
Order number FTG13A-600R

Dimensions (mm)



- 1 Reset lever
- 2 Knob packed separately with the control
- 3 22.3 mm dia. cable inlet hole for PG-16
- 4 Earth screw

Fig. 13

Specifications

CE Conformity	According to low voltage directive and EMC directive	
Operating range	-35 to +290 °C. See type number selection table.	
Differential	See type number selection table.	
Differential adjustments	Controls with adjustable differential (types A19ABC and A19BBC) have an adjustment lever under the cover.	
Sensor styles	Styles 1a, 1b, 2, 3, 4h, and 20 (see drawings page 3)	
Electrical ratings	~15(8) A, 230 V; except A19AAF and A19DAF: ~15(3) A 230 V, and A19ABC-9036/9037: ~15(5) A 230 V	
Ambient temp. limits	-35 to +55 °C	
Conduit opening	22.3 mm diam. hole for PG-16 connector	
Material	Case	1.75 mm cold-rolled zinc plated steel
	Cover	1.5 mm ABS plastic
Protection Class	IP30	
Shipping weight	Individual pack	0.4 kg
	Overpack	10 kg (24 pcs)
Dimensions	(see dimension drawing)	

The performance specifications are nominal and conform to acceptable industry standards. For applications at conditions beyond these specifications, consult the local Johnson Controls office or representative. Johnson Controls shall not be liable for damages resulting from misapplication or misuse of its products.



Johnson Controls International, Inc.

Headquarters: Milwaukee, WI, USA
 European Headquarters: Westendhof 8, 45143 Essen, Germany
 European Factories: Lomagna (Italy), Leeuwarden (The Netherlands) and Essen (Germany)
 Branch Offices: Principal European Cities.

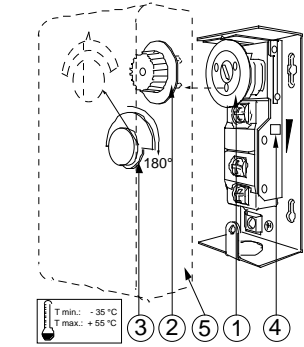
This document is subject to change

Printed in Europe

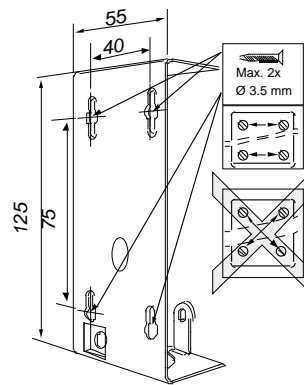
Instruction sheet

A19

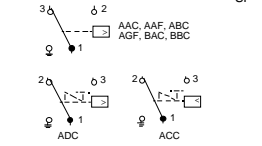
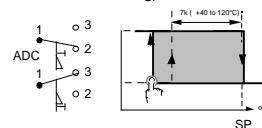
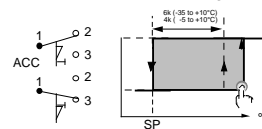
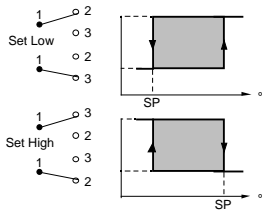
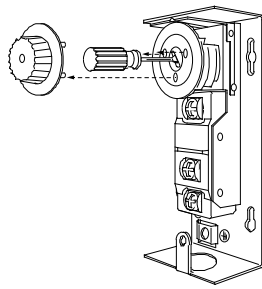
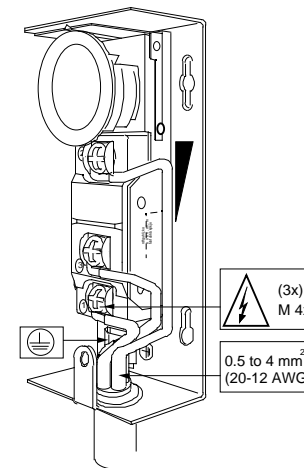
Specification Especificação Beschreibung Τεχνικά data	Description Especificación Specificationer Specificasjoner	Σpecification Σpecifiche Εrittely Προδιαγραφές
--	---	---



Mounting Montage Montaggio Montering Μοντάζια	Montage Montaje Montaggio Montering Μοντάζια	Montage Montaggio Κιinnitys Μοντάζια
---	--	---



Wiring Bedrading Cablage Elektrisk Zapojeni	Raccordement Cableado Ledningar Kabling	Verdrahtung Cablaggio Jodotus Καλωδίωση
---	--	--



READ THIS INSTRUCTION SHEET CAREFULLY BEFORE INSTALLING. RETAIN IT SAFELY FOR FUTURE REFERENCE.

- 1 Setpoint dial
- 2 Knob for adjustment (separate packed)
- 3 Cap for concealed adjustment (separate packed)
- 4 Differential lever (adjustable differential models only)
- 5 Cover (not on models A19AGC, A19AGF and BGC models)

The A19 is a temperature control designed to sense temperatures. According to EN 60730 it is a type 1 action, independently mounted control, suitable for surface mounting on a plane surface and for use in normal pollution situation. The A19AGC, A19AGF and A19BGC models are incorporate controls.

These controls are designed for use only as operating controls. Where an operating control failure would result in personal injury or loss of property, it is the responsibility of the installer to add devices or systems that protect against, or warn of, control failure.

Installation DO NOT TURN SEALED SCREWS

- △ Disconnect from power supply before the cover is removed.
- △ For A19AGC, A19AGF and A19BGC Disconnect power supply before adjusting the control.

Wiring
All wiring should conform to local codes and must be carried out by authorized personnel only. When using multi stranded wire apply a cable ferrule to the cable end.

Check out procedure
Before leaving the installation observe at least three complete operating cycles to be sure that all components are functioning correctly. If not contact your supplier.

FRANÇAIS

LISEZ ATTENTIVEMENT CES INSTRUCTIONS AVANT DE COMMENCER L'INSTALLATION ET CONSERVEZ-LES POUR VOUS Y REFERER ULTERIEUREMENT

1. Cadran de consigne
2. Bouton de réglage (emballage séparément)
3. Bouchon pour réglage caché (emballage séparément)
4. Levier de différentiel (uniquement pour modèles avec différentiel réglable)
5. Couvercle (pas sur les modèles A19AGC, A19AGF ni BGC)

Le modèle A19 est un régulateur de température destiné à détecter les températures

D'après la norme EN 60730 c'est un régulateur indépendant, action type 1, conçu pour un montage sur surface plane et utilisé dans des environnements normalement pollués. Les modèles A19AGC, A19AGF et A19BGC sont des commandes incorporées.

Cet appareil est destiné à assurer des fonctions de régulation. Lorsque la panne ou le mauvais fonctionnement de ce dernier risque d'entraîner des dommages matériels ou corporels, il est de la responsabilité de l'installateur de prévoir des organes de sécurité indépendants afin de ne pas utiliser le régulateur en équipement de sécurité.

Installation NE PAS TOURNER LES VIS SCÉLÉES

- △ Couper l'alimentation électrique avant d'enlever le couvercle.
- △ Pour A19AGC, A19AGF et A19BGC, coupez l'alimentation avant de régler les commandes.

Câblage
Tous les raccordements doivent être conformes aux normes en vigueur et ne peuvent être réalisés que par du personnel autorisé. En cas d'utilisation de câble souple multi-brins, utiliser un embout à sertir.

Procédure de contrôle
Après avoir terminé l'installation, observez au moins trois cycles complets de fonctionnement pour s'assurer que tous les composants fonctionnent correctement. Si cela n'est pas le cas, contactez votre fournisseur.

DEUTSCH

BITTE LESEN SIE DIESE ANWEISUNGEN VOR DER INSTALLATION SORGFÄLTIG DURCH UND BEWAHREN SIE SIE ZUR WEITEREN VERWENDUNG AUF.

- 1 Sollwertskalen Scheibe
- 2 Einstellknopf (separat verpackt)
- 3 Aufsatz für verdeckte Einstellung (separat verpackt)
- 4 Differentialhebel (Nur einstellbare Differentialmodelle)
- 5 Deckel (Nicht bei Modellen A19AGC, A19AGF und A19BGC)

Der A19 ist ein Temperaturregler zum Fühlen von Temperaturen.

Dieses ist entsprechend EN 60730 ein, Wirkungsweise Typ 1, Unabhängig montiertes Regel- und Steuergerät Geeignet als Aufbaugerät, z. B. für Wandmontage und für Anwendung in Umgebungsbedingungen mit üblicher Verunreinigung. Bei den Modellen A19AGC, A19AGF und A19BGC handelt es sich um Einbaugeräte.

Diese Regler sind ausschließlich zur Verwendung als Bedienungselemente vorgesehen. In Situationen, in denen das Versagen eines Bedienungselements Personenschäden oder Sachverluste nach sich ziehen kann, ist der Installateur dafür verantwortlich, entsprechende Vorrichtungen oder Systeme einzubauen, die einem Regelversagen entgegenwirken oder die als entsprechende Frühwarnsysteme dienen.

Montage PLOMBIERSCHRAUBEN NICHT ANZIEHEN!

- △ Vor dem Entfernen des Deckels Spannung abschalten.
- △ A19AGC, A19AGF und A19BGC: Von Stromversorgung trennen, bevor der Regler eingestellt wird.

Verdrahtung
Alle Verdrahtungen müssen den am Einsatzort geltenden Vorschriften entsprechen und sind ausschließlich dazu befugten Personen vorbehalten. Bei Verwendung feindrätiger Leitungen sind Ademenhülsen zu verwenden.

Überprüfung
Vor dem Verlassen der Anlage sollten Sie diese mindestens drei Betriebszyklen beobachten und überprüfen, daß alle Komponenten ordnungsgemäß funktionieren. Sollte dies nicht der Fall, wenden Sie sich bitte an Ihren Händler.

NEM DEZE INSTRUCTIES GRONDIG DOOR ALVORENS U BEGINT MET HET INSTALLEREN EN BEWAAR ZE VOOR TOEKOMSTIG GEBRUIK

- 1 Temperatuur instellingsschijf
- 2 Knop voor temperatuur afstelling (apart verpakt)
- 3 Kap voor afdekking van temperatuurinstelling (apart verpakt)
- 4 Differentie instellingshendel (alleen bij modellen met verstelbare differentie)
- 5 Deksel (niet op A19AGC, A19AGF en A19BGC modellen)

De A19 is een thermostaat ontworpen voor het meten van temperaturen

Volgens EN 60730 is het een, type 1 actie, onafhankelijk te monteren apparaat, geschikt voor montage op een plat oppervlak en geschikt voor gebruik in een normaal vervuilde omgeving. De A19AGC, A19AGF en A19BGC modellen zijn in te bouwen apparaten.

Deze apparaten zijn alleen ontworpen voor gebruik als regelaar. Als een foutieve werking van de regelaar persoonlijk letsel of schade kan veroorzaken, moet de installateur bevestiging of alarm apparaat aansluiten die aangeeft dat de regelaar niet functioneert.

Montage NIET DRAAIEN AAN AFGELAKTE SCHROEVEN

- △ Schakel de voedingsspanning af voordat het deksel wordt verwijderd
- △ Voor A19AGC, A19AGF en A19BGC: Sluit de voedingsspanning af voordat de regelaar wordt afgesteld.

Bedrading
De installatie, de elektrische aansluiting en de instellingen dienen overeen te stemmen met de plaatselijke voorschriften en mogen enkel worden uitgevoerd door bevoegd personeel. Indien een draad met flexibele kern wordt toegepast dient het uiteinde van de draden te worden voorzien van een ader eindruis.

Controleprocedure

Controleer, voordat u de installatie zelfstandig laat werken, gedurende ten minste drie complete werkcycli of alle onderdelen correct werken. Werk de installatie niet correct, neem dan contact op met uw leverancier.

ESPAÑOL

LEA DETENIDAMENTE ESTA HOJA DE INSTRUCCIONES ANTES DE REALIZAR LA INSTALACION Y GUARDELA PARA FUTURAS CONSULTAS

- 1 Cuadrante para fijar el punto de control
- 2 Botón de ajuste (embalado por separado)
- 3 Casquillo para ajuste oculto (embalado por separado)
- 4 Palanca diferencial (sólo en modelos con diferencial ajustable)
- 5 Cubierta (no en los modelos A19AGC, A19AGF y BGC)

El A19 es un control de temperatura diseñado para detectar temperaturas.

Según EN 60730, es un, acción tipo 1 control montado independientemente adecuado para montaje en superficie en una superficie plana y para uso en condiciones de contaminación normal. Los modelos A19AGC, A19AGF y A19BGC son controles incorporados.

Estos controles están diseñados para ser utilizados solamente como controles de funcionamiento. En los casos en que un fallo de control de funcionamiento pudiera producir daños personales o a propiedades, es responsabilidad del instalador añadir los dispositivos o sistemas que protejan o adviertan de los fallos de control.

Instalación NO GIRE LOS TORNILLOS SELLADOS.

- △ Desconectar la corriente antes de quitar la tapa.
- △ Para A19AGC, A19AGF y A19BGC, desconecte la fuente de alimentación antes de ajustar el control.

Cableado
Todo el cableado debe cumplir las normativas locales y debe realizarse solamente por el personal autorizado. Cuando se utiliza cable flexible aplicar terminales en los extremos.

Procedimiento de comprobación
Antes de finalizar la instalación, observe por lo menos tres ciclos de operación completos para asegurarse que todos los componentes estén funcionando correctamente. Si no es así, póngase en contacto con su proveedor.

ITALIANO

GERE ATTENTAMENTE LE ISTRUZIONI PRIMA DELL'INSTALLAZIONE E ISERVARE PER FUTURE CONSULTAZIONI

- 1 Scala del valore di riferimento
- 2 Manopola di regolazione (fornita a parte)
- 3 Cappellotto per regolazione protetta (fornito a parte)
- 4 Leva differenziale (solo modelli a differenziale variabile)
- 5 Coperchio (eccetto modelli A19AGC, A19AGF e BGC)

Il dispositivo A19 è un regolatore della temperatura in grado di rilevare le temperature.

Secondo la EN 60730 è un, azione tipo 1 Regolatore montato indipendentemente, adatto per montaggio su una superficie piana e per uso in situazioni di normale inquinamento. I modelli A19AGC, A19AGF e A19BGC sono comandi incorporati.

Questi dispositivi hanno esclusivamente la funzione di comandi. Se un comando può provocare danni alle persone o alle cose, è responsabilità dell'installatore aggiungere gli opportuni dispositivi o sistemi di protezione o di segnalazione dello stato di guasto del comando stesso.

Installazione NON SBLOCCARE LE VITI SIGILLATE

- △ Staccare l'alimentazione prima di togliere il coperchio.
- △ Per A19AGC, A19AGF e A19BGC: togliere tensione prima di regolare il comando.

Cablaggio
Il cablaggio deve essere conforme alle normative locali ed essere eseguito esclusivamente da personale autorizzato. Quando si usa un cavo con filo a trefoli occorre applicare un capocorda alla fine di ogni filo.

Messa in funzione
Prima di concludere l'installazione, osservare almeno tre cicli operativi completi per accertare il corretto funzionamento di tutti i componenti. In caso di irregolarità, contattare il proprio fornitore.

PORTUGUÊS

LEIA ATENTAMENTE ESTA FOLHA DE INSTRUÇÕES ANTES DE PROCEDER À INSTALAÇÃO E GUARDE-A PARA UTILIZAÇÃO FUTURA.

- 1 Indicador do ponto de referência
- 2 Botão para ajuste (embalado separadamente)
- 3 Cobertura para ajuste oculto (embalado separadamente)
- 4 Avanço diferencial (somente modelos de diferencial ajustável)
- 5 Tampa (não nos modelos A19AGC, A19AGF e BGC

O A19 é um controlador de temperatura destinado à detecção de temperatura.

Segundo EN 60730 é um, ação tipo 1, Controlador montado independentemente, apropriado para montagem de superfície sobre uma superfície plana e para a utilização em condições normais de poluição. Os modelos A19AGC, A19AGF e A19BGC são controladores incorporados.

Estes controladores foram concebidos exclusivamente para a utilização como controladores operacionais. Quando uma falha do controlador operacional possa resultar em ferimentos físicos ou perda de propriedades, recai sobre o instalador a responsabilidade o acréscimo de dispositivos ou sistemas que protejam ou alertem contra uma falha do controlador.

Instalação NÃO GIRE OS PARAFUSOS SELADOS.

Antes de retirar a tampa, desligue a alimentação eléctrica.

Para A19AGC, A19AGF e A19BGC, desligue a alimentação eléctrica antes de ajustar o controlador.

Conexões

Todas as conexões devem estar conforme os códigos locais e efectuadas somente por pessoal autorizado. Ao ser utilizado cabo multifilar, monte um adaptador de cabo na extremidade do cabo.

Procedimento de controlo

Antes de abandonar a instalação, observe pelo menos três ciclos de funcionamento completos para assegurar-se de que todos os componentes funcionem correctamente. Do contrário, contacte o seu tomador.

SVENSKA

LÄS NOGA DESSA INSTALLATIONSANVISNINGAR INNAN INSTALLATIONEN UTFÖRS OCH BEVARA DEM FÖR FRAMTIDA REFERENS.

1. Vrid för inställningspunkt
2. Justeringsratt (i separat förpackning)
3. Lock till dold justering (i separat förpackning)
4. Differentialspak (endast för modeller med justeringsbar differential)
5. Skyddshölje (ej för modell A19AGC, A19AGF eller BGC-modeller)

A19 är en temperaturkontroll konstruerad för att avkänna temperaturer.

I hänvisning till EN 60730 är det, typ 1 styrning, oberoende monterad styrning passar för suitable för ytmontage på en plan yta och för användning i normalt nedsmutsad miljö. Modellerna A19AGC, A19AGF och A19BGC inbegriper styrenheter.

Denna styrenhet är utformad för att användas som opererande styrenhet och skall därför endast användas som sådan. Det är installatörens ansvar att förse installationen med enheter och/eller säkerhetssystem som förebygger att eventuellt skada tillfogas personer eller egendom till följd av drittel i styrenheten.

Installation VRID EJ PÅ DE FÖRSEGLADE SKRUVARNA

Koppla bort spänningen innan täcklocket tas bort.

För A19AGC, A19AGF och A19BGC Koppla bort nätanslutningen innan justeringar till styrenheten utförs.

Ledningar

All kabeldragning ska utföras enligt gällande bestämmelser och får endast utföras av behörig personal. När det används mångledad kabel, sått i en kabelsko i kabeländarna.

Kontrollera proceduren

Efter installationen bör man övervaka minst tre hela operationscykler fungerar som de ska. Om detta inte är fallet, kontakta leverantören.

SUOMI

LUE TÄMÄ OHJELEHTINEN ENNEN ASENNUSTA HUOLELLISESTI JA SÄILYÄ SE MYÖHEMMÄN TARPEEN VALRALTA

- 1 Asetusarvon valitsin
- 2 Säätönuppi (pakattu erikseen)
- 3 Kätkökappale piilosäätöä varten (pakattu erikseen)
- 4 Enönvipu (voidaan asentaa vain differentiaalimalleihin)
- 5 Suojus (ei A19AGC, A19AGF, BGC malleissa)

A19 on lämpötilan säädin, joka on tarkoitettu lämpötilan mittaamiseen.

EN 60730- normin mukaan kyseessä on, tyyppiä 1 toiminta, itsenäisesti asennettava säädin, soveltuu asennettavaksi tasaiselle pinnalle ja voidaan käyttää normaalissa saastetilanteessa. Mallit A19AGC, A19AGF ja A19BGC ovat kiinteitä säätimiä.

Nämä ohjausreleet on tarkoitettu vain laitteiston toiminnan ohjaukseen. Jos ohjaushäiriö voi johtaa henkilö- tai aineellisiin vahinkoihin, asentajan velvollisuutena on huolehtia tarvittavista lisälaitteista tai -järjestelmistä, jotka suojaavat ihmisiä ja laitteistoja ohjaushäiriön seurauksilta tai varoittavat häiriöstä.

Asennus ÄLÄ VÄÄNNÄ SINETÖITYJÄ RUUVIJA

Katkaise virta ennen suojuksen poistamista.

Säätimet A19AGC, A19AGF ja A19BGC: katkaise virta ennen säätimen asennusta.

Kykentä

Johdotus on tehtävä paikallisten määräysten mukaisesti ja sen saa suorittaa vain ammattitaitoinen henkilö. Käytettäessä monisäikeistä johtoa kaapelin hölkkä tulee kiinnittää kaapelin päähän.

Alkutarkastus

Ennen kuin laitteisto jätetään toimimaan ilman valvontaa, sen toimintaa on tarkkailtava ainakin kolme täyden jaksan ajan. Tällöin on varmistettava, että kaikki komponentit toimivat kunnolla. Jos laitteisto ei toimi asennuskäytössä, ota yhteys sen toimittajaan..

DANSK

LÆS DENNE VEJLEDNING GRUNDIGT FØR INSTALLATION OG GEM DEN TIL SENERE BRUG

- 1 Drejeskive til indstillingsværdien
- 2 Indstillingsknapp (adskilt pakning)
- 3 Kappe til afdekning af justeringen (adskilt pakning)
- 4 Differential indretning (kun justerbare differentiale modeller)
- 5 Skærm (ikke på modellerne A19AGC, A19AGF og BGC)

A19 er et temperatur kontrolapparat designet til føle temperaturerne.

Ifølge EN 60730 er det en, type 1 funktion, uafhængigt monteret udstyr tilpasset til frontmontage på en plan front og til anvendelse i normale omgivelser. Ved A19AGC, A19AGF og A19BGC modeller er betjeningen inkorpereret.

Disse regulatorer er kun beregnet til at blive brugt som driftsregulatorer. Hvis en fejl i en driftsregulator kan resultere i fare for personer eller materielle skader, er installatoren ansvarlig for, at der installeres anordninger eller systemer, som beskytter eller advarer mod fejl i regulatoren.

Installation DREJ IKKE PÅ DE FASTGJORTE SKRUE

Forsyningsspænding skal kobles fra før dæksel afmonteres.

Ved A19AGC, A19AGF og A19BGC afbrydes strømforsæren før betjeningen indstilles.

Elektrisk installation

Ledningsføring skal udføres i henhold til lokale forskrifter og må kun udføres af autoriseret personale. Ved anvendelse af flerleder kabel, skal der monteres kabelsko på endene.

Test procedure

Før installationen afsluttes. Observer mindst tre komplette betjenings cyklusser, for at være sikker på, at alle komponenter fungerer korrekt. Hvis det ikke er tilfældet, tag kontakt med Deres leverandør.

ČESKY

Před instalací pozorně pročtěte tento Montážní návod a uložte jej na bezpečné místo pro případnou budoucí potřebu.

- 1 Stupnice bodu nastavení
- 2 Točičko pro nastavení (baleno samostatně)
- 3 Krytka pro skryté nastavení (balena samostatně)
- 4 Páčka nastavení difference (pouze příslušné modely)
- 5 Kryt (není u modelu A19AGC, A19AGF a BGC)

A19 je teplotní regulátor určený ke snímání teploty.

Podle EN 60730 je jeho provoz typu 1, nezávisle instalovaný regulátor, vhodný pro montáž na rovný povrch a pro použití v podmínkách běžné neznečištění. Modely A19AGC, A19AGF a A19BGC jsou vhodné jako vestavné zařízení.

Tyto regulátory jsou určeny pro použití pouze jako provozní. Pokud by jejich selhání způsobilo zranění osob nebo poškození majetku, je povinností osoby provádějící instalaci připojit zařízení nebo systémy, které ochraňují nebo varují před selháním regulátoru.

Instalace Neotáčejte zapečetěnými šrouby.

Před demontáží a krytu odpojte přívod napájení.

Před nastavením regulátoru A19AGC, A19AGF a BGC odpojte přívod napájení.

Zapojení

Všechné zapojení musí odpovídat příslušným normám a musí být provedeno pouze odpovědnými osobami. Při použití víceprůvodního vodiče nalisujte na jeho odzvolňovací konec zakončovací dutinku.

Kontrola

Před tím, než opustíte instalované zařízení, zkontrolujte alespoň tři kompletní provozní cykly, abyste se ujistili, že všechny součásti pracují správně. V opačném případě se spojte se svým dodavatelem.

NORSK

LES DENNE VEILEDNINGEN GRUNDIG FØR INSTALLERING, OG GJEM DEN FOR FREMTIDIG BRUK.

1. Skive for settpunkt.
2. Justeringsknapp (pakket separat)
3. Hette for skjult justering (pakket separat)
4. Differensialarm (kun modeller med justerbar differential)
5. Deksel (ikke modell A19AGC, A19AGF og BGC)

A19 er en temperaturregulator for føling av temperaturer.

Ifølge EN 60730 er det en, type 1 funksjon, uavhengig monteret utstyr tilpasset for frontmontasje på en plan front og for bruk i normalt forurensette omgivelser. Modellene A19AGC, A19AGF og A19BGC er kombinerte kontroller.

Disse regulatorene er kun konstruert for bruk som driftsregulatorer. Hvis en feil på en driftsregulator kan føre til fare for personer eller materielle skader, er det installatørens ansvar å sørge for installering av anordninger eller systemer som beskytter mot, eller advarer om, feil på regulatoren.

Montering IKKE VRI PÅ DE FORSEGLEDE SKRUENE

Koble fra tilførselspenning før deksel demonteres.

For A19AGC, A19AGF og A19BGC Frakoble strømforsyningen før kontrollen justeres.

Kabling

Kabling skal utføres i samsvar med lokale forskrifter og må bare utføres av autorisert personell. Ved bruk av flertrådig kabel, bruk kabelsko på endene.

Kontrollprosedyre

Før installasjonen forlattes, må man observere minst tre komplette driftsyttyklusser, og være sikker på at alle komponenter fungerer riktig. Hvis ikke må leverandøren kontaktes.

ΕΛΛΗΝΙΚΑ

ΔΙΑΒΑΣΤΕ ΠΡΟΣΕΚΤΙΚΑ ΑΥΤΕΣ ΤΙΣ ΟΔΗΓΙΕΣ ΠΡΙΝ ΑΡΧΙΣΤΕ ΤΗΝ ΕΓΚΑΤΑΣΤΑΣΗ ΚΑΙ ΦΥΛΑΞΤΕ ΤΙΣ ΓΙΑ ΜΕΛΛΟΝΤΙΚΗ ΧΡΗΣΗ

- 1 Διάκος επιλογής τιμής αναφοράς
- 2 Κουμπί ρύθμισης (χωριστά συσκευασμένο)
- 3 Κάλυμμα για κρυφή ρύθμιση (χωριστά συσκευασμένο)
- 4 Μοχλός διαφοράς θερμοκρασίας (μόνο σε μοντέλα με ρυθμιζόμενη διαφορά θερμοκρασίας)
- 5 Περιβλήμα (δεν υπάρχει στα μοντέλα A19AGC, A19AGF και BGC)

Η συσκευή A19 είναι μονάδα ελέγχου θερμοκρασίας σχεδιασμένη να μετρά θερμοκρασίες

Σύμφωνα με το πρότυπο EN 60730 είναι μονάδα ελέγχου δράσης τύπου 1, ενσωματωμένη, κατάλληλη για τοποθέτηση σε επίπεδη επιφάνεια και για χρήση σε κανονικές συνθήκες ρύπανσης. Τα μοντέλα A19AGC, A19AGF και A19BGC είναι ενσωματωμένες διατάξεις ελέγχου.

Αυτοί οι μηχανισμοί ελέγχου έχουν σχεδιαστεί ώστε να χρησιμοποιηθούν αποκλειστικά ως ελεγκτές λειτουργίας. Αποτελεί ευθύνη του τεχνικού εγκατάστασης να προσέξει μηχανισμούς ή συστήματα αποτροπής ή προεidoποίησης βλαβών του ελεγκτή, ώστε να αποτραπεί το ενδεχόμενο πρόκλησης σφαλμάτων βλαβών ή υλικών ζημιών στην περιττωσή κάποιου διαλειτουργίας του ελεγκτή.

Εγκατάσταση ΜΗΝ ΣΤΡΕΨΕΤΕ ΤΙΣ ΣΦΡΑΓΙΣΜΕΝΕΣ ΒΙΔΕΣ

Αποσυνδέστε τη συσκευή από το ρευματολήπτη πριν αραιρέστε το κάλυμμα.

Για τις συσκευές A19AGC, A19AGF και A19BGC, πριν ρυθμίσετε τη διάταξη ελέγχου, διακόψτε την παροχή ρεύματος.

Καλωδίωση

Όλες οι καλωδιώσεις θα πρέπει να συμμορφώνονται με τους τοπικούς κανονισμούς και να πραγματοποιούνται μόνο από εξουσιοδοτημένο προσωπικό. Αν χρησιμοποιείτε πολυκλώνο καλώδιο, βάλτε ένα κατάλληλο συνδετήρα στο άκρο του καλωδίου.

Διαδικασία τελικού ελέγχου

Πριν φύγετε από το χώρο της εγκατάστασης, παρατηρήστε τουλάχιστον τρεις κύκλους λειτουργίας για να βεβαιωθείτε ότι όλα τα τμήματα λειτουργούν σωστά. Σε διαφορετική περίπτωση, καλέστε τον προμηθευτή του υλικού. Η καθυστέρηση θα πρέπει να ελεγχεται μετά το τέλος της διαδικασίας εγκατάστασης αλλά και σε τακτά χρονικά διαστήματα.

Free Manuals Download Website

<http://myh66.com>

<http://usermanuals.us>

<http://www.somanuals.com>

<http://www.4manuals.cc>

<http://www.manual-lib.com>

<http://www.404manual.com>

<http://www.luxmanual.com>

<http://aubethermostatmanual.com>

Golf course search by state

<http://golfingnear.com>

Email search by domain

<http://emailbydomain.com>

Auto manuals search

<http://auto.somanuals.com>

TV manuals search

<http://tv.somanuals.com>