

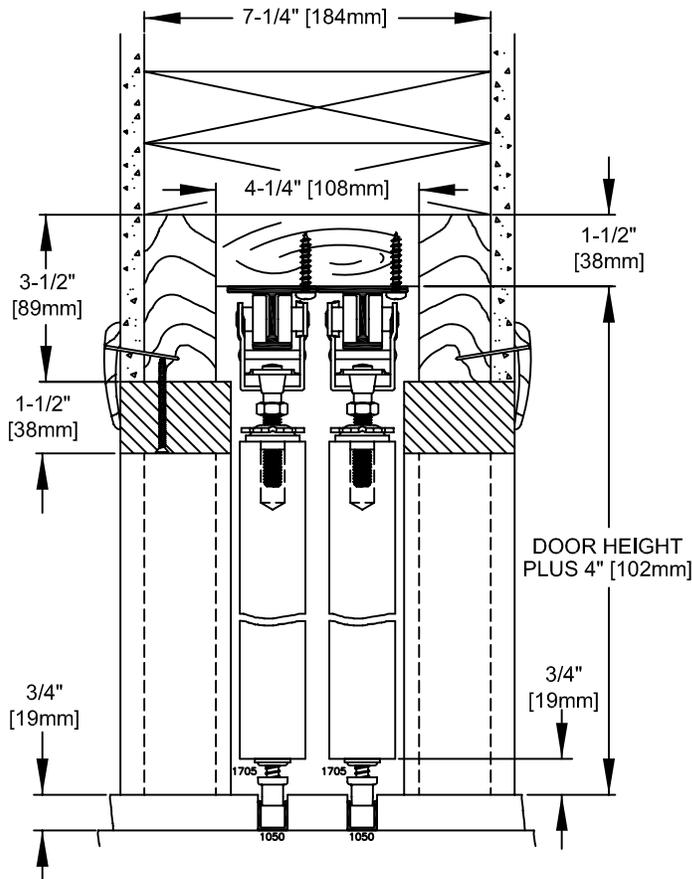
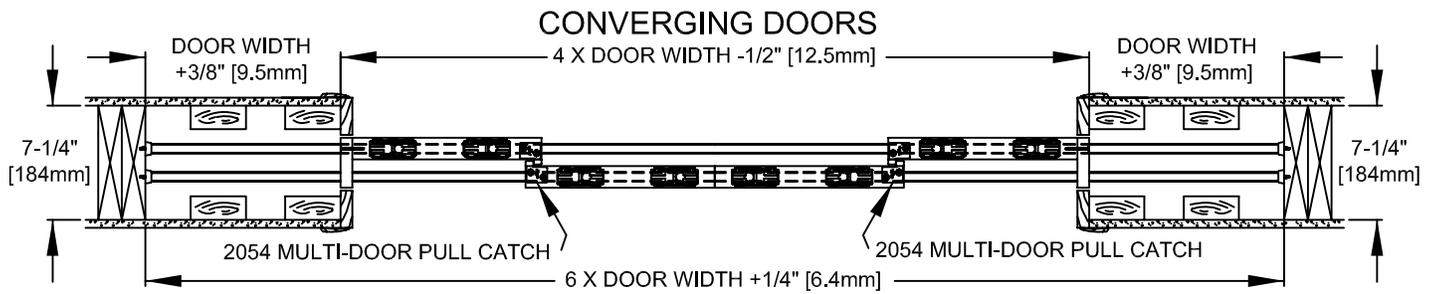
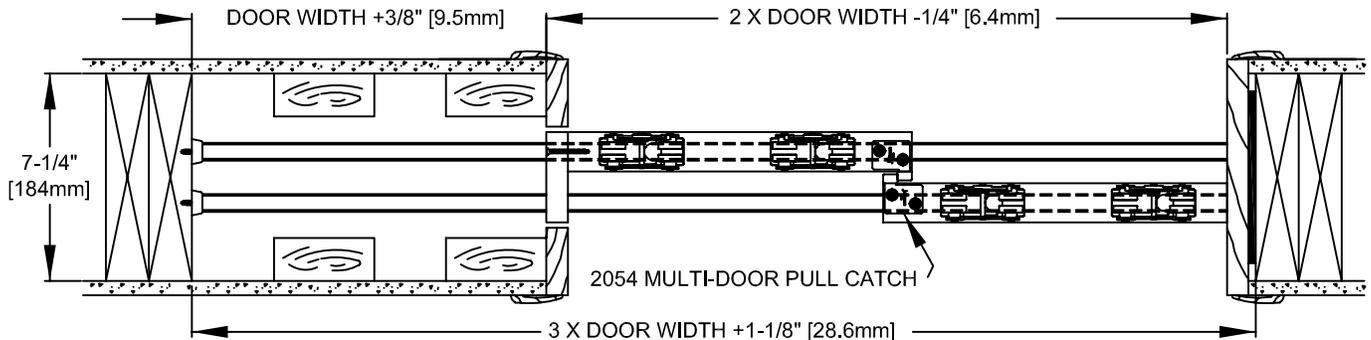


INSTRUCTIONS

**SPECIAL DOUBLE
POCKET APPLICATION
200PD SERIES HARDWARE
FOR 1-1/8" (28mm)
TO 1-3/4" (45mm)
200PD - 300 lb (136 kg.)**

www.johnsonhardware.com

MULTI-PASS POCKET DOOR 200PD SERIES



JOHNSON 200 SERIES

200PD SERIES NECESSARY COMPONENTS

- 2 - 200 SERIES TRACKS
- 2 - 1050 BOTTOM TRACKS
- 4 - 2020 HANGERS
- 2 - 1513 BUMPER
- 4 - 1705 BOTTOM GUIDES
- 1 - 2054PLBG MULTI-DOOR PULL CATCH
- 1 - 2055 STOP

CONVERGING JOHNSON 200 SERIES

200PD SERIES NECESSARY COMPONENTS

- 4 - 200 SERIES TRACKS
- 4 - 1050 BOTTOM TRACKS
- 8 - 2020 HANGERS
- 4 - 1513 BUMPER
- 8 - 1705 BOTTOM GUIDES
- 2 - 2054PLBG MULTI-DOOR PULL CATCH
- 4 - 2055 STOP

Free Manuals Download Website

<http://myh66.com>

<http://usermanuals.us>

<http://www.somanuals.com>

<http://www.4manuals.cc>

<http://www.manual-lib.com>

<http://www.404manual.com>

<http://www.luxmanual.com>

<http://aubethermostatmanual.com>

Golf course search by state

<http://golfingnear.com>

Email search by domain

<http://emailbydomain.com>

Auto manuals search

<http://auto.somanuals.com>

TV manuals search

<http://tv.somanuals.com>