



www.johnsonhardware.com

# INSTRUCTIONS

For one 1 3/8" to 1 3/4" door up to 75 lbs.

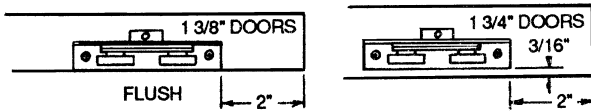
## 2800F Series Double Fascia Open Pocket Single Door

Prepare opening as shown. If necessary, cut track to fit. Fasten track to header with #8 x 1 1/4" screws. **MAKE SURE TRACK IS ABSOLUTELY LEVEL** or door will not stay in position.

Fasten 1513 BUMPER to pocket jamb.

Dismantle 12 GUIDE and fasten base to jamb at floor level.

Attach hangers to top edge of door with #8 x 1 1/4" screws 2" from each edge. On 1 3/8" doors, hanger base is placed flush with front face of door. On 1 3/4" doors, base is set back 3/16" from the front face.



Tilt top of doors back and set hanger wheels on channel of track. (In vertical position, wheels will not jump track.)

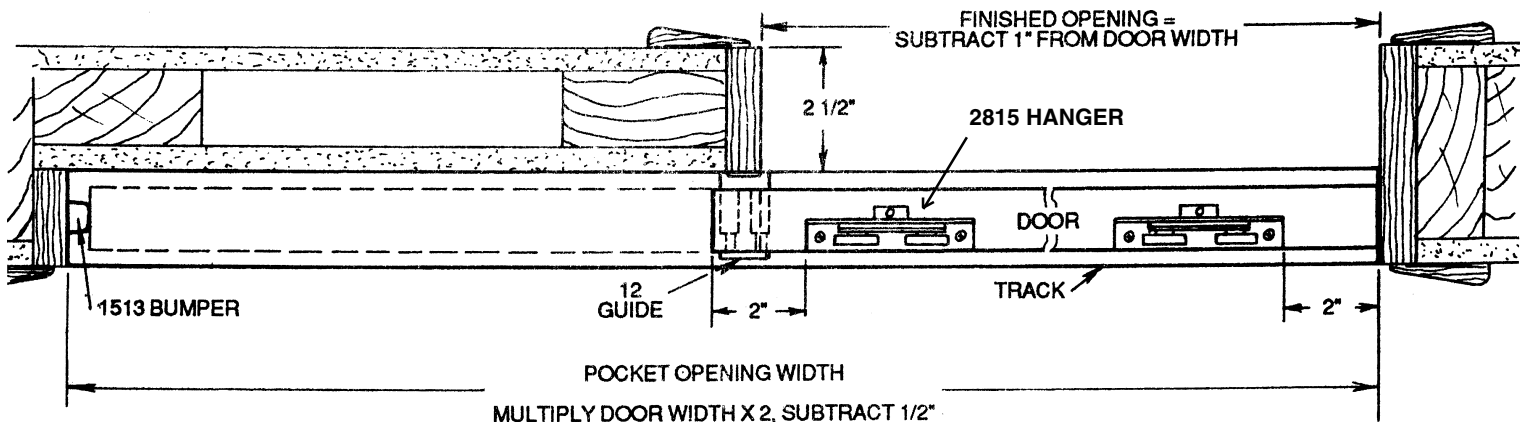
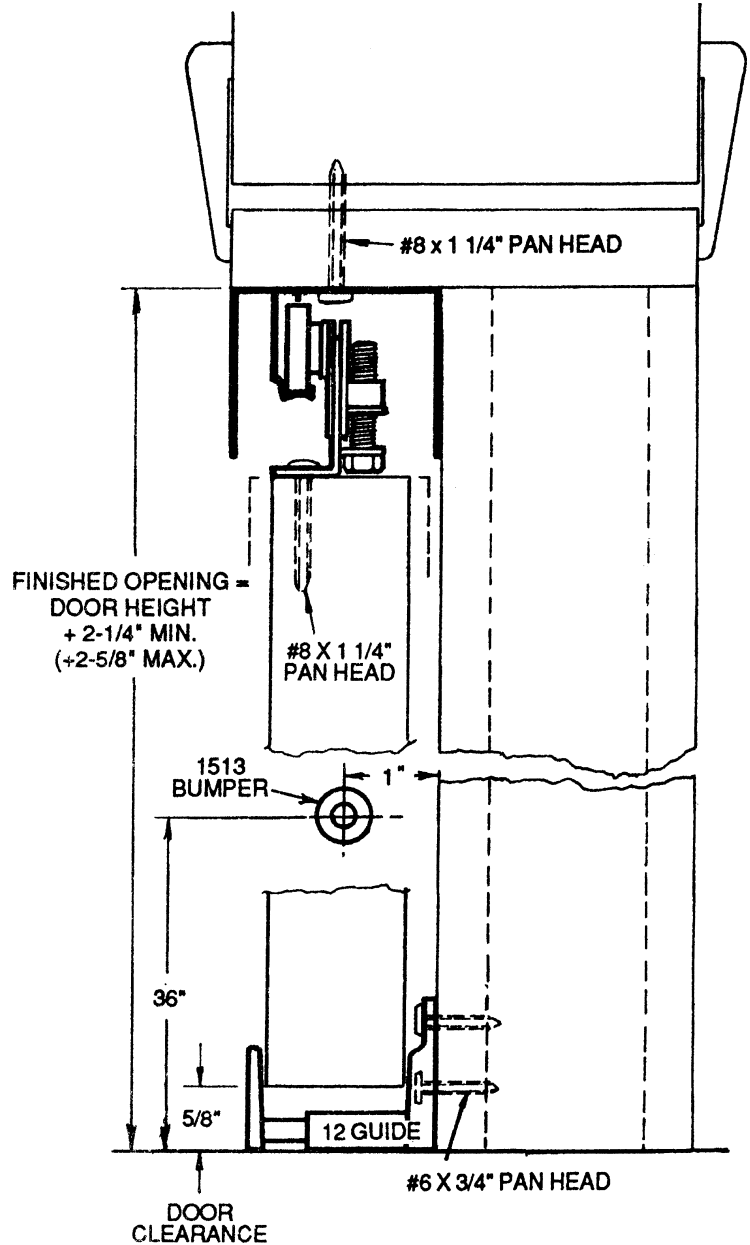
Reinsert front half of 12 GUIDE and position so that door slides freely. Fasten with 2 screws.

Adjust hangers if necessary to plumb door with jamb.

Finish trim as desired.

Drill to fit pulls, 36" from floor.

PLEASE NOTE: The hanger adjustment is to be used only to level and square the door.



## Free Manuals Download Website

<http://myh66.com>

<http://usermanuals.us>

<http://www.somanuals.com>

<http://www.4manuals.cc>

<http://www.manual-lib.com>

<http://www.404manual.com>

<http://www.luxmanual.com>

<http://aubethermostatmanual.com>

Golf course search by state

<http://golfingnear.com>

Email search by domain

<http://emailbydomain.com>

Auto manuals search

<http://auto.somanuals.com>

TV manuals search

<http://tv.somanuals.com>