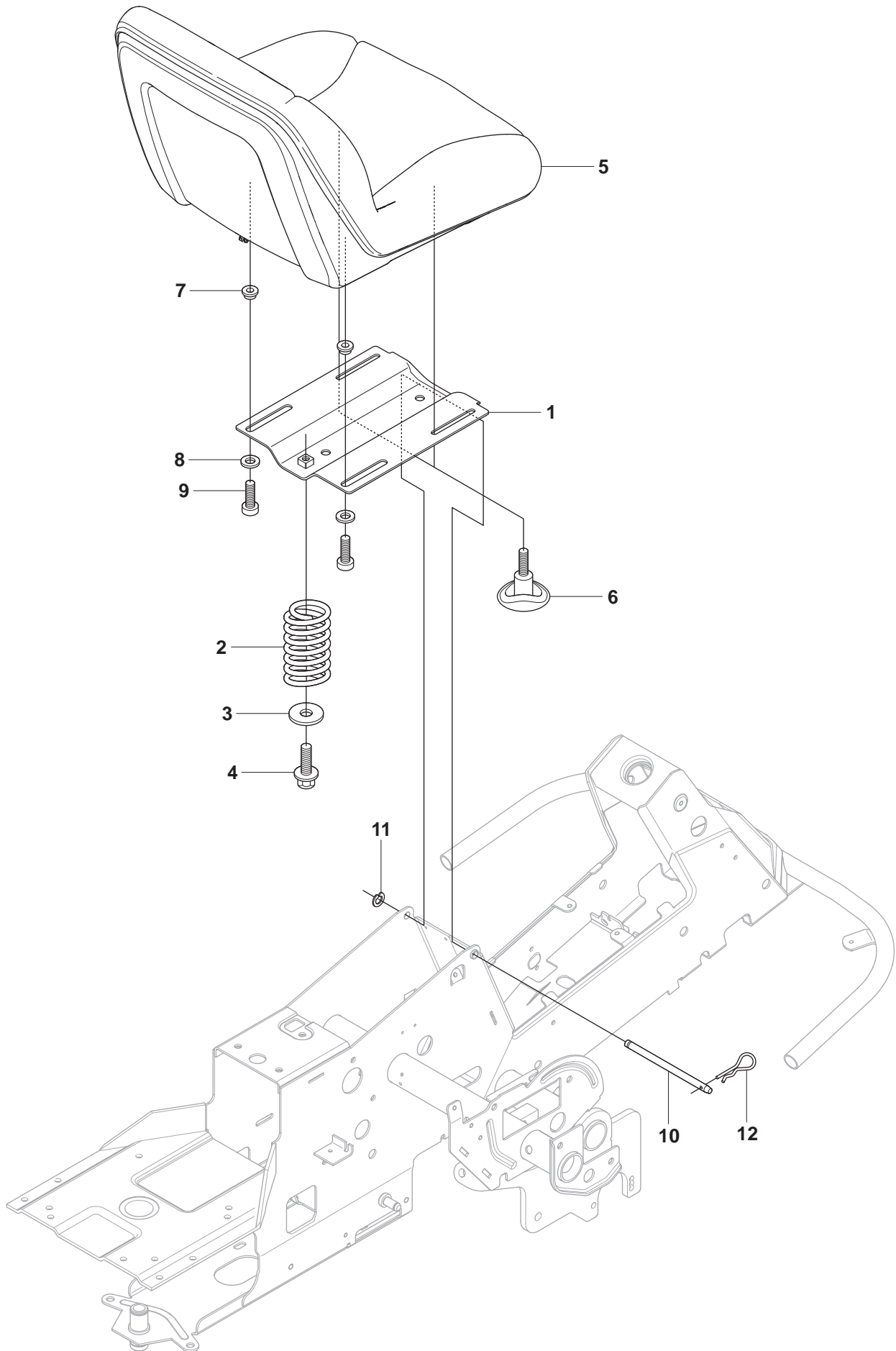


FR 2216 MA 4x4

Spare parts
Ersatzteile
Pièces détachées
Reserve onderdelen
Repuestos
Reservdelar

A FR2216 MA 4x4
SEAT, TS2500

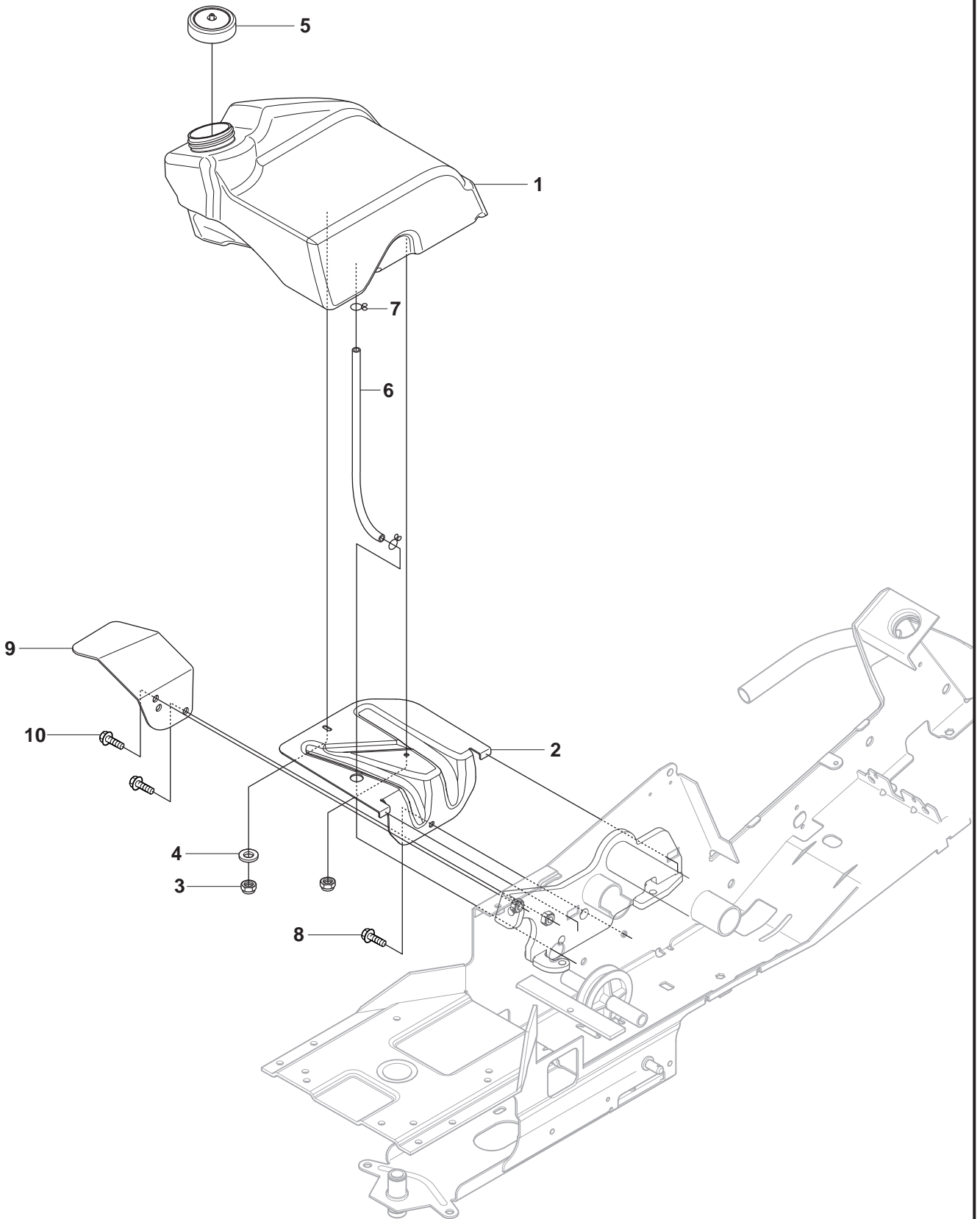




FR2216 MA 4x4
SEAT, TS2500

Pos.	Compl No.	Part No.	Description	Qty.	Notes
1		544 32 85-04		1	
2		506 91 53-01		1	
3		734 11 74-41		1	
4		725 24 93-71		1	
5		502 60 97-01		1	
6		506 56 55-01		2	
7		506 56 53-01		2	
8		734 11 64-41		2	
9		506 55 63-01		2	
10		506 50 99-01		1	
11		735 31 12-00		1	
12		506 66 88-01		1	

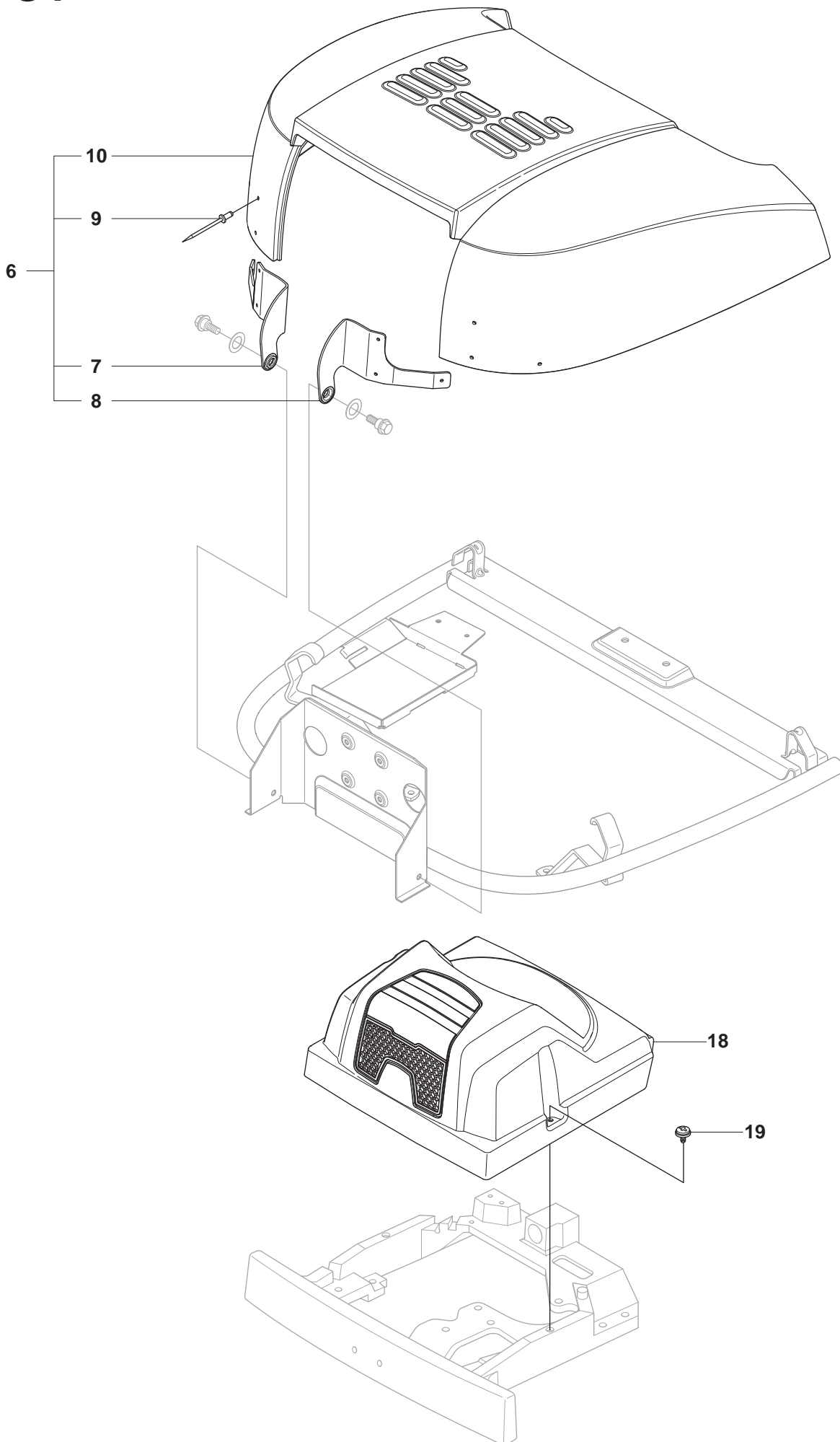
B FR2216 MA 4x4
FUEL SYSTEM



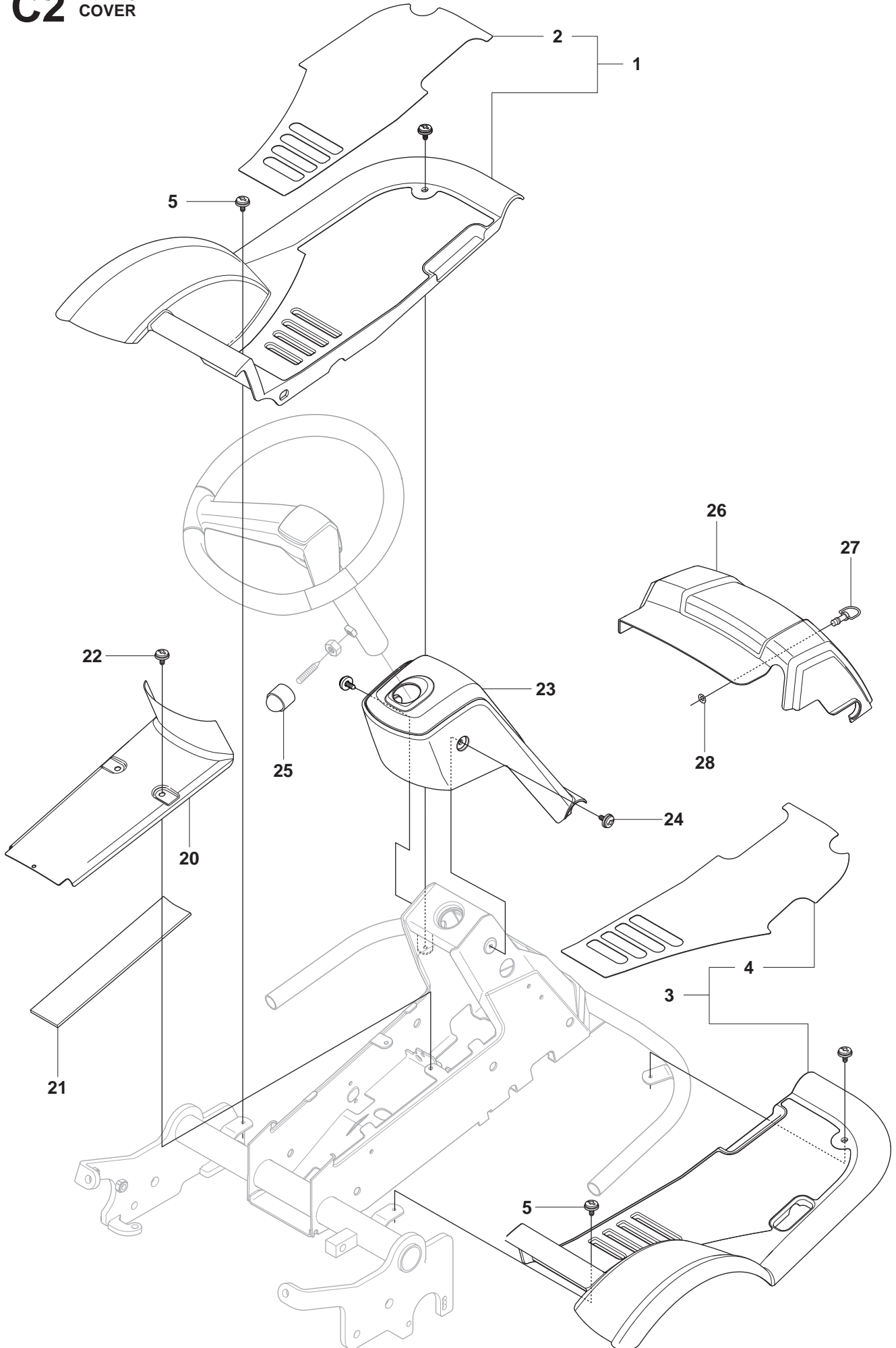
B FR2216 MA 4x4
FUEL SYSTEM

Pos.	Compl No.	Part No.	Description	Qty.	Notes
1		504 05 99-01		1	
2		544 32 93-01		1	
3		732 21 16-01		2	
4		734 11 56-01		1	
5		506 67 33-01		1	
6		506 94 67-07		1	
7		535 46 97-01		2	
8		725 23 64-61		1	
9		504 55 66-01		1	
10		725 24 93-71		2	

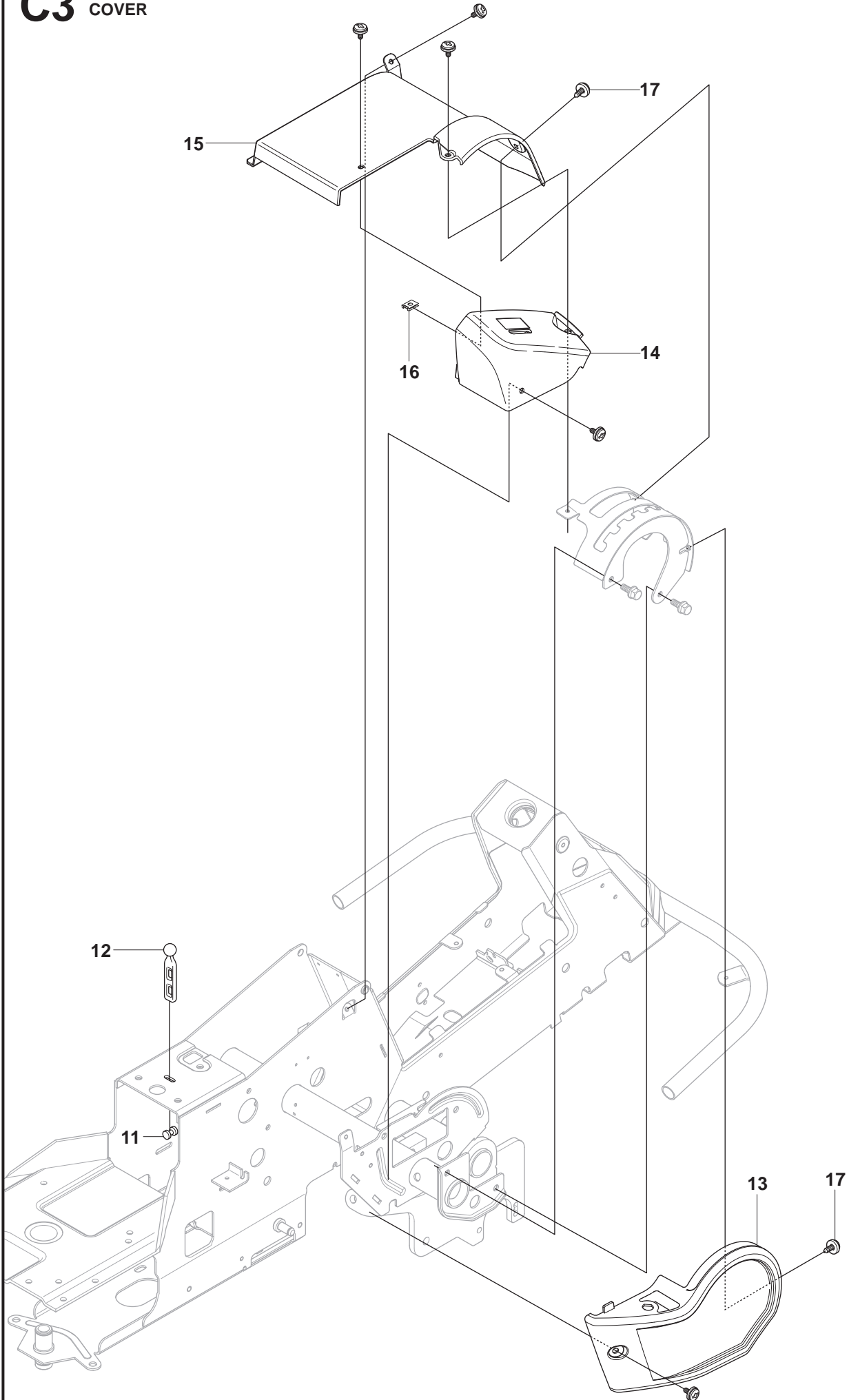
C1 FR2216 MA 4x4
COVER



C2 FR2216 MA 4x4
COVER



C3 FR2216 MA 4x4
COVER

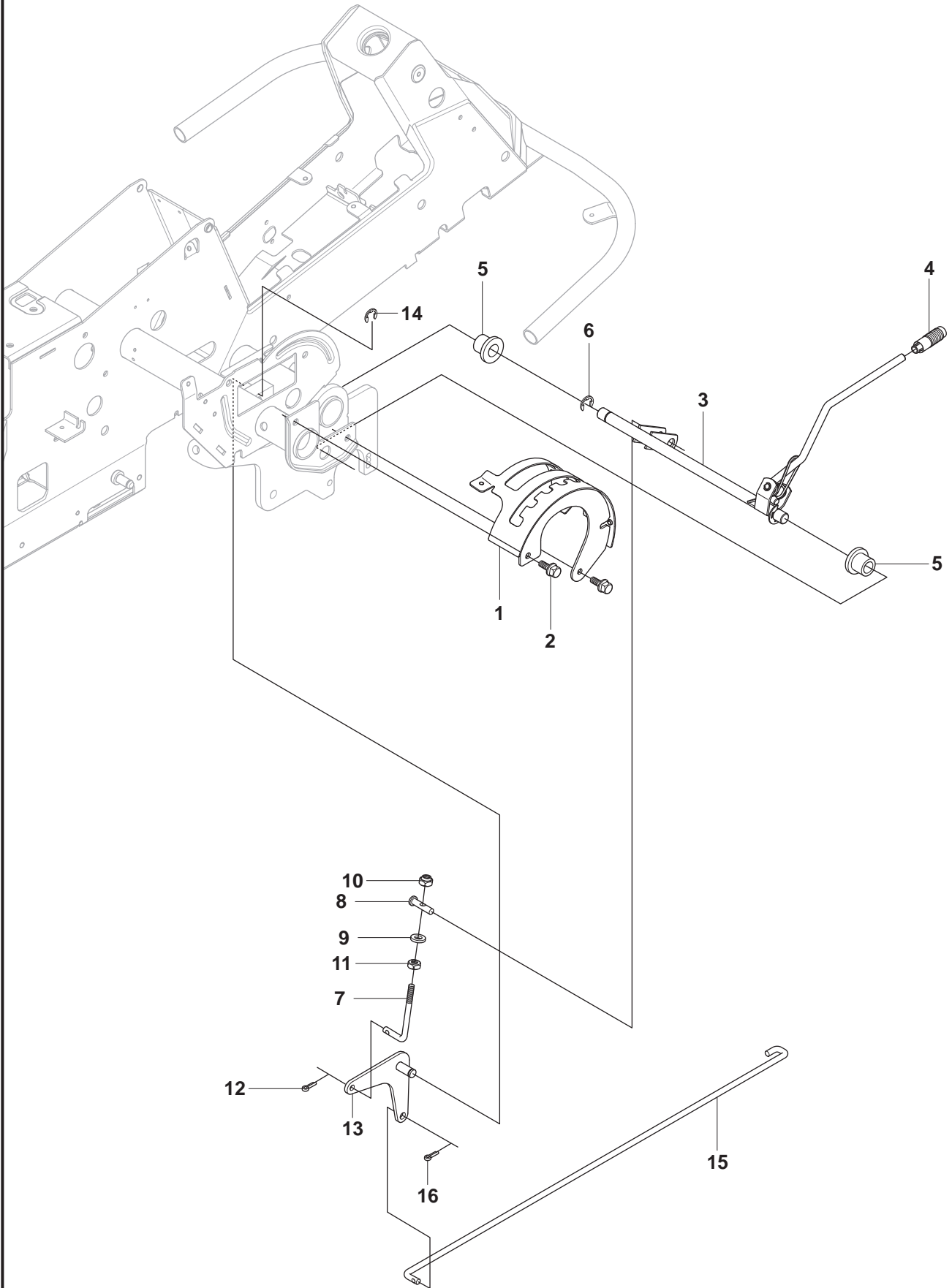




FR2216 MA 4x4
COVER

Pos.	Compl No.	Part No.	Description	Qty.	Notes
1		502 29 07-01		1	C2
2	502 29 07-01	504 06 02-01		1	C2
3		502 29 07-03		1	C2
4	502 29 07-03	504 06 02-03		1	C2
5		544 40 05-01		4	C2
6		535 41 90-02		1	C1
7	535 41 90-02	535 41 99-01		1	C1 LEFT
8	535 41 90-02	535 41 99-02		1	C1 RIGHT
9	535 41 90-02	722 79 54-02		6	C1
10	535 41 90-02	535 41 79-02		1	C1
11		506 59 95-01		1	C1
12		506 59 96-01		1	C1
13		504 05 95-01		1	C3
14		504 05 97-02		1	C3
15		504 05 98-02		1	C3
16		535 42 91-01		1	C3
17		544 40 05-01		7	C3
18		544 37 39-02		1	C1
19		544 40 05-01		2	C1
20		544 23 92-02		1	C2
21		544 42 75-01		1	C2
22		544 40 05-01		2	C2
23		504 06 01-01		1	C2
24		544 40 05-01		2	C2
25		544 43 32-02		1	C2
26		544 37 42-02		1	C2
27		506 96 35-01		1	C2
28		506 96 36-01		1	C2

D FR2216 MA 4x4
HEIGHT ADJUSTMENT



D FR2216 MA 4x4
HEIGHT ADJUSTMENT

Pos.	Compl No.	Part No.	Description	Qty.	Notes
1		535 50 14-02		1	
2		506 57 01-03		2	
3		504 73 45-01		1	
4		506 54 20-01		1	
5		506 55 43-01		2	
6		735 31 22-20		1	
7		506 90 82-01		1	
8		506 78 46-01		1	
9		734 11 72-01		1	
10		732 21 18-01		1	
11		731 23 18-01		1	
12		721 61 83-01		1	
13		544 22 77-01		1	
14		735 31 15-20		1	
15		544 22 70-01		1	
16		721 61 83-01		1	

E FR2216 MA 4x4
MOWER LIFT

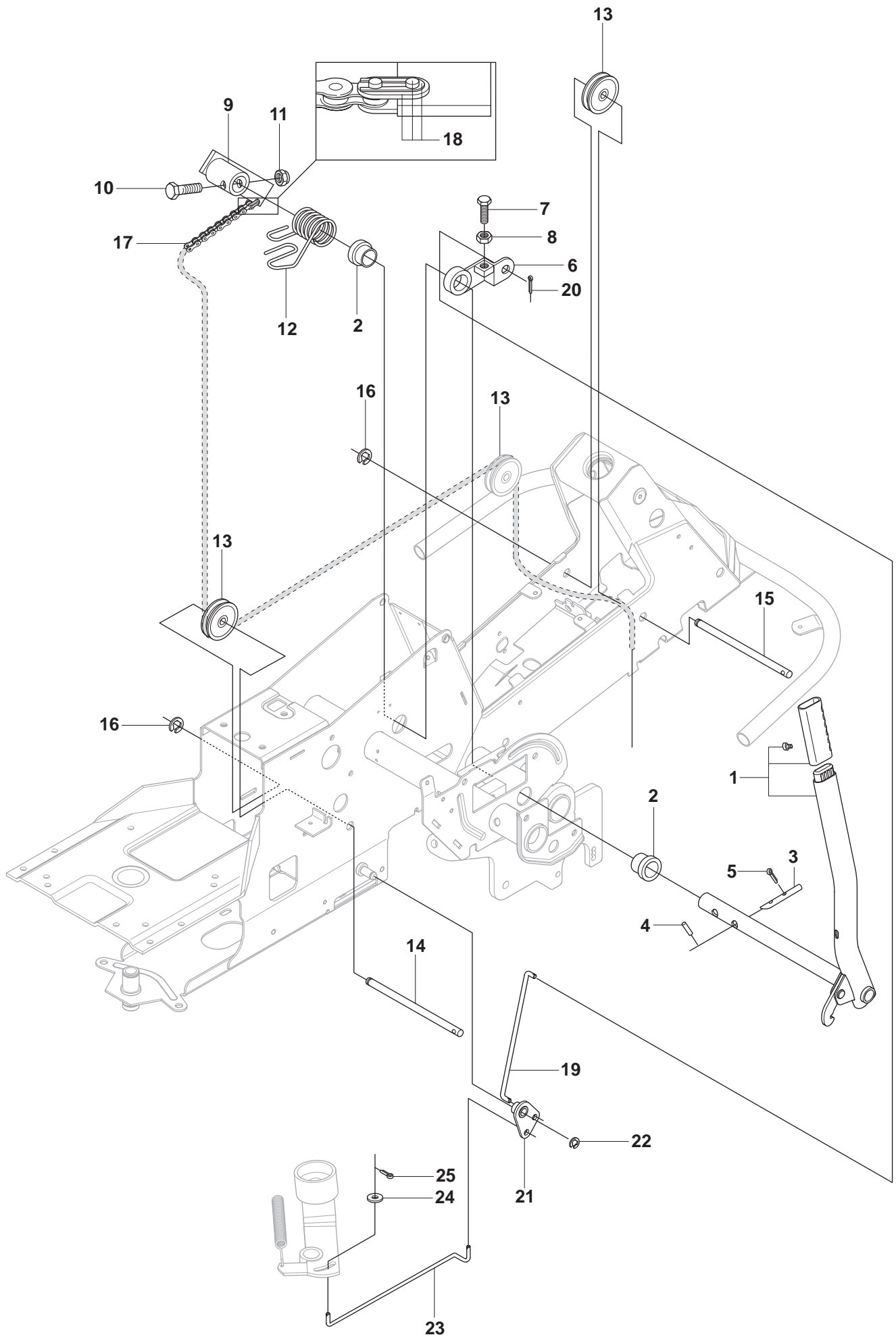


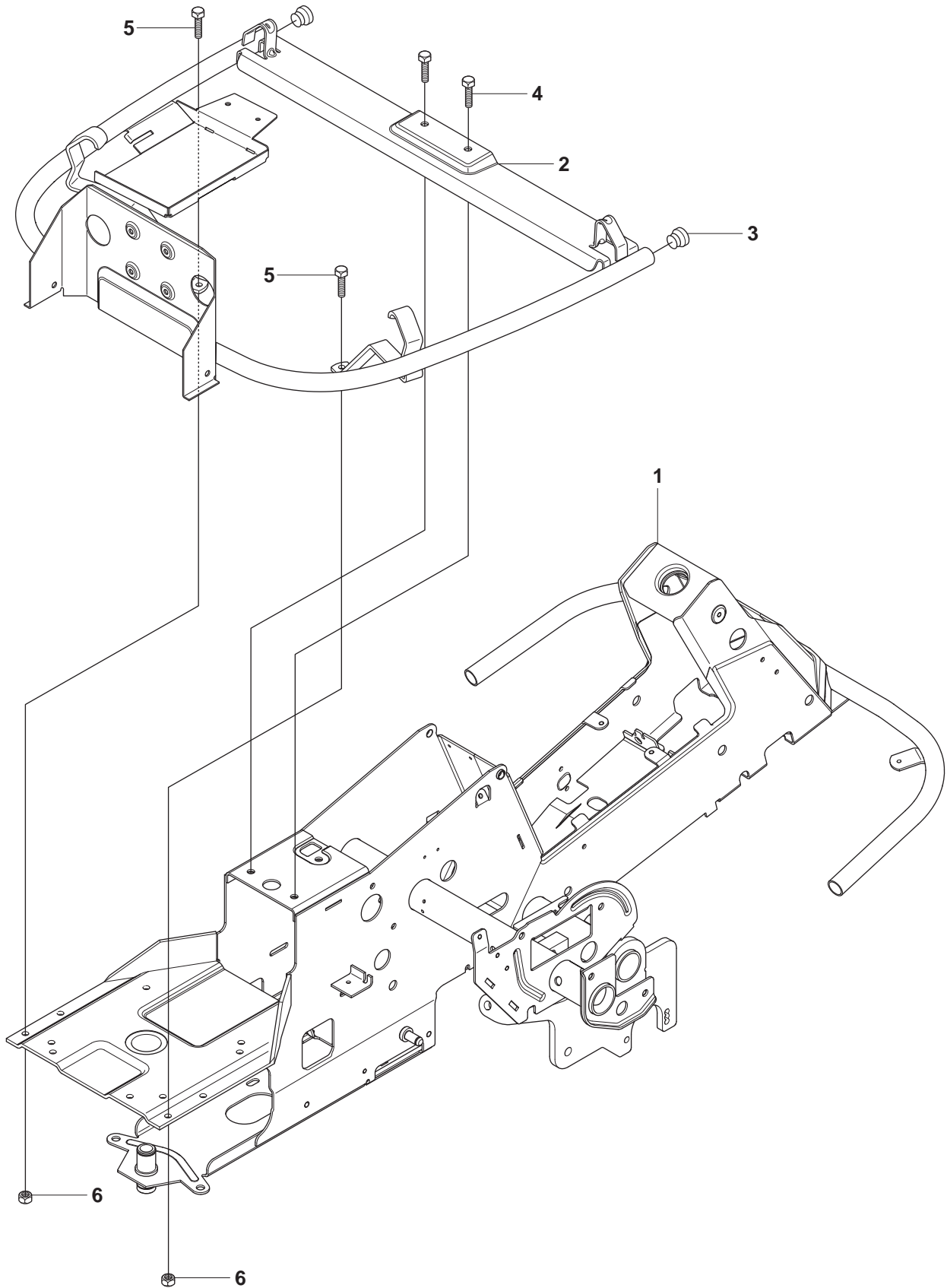
Image name: 307424445 1



FR2216 MA 4x4
MOWER LIFT

Pos.	Compl No.	Part No.	Description	Qty.	Notes
1		501 01 86-01		1	
2		506 55 65-01		2	
3		506 90 53-01		1	
4		721 12 59-30		1	
5		721 61 83-01		1	
6		506 78 43-01		1	
7		725 24 97-51		1	
8		731 23 20-51		1	
9		544 43 36-01		1	
10		725 25 42-51		1	
11		732 25 22-01		1	
12		506 91 68-01		1	
13		506 90 56-01		2	
14		506 90 57-01		1	
15		506 90 57-02		1	
16		735 31 18-20		2	
17		506 55 46-09		1	
18		506 55 47-01		1	
19		544 45 69-01		1	
20		721 61 83-01		1	
21		544 37 86-01		1	
22		735 31 14-20		1	
23		544 44 88-01		1	
24		734 11 64-41		1	
25		721 61 83-01		1	

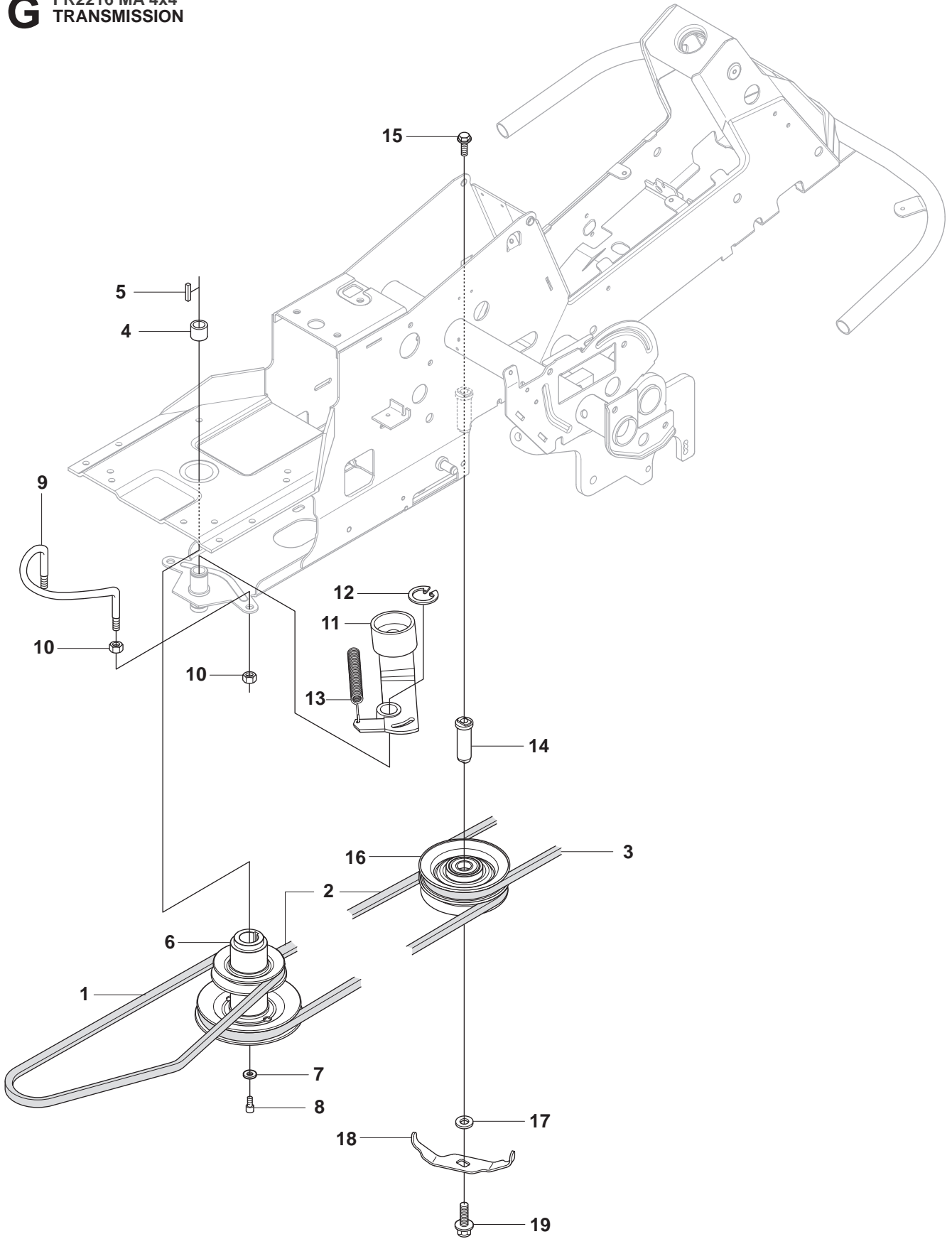
F FR2216 MA 4x4
CHASSIS



F FR2216 MA 4x4
CHASSIS

Pos.	Compl No.	Part No.	Description	Qty.	Notes
1		544 84 24-02		1	
2		502 24 78-01		1	
3		506 81 01-01		2	
4		506 57 01-03		2	
5		725 24 51-71		2	
6		732 21 18-01		2	

G FR2216 MA 4x4
TRANSMISSION

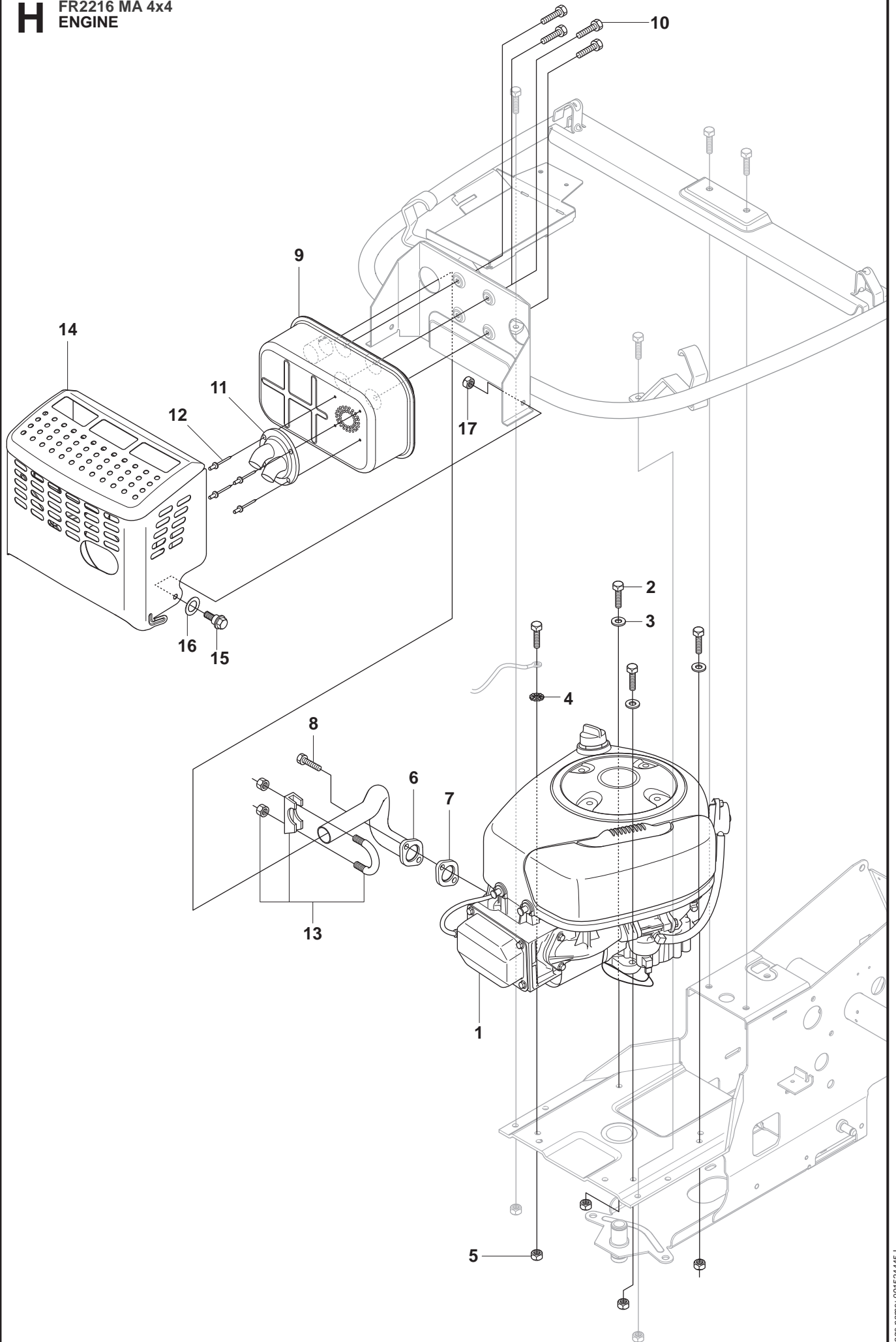




FR2216 MA 4x4
TRANSMISSION

Pos.	Compl No.	Part No.	Description	Qty.	Notes
1		506 98 83-01		1	
2		544 40 02-01		1	
3		544 23 89-01		1	
4		506 50 92-01		1	
5		506 55 59-01		1	
6		535 48 24-01		1	
7		506 59 75-01		1	
8		506 55 60-02		1	
9		506 66 45-01		1	
10		731 23 20-51		4	
11		535 48 44-01		1	
12		735 31 26-00		1	
13		506 66 56-01		1	
14		544 42 61-01		1	
15		506 67 54-02		1	
16		535 48 22-01		1	
17		506 77 57-01		1	
18		544 40 53-01		1	
19		506 57 01-05		1	

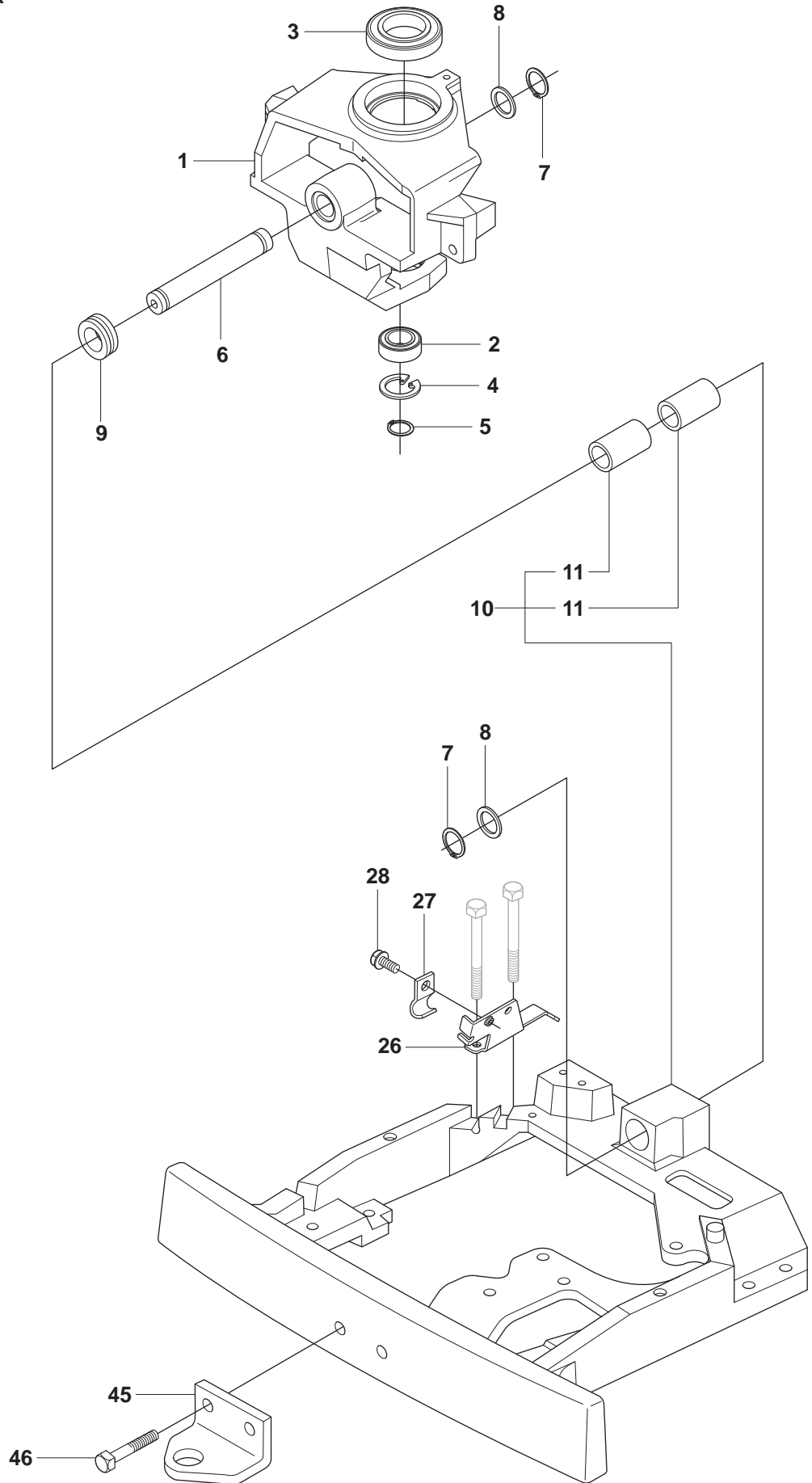
H FR2216 MA 4x4
ENGINE



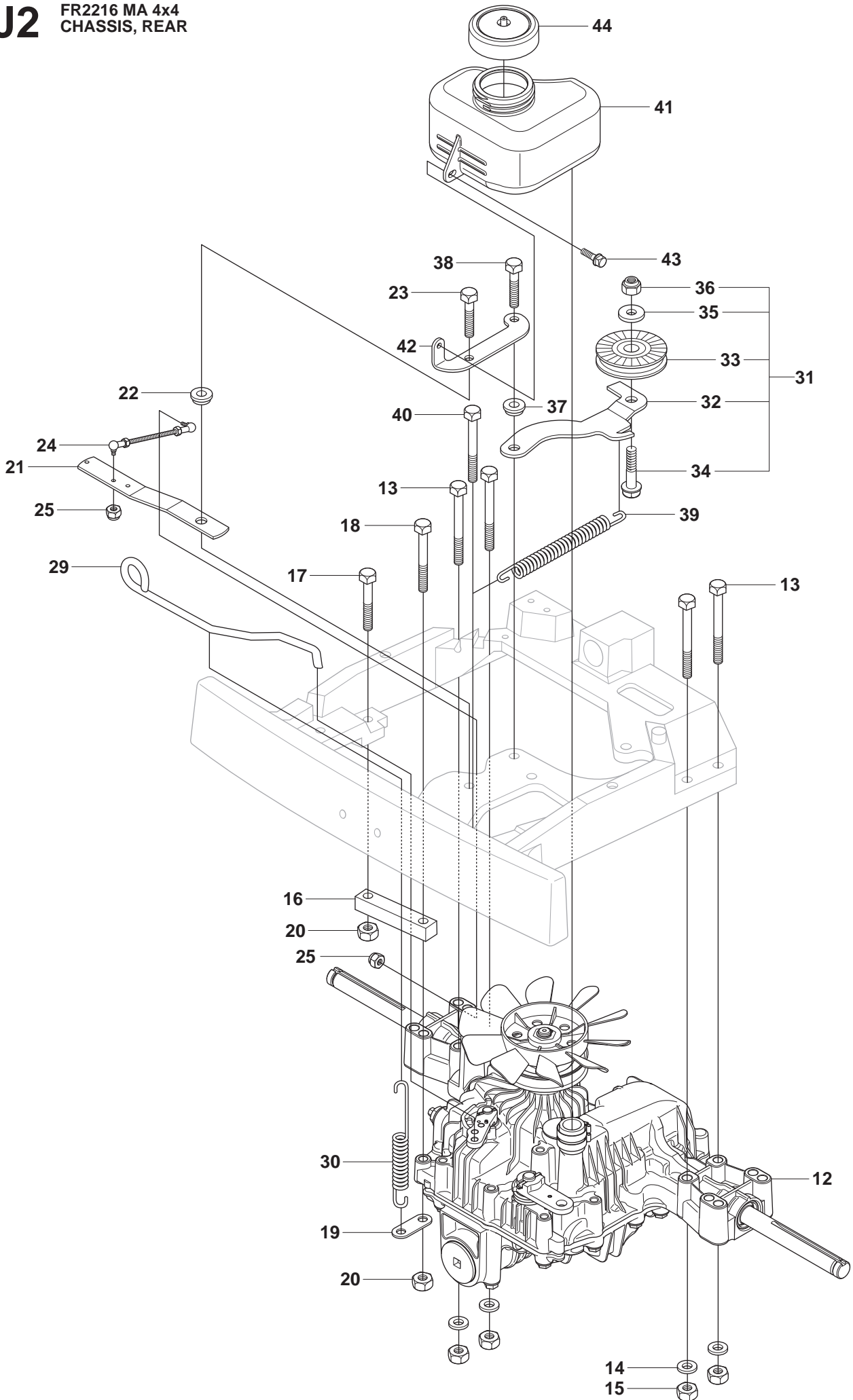


**FR2216 MA 4x4
ENGINE**

Pos.	Compl No.	Part No.	Description	Qty.	Notes
1		544 45 28-01		1	
2		725 24 57-51		4	
3		734 11 64-01		3	
4		735 21 64-00		1	
5		732 21 18-01		4	
6		535 48 52-02		1	
7		506 91 45-01		1	
8		506 55 63-01		2	
9		535 40 08-01		1	
10		725 23 68-61		4	
11		506 82 79-01		1	
12		722 79 23-09		4	
13		506 66 84-01		1	
14		535 41 62-01		1	
15		506 59 74-01		2	
16		506 83 94-01		2	
17		732 21 18-01		2	

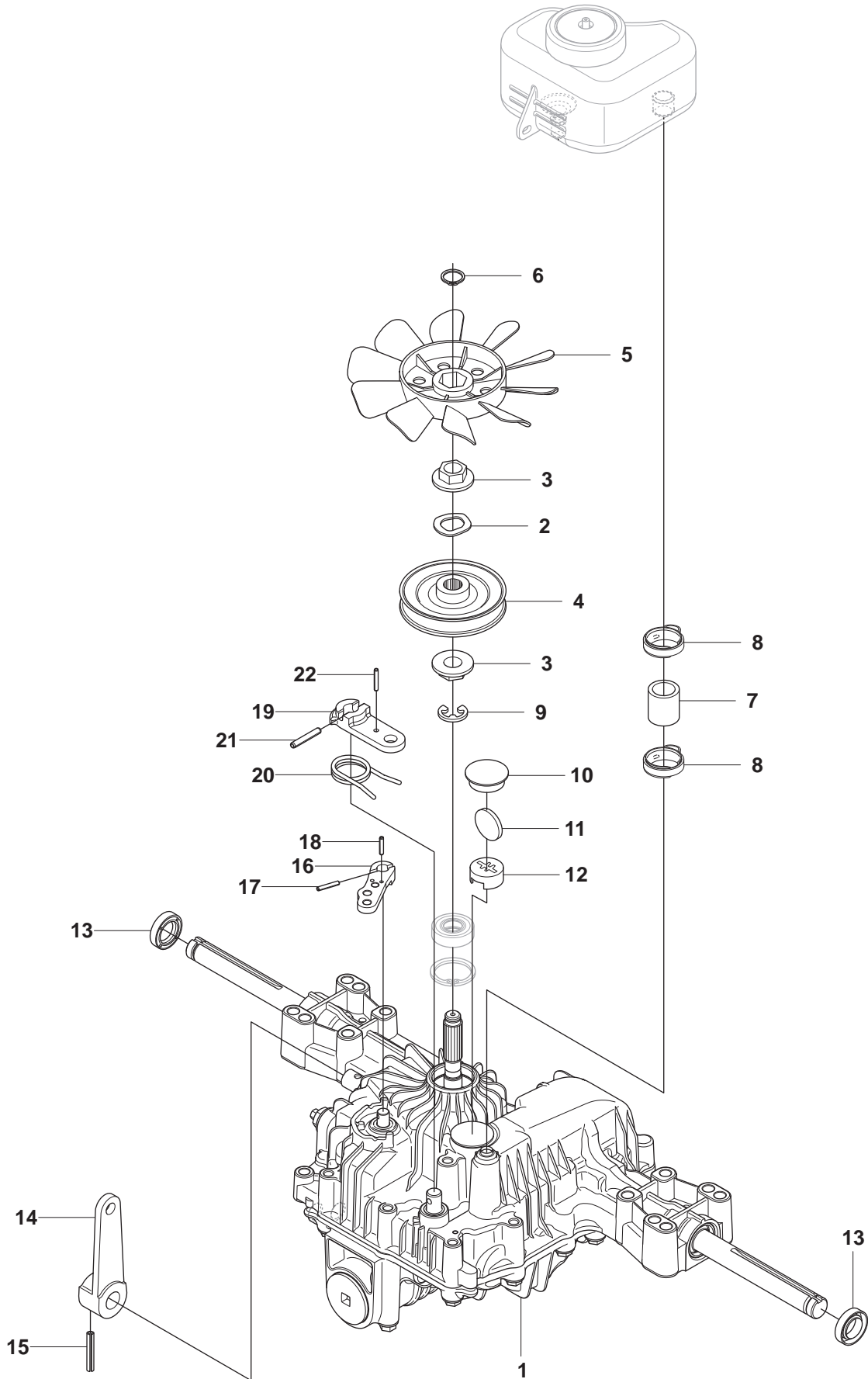
J1**FR2216 MA 4x4
CHASSIS, REAR**

J2 FR2216 MA 4x4
CHASSIS, REAR



J**FR2216 MA 4x4
CHASSIS, REAR**

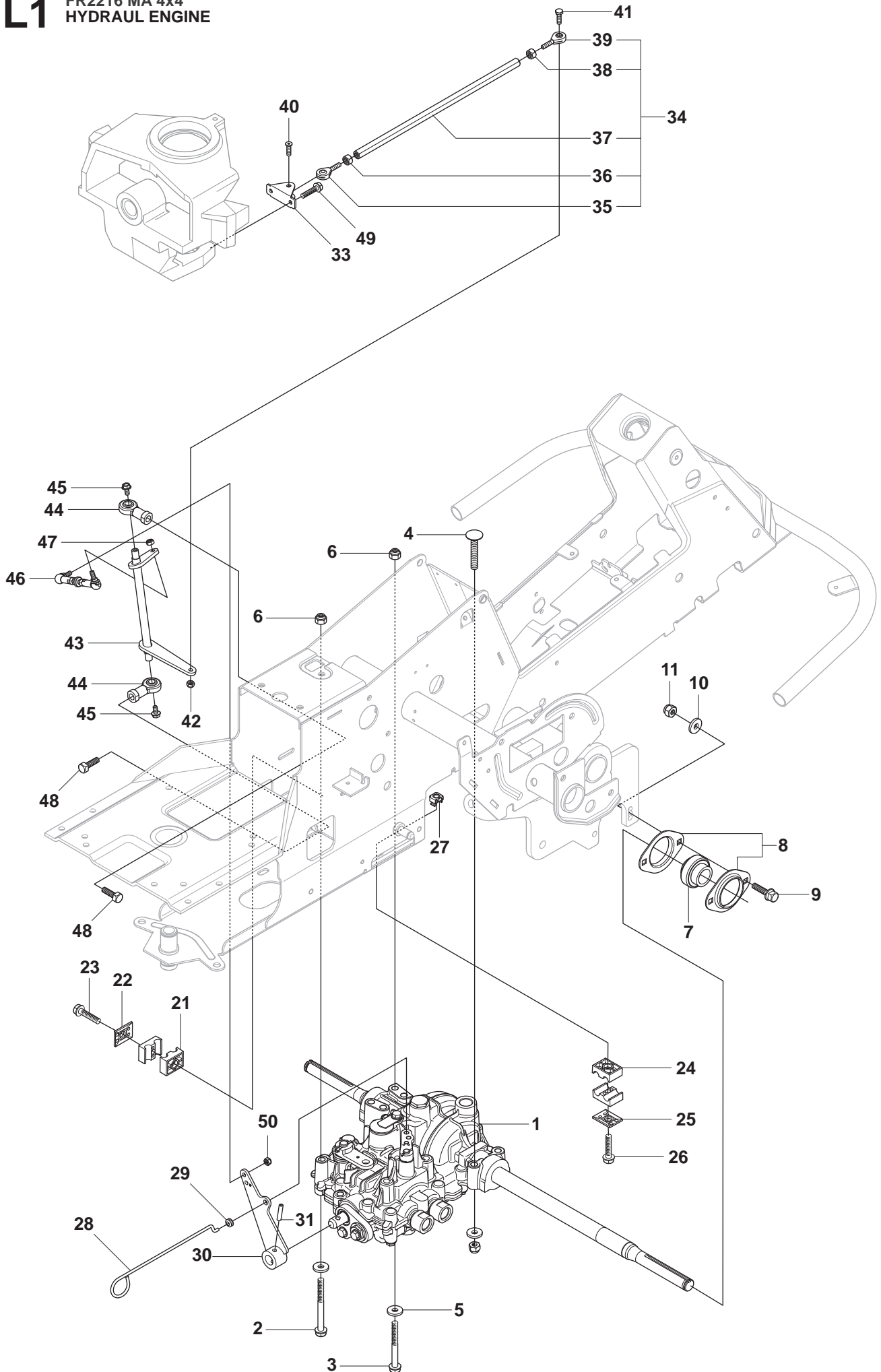
Pos.	Compl No.	Part No.	Description	Qty.	Notes
1		506 98 58-04		1	J1
2		738 21 05-04		1	J1
3		738 21 10-04		1	J1
4		735 31 40-10		1	J1
5		735 31 26-00		1	J1
6		506 98 59-01		1	J1
7		735 31 26-00		2	J1
8		506 77 34-01		2	J1
9		740 68 14-21		1	J1
10		535 40 60-02		1	J1
11	535 40 60-02	506 98 61-02		2	J1
12		544 11 61-01		1	J2
13		725 24 67-51		4	J2
14		734 11 64-01		4	J2
15		731 23 18-01		4	J2
16		506 98 72-01		1	J2
17		725 24 59-51		1	J2
18		725 24 62-51		1	J2
19		506 59 93-01		1	J2
20		731 23 18-01		2	J2
21		506 98 74-03		1	J2
22		506 91 87-02		1	J2
23		725 24 51-51		1	J2
24		506 98 75-01		1	J2
25		732 21 14-01		2	J2
26		544 26 21-01		1	J1
27		506 56 65-01		1	J1
28		725 23 64-61		1	J1
29		506 98 82-01		1	J2
30		506 83 43-01		1	J2
31		506 98 84-01		1	J2
32	506 98 84-01	506 98 85-01		1	J2
33	506 98 84-01	506 94 69-01		1	J2
34	506 98 84-01	725 24 55-51		1	J2
35	506 98 84-01	734 11 64-41		1	J2
36	506 98 84-01	732 21 18-01		1	J2
37		506 91 87-02		1	J2
38		725 24 51-51		1	J2
39		506 98 86-01		1	J2
40		725 24 64-51		1	J2
41		544 10 01-01		1	J2
42		544 12 17-01		1	J2
43		725 23 64-61		1	J2
44		506 67 33-01		1	J2
45		506 88 99-01		1	J1
46		725 24 93-71		2	J1





FR2216 MA 4x4
HYDROSTAT K574 SP

Pos.	Compl No.	Part No.	Description	Qty.	Notes
1		544 11 61-01		1	
2		506 98 65-01		1	
3		506 98 66-01		2	
4		502 45 19-01		1	
5		506 98 68-01		1	
6		735 31 15-00		1	
7		502 45 16-01		1	
8		506 98 70-01		2	
9	544 11 61-01	535 40 28-07		1	
10	544 11 61-01	535 40 28-32		1	
11	544 11 61-01	535 40 28-29		1	
12	544 11 61-01	502 45 20-01		1	
13	544 11 61-01	535 40 28-37		2	
14	544 11 61-01	502 45 32-01		1	
15	544 11 61-01	535 40 28-09		1	
16	544 11 61-01	535 40 28-17		1	
17	544 11 61-01	535 40 28-16		1	
18	544 11 61-01	535 40 28-33		1	
19	544 11 61-01	535 40 28-38		1	
20	544 11 61-01	535 40 28-39		1	
21	544 11 61-01	535 40 28-40		1	
22	544 11 61-01	535 40 28-41		1	

L1**FR2216 MA 4x4
HYDRAUL ENGINE**

L2 FR2216 MA 4x4
HYDRAUL ENGINE

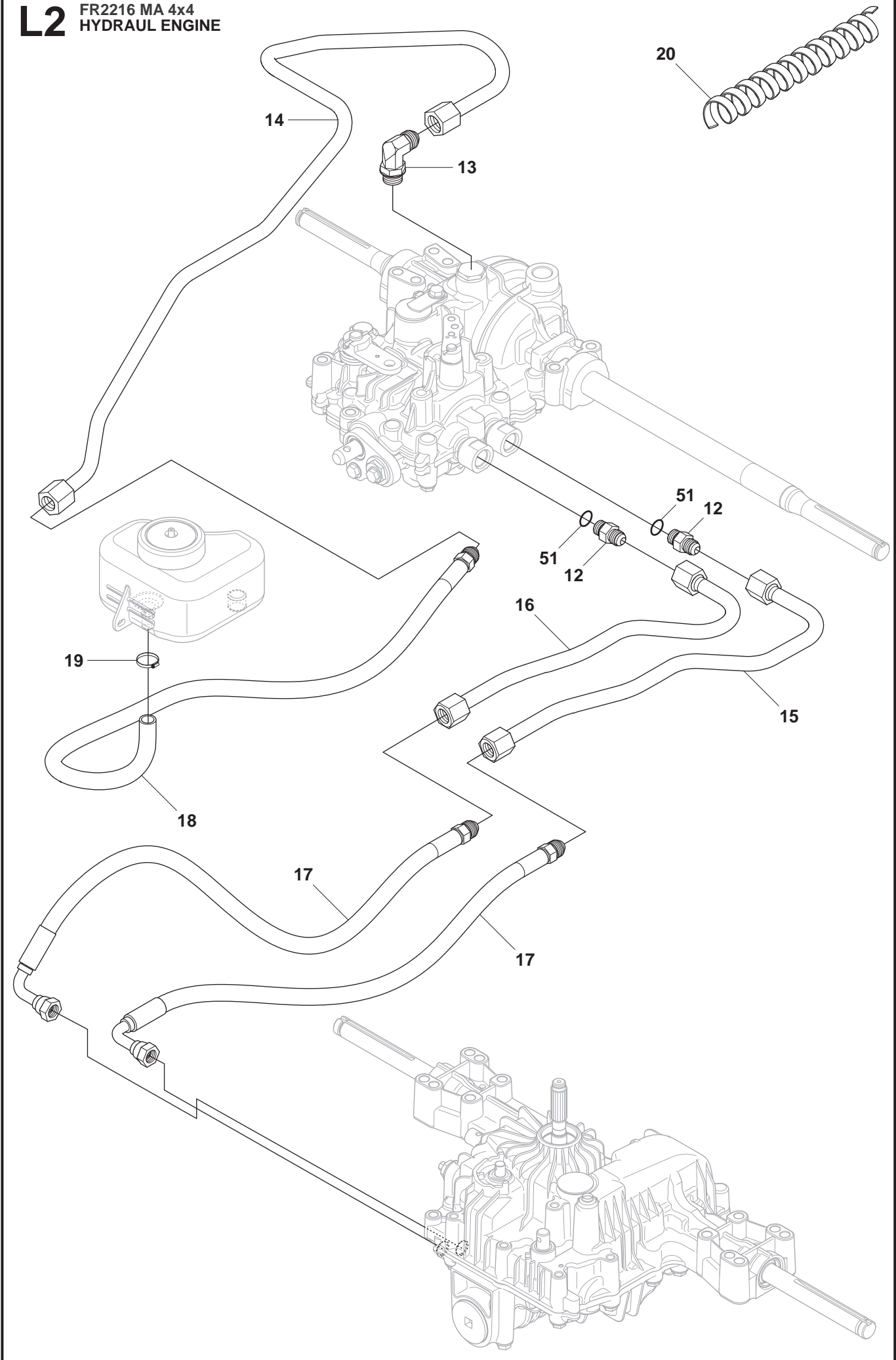


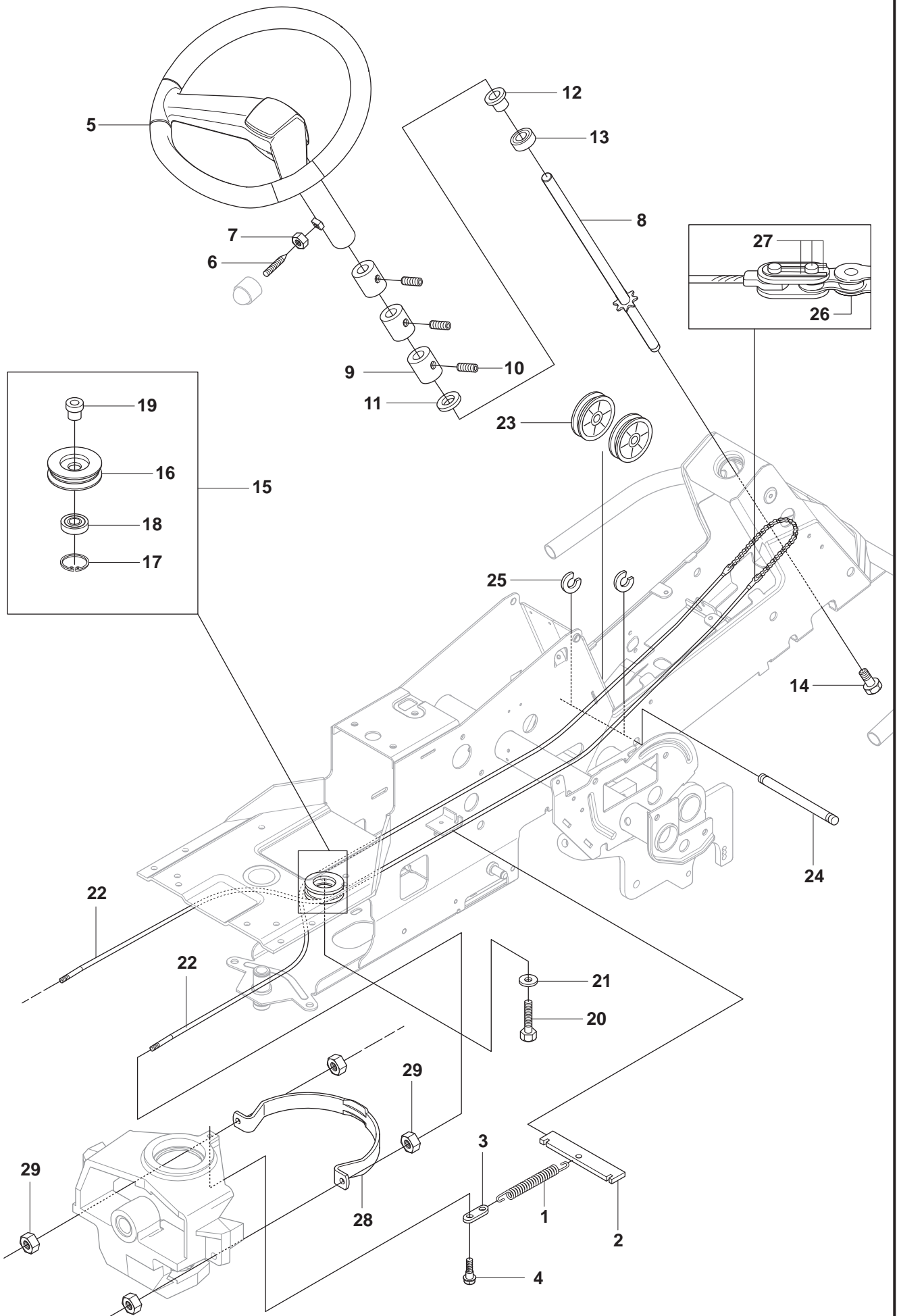
Image name: 107638445_J



**FR2216 MA 4x4
HYDRAUL ENGINE**

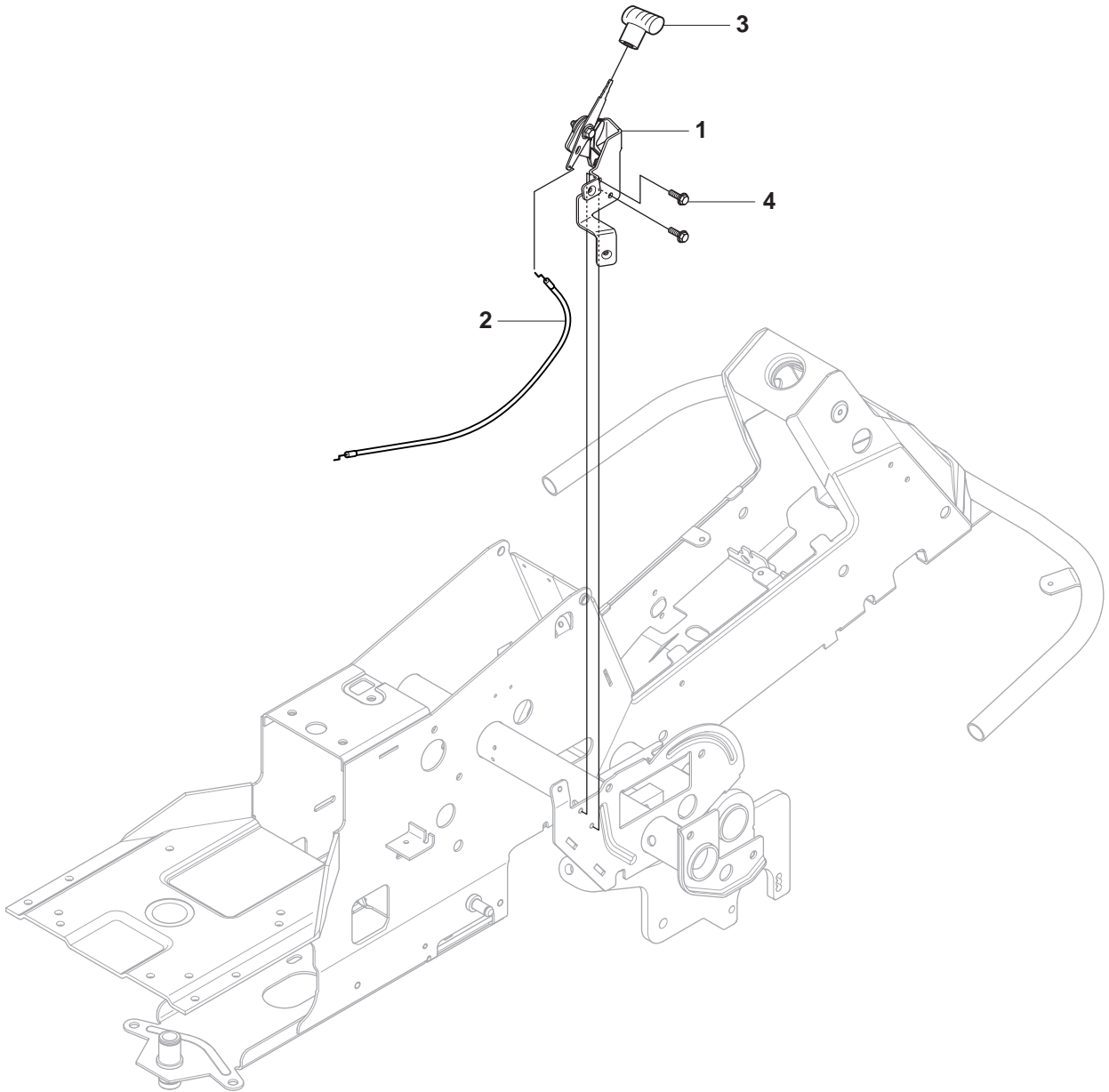
Pos.	Compl No.	Part No.	Description	Qty.	Notes
1		544 11 60-01		1	L1
2		725 24 67-51		1	L1
3		725 24 64-51		1	L1
4		535 42 38-03		1	L1
5		734 11 64-01		3	L1
6		732 21 18-01		3	L1
7		544 00 89-02		1	L1
8		544 00 90-02		1	L1
9		506 57 01-05		2	L1
10		734 11 64-01		2	L1
11		732 21 18-01		2	L1
12		535 42 65-07		2	L2
13		535 43 73-02		1	L2
14		544 80 78-01		1	L2
15		544 80 79-01		1	L2
16		544 80 80-01		1	L2
17		544 45 64-03		2	L2
18		522 42 98-02		1	L2
19		505 13 11-01		1	L2
20		544 02 66-01		1	L2
21		544 37 33-03		1	L1
22		535 43 85-01		1	L1
23		725 23 78-61		1	L1
24		544 37 33-02		1	L1
25		544 37 38-02		1	L1
26		506 57 01-07		1	L1
27		544 81 17-01		1	L1
28		535 49 97-01		1	L1
29		503 73 58-01		1	L1
30		544 43 52-01		1	L1
31		721 43 47-01		1	L1
33		535 49 28-02		1	L1
34		544 45 67-03		1	L1
35	544 45 67-03	535 48 66-02		1	L1
36	544 45 67-03	503 22 10-18		1	L1
37	544 45 67-03	535 48 65-03		1	L1
38	544 45 67-03	731 23 16-01		1	L1
39	544 45 67-03	535 48 66-01		1	L1
40		544 84 17-01		1	L1
41		725 23 70-71		1	L1
42		732 25 16-01		1	L1
43		535 49 74-01		1	L1
44		506 95 17-01		2	L1
45		535 47 52-12		2	L1
46		544 44 19-01		1	L1
47		732 25 16-01		1	L1
48		725 24 93-71		2	L1
49		725 23 66-51		2	L1
50		732 21 16-01		1	L1
51		505 45 11-01		2	L2

M FR2216 MA 4x4
STEERING



M FR2216 MA 4x4
STEERING

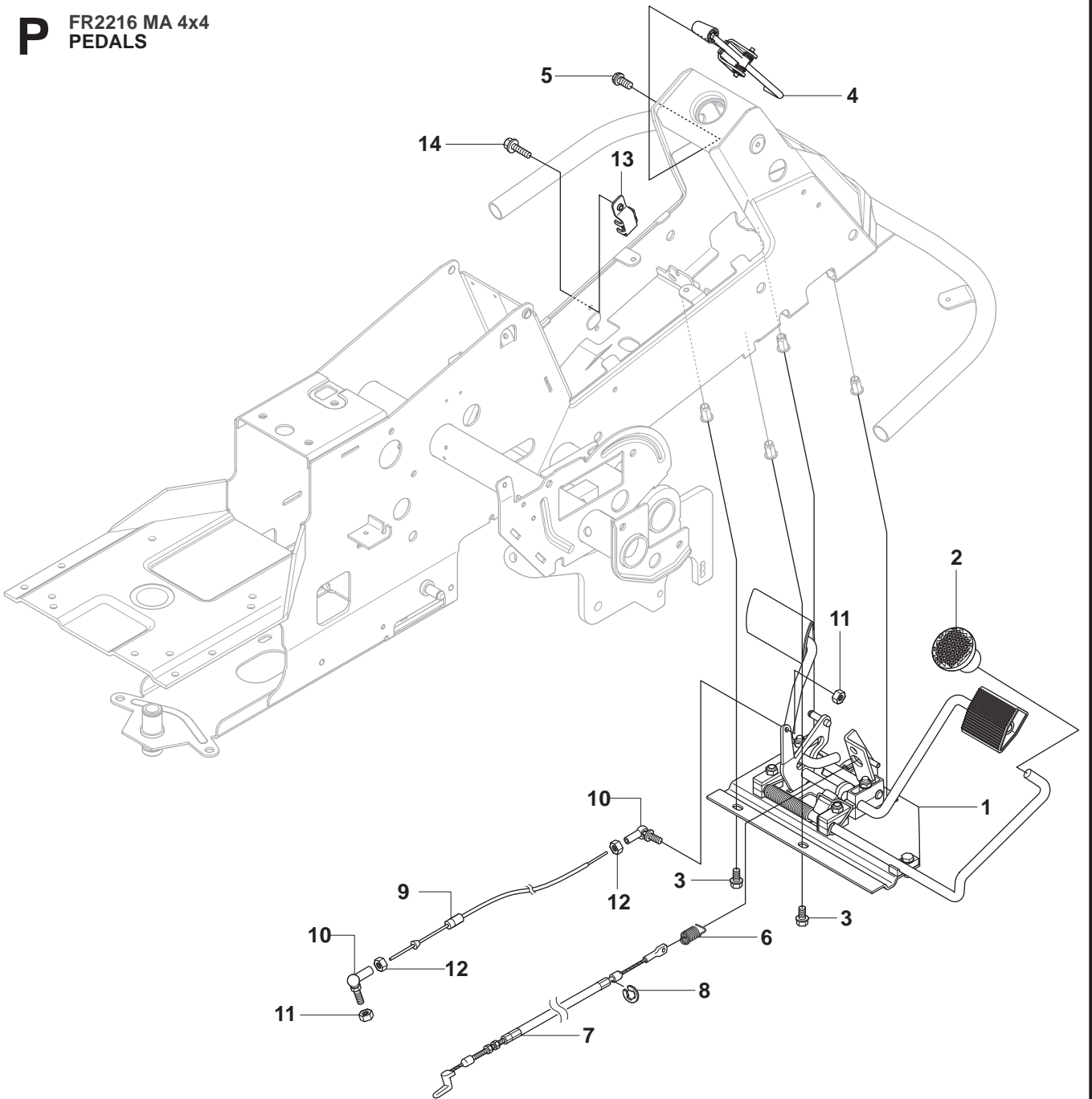
Pos.	Compl No.	Part No.	Description	Qty.	Notes
1		506 67 19-01		1	
2		506 57 63-01		1	
3		506 67 08-01		1	
4		506 59 74-01		1	
5		544 37 52-03		1	
6		728 74 55-05		1	
7		731 23 18-01		1	
8		535 49 95-01		1	
9		506 86 34-01		3	
10		728 84 43-05		3	
11		506 86 36-01		1	
12		506 88 78-01		1	
13		738 21 04-04		1	
14		506 57 01-04		1	
15		506 50 09-03		1	
16	506 50 09-03	535 42 41-01		1	
17	506 50 09-03	735 31 40-10		1	
18	506 50 09-03	738 22 04-19		1	
19	506 50 09-03	506 50 08-02		1	
20		506 67 54-03		1	
21		734 11 74-41		1	
22		506 58 91-04		2	
23		506 52 24-01		2	
24		506 53 94-02		1	
25		735 31 14-20		2	
26		506 55 46-01		1	
27		506 55 47-01		2	
28		544 42 73-01		1	
29		731 23 20-51		4	



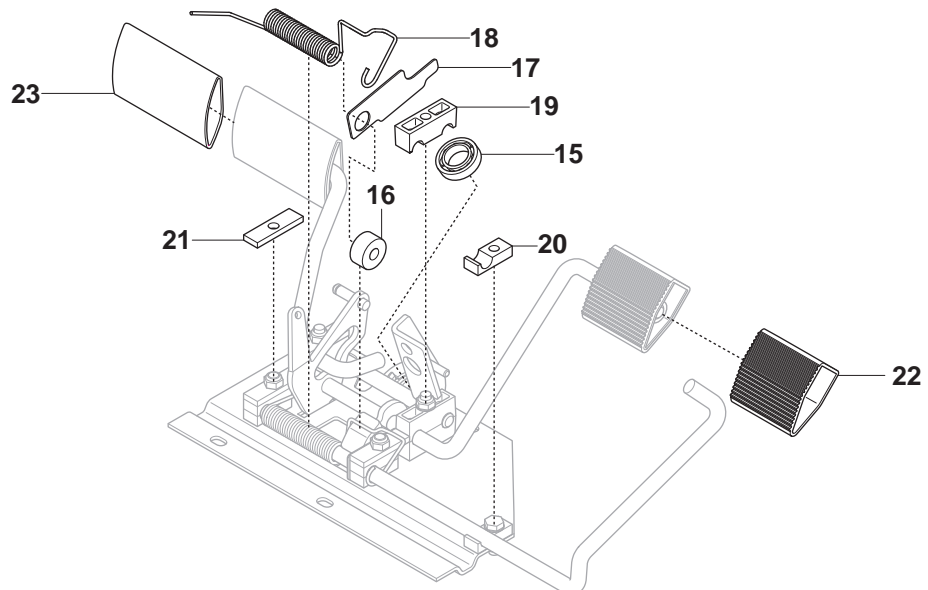
N FR2216 MA 4x4
CONTROLS

Pos.	Compl No.	Part No.	Description	Qty.	Notes
1		502 29 56-01		1	
2		544 30 17-01		1	
3		506 88 91-01		1	
4		725 23 64-61		2	

P FR2216 MA 4x4
PEDALS



PEDALS

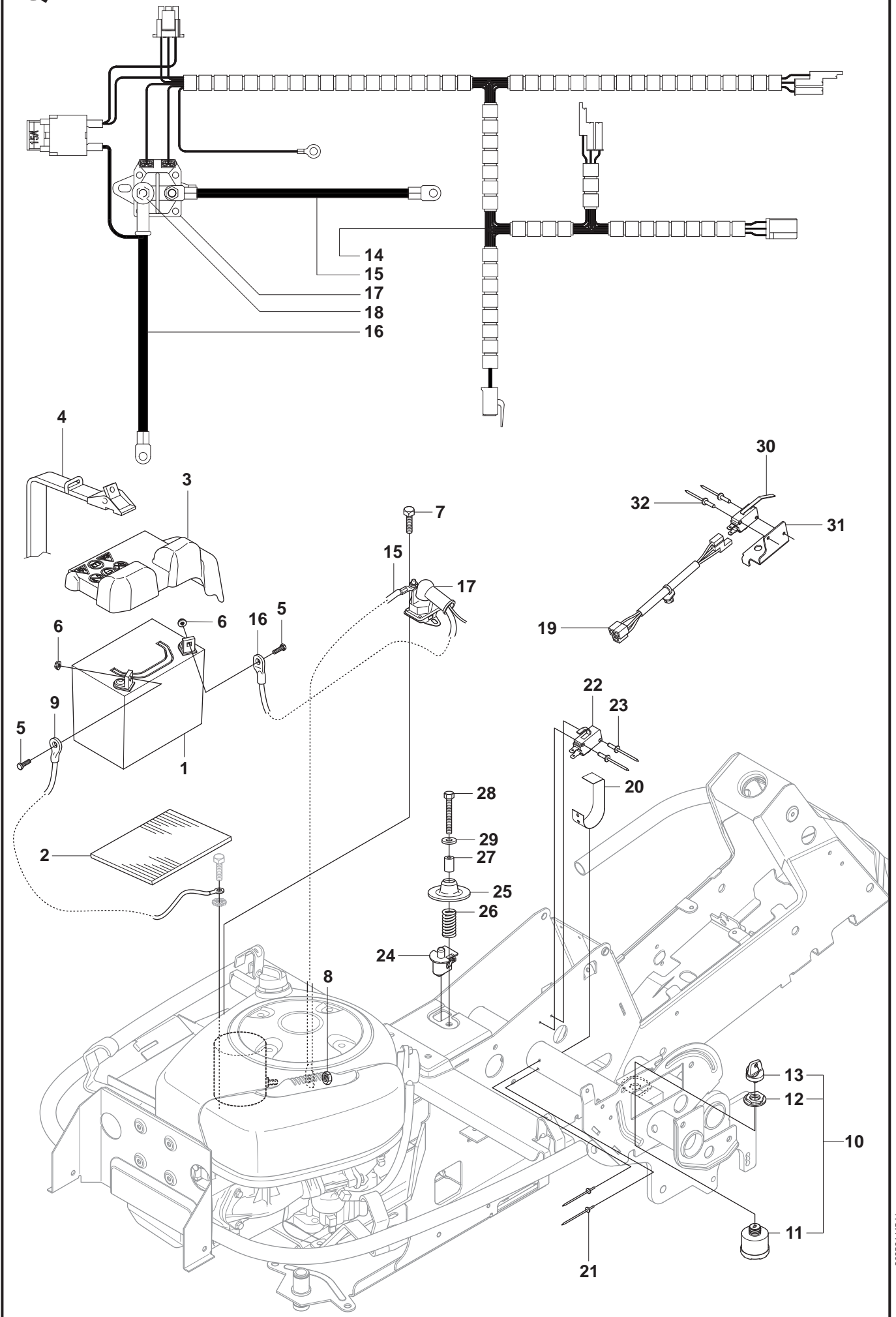




FR2216 MA 4x4
PEDALS

Pos.	Compl No.	Part No.	Description	Qty.	Notes
1		544 12 60-01		1	
2		535 47 37-01		1	
3		506 57 01-04		4	
4		544 40 31-01		1	
5		725 23 64-61		2	
6		506 94 63-01		1	
7		535 48 96-01		1	
8		735 31 09-20		1	
9		506 82 72-02		1	
10		506 55 73-01		2	
11		732 21 14-01		2	
12		731 23 14-01		2	
13		522 43 08-01		1	
14		725 23 64-61		1	
15	544 12 60-01	738 21 02-04		1	
16	544 12 60-01	535 48 02-01		1	
17	544 12 60-01	535 48 06-01		1	
18	544 12 60-01	535 48 07-01		1	
19	544 12 60-01	535 48 08-01		4	
20	544 12 60-01	535 48 09-01		1	
21	544 12 60-01	535 48 10-01		1	
22	544 12 60-01	535 47 88-01		1	
23	544 12 60-01	535 47 88-02		1	

Q FR2216 MA 4x4
ELECTRICAL

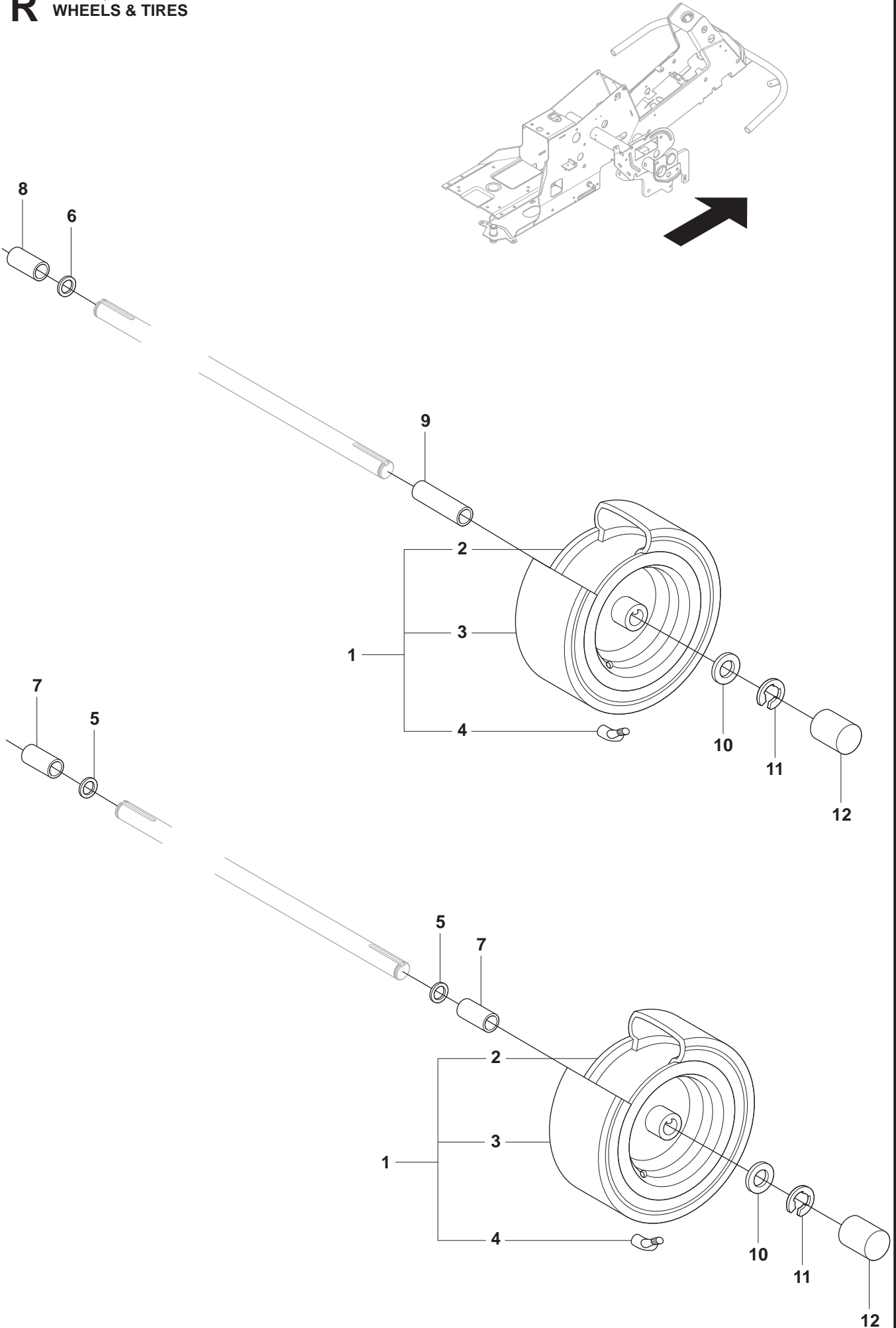




FR2216 MA 4x4
ELECTRICAL

Pos.	Compl No.	Part No.	Description	Qty.	Notes
1		510 13 85-01		1	
2		535 44 11-01		1	
3		510 02 69-01		1	
4		506 83 68-02		1	
5		522 62 21-01		2	
6		522 62 43-01		2	
7		725 23 64-61		1	
8		506 89 98-01		1	
9		544 96 76-03		1	
10		544 44 21-01		1	
11	544 44 21-01	544 44 22-01		1	
12	544 44 21-01	544 44 23-01		1	
13	544 44 21-01	544 44 24-01		1	
14		544 92 63-01		1	
15		544 92 86-01		1	
16		544 92 61-04		1	
17		544 43 98-01		1	
18		506 89 98-01		2	
19		544 89 22-01		1	
20		506 90 93-01		1	
21		722 78 39-02		2	
22		535 46 91-01		1	
23		544 44 07-01		2	
24		506 90 96-01		1	
25		506 90 97-01		1	
26		544 44 12-01		1	
27		506 90 99-02		1	
28		725 24 60-51		1	
29		734 11 64-01		1	
30		544 41 55-01		1	
31		544 41 57-01		1	
32		544 44 07-01		2	

R FR2216 MA 4x4
WHEELS & TIRES

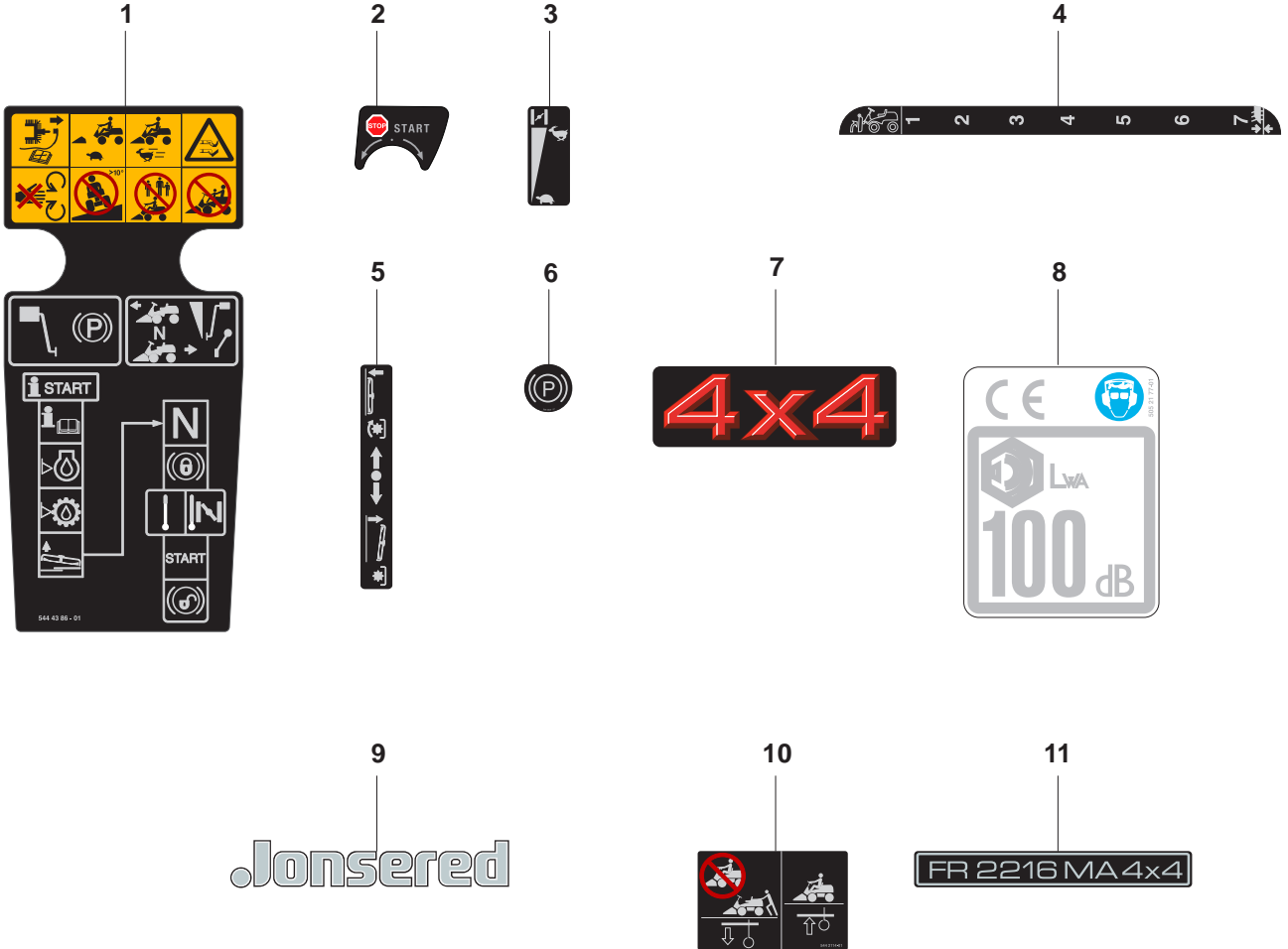




FR2216 MA 4x4
WHEELS & TIRES

Pos.	Compl No.	Part No.	Description	Qty.	Notes
1		544 12 63-02		4	
2	544 12 63-01	544 11 42-01		1	
3	544 12 63-01	506 98 02-01		1	
4	544 12 63-01	506 57 43-01		1	
5		506 50 48-03		2	
6		506 94 58-01		1	
7		506 59 62-03		2	
8		544 13 26-01		1	
9		544 13 26-02		1	
10		506 50 48-05		4	
11		506 89 90-01		4	
12		506 92 30-01		4	

S FR2216 MA 4x4
DECALS

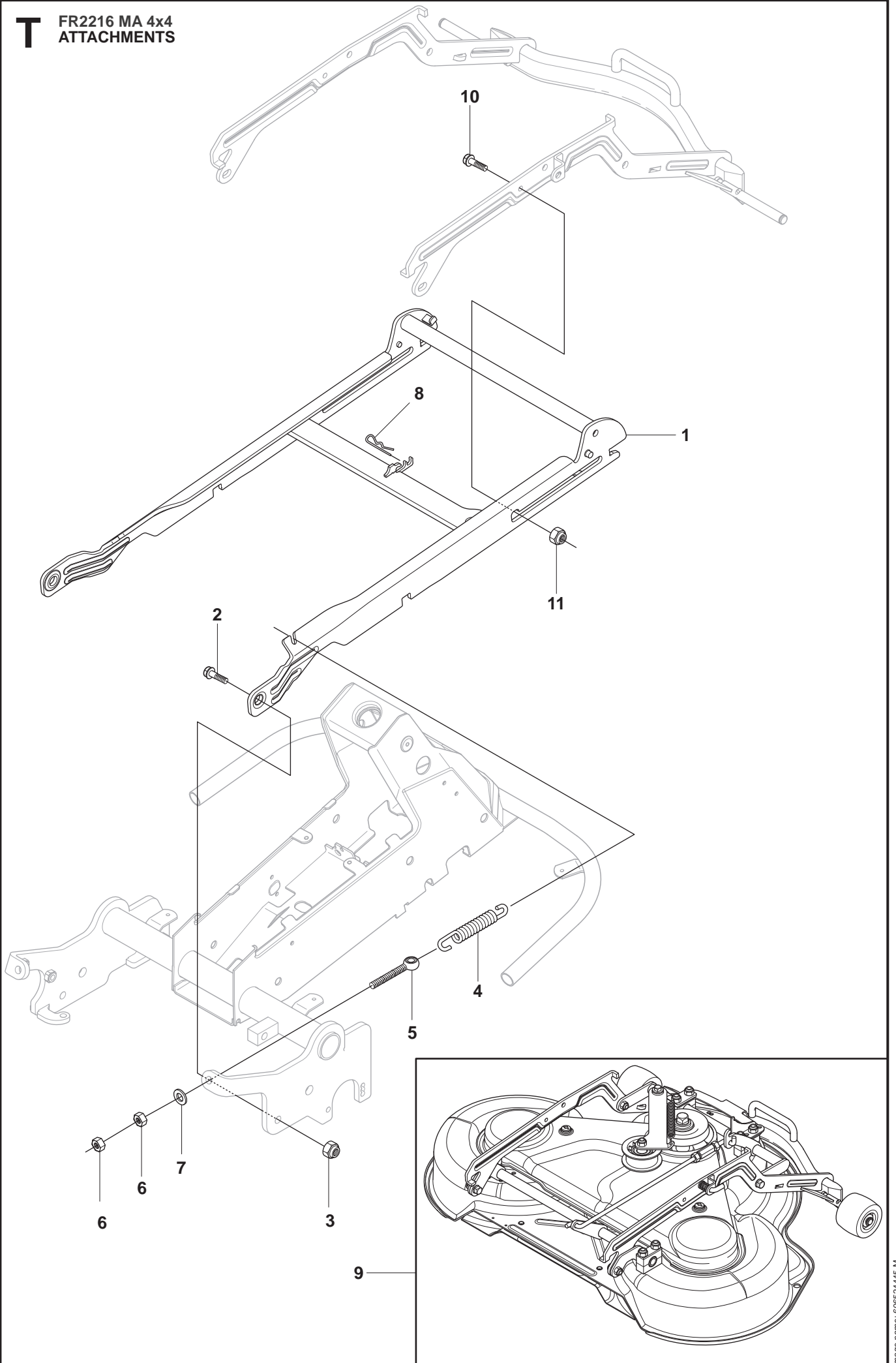




FR2216 MA 4x4
DECALS

Pos.	Compl No.	Part No.	Description	Qty.	Notes
1		544 43 86-01		1	
2		502 29 14-01		1	
3		544 43 88-02		1	
4		544 43 90-03		1	
5		544 43 92-02		1	
6		506 58 45-01		1	
7		501 00 27-01		2	
8		505 21 77-01		1	
9		535 43 47-01		3	
10		544 21 14-01		2	
11		502 29 26-01		1	

T FR2216 MA 4x4
ATTACHMENTS

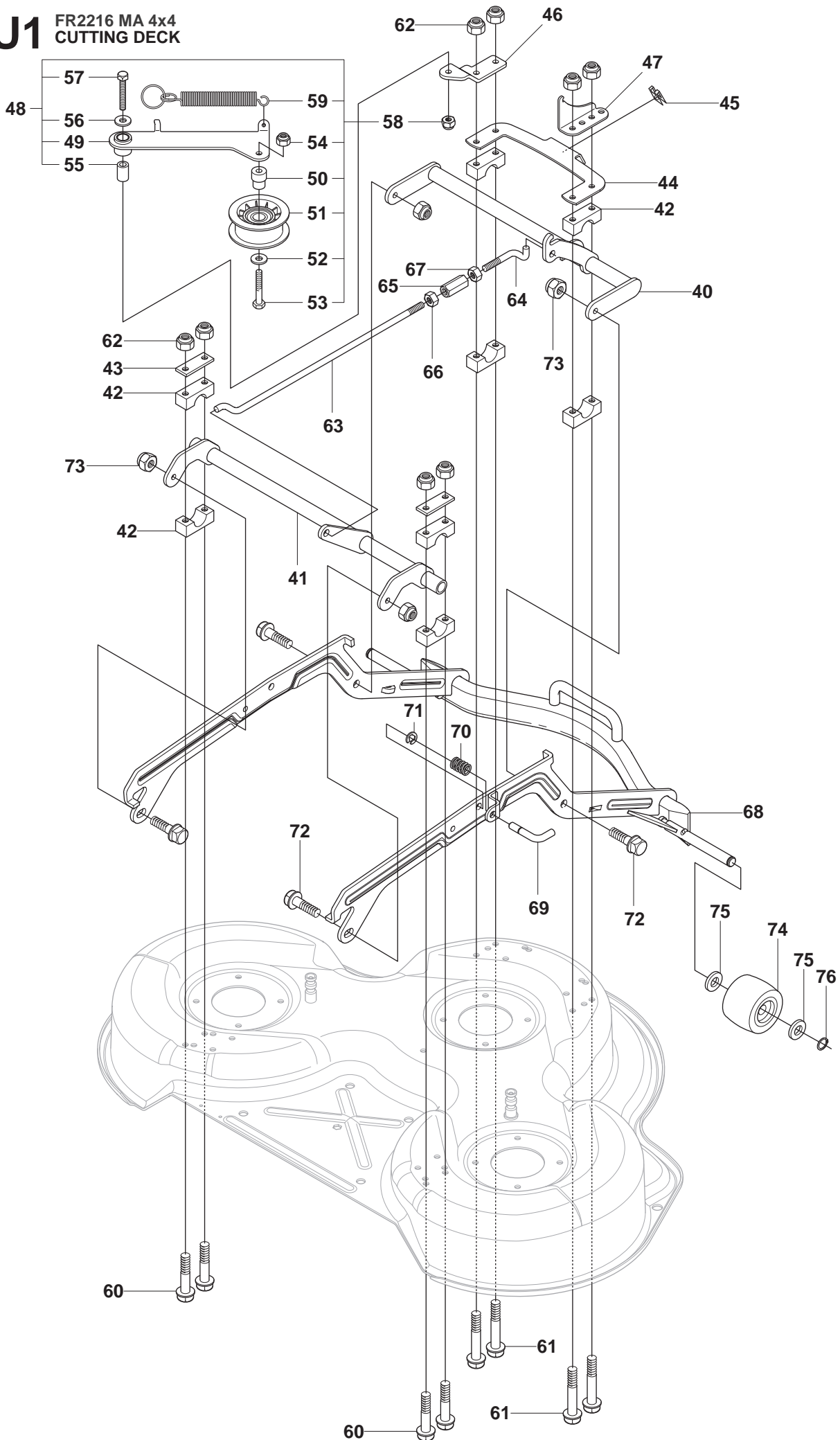




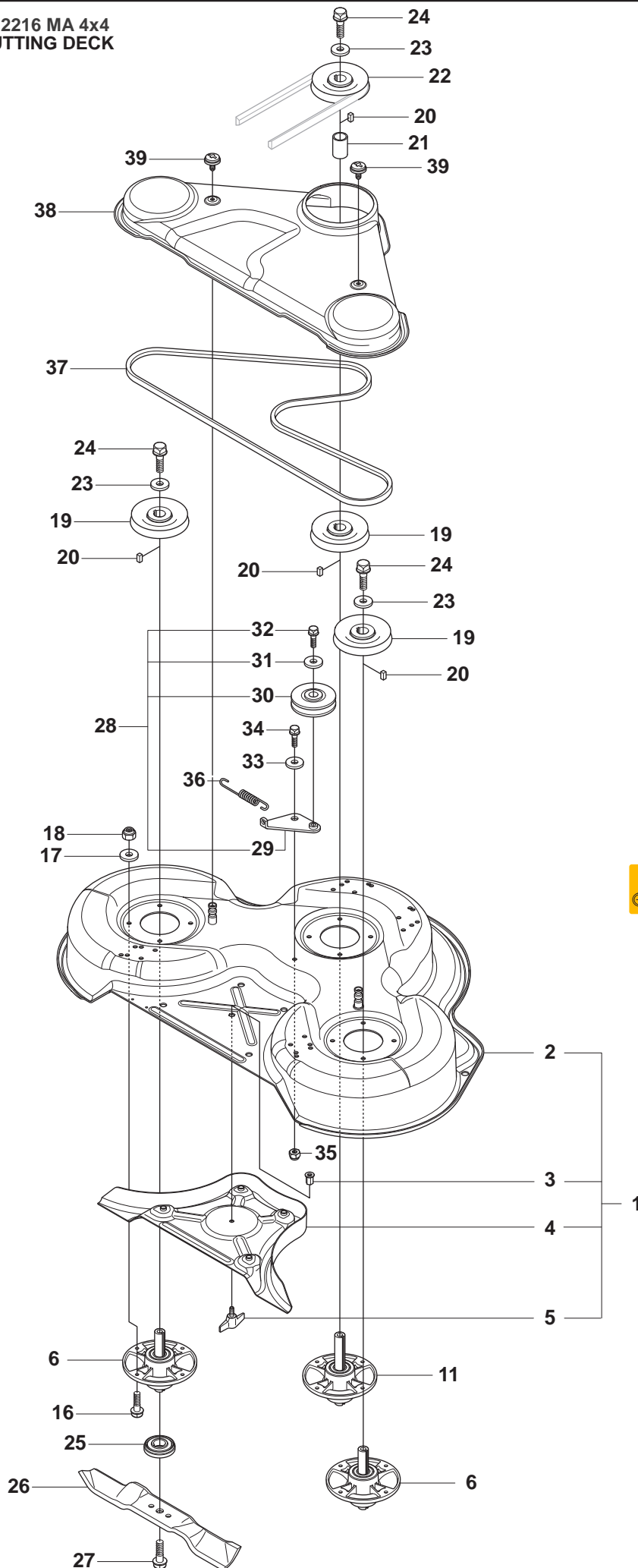
**FR2216 MA 4x4
ATTACHMENTS**

Pos.	Compl No.	Part No.	Description	Qty.	Notes
1		544 40 11-02		1	
2		506 89 58-01		2	
3		732 25 22-01		2	
4		506 83 76-01		2	
5		506 83 77-01		2	
6		731 23 20-51		4	
7		734 11 72-01		2	
8		721 68 02-51		1	
9		544 43 79-04		1	
10		544 36 24-01		2	
11		732 21 18-01		2	

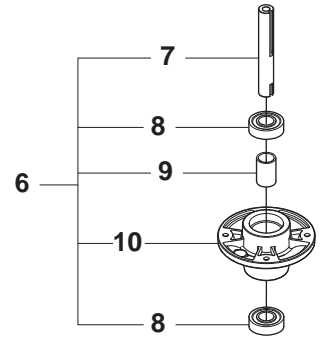
U1 FR2216 MA 4x4 CUTTING DECK



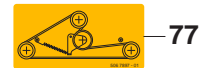
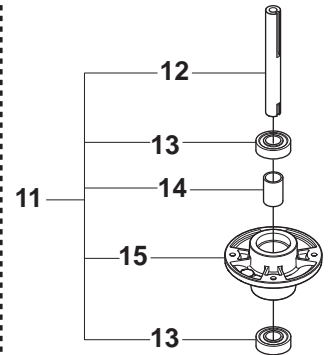
U2 FR2216 MA 4x4
CUTTING DECK



Yttre.
Outer.
Exterieur.
Äusser.
Ulko.



Mitten.
Centre.
Centre.
Zentrum.
Keski.



U FR2216 MA 4x4
CUTTING DECK

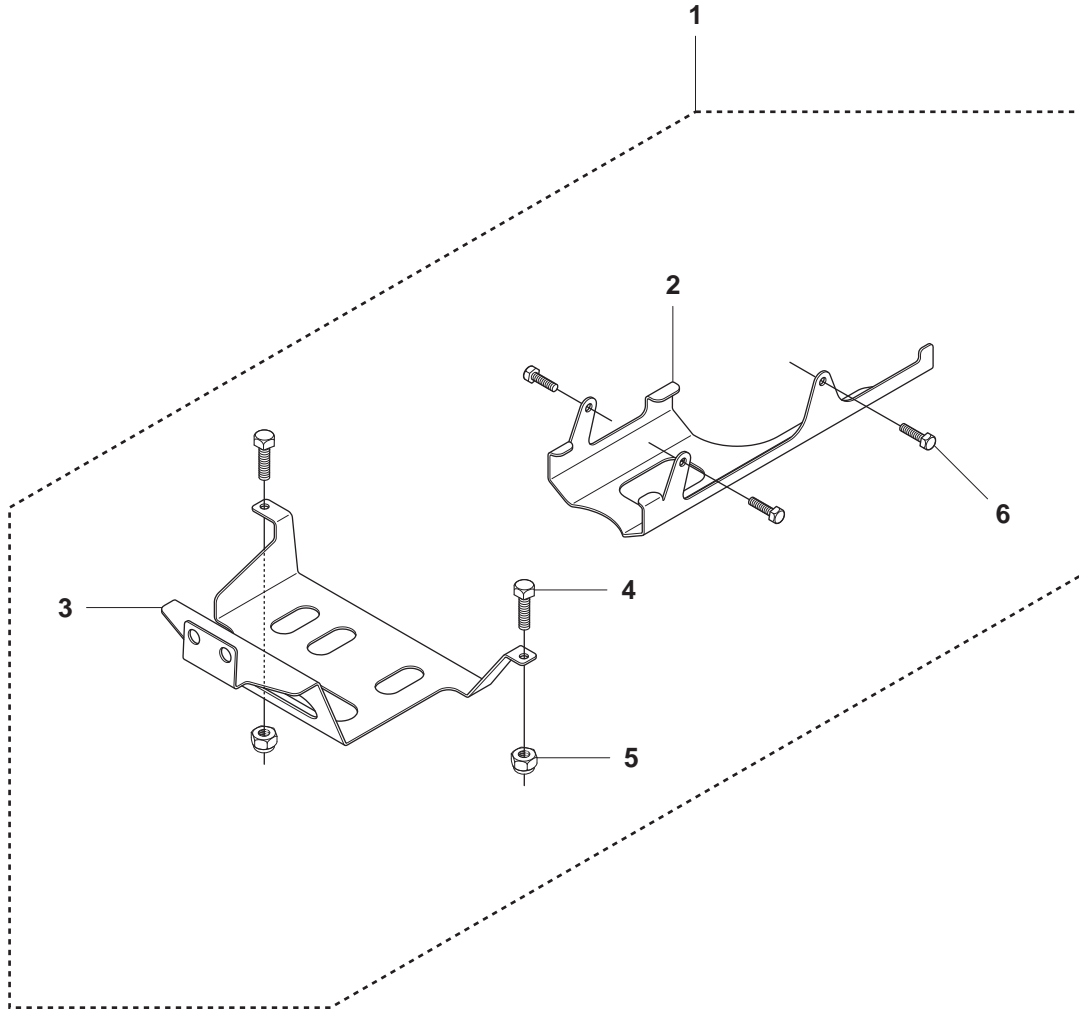
Pos.	Compl No.	Part No.	Description	Qty.	Notes
1		544 06 57-05		1	U2
2	544 06 57-05	544 06 55-07		1	U2
3	544 06 57-05	506 91 62-01		1	U2
4	544 06 57-05	544 06 58-01		1	U2
5	544 06 57-05	544 06 61-01		1	U2
6		544 06 59-01		2	U2
7	544 06 59-01	544 06 79-02		1	U2
8	544 06 59-01	738 23 04-34		2	U2
9	544 06 59-01	544 06 80-01		1	U2
10	544 06 59-01	544 06 78-01		1	U2
11		544 06 59-03		1	U2
12	544 06 59-03	544 06 79-03		1	U2
13	544 06 59-03	738 23 04-34		2	U2
14	544 06 59-03	544 06 80-01		1	U2
15	544 06 59-03	544 06 78-01		1	U2
16		535 42 38-01		12	U2
17		734 11 64-01		12	U2
18		732 21 18-01		12	U2
19		506 92 21-01		3	U2
20		506 53 35-01		4	U2
21		544 06 80-03		1	U2
22		506 77 86-01		1	U2
23		734 11 74-41		3	U2
24		506 67 54-02		3	U2
25		544 06 49-01		3	U2
26		505 54 45-01		3	U2
27		506 67 54-02		3	U2
28		506 79 73-01		1	U2
29	506 79 73-01	506 79 71-01		1	U2
30	506 79 73-01	506 79 32-01		1	U2
31	506 79 73-01	734 11 64-41		1	U2
32	506 79 73-01	506 55 83-02		1	U2
33		506 91 87-02		1	U2
34		725 24 51-71		1	U2
35		732 21 18-01		1	U2
36		506 53 31-01		1	U2
37		544 06 81-01		1	U2
38		522 82 19-02		1	U2
39		544 40 05-01		2	U2
40		544 22 07-02		1	U1
41		544 22 59-02		1	U1
42		506 86 96-01		8	U1
43		506 81 38-01		2	U1
44		544 37 91-01		1	U1
45		506 96 37-01		1	U1
46		544 40 51-01		1	U1
47		544 40 52-01		1	U1
48		544 83 56-01		1	U1
49	544 83 56-01	544 83 66-01		1	U1
50	544 83 56-01	506 97 64-02		1	U1
51	544 83 56-01	506 79 32-02		1	U1
52	544 83 56-01	734 11 64-41		1	U1
53	544 83 56-01	725 24 59-51		1	U1
54	544 83 56-01	732 21 18-01		1	U1
55	544 83 56-01	506 99 20-01		1	U1
56	544 83 56-01	734 11 64-41		1	U1
57	544 83 56-01	725 24 60-51		1	U1
58	544 83 56-01	732 21 18-01		1	U1
59	544 83 56-01	506 97 68-01		1	U1
60		725 24 61-51		4	U1
61		725 24 62-51		4	U1
62		732 21 18-01		8	U1
63		544 22 69-01		1	U1
64		544 45 14-01		1	U1

Image name: 606524445 M



FR2216 MA 4x4
CUTTING DECK

Pos.	Compl No.	Part No.	Description	Qty.	Notes
65		544 45 15-01		1	U1
66		506 89 76-01		1	U1
67		731 23 20-51		1	U1
68		544 21 33-02		1	U1
69		544 21 39-01		1	U1
70		544 21 41-01		1	U1
71		735 31 13-20		1	U1
72		506 59 74-01		4	U1
73		732 21 18-01		4	U1
74		506 96 30-01		2	U1
75		535 46 41-01		4	U1
76		735 31 17-00		2	U1
77		506 78 97-01		1	U2





**FR2216 MA 4x4
ACCESSORIES**

Pos.	Compl No.	Part No.	Description	Qty.	Notes
1		544 06 93-04		1	
2	544 06 93-04	504 04 62-01		1	
3	544 06 93-04	544 14 33-01		1	
4	544 06 93-04	725 24 63-71		2	
5	544 06 93-04	732 21 18-01		2	
6	544 06 93-04	725 24 49-61		3	

Free Manuals Download Website

<http://myh66.com>

<http://usermanuals.us>

<http://www.somanuals.com>

<http://www.4manuals.cc>

<http://www.manual-lib.com>

<http://www.404manual.com>

<http://www.luxmanual.com>

<http://aubethermostatmanual.com>

Golf course search by state

<http://golfingnear.com>

Email search by domain

<http://emailbydomain.com>

Auto manuals search

<http://auto.somanuals.com>

TV manuals search

<http://tv.somanuals.com>