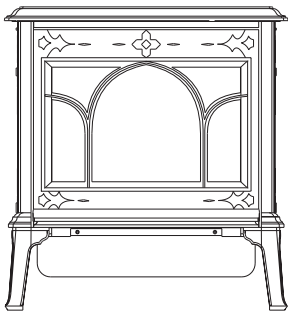




Jøtul GF 100 DV Nordic QT Gas Heater



Installation and Operation Instructions



WARNING:

IF THE INFORMATION IN THESE INSTRUCTIONS ARE NOT FOLLOWED EXACTLY, A FIRE OR EXPLOSION MAY RESULT CAUSING PROPERTY DAMAGE, PERSONAL INJURY OR LOSS OF LIFE.

FOR YOUR SAFETY:

DO NOT STORE OR USE GASOLINE OR OTHER FLAMMABLE VAPORS AND LIQUIDS IN THE VICINITY OF THIS OR ANY OTHER APPLIANCE.

INSTALLATION:

INSTALLATION AND SERVICE MUST BE PERFORMED BY A QUALIFIED INSTALLER, SERVICE AGENCY OR LICENSED GAS SUPPLIER.

WHAT TO DO IF YOU SMELL GAS:

- **DO NOT TRY TO LIGHT ANY APPLIANCE.**
- **DO NOT TOUCH ANY ELECTRICAL SWITCHES.**
- **DO NOT USE THE PHONE IN YOUR BUILDING. IMMEDIATELY CALL YOUR GAS SUPPLIER FROM A NEIGHBOR'S PHONE.**
- **FOLLOW YOUR GAS SUPPLIER'S INSTRUCTIONS.**
- **IF YOU CANNOT REACH YOUR GAS SUPPLIER, CALL THE FIRE DEPARTMENT.**

AVERTISSEMENT:

ASSUREZ-VOUS DE BIEN SUIVRE LES INSTRUCTIONS DANS CETTE NOTICE POUR REDUIRE AU MINIMUM LE RISQUE D'INCENDIE OU POUR EVITER TOUT DOMMAGE MATERIEL, TOUTE BLESSURE OU MORTALIT'E.

NE PAS ENTREPOSER NI UTILISER D'ESSENCE NI OU LIQUIDES INFLAMMABLES DANS LE VOISINAGE DE CET APPAREIL OU DE TOUT AUTRE APPAREIL.

L'INSTALLATION LE SERVICE DOIVENT ETRE EXECUTES PAR UN INSTALLATEUR QUALIFIE, AGENCE DE SERVICE OU LE FOURNISSEUR DE GAZ.

QUE FAIRE SI VOUS SENTEZ UNE ODEUR DE GAZ.

- **NE PAS TENTER D'ALLUMER L'APPAREIL**
- **NE TOUCHEZ A AUCUN INTERRUPTEUR.**
- **NE PAS VOUS SERVIR DES TELEPHONES SE TROUVANT DANS LE BATIMENT OU VOUS VOUS TROUVEZ.**
- **APPELEZ IMMEDIATEMENT VOTRE FOURNISSEUR DE GAZ CHEZ UN VOISIN. SUIVEZ LES INSTRUCTIONS DU FOURNISSEUR.**
- **SI VOUS NE POUVEZ REJOINDRE LE FOURNISSEUR DE GAZ, APPELEZ LE SERVICE DES INCENDIES.**

Welcome to Jøtul...

Congratulations on the purchase of your new Jøtul GF100 DV Nordic QT Gas Heater.

We at Jøtul are glad you've made the decision to warm your hearth with a Jøtul product. Your new stove exemplifies over 150 years experience as the world's largest manufacturer of solid fuel burning appliances. We've been making fine quality cast iron wood and coal stoves and fireplaces continuously since 1853.

In the Nordic QT, we've combined advanced gas technology with the warm, traditional elements of cast iron. With proper use and care, your Jøtul stove will provide you with many years of safe, dependable and satisfying service.

The Jøtul GF100 DV Nordic QT is a direct vented gas heater designed and approved for installation into a variety of configurations where close clearance to combustible material is required. Please take a few minutes to familiarize yourself with this manual and the features of your new Jøtul stove.



Table of Contents

Service Tools	3
Specifications	4
General Information	5
Safety Information	6
Installation Requirements	
Location	6
Hearth Protection	6
Clearances	7
Mantel & Trim	7
Alcove	7
Vent Requirements	
Adding Restriction	8
Vent Termination	9
Horizontal Termination	10
Vent Terminal Clearances	12
Mobile Home Installation	13
Fuel Conversion	13
Gas Connection	15
Gas Pressure	16
High Altitude Adjustment	16
Air Shutter Adjustment	17
Wall Thermostat	18
Remote Control	18
Log Set Installation	18
System Check	19
Operation	20
Maintenance	20
Glass Replacement	21
Illustrated Parts Breakdown	22
Replacement Parts List	23
Lighting Instructions	Back Cover

**THIS PRODUCT MUST BE INSTALLED BY
A LICENSED PLUMBER OR GAS-FITTER
WHEN INSTALLED IN THE COMMON-
WEALTH OF MASSACHUSETTS.**

Jøtul GF100 DV Nordic QT Direct Vent Gas Heater

Manufactured and Distributed by:
Jøtul A.S.A.
Fredrikstad, Norway
Jøtul North America
Portland, Maine

Test Standards

This appliance complies with National Safety standards and is tested and listed by Intertek Testing Services of Middleton, Wisconsin to ANSI Z21.88-2002 • CSA 2.33-M02 and CSA P.4.-01.2 for Canada.



DO NOT ATTEMPT TO ALTER OR MODIFY THE CONSTRUCTION OF THE APPLIANCE OR ITS COMPONENTS. ANY MODIFICATION OR ALTERATION WILL VOID THE WARRANTY, CERTIFICATION AND LISTING OF THIS APPLIANCE.



www.nficertified.org

We at Jøtul North America are dedicated to manufacturing the finest quality hearth products you can be assured will give you many years of safe, dependable service.

To ensure your confidence, we recommend that whenever possible, our products be installed and serviced by professionals who are certified by the National Fireplace Institute (NFI) or, in Canada, by Wood Energy Technical Training (WETT).



GF 100 DV Nordic QT Specifications

Input Rates

Natural Gas

14,500 BTU/hr. maximum input
10,600 BTU/hr. minimum input

Propane

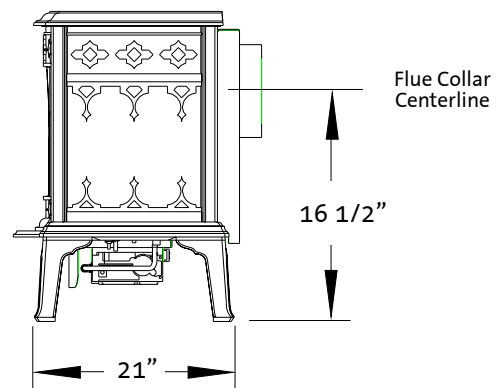
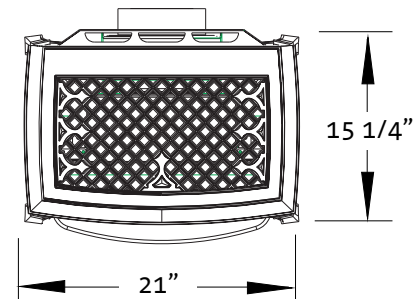
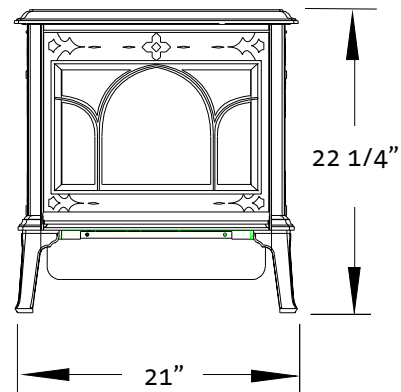
14,000 BTU/hr. maximum input
10,900 BTU/hr. minimum input

Inlet Pressure:	<u>MIN</u>	<u>MAX</u>
Natural Gas:	5.0 WC (1.24 kPa)	7.0 WC (1.74 kPa)
Propane:	11.0 WC (2.74 kPa)	13.0 WC (3.23 kPa)

Manifold Pressure:	<u>MIN</u>	<u>MAX</u>
Natural Gas:	2.2 WC (.55 kPa)	3.5 WC (.85 kPa)
Propane:	6.5 WC (1.59 kPa)	10.0 WC (2.49 kPa)

Piezo Ignitor / Standing Pilot

Weight: 150 lbs.



Suggested Tools for Installation and Service

- External regulator (for Propane only)
- Piping which complies with local code
- Manual shutoff valve (**T-Handle in Massachusetts**)
- Sediment trap - if required by code
- Tee joint
- Pipe wrench
- Pipe sealant
- 10 mm open end wrench
- 1/2", 7/16" open end wrench or deep socket
- Phillips head screwdriver
- Flat head screwdriver
- 1/4" nut driver
- 4 mm allen wrench
- Gloves
- Safety glasses
- Torx T20 screwdriver
- Leak test solution
- Reciprocating Saw
- Power Drill

Hardware Bag Contents

- Fuel Conversion Kit - LP 154379
- Exhaust Restrictor Plate 12934492
- Wall Shield 12948792
- Ember Bag , 6 oz. 129123

General Information

- THIS HEATER MUST BE INSTALLED AND MAINTAINED BY A QUALIFIED SERVICE AGENCY.
- The installation and repair of this appliance must be done by a qualified service person. Failure to properly install and maintain this heater could result in an unsafe or hazardous installation, which may result in a fire, explosion, property damage, personal injury or loss of life.
- This appliance should be inspected before use and at least annually. More frequent cleaning may be required due to excessive lint from carpeting, bedding material, etc. It is imperative that control compartments, burners, and circulating air passageways of the appliance be kept clean.
- THIS APPLIANCE MUST NOT BE CONNECTED TO A CHIMNEY OR FLUE SERVING ANY OTHER APPLIANCE.
- The installation must conform to local codes. Your local Jøtul dealer can assist you in determining what is required in your area for a safe and legal installation. Some areas require a permit to install a gas burning appliance. Always consult your local building inspector, or authority having jurisdiction, to determine what regulations apply in your area.
- REMEMBER: Your local officials have final authority in determining if a proposed installation is acceptable. Any requirement that is requested by the local authority having jurisdiction, that is not specifically addressed in THIS manual, defaults to local code. In the absence of local codes, the installation requirements must comply with the current National codes. In the U.S., these requirements are established in the National Fuel Code, ANSI Z223.1.(NFPA 54). In Canada, the codes have been established in CAN/CGA B149 Fuel Installation Code.
- Installer l'appareil selon les codes ou reglements locaux, ou, en l'absence de tels reglements, selon les Codes d'installation CAN/CGA-B149.
- DO NOT OPERATE THIS STOVE IF ANY PART HAS BEEN UNDER WATER. Call a qualified service technician to inspect the heater and to replace any part of the control system and any gas control which may have been under water.
- Ne pas se servir de cet appareil s'il a ete' plonge dans l'eau, completement ou en partie. Appeler un technicien qualifie pour inspecter l'appareil et remplacer toute partie du syste'me de controle et toute commande qui ont ete plonges dans l'eau.

Glass Front

Do not operate the Nordic QT gas stove with the glass front removed, cracked, or broken. Replacement of the glass should be done by a licensed or qualified service person. Only remove glass for routine service. Always handle glass carefully.

THIS FIREPLACE IS SHIPPED FROM THE FACTORY FOR USE WITH NATURAL GAS ONLY. IF USE WITH PROPANE IS DESIRED, THE APPLIANCE MUST FIRST BE CONVERTED USING THE FUEL CONVERSION KIT PROVIDED, #154379. CONVERSION SHOULD BE MADE BEFORE THE APPLIANCE IS INSTALLED.

Safety Information

During normal operation, the Nordic QT gas stove will reach high surface temperatures. Therefore:

- Due to the high operating temperatures, this appliance should be located out of traffic areas and away from furniture and draperies.
- Children and adults should be alerted to the hazards of high surface temperatures and should stay away to avoid burns and/or clothing ignition.
- Young children should be supervised while they are in the same room as the Nordic QT gas stove.
- Clothing or other flammable materials should not be placed ON or NEAR the Nordic QT gas stove. Surveiller les enfants. Garder les vêtements, les meubles, l'essence ou autres liquides à vapeur inflammables loin de l'appareil.
- NEVER store or use gasoline or any other flammable vapors or liquids in the vicinity of the Nordic QT gas stove.
- Never burn any other materials in your Nordic QT gas stove, it is strictly designed for use with natural gas or propane fuel ONLY.
- Any safety screen, glass or guard removed for servicing the appliance must be replaced prior to operating the appliance.

Location

In selecting a location for the stove, consider the following points:

- 1) Heat distribution
- 2) Vent termination requirements
- 3) Gas supply line routing
- 4) Traffic areas, furniture, draperies, etc.

The GF100 Nordic QT may be located on or near conventional construction materials, however, proper clearance to combustibles must be maintained in order to provide adequate air circulation around the appliance. Also, it is important to provide adequate access around the stove for servicing and proper operation.

The clearance and hearth specifications listed in this manual are the minimum requirements for combustible material. A combustible material is anything that can burn (i.e. sheet rock, wall paper, wood, fabrics etc.). These surfaces are not limited to those that are visible and also include materials that may be located behind non-combustibles.

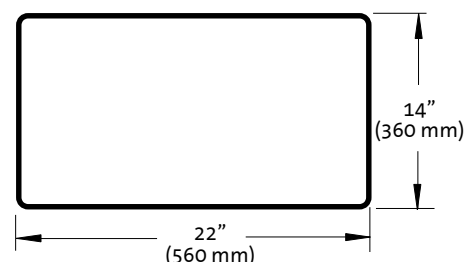
If you are not sure of the combustible nature of a material, consult your local fire officials. Remember, "Fire Resistant" materials are considered combustible: they are difficult to ignite, but will burn. Also, "fire-rated" sheet rock is considered combustible.

Hearth Requirements

The Nordic QT gas stove CANNOT be installed directly on carpeting, vinyl, linoleum or Pergo®.

If this appliance will be installed on any combustible material OTHER THAN WOOD, a floor pad must be installed that is either metal or wood, or a listed hearth pad. This floor protection must extend the full width and depth of the appliance. It is not necessary to remove carpeting, vinyl or linoleum from underneath the floor protection. See fig. 1.

Figure 1. Minimum Hearth Protection.



Stove and Vent Clearance Requirements

Minimum Clearances from the Stove to Combustibles:

See figs. 2-4.

- Rear: 0" (0 mm)
- Ceiling: 25" (635 mm)
- Corner: 2" (50 mm)
- Right Side: 3" (76 mm)
- Left Side: 10" (254 mm) - for access to Lighting Instruction plate

Minimum Clearances from the Vent Pipe to Combustibles:

Horizontal Run:

- Off the top of the pipe 2" (50 mm)
- Off the sides and bottom 1" (25 mm)

Vertical Run:

- All sides 1" (25 mm)

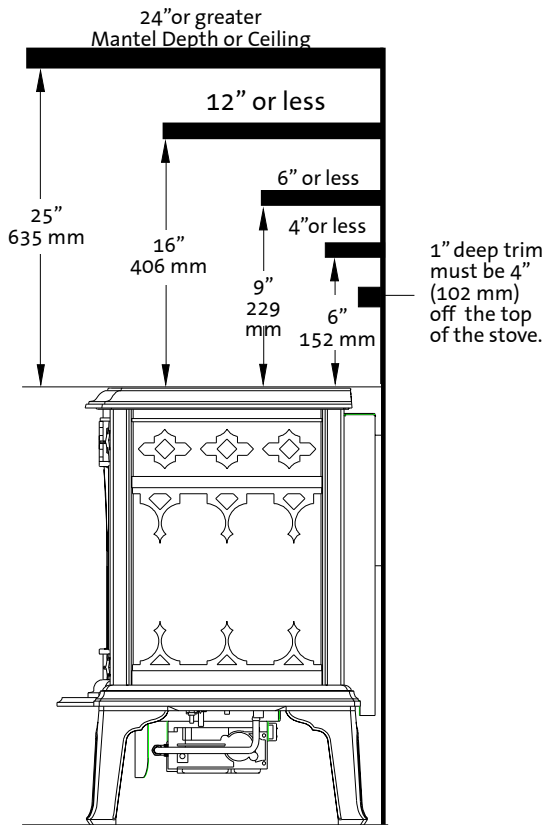
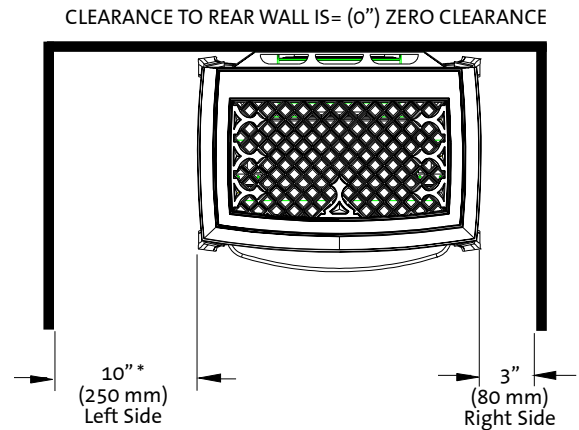


Figure 2. Mantel and Trim Clearance specifications.



* Allow 10" on left side of the appliance for complete access to the lighting instructions and control valve.

Figure 3. Parallel Installation Clearances.

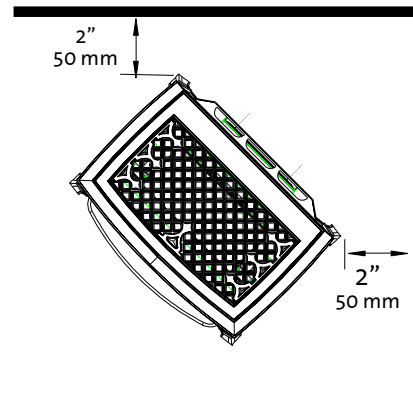


Figure 4. Corner Clearances.

Alcove Installation

- Maximum Alcove Depth: 24" (610 mm)
- Minimum Alcove Width: 34" (864 mm)
- Minimum Ceiling Height: 47" (1094 mm)

Venting Requirements

The Jøtul GF100 Nordic QT gas stove may be installed with a vertical or horizontal termination and must conform to the configuration requirements described below.

This appliance is approved for use with vent systems from the following manufacturers:

- **Simpson Dura-Vent GS**
- **Selkirk Metalbestos**
- **Security Vent Ltd.**
- **Amerivent Corporation**

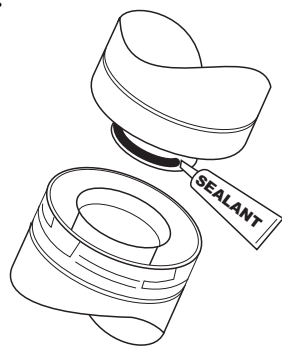
Use parts of one manufacturer only - DO NOT MIX VENT COMPONENTS FROM DIFFERENT MANUFACTURERS IN THE SAME SYSTEM.

Installation of any components not manufactured or approved by Jøtul or failure to meet all clearance requirements will void all warranties and could result in property damage, bodily injury, or serious fire.

The approved vent configurations described in this manual are derived from extensive testing under controlled laboratory conditions. Gas appliance performance can be negatively affected by variables present in the installation environment, i.e: atmospheric pressure, strong prevailing winds, adjacent structures and trees, snow accumulation, etc. These conditions should be taken into consideration by the installer and stove owner when planning the vent system design.

IMPORTANT

- **JOINT SEALING REQUIREMENT:**
APPLY A 1/8" BEAD OF HIGH-TEMPERATURE (750°F) SEALANT TO THE MALE SECTION OF THE INNER VENT PIPE. THE CEMENT SHOULD FORM A SEAL BETWEEN THE INNER AND OUTER PIPES.
- NEVER MODIFY ANY VENTING COMPONENT, OR USE ANY DAMAGED VENTING PRODUCT.
- THE GAS APPLIANCE AND VENT SYSTEM MUST BE VENTED DIRECTLY TO THE OUTSIDE OF THE BUILDING AND NEVER ATTACHED TO A CHIMNEY SERVING A SOLID FUEL OR GAS BURNING APPLIANCE. EACH DIRECT VENT GAS APPLIANCE MUST HAVE ITS OWN SEPARATE VENT SYSTEM. COMMON VENT SYSTEMS ARE PROHIBITED.
- IF VENTING SYSTEM IS DISASSEMBLED FOR ANY REASON, REINSTALL PER THE INSTRUCTIONS PROVIDED FOR THE INITIAL INSTALLATION.



Vent Restriction

The Nordic QT is shipped with an Exhaust Restrictor Plate which prevents overly strong draft that can cause poor combustion and weak flame picture. **The Exhaust Restrictor should be installed on any stove using a vertical termination or snorkel termination.**

Additional restriction may be needed depending the overall vent height. Most vent manufacturer's offer in-line vent restrictors that install between two pipe sections. Follow the vent manufacturer's installation instructions.

Exhaust Restrictor Plate:

1. Remove the glass panel and log set.
2. Using a 1/4" nut driver, remove the two sheet metal screws in the rear wall of the firebox below the exhaust hole. See fig. 5.
3. Install the restrictor plate over the lower half of the exhaust hole and secure the plate using the same screws that were just removed.
4. Reinstall logs and glass.

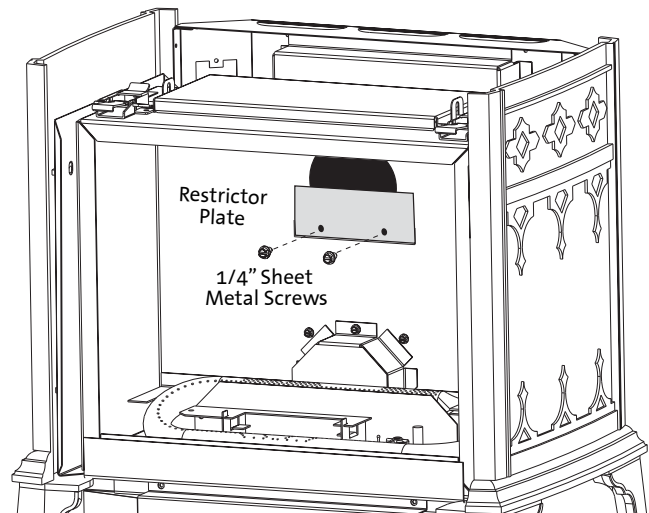


Figure 5. Installing the Exhaust Restrictor Plate.

Vertical Venting

The Jøtul GF100 DV Nordic QT is approved for vertical venting through a ceiling or to a roof termination following these guidelines:

- The termination should fall within the shaded area of the grid depicted in fig. 6 below. Maximum Vertical should not exceed 15 ft. (4.57 m)
- In no case shall any discharge opening on the termination cap be less than 18" (457 mm) horizontally from the roof surface. See fig. 7.
- Steep roofs, nearby trees, and predominantly windy conditions can contribute to poor draft and/or promote down-draft occurrences. Increasing the height of the vent may alleviate these conditions.
- Use approved vent manufacturer's Wall Straps to support an offset pipe run at three feet intervals to avoid excessive stress on the offsets.
- Whenever possible use 45° elbows instead of 90° elbows as they are less restrictive to exhaust gas and intake air flow.
- A firestop is required at every floor. Firestops are available from all vent manufacturers. The opening should be framed to 10" X 10" inside dimension.
- Any venting that is exposed above the first floor, regardless of attic space or living space, must be enclosed. Always maintain the required 1" clearance from all sides of the vertical vent system.
- **A vertical run in any horizontally-terminated system must rise a minimum of 1 ft.** See fig. 12.
- Install the Exhaust Gas Restrictor in all vertically terminated or snorkel terminated vent systems. See Vent Restriction on page 8.

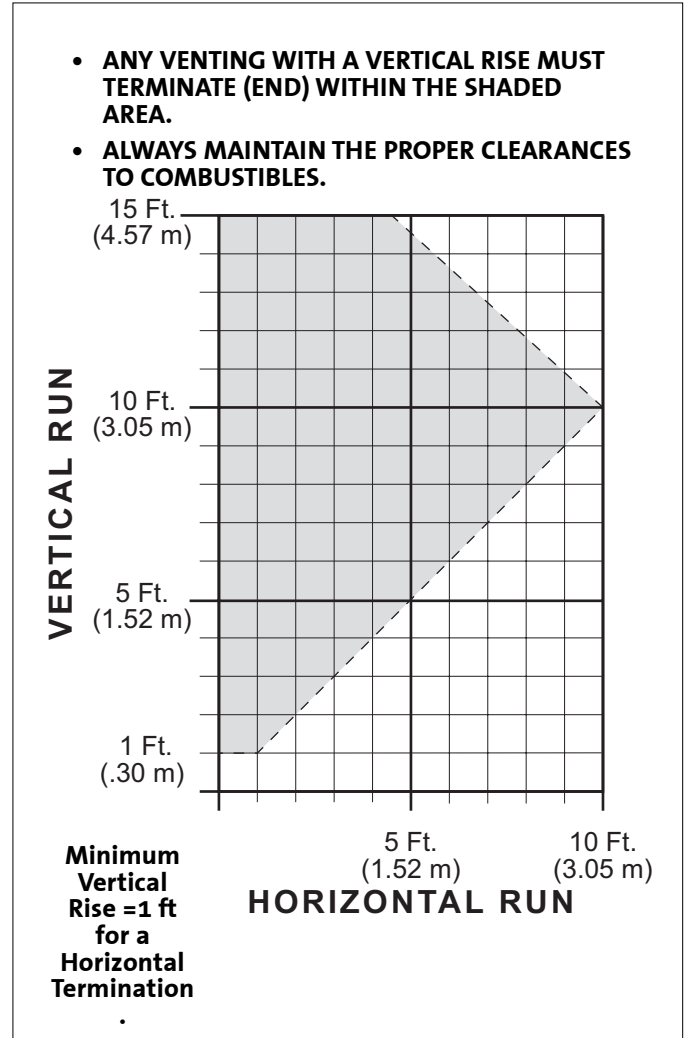


Figure 6. GF100 DV Nordic Vent Window - any termination must fall within the shaded area dimensions.

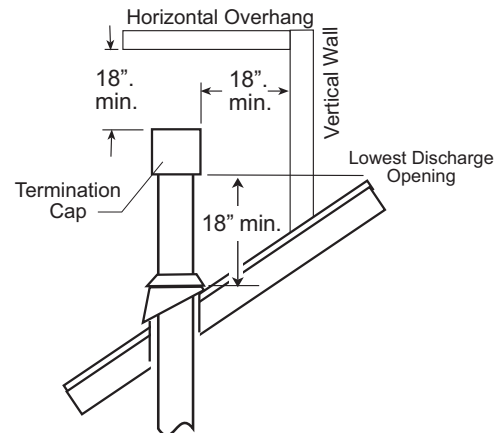


Figure 7. Minimum vertical termination height and roof clearance.

Horizontal Termination

- **Wall Cut-out Opening:** A minimum 10" X 10" (250 mm x 250 mm) square hole is required for proper pipe clearances through a combustible wall. Use vent manufacturer's WALL THIMBLE for the wall penetration.

DO NOT FILL AIR SPACE WITH ANY TYPE OF INSULATION.

- The minimum horizontal run made directly off the rear of the stove into a standard horizontal cap shall be no less than a 6" vent section. See fig. 8.
- The maximum horizontal run made directly off the rear of the stove into a standard horizontal cap (#984 or #985) must include no more than a **12" and 6"** section of Simpson Dura-Vent pipe installed together. See fig.9.
- The maximum horizontal run made directly off the rear of the stove into a 14" snorkel cap must include no more than a 24" vent section . See fig. 10.
- The horizontal termination cap must maintain a 3" clearance to any overhead combustible projections 2 1/2" or less. It must also maintain 12" clearance from projections exceeding 2 1/2". See fig. 14.
- Any horizontal run of vent must be level or have a 1/4" rise for every foot of run toward the termination cap. NEVER ALLOW THE VENTING TO RUN DOWNWARD FROM STOVE TO TERMINATION; DOWNWARD VENT RUNS TRAP HEAT AND CAUSE HIGH TEMPERATURES TO DEVELOP WITHIN THE VENT THAT COULD START A FIRE.
- Install a Vinyl Siding Standoff between the vent termination and an exterior wall covered by vinyl siding material to prevent potential heat damage to the siding.
- Do not recess the termination cap into a wall or siding.

Options for immediate horizontal venting directly off the rear of the stove

Figure 8. Minimum Horizontal Run - Standard Termination.

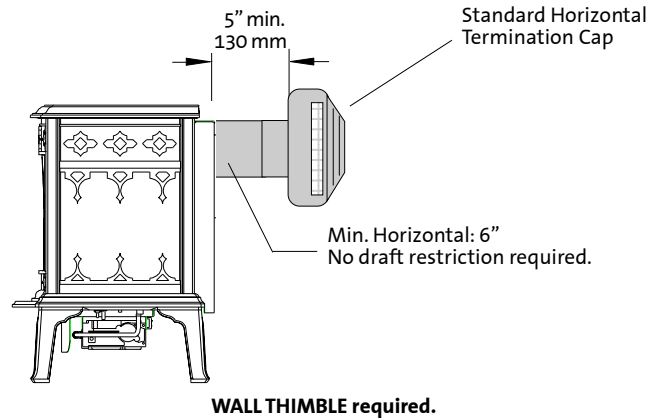


Figure 9. Maximum Horizontal Run - Standard Termination.

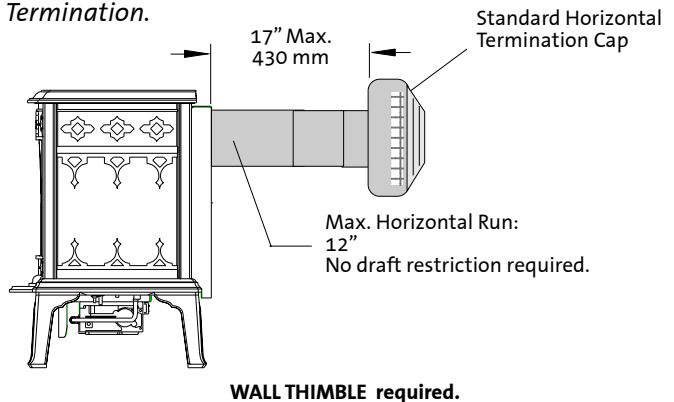


Figure 10. Maximum Horizontal Run with Snorkel Termination.

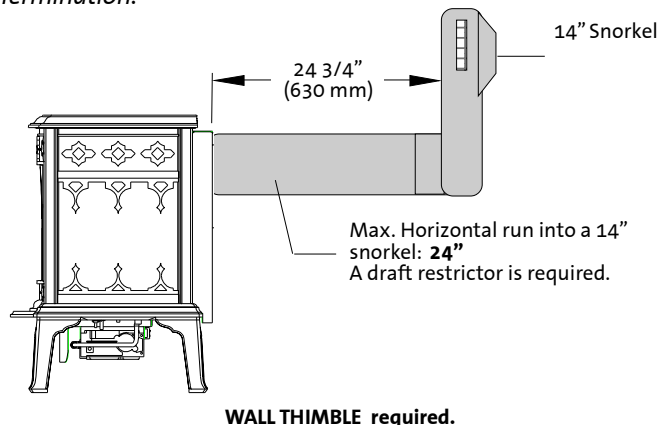
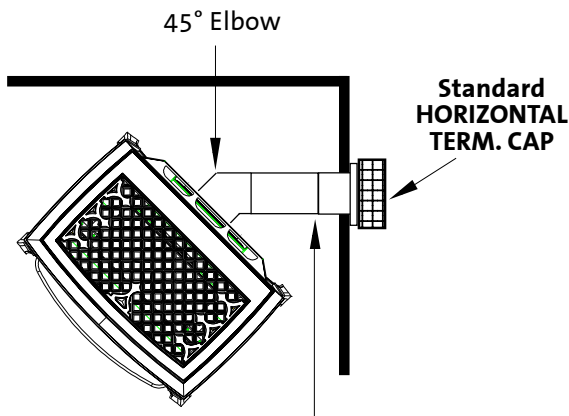


Figure 11.

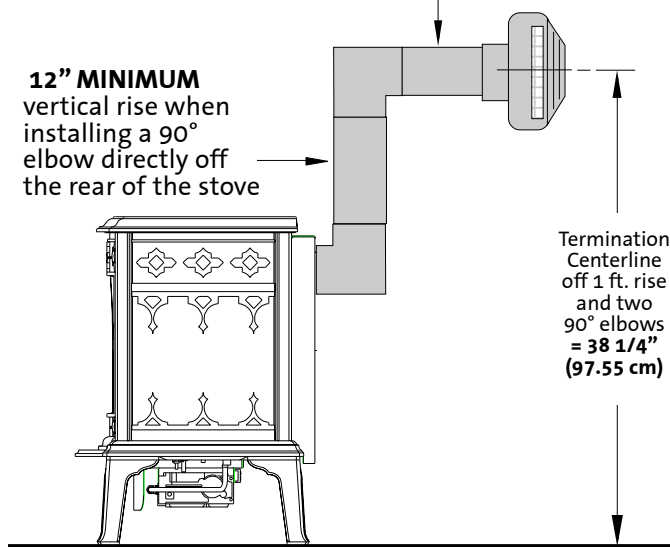
CORNER INSTALLATION



Max. Horizontal Run into a STANDARD HORIZONTAL CAP : 45° elbow + 9" + 6" sections (totalling 17" horizontal).

12" Maximum horizontal when installing the stove with a **1 ft.** vertical directly off the rear of the stove.

12" MINIMUM vertical rise when installing a 90° elbow directly off the rear of the stove



WALL THIMBLE required in all installations passing through combustible wall.

Figure 12. A vertical run in a horizontally-terminated installation must rise a minimum of 1 ft. The horizontal run must be a minimum of 1 ft.

Wall Shield Installation

The decorative Wall Shield, included with the Nordic QT, is used to cover the vent hole in the wall in installations vented directly off the rear of the stove. Follow this procedure:

1. Remove the top two 1/4" hex head screws from the rear shroud of the stove.
2. Align the holes in the wall shield with the holes in the rear shroud.
3. Secure the wall shield to the stove with the two 1/4" hex head screws. See fig. 13.

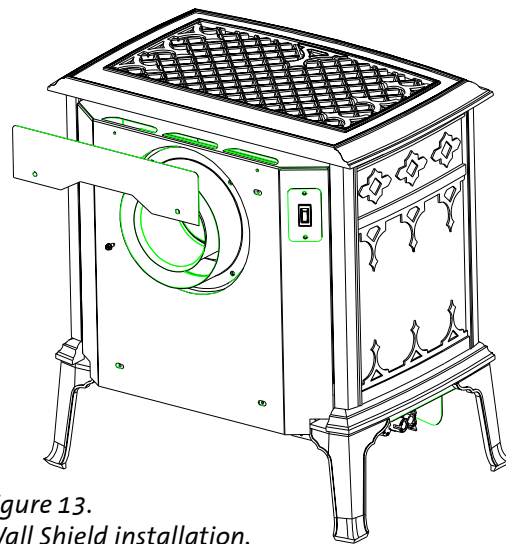


Figure 13. Wall Shield installation.

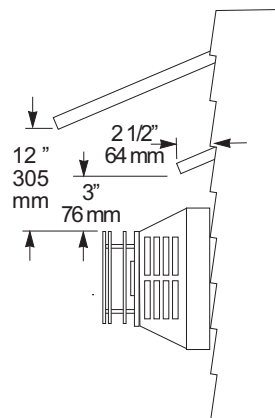


Figure 14. Termination Clearance to overhangs

Horizontal Termination Clearance

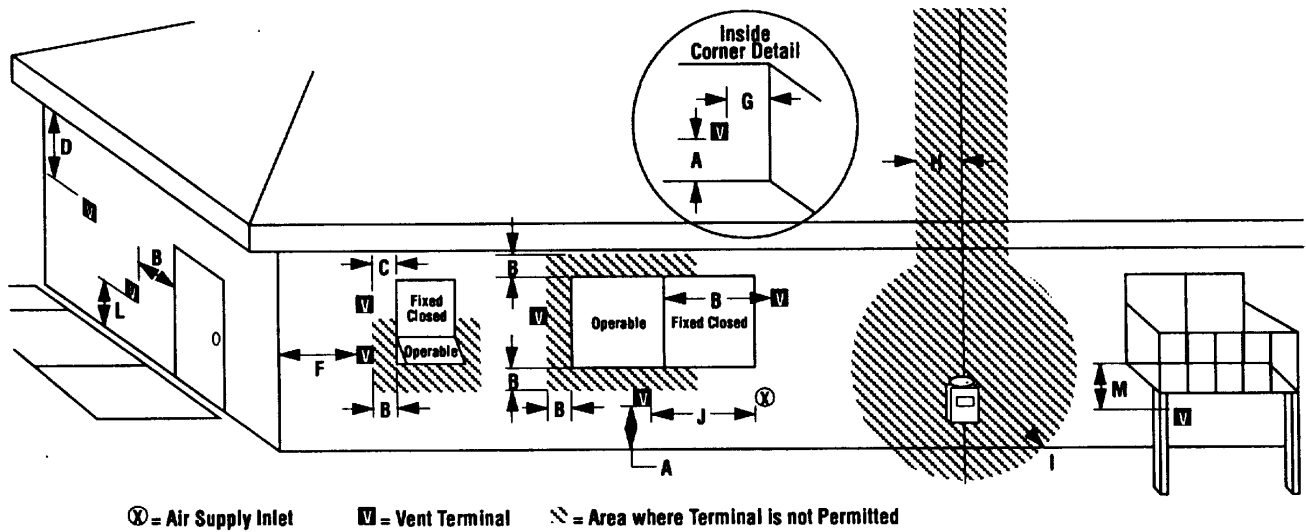


Figure 15. Vent Terminal Clearances - National Fuel Gas Code.

A = Clearance above grade, veranda, porch, deck, or balcony: ***12 inches (30 cm) minimum.**

B = Clearance to window or door that may be opened: **9 inches (23 cm) min./U.S. *12 inches (30 cm) min./ CAN**
We recommend 12 inches minimum to help prevent condensation on the window.

C = Clearance to permanently closed window: **9 inches (23 cm) min./U.S. *12 inches (30 cm) min./ CAN**
We recommend 12 inches minimum to help prevent condensation on the window.

D = Vertical clearance to ventilated soffit located above the terminal within a horizontal distance of 2 feet (60 cm) from the centerline of the terminal: **18 inches (46 cm) minimum.**

E = Clearance to unventilated soffit: **12 inches (46 cm) minimum.**

F = Clearance to outside corner: **9 inches (23 cm) min.** Jøtul N.A. strongly recommends 12 inches (30 cm), particularly where windy conditions are prevalent.

G = Clearance to inside corner: **6 inches (16 cm) minimum.** Jøtul N.A. strongly recommends 12 inches (30 cm), particularly where windy conditions are prevalent.

H = *Not to be installed above a meter/regulator assembly **within 3 feet (90 cm)** horizontally from the centerline of the regulator.

I = Clearance to service regulator vent outlet: **U.S. - 3 feet CAN. 6 feet (1.8 m) minimum.**

J = Clearance to nonmechanical air supply inlet to building or the combustion air inlet to any other appliance: ***12 inches (30 cm) minimum.**

K = Clearance to a mechanical air supply inlet: ***6 feet (1.8 m) minimum.**

L = ** Clearance above paved sidewalk or a paved driveway located on public property: ***7 feet (2.1 m) min.**

M = Clearance under veranda, porch, deck, or balcony: ***12 inches (30 cm) minimum.¹**

* As specified in CGA B149 Installation Codes. Note: Local Codes and Regulations may require different clearances.

** A vent shall not terminate directly above a sidewalk or driveway which is located between two single family dwellings and serves both dwellings.*

¹ Only permitted if veranda, porch, deck, or balcony, is fully open on a minimum of two sides beneath the floor.*

Mobile Home Installation

The Nordic QT can be installed for use in a mobile home in the U.S. and Canada provided:

1. The stove is secured to the floor of the mobile home. Use Jøtul Floor Bracket Kit #154388.
2. Provision must be made to secure an electrical ground between the stove and the mobile home chassis.
3. The stove is installed in accordance with Title 24 CFR, Part 3280- Manufactured Home Construction and Safety Standard, in the U.S. In Canada, comply with CSA Z240.4, Gas Equipped Recreational Vehicles and Mobile Housing.
4. Always contact your local officials about installation restrictions and requirements in your area.

THIS APPLIANCE MAY BE INSTALLED AS AN OEM INSTALLATION IN A MANUFACTURED (MOBILE) HOME AND MUST BE INSTALLED IN ACCORDANCE WITH THE MANUFACTURER'S INSTRUCTIONS AND THE MANUFACTURED HOME CONSTRUCTION AND SAFETY STANDARD, TITLE 24 CFR, PART 3280. THIS APPLIANCE IS ONLY FOR USE WITH THE TYPE OF GAS THAT IS INDICATED ON THE STOVE'S RATING PLATE. A GAS CONVERSION KIT IS PROVIDED WITH THE NORDIC QT DIRECT VENT GAS STOVE.

THIS APPLIANCE MAY BE INSTALLED IN AN AFTERMARKET PERMANENTLY LOCATED, MANUFACTURED (MOBILE) HOME, WHERE NOT PROHIBITED BY LOCAL CODES.

CET APPAREIL PEUT ETRE INSTALLE DANS UN MAISON PREFABRIQUEE (MOBILE) DEJA INSTALLEE A DEMEURE SI LES REGLEMENTS LOCAUX LE PERMETTENT. CET APPAREIL DOIT ETRE UTILISE UNIQUEMENT AVEC LES TYPES DE GAS INDIQUES SUR LA PLAQUE SIGNALETIQUE. NE PAS L'UTILISER AVEC D'AUTRES GAS SAUF SI UN KIT DE CONVERSION CERTIFIE EST INSTALLE.

Fuel Conversion

The Nordic QT gas stove is shipped from the factory equipped to burn NATURAL GAS only. If PROPANE gas is to be used as fuel, the appliance must first be converted for use with propane. Use Propane Conversion Kit 154379, supplied with the appliance.

Order and install NG Conversion Kit 154386 to change back to use with natural gas.

WARNING:

THE CONVERSION KIT IS TO BE INSTALLED BY AN AUTHORIZED JØTUL SERVICE TECHNICIAN IN ACCORDANCE WITH THE MANUFACTURER'S INSTRUCTION AND ALL CODES AND REQUIREMENTS OF THE AUTHORITY HAVING JURISDICTION. FAILURE TO FOLLOW THESE INSTRUCTIONS COULD RESULT IN SERIOUS INJURY OR PROPERTY DAMAGE. THE QUALIFIED AGENCY PERFORMING THIS WORK ASSUMES RESPONSIBILITY FOR THIS CONVERSION.

IN CANADA:

THE CONVERSION SHALL BE CARRIED OUT IN ACCORDANCE WITH THE REQUIREMENTS OF THE PROVINCIAL AUTHORITIES HAVING JURISDICTION AND IN ACCORDANCE WITH THE REQUIREMENTS OF THE CAN1-B149.1 AND .2 INSTALLATION CODE.

Tools required:

- 1/2" open ended wrench or deep-well socket, Torx T20 or slotted screwdriver, 4 mm allen wrench.

Conversion Kit Contents:

- 1, regulator tower labeled for propane
- 3, regulator tower screws
- 1, burner orifice (#49 for NG, 59 for LPG)
- 1, pilot orifice (#51 for NG, #30 for LPG)
- Label A - to be completed and applied to the back of the stove
- Label B - apply to the stove's Rating Plate
- Small valve label - apply to valve body

Conversion instructions are also shipped in the stove with the conversion kit.

Gas Conversion Procedure

Refer to fig. 27, Illustrated Parts Breakdown, to identify part numbers below.

1. Turn off gas supply to stove.
2. Remove the stove Top Plate (3).
3. Remove the front plate from the stove. Pull the casting straight up and out away from the side panels. Pull the panel upward with one hand while the other pushes against the top of the firebox.
4. Release the Glass Clips (7) at the top of the firebox. Carefully lift the glass panel up and out.
5. Remove the Log Set (8) using care not to scratch or damage logs.
6. Lift out the Front Log Support/Screen (21) and Air Divider (46).
7. **LIFT OUT THE BURNER TUBE (10):** NOTE: There are no screws securing the Burner Tube to the floor of the firebox.
8. Change the Main Burner Orifice (33). Using a 1/2" open ended wrench or deep-well socket remove the burner orifice and replace with the appropriate orifice supplied in the kit.
#49 for NG
#59 for LPG
9. Adjust the Air Shutter on the Burner Tube (10) to allow for the proper mixing of air and gas. See fig. 16.
1/4" open for natural
3/4" open for propane
10. **CHANGE THE PILOT ORIFICE: From within the firebox, remove the Pilot Head by pulling it straight up from the pilot base.** See fig. 17.
 Using the 4 mm allen wrench that is included with the conversion kit, unscrew the pilot orifice (counter-clockwise). Replace with the appropriate orifice:
#51 for natural gas
#30 for propane gas
11. Tighten orifice into the base of the pilot assembly. To prevent bypass leaks, be sure the orifice is secured tightly and flush with the base. Replace pilot head by pushing it down onto the pilot base. See fig. 17.
12. Replace the Variable Regulator. Using a Torx T-20 screwdriver, remove the three specialty screws from the front of the valve regulator. See fig. 18.
13. Remove the Regulator Tower, Gasket, white plastic disk, and Spring.
14. Install the new variable regulator tower being sure that the gasket is properly positioned and tighten screws securely.
15. Install the identification labels to the stove so that they can be seen by any person that may be servicing the stove.
 Label A: apply to back of stove.
 Label B: apply to stove's rating plate.
 Small valve Label: apply to valve.

16. Reassemble the stove, apply gas to the system and check for leaks using a soapy water solution.

NEVER USE AN OPEN FLAME TO CHECK FOR GAS LEAKS.

Correct gas pressure is essential for efficient and safe operation of this appliance. Correct gas pressure must be established at the time of installation. For more details, see the Gas Pressure section of this manual (page 17).

ALWAYS REFER TO THE LIGHTING INSTRUCTIONS ON THE INSIDE BACK COVER OF THIS MANUAL WHEN LIGHTING YOUR NORDIC QT.

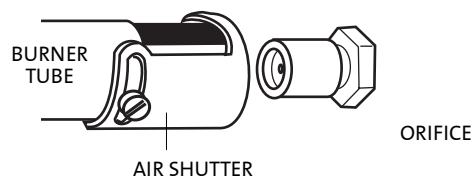


Figure 16.
The Air Shutter should never be less than 1/8" open.

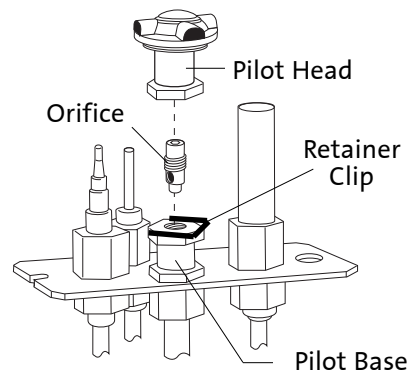


Figure 17. Pilot orifice removal and replacement.

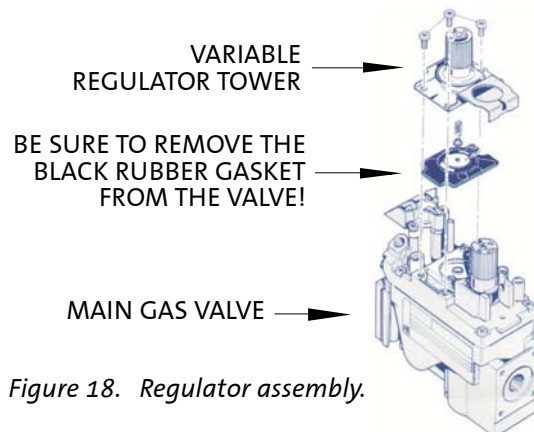


Figure 18. Regulator assembly.

Gas Supply Connection

The gas supply line connection is made to the valve just inside the left rear leg. The gas supply line should be 3/8" npt with a 1/2" diameter supply, or the appropriate size to provide sufficient gas pressure to the valve regardless of the input setting.

The use of Flexible Gas Appliance Connectors is acceptable in many areas in the U.S. However, Canadian methods vary depending on local code.

ALL INSTALLATIONS MUST COMPLY WITH LOCAL CODE OR IN THE ABSENCE OF LOCAL CODE, MUST COMPLY WITH THE MOST RECENT EDITION OF THE NATIONAL FUEL GAS CODE ANSI Z223.1/NFPA 54 OR CAN-B149.

All codes require a gas shut-off valve (gas cock) and union, to be installed in the supply line, and in the same room as the appliance. This allows for the disconnection of the stove for servicing and maintenance. See fig. 19.

A T-HANDLE GAS COCK IS REQUIRED IN MASSACHUSETTS TO COMPLY WITH CODE 248CMR.

Secure all joints tightly using appropriate tools and sealing compounds. For propane units be sure to use compounds that are propane resistant. Turn on gas supply and test for gas leaks using a soapy water solution. Never use an open flame to check for leaks.

Leak test:

1. Mix a 50-50 solution of water and dish soap.
2. Light appliance- see lighting instructions on the inside back cover of this manual or on the stove's rating plate.
3. Brush or spray all joints and connections with the soapy water solution.
4. If bubbles appear at any connection or seam or a gas odor is detected, immediately turn gas control knob to the OFF position.
5. Tighten or reconnect the leaking joint and retest for any gas leaks.

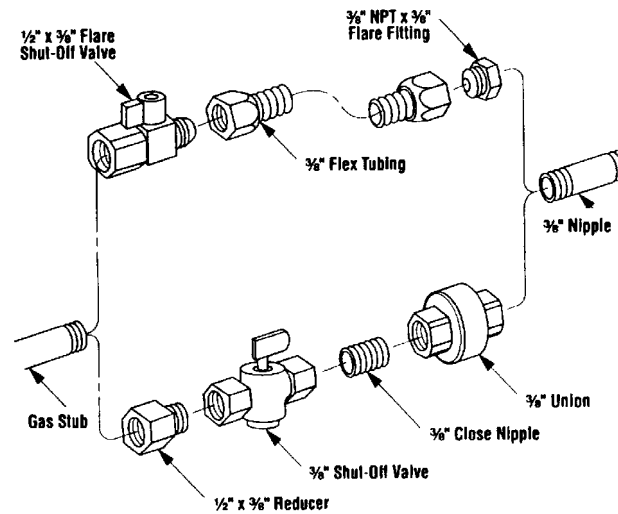


Figure 19. Supply valve coupling.

Gas Pressure

Correct gas pressure is essential for efficient and safe operation of the Nordic QT gas stove. It is important that the correct pressure is established at the time of the installation. Proper gas pressure provides a consistent flow of gas to the appliance and is instrumental in checking for gas leaks.

Pressure Test: Attach a manometer to the appropriate test point on the valve. See fig. 20. The gauge connections are located on the front of the valve under the On/Off/Pilot- knob. Gauge connections are identified by:

E - for **Inlet or Supply Pressure** (the amount of gas coming to the valve.)

A - for **Manifold Pressure** (the amount of gas that is coming out of the valve to the burner.)

ALWAYS TEST PRESSURES WITH VALVE CONTROL KNOB SET ON HIGH.

NECESSARY INLET GAS PRESSURES (inches water column)

	MIN	MAX
NATURAL GAS	5.0	7.0
PROPANE	11.0	13.5

The appliance and its appliance main gas valve must be disconnected from the gas supply piping system during any pressure testing on that system at test pressures in excess of 1/2 psig (3.5 kPa).

The appliance must be isolated from the gas supply line by closing its individual manual gas shut-off valve (gas cock) during any pressure testing of the gas supply piping system that is equal to or exceeds pressures of 1/2 psig (3.5 kPa).

MANIFOLD PRESSURES (inches water column)

	MIN	MAX
NATURAL GAS	2.2	3.5
PROPANE	6.5	10.0

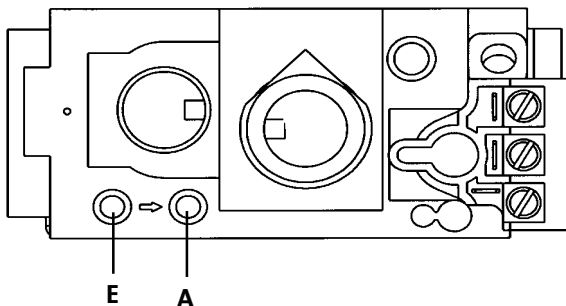


Figure 20. Pressure test points.

High Altitude Adjustment

Higher altitudes affect the atmospheric pressure and heat value of gaseous fuels. When installing the Nordic QT in high altitude (above 2500'), it will be necessary to compensate for the thinner air (less volume of oxygen per cubic foot). The lower oxygen content in the air and the lower gas viscosity require the use of a different orifice to achieve efficient combustion.

IN THE U.S.:

THE DERATING KIT MUST BE INSTALLED BY AN AUTHORIZED SERVICE TECHNICIAN IN ACCORDANCE WITH THE MANUFACTURER'S INSTRUCTIONS AND ALL CODES AND REQUIREMENTS OF THE AUTHORITY HAVING JURISDICTION. THE INFORMATION STICKER MUST BE FILLED OUT BY THE INSTALLER AND ADHERED TO THE APPLIANCE AT THE TIME OF THE CONVERSION. THE QUALIFIED SERVICE AGENCY PERFORMING THIS WORK ASSUMES RESPONSIBILITY FOR THIS DERATING.

IN CANADA,

THIS UNIT HAS BEEN TESTED FOR INSTALLATION AT HIGH ALTITUDES IN ACCORDANCE WITH CANADIAN TEST STANDARD CAN/CGA-2.17.

THE DERATING SHALL BE CARRIED OUT IN ACCORDANCE WITH THE REQUIREMENTS OF THE PROVINCIAL AUTHORITIES HAVING JURISDICTION AND IN ACCORDANCE WITH THE REQUIREMENTS OF THE CAN1-B-149.1 AND .2 INSTALLATION CODE.

For installations from 610 - 370 meters (2000-4500 ft.) The orifice size for natural gas is #49 and for propane gas #60. See the chart below

For high altitude installations, consult your local gas distributor or the authority having jurisdiction for proper rating methods. If the appliance is converted for high altitude, the Conversion Label must be filled out by the installer and applied to the appliance at the time of the conversion.

High Altitude Orifice Chart

Elevation	Fuel	Orifice Size	Part No.
0 - 2000 ft. (0 - 610 m)	Natural Gas	#49	129411
	Propane	#59	129482
2001 - 4500 ft. (611 - 1370 m)	Natural Gas	#49	Do Not Derate 54387
	Propane	#60	

Derating Procedure:

1. To derate this unit, install the appropriate orifice per the High Altitude chart.
2. Remove the log support/burner tube to expose the main burner orifice.
3. Using a 1/2" open ended wrench or a deep-well socket remove the burner orifice.
4. Replace with the appropriate orifice from the high altitude kit.
5. **Be sure to apply the high altitude conversion label provided to the rating plate on the appliance.**

THIS STOVE HAS BEEN CONVERTED FOR USE AT AN ALTITUDE OF: _____
Orifice Size: _____ Manifold Press. _____
Input Btu/Hr. _____ Fuel Type _____
Date of Conversion _____

Figure 21. This label must be filled out and applied to the appliance by the installer.

Flame Appearance / Air Shutter Adjustment

The GF100 DV NORDIC QT gas stove is shipped from the factory equipped to burn Natural gas. If the stove has been converted for use with propane, will require adjustment. THE AIR SHUTTER SHOULD BE SET:

1/4" open for natural gas

3/4" open for propane

The air shutter setting can also be adjusted to achieve the desired flame appearance. Generally, flame appearance is a matter of preference, however most people enjoy a warm yellowish flame.

Too large an opening - the appliance will generate a flame that is blue and transparent, or an "anemic" flame.

Too small a setting - the appliance will generate very long yellow flames resulting in soot. Sooting produces black deposits on the logs, on the inside walls of the appliance, and potentially on the exterior termination cap.

Sooting is caused by incomplete combustion in the flames and lack of combustion air entering the air shutter opening.

To adjust the air shutter:

1. Remove the Log Set.
2. Remove the burner tube by lifting it forward.
3. Use a phillips head screwdriver loosen to the screw at the air shutter and adjust as necessary for the appropriate fuel and desired flame picture. Retighten the screw after adjustment. See fig. 22.
4. Reassemble the stove. Allow it to burn for 30 minutes on the HIGH setting, observing the flame continuously. If the flame appears weak, slow, or sooty, repeat the process described above until the flame is as desired.

WARNING: AIR SHUTTER ADJUSTMENTS SHOULD ONLY BE PERFORMED BY A QUALIFIED PROFESSIONAL SERVICE TECHNICIAN.

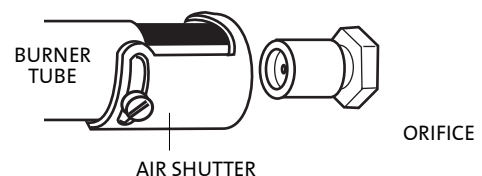


Figure 22. The Air Shutter should never be less than 1/8" open.

Optional Wall Thermostat or Remote Control

Use only a 750 millivolt DC two-wire circuit thermostat with this appliance. The thermostat should be placed in the same room as the heater, typically 5 feet off the floor. Avoid drafty areas or any area that may affect the accuracy of the thermostat.

The thermostat should be connected to the Nordic QT using a minimum of 16 gauge wire with a maximum length of 35 feet of wire.

Connect the two thermostat wire leads to the two lower terminals on the terminal block located directly above the ignitor button. Do not overtighten the connections. IT IS NOT NECESSARY TO DISCONNECT ANY OTHER WIRES. See Fig. 23.

For thermostatic operation, the On/Off/T-Stat switch on the back of the stove must be in the T-stat position, and the pilot light must be running, as it is the power source for the thermostat.

At the thermostat, the two wires should be connected to the two connection screws on the thermostat base plate per the manufacturer's instructions.

Remote Control

When using a remote, the remote receiver should be wired to the terminal block the same way the thermostat would be. See the instructions above.

Follow the operating instructions included with the Remote Control unit.

CAUTION:

LABEL ALL WIRES PRIOR TO DISCONNECTION WHEN SERVICING THE CONTROLS. WIRING ERRORS CAN CAUSE IMPROPER OR DANGEROUS OPERATION. ALWAYS VERIFY PROPER OPERATION AFTER SERVICING THE APPLIANCE.

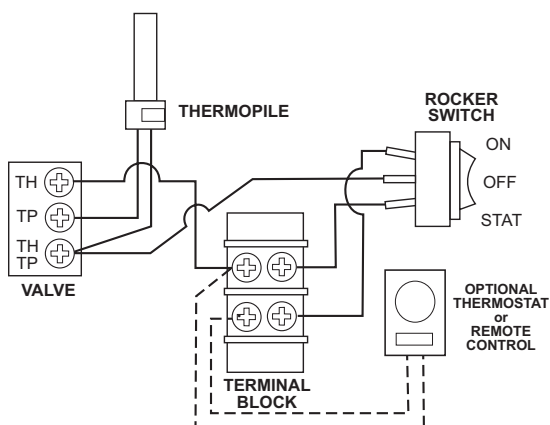


Figure 23. Accessory wiring diagram.

Log Set Installation

The Nordic QT is equipped with a one piece log set and is packaged in bubble wrap inside the firebox. The log set must be removed from the packaging and arranged in the unit prior to start up of the gas stove. Do not handle the log set with your bare hands. Always wear gloves to prevent skin irritation from the ceramic fibers.

To install the log set, remove the packaging and place the log set inside the firebox, centered and pushed completely back against the rear wall of the stove. See fig. 24.

Also included is a bag of ember stones that will simulate glowing embers when the burner is operating. These should be broken into pea-sized pieces and spread equally spaced across the screen on the burner tube.

NOTE: All the embers do not have to be used.

THE CERAMIC FIBER LOGS AND GLOWING EMBERS CAN IRRITATE YOUR SKIN. GENTLY WASH YOUR HANDS WITH WARM SOAPY WATER AFTER HANDLING THE LOGS.

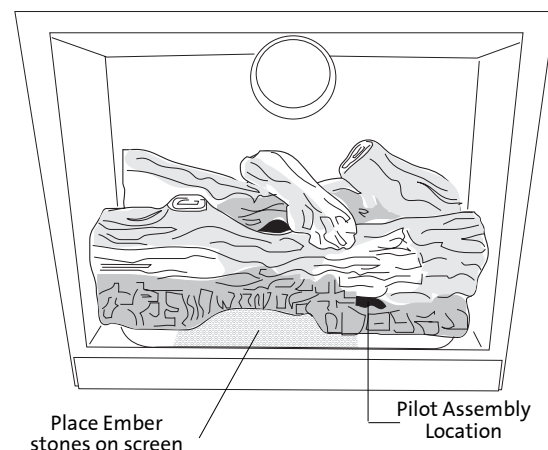


Figure 24. Center the Log Set within the firebox.

System Check

1. PURGING THE GAS LINE: When lighting the appliance for the first time, it will take a few moments to clear the gas line of air. Once this purge is complete, the appliance will operate as described in the lighting instructions. See the inside back cover of this manual or the stove Rating Plate attached the bottom of the stove. Subsequent burner starts will not require purging the gas line unless the supply line is shut off.

2. PILOT FLAME: You can monitor the pilot flame through the view port in the lower right front of the log set. See fig. 22. The pilot flame should be steady - not lifting or floating. The flame should be blue in color around the pilot hood, with traces of yellow toward the outer edges.

The pilot flame should engulf the top 3/8" of the thermopile (to generate millivolt current) and the top 1/8" of the thermocouple. The pilot flame should project out of the pilot hood 1" at all three ports. See figs. 25.

3. BURNER ADJUSTMENT: This stove is equipped with a variable gas control valve that allows easy adjustment of the flame height appearance and heat output. To adjust the flame between the HI and LOW setting, rotate the HI/LOW knob, located in the center of the valve face. **Flame height will adjust approximately 1.0" to 1.5" between the LOW and HIGH settings. See fig. 26.**

NO SMOKE OR SOOT SHOULD BE PRESENT. CHECK LOG PLACEMENT IF ANY SOOT OR SMOKE IS PRESENT. IF SOOT OR SMOKE PERSISTS, THE AIR SHUTTER MAY NEED TO BE ADJUSTED.

See Air Shutter/Flame Appearance section of this manual for proper air shutter settings and adjustments. Note: the more offsets there are in the vent system, the greater the need for an air shutter adjustment. See page 18.

WARNING:

AIR SHUTTER ADJUSTMENTS SHOULD ONLY BE PERFORMED BY A QUALIFIED PROFESSIONAL SERVICE TECHNICIAN.

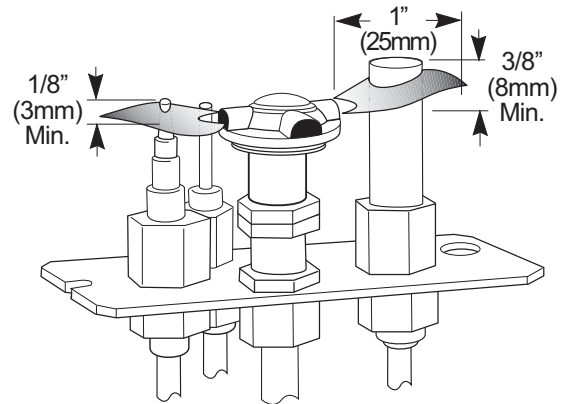


Figure 25. Proper pilot flame appearance.

CAUTION:

DO NOT ATTEMPT TO ALTER THE FLAME APPEARANCE BY POSITIONING THE GAS VALVE IN ANY OTHER POSITION OTHER THAN THE FULL "ON" POSITION.

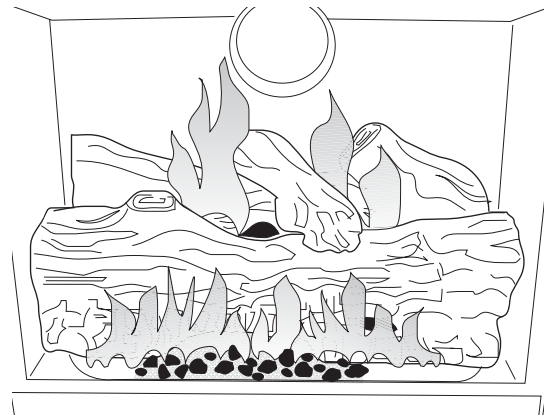


Figure 26. Flame appearance on the "high" setting after approximately 15 to 20 minutes burning.

Operation

Familiarize yourself with the controls of the GF100 Nordic QT. Make sure that anyone else using the appliance is also familiar with the controls and operation procedures. Always follow the Lighting Instructions on the inside back cover of this manual and also located on the Rating Plate attached to the burner assembly.

1. Once the pilot is lit, burner operation is controlled by the rocker switch located at the left rear corner of the stove. Use the T-STAT position for the optional thermostat or remote control functions.
2. During the first few fires, you may notice odor and/or smoke from the stove. This is normal and results from burn-off of manufacturing residue and curing of materials. You may find it helpful to provide additional ventilation and fresh air to alleviate this condition.
3. Condensation may occur on the glass upon each lighting of the appliance. This "fog" will disappear as the appliance heats up.
4. Keep the controls and the area under the appliance free of debris, vacuum this area frequently. Always keep the appliance area clear and free from combustible materials, gasoline and other flammable liquids. If a vacuum is used during any service on the stove, ALWAYS be sure the stove is cold and there are NO hot embers or sparks.
5. Remember, this appliance has a continuous burning pilot flame. Exercise caution when using products having combustible vapors. Always shut-off gas supply while servicing the stove.
6. **CAUTION: DO NOT OPERATE THIS APPLIANCE WITH THE GLASS REMOVED CRACKED OR BROKEN.** Replacement of the glass should be done by a licensed or qualified service person. Use only replacement glass provided by your authorized Jøtul dealer. Never use any substitute materials.

WARNING: OBSERVE CAUTION WITH THE GLASS. THE GLASS PANEL MAY SHATTER UNEXPECTEDLY IF STRUCK WITH AN OBJECT. ALWAYS HANDLE THE GLASS PANEL WITH CARE. WHEN SERVICING THE STOVE ALWAYS PULL THE GLASS ASSEMBLY STRAIGHT UP FOR REMOVAL.

7. Clean the glass only when necessary. Wipe surface with a clean, damp soft cloth. Follow with a dry, soft towel as desired. Take care not to scratch the glass surface.

WARNING: DO NOT USE ABRASIVE CLEANERS ON THE GLASS. NEVER CLEAN THE GLASS WHEN IT IS HOT.

Maintenance

The Nordic QT Direct Vent gas stove and its venting system should be inspected before use and at least annually by a qualified service technician.

IMPORTANT:

ALWAYS TURN OFF THE GAS SUPPLY TO THE STOVE BEFORE ANY SERVICE WORK IS PERFORMED ON THE STOVE.

Firebox Cleaning: The firebox should be vacuumed annually to remove any surface build up. Be sure to vacuum or wipe off the pilot assembly and burner orifice and burner tube. Handle the logset carefully as it is very fragile.

Glass Cleaning: Use warm water and a soft cloth. Do not use abrasive cleaning agents or strong detergents on the glass. Be sure the glass is cool before cleaning.

Gasket Inspection: Inspect the glass gasket at least annually. Examine the ribbon gasket for signs of deterioration and make sure the gasket has a positive seal. Replace the gasket if it appears worn or damaged. Refer to the replacement parts list on page 24.

Glass and Gasket Replacement

1. Using a nail punch inserted into the perf holes, carefully pry the two glass retainer tabs back. See fig. 27.
2. Peel away all remnants of the old gasket material and clean any adhesive residue off the glass.
3. Peel the paper backing off the replacement gasket to expose the adhesive.
4. Apply the gasket to the panel, wrapping the adhesive side down around the panel edge. See fig. 28.
5. Insert the gasketed glass panel into the frame and use the nail punch to bend the retainer tabs over the edge.

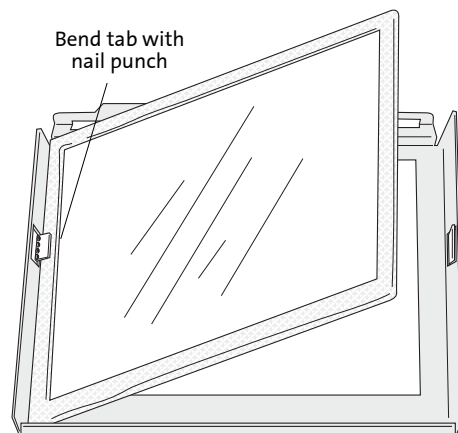


Figure 27. Removal and replacement of the glass panel.

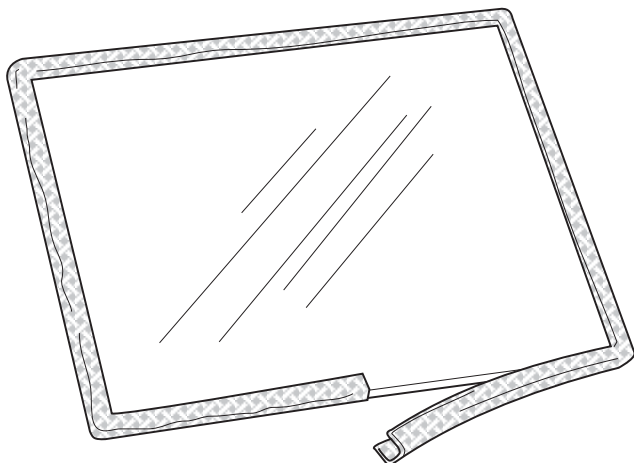


Figure 28. Wrap the gasket around the glass panel.

Always replace any damaged or broken parts on the Nordic QT with JØTUL AUTHORIZED PARTS ONLY. These are available through your Jøtul dealer. Never use any substitute parts on your Nordic QT Direct Vent stove.

With proper care and maintenance your appliance will provide you with many years of enjoyment. If you experience any problems or inconsistency with your Jøtul Nordic QT gas stove, contact your authorized Jøtul dealer for assistance.

**RETAIN THIS MANUAL FOR REFERENCE AND
MAKE IT AVAILABLE TO ANYONE USING OR
SERVICING THE STOVE.**

Record the following information to help your dealer determine what you will need for parts and service.

MODEL NAME: GF100 DV Nordic QT

SERIAL NUMBER: _____

DATE OF PURCHASE: _____

PURCHASED FROM: _____

NAME OF INSTALLER: _____

TYPE OF FUEL: _____

WAS STOVE CONVERTED? _____

NOTES:

GF100 Nordic QT Illustrated Parts Breakdown

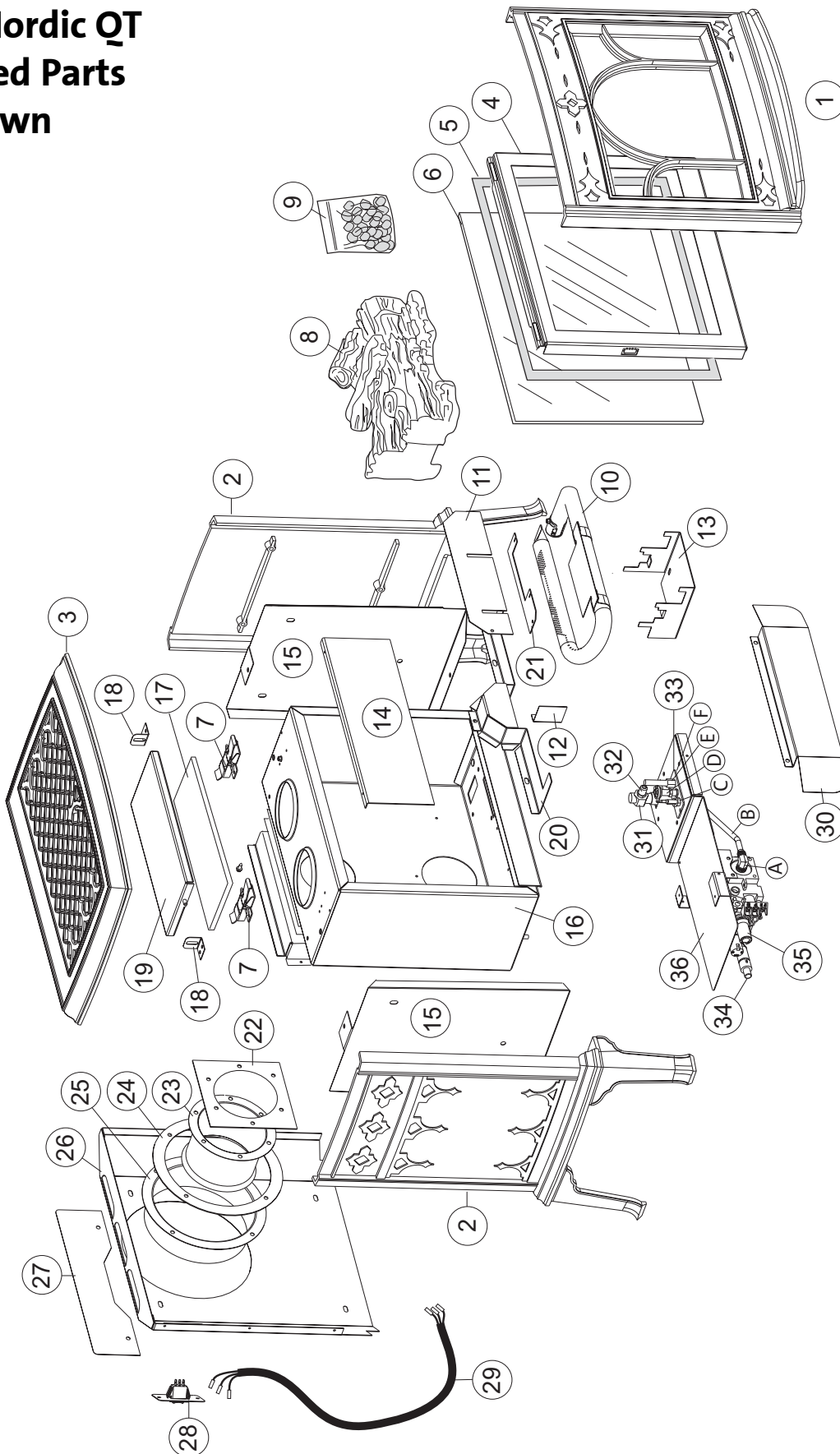


Figure 29. Illustrated Parts Breakdown - GF100 Nordic QT

GF100 Nordic QT Parts List

	Cast Iron Parts	Matte Black	Blue Black	Ivory	Green	Indigo	Jøtul Iron
1.	Front Panel	10390992	10390927	10390929	10390932	10390936	10390985
2.	Side Panel	10391192	10391127	10391129	10391132	10391136	10391185
3.	Top Casting	10391092	10391027	10391029	10391032	10391036	10391085

4.	Glass Frame	129392
5.	Glass Gasket (7/16" x 5 ft tadpole).....	129124
6.	Glass Panel	129393
	Glass Frame Kit (includes 4,5 & 6) .	154983
7.	Glass Clip	129135
8.	Log Set	129394
9.	Embers	129123
10.	Burner Tube	129190
11.	Air Divider	129484
12.	Air Deflector	129498
13.	Tube Holder	129645
14.	Exhaust Baffle	129486
15.	Side Heat Shield	129461
16.	Firebox/Air Manifold Assembly	154980
17.	Relief Door Gasket	129319
18.	Relief Door Guide	129499
19.	Relief Door	129640
20.	Log Support, Rear	129406
21.	Log Support, Front	129485
22.	Heat Exchanger Gasket	129313
23.	4" Pipe Collar	129321
24.	Starter Gasket 6.6"	129118
25.	6.6" Pipe Collar	129322
26.	Rear Shroud	129404
27.	Wall Shield	129487
28.	On/Off/T-stat Switch	129153
29.	Wiring Harness Complete	154319
30.	Valance	129405
31.	Orifice Holder	129128
*	Jam Nut - Orifice Holder	129152
32.	Burner Orifice NG #49	129411
	Burner Orifice LP #59	129482
33.	Pilot Assembly w/NG orifice	129471
*	Pilot Orifice NG #51	129472
*	Pilot Orifice LP #30	129473
A	Brass Valve Elbow	129129
B	Pilot Line w/ Fitting	129446
C	Thermocouple	129766
D	Electrode	129765
E	Thermopile	3094527
F	Gasket Pilot Assembly	129391

34.	Ignitor Button	3902573
*	Ignitor Bracket	3902576
35.	Valve NG	3902159
*	Valve LP	3902160
36.	Valve Bracket	129389
*	Main Gas Line (flexible)	129390
*	Ferrule (2)	129463
*	Nut (2)	129464
*	Terminal Block	129154
*	Exhaust Restrictor	129344

Fasteners

M6 X 12 Screw	117130
Heatshield to Sides - 6	
Firebox to Heatshield - 2	
M6 X 12 Screw	117911
Valve to Bracket - 4	
M4 X 8 Philips Screw	117920
Ignitor Bracket to Valve - 1	
#10X1/2 Sheet Metal Screw	117917
Starter Elbow to Firebox - 4	
Valance Screws - 2	
#8 Sheet Metal Screw	117917
Pilot Assembly to Valve Bracket - 2	
On/Off Switch to rear shroud - 1	
Hex Nut - 2	9930

Accessories

Wall Thermostat	750003
Remote Control	750002
Floor Bracket Kit	154388
Fuel Conversion Kit to NATURAL	154386
Fuel Conversion Kit to PROPANE	154379
Torx T20 screwdriver	110002
4 mm Allen wrench	129646

**ALWAYS USE REPLACEMENTS PARTS
PROVIDED BY AN AUTHORIZED JØTUL
DEALER ONLY.**

** Parts not illustrated*

LIGHTING INSTRUCTIONS

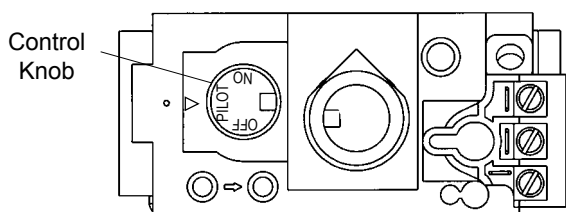
FOR YOUR SAFETY, READ BEFORE LIGHTING.

WARNING:
IF YOU DO NOT FOLLOW THESE INSTRUCTIONS EXACTLY, A FIRE OR EXPLOSION MAY RESULT CAUSING PROPERTY DAMAGE, PERSONAL INJURY, OR LOSS OF LIFE.

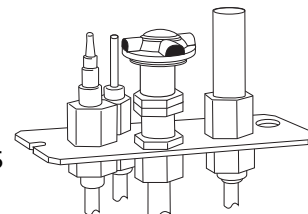
- A.** This appliance has a pilot which must be lit by hand. When lighting the pilot, follow these instructions exactly.
- B. BEFORE LIGHTING,** smell all around the appliance area for gas. Be sure to smell next to the floor because some gas is heavier than air and will settle to the floor.
- WHAT TO DO IF YOU SMELL GAS:**
- Extinguish any open flame.
 - Open windows.
 - Do not light any appliance.
 - Do not touch any electrical switches.
 - Do not use any phone in your building.
 - Immediately call your gas supplier from a neighbor's phone.
- If your gas supplier cannot be reached, call the fire department.
- C.** Use only your hand to push in or turn the gas control knob. Never use tools. If the knob will not push in or turn by hand, do not try to repair it. Call a qualified technician. Force or attempted repair may result in a fire or explosion.
- D.** Do not use this appliance if any part has been under water. Immediately call a qualified service technician to inspect the appliance and to replace any part of the control system and any gas control which has been under water.

LIGHTING INSTRUCTIONS

1. STOP! Read the safety information above.
2. Access the lower controls.
3. Turn the stove ON/OFF switch to "OFF", or set the thermostat to lowest setting (if used).
4. Confirm that the gas supply line shut-off valve is open.



Control Valve



Pilot Assembly

5. Push in gas control knob slightly and turn clockwise to "OFF".
 NOTE: Knob cannot be turned from "PILOT" to "OFF" unless the knob is pushed in slightly. Do not force.
6. Wait five (5) minutes to clear out any gas. If you then smell gas, STOP! Follow "B" in the safety information above on this page. If you do not smell gas, go to the next step.
7. Push in gas control knob slightly and turn counterclockwise to "PILOT".
8. Push in control knob all the way and hold in. Immediately light the pilot by triggering the spark ignitor (push the red button repeatedly) until pilot lights. Continue to hold the control knob in for about one minute after the pilot lights. Release knob and it should spring back. The pilot should remain lit. If it goes out, repeat Steps 5 through 8.
 - If knob does not return when released, stop and immediately call your service technician or gas supplier.
 - If pilot will not stay lit after several tries, turn the control knob to OFF and call your service technician or gas supplier.
9. Turn gas control knob counterclockwise to "ON".
10. Turn the stove ON/OFF switch to "ON", or set thermostat (if used) to desired temperature.

TO TURN OFF GAS TO THE APPLIANCE:

1. Turn ON/OFF switch to "OFF". The pilot will remain lit for normal service.
2. For complete shutdown, turn ON/OFF switch to "OFF".
3. Access the lower controls.
4. Depress gas control knob slightly and turn clockwise to "OFF". Do not force.

January 2004
129483-C

This appliance must be installed in conformance with local and national building regulations. Before beginning the installation, it is important that these instructions be carefully read and understood. Jøtul maintains a policy of continual product development. Consequently, products may differ in specification, color or type of accessories from those illustrated or described in various publications.

Jøtul vise sans cesse à améliorer ses produits. C'est pourquoi, il se réserve le droit de modifier les spécifications, couleurs et équipement sans avis préalable.



Jøtul ASA
P.O. Box 1411
N-1602 Fredrikstad
Norway

Jøtul North America
400 Riverside Street
Portland, ME 04104

Free Manuals Download Website

<http://myh66.com>

<http://usermanuals.us>

<http://www.somanuals.com>

<http://www.4manuals.cc>

<http://www.manual-lib.com>

<http://www.404manual.com>

<http://www.luxmanual.com>

<http://aubethermostatmanual.com>

Golf course search by state

<http://golfingnear.com>

Email search by domain

<http://emailbydomain.com>

Auto manuals search

<http://auto.somanuals.com>

TV manuals search

<http://tv.somanuals.com>