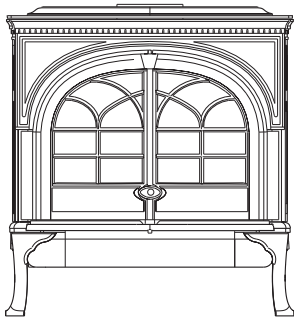




Jøtul GF 600 DV Firelight Direct Vent Gas Heater



Installation and Operation Instructions



WARNING:

IF THE INFORMATION IN THESE INSTRUCTIONS ARE NOT FOLLOWED EXACTLY, A FIRE OR EXPLOSION MAY RESULT CAUSING PROPERTY DAMAGE, PERSONAL INJURY OR LOSS OF LIFE.

FOR YOUR SAFETY:

DO NOT STORE OR USE GASOLINE OR OTHER FLAMMABLE VAPORS AND LIQUIDS IN THE VICINITY OF THIS OR ANY OTHER APPLIANCE.

INSTALLATION:

INSTALLATION AND SERVICE MUST BE PERFORMED BY A QUALIFIED INSTALLER, SERVICE AGENCY OR LICENSED GAS SUPPLIER.

WHAT TO DO IF YOU SMELL GAS:

- **DO NOT TRY TO LIGHT ANY APPLIANCE.**
- **DO NOT TOUCH ANY ELECTRICAL SWITCHES.**
- **DO NOT USE THE PHONE IN YOUR BUILDING. IMMEDIATELY CALL YOUR GAS SUPPLIER FROM A NEIGHBOR'S PHONE.**
- **FOLLOW YOUR GAS SUPPLIER'S INSTRUCTIONS.**
- **IF YOU CANNOT REACH YOUR GAS SUPPLIER, CALL THE FIRE DEPARTMENT.**

AVERTISSEMENT:

ASSUREZ-VOUS DE BIEN SUIVRE LES INSTRUCTIONS DANS CETTE NOTICE POUR REDUIRE AU MINIMUM LE RISQUE D'INCENDIE OU POUR EVITER TOUT DOMMAGE MATERIEL, TOUTE BLESSURE OU MORTALIT'E.

NE PAS ENTREPOSER NI UTILISER D'ESSENCE NI OU LIQUIDES INFLAMMABLES DANS LE VOISINAGE DE CET APPAREIL OU DE TOUT AUTRE APPAREIL.

L'INSTALLATION LE SERVICE DOIVENT ETRE EXECUTES PAR UN INSTALLATEUR QUALIFIE, AGENCE DE SERVICE OU LE FOURNISSEUR DE GAZ.

QUE FAIRE SI VOUS SENTEZ UNE ODEUR DE GAZ.

- **NE PAS TENTER D'ALLUMER L'APPAREIL**
- **NE TOUCHEZ A AUCUN INTERRUPTEUR.**
- **NE PAS VOUS SERVIR DES TELEPHONES SE TROUVANT DANS LE BATIMENT OU VOUS VOUS TROUVEZ.**
- **APPELEZ IMMEDIATEMENT VOTRE FOURNISSEUR DE GAZ CHEZ UN VOISIN. SUIVEZ LES INSTRUCTIONS DU FOURNISSEUR.**
- **SI VOUS NE POUVEZ REJOINDRE LE FOURNISSEUR DE GAZ, APPELEZ LE SERVICE DES INCENDIES.**

Welcome to Jøtul...

Congratulations on the purchase of your new GF 600 DV Firelight Gas Heater.

We at Jøtul are glad you've made the decision to warm your hearth with a Jøtul product. Your new Firelight exemplifies over 150 years experience as the world's largest manufacturer of solid fuel burning appliances. We've been producing fine quality cast iron stoves and fireplaces continuously since 1853.

In the Firelight, we've combined advanced gas technology with the warm, traditional elements of cast iron. With proper care and use, your Jøtul stove will provide you with many years of safe, dependable and satisfying service. We appreciate your trust in welcoming our product into your home and invite your comment and appraisal of our efforts to provide you with the finest in home hearth products.

Please take a few minutes to familiarize yourself with this manual and the features of your Firelight gas stove.

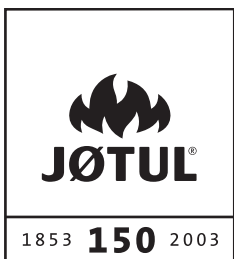


Table of Contents

Service Tools	3
Specifications	4
General Information	5
Safety Information	5
Installation Requirements	
Location	6
Hearth Protection	6
Clearances	7
Mantel & Trim	7
Alcove	7
Vent Requirements	8
Adding Restriction	8
Co-linear Hearthmount.....	9
Chimney Conversion	10
Vertical Termination	11
Horizontal Termination	12
Vent Terminal Clearances	13
Mobile Home Installation	14
Fuel Conversion	14
Gas Connection	17
Gas Pressure.....	17
High Altitude Adjustment	18
Air Shutter Adjustment	19
Log Set Installation	20
Wall Thermostat	20
Remote Control	20
System Check.....	21
Optional Blower Kit	22
Operation	23
Maintenance	24
Illustrated Parts Breakdown	25
Replacement Parts List.....	26
Lighting Instructions	Back Cover

THIS PRODUCT MUST BE INSTALLED BY A LICENSED PLUMBER OR GAS-FITTER WHEN INSTALLED IN THE COMMONWEALTH OF MASSACHUSETTS.

Jøtul GF 600 DV Firelight Direct Vent Gas Heater

Manufactured and Distributed by:
 Jøtul A.S.A.
 Fredrikstad, Norway
 Jøtul North America
 Portland, Maine

Test Standards

This appliance complies with National Safety standards and is tested and listed by Intertek Testing Services of



Middleton, Wisconsin to ANSI Z21.88-2002 • CSA 2.33-M02 and CAN/CGA 2.17--M91, CSA P4-01.2 for Canada.

DO NOT ATTEMPT TO ALTER OR MODIFY THE CONSTRUCTION OF THE APPLIANCE OR ITS COMPONENTS. ANY MODIFICATION OR ALTERATION WILL VOID THE WARRANTY, CERTIFICATION AND LISTING OF THIS APPLIANCE.



www.nficertified.org

We at Jøtul North America are dedicated to manufacturing the finest quality hearth products you can be assured will give you many years of safe, dependable service.

To ensure your confidence, we recommend that whenever possible, our products be installed and serviced by professionals who are certified by the National Fireplace Institute (NFI) or, in Canada, by Wood Energy Technical Training (WETT).



GF 600 DV Firelight Specifications

Input Rates

Natural Gas

40,000 BTU/hr. maximum input
28,600 BTU/hr. minimum input

Propane

40,000 BTU/hr. maximum input
30,900 BTU/hr. minimum input

Inlet Pressure:	MIN	MAX
Natural Gas:	5.0 WC (1.24 kPa)	7.0 WC (1.74 kPa)
Propane:	11.0 WC (2.74 kPa)	13.0 WC (3.23 kPa)

Manifold Pressure:	MIN	MAX
Natural Gas:	1.7 WC (.42 kPa)	3.5 WC (.87 kPa)
Propane:	6.4 WC (1.59 kPa)	10.0 WC (2.49 kPa)

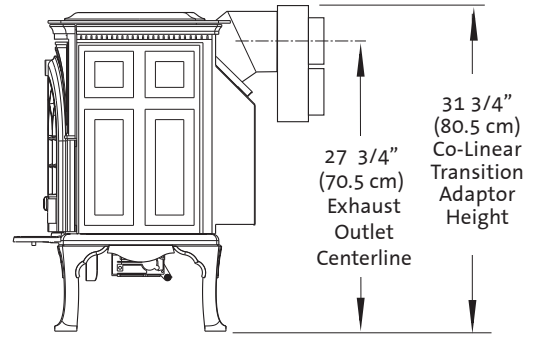
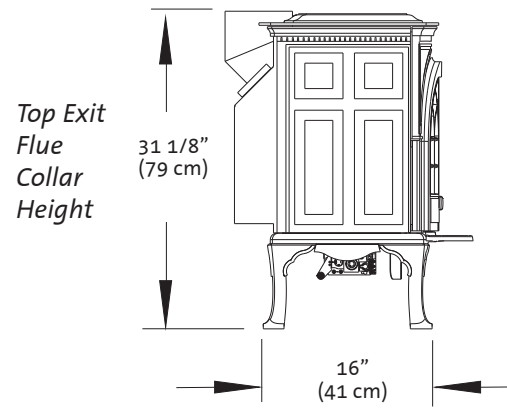
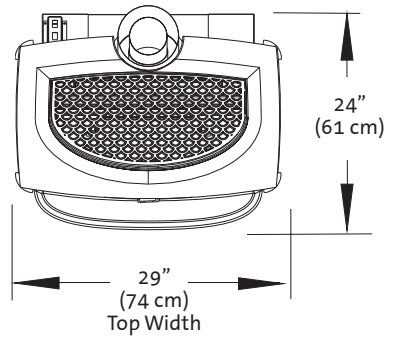
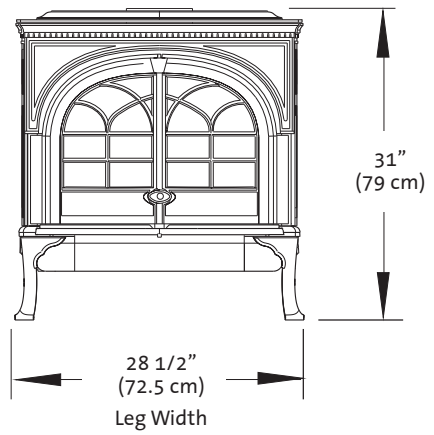
Piezo Ignitor / Standing Pilot

Weight: 260 lbs.

THIS FIREPLACE IS SHIPPED FROM THE FACTORY FOR USE WITH NATURAL GAS ONLY. IF USE WITH PROPANE IS DESIRED, THE APPLIANCE MUST FIRST BE CONVERTED USING THE FUEL CONVERSION KIT PROVIDED, #154391. CONVERSION SHOULD BE MADE BEFORE THE APPLIANCE IS INSTALLED.

Suggested Tools for Installation and Service

- External regulator (for Propane only)
- Piping which complies with local code
- Manual shutoff valve - T-Handle in MA
- Sediment trap - if required by code
- Tee joint
- Pipe wrench
- Pipe sealant
- 10mm open end wrench
- 1/2", 7/16" open end wrench or deep socket
- Phillips head screwdriver
- Flat head screwdriver
- 1/4" nut driver
- 4 mm allen wrench
- Gloves
- Safety glasses
- Torx T20 screwdriver
- Leak test solution
- Reciprocating Saw
- Power Drill



Co-linear Adapter (Simpson Dura-Vent #923GCL) dimensions.

General Information

- THIS HEATER MUST BE INSTALLED AND MAINTAINED BY A QUALIFIED SERVICE AGENCY.
- The installation and repair of this appliance must be done by a qualified service person. Failure to properly install and maintain this heater could result in an unsafe or hazardous installation, which may result in a fire, explosion, property damage, personal injury or loss of life.
- This appliance should be inspected before use and at least annually. More frequent cleaning may be required due to excessive lint from carpeting, bedding material, etc. It is imperative that control compartments, burners, and circulating air passageways of the appliance be kept clean.
- THIS APPLIANCE MUST NOT BE CONNECTED TO A CHIMNEY OR FLUE SERVING ANY OTHER APPLIANCE.
- The installation must conform to local codes. Your local Jøtul dealer can assist you in determining what is required in your area for a safe and legal installation. Some areas require a permit to install a gas burning appliance. Always consult your local building inspector, or authority having jurisdiction, to determine what regulations apply in your area.
- REMEMBER: Your local officials have final authority in determining if a proposed installation is acceptable. Any requirement that is requested by the local authority having jurisdiction, that is not specifically addressed in THIS manual, defaults to local code. In the absence of local codes, the installation requirements must comply with the current National codes. In the U.S., these requirements are established in the National Fuel Code, ANSI Z223.1.(NFPA 54). In Canada, the codes have been established in CAN/CGA B149 Fuel Installation Code.
- Installer l'appareil selon les codes ou règlements locaux, ou, en l'absence de tels règlements, selon les Codes d'installation CAN/CGA-B149.
- DO NOT OPERATE THIS STOVE IF ANY PART HAS BEEN UNDER WATER. call a qualified service technician to inspect the heater and to replace any part of the control system and any gas control which may have been under water.
- Ne pas se servir de cet appareil s'il a été plongé dans l'eau, complètement ou en partie. Appeler un technicien qualifié pour inspecter l'appareil et remplacer toute partie du système de contrôle et toute commande qui ont été plongés dans l'eau.

Glass Front

Do not operate the Firelight gas stove with the glass front removed, cracked, or broken. Replacement of the glass should be done by a licensed or qualified service person. Only remove glass for routine service. Always handle glass carefully.

Optional Forced Air Blower Kit

This appliance must be electrically connected and grounded in accordance with local codes or, in the absence of local codes, with the current NFPA 70-National Electric Code of CSA C22.1 - Canadian Electrical Code.

(The blower must be plugged into a grounded outlet).

Safety Information

During normal operation, the Firelight gas stove will reach high surface temperatures. Therefore:

- Due to the high operating temperatures, this appliance should be located out of traffic areas and away from furniture and draperies.
- Children and adults should be alerted to the hazards of high surface temperatures and should stay away to avoid burns and/or clothing ignition.
- Young children should be supervised while they are in the same room as the Firelight gas stove.
- Clothing or other flammable materials should not be placed ON or NEAR the Firelight gas stove. Surveiller les enfants. Garder les vêtements, les meubles, l'essence ou autres liquides à vapeur inflammables loin de l'appareil.
- NEVER store or use gasoline or any other flammable vapors or liquids in the vicinity of the Firelight gas stove.
- Never burn any other materials in your Firelight gas stove, it is strictly designed for use with natural gas or propane fuel ONLY.
- Any safety screen, glass or guard removed for servicing the appliance must be replaced prior to operating the appliance.

Installation Requirements

Location

In selecting the location, the aesthetic and functional use of the appliance are primary concerns. However, proper venting systems and access to the fuel supply are also important issues. Due to the high surface temperatures, you must also consider the proximity of traffic areas, furniture, draperies, etc.

This appliance may be located on or near conventional construction materials. **HOWEVER**, always maintain the proper clearances to combustibles, as this provides adequate ventilation air around the appliance.

The following clearances and hearth requirements are the minimum requirements when installing the Firelight gas stove near or on combustible surfaces. Always provide adequate access around the appliance for servicing and proper operation.

A combustible surface is anything that can burn (i.e. sheet rock, wall paper, wood, fabrics etc.). These surfaces are not limited to those that are visible and also include materials that are behind non-combustibles.

If you are not sure of the combustible nature of a material, consult your local fire officials. Remember, "Fire Resistant" materials are considered combustible: they are difficult to ignite, but will burn. Also, "fire-rated" sheet rock is considered combustible.

Hearth Requirements

The Firelight gas stove **CANNOT** be installed directly on carpeting, vinyl, linoleum or Pergo®.

If it is desired to install this appliance on any combustible material **OTHER THAN WOOD**, a floor pad must be installed that is either metal, wood or a listed hearth pad. This floor protection must extend the full width and depth of the appliance. It is not necessary to remove the carpeting, vinyl or linoleum from underneath the floor protection. See Fig. 1.

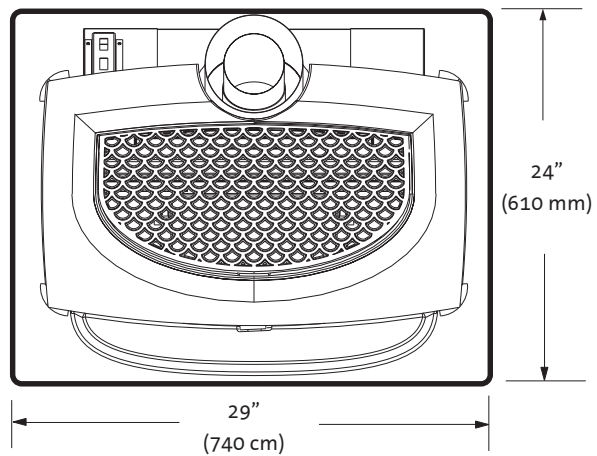


Figure 1. Minimum Hearth Protection

Stove and Vent Clearance Requirements

Minimum Clearances from the Stove to Combustibles: See Figs. 2-4.

- Rear: 3" (75 mm)
- Ceiling: 33" (840 mm)
- Corner: 3" (75 mm)
- Right Side: 4" (100 mm)
- Left Side: 10" (254 mm) - for access to Lighting Instruction plate

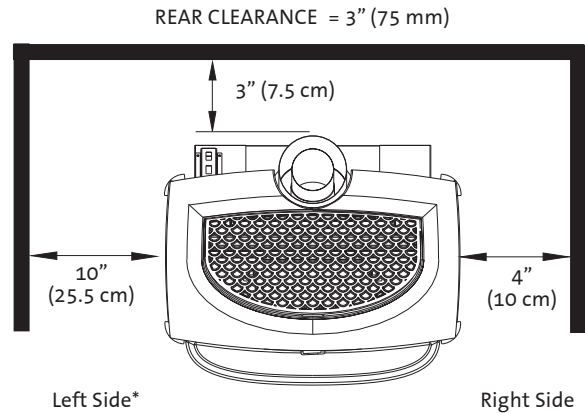
Minimum Clearances from the Vent Pipe to Combustibles:

Horizontal Run:

- Off the top of the pipe - 2" (50mm)
- Off the sides and bottom - 1" (25mm)

Vertical Run:

- All sides 1" (25mm)



*** Allow 10" on left side of the appliance for complete access to the lighting instructions and control valve.**

Figure 3. Parallel Installation Clearances

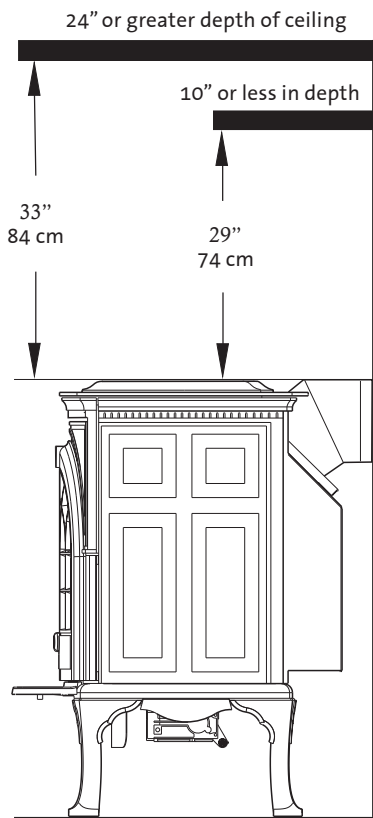


Figure 2. Mantel and Trim Clearances.

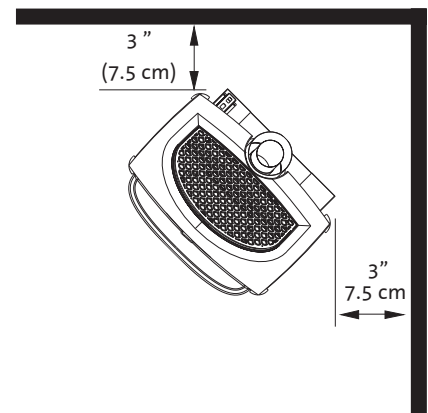


Figure 4. Corner Installation Clearance.

ALCOVE:

- MAXIMUM ALCOVE DEPTH: 24" (61 cm)
- MINIMUM ALCOVE WIDTH: 44" (112 cm)
- MINIMUM CEILING HEIGHT: 64" (163 mm)

Vent Requirements

There are three types of venting configurations approved for use with the Firelight gas stove:

- **Vertical Termination**
- **Hearthmount Co-Linear** (Vertical Termination)
- **Horizontal Termination**

The GF600 Firelight is approved for use with the vent systems listed below. Use parts of one manufacturer only - **DO NOT MIX VENT COMPONENTS FROM DIFFERENT MANUFACTURERS IN THE SAME SYSTEM.**

- **Simpson Dura-Vent GS**
- **Amerivent Corporation**
- **Security Vent Ltd.**
- **Selkirk Metalbestos**

Installation of any components not manufactured or approved by Jøtul or failure to meet all clearance requirements will void all warranties and could result in property damage or bodily injury.

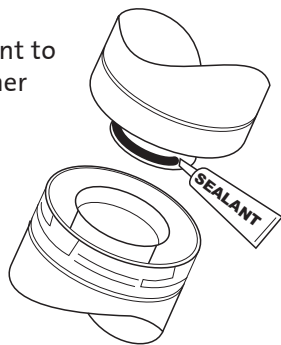
The approved vent configurations described in this manual are derived from extensive testing under controlled laboratory conditions. Gas appliance performance can be negatively affected by variables present in the installation environment, i.e.: atmospheric pressure, strong prevailing winds, adjacent structures and trees, snow accumulation, etc. These conditions should be taken into consideration by the installer and stove owner when planning the vent system design.

IMPORTANT

• **JOINT SEALING REQUIREMENT:**

Apply a 1/8" bead of high-temperature (750°F) sealant to the male section of the inner vent pipe. See Fig. 9. The cement should form a seal between the inner and outer pipes.

- NEVER modify any venting component or use a damaged venting component.
- The gas appliance and vent system must be vented directly to the outside of the building and never attached to a chimney serving a solid fuel or other gas appliance. Each direct vent gas appliance must have its own separate vent system. Common vent systems are prohibited.
- If the venting system is disassembled for any reason, re-install according to the manufacturer's installation instructions.



Vent Restriction

The GF 600 DV Firelight includes two rectangular Exhaust Restrictor plates and one square Air Inlet Restrictor Plate as shown in Figure 5. These are located in the parts bag. The plates are used to compensate for draft characteristics that would otherwise interfere with proper burner performance such as low heat output, weak flame picture, or inefficient combustion.

Exhaust Restrictor Plate Installation

- **Both Exhaust Restrictor Plates (#129642) MUST be installed in all Co-linear vent systems and any vertically terminated vent run exceeding 7 feet (210 cm) in length.**

1. Remove the Glass Panel and Log Set.
2. Using a 1/4" nut driver, remove the two sheet metal screws in the rear wall of the firebox ABOVE EACH exhaust outlet. See Figure 5.
3. Install a restrictor plate over the upper half of each exhaust hole and secure the plate using the same screws that were just removed.
4. Reinstall logs and glass.

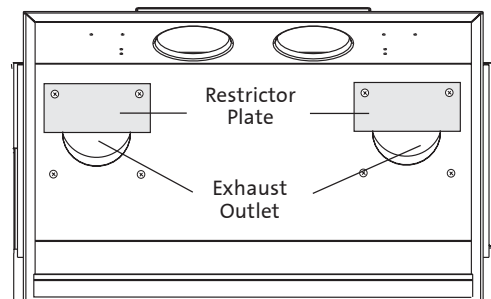


Figure 5. Exhaust Restrictor Plate installation.

Air Inlet Restrictor Plate Installation

- **The Air Inlet Restrictor (#129347) MUST be installed with any Co-linear Vent system.**

1. Remove the Glass Panel and Log Set.
2. Using a 1/4" nut driver, remove the two sheet metal screws (A) and Rear Log Shelf from the back of the firebox. See Figure 6.
3. Using the right hand sheet metal screw, reinstall the Log Shelf with the restrictor plate between the Shelf and the Back Wall. The plate should cover the lower right air inlet.
4. Reinstall logs and glass.

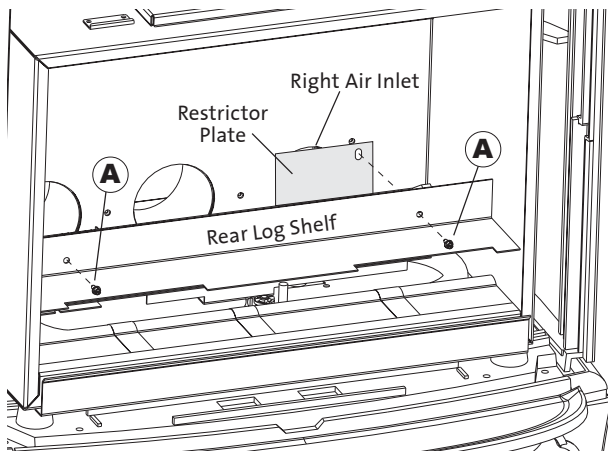


Figure 6. Air Inlet Restrictor Plate installation.

Co-linear Hearthmount Installation

The GF 600 DV Firelight can be installed using a Hearthmount Co-linear Flexible Vent System, designed for installation into a solid fuel burning masonry fireplace. See Figures 7 and 8.

- Refer to the vent manufacturer's instructions for venting components and installation details.
- Installation of Simpson Dura-Vent Co-linear adapter (#923GCL) directly off the rear of the stove. (No length of pipe prior to the adaptor).
- Use only 3" listed flexible gas vent liners may be used in this installation.

WARNING: FAILURE TO POSITION THE PARTS AND STOVE IN ACCORDANCE WITH THESE DIAGRAMS OR FAILURE TO USE ONLY PARTS SPECIFICALLY APPROVED FOR USE WITH THIS APPLIANCE MAY RESULT IN PROPERTY DAMAGE OR PERSONAL INJURY. BE SURE TO MAINTAIN THE PROPER CLEARANCES TO COMBUSTIBLES AS DEFINED IN THIS MANUAL AND IN THE INSTRUCTIONS PROVIDED WITH EACH VENT COMPONENT.

IMPORTANT NOTICE:

THE USE OF AN EXISTING CHIMNEY AS AN AIR INTAKE IS NOT COVERED UNDER THE ANSI Z21.88-1999-CSA 2.33-M99 TEST METHODS AND RESULTING ITS/WHI PRODUCT CERTIFICATION. THE CODE AUTHORITY HAVING JURISDICTION MUST BE CONSULTED PRIOR TO PROCEEDING WITH THIS INSTALLATION METHOD.

EXHAUST RESTRICTORS REQUIRED ON ALL CO-LINEAR INSTALLATIONS.

ALWAYS MAINTAIN THE PROPER CLEARANCES TO COMBUSTIBLES.

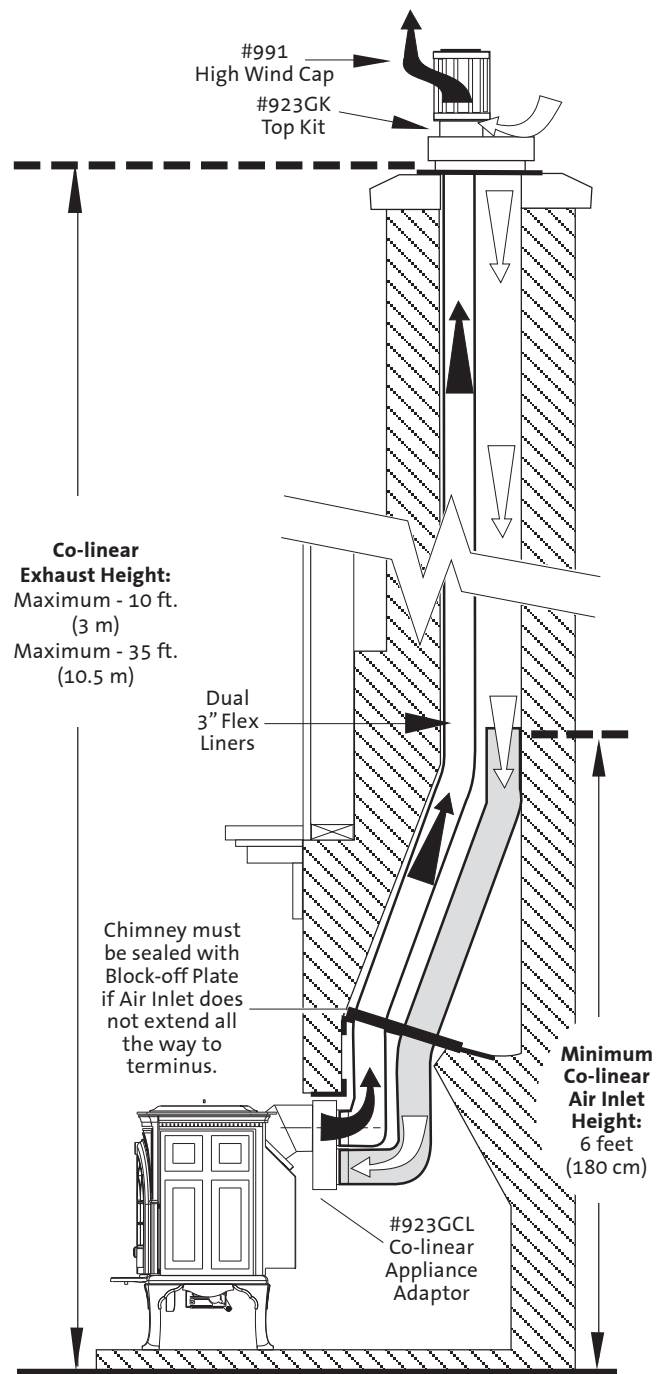


Figure 7. Co-linear Hearthmount Vent System

Simpson Dura-Vent Chimney Conversion Kit

The GF 600 DV Firelight is approved for use with Simpson Dura-vent Chimney Kits as shown in Figure 8. These installation requirements must be followed:

- In masonry chimney a fire-clay liner must be present the entire length of the chimney.
- The liner must have an inside dimension of 6" round or greater. (USE KIT #934)
- Prefabricated chimneys must be listed for the specific Simpson Dura-Vent Chimney Conversion Kit or a UL 103 listing. (USE KIT #931, #932, or #933)
- When venting immediately off the rear of the GF600 DV, the maximum horizontal depth must be less than 14" (including thimble depth). Any other horizontal run must be less than 24" in length.
- The two Exhaust Restrictor Plates and the Air Intake Restrictor Plate included with the stove must be installed according to the assembly instructions on page 8.

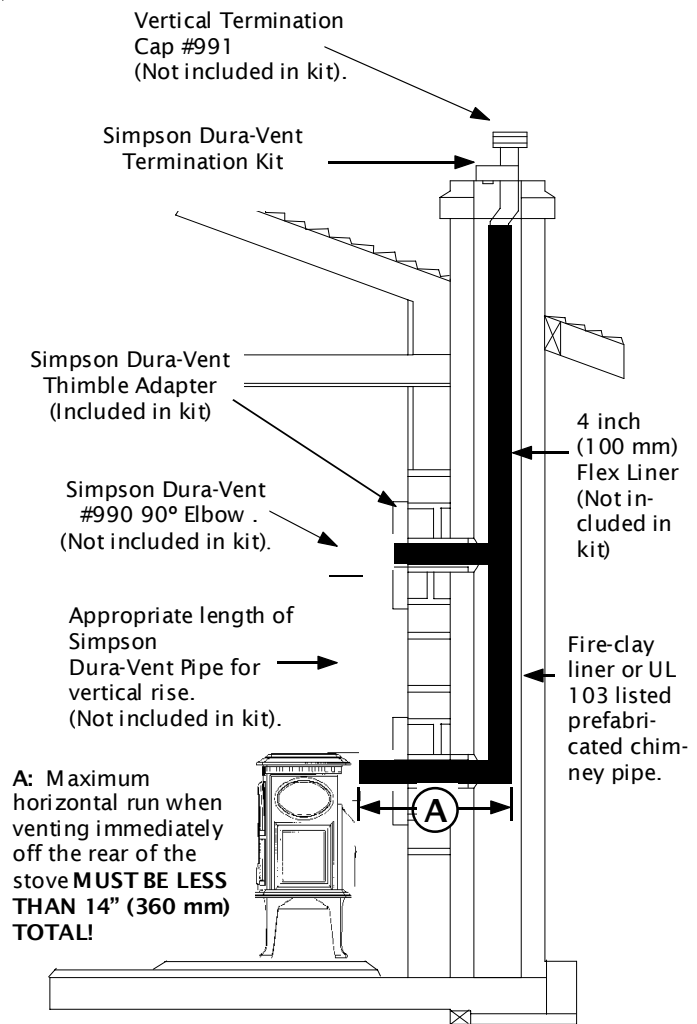


Figure 8. Vertical Vent System through Masonry or Prefabricated HT Chimney.

VERY IMPORTANT NOTICE:
 THE USE OF AN EXISTING CHIMNEY AS AN AIR INTAKE IS NOT COVERED UNDER THE ANSI Z21.88-1999-CSA 2.33-M99 TEST METHODS AND RESULTING ITS/WHI PRODUCT CERTIFICATION. THE CODE AUTHORITY HAVING JURISDICTION MUST BE CONSULTED PRIOR TO PROCEEDING WITH THIS INSTALLATION METHOD.

Vertical Venting and Termination

The GF 600 DV Firelight can be vertically vented through a roof or ceiling. Follow these guidelines

- Steep roofs, nearby trees, or predominantly windy conditions, can promote poor draft or down draft conditions. In such cases, an increase to the height of the vent may improve performance.
- If an offset or elbow is necessary in the vertical rise, the vent pipe must be supported every three feet to avoid excessive stress on the offsets. Use listed Wall Straps from any of the approved vent suppliers.
- Whenever possible, use 45° elbows instead of 90° elbows as they offer less restriction to the flow of flue gases and intake air.
- A firestop is required at every floor penetration. The opening should be framed to 10" X 10" inside dimension. **A listed wall thimble is required as a firestop.**
- Any venting that is exposed above the first floor must be enclosed regardless of attic space or living space. Always maintain the required 1" clearance from all sides of the vertical vent system.
- **IT IS NECESSARY to add restriction** to a vertical vent installation to compensate for excessive draft. See the Adding Draft Restriction section on page 8.
- **GAS VENT HEIGHT:** In no case shall any discharge opening on the cap be less than 18" (457mm) horizontally from the roof surface.

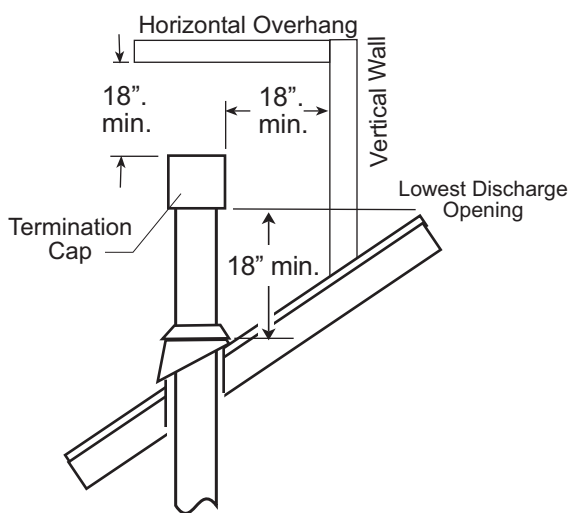
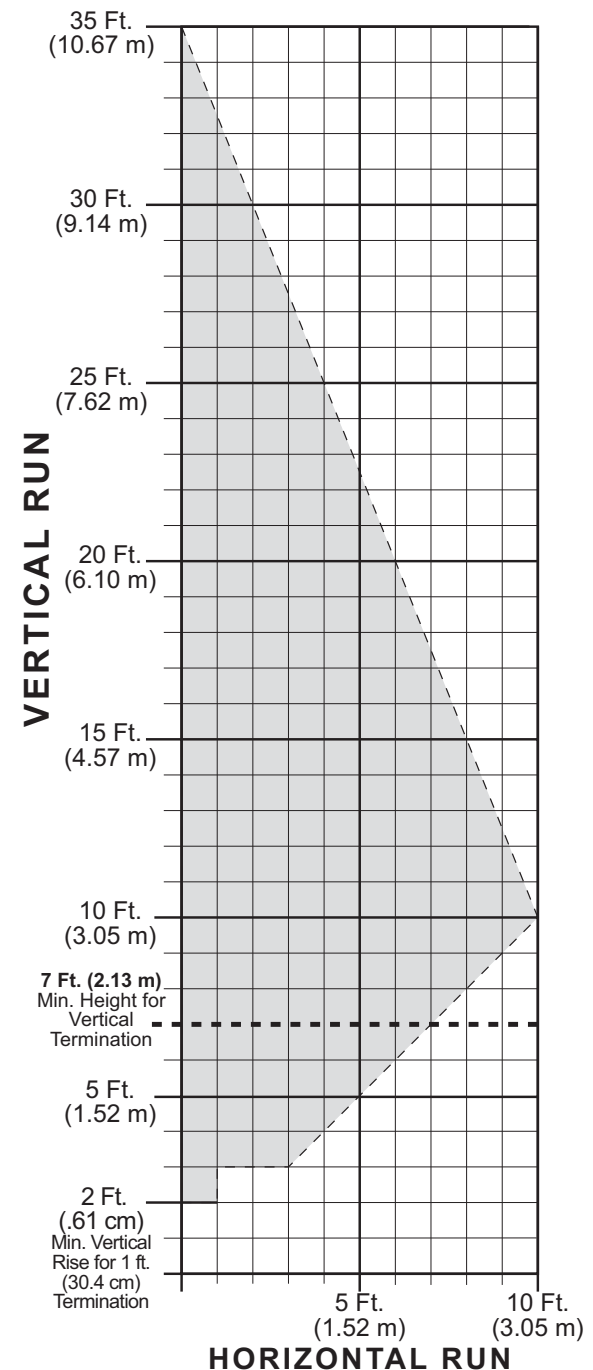


Figure 9. Vent height and clearance from adjacent surfaces.

ANY VENTING WITH A VERTICAL RISE MUST TERMINATE (END) WITHIN THE SHADED AREA.

Restrictors required on:

- All Co-linear (flex pipe)
- All coaxial (rigid pipe) venting higher than 7 feet.
- Both restrictors must be used when restriction is required.
- Always maintain the proper clearances to combustibles.



Horizontal Termination

- The horizontal termination cap must maintain a 3" clearance to any overhead combustible projections that are 2 1/2" or less. It must also maintain a 12" clearance from projections that exceed 2 1/2". See Figure 9.
- **Minimum vertical rise** from the top exit position is a 24" section vent pipe. See Fig. 10.
- **A horizontal vent run made directly off the rear of the stove must terminate ONLY with a 36" Snorkel Cap.**
The maximum horizontal run shall include no more than a **single 24"** section of pipe. See Figure 11.
- The termination cap must not be recessed into the wall or siding. Do not fill air space in wall around termination cap with any type of insulation.
- A minimum 11" X 11" square hole is required for the proper pipe clearance through a wall penetration. A 10" x 10" opening is suitable with use of Simpson Dura-Vent Wall Thimble #942.
- Any horizontal run of vent must be level or have a 1/4" rise for every foot of run toward the termination cap.
- Prevent potential damage to vinyl siding with installation of a Vinyl Siding Standoff between the vent cap and the exterior wall.

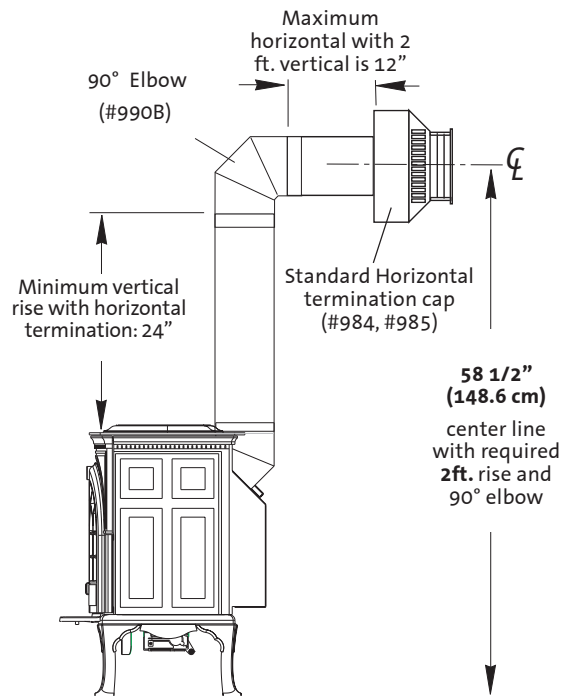


Figure 10. A vertical run in a horizontal termination must be at least 2 feet (61 cm).

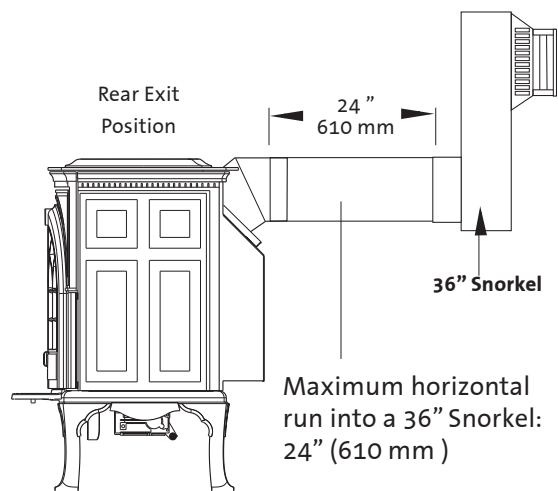
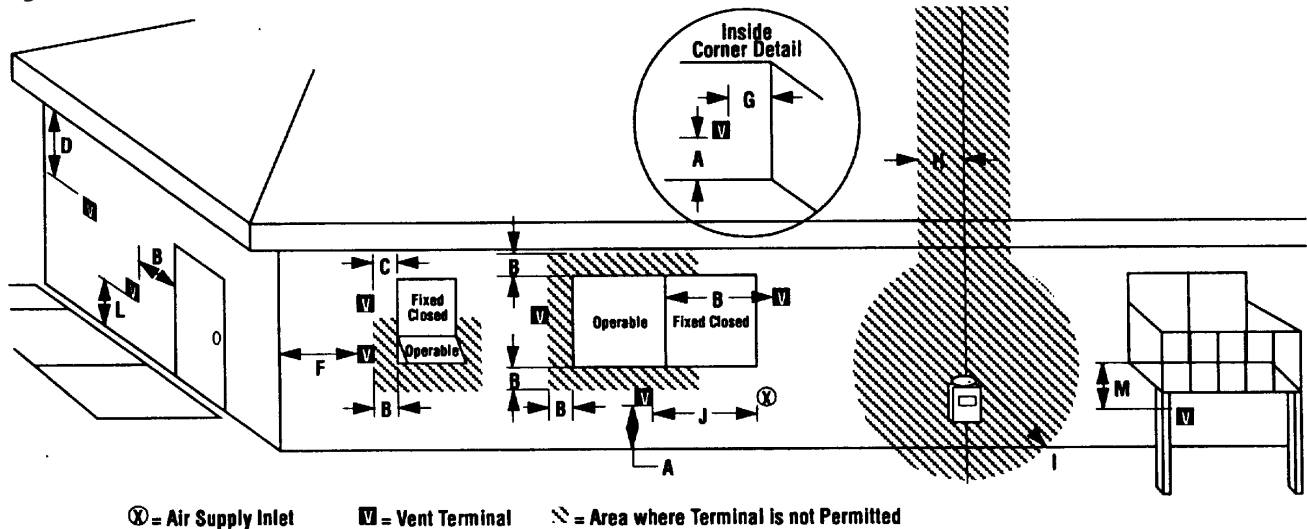


Figure 11. Rear Exit Horizontal Termination.

Figure 12. Horizontal Termination Clearance



- A** = Clearance above grade, veranda, porch, deck, or balcony: ***12 inches (30 cm) minimum.**
- B** = Clearance to window or door that may be opened: **9 inches (23 cm) minimum.** We recommend 12 inches (30 cm) minimum to help prevent condensation.
- C** = Recommended clearance to permanently closed window: **9 inches (23 cm) minimum.** We recommend 12 inches (30 cm) minimum to help prevent condensation on the window.
- D** = Vertical clearance to ventilated soffit located above the terminal within a horizontal distance of 2 feet (60 cm) from the centerline of the terminal: **18 inches (46 cm) minimum.**
- E** = Clearance to unventilated soffit: **12 inches (46 cm) minimum.**
- F** = Clearance to outside corner: **9 inches (23 cm) min.** Jøtul N.A. strongly recommends 12 inches (30 cm), particularly where windy conditions are prevalent.

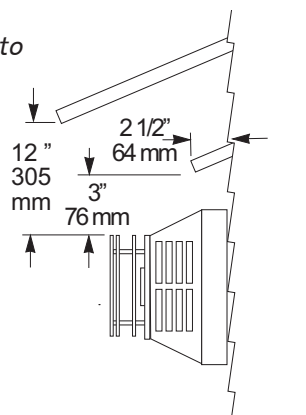
- G** = Clearance to inside corner: **6 inches (16 cm) minimum.** Jøtul N.A. strongly recommends 12 inches (30 cm), particularly where windy conditions are prevalent.
- H** = *Not to be installed above a meter/regulator assembly **within 3 feet (90 cm)** horizontally from the centerline of the regulator.
- I** = Clearance to service regulator vent outlet: **U.S. - 3 feet CAN. 6 feet (1.8 m) minimum.**
- J** = Clearance to nonmechanical air supply inlet to building or the combustion air inlet to any other appliance: ***12 inches (30 cm) minimum.**
- K** = Clearance to a mechanical air supply inlet: ***6 feet (1.8 m) minimum.**
- L** = ** Clearance above paved sidewalk or a paved driveway located on public property: ***7 feet (2.1 m) min.**
- M** = Clearance under veranda, porch, deck, or balcony: ***12 inches (30 cm) minimum.**¹

* As specified in CGA B149 Installation Codes. Note: Local Codes and Regulations may require different clearances.

** A vent shall not terminate directly above a sidewalk or driveway which is located between two single family dwellings and serves both dwellings.*

¹ Only permitted if veranda, porch, deck, or balcony, is fully open on a minimum of two sides beneath the floor.*

Figure 13. Termination clearance to overhangs.



Mobile Home Installation

The GF 600 DV Firelight can be installed for use in a mobile home in the U.S. and Canada provided:

1. The stove is secured to the floor of the mobile home. Use Jøtul Floor mounting kit #750304.
2. The stove is installed in accordance with Title 24 CFR, Part 3280- Manufactured Home Construction and Safety Standard, in the U.S. Comply with CSA Z240.4, Gas Equipped Recreational Vehicles and Mobile Housing, in Canada.
3. Always contact your local officials about installation restrictions and requirements in your area.

THIS APPLIANCE MAY BE INSTALLED AS AN OEM INSTALLATION IN A MANUFACTURED (MOBILE) HOME AND MUST BE INSTALLED IN ACCORDANCE WITH THE MANUFACTURER'S INSTRUCTIONS AND THE MANUFACTURED HOME CONSTRUCTION AND SAFETY STANDARD, TITLE 24 CFR, PART 3280, STANDARD FOR MANUFACTURED HOME INSTALLATION, ANSI/NCBCS A255.1 OR STANDARD FOR CANADA, CSA Z240.4. THIS APPLIANCE IS ONLY FOR USE WITH THE TYPE OF GAS THAT IS INDICATED ON THE STOVE'S RATING PLATE. AN LPG GAS CONVERSION KIT IS PROVIDED WITH THE GF 600 DV FIRELIGHT GAS STOVE.

THIS APPLIANCE MAY BE INSTALLED IN AN AFTERMARKET PERMANENTLY LOCATED, MANUFACTURED (MOBILE) HOME, WHERE NOT PROHIBITED BY LOCAL CODE.

CET APPAREIL PEUT ETRE INSTALLE DANS UN MAISON PREFABRIQUEE (MOBILE) DEJA INSTALLEE A DEMEURE SI LES REGLEMENTS LOCAUX LE PERMETTENT.

CET APPAREIL DOIT ETRE UTILISE UNIQUEMENT AVEC LES TYPES DE GAS INDIQUES SUR LA PLAQUE SIGNALÉTIQUE. NE PAS L'UTILISER AVEC D'AUTRES GAS SAUF SI UN KIT DE CONVERSION CERTIFIE EST INSTALLE.

Fuel Conversion

The GF 600 DV Firelight gas stove is shipped from the factory equipped as a NATURAL GAS unit. However, the stove is shipped with the necessary gas conversion kit to convert the stove to burn propane gas. These kits contain all the necessary components needed to complete the task and ensure safe operation, including labels that must be affixed to the stove.

WARNING:

THE CONVERSION KIT IS TO BE INSTALLED BY AN AUTHORIZED JØTUL SERVICE TECHNICIAN IN ACCORDANCE WITH THE MANUFACTURER'S INSTRUCTIONS AND ALL CODES AND REQUIREMENTS OF THE AUTHORITY HAVING JURISDICTION. FAILURE TO FOLLOW THESE INSTRUCTIONS COULD RESULT IN SERIOUS INJURY OR PROPERTY DAMAGE. THE QUALIFIED AGENCY PERFORMING THIS WORK ASSUMES RESPONSIBILITY FOR THIS CONVERSION.

Conversion Kit (LPG #154391, NG # 154392)

Tools required:

- 1/4" nut driver
- 1/2" & 13 mm open end wrench or deep-well socket
- Torx T20 or slotted screwdriver
- 7/16" open end wrench
- 3mm allen wrench
- 4 mm allen wrench

Conversion Kit Contents:

- 1 regulator tower labeled for propane
- 3 regulator tower screws
- 1 burner orifice (3.3 mm for NG, #48 for LP)
- 1 pilot orifice (#51 for NG, #30 for LP)
- Label A - to be completed and applied to the back of the stove
- Label B - apply to the rating plate
- Small valve label - apply to valve body
- Conversion instructions

IN CANADA:

THE CONVERSION SHALL BE CARRIED OUT IN ACCORDANCE WITH THE REQUIREMENTS OF THE PROVINCIAL AUTHORITIES HAVING JURISDICTION AND IN ACCORDANCE WITH THE REQUIREMENTS OF THE CAN1-B149.1 & .2 INSTALLATION CODE.

Gas Conversion Procedure

All numbers in () refer to the exploded view on page 25 of this manual.

1. Turn off gas supply to the stove.
2. Remove the top griddle (7).
3. Locate the two set screws near the top of each side casting (3, 8). Using a 3mm allen wrench thread the set screws out. Lift off the top panel of the stove (6).
4. Open the front doors of the stove using the stove tool.
5. Release the glass clips (17) atop the firebox (22) and slowly lift glass assembly (16) up and out.
6. Remove the four logs (36) using care not to scratch or damage the logs.
7. Using a 1/4" nut driver remove the two hex head screws that secure the air divider (21) to the front log support (18) and lift out of the firebox (22). See Figure 12.

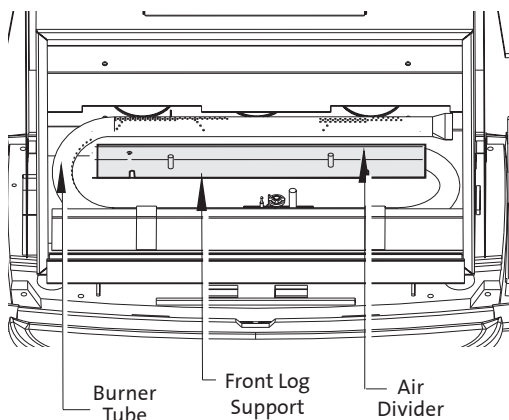


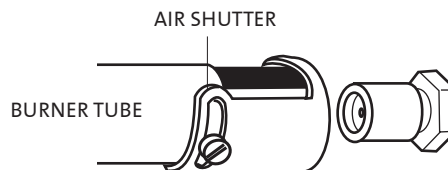
Figure 12. Remove the Air Divider and Log Support.

8. Shift the burner tube (19) to the right and lift out. Note: There are no screws securing the burner tube to the floor of the firebox. Simply lift the rear of the tube slightly and then lift the entire tube.
9. Change the main burner orifice. Using a 1/2" open ended wrench or deep-well socket remove the burner orifice from the brass orifice holder. Replace with the appropriate orifice supplied in the kit.

3.3 mm for NG
#48 for LP

10. Adjust the air shutter on the burner tube (19) to allow for the proper mixing of air and gas. See Fig. 13.

1/2" open for natural
7/8" open for propane



ATTENTION: Air shutter should never be LESS than 1/8" open.

Figure 13. Air shutter adjustment.

11. Change the Pilot Orifice. **From within the firebox**, pull the pilot hood off the pilot assembly. See Fig. 14. Using the 4 mm allen wrench included with the conversion kit, remove the original pilot orifice (counterclockwise). Replace with the appropriate orifice:
#51 for natural gas
#30 for propane
12. Tighten orifice into the base of the pilot assembly. Be sure the orifice is **tightly secured to prevent bypass leakage**. Replace pilot hood onto the pilot assembly.

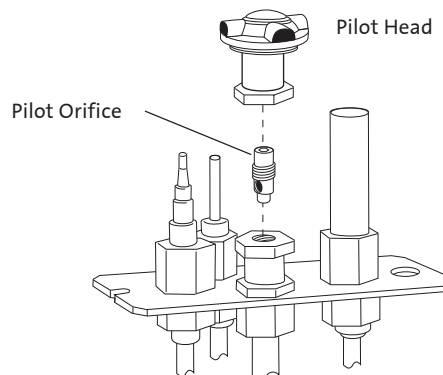


Figure 14. Remove pilot head and pilot orifice.

13. Replace the burner tube (19), front log support (18) and air divider (21), be sure to secure with the two 1/4" hex head screws.
14. Install the log set (36), embers and glass assembly (16). See page 18 for log set placement.
15. Reinstall the top panel (6) and top griddle (7). Be sure to secure with set screws from step 3.
16. Locate the decorative cast iron skirt (4) between the left front and rear legs. Use a 13 mm wrench or socket to remove the bolt that secures the skirt to the base of the stove to improve access to the valve. See Fig. 15.



Figure 15. Remove the valve skirt for better access.

17. Replace the variable regulator. Using a Torx T-20 screwdriver, remove the three specialty screws from the HI/LO regulator on the front of the valve. Note: To help identify which screws to remove, refer to the new regulator in the kit. See Figure 16.
18. Remove the regulator tower and the gasket. Be sure to remove the black rubber gasket from the valve.
19. Install the new variable regulator tower from the kit. Be sure that the gasket is properly positioned and **tighten screws securely**.
20. Install the identification labels to the stove so that they can be seen by any person that may be servicing the stove.
 - Label A: Apply to back of stove.
 - Label B: Apply to the Rating Plate.
 - Small valve sticker: Apply to valve.

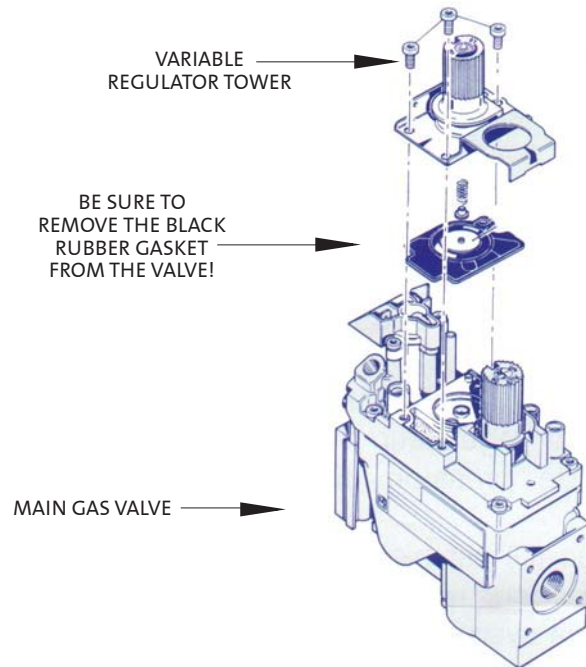


Figure 16. Regulator parts.

21. Reassemble the stove, apply gas to the system and check for leaks using a soapy water solution.

NEVER USE AN OPEN FLAME TO CHECK FOR GAS LEAKS.

It is important that the correct gas pressure be established at the time of installation. For more details see the Gas Pressure section of this manual (page 17).

ALWAYS REFER TO THE LIGHTING INSTRUCTIONS ON THE INSIDE BACK COVER OF THIS MANUAL WHEN LIGHTING THE STOVE.

Gas Connection

NOTE: IF THE OPTIONAL BLOWER KIT (# 129161) IS TO BE INSTALLED ON THE STOVE AT THE TIME OF THE INSTALLATION OR IN THE FUTURE, THE GAS SUPPLY LINE SHOULD BE INSTALLED AS CLOSE TO THE FLOOR AS POSSIBLE. USE OF A 90° ELBOW DIRECTLY OFF THE VALVE TO ALLOW FOR ADEQUATE CLEARANCE FOR THE BLOWER. See Figure 15.

The gas supply line connection is made to the valve just inside the left rear leg. The Gas supply line should be 3/8" or 1/2" diameter, or the appropriate size to provide sufficient gas pressure to the valve regardless of the input setting.

The use of Flexible Gas Appliance Connectors is acceptable in many areas in the U.S., however, Canadian methods vary depending on local code.

ALL INSTALLATIONS MUST COMPLY WITH LOCAL CODE OR IN THE ABSENCE OF LOCAL CODE, MUST COMPLY WITH THE MOST RECENT EDITION OF THE NATIONAL FUEL GAS CODE ANSI Z223.1/NFPA 54 OR CAN-B149.

All codes require a gas shutoff valve (gas cock) and union to be installed in the supply line and in the same room as the appliance for servicing and maintenance. See Figure 17.

T-handle gas cocks are required in Massachusetts in compliance with Code 248 CMR.

Secure all joints tightly using appropriate tools and sealing compounds (for propane units be sure to use compounds that are propane resistant). Turn on gas supply and test for gas leaks using a soapy water solution. Never use an open flame to check for leaks.

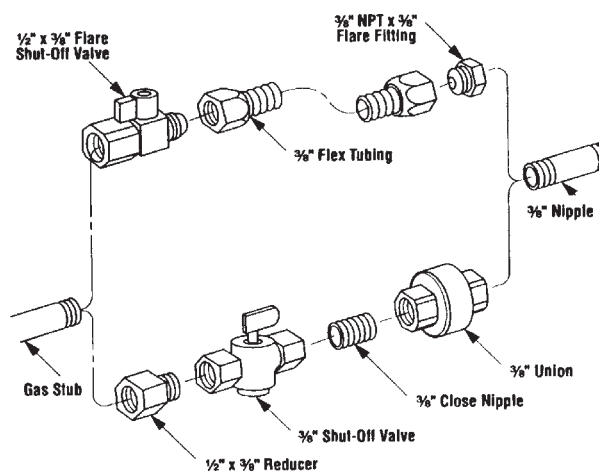


Figure 17. Gas supply valve types and fittings.

Leak test:

1. Mix a 50-50 solution of water and dish soap.
2. Light appliance- see lighting instructions on page 22 of this manual or on the stove's rating plate.
3. Brush or spray all joints and connections with the soapy water solution.
4. If bubbles appear at any connection or seam or a gas odor is detected immediately turn gas control knob to the OFF position.
5. Tighten or reconnect the leaking joint and retest for any gas leaks.

Gas Pressure

It is important that the correct pressure is established at the time of the installation. Proper gas pressure provides a consistent flow of gas to the appliance and is instrumental in checking for gas leaks. The gas control valve on the stove is equipped with pressure test points for gauge connections. The gauge connections are located on the front of the valve under the On/Off/Pilot- knob. See Fig. 18. Gauge connections are identified by:

- **E** for **inlet** or supply pressure (the amount of gas coming to the valve.)
- **A** for **manifold** pressure (the amount of gas that is coming out of the valve to the burner.)

ALWAYS TEST PRESSURES WITH VALVE CONTROL KNOB SET ON HIGH.

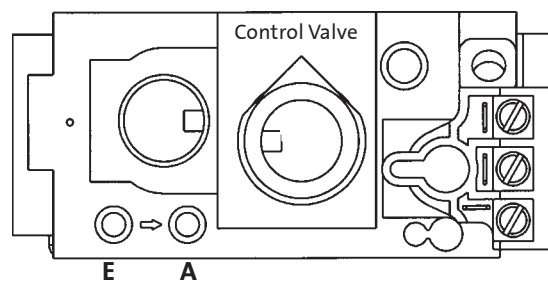


Figure 18. Inlet and Manifold pressure test points.

INLET GAS PRESSURES (inches water column)		
	MIN	MAX
NATURAL GAS	5.0 WC	7.0 WC
PROPANE	11.0 WC	13.5 WC

The appliance and its main gas valve must be disconnected from the gas supply piping system during any pressure testing on that system at test pressures in excess of 1/2 psig (3.5kPa).

The appliance must be isolated from the gas supply line by closing its individual manual gas shut-off valve (gas cock) during any pressure testing of the gas supply piping system that is equal to or exceeds pressures of 1/2 psig (3.5kPa).

MANIFOLD PRESSURES		
	<u>MIN</u>	<u>MAX</u>
NATURAL GAS	1.7WC	3.5 WC
PROPANE	6.4 WC	10.0 WC

ATTENTION:
NEVER ALLOW THE INLET GAS PRESSURE TO EXCEED 13.5" WC (OR 1/2"PSIG) AS SERIOUS DAMAGE TO THE VALVE CAN RESULT.

High Altitude Adjustment

When installing the GF 600 DV Firelight gas stove in high altitude situations (above 2500') it becomes necessary to compensate for the thinner air (less volume of oxygen per cubic foot). High altitudes affect the atmospheric pressure and heat value of gaseous fuels. Lower oxygen content in the air and lower gas viscosity require the use of a different orifice to achieve efficient, clean combustion at the burner tube.

In the U.S.,

THE DERATING KIT MUST BE INSTALLED BY AN AUTHORIZED SERVICE TECHNICIAN IN ACCORDANCE WITH THE MANUFACTURER'S INSTRUCTIONS AND ALL CODES AND REQUIREMENTS OF THE AUTHORITY HAVING JURISDICTION. THE INFORMATION STICKER MUST BE FILLED OUT BY THE INSTALLER AND ADHERED TO THE APPLIANCE AT THE TIME OF THE CONVERSION. THE QUALIFIED SERVICE AGENCY PERFORMING THIS WORK ASSUMES RESPONSIBILITY FOR THIS DERATING.

In Canada,

This unit has been tested for installation at high altitudes in accordance with Canadian test standard CAN/CGA-2.17.

THE DERATING SHALL BE CARRIED OUT IN ACCORDANCE WITH THE REQUIREMENTS OF THE PROVINCIAL AUTHORITIES HAVING JURISDICTION AND IN ACCORDANCE WITH THE REQUIREMENTS OF THE CAN1-B-149.1 AND .2 INSTALLATION CODE.

For installations from 610 - 1370 meters (2,000-4,500 ft.) the orifice size is 3.3 mm for natural gas and #48 mm for propane.

SEE THE HIGH ALTITUDE ORIFICE CHART on the page 19. For high altitude installations, consult your local gas distributor or the authority having jurisdiction for proper rating methods. If the installer must convert the unit to adjust for varying altitudes, the information sticker must be filled out by the installer and applied to the appliance at the time of the conversion.

Derating Procedure

To derate this unit, install the appropriate orifice per the High Altitude chart.

1. Remove the two 1/4" hex head screw that holds the burner tube/log support to the bottom of the stove.
2. Remove the burner tube/log support to expose the main burner orifice.
3. Remove the orifice and replace with the appropriate one from the high altitude kit.
4. Be sure to attach the high altitude conversion sticker provided with the kit to the rating plate on the appliance.

THIS STOVE HAS BEEN CONVERTED FOR USE AT AN ALTITUDE OF: _____			
Orifice Size: _____		Manifold Press. _____	
Input Btu/Hr. _____		Fuel Type _____	
Date of Conversion _____			

Figure 19. High Altitude Conversion Label. This sticker is included in all high altitude kits and must be applied to the stove when converted for high altitude.

HIGH ALTITUDE ORIFICE CHART

Gas Type	Orifice Size	Elevation	Part Number
Natural Gas	3.3 mm	0-2000 ft. (0-610 m)	129666 Orifice only
Natural Gas	3.2 mm	2001-4500 ft. (611-1370 m)	154393 Kit
Propane	#48	0-2000 ft. (0-610 m)	129407
Propane	#48	2001-4500 ft. (611-1370 m)	No Derate

Air Shutter Adjustment / Flame Appearance

The GF 600 DV FIRELIGHT gas stove is shipped from the factory equipped as a NATURAL GAS STOVE. If the stove is converted for propane, it will be necessary to adjust the air shutter on the burner tube to achieve the proper gas to air mixture. The proper air shutter settings are:

1/2" open for natural

7/8" open for propane

The air shutter can also help achieve the desired flame appearance. Generally, flame appearance is a matter of preference, however most people enjoy a warm yellowish flame.

Air Shutter Too Open - the appliance will generate a flame that is blue and transparent, or an "anemic" flame.

Air Shutter Too Closed - the appliance will generate very long yellow flames resulting in soot. Sooting produces black deposits on the logs, on the inside walls of the appliance, and potentially on the exterior termination cap.

Sooting is caused by incomplete combustion in the flames and lack of combustion air entering the air shutter opening.

To adjust the air shutter, remove the burner tube and using a phillips head screwdriver loosen the screw at the air shutter and adjust accordingly. Be sure to retighten the screw that holds the air shutter setting. Reassemble the stove and close the door. Allow stove to burn 30 minutes on the HIGH setting, observing the flame continuously. If the flame appears weak, slow, or sooty, repeat the process described above until the flame is as desired. See Fig. 13.

WARNING:

AIR SHUTTER ADJUSTMENTS SHOULD ONLY BE PERFORMED ONLY BY A QUALIFIED PROFESSIONAL SERVICE TECHNICIAN.

Install the Log Set

The four-piece log set is packaged in bubble wrap inside the firebox.

Do not handle the log set with your bare hands. Always wear gloves to prevent skin irritation from the ceramic fibers.

- 1. Remove the Grille and Top Plate** from the stove. Release the Glass Clips on top of the firebox. Lift the Glass Panel straight up and out of the stove. Remove the log set package.
- 2. Install the Rear Log**, oriented as shown in Fig. 20. Place the log on the shelf (Rear Log Support) against the back wall of the firebox. Push it over to the right rear corner.
- 3. Install the Front Log** on the Log Support over the center of the burner tube. The pins in the Front Log Support will engage with holes in the bottom of the Front Log.
- 4. Install the Cross-over Log and Left Log** as shown in Fig. 21. Engage the pins in the Front Log with the corresponding holes in the bottoms of the upper logs and position the other ends in the notches on the Rear Log.

Placement of the Embers

The package of Ember stones, located in the hardware bag, will simulate glowing coals when the burner is operating. For best results, spread the stones evenly across the burner tube screen. "Pea" size embers create the best appearance, while too large a "chunk" can create long stringy yellow flames. All of the embers do not have to be used. See Fig. 21.

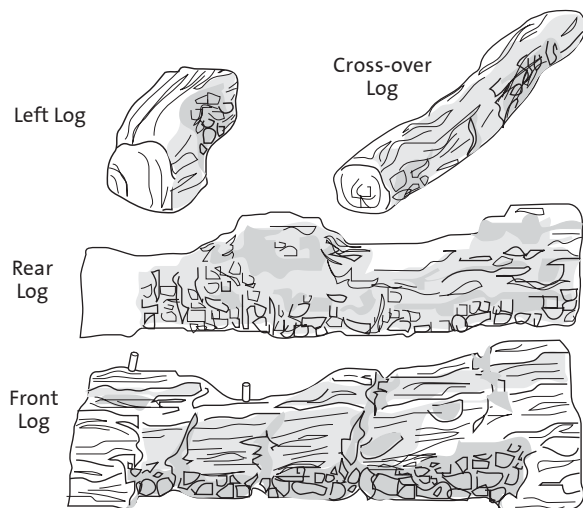


Figure 20. GF 600 DV Log set parts.

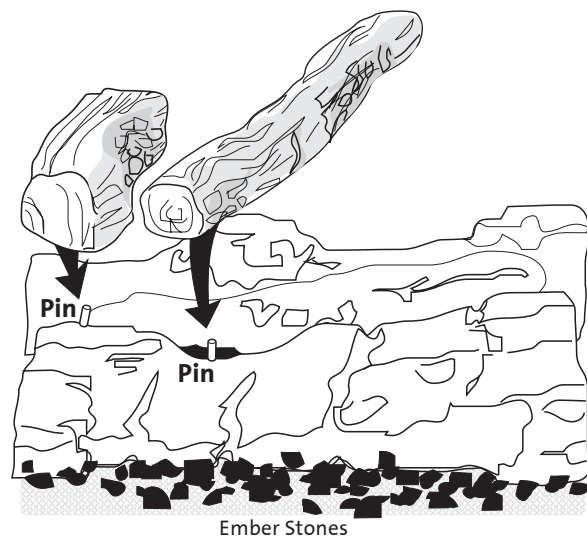


Figure 21. Positioning the top logs and ember stones.

Optional Controls

Wall Thermostat

Use only a 750 millivolt DC two-wire circuit thermostat, placed in the same room as the heater, typically 5' off the floor. Avoid drafty areas or any area that may affect the accuracy of the thermostat.

The thermostat should be connected to the stove using a minimum of 16 gauge wire with a maximum length of 35 feet of wire.

Connect the two thermostat wire leads to the two lower terminals on the terminal block located on the valve. Do not overtighten the connections. IT IS NOT NECESSARY TO DISCONNECT ANY OTHER WIRES. See Fig. 22.

At the thermostat, the two wires should be connected to the two connection screws on the thermostat base plate per the manufacturer's instructions.

For thermostatic operation, the On/Off/T-Stat switch must be in the T-stat position, and the pilot light must be on.

Remote Control

When using a remote, the remote receiver should be wired to the terminal block the same way the thermostat would be. See the instructions above.

Follow the operating instructions included with the Remote Control unit.

CAUTION:
LABEL ALL WIRES PRIOR TO DISCONNECTION WHEN SERVICING THE CONTROLS. WIRING ERRORS CAN CAUSE IMPROPER OR DANGEROUS OPERATION. ALWAYS VERIFY PROPER OPERATION AFTER SERVICING THE APPLIANCE.

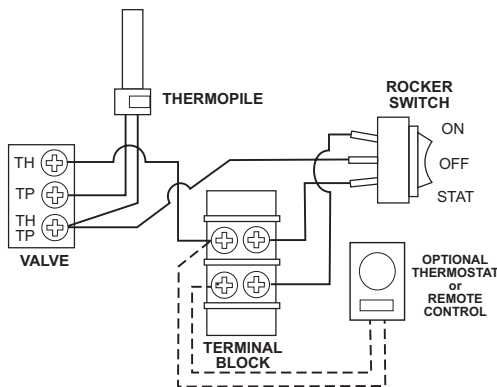


Figure 22. Accessory wiring diagram.

System Check

- PURGING THE GAS LINE:** When lighting the appliance for the first time, it will take a few moments to clear the gas line of air. Once this purge is complete, the appliance will operate as described in the lighting instructions. See the inside back cover of this manual or the stove Rating Plate attached the bottom of the stove. All subsequent lightings of the stove will not require purging the gas line unless the supply line is shut off.
- PILOT FLAME:** The pilot flame should be steady - not lifting or floating. The flame should be blue in color around the pilot hood, with traces of yellow toward the outer edges.

The pilot flame should engulf the top 3/8" of the thermopile (to generate millivolt current) and the top 1/8" of the thermocouple. The pilot flame should project out of the pilot hood 1" at all three ports. See Figs. 23.

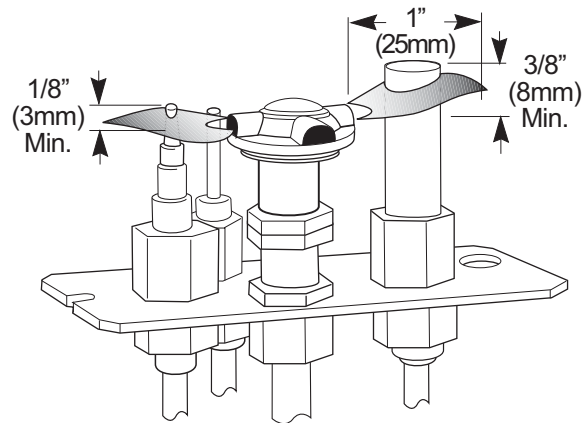


Figure 23. Correct pilot flame appearance.

- 3. BURNER ADJUSTMENT:** The Jøtul GF 600 DV Firelight gas stove is equipped with a variable gas control valve that provides easy adjustment of the flame height, appearance, and heat output. To adjust the flame between the HI and LOW setting, rotate the HI/LOW knob, located in the center of the valve face. **Flame height will adjust approximately 1.0" to 1.5" between the LOW and HIGH settings. See Fig. 24.**

NO SMOKE OR SOOT SHOULD BE PRESENT. CHECK LOG PLACEMENT IF ANY SOOT OR SMOKE IS DETECTED. IF SOOT OR SMOKE PERSISTS, THE AIR SHUTTER MAY NEED TO BE ADJUSTED.

See Air Shutter/Flame Appearance section of this manual for proper air shutter settings and adjustments. Note: the more offsets there are in the vent system, the greater the need for an air shutter adjustment. See page 19.

WARNING:
AIR SHUTTER ADJUSTMENTS SHOULD ONLY BE PERFORMED BY A QUALIFIED PROFESSIONAL SERVICE TECHNICIAN.

CAUTION:
DO NOT ATTEMPT TO ALTER THE FLAME APPEARANCE BY POSITIONING THE GAS VALVE IN ANY OTHER POSITION OTHER THAN THE FULL "ON" POSITION.

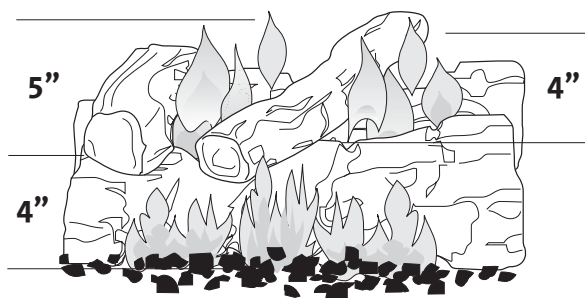


Figure 24. Flame appearance on the "high" setting after approximately 15 to 20 minutes operation.

Optional Blower Kit Installation

1. Unpack the blower kit. Use a 10mm wrench to remove the Mounting Bracket from the Blower. Keep the nuts and tooth washers for reassembly.
2. Attach the Snapstat to the Snapstat Retainer using two #7 x 3/8" phillips screws supplied. See fig. 25.
3. Attach the Snapstat Retainer to the Mounting Bracket using the remaining two #7 x 3/8" phillips screws as in fig. 25.
4. Locate the two raised bosses on the bottom back of the stove. The blower is mounted to the stove using these two threaded holes.
5. Use the two M6 x12 mm hex head flange bolts to attach the Mounting Bracket to the base of the stove. Orient the bracket with the Snapstat toward the front of the stove and align the two MIDDLE mounting holes on the bracket with the two threaded holes on the bottom back of the stove.
6. Position the blower with the **junction box to the REAR** of the stove and insert the two threaded studs on the blower through the rear-most holes in the blower bracket. Attach the blower to the bracket using the nuts and washers previously removed. See fig. 26.
7. Attach either black and white wire from the blower to either Snapstat terminal.

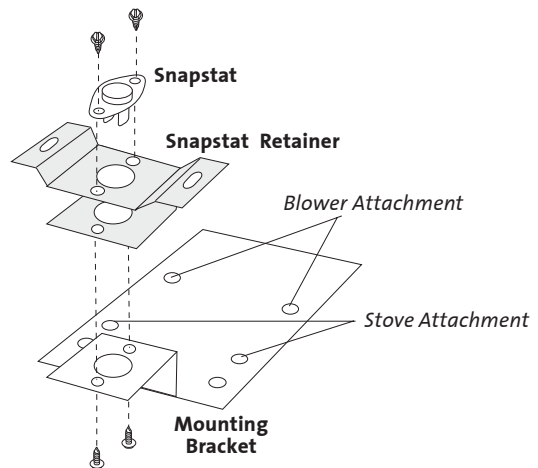


Figure 25. Snapstat / Blower Mounting Bracket assembly.

WARNING:

The blower is equipped with a three-prong (grounding) plug for protection against shock hazard and must be plugged directly into a properly grounded three-prong receptacle. Do not cut or remove the grounding prong from the plug.

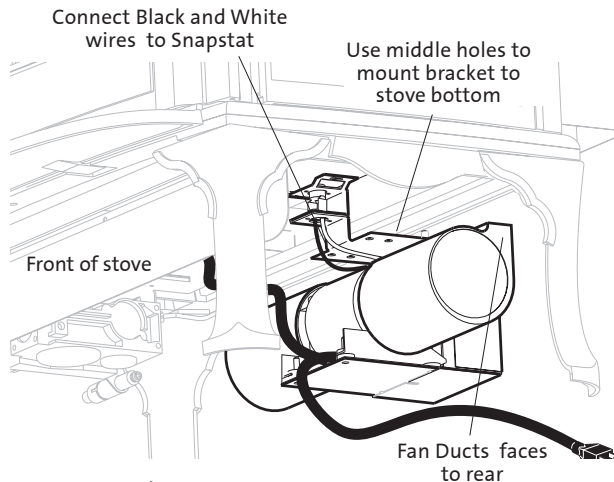


Figure 26. Blower orientation.

Connect the Wiring Harness

1. Locate the switch bracket on the back of the stove, below the burner control switch.
2. Remove the four 1/4" hex head screws that secure the switch bracket to the left rear shroud. Carefully pull the switch bracket away from the stove.
3. Use pliers to remove the blank switch cover from the bracket.
4. Insert the new HI/OFF/LO blower switch into the bracket. Feed the wires up from the blower within the left rear shroud of the unit.
5. Connect the insulated wires (from the blower) to the three leads on the HI/OFF/LO switch. **BLACK** wire to the HI position, **WHITE** wire to the OFF position, and the **RED** wire to the LO position.
6. Reattach the switch bracket to the rear shroud.

NOTE:

THE BLOWER WILL ONLY OPERATE WHEN THE SWITCH IS IN THE HI OR LOW POSITION AND ONLY WHEN THE SENSOR (SNAPSTAT) HAS BEEN HEATED BY THE STOVE AFTER THE BURNER HAS BEEN OPERATING APPROXIMATELY 10-20 MINUTES.

Operation

Familiarize yourself with the controls of the GF600 Firelight. Make sure that anyone else using the appliance is also familiar with the controls and operation procedures. Always follow the Lighting Instructions on the inside back cover of this manual and also located on the Rating Plate attached to the burner assembly.

1. Once the pilot is lit, burner operation is controlled by the rocker switch located at the left rear corner of the stove. Use the T-STAT position for the optional thermostatic or remote control functions.
2. During the first few fires, you may notice odor and/or smoke from the stove. This is normal and results from burn-off of manufacturing residue and curing of materials. You may find it helpful to provide additional ventilation and fresh air to alleviate this condition.
3. Condensation may develop on the glass when the burner is first lit. This "fog" will disappear as the heater warms up.
4. Keep the controls and the area under the appliance free of debris, vacuum this area frequently. Always keep the appliance area clear and free from combustible materials, gasoline and other flammable liquids.
If a vacuum is used during any service on the stove, ALWAYS be sure the stove is cold.
5. This appliance has a continuous burning pilot flame. Exercise caution when using products having combustible vapors. Always shut-off gas supply while servicing the stove.
6. **CAUTION: DO NOT OPERATE THIS APPLIANCE WITH THE GLASS REMOVED CRACKED OR BROKEN.** Replacement of the glass should be done by a licensed or qualified service person. Use only replacement glass provided by your authorized Jøtul dealer. Never use any substitute materials.
WARNING: OBSERVE CAUTION WITH THE GLASS. THE GLASS PANEL MAY SHATTER UNEXPECTEDLY IF STRUCK WITH AN OBJECT. ALWAYS HANDLE THE GLASS PANEL WITH CARE. WHEN SERVICING THE STOVE ALWAYS PULL THE GLASS ASSEMBLY STRAIGHT UP FOR REMOVAL.
7. Clean the glass only when necessary. Wipe surface with a clean, damp soft cloth. Follow with a dry, soft towel as desired. Take care not to scratch the glass surface.
WARNING: DO NOT USE ABRASIVE CLEANERS ON THE GLASS. NEVER CLEAN THE GLASS WHEN IT IS HOT.

Maintenance

The GF 600 DV Firelight gas stove and its venting system should be inspected before use and at least annually by a qualified service technician.

IMPORTANT:

ALWAYS TURN OFF THE GAS SUPPLY TO THE STOVE BEFORE ANY SERVICE WORK IS PERFORMED ON THE STOVE.

General cleaning: The firebox should be vacuumed out annually to remove any surface build up. Be sure to vacuum or wipe off the pilot assembly and burner orifice and burner tube. Also, when vacuuming the log set, be sure to handle it carefully as it is very fragile.

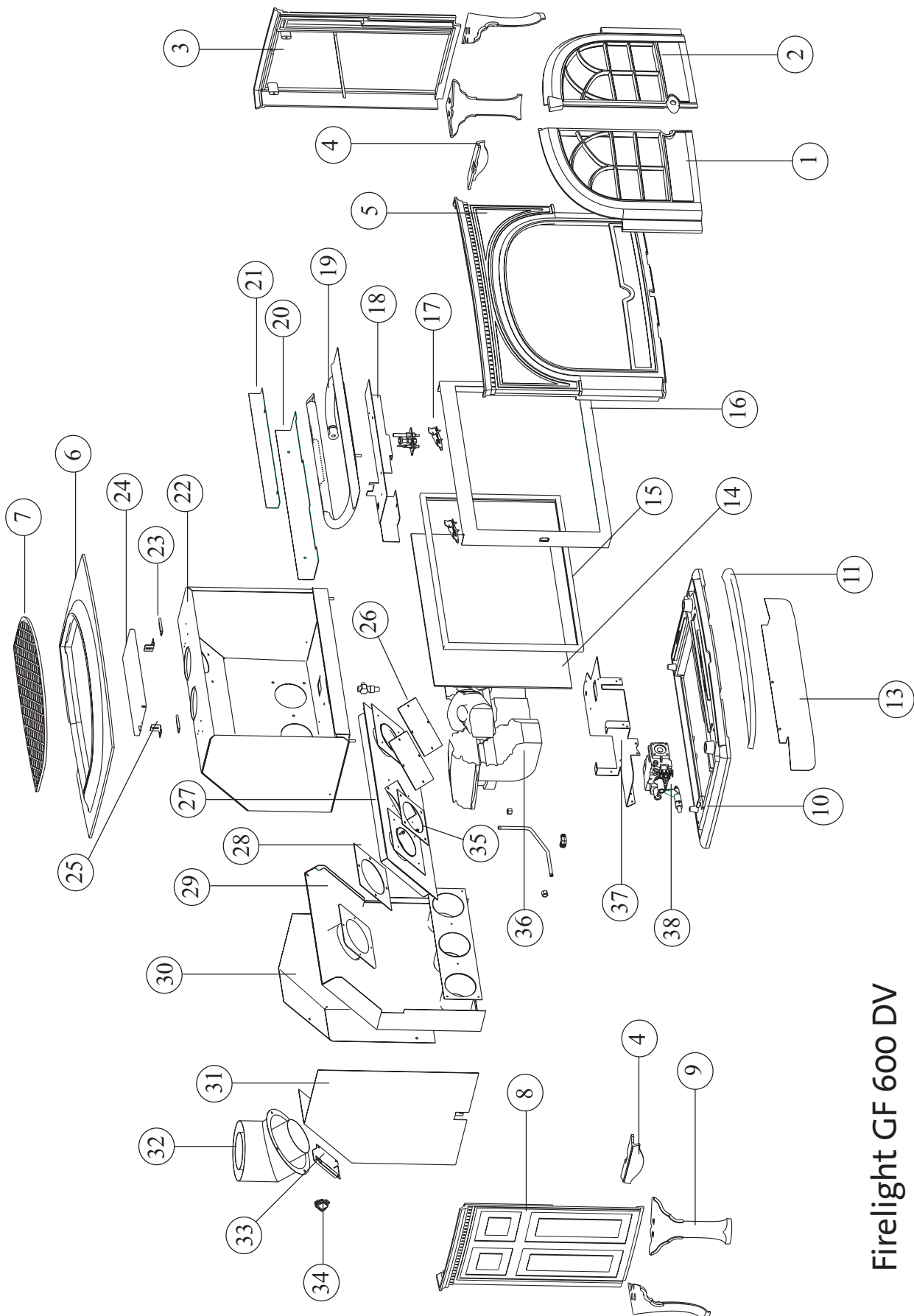
Gasket inspection: It is important that the glass gasket be inspected at least annually. Examine the rope gasket for signs of deterioration and make sure the gasket has a positive seal. This is important to prevent combustion gases from escaping into the room. Replace the gasket if necessary. Refer to the replacement parts list on page 26.

Always replace any damaged or broken parts on the GF 600 DV Firelight with JØTUL AUTHORIZED PARTS ONLY. These are available through your Jøtul dealer. Never use any substitute parts on your GF 600 DV Firelight gas stove.

RETAIN THIS MANUAL FOR REFERENCE AND MAKE IT AVAILABLE TO ANYONE USING OR SERVICING THE STOVE.

Record the following information to help your dealer determine what you will need should you ever require parts and service.

FOR YOUR RECORDS	
MODEL NAME:	GF 600 DV Firelight
SERIAL NUMBER:	_____
DATE OF PURCHASE:	_____
PURCHASED FROM:	_____
NAME OF INSTALLER:	_____
TYPE OF FUEL:	_____
FUEL CONVERSION:	_____
BY:	_____



Firelight GF 600 DV Parts Identification

Jøtul GF 600 DV Firelight Replacement Parts

Cast Iron Part	Matte Black	Blue Black	Ivory	Green	Indigo
1 Left Door	10332192	103416	103444	10332132	10332136
2 Right Door	10332092	103415	103443	10332032	10332036
3 Right Side	10331692	10331627	10331629	10331632	10331636
4 Decorative Skirt	10334292	103414	103442	10334232	10334236
5 Front Panel	10379992	10379927	10379929	10379932	10379936
6 Top Panel	10406792	10406727	10406729	10406732	10406736
7 Top Griddle	10406892	10406827	10406829	10406832	10406836
8 Left Side	10331592	10331527	10331529	10331532	10331536
9 Leg	10333292	103413	103441	10333232	10333236
10 Bottom Panel	10380992	10380927	10380929	10380932	10380936
11 Ashlip	10379692	10379627	10379629	10379632	10379636

No.	Description	Part Number
13	Valance	12960392
14	Glass Panel	12102633
15	Glass Gasket (7/16 tadpole) 9ft.	129124
16	Glass Frame	12960292
17	Glass Clips	129135
18	Front Log Support Bracket	129600
19	BurnerTube Assembly	129460
20	Rear Log Support Bracket	129633
21	Air Deflector	129606
22	Firebox	129455
23	Latch Keeper	129149
24	Relief Door	12964092
25	Relief Door Guide	129499
*	Relief Door Gasket	129319
26	Cover Plate	129497
*	Heat Exchange Gasket	129604
27	Heat Exchanger	129684
28	Exhaust Gasket	129120
29	Air Intake Manifold	129375
*	Air Intake Manifold Gasket	129119
30	Right Shroud	12963592
31	Left Shroud	12963492
32	DV Starter Collar	129126
*	Starter Collar Gasket	129118
33	Switch Cover	12964392
34	On / Off / T-stat Switch	129153
35	Heat Exchanger Gasket	129605
36	Log Set -complete	154396
	Rear Log	129695
	Front log	129686
	Left Log	129687
	Crossover Log	129688
*	Embers	129123
37	Valve bracket	129105
38	Valve, NG	3902159
	Valve, LP	3902160
39	Orifice Holder	129128
*	Burner Orifice, NG - 3.3 mm	129666
*	Burner Orifice, LP - #48	129407
*	Thermocouple	129766

No.	Description	Part Number
*	Thermopile	3094527
*	Electrode - with wire	129765
*	Pilot Assembly, NG (Standard, Pop-Top)	129471
*	Gasket, Pilot Assembly	129116
*	Pilot Orifice, NG #51	129472
*	Pilot Orifice, LP #30	129473
	Ignitor	3902573
*	Ignitor Bracket	3902576
*	Brass Valve Elbow	129129
*	Gas Line (flexible)	129462
*	Ferrule	129463
*	Nut	129464
*	Terminal block	129154
*	Wiring Harness, complete	154319
*	Top Brackets	103713
*	Blank Plug	129166
*	Stove Tool	153286
*	Exhaust Restrictor Plate	12934492
*	Air Intake Restrictor Plate	129347
*	Burner Shield	220723

* NOT SHOWN in exploded view diagram

Hardware Bag Contents

Fuel Conversion Kit - LP	154391
Exhaust Restrictor Plate	129642
Air Inlet Restrictor Plate	129347
Wall Shield	129487
Ember Bag , 6 oz.	129123

Accessories

Fuel Conversion Kit - NG	154392
High Altitude Conversion Kit - NG	154393
Wall Thermostat	750003
Remote Control	750002
Floor Bracket Kit	750304
Blower Kit	129161

**ONLY USE REPLACEMENTS PARTS
PROVIDED BY AN AUTHORIZED JØTUL DEALER.**

LIGHTING INSTRUCTIONS

FOR YOUR SAFETY, READ BEFORE LIGHTING.

WARNING:
IF YOU DO NOT FOLLOW THESE INSTRUCTIONS EXACTLY, A FIRE OR EXPLOSION MAY RESULT CAUSING PROPERTY DAMAGE, PERSONAL INJURY, OR LOSS OF LIFE.

- A.** This appliance has a pilot which must be lit by hand. When lighting the pilot, follow these instructions exactly.
- B. BEFORE LIGHTING,** smell all around the appliance area for gas. Be sure to smell next to the floor because some gas is heavier than air and will settle to the floor.

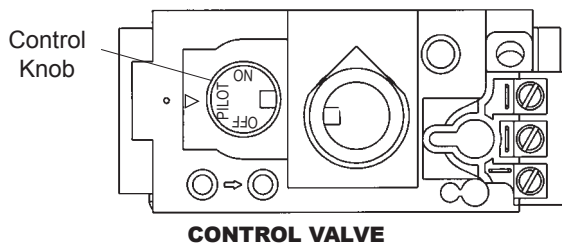
WHAT TO DO IF YOU SMELL GAS:

- Extinguish any open flame.
 - Open windows.
 - Do not light any appliance.
 - Do not touch any electrical switches.
 - Do not use any phone in your building.
 - Immediately call your gas supplier from a neighbor's phone.
- D.** Do not use this appliance if any part has been under water. Immediately call a qualified service technician to inspect the appliance and to replace any part of the control system and any gas control which has been under water.

- If your gas supplier cannot be reached, call the fire department.
- C.** Use only your hand to push in or turn the gas control knob. Never use tools. If the knob will not push in or turn by hand, do not try to repair it. Call a qualified technician. Force or attempted repair may result in a fire or explosion.

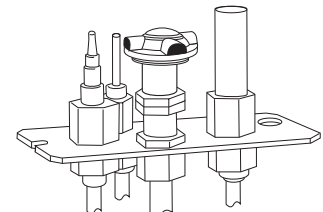
LIGHTING INSTRUCTIONS

1. STOP! Read the safety information above.
2. Access the lower controls.
3. Turn the stove ON/OFF switch to "OFF", or set the thermostat to lowest setting (if used).
4. Confirm that the gas supply line shut-off valve is open.



5. Push in gas control knob slightly and turn clockwise to "OFF".
- NOTE: Knob cannot be turned from "PILOT" to "OFF" unless the knob is pushed in slightly. Do not force.
6. Wait five (5) minutes to clear out any gas. If you then smell gas, STOP! Follow "B" in the safety information above on this page. If you do not smell gas, go to the next step.

7. Push in gas control knob slightly and turn counterclockwise to "PILOT".
8. Push in control knob all the way and hold in. Immediately light the pilot by triggering the spark ignitor (push the red button repeatedly) until pilot lights. Continue to hold the control knob in for about one minute after the pilot lights. Release knob and it should spring back. The pilot should remain lit. If it goes out, repeat Steps 5 through 8.



PILOT ASSEMBLY

- If knob does not return when released, stop and immediately call your service technician or gas supplier.
 - If pilot will not stay lit after several tries, turn the control knob to OFF and call your service technician or gas supplier.
9. Turn gas control knob counterclockwise to "ON".
 10. Turn the stove ON/OFF switch to "ON", or set thermostat (if used) to desired temperature.

TO TURN OFF GAS TO THE APPLIANCE:

1. Turn ON/OFF switch to "OFF". The pilot will remain lit for normal service.
2. For complete shutdown, turn ON/OFF switch to "OFF".
3. Access the lower controls.
4. Depress gas control knob slightly and turn clockwise to "OFF". Do not force.



Jøtul North America
400 Riverside Street
Portland, ME 04104

Jøtul ASA,
P.O. Box 1411
N-1602 Fredrikstad,
Norway

This appliance must be installed in conformance with local and national building regulations. It is important that these instructions be read and understood before beginning the installation.

Jøtul pursues a policy of continual product development. Consequently, products may differ in specification, color or type of accessories from those illustrated or described in various publications.

Jøtul vise sans cesse à améliorer ses produits. C'est pourquoi, il se réserve le droit de modifier les spécifications, couleurs et équipement sans avis préalable.

Free Manuals Download Website

<http://myh66.com>

<http://usermanuals.us>

<http://www.somanuals.com>

<http://www.4manuals.cc>

<http://www.manual-lib.com>

<http://www.404manual.com>

<http://www.luxmanual.com>

<http://aubethermostatmanual.com>

Golf course search by state

<http://golfingnear.com>

Email search by domain

<http://emailbydomain.com>

Auto manuals search

<http://auto.somanuals.com>

TV manuals search

<http://tv.somanuals.com>